



Stallion 600 RX-EFI

ASSEMBLY INSTRUCTIONS FOR TSC STORES

**We appreciate your business and cooperation
our support Line: 1855-810-8877**



UNPACKING THE UNIT

SHIPPING CRATE



- A. Remove all screws from the crate.
- B. Remove all parts from the vehicle un-package everything.

ROLL CAGE INSTALLATION

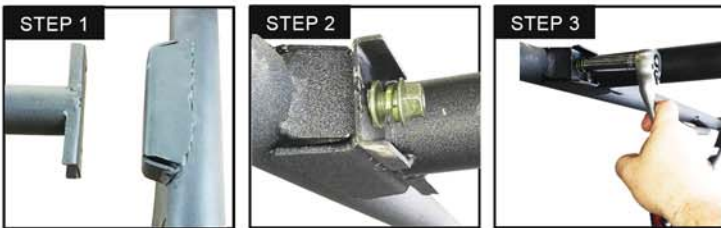
PART 1 ASSEMBLE THE ROLL BAR

Assemble all three pieces roll cage (front the top and rear) before mounting it to the unit.



IMPORTANT

Please make sure to install the washers in the correct order. first insert the lock washer and then insert the regular washer to the bolt.



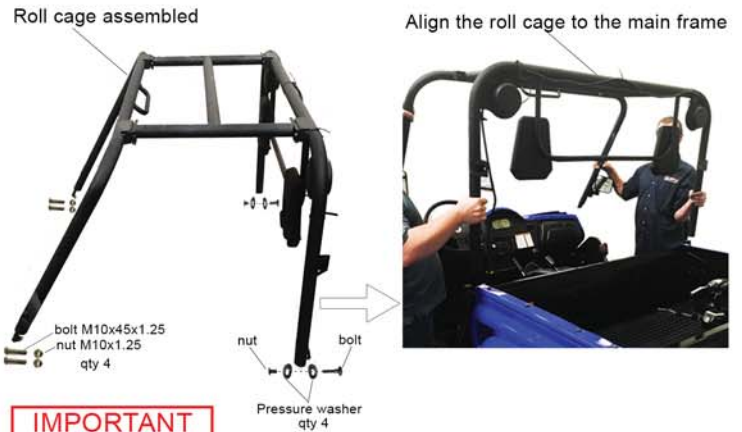
Installation

Must install washer & lock washers

1. Assemble the top roll cage to the front and rear roll bar.
2. Insert the bolt with the washers into the roll bar.
3. Tighten all eight bolts with the washers to 40 ft lbs.

PART 2 MOUNTING THE ROLL CAGE

Mount the roll cage to the main frame and install the bolts, washers and nuts without tightening.



IMPORTANT

Please note that this step requires two people to mount the roll cage on to the main frame.



Installation

Must install washer & lock washers

1. Insert bolt with washers into the rear roll bar.
2. Insert the bolt with nuts into the front roll bar and tighten the rear and front bolts to 40 ft lbs

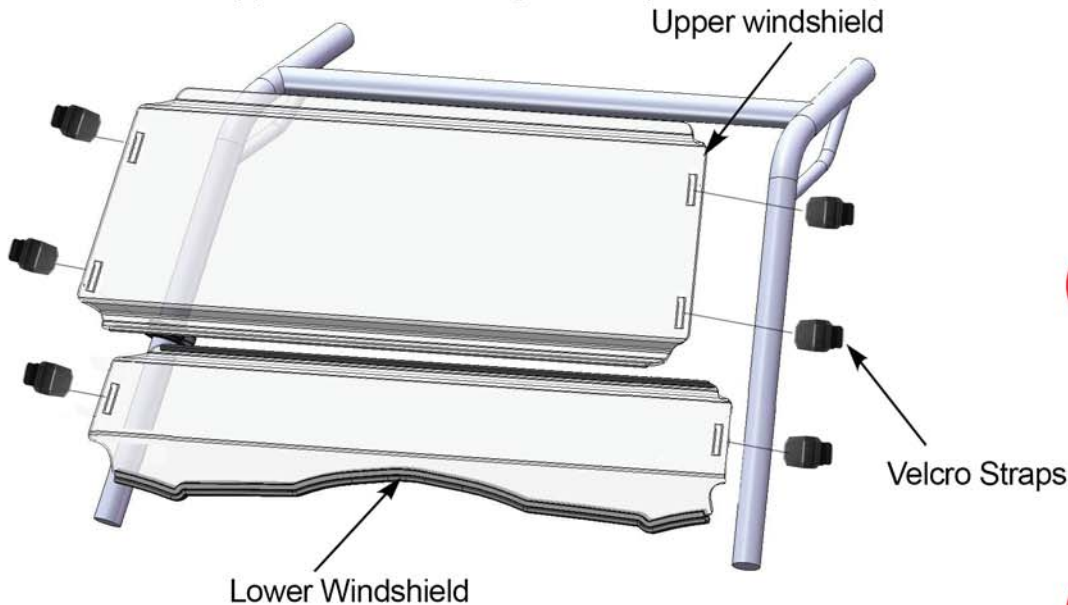


Tighten the front roll bar

WINDSHIELD INSTALLATION

Installation

Place your windshield over the front of your roll cage. First install the lower windshield using two straps and follow step 1 to 3. Then install the upper windshield using four straps and follow step 1 to 3.



1



2



3

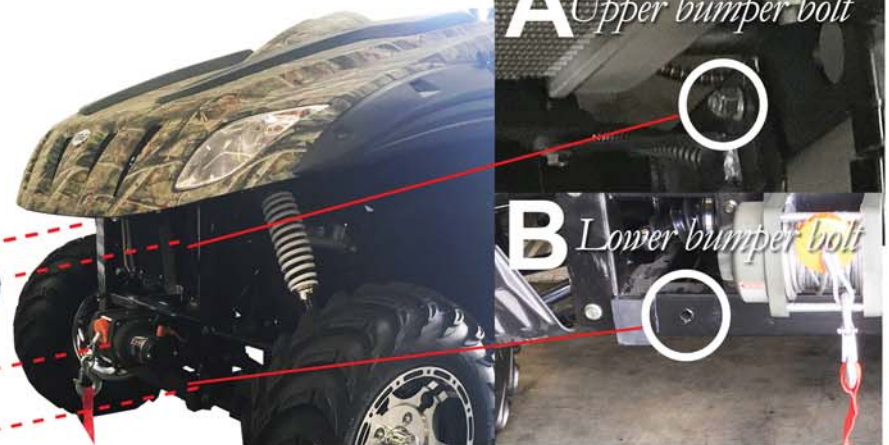
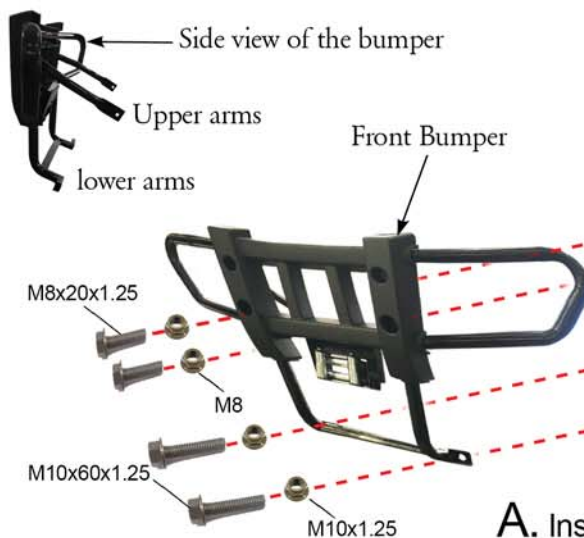


- 1 Insert the plastic part of the strap into the windshield strap port.
- 2 Wrap the velcro strap around the roll cage.
- 3 Insert the strap in the ladder lock and pull the velcro straps.

BUMPER INSTALLATION

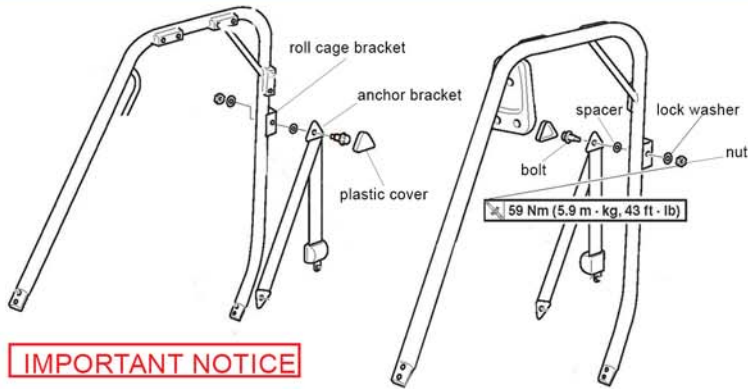
IMPORTANT

- *Must install washer & lock washers*
- *Make sure to completely tighten for safety purposes*



- A.** Insert upper Bolts (M8x20x1.25) **B.** Insert lower Bolts (M10x60x1.25)
Tighten the upper (M8) and lower (M10x1.25) nuts at (35 ft lbs)

SEAT BELT INSTALLATION



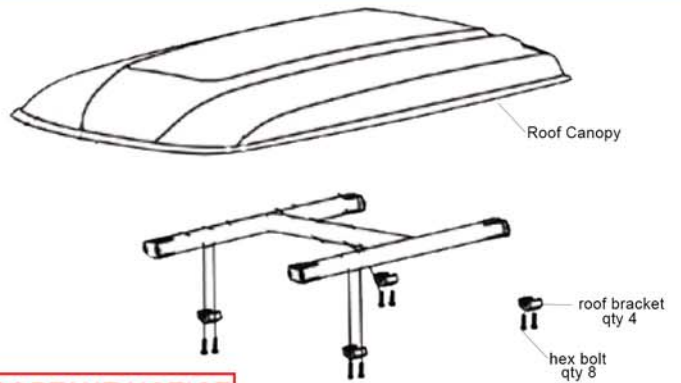
IMPORTANT NOTICE

- *Must install washer & lock washers*
- *Make sure to completely tighten for safety purposes*



1. Insert the anchor brackets and the spacer on to the bolt.
 2. Insert the bolt with the bracket and the spacer into the roll cage bracket.
 3. Insert the lock washer and tighten the nut to 43 ft. lb.
- Please follow these steps for both the passenger and driver side seat belts.

ROOF INSTALLATION



IMPORTANT NOTICE

- *Must install washer & lock washers*
- *Make sure to completely tighten for safety purposes*



1. Align the roof canopy into the roll cage.
2. Attach the roof bar bracket with 2 bolts.
3. With a **hex key wrench** tighten the hex bolt by hand.

SIDE MIRRORS INSTALLATION



NOTE: Please check for a driver and passenger side mirrors



Find the mirrors inside the glove box and assemble to the roll cage using the provided hardware.

Please tighten the hex bolt with a hex key wrench by hand.

Make sure to completely tighten

SPEAKER INSTALLATION



Locate the speaker wires behind the driver seat

When the plug has been located please connect the plug.



STEERING WHEEL INSTALLATION



IMPORTANT

****Make sure to completely tighten for safety purposes****



- 1 Remove the nut from the shaft.
- 2 When installing the steering wheel make sure the wheels are straight.

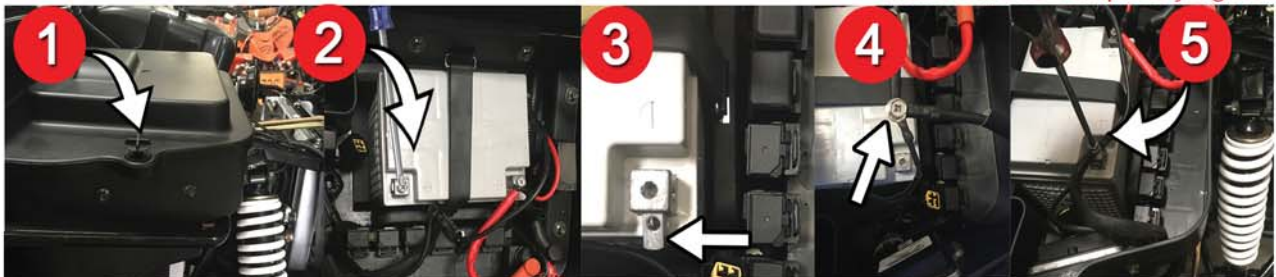
- 3 Tighten the steering wheel nut to 30ft lbs
- 4 Press the steering wheel cover

BATTERY INSTALLATION

Locate the battery box under the front hood by the passenger side.

IMPORTANT

****make sure to completely tighten****



Battery connected

- 1 To access the battery remove all 3 plastic screws by hand.
- 2 With a philps screw driver remove the battery bolt from the negative post.
- 3 Make sure to insert the lower nut on the battery post
- 4 Insert the three negative wires to the battery bolt
- 5 With a philps screw driver tighten the battery bolt.

VEHICLE SPECIFICATIONS

 ENGINE			
Engine Type	1 Cylinder, 4 Stroke, 4 Valve SOHC	Top Speed	40 MPH
Engine Displacement	594cc	Max Torque	55 n.m / 4250 rpm
Cooling System	Water/Oil Cooled	Instrument Cluster	Digital, Multi-Display
Bore x Stroke	96 mm x 82 mm	Engine Oil	SAE 10W-40
Compression Ratio	10.3:1	Lubrication	Wet Sump
Horse Power	37 HP	Intake/Air	Front Mounted Snorkel
 DIMENSIONS			
Overall L x W x H	119 x 62 x 75 in	Radiator Dimensions	L18 x W1.5 x H10 in
Seat Height	33 inch	Towing Capacity	1212 lbs
Seat Width	20 inch	Front Winch	2500 lbs
Wheel Base	76 inch	Rider Capacity	2 Person
Ground Clearance	11 inch	Rider Load Capacity	600 lbs
Front Travel	8 inch	Net Weight	1,305 lbs
Rear Travel	10.5 inch	Gross Weight	1,760 lbs
 POWERTRAIN			
Transmission	L-H-N-R	Drive System	Fully Automatic, CVT Transmission
Front Brakes (front/rear)	Dual Ventilated Hydraulic Disc	Drive System	2x4, 4x4, Differential with Lock dif
Rear Brakes	Dual Ventilated Hydraulic Disc	Steering	Rack and Pinion
Brake Rotor Dimensions	Thickness 4 mm / Outside Diameter 197 mm	Steering Wheel	Spline Shaft with 1 Nut
Drive Bar Thickness	23 mm	Front Tires	AT25 x 8 -12 Radial
Drive Axle Thickness	23 mm	Rear Tires	AT25 x 10 - 12 Radial
 FUEL IGNITION SYSTEM			
Starter System	Electrical	Fuel Capacity	7.7 Gallons
Ignition Type	EFI. (Electronic Fuel Injection)	Emission Control	TWC TB1 025
 SUSPENSION			
Front Suspension	Independent Double Swing Arm	Front Shock Dimensions	L400 mm, W41 mm
Rear Suspension	Independent Double Swing Arm	Rear Shock Dimensions	L397 mm, W41 mm
A-Arm Thickness (front/rear)	25 mm	Rear Support	Strut bar
 CARGO BED			
Operation	Manual	Dimensions	L 32 x W 51 x H 12 inches
Capacity	400 lbs	Lift Type	Hydraulic
OTHERS			
Frame	Steel	Age Restriction	16
Battery	12V x 35Amp	Climbing Ability	≤30°
Package Size	L92 x W66 x H50 in	Government Certificate	EPA/CARB