



242 DUAL MIG WELDER OPERATING MANUAL



FEATURES:

- 240A Output
- 230V Input
- Heavy-Duty torch
- Aluminum drive system
- Welds steel or aluminum with only the flip of a switch
- 2 Euro connects; 1 dedicated to spool gun
- Easy to use, increases productivity
- Digital readout for true amps
- Three trigger modes with spot weld timer
- Optional spool gun increases versatility
- Burn back and slope controls
- Spray transfer capability
- 2 gas solenoids

IDEAL FOR:

Steel, Stainless Steel, and Aluminum welding; General Fabrication, Auto Body, Farm & Ranch, Sheet Metal, Contractor, and More...

INCLUDES:

Torch with lead; Ground Cable and Clamp; Input Power Cable; Gas Hose and Regulator; Wheel Assembly Kit; Consumables Box

ENGLISH



WELDING IN AMERICA.
SINCE THE BEGINNING.



5/3/1
WARRANTY
CAT# 327

REV 09/01/15

STOP!

PLEASE DO NOT RETURN TO THE STORE

If you have questions or problems with your new welder, please call customer service at **1-800-521-6038** Monday through Friday from 7 a.m. - 5 p.m. (MST) or at www.forneyind.com/customer_service.

Please take time to register your product at www.forneyind.com/customer_service/register_your_product/

Thank you, enjoy your new welder.



FIVE WAYS TO ORDER

Web: www.forneyind.com

Phone: 800-521-6038

Fax: 970-498-9505

Mail: Forney Industries
2057 Vermont Drive
Fort Collins, CO 80525

Email: sales@forneyind.com

U.S. Warehouses:

- Fort Collins, CO
- Tipp City, OH

Forney Promise

We are committed to your success regardless of location, size or needs. We understand it is your goal to get the job done right, and we are ready to help you do just that.

President's Message

We market the highest quality tools, equipment and accessories for the do-it-yourselfer and professional. Our passion and dedication in bringing new products to the industrial and retail market, combined with our personal service, is unmatched in our industry. Our ability to listen to our customers' needs enables us to create solutions to their problems.

Our dedication to the highest quality customer service within our corporate headquarters and the service provided in the field is unequalled. We are committed to creating the best solutions to our customer's needs. Above all, our employees will provide the same respect and caring attitude within the organization as they are expected to share with every Forney customer. Our goal will be to exceed our customers' expectations through empowered people, guided by shared values and commitments.

We work hard so our customers trust us because of our integrity, teamwork and innovation of Forney products, and Forney's 80 years of unmatched product quality and an unwavering commitment to our customers.

When our customers succeed we succeed.



STEVEN G. ANDERSON, President & CEO

Copyright© 2014 Forney Industries, Inc. All rights reserved. Unauthorized reproduction and/or distribution is subject to US copyright laws.

Forney 5/3/1 Limited Warranty

Effective July 1, 2015

- 1) Limited Warranty** - Subject to the terms and conditions below, Forney Industris, Inc., Fort Collins, Colorado, warrants to its original retail purchaser that the new Forney equipment sold after the effective date of this limited warranty is free of defects in material and workmanship at the time it is shipped by Forney. This is in lieu of all other warranties, expressed or implied.
- 2) Notifications:** Please call **1-800-521-6038** with your warranty questions. You can also visit: www.forneyind.com for additional information about your new welder or plasma system.
- 3) Length of Warranty:** Within the warranty periods listed below, Forney will repair or replace any warranted parts or components that fail due to defects in material or workmanship. Warranty is effective from the date of original retail purchase. Warranty duration is as follows.
 - A) 5 years:** Original main power rectifiers only to include SCRs, diodes and discrete rectifier modules, transformers, stabilizers, and reactors.
 - B) 3 years:** Drive Systems, PC Boards, Motors, and Switches and Controls
 - C) 1 year:** MIG guns, relays, contactors, and regulators, plasma cutting torches, and accessories.
 - D) 90 days:** Replacement parts. Does not include labor.
- 4) Forney's limited warranty shall not apply to consumables such as contact tips, cutting nozzles, felt wire cleaner, drive rollers, gas diffusers, plasma torch tips and electrodes, weld cables, tips and parts that fail due to normal wear. In addition, this warranty does not extend to any damage caused by the untimely replacement or maintenance of any of the previously listed consumable parts.
- 5) Warrantor:**

Forney Industries
2057 Vermont Drive
Fort Collins, CO 80525
1-800-521-6038
www.forneyind.com
- 6) Purchaser / Warranty:** The original purchaser of the Forney Industries product. The warranty is not transferable. Forney Industries products are intended for purchase and use by persons trained and experienced in the use and maintenance of welding equipment.
- 7) What is not covered under the warranty:**
 - A) Implied warranties, including those of merchantability and fitness for a particular purpose are limited in duration to this express warranty. After this period, all risk of loss, from whatever reason, shall be on the purchaser.
 - B) Any incidental, indirect, or consequential loss, damage, or expense that may result from any defect, failure or malfunction of the Forney product.
 - C) Any failure that results from accident, purchaser's abuse, neglect or failure to operate products in accordance with instructions provided in the owner's manual(s) supplied with the product.
 - D) Pre-delivery service, i.e. assembly and adjustment.
- 8) Claim:** In the event of a warranty claim under this warranty, the exclusive remedies shall be, at Forney Industries sole option:
 - A) Repair; or
 - B) Replacement; or
 - C) Where authorized in writing by Forney Industries, the cost of repair or replacement at an authorized Forney Industries service station; or
 - D) Payment of or credit for the purchase price less reasonable depreciation based on actual use upon the return of the goods at the customer's risk and expense.
- 9) Purchaser will:**
 - A) Contact Forney's customer service at **1-800-521-6038** within 30 days of the defect or failure.
 - B) Provide dated proof of purchase (typically a purchase receipt).
 - C) Provide the serial number. Registering your welder at forneywelding.forneyind.com will speed up this process.
 - D) Deliver or ship welder to a Forney authorized service center. Freight &/or packaging costs, if any, must be borne by the purchaser

CAUTION!

BEFORE INSTALLING, OPERATING OR CARRYING OUT MAINTENANCE ON THE MACHINE, READ THE CONTENTS OF THIS MANUAL CAREFULLY, PAYING PARTICULAR ATTENTION TO THE SAFETY RULES AND HAZARDS.

In the event of these instructions not being clear, please contact your Forney Authorized Dealer or Forney Customer Service 1-800-521-6038

Safety Information

Principal Safety Standards

- Safety in Welding and Cutting, ANSI Standard Z49.1, from American Welding Society, 8669 Doral Boulevard, Suite 130, Doral, FL 33166 Safety and Health Standards, OSHA 29 CFR 1910, from Superintendent of Documents, U.S. Government Printing Office, Washington, D.C. 20402.
- Recommended Safe Practices for the Preparation for Welding and Cutting of Containers That Have Held Hazardous Substances, American Welding Society Standard AWS F4.1, from American Welding Society, 8669 Doral Boulevard, Suite 130, Doral, FL 33166
- National Electrical Code, NFPA Standard 70, from National Fire Protection Association, Batterymarch Park, Quincy, MA 02269.
- Safe Handling of Compressed Gases in Cylinders, CGA Pamphlet P-1, from Compressed Gas Association, 1235 Jefferson Davis Highway, Suite 501, Arlington, VA 22202.
- Code for Safety in Welding and Cutting, CSA Standard W117.2, from Canadian Standards Association, Standards Sales, 178 Rexdale Boulevard, Rexdale, Ontario, Canada M9W 1R3.
- Safe Practices For Occupation And Educational Eye And Face Protection, ANSI Standard Z87.1, from American National Standards Institute, 1430 Broadway, New York, NY 10018.
- Cutting And Welding Processes, NFPA Standard 51B, from National Fire Protection Association, Batterymarch Park, Quincy, MA 02269

California Proposition 65 Warning

This product may contain chemicals known to the State of California to cause cancer, birth defects and other reproductive harm (CA. Prop 65). Wash hands after use.

EMF Information

Welding or cutting current, as it flows through the welding or cutting cables, will cause electromagnetic fields. There has been and still is some concern about such fields. However, after examination the committee of the National Research Council concluded that: "The body of evidence, in the committee's judgment, has not demonstrated that exposure to power-frequency electric and a magnetic field is a human health hazard." However, studies are still going forth and evidence continues to be examined. Until the final conclusions of the research are reached, you may wish to minimize your exposure to electromagnetic fields when welding or cutting.

To reduce magnetic fields in the workplace, use the following procedures:

1. Keep cables close together by twisting or taping them.
2. Arrange cables to one side and away from the operator.
3. Do not coil or drape cables around your body.
4. Keep welding or cutting power source and cables as far away from operator as practical.
5. Connect work clamp to work piece as close to the cut or weld as possible.

ABOUT PACEMAKERS & HEARING AIDS:

Pacemaker & Hearing Aid wearers consult your doctor first. If cleared by your doctor, then following the above procedures is recommended.

Welding processes of any kind can be dangerous not only to the operator but to any person situated near the equipment, if safety and operating rules are not strictly observed.



THE WELDING ARC PRODUCES VERY BRIGHT ULTRAVIOLET AND INFRARED LIGHT. THESE ARC RAYS WILL DAMAGE YOUR EYES AND BURN YOUR SKIN IF YOU ARE NOT PROPERLY PROTECTED.

To reduce the risk of injury from arc rays, read, understand, and follow the safety instructions. In addition, make certain that anyone else that uses this welding equipment, or is a bystander in the welding area understands and follows these safety instructions as well. Helmets and filter should conform to ANZI 287.1 standards.

- Do not look at an electric arc without proper protection. A welding arc is extremely bright and intense and, with inadequate or no eye protection, the retina can be burned, leaving a permanent dark spot in the field of vision. A shield or helmet with a #10 shade filter lens (minimum) must be used.
- Do not strike a welding arc until all bystanders and you (the welder) have welding shields and/or helmets in place.
- Do not wear a cracked or broken helmet and replace any cracked or broken filter lenses immediately.
- Do not allow the uninsulated portion of the wire feed gun to touch the ground clamp or grounded work to prevent an arc flash from being created on contact.
- Provide bystanders with shields or helmets fitted with an appropriate shade filter lens.
- Wear protective clothing. The intense light of the welding arc can burn the skin in much the same way as the sun, even through light-weight clothing. Wear dark clothing of heavy material. The shirt worn should be long sleeved and the collar kept buttoned to protect chest and neck.
- Protect against reflected arc rays. Arc rays can be reflected off shiny surfaces such as a glossy painted surface, aluminum, stainless steel, and glass. It is possible for your eyes to be injured by reflected arc rays even when wearing a protective helmet or shield. If welding with a reflective surface behind you, arc rays can bounce off the surface and off the filter lens. It can get inside your helmet or shield and into your eyes. If a reflective background exists in your welding area, either remove it or cover it with something non-flammable and non-reflective. Reflective arc rays can also cause skin burn in addition to eye injury.
- Flying sparks can injure. Wear proper safety equipment to protect eyes and face. Shape tungsten electrode on grinder wearing proper protection and in a safe location. Keep flammables away and prevent fire from flying sparks.



FUMES, GASSES, AND VAPORS CAN CAUSE DISCOMFORT, ILLNESS, AND DEATH!

To reduce the risk, read, understand, and follow the safety instructions. In addition, make certain that anyone else that uses this welding equipment or is a bystander in the welding area, understands and follows these safety instructions as well.

- Read and understand manufacturers SDS and MSDS.
- Do not weld in an area until it is checked for adequate ventilation as described in ANSI standard Z49.1. If ventilation is not adequate to exchange all fumes and gasses generated during the welding process with fresh air, do not weld unless you (the welder) and all bystanders are wearing air-supplied respirators.
- Do not heat metals coated with, or that contain, materials that produce toxic fumes (such as galvanized steel), unless the coating is removed. Make certain the area is well ventilated, and the operator and all bystanders are wearing air-supplied respirators.
- Do not weld, cut or heat lead, zinc, cadmium, mercury, beryllium, antimony, cobalt, manganese, selenium, arsenic, copper, silver, barium, chromium, vanadium, nickel, or similar

metals without seeking professional advice and inspection of the ventilation of the welding area. These metals produce extremely toxic fumes which can cause discomfort, illness and death.

- Do not weld or cut in areas that are near chlorinated solvents. Vapors from chlorinated hydrocarbons, such as trichloroethylene and perchloroethylene, can be decomposed by the heat of an electric arc or its ultraviolet radiation. These actions can cause phosgene, a highly toxic gas, to form, along with other lung and eye-irritating gasses. Do not weld or cut where these solvent vapors can be drawn into the work area or where the ultraviolet radiation can penetrate to areas containing even very small amounts of these vapors.
- Do not weld in a confined area unless it is being ventilated or the operator (and anyone else in the area) is wearing an air-supplied respirator.
- Stop welding if you develop momentary eye, nose, or throat irritation as this indicates inadequate ventilation. Stop work and take necessary steps to improve ventilation in the welding area. Do not resume welding if physical discomfort persists.

Fire Prevention



FIRE OR EXPLOSION CAN CAUSE DEATH, INJURY, AND PROPERTY DAMAGE!

To reduce these risks, read, understand and follow the safety instructions. In addition, make certain that anyone else that uses this welding equipment, or is a bystander in the welding area, understands and follows these safety instructions as well. Remember: arc welding by nature produces sparks, hot spatter, molten metal drops, hot slag and hot metal parts that can start fires, burn skin and damage eyes.

- Do not wear gloves or other clothing that contains oil, grease, or other flammable substances.
- Do not wear flammable hair preparations.
- Do not touch the hot weld bead or weld puddle until fully cooled.
- Do not weld in an area until it is checked and cleared of combustible and/or flammable materials. Be aware that sparks and slag can fly 35 feet and can pass through small cracks and openings. If work and combustibles cannot be separated by a minimum of 35 feet, protect against ignition with suitable, snug-fitting, fire resistant, covers or shields.
- Do not weld on walls until checking for and removing combustibles touching the other side of the walls.
- Do not weld, cut, or perform other such work on used barrels, drums, tanks, or other containers that had a flammable or toxic substance. The techniques for removing flammable substance and vapors, to make a used container safe for welding or cutting, are quite complex and require special education and training.
- Do not strike an arc on a compressed gas or air cylinder. Doing so will create a brittle area that can result in a violent rupture immediately or at a later time as a result of rough handling.
- Do not weld or cut in an area where the air may contain flammable dust (such as grain dust), gas, or liquid vapors (such as gasoline).
- Do not handle hot metal, such as the work piece or electrode stubs, with bare hands.
- Wear leather gloves, heavy long sleeve shirt, cuffless pants, high-topped shoes, helmet, and cap. As necessary, use additional protective clothing such as leather jacket or sleeves, fire resistant leggings, or apron. Hot sparks or metal can lodge in rolled up sleeves, pant cuffs, or pockets. Sleeves and collars should be kept buttoned and pockets eliminated from the shirt front.
- Have fire extinguisher equipment handy for immediate use. A portable chemical fire extinguisher, type ABC, is recommended.
- Wear ear plugs when welding overhead to prevent spatter or slag from falling into ear.
- Make sure welding area has a good, solid, safe floor, preferably concrete or masonry, not tiled, carpeted, or made of any other flammable material.

- Protect flammable walls, ceilings, and floors with heat resistant covers or shields.
- Check welding area to make sure it is free of sparks, glowing metal or slag, and flames before leaving the welding area.
- Wear garments free of oil or other flammable substances such as leather gloves, thick cotton shirts with no synthetic materials, cuffless trousers, closed toed shoes. Keep long hair pulled back.
- Remove any combustibles such as lighters and matches before doing any welding.
- Follow requirements in OSHA and NFPA for hot work and have an extinguisher nearby.

High Frequency Radiation

- High Frequency (H.F) can interfere with radio navigation, safety services, computers and communication equipment.
- It is the user's responsibility to have a qualified electrician promptly correct any interference problem resulting from the installation. Electrician should regularly check and maintain installation.
- Stop using the equipment if notified by the FCC about interference.
- Keep H.F. source doors and panels tightly shut and keep spark gaps at correct setting.

Arc Welding

- Computers and computer driven equipment can be harmed with electromagnetic energy.
- Be sure all equipment is compatible with electromagnetic energy.
- Keep welding cables short to reduce interference.
- Follow manual to install and ground machine.
- If interference continues, shield the work area or move the welding machine.

Electric Shock



WARNING: ELECTRIC SHOCK CAN KILL! To reduce the risk of death or serious injury from shock, read, understand, and follow the safety instructions. In addition, make certain that anyone else who uses this welding equipment, or who is a bystander in the welding area understands and follows these safety instructions as well.

IMPORTANT! TO REDUCE THE RISK OF DEATH, INJURY, OR PROPERTY DAMAGE, DO NOT ATTEMPT OPERATION of this welding equipment until you have read and understand the following safety summary.

- Do not, in any manner, come into physical contact with any part of the welding current circuit. The welding current circuit includes:
 - a. the work piece or any conductive material in contact with it,
 - b. the ground clamp,
 - c. the electrode or welding wire,
 - d. any metal parts on the electrode holder, or wire feed gun.
- Do not weld in a damp area or come in contact with a moist or wet surface.
- Do not attempt to weld if any part of clothing or body is wet.
- Do not allow the welding equipment to come in contact with water or moisture.
- Do not drag welding cables, wire feed gun, or welder power cord through or allow them to come into contact with water or moisture.
- Do not touch welder, attempt to turn welder on or off if any part of the body or clothing is moist or if you are in physical contact with water or moisture.
- Do not attempt to plug the welder into the power source if any part of body or clothing is moist, or if you are in physical contact with water or moisture.
- Do not connect welder work piece clamp to or weld on electrical conduit.

- Do not alter power cord or power cord plug in any way.
- Do not attempt to plug the welder into the power source if the ground prong on power cord plug is bent over, broken off, or missing.
- Do not allow the welder to be connected to the power source or attempt to weld if the welder, welding cables, welding site, or welder power cord are exposed to any form of atmospheric precipitation, or salt water spray.
- Do not carry coiled welding cables around shoulders, or any other part of the body, when they are plugged into the welder.
- Do not modify any wiring, ground connections, switches, or fuses in this welding equipment.
- Wear welding gloves to help insulate hands from welding circuit.
- Keep all liquid containers far enough away from the welder and work area so that if spilled, the liquid cannot possibly come in contact with any part of the welder or electrical welding circuit.
- Replace any cracked or damaged parts that are insulated or act as insulators such as welding cables, power cord, or electrode holder immediately.

Noise



Noise can cause permanent hearing loss. Welding processes can cause noise levels that exceed safe limits. You must protect your ears from loud noise to prevent permanent loss of hearing.

- To protect your hearing from loud noise, wear protective ear plugs and/or ear muffs.
- Noise levels should be measured to be sure the decibels (sound) do not exceed safe levels.

Additional Safety Information

For additional information concerning welding safety, refer to the following standards and comply with them as applicable.

- ANSI Standard Z49.1 - SAFETY IN WELDING AND CUTTING - obtainable from the American Welding Society, 550 NW Le Jeune Road, Miami, FL 33126 Telephone (800) 443-9353, Fax (305) 443-7559 - www.amweld.org or www.aws.org
- ANSI Standard Z87.1 - SAFE PRACTICE FOR OCCUPATION AND EDUCATIONAL EYE AND FACE PROTECTION - obtainable from the American National Standards Institute, 11 West 42nd St., New York, NY 10036 Telephone (212) 642A900, Fax (212) 398-0023 - www.ansi.org
- NFPA Standard 518 - CUTTING AND WELDING PROCESS - obtainable from the National Fire Protection Association, 1 Batterymarch Park, P.O. Box 9101, Quincy, MA 02269-9101 Telephone (617) 770-3000 Fax (617) 770-0700 - www.nfpa.org
- OSHA Standard 29 CFR, Part 1910, Subpart Q., WELDING, CUTTING AND BRAZING - obtainable from your state OSHA office or U.S. Dept. of Labor OSHA, Office of Public Affairs, Room N3647, 200 Constitution Ave., Washington, DC 20210 - www.osha.gov
- CSA Standard W117.2 - Code for SAFE TY IN WELDING AND CUTTING. - obtainable from Canadian Standards Association, 178 Rexdale Blvd., Etobicoke, Ontario M9W 1R3 - www.csa.ca
- American Welding Society Standard A6.0. WELDING AND CUTTING CONTAINERS WHICH HAVE HELD COMBUSTIBLES. - obtainable from the American Welding Society, 550 NW Le Jeune Road, Miami, FL 33126 Telephone (800) 443-9353, Fax (305) 443-7559 - www.amweld.org or www.aws.org

Table of Contents

WARRANTY	4
SAFETY INFORMATION	5
PRINCIPAL SAFETY STANDARDS	5
CALIFORNIA PROPOSITION 65 WARNING.....	5
EMF INFORMATION.....	5
PERSONAL PROTECTION	6
FIRE PREVENTION.....	7
HIGH FREQUENCY RADIATION	8
ARC WELDING	8
ELECTRIC SHOCK.....	8
NOISE.....	9
ADDITIONAL SAFETY INFORMATION	9
TABLE OF CONTENTS	10
INSTALLATION	11
LOCATION	11
VENTILATION	11
MAIN SUPPLY VOLTAGE REQUIREMENTS	11
SAFETY INSTRUCTIONS	11
ASSEMBLY	12
HANDLE AND WHEELS ASSEMBLY (FIG. 1).....	12
TORCH LEAD AND SPOOL GUN ASSEMBLY (FIG. 2)	12
GAS CYLINDER AND REGULATOR CONNECTION	12
SHIELDING GAS GUIDE	13
LOAD WIRE	13
REPLACING THE WIRE LINER	14
HOW TO CHOOSE THE WIRE LINER FOR DIRECT AND EURO CONNECTION TORCHES.....	15
ARRANGEMENT FOR WELDING WITH SPOOL GUN.....	15
SETTING THE WIRE DRIVE TENSION.....	16
ADJUSTING THE SPOOL POSITION	17
WELDER CONTROLS	17
FRONT PANEL OPERATION	17
BACK PANEL OPERATION	18
TECHNICAL DATA INFORMATION GUIDE	19
WELDING PREPARATION	19
MIG (GMAW) WELDING USING SHIELDING GAS.....	19
FACTORS TO CONSIDER FOR BEST WELDING RESULTS	19
ALUMINUM WELDING SET UP.....	19
PARTS LIST	20
PARTS DIAGRAM	22
MIG GUN TORCH SPARE PARTS LIST	23
WIRING DIAGRAM	24
USER NOTES	25

Installation

Location

Be sure to locate the welder according to the following guidelines:

- In areas free from moisture and dust.
- In areas with ambient temperature between 30° to 90°F.
- In areas free from oil, steam and corrosive gases.
- In areas not subjected to abnormal vibration or shock.
- In areas not exposed to direct sunlight or rain.
- Place at a distance of 12" or more from walls or similar obstructions that could restrict natural air flow for cooling.

Ventilation

Since the inhalation of welding fumes can be harmful, ensure that the welding area is effectively ventilated.

Main Supply Voltage Requirements

Before you make any electrical connection, make sure the supply voltage and frequency available are those stated in the ratings label of your welder.

The main supply voltage should be within $\pm 10\%$ of the rated main supply voltage. Too low a voltage may cause poor welding performance. Too high a supply voltage will cause components to overheat and possibly fail. The welder outlet must be:

- Correctly installed, if necessary, by a qualified electrician.
- Correctly grounded (electrically) in accordance with local regulations.
- Connected to the correct size electric circuit.

NOTES:

- Periodically inspect supply cable for any cracks or exposed wires. If it is not in good condition, have it repaired by a service center.
- Do not squash the supply cable with other machines. It could be damaged and cause electric shock.
- Keep the supply cable away from heat sources, oils, solvents or sharp edges.
- In case you are using an extension cord, try to keep it straight, and untangled to avoid overheating.
- Do not pull violently on the input power cable to disconnect it from supply outlet.

Safety Instructions

For your safety, before connecting the power source to the line, closely follow these instructions:

- An adequate two-pole switch must be inserted before the main outlet. This switch must be equipped with time-delay fuses.
- When working in a confined space, the welder must be kept outside the welding area and the ground cable should be fixed to the workpiece. Never work in a damp or wet confined space.
- Do not use damaged input or welding cables.
- The welding torch should never be pointed at the operator's or at other people's bodies.
- The welder must never be operated without its panels attached. This could cause serious injury to the operator and could damage the equipment

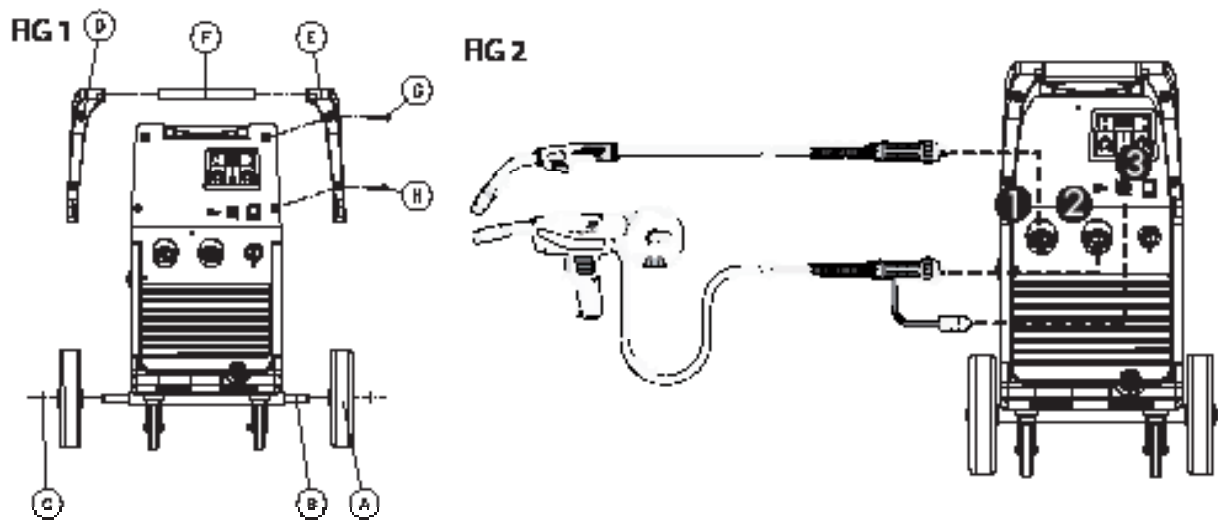
Assembly

Handle and Wheels Assembly (Fig. 1)

- Unpack the welder.
- Insert the axle (B) through the holes at the rear of the welder and slide a wheel (A) on to each end followed by the retaining washers (C).
- Assemble the plastic handle (F) inside the plastic support (D-E).
- Assemble the plastic support using the screw provided (G-H).

Torch Lead and Spool Gun Assembly (Fig. 2)

- Screw the MIG torch lead into the socket (1) on the front of the welder, be careful not to damage the contacts. Secure by hand screwing in the threaded connection.
- Screw the Spool Gun lead into the socket (2) as well as the 7-pin connector (3).



Gas Cylinder and Regulator Connection

The bottle (not supplied) should be located at the rear of the welder, securely held in position by the chain provided. For safety, and economy, ensure the regulator is fully closed, (turned counterclockwise) when not welding and when fitting or removing the gas cylinder.

- Turn the regulator adjustment knob counterclockwise to ensure the valve is fully closed.
- Screw the gas regulator fully down on the gas bottle valve, and fully tighten.
- Connect the gas hose to the regulator securing with clip/nut provided.
- Open the cylinder valve, then set the gas flow to approx. 20-30 CFH on the regulator.
- Operate the torch trigger to ensure that the gas is flowing through the torch.



WARNING: CYLINDERS ARE HIGHLY PRESSURIZED. HANDLE WITH CARE.

Serious accidents can result from improper handling or misuse of compressed gas cylinders. Do not drop the cylinder, knock it over, expose it to excessive heat, flames or sparks. Do not strike it against other cylinders.

Shielding Gas Guide

METAL	GAS	NOTE
Mild Steel	CO2 Argon + CO2 Argon + CO2 + Oxygen	Argon controls spatter Oxygen improves arc stability
Aluminium	Argon Argon + Helium	Arc stability, good fusion and minimum spatter. Higher heat input suitable for heavy sections. Minimum porosity.
Stainless Steel	Argon + CO2 + Oxygen Argon + Oxygen	Arc stability. Minimum spatter.
Copper, Nickel & Alloys	Argon Argon + Helium	Suitable for light gauges because of low flowability of the weld pool. Higher heat input suitable for heavy sections.

Contact the technical service of your gas supplier to know the percentages of the different gasses which are the most suitable to your application.

Load Wire

Your MIG welder is designed to accept either 4", 8" or 12" wire spools of mild steel, stainless steel or aluminum according to the type of metal you wish to weld. Wire spools are not supplied with the unit and must be purchased separately.

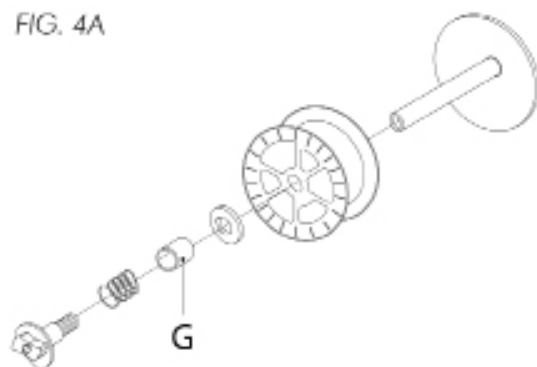
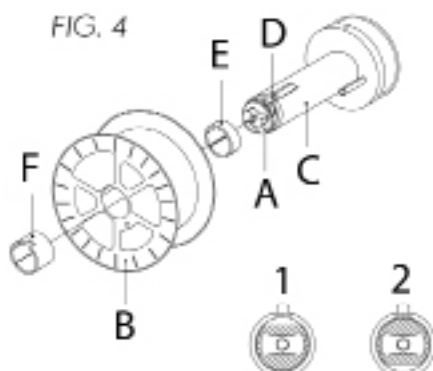


BE SURE THE GAS AND ELECTRICAL SUPPLIES ARE DISCONNECTED. BEFORE PROCEEDING, REMOVE THE NOZZLE AND THE CONTACT TIP FROM THE TORCH.

- Open the side panel. Loosen the nut (A) of the spool holder (position 1) (brake drum). Remove the spacer (E). In the case you are replacing the wire spool, extract it by pushing the snap tongue (D) (Fig.4).
- Remove the plastic protection from the spool. Place it on the spool holder. Mount the spacer again (only for 8" spools) and tighten the lock nut (A).

Your MIG welder can also accept 4" wire spools. To mount 4" spools:

- Remove the wire spool (B) from the spool holder (C).
- Loosen the nut (A), remove the spring and the washer; remove the spool holder (C) from the pivot.
- Insert on the pivot the 4" wire spool; Mount the washer, the spacer (G) and the spring.
- Tighten the lock nut.





TIGHTEN NUT TO APPROPRIATE TIGHTNESS. EXCESSIVE PRESSURE STRAINS THE WIRE FEEDING MOTOR. TOO LITTLE PRESSURE DOES NOT ALLOW THE WIRE SPOOL TO STOP IMMEDIATELY.

- Loosen and lower the plastic knob (A) (Fig.5). Release the upper roll (B) of the feeder. Extract the wire from the torch liner.
- When the wire is disconnected, grasp it with pliers so that it cannot exit from the spool. If necessary, straighten it before inserting it in the wire input guide (C). Insert the wire on the lower roll (D) and in the torch liner (E).



WARNING: Keep the torch straight when feeding a new wire through the liner, make sure the wire is cut cleanly (no burrs or angles) and that at least 1/2" from the end is straight (no curves). Failure to follow these instructions could cause damage to the liner.

- Lower the upper roll (B) and place the knob (A). Tighten slightly. If tightened too much, the wire gets locked and could cause motor damage. If not tightened enough, the rolls will not feed the wire.



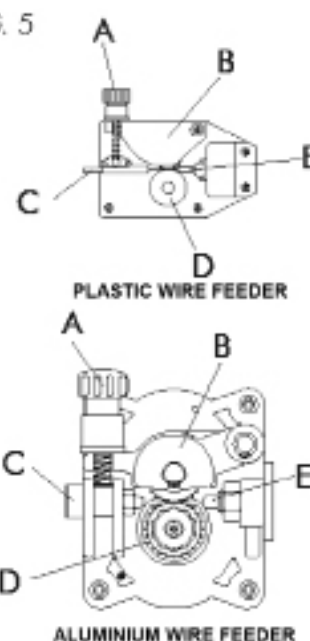
WHEN CHANGING THE WIRE DIAMETER BEING USED, OR REPLACING THE WIRE FEED ROLL, BE SURE THAT THE CORRECT GROOVE FOR THE WIRE DIAMETER SELECTED IS INSIDE, CLOSEST TO THE MACHINE. THE WIRE ROLL IS DRIVEN BY THE INSIDE GROOVE. FEED ROLLS ARE MARKED ON THE SIDE IDENTIFYING THE GROOVE NEAREST THAT SIDE.

- Close the side panel of the machine. Connect the power supply cable to the outlet. Turn on the switch. Press the torch switch. The wire fed by the wire feeding motor at variable speed must slide through the liner. When it exits from the torch neck, release the torch switch. Turn off the machine. Mount the contact tip and the nozzle.



WHEN CHECKING THE CORRECT EXIT OF THE WIRE FROM THE TORCH DO NOT BRING YOUR FACE NEAR THE TORCH. YOU MAY RUN THE RISK OF BEING WOUNDED BY THE OUTGOING WIRE. DO NOT BRING YOUR FINGERS CLOSE TO THE FEEDING MECHANISM WHEN WORKING! THE ROLLS, WHEN MOVING, MAY CRUSH THE FINGERS PERIODICALLY, CHECK THE ROLLS. REPLACE THEM WHEN THEY ARE WORN AND COMPROMISE THE REGULAR FEEDING OF THE WIRE.

FIG. 5



Replacing the Wire Liner



BEFORE PERFORMING THIS PROCEDURE, BE SURE THE GAS SUPPLY LINE AND INPUT POWER CABLE ARE DISCONNECTED.

- Disconnect the torch from the machine.
- Place it on a flat surface and carefully remove the brass nut (1).
- Pull the liner out of the hose.
- Install the new liner and mount the brass nut (1) again.

In case you are replacing a Teflon or graphite wire liner, follow these instructions:

- Install the new liner and insert the wire liner collet (3) and the O ring (4).
- Mount the brass nut (1).
- Cut the wire liner close to the brass nut.

WARNING: THE LENGTH OF THE NEW WIRE LINER MUST BE THE SAME AS THE LINER YOU HAVE JUST PULLED OUT OF THE HOSE.

- Connect the torch to the machine and install the wire into the feeding system.

How to Choose the Wire Liner for Direct and Euro Connection Torches

- There are basically 2 types of wire liners: Steel wire liners and Teflon wire liners.
- Steel wire liners can be coated or not coated. Coated wire liners are used for air cooled torches.
- Teflon wire liners are recommended for aluminum welding as they allow a smooth feeding of the wire.

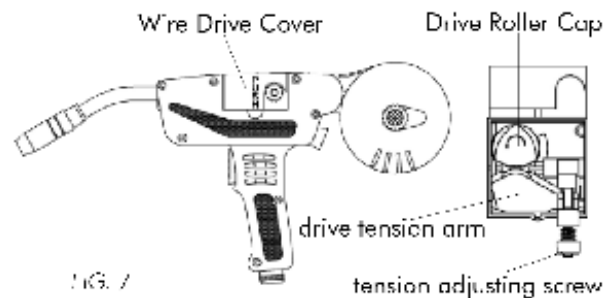
Arrangement for Welding with Spool Gun



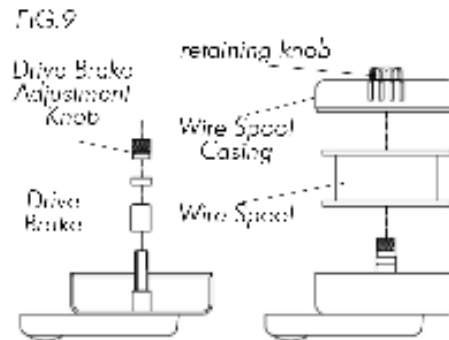
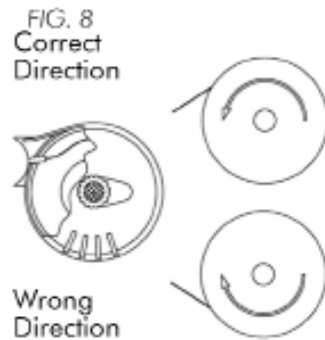
WARNING: ELECTRIC SHOCK CAN KILL! ALWAYS TURN THE POWER SWITCH OFF AND UNPLUG THE POWER CORD FROM THE AC POWER SOURCE BEFORE INSTALLING WIRE.

Before installing any welding wire into the unit, the proper sized groove must be placed into position on the wire drive mechanism. Adjust the drive roller according to the following steps:

1. Open the wire drive cover on the spool gun.
2. Remove the drive tension by loosening the tension adjusting screw and lifting the drive tension adjuster up, away from the drive tension arm. Pull the drive tension arm away from the drive roller.
3. Rotate the drive roller cap counterclockwise and remove it from the drive wire drive cover drive roller cap FIG. 7 tension adjusting screw drive tension arm roller. Pull the drive roller off of the drive roller shaft. **Note:** The drive roller has two wire size (.030", .035") grooves built into it.
4. Find the side of the drive roller that is stamped with the same wire diameter as that of the wire being installed. Push the drive roller onto the drive roller shaft, with the side stamped with the desired wire diameter facing you.
5. Reinstall the drive roller cap and lock in place by turning it clockwise.
6. Remove the nozzle and contact tip from the end of the gun assembly.
7. Open the wire spool casing, located at the rear of the spool gun, by turning the retaining knob counterclockwise.
8. Unwrap the spool of wire and find the end of the wire.
9. After checking to make sure your welder is disconnected from the AC power source, free the leading end of the wire from the spool, but do not let go of it until told to do so, or the wire will unspool itself.
10. Using a wire cutter, cut off the bent portion at the end of the wire so that you are left with a straight section of wire.
11. Unroll about 6" of welding wire from the wire spool.
12. Insert the leading end of the wire into the inlet guide tube (located in the Wire Spool Casing). Then push it across the drive roller and into the gun assembly about 6".



13. Line the wire up in the appropriate top groove of the drive roller, then push the drive tension arm against the drive roller.



14. Flip the quick release drive tensioner back into position on the drive tensioner arm.
15. Tighten (turn clockwise) the drive tension adjusting knob until the tension roller is applying enough force on the wire to prevent it from slipping out of the drive assembly.
16. Let go of the wire.
17. Place the spool on the spindle in such a manner that when the wire comes off the spool, it will look like the top illustration in Figure 10 on page 14. The welding wire should always come off the top of the spool into the drive mechanism. **TECHNICAL NOTE:** The purpose of the drive brake is to cause the spool of wire to stop turning at nearly the same moment wire feeding stops.
18. Set the Drive Brake tension. **Note:** It is necessary to release the Drive Tensioner Arm while you are setting the Drive Brake Tension. Make sure you return the Drive Tension Arm to its locked position after adjusting the Drive Brake Tension.
- With one hand, turn the wire spool counterclockwise. This will cause the wire to feed through the gun assembly continue turning it while adjusting the tension on the spool.
 - With your free hand, tighten (turn clockwise) the drive brake adjustment knob.
 - Stop tightening when drag is felt on the wire spool that you are turning. Then stop hand-turning the wire spool. **NOTE:** If too much tension is applied to the wire spool, the wire will slip on the drive roller or will not be able to feed at all. If too little tension is applied, the spool of wire will want to unspool itself. Readjust the drive brake tension as necessary to correct for either problem.
19. Trim the wire sticking out the end of the spool gun to about 1/2" in length.
20. Select a contact tip stamped with the same diameter as the wire being used.
21. Slide the contact tip over the wire protruding from the end of the gun. Thread the contact tip into the end of the gun and hand-tighten securely.
22. Install the nozzle on the gun assembly. For best results, coat the inside of the nozzle with anti-stick spray or gel.
23. Cut off the excess wire that extends past the end of the nozzle.
24. Replace the wire spool casing cover and tighten adjustment knob by turning it clockwise.
25. Connect the welder power cord to the AC power source. Turn the welder ON. Set the VOLTAGE switch.

Setting the Wire Drive Tension



WARNING: ARC FLASH CAN INJURE EYES! TO REDUCE THE RISK OF ARC FLASH, MAKE CERTAIN THAT THE WIRE COMING OUT OF THE END OF THE GUN DOES NOT COME IN CONTACT WITH THE WORK PIECE, GROUND CLAMP OR ANY GROUNDED MATERIAL DURING THE DRIVE TENSION SETTING PROCESS OR ARCING WILL OCCUR.

- Open the wire drive cover on the spool gun
- Pull the trigger on the gun.
- Turn the drive tension adjustment knob clockwise, increasing the drive tension until the wire

- seems to feed smoothly without slipping.
- 4. Close the wire drive cover on the spool gun.
- 5. When set correctly, there should be no slippage between the wire and the drive roller under normal conditions.

Adjusting the Spool Position

Before you begin welding, you may want to adjust the position of the spool so it is most comfortable for you. There are three positions to choose from. To change the position of the spool:

1. With a flat tipped screwdriver, loosen the screw connecting the spool casing to the gun.
2. Pull the casing far enough away from the gun to allow the casing to rotate.
3. Rotate the casing to one of the three available positions, making sure the grooves on the gun are aligned with the grooves on the casing.
4. Push the casing and the gun back together.
5. With a flat tipped screwdriver, tighten the screw which connects the spool casing to the gun.

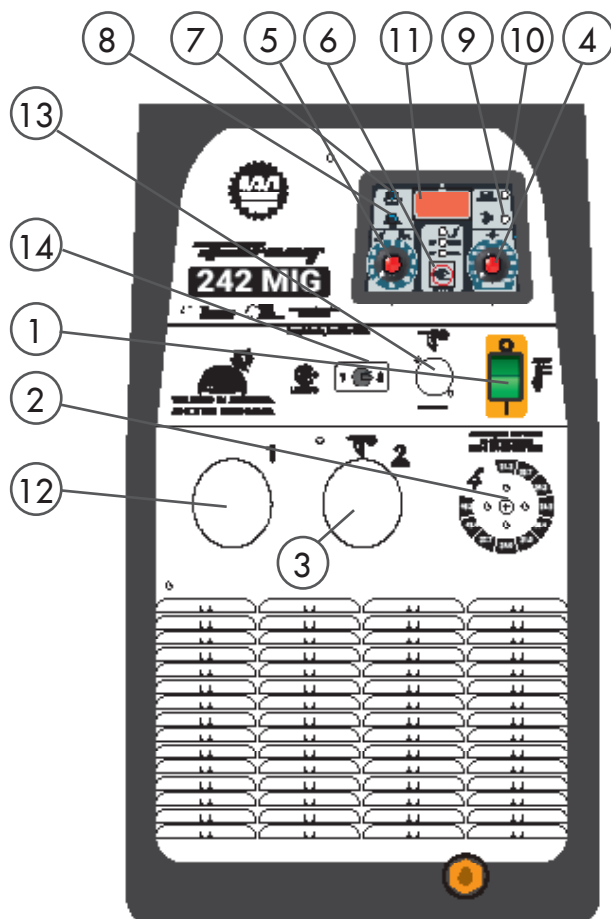
Welder Controls

With welders in the digital series, thanks to a special electronic card it is possible to externally adjust the welding parameters. The main purpose of these units is to make adjustment of these parameters very easy.

The microprocessor control handles the functions of the p.c.board that are viewed by means of LED's while a digital display shows the parameters set and welding current. Units may be used either with the standard torch (supplied with them) or with the Spool Gun.

Front Panel Operation

1. **Main ON/OFF switch (green):**
Lights up when you switch ON the welder on.
2. **Welding voltage adjustment knob**
3. **Spool Gun connection**
4. **Wire feed adjustment knob**
To increase the wire speed, turn the potentiometer clockwise; to decrease the wire speed, turn it counter-clockwise. The same procedure decreases the values on the welding parameters. Turn knob slowly.
5. **Spot welding time regulation knob**
MIN. 0.4 seconds - MAX. 10 seconds
6. **Welding "MODE" selector key**
Use these keys to select the following types of welding:
 - 2T: 2 time welding = manual
 - 4T: 4 time welding = automatic
 - Automatic spot welding with timer



7. **B.B.T. (Burn Back Time)**

After releasing the torch trigger, wire will continue to feed for a short time. This function avoids burning of wire and consequent wire sticking to the contact tip. By turning the B.B.T. potentiometer clockwise with a screwdriver, the time during which wire will continue to feed after the trigger is released can be adjusted.

8. **SLOPE**

Turning this screw with a screwdriver will adjust the time for the wire feed motor to reach the speed that you selected.

MIN. slope 0.25 seconds - MAX. slope 1.6 seconds

9. **Overheating indicator (yellow)**

This LED blinks when unit is overheating. It will light up when thermostatic protection shut down the machine and will cease blinking only after the machine has cooled sufficiently to continue welding.

10. **Spool gun torch green LED**

Lights up when the spool gun torch is connected.

11. **Display**

Allows operator to view the real time weld current. After welding the display will show the final welding current value for a maximum of 3 seconds.

12. **Torch connection**

13. **7 pin connection for Spool Gun (optional)**

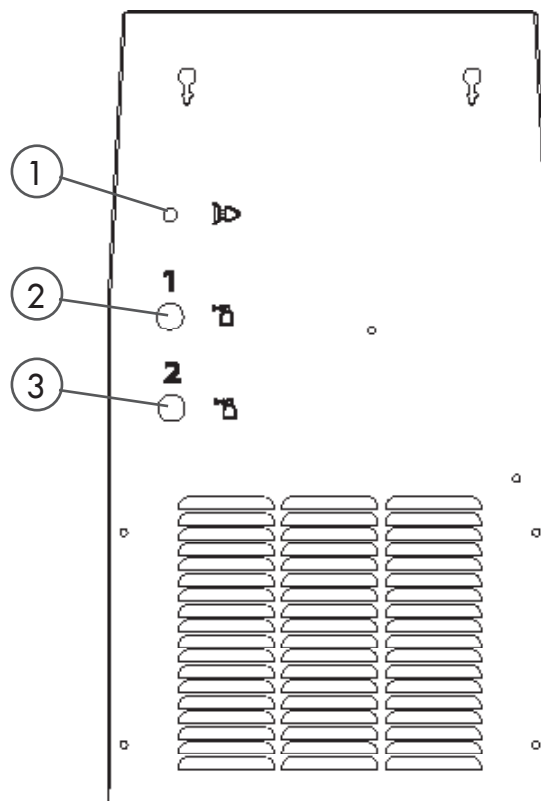
14. **Toggle switch for the torch selection**

Back Panel Operation

1. **Input Power Cable**

2. **Gas hose connector for torch 1 (MIG torch)**

3. **Gas hose connector for torch 2 (Spool Gun)**



Technical Data Information Guide

Refer to the back of the welder for specifications.

Welding Preparation

- Connect the ground cable to the proper female outlet on the bottom right-hand corner of the welder (on some models the ground cable is already connected). Attach the ground clamp to the bare metal to be welded, making sure of good contact;
- Make sure that the wire-roller groove in the roller corresponds to the diameter of the wire being used.
- Plug the machine into a suitable outlet.
- Open the gas valve on the gas cylinder regulator, (turn knob clockwise) and adjust the gas regulator to the proper setting position. Note: this varies with different metals, thicknesses and currents.

MIG (GMAW) Welding Using Shielding Gas

In MIG welding, two parameters are fundamental: (1) the welding voltage and (2) the wire speed. The welding current is determined by these two settings. Set the voltage and wire speed controls to positions suitable for the thickness of the material to be welded. Adjust the wire speed to fine tune the welding current.

Factors to Consider for Best Welding Results

1. Material to be welded. (Mild steel, Stainless Steel, Aluminum)
2. Thickness of material to be welded.
3. Diameter of the welding wire.
4. Type of shielding gas used.

Using the Mode button, select the trigger mode.

- 2T - The welding process starts when the torch trigger is pressed and stops when the trigger is released.
- 4T - The welding process starts when the trigger is pressed and released. Welding continues until the trigger is pressed and released a second time. This mode is best for very long welds or for some automotive welding.
- Spot welding with timer - Automatic spot welder with timer. This process permits repeated spot welds each time the trigger is pressed. The duration of the spot weld is controlled by Knob (5). A spot welding nozzle is recommended.

Aluminum Welding Set Up

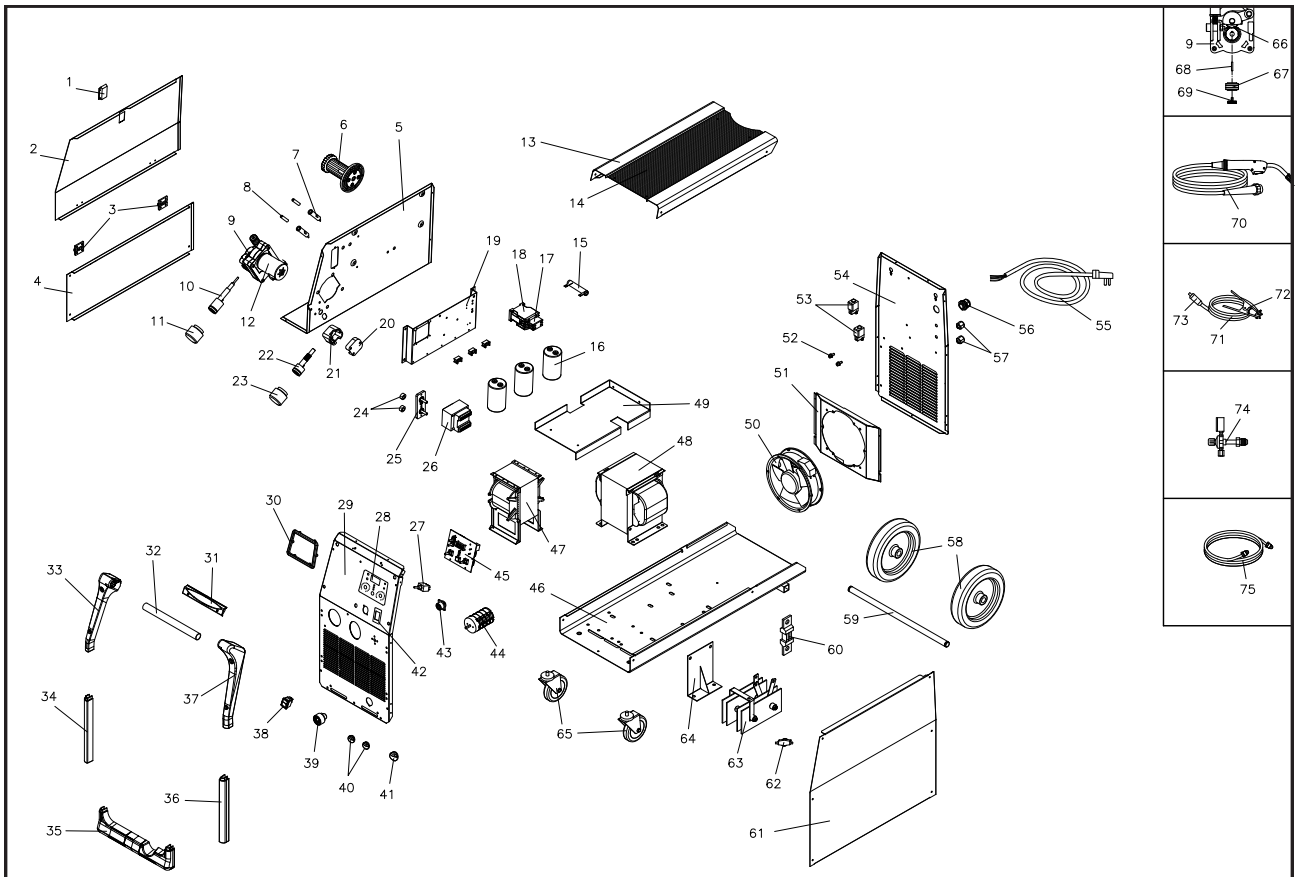
The welder should be set up as for mild steel except for the following: Use 100% Argon for the shielding gas. Ensure the Spool Gun is set up for aluminum welding with a teflon liner and does not exceed 10' in length. Ensure the contact tip and drive rolls are suitable for aluminum wire. For aluminum welding, or for welding other material that requires the use of soft wire, and for applications where a longer torch cable is required, a Spool Gun is recommended.

Parts List

REF. #	PART #	ITEM DESCRIPTION	QTY
01	85005	DOOR LATCH	1
02	05000287	LEFT SIDE PANEL	1
03	85513	PLASTIC HINGE FOR DOOR	1
04	33705777 376C	SMALL LEFT PANEL	1
05	33720311 9005	DIVIDING PANEL	1
06	04600275	SPOOL HOLDER	1
07	85130	FUSE HOLDER	1
08	85129	FUSE	10
09	44410081	METALLIC WIRE FEEDER	1
10	23005542	EURO BINZEL CONNECTION	1
11	21690675	EURO CONN. PLASTIC PROTECTION	1
12	22810030	MOTOR	1
13	33705735 376C	COVER	1
14	30905054	COVER MAT	1
15	22305004	RESISTANCE	1
16	85081	CAPACITOR	1
17	85042	AUXILIARY CONTACTS	1
18	85023	CONTACTOR	1
19	33640145	METAL SUPPORT FOR AUXILIRY TRANSFORMER	1
20	21690398	PLASTIC PART TO FIX SPOOL GUN	1
21	21690822	PLASTIC BOX FOR SPOOL GUN CONNECTION	1
22	23005555	MINI EURO CONNECTION FOR SPOOL GUN	1
23	21690828	PLASTIC COVER FOR SPOOL GUN CONNECTION	1
24	85551	KNURLED HANDWHEEL	2
25	04600166	GAS-NO GAS CONVERSION BOARD	1
26	44140054	AUXILIARY TRANSFORMER	1
27	22200033	WELDING CURRENT SWITCH	1
28	77650447	PCB FRONT PANEL	1
29	05000285	FRONT PANEL	1
30	21690429	PC BOARD FRAME	1
31	85579	UPPER PLASTIC PROFILE	1
32	33725134 9005	TUBE FOR HANDLE	1
33	85578	LEFT HANDLE	1
34	21690771	SIDE PLASTIC PROFILE	1
35	21690768	LOWER PLASTIC FRAME	1
36	21690770	RIGHT SIDE PLASTIC PROFILE	1
37	85577	RIGHT HANDLE	1
38	22200051	BIPOLAR SWITCH	1

REF. #	PART #	ITEM DESCRIPTION	QTY
39	22100009K	DINSE SOCKET	1
40	85555	KNOB WITH CAP AND INDEX	1
41	85574	BLACK KNOB FOR SWITCH	1
42	77601051	YELLOW LABEL FOR ON-OFF SWITCH	1
43	40211532	SPOOL GUN TORCH WIRING ASSEMBLY	1
44	85530	SWITCH	1
45	22710084	MOTOR CONTROL PCB	1
46	33700427 9005	LOWER PANEL	1
47	44135176	CHOKER	1
48	44120195	TRANSFORMER	1
49	30490172	PLEXIGLASS AIRFLOW	1
50	85560	FAN	1
51	33640628	METAL CONVEYOR	1
52	22910004K	HOSE TAIL	1
53	85052	SOLENOID VALVE	1
54	05000286	BACK PANEL	1
55	20220173	POWER CORD	1
56	21605040K	SWITCH D.20	2
57	22910110	FEMALE GAS CONNECTOR	1
58	85545	WHEEL	1
59	55200036	WHEELS AXLE	1
60	22600043	SHUNT FOR AMMETER	1
61	05000288	RIGHT PANEL	1
62	85203	COMPLETE THERMOSTAT	1
63	22400085	RECTIFIER	1
64	33640603	METAL SUPPORT FOR RECTIFIER	1
65	21625003	RUBBER PIVOTING WHEEL	1
66	33805007K	WIRE BLOCK ROLL	1
67	85509	FEED ROLL	1
67	85511	FEED ROLL	1
68	85520	FLAT-KEY	10
69	85557	FEED ROLL SECURE KNOB	1
70	23000453	MIG GUN TORCH	1
71	43210220K	GROUND CABLE	1
72	22110026K	GROUND CLAMP	1
73	22100003K	DINSE PLUG	1
74	22905101	S REDUCER	1
75	30900036	BLACK GAS HOSE	1

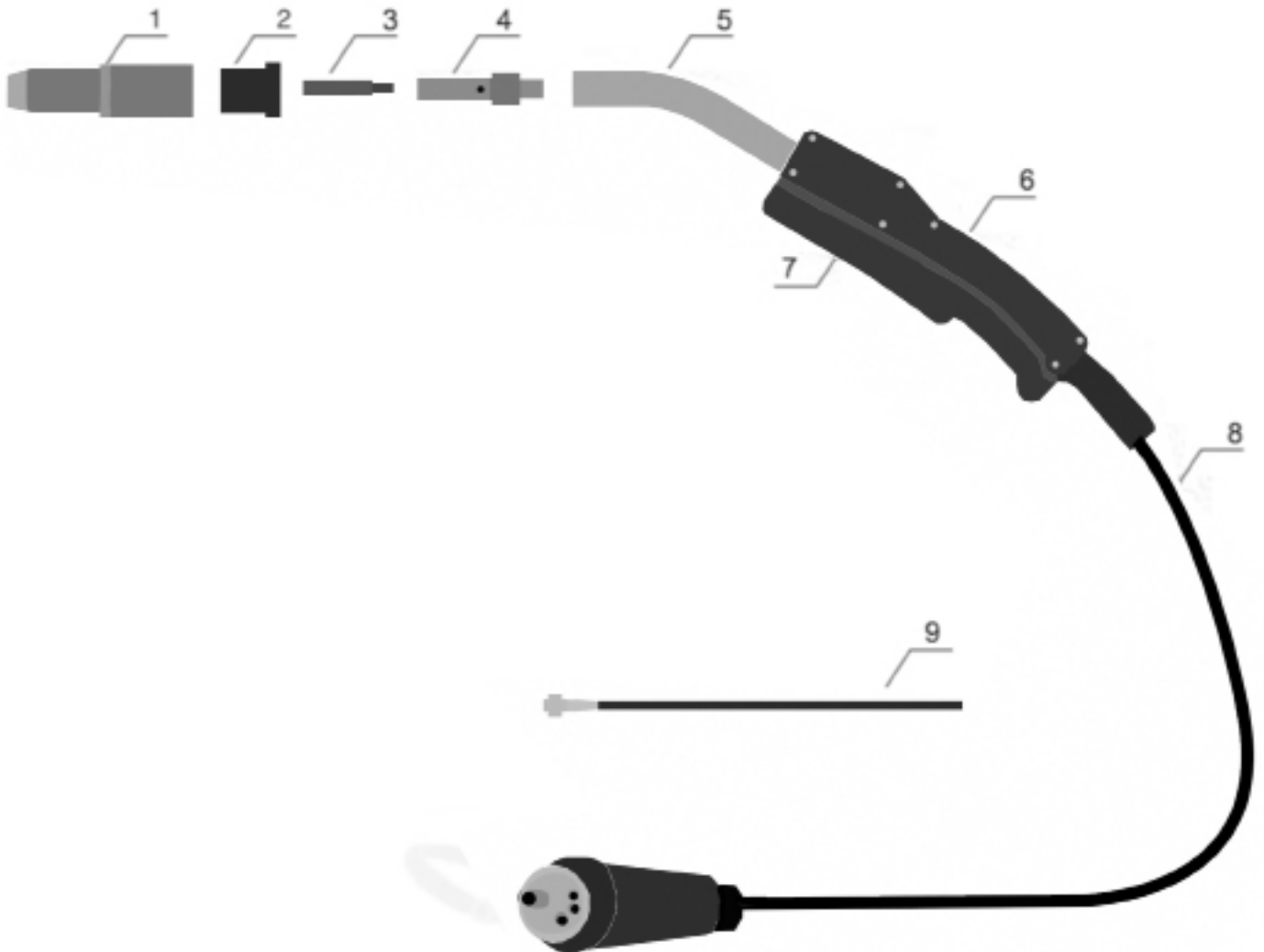
Parts Diagram



MIG Gun Torch Spare Parts List

NO.	PART NUMBER	ITEM DESCRIPTION	QTY.
1	23005552	TWECO TORCH NOZZLE 22-62	1
02	23005525K	INSULATOR 1 PC PACK	1
03	23005526K	0,9MM CONTACT TIP FOR TW2 14-35 10PC PACK	10
03	23005521K	0,8MM CONTACT TIP FOR TW2 14-30 10PC PACK	10
03	23005522K	1,2MM CONTACT TIP FOR TW2 14-45 10PC PACK	10
04	23005527K	TWECO GAS DIFFUSER TW2 1 PC PACK	1

NO.	PART NUMBER	ITEM DESCRIPTION	QTY.
05	23005528k	TW2 62A-45 TORCH NECK 1 PC PACK	1
06	23005529K	BLACK HANDLE FOR TW200 TORCH 1 PC PACK	1
07	23005530K	TORCH TRIGGER 1 PC PACK	1
08	23005553	COAX CABLE 25MM2 15"	1
09	23005554	STEEL WIRE LINER .030-.035	1





MANUEL D'UTILISATION DE LA SOUDEUSE MIG DOUBLE 242



CARACTÉRISTIQUES :

- Sortie de 240 A
- Entrée de 230 V
- Chalumeau robuste
- Système d'entraînement en aluminium
- Soude l'acier ou l'aluminium à l'aide d'un simple interrupteur
- 2 branchements Euro, 1 dédié au pistolet-bobine
- Facile à utiliser, augmente la productivité
- Lecture numérique de l'intensité réelle
- Trois modes de gâchette avec minuteur pour soudure par points
- Le pistolet-bobine offert en option augmente la polyvalence
- Commande des retours de flammes et des pentes
- Capacité de transfert par arrosage
- 2 solénoïdes au gaz

PARFAITE POUR :

Souder l'acier, l'acier inoxydable et l'aluminium, la fabrication générale, la carrosserie automobile, le travail agricole, travailler la tôle, les entrepreneurs, etc.

COMPREND :

Chalumeau; câble de mise à la terre et prise de masse; câble d'alimentation; tuyau de gaz et détendeur; ensemble de roues; boîte de consommables

FRANÇAIS



WELDING IN AMERICA.
SINCE THE BEGINNING.



5/3/1
WARRANTY

CAT# 327

REV 09/01/15

ARRÊTEZ!

NE RETOURNEZ PAS AU MAGASIN

Si vous avez des questions ou des problèmes avec votre nouvelle soudeuse, veuillez appeler le service à la clientèle au **+1 800 521-6038**, du lundi au vendredi de 7 h à 17 h (HNR) ou rendez-vous sur www.forneyind.com/customer_service.

Veuillez prendre le temps d'enregistrer votre produit sur www.forneyind.com/customer_service/register_your_product/

Merci et profitez pleinement de votre nouvelle soudeuse.



CINQ FAÇONS DE COMMANDER

Page Web : www.forneyind.com

Téléphone : +1 800 521-6038

Télécopieur : +1 970 498-9505

Courrier : Forney Industries
2057 Vermont Drive
Fort Collins, CO 80525

Courriel : sales@forneyind.com

Entrepôts des États-Unis :

- Fort Collins, CO
- Tipp City, OH

Copyright© 2014 Forney Industries, inc. Tous droits réservés. Toute reproduction ou distribution non autorisée est sujette aux lois américaines sur le droit d'auteur.

La promesse Forney

Votre réussite nous tient à cœur, peu importe l'endroit, la taille ou les besoins. Nous comprenons que votre objectif est de bien accomplir votre travail et nous sommes là pour vous aider.

Message du président

Nous commercialisons des outils, de l'équipement et des accessoires de la plus grande qualité pour les bricoleurs et les professionnels. Notre passion et notre dévouement à introduire de nouveaux produits sur les marchés industriel et de la vente au détail, ainsi que notre service personnalisé, sont sans précédent dans l'industrie. Notre capacité d'écoute des besoins de nos clients nous permet de créer des solutions afin de régler leurs problèmes.

Notre dévouement à offrir un service après-vente de la plus grande qualité au sein de notre siège social ainsi que le service que nous offrons dans notre domaine sont inégalés. Il nous tient à cœur de trouver les meilleures solutions pour répondre aux besoins de nos clients. Surtout, nos employés feront preuve du même respect et de la même attitude attentive au sein de l'organisation et avec chaque client Forney. Notre objectif consiste à dépasser les attentes de nos clients grâce à des personnes capables, guidées par les mêmes valeurs et dévouement.

Nous travaillons sans relâche pour que nos clients nous fassent confiance grâce à notre engagement indéfectible auprès d'eux, notre intégrité, notre travail d'équipe, l'innovation des produits Forney ainsi que nos 80 années de qualité inégalée.

Nous réussissons lorsque nos clients réussissent.



STEVEN G. ANDERSON, président et directeur général

Garantie limitée de 5 ans, 3 ans ou 1 an de Forney

En vigueur le 1er juillet 2015

- 1) **Garantie limitée** : sous réserve des conditions générales ci-dessous, Forney Industries, inc., Fort Collins, Colorado, garantit à l'acheteur au détail original que le nouvel équipement Forney vendu après la date d'entrée en vigueur de cette garantie limitée est exempt de défaut de matériaux et de fabrication au moment de l'expédition par Forney. Cette garantie remplace toutes les autres garanties, explicite ou implicite.
- 2) **Remarque** : si vous avez des questions à propos de la garantie, composez le **+1 800 521-6038**. Vous pouvez aussi visiter le site : www.forneyind.com pour des renseignements additionnels à propos de votre nouvelle soudeuse ou nouveau système au plasma.
- 1) **Durée de la garantie** : durant les périodes de garantie énumérées ci-dessous, Forney réparera ou remplacera toute pièce ou tout composant sous garantie qui présente une défaillance en raison d'un défaut de matériel ou de fabrication. La garantie est en vigueur à partir de la date d'achat originale au détail. La période de garantie est la suivante.
 - A) **5 ans** : redresseurs de courant au silicium originaux de l'alimentation principale, modules de redresseurs séparés et de diodes, transformateurs, stabilisateurs et bobines de réactance.
 - B) **3 ans** : systèmes d'entraînement, cartes de circuits imprimés, moteurs et interrupteurs et commandes
 - C) **1 an** : pistolets MIG, relais, contacteurs et détendeurs, chalumeau coupeur au plasma et accessoires.
 - D) **90 jours** : pièces de rechange. La main-d'œuvre n'est pas comprise.
- 4) La garantie limitée de Forney ne s'applique pas aux consommables comme les pièces de contact, les buses de coupage, les nettoyeurs de fil en feutre, les dévidoirs, les diffuseurs de gaz, les buses et les électrodes de chalumeau à plasma, les câbles de soudage ainsi que les buses et les pièces dont la dégradation est causée par l'usure normale. De plus, cette garantie ne couvre pas les dommages causés par le remplacement ou l'entretien inopportun des pièces consommables nommées précédemment.
- 5) **Garant** :
Forney Industries
2057 Vermont Drive
Fort Collins, CO 80525
1 800 521-6038
www.forneyind.com
- 6) **Acheteur/garantie** : l'acheteur original du produit Forney Industries. La garantie n'est pas transférable. L'achat et l'utilisation des produits Forney Industries sont prévus pour des personnes formées et expérimentées à l'utilisation et l'entretien d'équipement de soudage.
- 7) **Non couvert par la garantie** :
 - A) Les garanties implicites, incluant celles sur la qualité marchande et la qualité à un usage particulier, sont limitées à la durée mentionnée dans cette garantie explicite. Après cette période, tous les risques de pertes, quelle qu'en soit la cause, seront la responsabilité de l'acheteur.
 - B) Tout dommage accessoire, immatériel ou indirect, ou toute dépense découlant d'un défaut, d'une défaillance ou d'un mauvais fonctionnement du produit Forney.
 - C) Toute défaillance causée par un accident, par un abus de la part de l'acheteur, par de la négligence ou par le non-respect des instructions d'utilisation du produit fournies dans le(s) manuel(s) de l'utilisateur offert(s) avec le produit.
 - D) Le service avant livraison, c'est-à-dire l'assemblage et le réglage.
- 8) **Réclamation** : en cas de réclamation au titre de la garantie, les recours exclusifs seront, au choix de Forney Industries :
 - A) réparation; ou
 - B) remplacement; ou
 - C) remboursement du coût de la réparation ou du remplacement dans un centre de services Forney Industries qualifié, là où cela est permis avec une autorisation écrite de Forney Industries; ou
 - D) paiement ou crédit pour le prix d'achat, moins l'amortissement raisonnable basé sur l'utilisation réelle lors du retour de la marchandise au risque et aux frais du client.
- 9) **L'acheteur** :
 - A) Communiquera avec le service à la clientèle Forney au **+1 800 521-6038** dans les 30 jours suivants le défaut ou la défaillance.
 - B) Fournira une preuve d'achat datée (généralement un reçu de vente).
 - C) Fournira le numéro de série. L'enregistrement de votre soudeuse sur forneywelding.forneyind.com accélère ce processus.
 - D) Apportera ou fera livrer la soudeuse dans un centre de service Forney autorisé. Paiera les frais de transport ou d'emballage le cas échéant.

ATTENTION!

AVANT D'INSTALLER OU D'UTILISER L'APPAREIL OU D'EFFECTUER LA MAINTENANCE DE CELUI-CI, LIRE ATTENTIVEMENT LE CONTENU DU PRÉSENT MANUEL, EN ACCORDANT UNE ATTENTION PARTICULIÈRE AUX RÈGLES DE SÉCURITÉ ET AUX RISQUES.

Dans le cas où les instructions ne seraient pas claires, merci de contacter votre revendeur Forney autorisé ou le service à la clientèle Forney au +1 800 521-6038

Informations concernant la sécurité

Normes de sécurité principales

- Sécurité en soudage et coupage, norme ANSI Z49.1, de la Société américaine de soudage (American Welding Society), 8669 Doral Boulevard, Suite 130, Doral, FL 33166 Normes de santé et sécurité, OSHA 29 CFR 1910, du Surintendant des Documents, bureau des publications américain, Washington, D.C. 20402.
- Pratiques sûres recommandées de préparation pour le soudage et le coupage de conteneurs ayant renfermé des substances nocives, norme AWS F4.1 de la Société américaine de soudage (American Welding Society), 8669 Doral Boulevard, Suite 130, Doral, FL 33166
- Règles de sécurité électrique nationales, norme NFPA 70, de l'Association nationale de protection contre le feu (National Fire Protection Association), Batterymarch Park, Quincy, MA 02269.
- Manutention sécuritaire des cylindres de gaz comprimé, CGA brochure P-1, de l'Association des gaz comprimés (Compressed Gas Association), 1235 Jefferson Davis Highway, Suite 501, Arlington, VA 22202.
- Règles de sécurité en soudage et coupage, norme CSA W117.2, de l'Association canadienne de normalisation (Canadian Standards Association), Standards Sales, 178 Rexdale Boulevard, Rexdale, Ontario, Canada M9W 1R3.
- Pratiques sûres pour la protection des yeux et du visage au travail et dans les écoles, norme ANSI Z87.1, de l'Institut de normalisation américaine (American National Standards Institute), 1430 Broadway, New York, NY 10018.
- Procédés de coupage et de soudage, NFPA Standard 51B, de l'Association nationale de protection contre le feu (National Fire Protection Association), Batterymarch Park, Quincy, MA 02269.

Proposition 65 de l'État de la Californie

Ce produit peut contenir des substances chimiques reconnues par l'État de Californie pour provoquer le cancer, des malformations congénitales ou d'autres anomalies de reproduction (CA. Prop 65). Se laver les mains après utilisation.

Information EMF

Le courant de soudage ou de coupage, lorsqu'il circule dans les câbles de soudage ou de coupage, cause des champs électromagnétiques. Ceux-ci ont soulevé et soulèvent encore certains questionnements. Toutefois, après examen, le comité du Conseil national de recherches (National Research Council) a conclu que : « Selon le jugement du comité, l'ensemble des preuves n'a pas démontré que l'exposition à des champs électriques et magnétiques de fréquence-puissance représente un danger pour la santé. » Toutefois, des études sont toujours en cours et les preuves continuent d'être examinées. Jusqu'à ce que les conclusions finales de la recherche aient été obtenues, vous pouvez vouloir minimiser votre exposition aux champs électromagnétiques lorsque vous soudez ou coupez.

Afin de réduire les champs magnétiques sur le lieu de travail, suivez les procédures suivantes :

1. conservez les câbles rapprochés en les torsadant ou en utilisant du ruban adhésif;
2. placez les câbles d'un seul côté et tenez-les éloignés de l'utilisateur;
3. n'enroulez pas les câbles autour de votre corps;
4. conservez la source d'alimentation et les câbles de soudage ou de coupage le plus éloignés possible de l'utilisateur;
5. posez le pinceur sur la pièce à travailler le plus près possible de la coupure ou de la soudure.

À PROPOS DES STIMULATEURS CARDIAQUES ET DES PROTHÈSES AUDITIVES :

Les personnes portant un stimulateur cardiaque ou des prothèses auditives doivent consulter leur médecin. Si vous obtenez l'accord de votre médecin, nous vous recommandons de suivre les procédures ci-dessus.

Protection personnelle

Les processus de soudage de toutes sortes peuvent être dangereux pour l'utilisateur, ainsi que pour toute personne à proximité de l'équipement, si les règles de sécurité et d'utilisation ne sont pas strictement respectées.



L'ARC DE SOUDAGE PRODUIT UN RAYONNEMENT ULTRAVIOLET ET INFRAROUGE TRÈS LUMINEUX. CES RAYONS DE L'ARC PEUVENT VOUS ENDOMMAGER LES YEUX ET VOUS BRÛLER LA PEAU SI VOUS N'ÊTES PAS ADÉQUATEMENT PROTÉGÉ.

Afin de réduire le risque de blessures causées par les rayons de l'arc, veuillez lire, comprendre et suivre les consignes de sécurité. Assurez-vous que toute autre personne utilisant l'équipement de soudage, ou se trouvant dans la zone de soudage, comprenne et suive également ces consignes de sécurité. Les casques et les filtres doivent respecter les normes ANSI Z87.1.

- Ne regardez pas un arc électrique sans protection oculaire adéquate. Un arc de soudage est extrêmement lumineux et intense. Sans protection oculaire adéquate, la rétine peut être brûlée, ce qui laissera une tache noire permanente dans le champ de vision. Vous devez utiliser une visière ou un casque avec une lentille filtrante à teinte n° 10 (minimum).
- Ne créez pas d'arc de soudage avant que toutes les personnes à proximité et le soudeur (vous) aient mis en place une visière ou un casque de soudage.
- Ne portez pas de casque fissuré ou brisé et remplacez immédiatement les lentilles de filtre fissurées ou brisées.
- Ne laissez pas la partie isolée du pistolet à fil entrer en contact avec la prise de masse ou le travail mis à la terre pour empêcher qu'un coup d'arc se crée au contact.
- Fournissez des visières ou des casques bien ajustés dotés d'une lentille de teinte appropriée aux personnes à proximité.
- Portez des vêtements de protection. La lumière intense de l'arc de soudage peut brûler la peau de la même manière que le soleil, même à travers des vêtements légers. Portez des vêtements foncés faits d'un tissu épais. Vous devez porter un chandail à manches longues et le col doit être boutonné de manière à protéger la poitrine et le cou.
- Protégez-vous contre les rayons d'arc réfléchis. Les rayons d'arc peuvent être réfléchis sur les surfaces brillantes comme une surface peinte glacée, de l'aluminium, de l'acier inoxydable et du verre. Les rayons d'arc réfléchis peuvent blesser vos yeux même lorsque vous portez un casque ou une visière de protection. Si vous soudez et qu'une surface réfléchissante se trouve derrière vous, les rayons d'arc peuvent rebondir sur la surface et à l'extérieur de la lentille du filtre. Ils peuvent pénétrer dans votre casque ou votre visière et dans vos yeux. Si un arrière-plan réfléchissant se trouve dans votre zone de soudure, enlevez-le ou recouvrez-le avec un matériau non inflammable et non réfléchissant. Les rayons d'arc réfléchissants peuvent aussi brûler la peau.
- Les étincelles peuvent causer des blessures. Portez de l'équipement de sécurité adéquat pour vous protéger les yeux et le visage. Formez l'électrode de tungstène sur la meule dans un endroit sécuritaire et en portant une protection adéquate. Gardez les objets inflammables éloignés et évitez les incendies pouvant être causés par des étincelles.



LES ÉMANATIONS, LES GAZ ET LES VAPEURS PEUVENT CAUSER DE L'INCONFORT, DES MALADIES ET LA MORT! Afin de réduire les risques, veuillez lire, comprendre et suivre les consignes de sécurité. De plus, assurez-vous que toute autre personne utilisant l'équipement de soudage ou se trouvant dans la zone de soudage comprenne et suive aussi ces consignes de sécurité.

- Lisez et comprenez les données de sécurité et la fiche de données de sécurité.
- Ne soudez pas avant de vous être assuré que la ventilation est adéquate selon la description de la norme ANSI Z49.1. Si la ventilation n'est pas adéquate pour échanger les émanations et les gaz générés contre de l'air frais pendant le processus de soudage, ne soudez pas avant que le soudeur (vous) et les personnes à proximité portent des respirateurs à adduction d'air.
- Ne chauffez pas les métaux qui contiennent ou qui sont revêtus de matériaux produisant des vapeurs toxiques (comme l'acier galvanisé), sauf si le revêtement a été enlevé. Assurez-vous que la zone est bien ventilée et que l'utilisateur et toutes les personnes à proximité portent des respirateurs à adduction d'air.

- Évitez de souder, de couper ou de chauffer le plomb, le zinc, le cadmium, le mercure, le béryllium, l'antimoine, le cobalt, le manganèse, le sélénium, l'arsenic, le cuivre, l'argent, le baryum, le chrome, le vanadium, le nickel ou des métaux similaires sans consulter un professionnel et sans inspecter la ventilation de la zone de soudage. Ces métaux produisent des vapeurs extrêmement toxiques qui peuvent causer de l'inconfort, des maladies et la mort.
- Ne soudez ou ne coupez pas dans des endroits à proximité de solvants à base de chlorure. Les vapeurs d'hydrocarbure chloré, comme le trichloréthylène et le perchloroéthylène, peuvent être décomposées par la chaleur d'un arc électrique ou par le rayonnement ultraviolet. Ces actions peuvent entraîner la formation de phosgène, un gaz hautement toxique, ainsi que d'autres gaz irritants pour les poumons et les yeux. Ne soudez pas ou ne coupez pas à des endroits où des vapeurs de solvants peuvent être attirées dans la zone de travail ou à des endroits où le rayonnement ultraviolet peut pénétrer dans des zones où se trouvent ces vapeurs, même en très petites quantités.
- Ne soudez pas dans un endroit confiné, sauf s'il est bien ventilé ou si l'utilisateur (ainsi que toute autre personne se trouvant dans la zone) porte un respirateur à adduction d'air.
- Arrêtez de souder si vous sentez une irritation momentanée des yeux, du nez ou de la gorge : cela indique que la ventilation est inadéquate. Arrêtez de travailler et prenez les mesures nécessaires pour améliorer la ventilation dans la zone de soudage. Ne recommencez pas à souder si l'inconfort physique persiste.

Prévention des incendies



LES INCENDIES OU LES EXPLOSIONS PEUVENT CAUSER LA MORT, DES BLESSURES ET DES DOMMAGES MATÉRIELS!

Afin de réduire ces risques, veuillez lire, comprendre et suivre les consignes de sécurité. De plus, assurez-vous que toute autre personne utilisant cet équipement de soudage ou que les personnes se trouvant dans la zone de soudage comprennent et suivent aussi ces consignes de sécurité. N'oubliez pas : par sa nature, l'arc de soudage produit des étincelles, des projections chaudes, des gouttes de métal fondu, du laitier chaud et des pièces de métal chaudes qui peuvent provoquer des incendies, brûler la peau et endommager les yeux.

- Ne portez pas de gants ou autres vêtements contenant de l'huile, de la graisse ou toute autre substance inflammable.
- Ne mettez pas de produits pour cheveux inflammables.
- Ne touchez pas au cordon de soudure ou au bain de fusion avant qu'il soit complètement refroidi.
- Ne soudez pas dans un endroit avant de l'avoir vérifié et d'avoir éliminé tous les matériaux combustibles ou inflammables. Les étincelles et le laitier peuvent être projetés jusqu'à 35 pieds (10,7 mètres) et peuvent passer à travers les petites fissures et ouvertures. Si votre travail et les éléments combustibles ne peuvent pas être séparés par un minimum de 35 pieds (10,7 mètres), protégez-vous contre l'inflammation à l'aide de recouvrements et de protecteurs ajustés et résistants au feu adéquats.
- Ne soudez pas sur les murs avant d'avoir vérifié et retiré les éléments combustibles qui touchent à l'autre côté des murs.
- Évitez de souder, de couper ou d'effectuer tout autre travail semblable sur des barils, des tambours, des réservoirs ou d'autres récipients usagés ayant contenu des substances inflammables ou toxiques. Les techniques pour retirer les substances et les vapeurs inflammables, pour rendre un récipient usagé sécuritaire pour le soudage ou pour couper, sont assez complexes et nécessitent une formation spéciale.
- Ne formez pas d'arc sur du gaz comprimé ou sur un cylindre à air comprimé. Si vous le faites, cela créera une zone fragile qui peut entraîner une rupture violente immédiatement ou plus tard lors d'une manipulation robuste.
- Évitez de souder ou de couper dans un endroit où l'air peut contenir de la poussière inflammable (comme de la poussière de grain), des gaz ou des vapeurs liquides (comme l'essence).
- Ne manipulez pas le métal chaud comme la pièce à travailler ou les bouts de l'électrode à mains nues.
- Portez des gants de cuir, un chandail à manches longues épais, des pantalons sans rebords, des chaussures hautes, un masque et un casque. Au besoin, utilisez des vêtements de protection supplémentaires comme une veste ou des manches en cuir, des jambières résistantes au feu ou un tablier. Des étincelles ou du métal chaud peuvent se loger dans les manches roulées, les rebords de pantalons ou les poches. Vous devez garder les manches et les cols boutonnés et vous devez porter des vêtements qui n'ont pas de poches à l'avant.
- Vous devez avoir de l'équipement extincteur d'incendie à portée de la main prêt à être utilisé immédiatement. Nous recommandons un extincteur d'incendie chimique portatif de type ABC.
- Portez des bouchons d'oreille lorsque vous soudez par-dessus votre tête afin d'éviter que les projections et le laitier tombent dans vos oreilles.
- Assurez-vous que le plancher de la zone de soudage est en bon état, qu'il est solide et sécuritaire.

Il doit préférablement être en béton ou en maçonnerie, ne doit pas être fait de tuiles, de moquette ou de tout autre matériau inflammable.

- Protégez les murs, les plafonds et les planchers inflammables avec des protecteurs résistants à la chaleur.
- Vérifiez la zone de soudage pour vous assurer qu'il n'y a pas d'étincelles, de métal rougeoyant, de laitier ou de flammes avant de quitter la zone de soudage.
- Portez des vêtements exempts d'huile ou de toute autre substance inflammable, par exemple des gants en cuir, des chandails en coton épais sans matières synthétiques, des pantalons sans rebord et des souliers fermés. Gardez les cheveux longs attachés.
- Enlevez tout combustible, comme des briquets et des allumettes avant de souder.
- Respectez les exigences de l'OSHA et de la NFPA pour le travail à chaud et gardez un extincteur à proximité.

Rayonnement à haute fréquence

- Les hautes fréquences peuvent interférer avec la radionavigation, les services de sécurité, les ordinateurs et l'équipement de communication.
- Il revient à l'utilisateur d'embaucher un électricien qualifié rapidement pour corriger tout problème d'interférence causé par l'installation. L'électricien doit régulièrement vérifier et entretenir l'installation.
- Arrêtez d'utiliser l'équipement si vous recevez une notification de la FCC à propos de l'interférence.
- Gardez les portes et les panneaux de la source de hautes fréquences bien fermés et gardez les éclateurs au réglage approprié.

Soudage à l'arc

- Les ordinateurs et l'équipement informatisé peuvent être endommagés par l'énergie électromagnétique.
- Assurez-vous que tout l'équipement est compatible avec l'énergie électromagnétique.
- Gardez les câbles de soudage courts pour réduire l'interférence.
- Suivez les instructions du manuel pour installer la machine et la mettre à la terre.
- Si l'interférence continue, protégez la zone de travail ou déplacez la soudeuse.

Décharge électrique



AVERTISSEMENT : LES DÉCHARGES ÉLECTRIQUES PEUVENT ÊTRE MORTELLES! Afin de réduire le risque de mort ou de blessures graves causées par les décharges électriques, veuillez lire, comprendre et suivre les consignes de sécurité. De plus, assurez-vous que toute autre personne utilisant l'équipement de soudage ou se trouvant dans la zone de soudage comprenne et suive aussi ces consignes de sécurité.

IMPORTANT! AFIN DE RÉDUIRE LE RISQUE DE MORT, DE BLESSURE OU DE DOMMAGES MATÉRIELS, NE TENTEZ PAS D'UTILISER cet équipement de soudage avant d'avoir lu et compris le résumé de sécurité suivant.

- N'entrez pas, de quelque manière que ce soit, en contact physique avec toute pièce du circuit de courant de soudage. Le circuit de courant de soudage comprend :
 - a. la pièce à travailler ou tout autre matériau conducteur qui est en contact avec cette dernière;
 - b. la prise de masse;
 - c. l'électrode ou le câble de soudage;
 - d. toute pièce de métal sur le porte-électrode ou le pistolet à fil.
- Ne soudez pas dans un endroit humide ou n'entrez pas en contact avec une surface humide ou mouillée.
- Ne tentez pas de souder si des parties de vos vêtements ou votre corps sont mouillés.
- Ne laissez pas l'équipement de soudage entrer en contact avec de l'eau ou de l'humidité.
- Ne tirez pas les câbles de soudage, le pistolet à fil ou le cordon d'alimentation de la soudeuse dans de l'eau ou de l'humidité et ne les laissez pas entrer en contact avec celles-ci.
- Ne touchez pas à la soudeuse et ne tentez pas de mettre en marche ou d'éteindre la soudeuse si une partie de votre corps ou de vos vêtements est humide ou si vous êtes en contact physique avec de l'eau ou de l'humidité.
- Ne tentez pas de brancher la soudeuse dans la source d'alimentation si une partie de votre corps ou de vos vêtements est humide ou si vous êtes en contact physique avec de l'eau ou de l'humidité.
- Ne posez pas le pinceur de la pièce à travailler de la soudeuse ou ne soudez pas sur un conduit électrique.
- Ne modifiez pas le cordon d'alimentation ou la prise du cordon d'alimentation de quelque manière que ce soit.

- Ne tentez pas de brancher la soudeuse dans une source d'alimentation si le contact de mise à la terre du cordon d'alimentation est plié, brisé ou manquant.
- Ne laissez pas la soudeuse branchée à une source d'alimentation ou ne tentez pas de souder si la soudeuse, les câbles de soudage, le site de soudage ou le cordon d'alimentation de la soudeuse sont exposés à toute forme de précipitation atmosphérique ou d'embruns d'eau salée.
- Ne transportez pas les câbles de soudage enroulés autour de vos épaules ou de toute autre partie de votre corps lorsqu'ils sont branchés dans la soudeuse.
- Ne modifiez pas le câblage, les connexions à la terre, les interrupteurs ou les fusibles de l'équipement de soudage.
- Portez des gants de soudage pour isoler vos mains du circuit de soudage.
- Gardez tous les récipients contenant des liquides suffisamment éloignés de la soudeuse et de la zone de travail de manière à ce que, si du liquide est renversé, il ne puisse pas entrer en contact avec toute pièce de la soudeuse ou du circuit de soudage électrique.
- Remplacez immédiatement toute pièce fissurée ou endommagée qui est isolée ou qui joue le rôle d'isolateur comme des câbles de soudage, le cordon d'alimentation ou le porte-électrode.

Bruit



Le bruit peut causer une perte auditive permanente. Les processus de soudage peuvent causer des niveaux sonores qui dépassent les limites sécuritaires. Vous devez protéger vos oreilles contre les bruits forts pour prévenir la perte auditive.

- Afin de protéger votre ouïe contre les bruits forts, portez des bouchons d'oreille ou des coquilles antibruit.
- Les niveaux sonores doivent être mesurés pour vous assurer que les décibels (son) ne dépassent pas les niveaux sécuritaires.

Informations supplémentaires concernant la sécurité

Pour obtenir des informations supplémentaires à propos de la sécurité pour le soudage, consultez les normes suivantes et respectez-les le cas échéant.

- Norme ANSI Z49.1 - SÉCURITÉ EN SOUDAGE ET COUPAGE : disponible chez la Société américaine de soudage (American Welding Society), 550 NW Le Jeune Road, Miami, FL 33126 Téléphone +1 800 443-9353, Télécopieur +1 305 443-7559 - www.amweld.org ou www.aws.org
- Norme ANSI Z87.1 - PRATIQUES SÛRES POUR LA PROTECTION DES YEUX ET DU VISAGE AU TRAVAIL ET DANS LES ÉCOLES : disponible chez l'Institut de normalisation américaine (American National Standards Institute), 11 West 42nd St., New York, NY 10036 Téléphone +1 212 642-9000, Télécopieur +1 212 398-0023 - www.ansi.org
- Norme NFPA 518 - PROCÉDÉS DE COUPAGE ET DE SOUDAGE : disponible chez l'Association nationale de protection contre le feu (National Fire Protection Association), 1 Batterymarch Park, P.O. Box 9101, Quincy, MA 02269-9101 Téléphone +1 617 770-3000 Télécopieur +1 617 770-0700 - www.nfpa.org
- Norme OSHA 29 CFR, Partie 1910, Sous-partie Q., SOUDAGE, COUPAGE ET BRASAGE : disponible au bureau OSHA de votre état ou au Département du Travail des États-Unis OSHA, bureau des affaires publiques, Salle N3647, 200 Constitution Ave., Washington, DC 20210 - www.osha.gov
- Norme CSA W117.2 - Règles de SÉCURITÉ EN SOUDAGE ET COUPAGE : disponible chez l'Association canadienne de normalisation (Canadian Standards Association) 178 Rexdale Blvd., Etobicoke, Ontario M9W 1R3 - www.csa.ca
- Norme A6.0. de la Société américaine de soudage (American Welding Society) SOUDAGE ET COUPAGE DE CONTENEURS AYANT RENFERMÉ DES COMBUSTIBLES : disponible chez la Société américaine de soudage (American Welding Society), 550 NW Le Jeune Road, Miami, FL 33126 Téléphone +1 800 443-9353, Télécopieur +1 305 443-7559 - www.amweld.org ou www.aws.org

Table des matières

GARANTIE	29
INFORMATIONS CONCERNANT LA SÉCURITÉ	30
NORMES DE SÉCURITÉ PRINCIPALES	30
PROPOSITION 65 DE L'ÉTAT DE LA CALIFORNIE.....	30
INFORMATION EMF.....	30
PROTECTION PERSONNELLE.....	31
PRÉVENTION DES INCENDIES.....	32
RAYONNEMENT À HAUTE FRÉQUENCE.....	33
SOUDAGE À L'ARC.....	33
DÉCHARGE ÉLECTRIQUE.....	33
BRUIT	34
INFORMATIONS SUPPLÉMENTAIRES CONCERNANT LA SÉCURITÉ	34
TABLE DES MATIÈRES	35
INSTALLATION	36
REPLACEMENT.....	36
VENTILATION	36
EXIGENCES QUANT À LA TENSION DE L'ALIMENTATION PRINCIPALE.....	36
CONSIGNES DE SÉCURITÉ.....	36
MONTAGE	37
MONTAGE DE LA POIGNÉE ET DES ROUES (FIG. 1).....	37
MONTAGE DU CHALUMEAU ET DU PISTOLET-BOBINE (FIG. 2).....	37
CONNEXION DU CYLINDRE À GAZ ET DU DÉTENDEUR	37
GUIDE DU GAZ DE PROTECTION	38
CHARGEMENT DU FIL.....	38
REPLACEMENT DU GUIDE-FIL	40
COMMENT CHOISIR LE GUIDE-FIL POUR LES CONNEXIONS DIRECTES ET EURO DES CHALUMEAUX.....	40
PRÉPARATIFS POUR LE SOUDAGE À L'AIDE DU PISTOLET-BOBINE.....	40
RÉGLAGE DE LA TENSION DE L'ALIMENTATION DU FIL.....	42
AJUSTEMENT DE LA POSITION DE LA BOBINE.....	42
COMMANDES DE LA SOUDEUSE	42
OPÉRATION DU PANNEAU AVANT.....	43
OPÉRATION DU PANNEAU ARRIÈRE.....	44
GUIDE D'INFORMATION TECHNIQUE	44
PRÉPARATION POUR LE SOUDAGE	44
SOUDEUSE MIG (GMAW) AVEC UN GAZ DE PROTECTION	44
FACTEURS À PRENDRE EN CONSIDÉRATION POUR DE MEILLEURS RÉSULTATS DE SOUDURE	45
RÉGLAGE POUR LA SOUDURE DE L'ALUMINIUM.....	45
LISTE DES PIÈCES	46
SCHÉMA DES PIÈCES	48
LISTE DES PIÈCES DE RECHANGE DU CHALUMEAU DU PISTOLET MIG	49
SCHÉMA DE CÂBLAGE	50
REMARQUES POUR L'UTILISATEUR	51

Installation

Emplacement

Assurez-vous d'installer la soudeuse en respectant les lignes directrices suivantes :

- Dans un endroit sans humidité ni poussière.
- Dans un endroit dont la température ambiante se situe entre 30 °F et 90 °F (1 °C et 32 °C).
- Dans un endroit sans huile, vapeur, ni gaz corrosifs.
- Dans un endroit sans risque de vibrations ou chocs anormaux.
- Dans un endroit à l'abri de la lumière directe du soleil et de la pluie.
- Installez-la à une distance d'au moins 12" (30,48 cm) des murs ou de tout autre obstacle qui pourrait empêcher les courants d'air naturels de refroidir la soudeuse.

Ventilation

Puisque l'inhalation des fumées de soudage est potentiellement dangereuse, assurez-vous que l'espace de soudage est efficacement ventilé.

Exigences quant à la tension de l'alimentation principale

Avant d'effectuer tout branchement électrique, assurez-vous que la tension de l'alimentation et la fréquence disponibles correspondent aux besoins énoncés sur l'étiquette de votre soudeuse.

La tension de l'alimentation principale devrait se situer à $\pm 10\%$ de la tension de l'alimentation principale nominale. Une tension trop basse peut entraîner une mauvaise soudure. Une tension d'alimentation trop élevée entraînera la surchauffe et possiblement la défaillance des composants.

La prise de sortie de la soudeuse doit être :

- Installée correctement, au besoin par un électricien qualifié.
- Mise à la terre correctement et conformément aux réglementations locales.
- Connectée à un circuit électrique dont la capacité est adéquate.

REMARQUES :

- Inspectez régulièrement le câble d'alimentation pour détecter les fissures et les fils à découvert. S'ils ne sont pas en bon état, faites-les réparer dans un centre de service.
- N'entassez pas le câble d'alimentation avec d'autres machines. Ils pourraient être endommagés et provoquer des décharges électriques.
- Gardez le câble d'alimentation loin des sources de chaleur, de l'huile, des solvants et des objets tranchants.
- Si vous utilisez un cordon prolongateur, tentez de le garder droit et démêlé pour éviter la surchauffe.
- Ne tirez pas violemment sur le câble d'alimentation pour le débrancher de la prise.

Consignes de sécurité

Pour votre sécurité, avant de brancher le câble d'alimentation, suivez ces instructions :

- Un interrupteur bipolaire doit être inséré avant la sortie principale. Cet interrupteur doit être muni de fusibles temporisés.
- Lors de travaux de soudage dans un endroit confiné, la soudeuse doit rester à l'extérieur de la zone de travail et le câble de mise à la terre doit être fixé à la pièce à souder. Ne travaillez jamais dans des endroits humides et confinés.
- N'utilisez pas de câbles d'alimentation ou de soudage endommagés.
- Ne pointez jamais le chalumeau soudeur vers l'utilisateur ou quiconque.
- La soudeuse ne doit jamais être utilisée sans que ses panneaux y soient fixés. Cela pourrait blesser gravement l'utilisateur et endommager l'équipement.

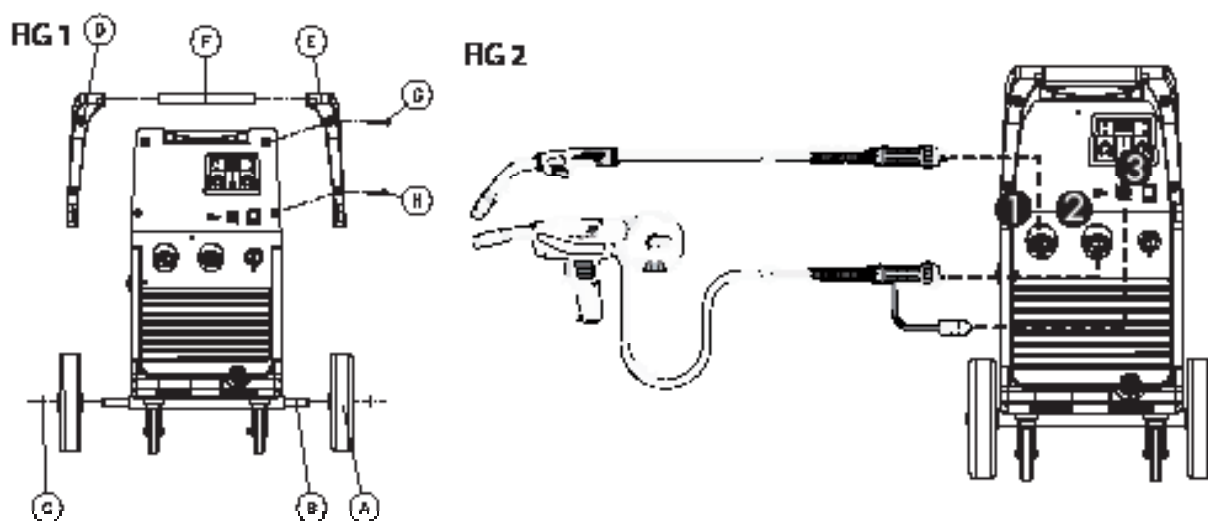
Montage

Montage de la poignée et des roues (Fig. 1)

- Déballez la soudeuse.
- Insérez l'essieu (B) dans les trous à l'arrière de la soudeuse et glissez une roue (A) dans chaque extrémité puis une rondelle de retenue (C).
- Assemblez la poignée de plastique (F) à l'intérieur du support de plastique (D-E).
- Assemblez le support de plastique à l'aide de la vis fournie (G-H).

Montage du chalumeau et du pistolet-bobine (Fig. 2)

- Vissez le chalumeau MIG dans la douille (1) du devant de la soudeuse en prenant soin de ne pas endommager les contacts. Vissez bien à la main dans la connexion fileté.
- Vissez le pistolet-bobine dans la douille (2) ainsi que le raccord à 7 broches (3).



Connexion du cylindre à gaz et du détendeur

La bouteille (non fournie) devrait se situer à l'arrière de la soudeuse et être maintenue en place de manière sécuritaire grâce à la chaîne fournie. Par souci de sécurité et d'économie, assurez-vous que le détendeur est bien fermé (tourner dans le sens antihoraire) lorsque vous ne soudez pas et lorsque vous raccordez ou retirez le cylindre de gaz.

- Tournez le bouton d'ajustement du détendeur dans le sens antihoraire pour vous assurer que la valve est bien fermée.
- Vissez bien le détendeur jusqu'au fond sur la valve de la bouteille de gaz.
- Raccordez le tuyau pour le gaz au détendeur et fixez-le avec l'agrafe ou l'écrou fourni.
- Ouvrez la valve du cylindre, puis réglez le débit de gaz du détendeur à environ 20-30 pieds cubes par heure (0,57 à 0,85 mètres cubes par heure).
- Actionnez la gâchette du chalumeau pour vous assurer que le gaz passe dans le chalumeau.



AVERTISSEMENT : LES CYLINDRES SONT SOUS HAUTE PRESSION. MANIPULEZ AVEC SOIN.

Des accidents graves peuvent résulter d'une manipulation inappropriée ou de la mauvaise utilisation des cylindres à gaz comprimés. Ne laissez pas tomber le cylindre, ne le renversez pas, et ne l'exposez pas à une chaleur excessive, aux flammes ou aux étincelles. Ne l'entrechoquez pas avec les autres cylindres.

Guide du gaz de protection

MÉTAL	GAZ	REMARQUE
Acier doux	CO2 Argon + CO2 Argon + CO2 + Oxygène	L'argon contrôle les éclaboussures. L'oxygène améliore la stabilité de l'arc.
Aluminium	Argon Argon + Hélium	Stabilité de l'arc, bonne fusion et éclaboussure minimale. Une entrée de chaleur plus grande convient aux éléments lourds. Porosité minimale.
Acier inoxydable	Argon + CO2 + Oxygène Argon + Oxygène	Stabilité de l'arc. Éclaboussure minimale.
Cuivre, nickel et alliages	Argon Argon + Hélium	Convient aux fines épaisseurs en raison de la faible aptitude à l'écoulement de la mare de soudure. Une entrée de chaleur plus grande convient aux éléments lourds.

Communiquez avec le service technique de votre fournisseur de gaz pour connaître les pourcentages des différents gaz qui conviennent le mieux à votre appareil.

Chargement du fil

Votre soudeuse MIG est conçue pour des bobines de fil de 4" (10 cm), 8" (20 cm) ou 12" (30,5 cm) en acier doux, en acier inoxydable ou en aluminium, selon le type de métal que vous désirez souder. Les bobines de fil ne sont pas fournies avec l'appareil et doivent être achetées séparément.

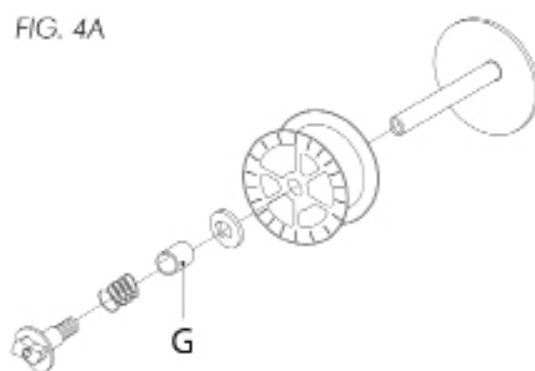
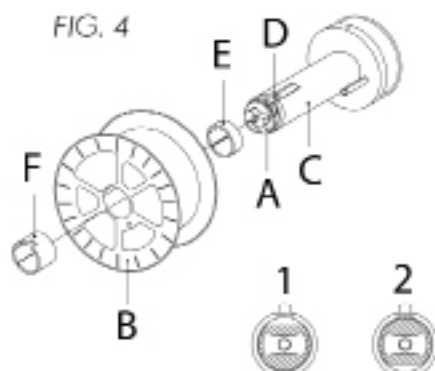


ASSUREZ-VOUS QUE LES ENTRÉES DE GAZ ET D'ÉLECTRICITÉ SONT DÉCONNECTÉES. AVANT L'UTILISATION, RETIREZ LA BUSE ET LE POINT DE CONTACT DU CHALUMEAU.

- Ouvrez le panneau de côté. Desserrez l'écrou (A) du support de dévidoir (position 1) (tambour de frein). Retirez l'entretoise (E). Si vous remplacez la bobine de fil, faites-la sortir en poussant la languette de fixation (D) (Fig. 4).
- Retirez la protection en plastique de la bobine. Placez la bobine sur le support de dévidoir. Fixez l'entretoise à nouveau (seulement pour les bobines de 8" [20 cm]) et serrez l'écrou de blocage (A).

Les bobines de 4" (10 cm) conviennent également à votre soudeuse MIG. Pour fixer une bobine de 4" (10 cm) :

- Retirez la bobine de fil (B) du support de dévidoir (C).
- Desserrez l'écrou (A), retirez le ressort et la rondelle, retirez le support de dévidoir (C) du pivot.
- Insérez la bobine de fil de 4" (10 cm) sur le pivot, fixez la rondelle, l'entretoise (G) et le ressort.
- Serrez l'écrou de blocage.





APPLIQUEZ LA TENSION APPROPRIÉE À L'ÉCROU. UNE TENSION EXCESSIVE FATIGUERA LE MOTEUR D'ALIMENTATION DU FIL. UNE TENSION TROP FAIBLE NE PERMETTRA PAS À LA BOBINE DE FIL DE S'ARRÊTER IMMÉDIATEMENT.

- Desserrez et abaissez le bouton de plastique (A) (Fig. 5). Relâchez la poulie supérieure (B) de l'alimentation. Retirez le fil du guide du chalumeau.
- Lorsque le fil sera déconnecté, saisissez-le avec des pinces afin qu'il ne sorte pas de la bobine. Au besoin, redressez-le avant de l'insérer dans le guide-fil d'entrée (C). Insérez le fil sur la poulie inférieure (D) et dans le guide du chalumeau (E).



AVERTISSEMENT : Gardez le chalumeau droit lorsque vous faites sortir un nouveau fil par le guide-fil, assurez-vous que le fil est coupé droit (sans bavure ni angle) et qu'au moins 1/2" (1,2 cm) à partir du bout est droit (sans courbe). Le non-respect de ces instructions peut endommager le guide-fil.

- Abaissez la poulie supérieure (B) et placez le bouton (A). Serrez un peu. S'il est trop serré, le fil restera bloqué et endommagera le moteur. Si elles ne sont pas assez serrées, les poulies ne feront pas sortir le fil.



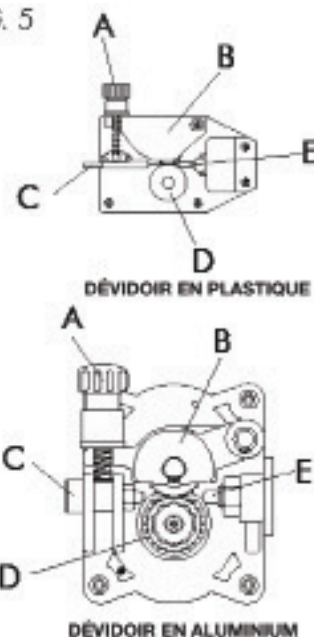
LORSQUE VOUS CHANGEZ LE DIAMÈTRE DE FIL UTILISÉ OU REMPLACEZ LA POULIE D'ALIMENTATION DU FIL, ASSUREZ-VOUS QUE LA CANNELURE ADÉQUATE POUR LE DIAMÈTRE DU FIL CHOISI EST À L'INTÉRIEUR, LE PLUS PRÈS POSSIBLE DE LA MACHINE. LA POULIE DU FIL EST PROPULSÉE PAR LA CANNELURE INTÉRIEURE. LES POULIES D'ALIMENTATION SONT MARQUÉES SUR LE CÔTÉ POUR IDENTIFIER LA CANNELURE LA PLUS PRÈS DE CE CÔTÉ.

- Fermez le panneau de côté de la machine. Branchez le câble d'alimentation à une prise de courant. Actionnez l'interrupteur. Appuyez sur l'interrupteur du chalumeau. Le fil poussé par le moteur d'alimentation du fil à vitesse variable doit glisser par le guide-fil. Lorsqu'il sort par le col de cygne du chalumeau, relâchez l'interrupteur du chalumeau. Éteignez la machine. Montez le point de contact et la buse.



N'APPROCHEZ PAS VOTRE VISAGE DU CHALUMEAU LORSQUE VOUS VÉRIFIEZ SI LE FIL SORT AU BON ENDROIT. VOUS VOUS EXPOSERIEZ À DES BLESSURES CAUSÉES PAR LE FIL SORTANT. N'APPROCHEZ PAS VOS DOIGTS DU MÉCANISME D'ALIMENTATION PENDANT QUE VOUS TRAVAILLEZ! LES POULIES, LORSQU'ELLES SONT EN MOUVEMENT, PEUVENT ÉCRASER LES DOIGTS INSPECTEZ LES POULIES RÉGULIÈREMENT. REMPLACEZ-LES LORSQU'ELLES SONT USÉES ET COMPROMETTENT L'ALIMENTATION CONSTANTE DU FIL.

FIG. 5



Remplacement du guide-fil



AVANT DE SUIVRE CETTE PROCÉDURE, ASSUREZ-VOUS QUE LA CONDUITE D'ALIMENTATION EN GAZ ET LE CÂBLE D'ALIMENTATION SONT DÉBRANCHÉS.

- Débranchez le chalumeau de la machine.
- Placez-le sur une surface plane et retirez soigneusement l'écrou en laiton (1).
- Tirez le guide-fil hors du tuyau.
- Installez le nouveau guide-fil et fixez l'écrou en laiton (1) à nouveau.

Si vous remplacez un guide-fil en Teflon ou en graphite, suivez ces instructions :

- Installez le nouveau guide-fil et insérez le collet de guide-fil (3) et la bague (4).
- Fixez l'écrou en laiton (1).
- Coupez le guide-fil près de l'écrou en laiton.

AVERTISSEMENT : LA LONGUEUR DU NOUVEAU GUIDE-FIL DOIT ÊTRE LA MÊME QUE CELLE DE L'ANCIEN GUIDE-FIL.

- Branchez le chalumeau à la machine et installez le fil dans le système d'alimentation.

Comment choisir le guide-fil pour les connexions directes et Euro des chalumeaux

- Il y a 2 types de guide-fil : les guide-fil en acier et ceux en Teflon.
- Les guide-fil en acier peuvent être recouverts ou non. Les guide-fil recouverts sont utilisés pour les chalumeaux refroidis à l'air.
- Les guide-fil en Teflon sont recommandés pour le soudage de l'aluminium puisqu'ils permettent une douce alimentation en fil.

Préparatifs pour le soudage à l'aide du pistolet-bobine

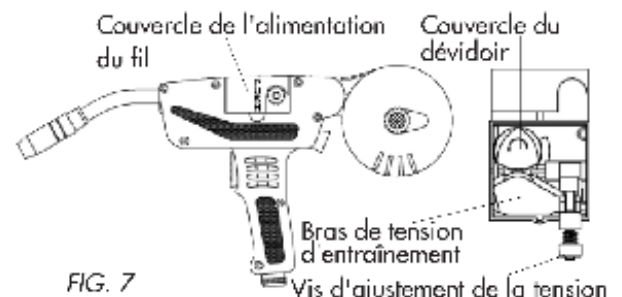


AVERTISSEMENT : LES DÉCHARGES ÉLECTRIQUES PEUVENT ÊTRE MORTELLES! METTEZ TOUJOURS L'INTERRUPTEUR POWER EN POSITION OFF (ARRÊT) ET DÉBRANCHEZ LE CORDON DE LA PRISE D'ALIMENTATION À COURANT ALTERNATIF (C.A.) AVANT D'INSTALLER UN FIL.

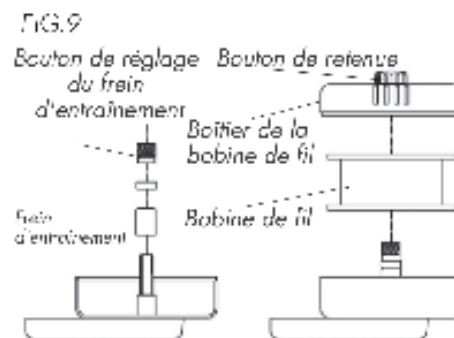
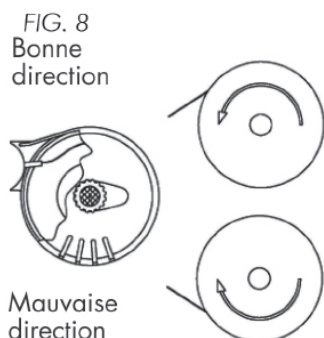
Avant d'installer un fil dans l'unité, la cannelure de dimension appropriée doit être placée dans la bonne position sur le mécanisme d'alimentation du câble.

Ajustez le dévidoir en suivant ces étapes :

1. Ouvrez le couvercle de l'alimentation du fil sur le pistolet-bobine.
2. Enlevez la tension d'entraînement en desserrant la vis d'ajustement et en élevant l'ajusteur de tension d'entraînement à l'écart du bras de tension d'entraînement. Tirez le bras de tension d'entraînement hors du dévidoir.
3. Tournez le couvercle du dévidoir dans le sens antihoraire et retirez-le du dévidoir. Enlevez le dévidoir de son arbre en le tirant. **Remarque :** Le dévidoir possède deux diamètres de cannelures de fil intégrées (0,030" [0,76 mm] et 0,035" [0,89 mm]).
4. Trouvez le côté du dévidoir estampé du même diamètre de fil que le fil que vous installez. Poussez le dévidoir sur son arbre en gardant vers vous le côté estampé du diamètre de fil que vous désirez.
5. Réinstallez le couvercle du dévidoir et verrouillez-le en le tournant dans le sens horaire.
6. Retirez la buse et le point de contact de l'embout du pistolet.



7. Ouvrez le boîtier de la bobine de fil, située à l'arrière du pistolet-bobine, en tournant le bouton de retenue dans le sens antihoraire.
8. Déroulez la bobine de fil et trouvez le bout du fil.
9. Après avoir vérifié que votre soudeuse est débranchée de l'alimentation en courant alternatif (c.a.), libérez le bout du fil de la bobine, mais sans le relâcher sinon le fil se déroulera tout seul.
10. À l'aide d'un coupe-fil, coupez la partie pliée à l'extrémité du fil afin d'avoir une section de fil droite.
11. Déroulez le fil à souder d'environ 6" (15 cm) de la bobine de fil.
12. Insérez l'extrémité du fil dans le tube de guidage (situé dans le boîtier de la bobine de fil). Ensuite, poussez-le dans le dévidoir et dans le pistolet d'environ 6" (15 cm).
13. Alignez le fil avec la cannelure du haut appropriée dans le dévidoir, puis poussez le bras de tension d'entraînement contre le dévidoir.



14. Retournez le tendeur d'entraînement à blocage rapide en place sur le bras de tension d'entraînement.
15. Serrez (dans le sens horaire) le bouton d'ajustement de la tension d'entraînement jusqu'à ce que le rouleau de tension applique une force suffisante sur le fil pour éviter qu'il glisse hors du mécanisme d'entraînement.
16. Relâchez le fil.
17. Placez la bobine sur le mandrin de manière à ce que lorsque le fil sortira de la bobine, il soit conforme à l'illustration du haut dans la Figure 10 à la page 14. Le fil à souder devrait toujours sortir du dessus de la bobine pour s'insérer dans le mécanisme d'entraînement. **REMARQUE TECHNIQUE :** L'utilité du frein d'entraînement est d'arrêter la bobine de fil de tourner environ au même moment que l'alimentation du fil cesse.
18. Réglez la tension du frein d'entraînement. **Remarque :** Il est nécessaire de relâcher le bras de tension d'entraînement pendant que vous réglez la tension du frein d'entraînement. Assurez-vous que le bras de tension d'entraînement est en position verrouillée après avoir ajusté la tension du frein d'entraînement.
 - a) Avec une main, tournez la bobine de fil dans le sens antihoraire. Ainsi, le fil continuera de glisser dans le pistolet; continuez à le tourner tandis que vous ajustez la tension de la bobine.
 - b) Avec votre main libre, serrez (dans le sens horaire) le bouton d'ajustement du frein d'entraînement.
 - c) Arrêtez de serrer lorsque vous sentez une résistance dans la bobine de fil que vous tournez. Arrêtez de tourner la bobine de fil à la main. **REMARQUE :** Si une trop grande tension est appliquée à la bobine de fil, le fil glissera du dévidoir ou ne pourra pas sortir du tout. Si une trop faible tension est appliquée, la bobine de fil tendra à se dérouler toute seule. Réajustez la tension du frein d'entraînement au besoin pour corriger l'un de ces problèmes.
19. Coupez le fil qui dépasse de l'embout du pistolet-bobine à une longueur d'environ 1/2" (1,2 cm).
20. Choisissez un point de contact estampé avec le même diamètre que le fil utilisé.
21. Glissez le point de contact sur le fil en saillie à partir de l'embout du pistolet. Enfilez le point de contact sur l'embout du pistolet et serrez bien à la main.
22. Installez la buse sur le pistolet. Pour de meilleurs résultats, enduisez l'intérieur de la buse avec un vaporisateur ou gel anti-adhérent.
23. Coupez le fil excédentaire qui dépasse de l'embout de la buse.
24. Remplacez le boîtier de la bobine de fil et serrez le bouton d'ajustement en le tournant dans le sens horaire.
25. Branchez le cordon de la soudeuse à une source d'alimentation à courant alternatif (c.a.). Mettez la

soudeuse en marche. Réglez l'interrupteur VOLTAGE (TENSION).

Réglage de la tension de l'alimentation du fil



AVERTISSEMENT : LES COUPS D'ARC PEUVENT BLESSER LES YEUX! POUR RÉDUIRE LES RISQUES DE COUPS D'ARC, ASSUREZ-VOUS QUE LE FIL SORTANT DE L'EMBOUT DU PISTOLET N'ENTRE PAS EN CONTACT AVEC LA MAUVAISE PIÈCE À SOUDER, LA PRISE DE MASSE OU TOUT MATÉRIEL MIS À LA TERRE DURANT LE RÉGLAGE DE LA TENSION D'ENTRAÎNEMENT SINON UN ARC SE PRODUIRA.

1. Ouvrez le couvercle de l'entraînement du fil sur le pistolet-bobine.
2. Appuyez sur la gâchette du pistolet.
3. Tournez le bouton d'ajustement de la tension d'entraînement dans le sens horaire pour augmenter la tension d'entraînement jusqu'à ce que le fil semble se dévider doucement sans glisser.
4. Fermez le couvercle de l'entraînement du fil sur le pistolet-bobine.
5. Lorsqu'il est réglé correctement, il ne devrait pas y avoir de glissement entre le fil et le dévidoir dans des conditions normales.

Ajustement de la position de la bobine

Avant de commencer à souder, vous voudrez peut-être ajuster la position de la bobine afin que vous vous sentiez plus à l'aise. Trois positions sont possibles. Pour changer la position de la bobine :

1. À l'aide d'un tournevis à tête plate, dévissez la vis qui retient le boîtier de la bobine au pistolet.
2. Tirez sur le boîtier pour l'éloigner suffisamment du pistolet afin de pouvoir le faire pivoter.
3. Faites pivoter le boîtier à l'une des trois positions possibles en vous assurant que les cannelures du pistolet sont alignées avec celles du boîtier.
4. Remettez le boîtier en place sur le pistolet en le poussant.
5. À l'aide d'un tournevis à tête plate, serrez la vis qui relie le boîtier de la bobine au pistolet.

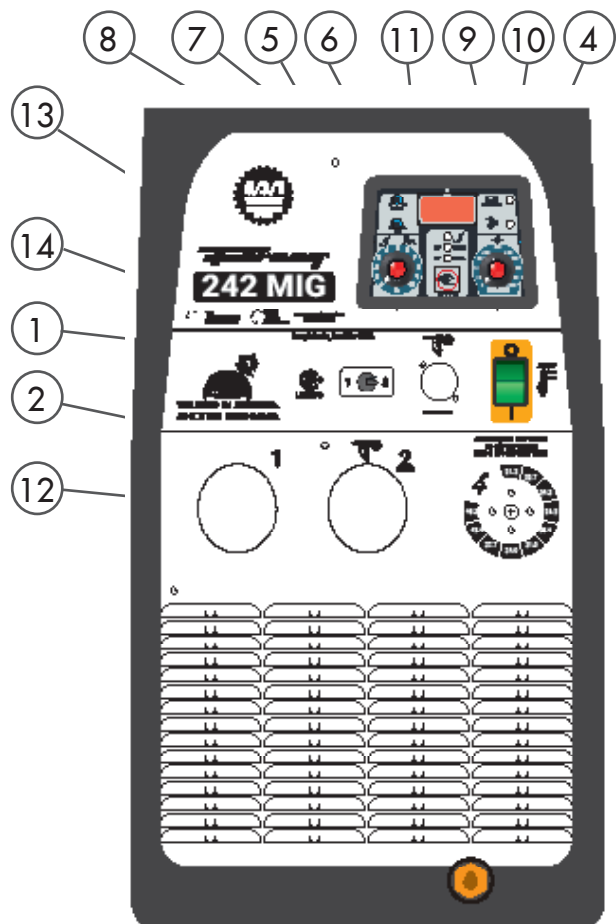
Commandes de la soudeuse

Grâce à une carte électronique spéciale sur les soudeuses de série numérique, il est possible d'ajuster les paramètres de soudage de l'extérieur. L'utilité principale de ces unités est d'ajuster ces paramètres très facilement.

La commande de microprocesseur contrôle les fonctions de la carte de circuits imprimés que l'on peut voir grâce à l'écran DEL tandis qu'un affichage numérique montre les paramètres réglés et le courant de soudage. Les unités peuvent être utilisées soit avec le chalumeau standard (fourni) ou avec le pistolet-bobine.

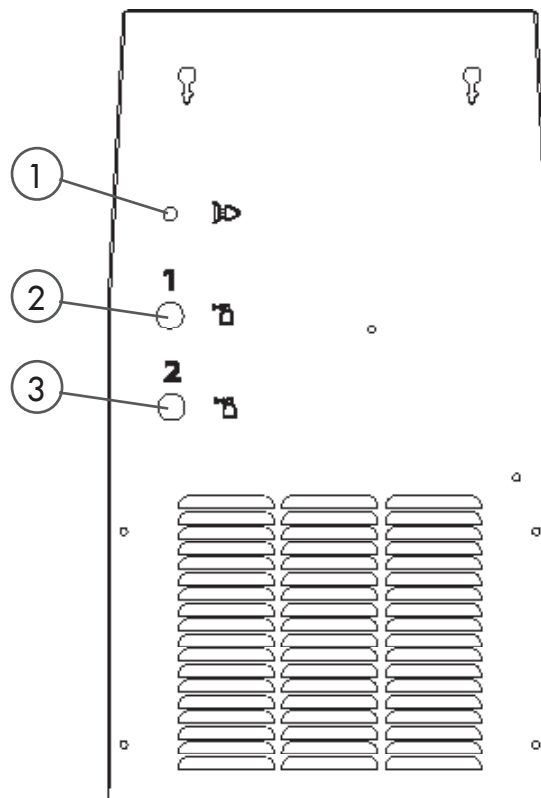
Opération du panneau avant

- 1. Interrupteur principal ON/OFF (MARCHE/ ARRÊT) (vert) :**
S'illumine lorsque vous mettez l'interrupteur de la soudeuse en position ON (MARCHE).
- 2. Bouton d'ajustement de la tension de soudage**
- 3. Connexion du pistolet-bobine**
- 4. Bouton d'ajustement de l'alimentation du fil**
Pour augmenter la vitesse du fil, tournez le potentiomètre dans le sens horaire; pour réduire la vitesse du fil, tournez-le dans le sens antihoraire. La même procédure diminue les valeurs des paramètres de soudage. Tournez le bouton lentement.
- 5. Bouton de régulation du temps de soudure par points MIN 0,4 seconde - MAX. 10 secondes**
- 6. Touche de sélection « MODE » pour la soudure** Utilisez ces touches pour sélectionner les types de soudure suivants :
 - 2T : Soudure 2 temps = manuelle
 - 4T : Soudure 4 temps = automatique
 - Soudure par points automatique avec minuteur
- 7. B.B.T. (temps de retour de flammes)**
Après avoir relâché la gâchette du chalumeau, le fil continuera à sortir pendant un court temps. Cette fonction permet d'éviter que le fil brûle et qu'il colle au point de contact. En tournant le potentiomètre B.B.T. dans le sens horaire à l'aide d'un tournevis, le temps pendant lequel le fil continuera à sortir une fois la gâchette relâchée peut être ajusté.
- 8. PENTE**
En serrant cette vis à l'aide d'un tournevis, vous ajusterez le temps nécessaire au moteur d'alimentation du fil pour atteindre la vitesse sélectionnée.
Pente MIN 0,25 seconde - pente MAX 1,6 seconde
- 9. Indicateur de surchauffe (jaune)**
Ce voyant DEL clignote lorsque l'unité surchauffe. Il s'allumera lorsque la protection thermostatique éteindra la machine et cessera de clignoter seulement après que la machine ait refroidi suffisamment pour continuer à souder.
- 10. Voyant DEL vert du chalumeau du pistolet-bobine.** Il s'allume lorsque le chalumeau du pistolet-bobine est connecté.
- 11. Affichage**
Il permet à l'utilisateur de voir le courant de soudage en temps réel. Après le soudage, l'affichage montrera la valeur du courant de soudage final pendant 3 secondes.
- 12. Connexion du chalumeau**
- 13. Connexion à 7 broches pour le pistolet-bobine (en option)**
- 14. Faites basculer l'interrupteur pour sélectionner le chalumeau**



Opération du panneau arrière

1. Câble d'alimentation
2. Raccord de tuyau du gaz pour le chalumeau 1 (chalumeau MIG)
3. Raccord de tuyau du gaz pour le chalumeau 2 (pistolet-bobine)



Guide d'information technique

Consultez l'arrière de la soudeuse pour les spécifications.

Préparation pour le soudage

- Branchez le câble de mise à la terre à la sortie femelle adéquate au coin inférieur droit de la soudeuse (sur certains modèles, le câble de mise à la terre est déjà branché). Fixez la prise de masse au métal nu à souder et assurez-vous d'un bon contact.
- Assurez-vous que la cannelure de l'alimentation du fil dans le dévidoir corresponde au diamètre du fil utilisé.
- Branchez l'appareil dans une prise adéquate.
- Ouvrez la valve de gaz du détendeur de cylindre de gaz (tournez le bouton dans le sens horaire) et ajustez le détendeur à la position adéquate. Remarque : Peut varier en fonction des différents métaux, de l'épaisseur et des courants.

Soudeuse MIG (GMAW) avec un gaz de protection

Pour le soudage MIG, deux paramètres sont fondamentaux : (1) la tension de soudage et (2) la vitesse du fil. Le courant de soudage est déterminé par ces deux réglages. Réglez les commandes de la tension et de la vitesse du fil de manière convenable pour l'épaisseur des pièces à souder. Ajustez la vitesse du fil pour ajuster correctement le courant de soudage.

Facteurs à prendre en considération pour de meilleurs résultats de soudure

1. Matériaux à souder (acier doux, acier inoxydable, aluminium).
2. Épaisseur des matériaux à souder.
3. Diamètre du fil de soudage.
4. Type de gaz de protection utilisé.

À l'aide du bouton Mode, sélectionnez le mode de gâchette.

- 2T : le processus de soudage commence lorsque la gâchette du chalumeau est enfoncée et arrête lorsque la gâchette est relâchée.
- 4T : le processus de soudage commence lorsque la gâchette est enfoncée puis relâchée. Le soudage se poursuit tant que la gâchette n'est pas enfoncée puis relâchée une seconde fois. Ce mode est idéal pour les travaux de soudure très longs ou pour du soudage automatique.
- Soudure par points avec minuteur : soudure par points automatique avec minuteur. Ce procédé permet des soudures par points répétées chaque fois que la gâchette est enfoncée. La durée de la soudure par points est contrôlée par le bouton (5). L'utilisation d'une buse pour la soudure par points est recommandée.

Réglage pour la soudure de l'aluminium

La soudeuse devrait être réglée pour le soudage de l'acier sauf dans les cas suivants : utilisez de l'argon à 100 % comme gaz de protection. Assurez-vous que le pistolet-bobine est réglé pour le soudage de l'aluminium avec un guide-fil en Teflon et que sa longueur n'excède pas 10' (3 m). Assurez-vous que le point de contact et le galet d'entraînement conviennent au fil d'aluminium.

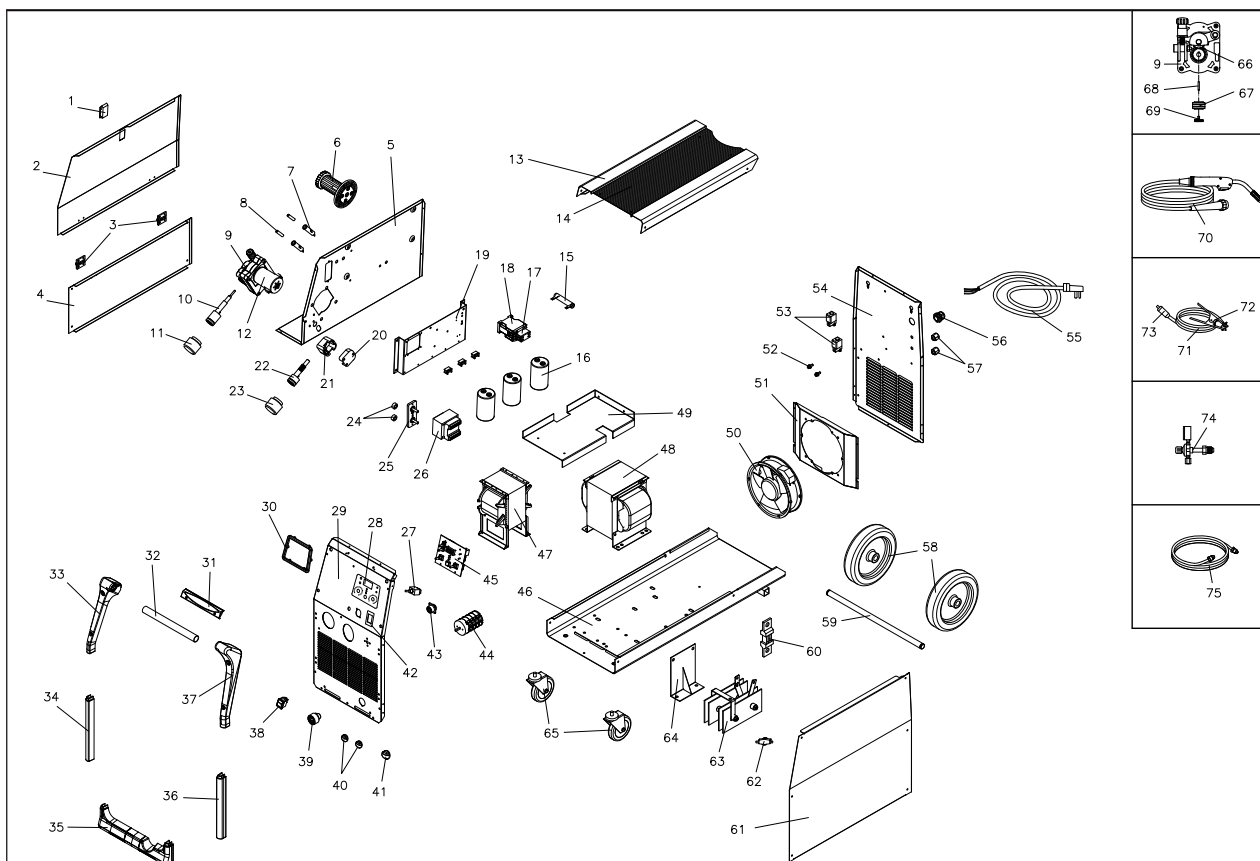
L'utilisation d'un pistolet-bobine est recommandée pour le soudage de l'aluminium et tout autre matériau qui nécessite l'utilisation d'un fil doux, ainsi que les travaux nécessitant l'utilisation d'un câble de chalumeau allongé.

Liste des pièces

RÉF. NUMÉRO	NUMÉRO DE PIÈCE	DESCRIPTION DE L'ARTICLE	QTÉ
01	85005	LOQUET	1
02	05000287	PANNEAU DE GAUCHE	1
03	85513	CHARNIÈRE EN PLASTIQUE POUR LA PORTE	1
04	33705777 376C	PETIT PANNEAU DE GAUCHE	1
05	33720311 9005	PANNEAU SÉPARATEUR	1
06	04600275	PORTE-BOBINES	1
07	85130	PORTE-FUSIBLES	1
08	85129	FUSIBLE	10
09	44410081	DÉVIDOIR MÉTALLIQUE	1
10	23005542	BRANCHEMENT EURO BINZEL	1
11	21690675	BRANCHEMENT EURO PROTECTION EN PLASTIQUE	1
12	22810030	MOTEUR	1
13	33705735 376C	COUVERCLE	1
14	30905054	TAPIS DE PROTECTION	1
15	22305004	RÉSISTANCE	1
16	85081	CONDENSATEUR	1
17	85042	CONTACTS AUXILIAIRES	1
18	85023	CONTACTEUR	1
19	33640145	SUPPORT EN MÉTAL POUR LE TRANSFORMATEUR AUXILIAIRE	1
20	21690398	PIÈCE EN PLASTIQUE POUR FIXER LE PISTOLET-BOBINE	1
21	21690822	BOÎTIER EN PLASTIQUE POUR LA CONNEXION DU PISTOLET-BOBINE	1
22	23005555	PETITE CONNEXION EURO POUR LE PISTOLET-BOBINE	1
23	21690828	COUVERCLE EN PLASTIQUE POUR LA CONNEXION DU PISTOLET-BOBINE	1
24	85551	VOLANT MOLETÉ	2
25	04600166	TABLEAU DE CONVERSION GAZ-SANS GAZ	1
26	44140054	TRANSFORMATEUR AUXILIAIRE	1
27	22200033	INTERRUPTEUR DE COURANT POUR LE SOUDAGE	1
28	77650447	CARTE DE CIRCUIT IMPRIMÉ DU PANNEAU AVANT	1
29	05000285	PANNEAU AVANT	1
30	21690429	CADRE DE LA CARTE DE CIRCUIT IMPRIMÉ	1
31	85579	PROFILÉ SUPÉRIEUR EN PLASTIQUE	1
32	33725134 9005	TUBE POUR LA POIGNÉE	1
33	85578	POIGNÉE GAUCHE	1
34	21690771	PROFILÉ DE CÔTÉ EN PLASTIQUE	1
35	21690768	CADRE INFÉRIEUR EN PLASTIQUE	1
36	21690770	PROFILÉ DROIT EN PLASTIQUE	1
37	85577	POIGNÉE DROITE	1
38	22200051	INTERRUPTEUR BIPOLAIRE	1
39	22100009K	DOUILLE DINSE	1

RÉF. NUMÉRO	NUMÉRO DE PIÈCE	DESCRIPTION DE L'ARTICLE	QTÉ
40	85555	BOUTON AVEC COUVERCLE ET INDEX	1
41	85574	BOUTON NOIR POUR INTERRUPTEUR	1
42	77601051	ÉTIQUETTE JAUNE POUR INTERRUPTEUR DE MISE EN MARCHÉ ET ARRÊT	1
43	40211532	ENSEMBLE DE FILS POUR LE CHALUMEAU DU PISTOLET-BOBINE	1
44	85530	INTERRUPTEUR	1
45	22710084	CARTE DE CIRCUIT IMPRIMÉ DE COMMANDE DU MOTEUR	1
46	33700427 9005	PANNEAU INFÉRIEUR	1
47	44135176	ÉTRANGLEUR	1
48	44120195	TRANSFORMATEUR	1
49	30490172	DÉBIT D'AIR EN PLEXIGLASS	1
50	85560	VENTILATEUR	1
51	33640628	CONVOYEUR EN MÉTAL	1
52	22910004K	EMBOUT DU TUYAU	1
53	85052	VALVE DU SOLÉNOÏDE	1
54	05000286	PANNEAU ARRIÈRE	1
55	20220173	CORDON D'ALIMENTATION	1
56	21605040K	INTERRUPTEUR D.20	2
57	22910110	CONNECTEUR FEMELLE À GAZ	1
58	85545	ROUE	1
59	55200036	ARBRE DE ROUE	1
60	22600043	SHUNT D'AMPÈREMÈTRE	1
61	05000288	PANNEAU DROIT	1
62	85203	THERMOSTAT COMPLET	1
63	22400085	REDRESSEUR	1
64	33640603	SUPPORT EN MÉTAL POUR REDRESSEUR	1
65	21625003	ROUE PIVOTANTE EN CAOUTCHOUC	1
66	33805007K	POULIE BLOQUANTE DU FIL	1
67	85509	DÉVIDOIR	1
67	85511	DÉVIDOIR	1
68	85520	CLAVETTE PLATE	10
69	85557	BOUTON SÉCURISÉ DU DÉVIDOIR	1
70	23000453	CHALUMEAU DE PISTOLET MIG	1
71	43210220K	CÂBLE DE MISE À LA TERRE	1
72	22110026K	PRISE DE MASSE	1
73	22100003K	CONNECTEUR DINSE	1
74	22905101	RÉDUCTEUR S	1
75	30900036	TUYAU À GAZ NOIR	1

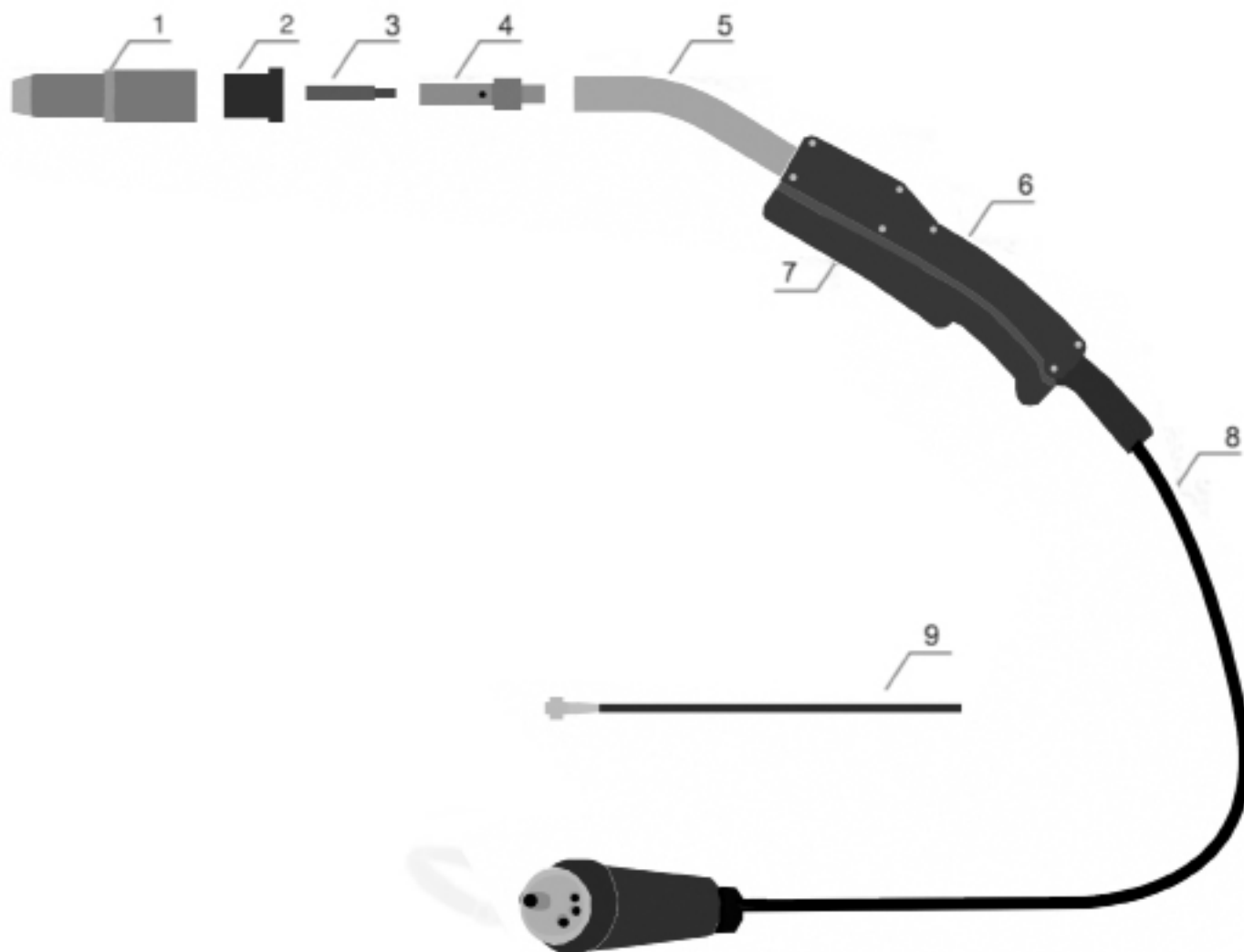
Schéma des pièces



Liste des pièces de rechange du chalumeau du pistolet MIG

NO	RÉFÉRENCE	DESCRIPTION DE L'ARTICLE	QTÉ
1	23005552	BUSE DE CHALUMEAU TWECO 22-62	1
02	23005525K	ISOLATEUR PAQUET DE 1	1
03	23005526K	POINT DE CONTACT DE 0,9 MM POUR TW2 14-35 PAQUET DE 10 PIÈCES	10
03	23005521K	POINT DE CONTACT DE 0,8 MM POUR TW2 14-30 PAQUET DE 10 PIÈCES	10
03	23005522K	POINT DE CONTACT DE 1,2 MM POUR TW2 14-45 PAQUET DE 10 PIÈCES	10
04	23005527K	DIFFUSEUR DE GAZ TWECO TW2 PAQUET DE 1	1

NO	RÉFÉRENCE	DESCRIPTION DE L'ARTICLE	QTÉ
05	23005528k	COL DE CYGNE TW2 62A-45 PAQUET DE 1	1
06	23005529K	POIGNÉE NOIRE POUR CHALUMEAU TW200 PAQUET DE 1	1
07	23005530K	GÂCHETTE DE CHALUMEAU PAQUET DE 1	1
08	23005553	CÂBLE COAXIAL DE 25MM2 38CM	1
09	23005554	GUIDE-FIL EN ACIER 0,030-0,035	1



Forney®

MANUAL DE INSTRUCCIONES DE LA SOLDADORA DUAL MIG 242



CARACTERÍSTICAS:

- Salida de 240 A
- Entrada de 230 V
- Antorcha de alto rendimiento
- Sistema impulsor de aluminio
- Suelda acero y aluminio con solo presionar un interruptor
- 2 conexiones tipo europea, 1 destinada a las pistolas de bobina
- Fácil de usar, aumenta la productividad
- Lectura digital de amperios reales
- Tres modos de gatillo con temporizador de soldadura por puntos
- La pistola de bobina opcional aumenta la versatilidad
- Controles de inclinación y retroceso de alambre
- Capacidad para transferencia de rociado
- 2 solenoides de gas

IDEAL PARA:

Soldadura de acero, acero inoxidable y aluminio; fabricaciones generales, carrocerías de automóviles, granjas y ranchos, chapas de metal, contratistas y mucho más...

INCLUYE:

Antorcha con cable; cable con conexión a tierra y abrazadera; cable de entrada de energía; regulador y manguera de gas; juego de ensamblaje de las ruedas; caja de consumibles.

ESPAÑOL



WELDING IN AMERICA.
SINCE THE BEGINNING.



5/3/1
WARRANTY
CAT. N.º 327
REV 09/01/15

¡DETÉNGASE! NO LA DEVUELVA A LA TIENDA

Si tiene preguntas o problemas con su nueva soldadora, comuníquese con atención al cliente al **+1-800-521-6038**, de lunes a viernes de 7.00 a 17.00, hora estándar de la montaña (MST) o ingrese a www.forneyind.com/customer_service.

Tómese un momento para registrar su producto en www.forneyind.com/customer_service/register_your_product/

Gracias y disfrute de su nueva soldadora.



CINCO MANERAS DE HACER SU PEDIDO

Página web:

www.forneyind.com

Teléfono: +1-800-521-6038

Fax: +1-970-498-9505

Correo postal: Forney Industries
2057 Vermont Drive
Fort Collins, CO
80525

Correo electrónico:

sales@forneyind.com

Depósitos en los EE. UU.:

- Fort Collins, CO
- Tipp City, OH

Copyright© 2014 Forney Industries, Inc. Todos los derechos reservados. La reproducción y/o distribución no autorizada está sujeta a las leyes de propiedad intelectual de los EE. UU.

Compromiso de Forney

Estamos comprometidos con su éxito sin importar la ubicación, el tamaño o las necesidades. Sabemos que su meta es hacer un buen trabajo y estamos listos para ayudarlo a que lo logre.

Mensaje del presidente

Nuestra empresa comercializa herramientas, equipos y accesorios de la más alta calidad para aficionados y profesionales. Nuestra pasión y dedicación para ofrecer nuevos productos al mercado industrial y minorista, combinadas con nuestro servicio personal, son inigualables en nuestra industria. Nuestra capacidad de escuchar las necesidades de nuestros clientes nos permite crear soluciones a sus problemas.

Nuestra dedicación a la atención al cliente de la más alta calidad dentro de nuestras oficinas corporativas y el servicio que prestamos en este campo es incomparable. Nos comprometemos a crear las mejores soluciones para las necesidades de nuestros clientes. Sobre todo, nuestros empleados brindarán la misma actitud respetuosa y atenta dentro de la organización y se espera que la compartan con cada cliente de Forney. Nuestra meta es superar las expectativas de nuestros clientes a través de personas capacitadas, guiadas por valores y compromisos compartidos.

Trabajamos duro para que nuestros clientes confíen en nosotros por nuestra integridad, trabajo en equipo e innovación de los productos Forney, y la calidad inigualable de los productos de Forney a lo largo de 80 años y un compromiso irrenunciable con nuestros clientes.

Cuando a nuestros clientes les va bien, a nosotros nos va bien.

STEVEN G. ANDERSON, Presidente y Director Ejecutivo

Garantía limitada 5/3/1 de Forney

A partir del 1.º de julio del 2015

- 1) Garantía limitada:** Sujeta a los términos y condiciones descritos a continuación, Forney Industries, Inc., Fort Collins, Colorado, garantiza a su comprador minorista original que el equipo Forney vendido luego de la fecha de entrada en vigencia de esta garantía limitada está libre de defectos en el material y la mano de obra al momento de envío por parte de Forney. Esta reemplaza a cualquier otra garantía, ya sea explícita o implícita.
- 2) Notificaciones:** Comuníquese al **+1-800-521-6038** en caso de dudas acerca de su garantía. También puede visitar: www.forneyind.com para obtener más información acerca de su nueva soldadora o sistema de plasma.
- 3) Duración de la garantía:** Dentro de los períodos de garantía mencionados a continuación, Forney reemplazará o reparará cualquier pieza o componente garantizado con defectos en el material o la mano de obra. La garantía entra en vigencia a partir de la fecha de compra minorista original. A continuación se indica la duración de la garantía.
 - A) 5 años:** Los rectificadores de energía principales originales solo incluyen RCS (Rectificador controlado de silicio), diodos y módulos rectificadores discretos, transformadores, estabilizadores y reactores.
 - B) 3 años:** Sistemas impulsores, tarjetas de circuito impreso, motores e interruptores y controles
 - C) 1 año:** Pistolas MIG, relés, contactores y reguladores, antorchas de corte por plasma y accesorios.
 - D) 90 días:** Piezas de repuesto. No incluye mano de obra.
- 4) La garantía limitada de Forney no se aplicará a consumibles tales como piezas de contacto, boquillas de corte, limpiador de alambre de fieltro, rodillos impulsores, difusores de gas, electrodos y puntas de antorchas de plasma, cables de soldado, puntas y piezas que fallan debido al desgaste normal. Asimismo, esta garantía no cubre ningún daño causado por el reemplazo o mantenimiento inoportuno de cualquiera de las piezas consumibles antes mencionadas.
- 5) Garante:**

Forney Industries
2057 Vermont Drive
Fort Collins, CO 80525
+1-800-521-6038
www.forneyind.com
- 6) Comprador/Garantía:** El comprador original del producto de Forney Industries. La garantía no es transferible. Los productos de Forney Industries están destinados a la compra y el uso por parte de personas capacitadas y con experiencia en el uso y mantenimiento de equipos para soldar.
- 7) Lo que no cubre la garantía:**
 - A) Las garantías implícitas, que incluyen aquellas de comercialización e idoneidad para un propósito en particular, se limitan, en cuanto a su duración, a lo estipulado en la presente garantía. Luego de este período, todos los riesgos de pérdida, cualquiera sea la razón, serán responsabilidad del comprador.
 - B) Cualquier pérdida, daño o gasto incidental, indirecto o consecuente que pudiera derivar de cualquier defecto, falla o mal funcionamiento del producto Forney.
 - C) Cualquier falla derivada de un accidente, uso indebido por parte del comprador, negligencia o falla en el funcionamiento de los productos, de acuerdo con las instrucciones proporcionadas en el/los manual(es) del propietario suministrado(s) con el producto.
 - D) Servicio previo a la entrega, es decir, ensamblaje y ajustes.
- 8) Reclamo:** En caso de reclamo de garantía bajo la presente, las soluciones exclusivas serán a entera discreción de Forney Industries:
 - A) la reparación; o
 - B) el reemplazo; o
 - C) cuando sea autorizado por escrito por Forney Industries, el costo de la reparación o reemplazo en un centro de servicio técnico autorizado de Forney Industries; o
 - D) el pago o crédito por el precio de compra menos la depreciación razonable basada en el uso real al momento de la devolución de los productos por cuenta y riesgo del cliente.
- 9) El comprador:**
 - A) Se comunicará con Atención al cliente de Forney, al **+1-800-521-6038** dentro de los 30 días posteriores a que ocurra la falla o se detecte el defecto.
 - B) Proporcionará el comprobante de compra con fecha (por lo general, el recibo de compra).
 - C) Proporcionará el número de serie. Si registra su soldadora en forneywelding.forneyind.com, el proceso será más veloz.
 - D) Entregará o enviará la soldadora al centro de servicio técnico autorizado de Forney. El comprador será responsable de los costos de flete y/o empaque, si los hubiera.

¡PRECAUCIÓN!

ANTES DE INSTALAR, UTILIZAR O REALIZAR EL MANTENIMIENTO EN LA MÁQUINA, LEA EL CONTENIDO DE ESTE MANUAL DETENIDAMENTE, PRESTANDO ESPECIAL ATENCIÓN A LAS REGLAS DE SEGURIDAD Y PELIGROS.

En el caso de que estas instrucciones no le resulten claras, comuníquese con su vendedor de Forney autorizado o con Atención al cliente de Forney al +1-800-521-6038

Información de seguridad

Normas de seguridad principales

- Seguridad en soldaduras y cortes, Norma ANSI Z49.1, de la Asociación Americana de Soldadura (American Welding Society), 8669 Doral Boulevard, Suite 130, Doral, FL 33166, Normas de Seguridad y Salud, OSHA 29, CFR 1910, del Superintendente de Documentos, Oficina de Imprenta del Gobierno de los EE. UU., Washington, D.C. 20402.
- Prácticas de seguridad recomendadas para la preparación para el soldado y corte de recipientes que contienen sustancias peligrosas, Asociación Americana de Soldadura (American Welding Society) AWS F4.1, de American Welding Society, 8669 Doral Boulevard, Suite 130, Doral, FL 33166.
- Código de Electricidad Nacional, Norma NFPA 70, de la Asociación Nacional de Protección contra Incendios (National Fire Protection Association), Batterymarch Park, Quincy, MA 02269.
- Manejo seguro de Gases comprimidos en cilindros, CGA, Panfleto P-1, de la Asociación de Gases Comprimidos (Compressed Gas Association), 1235 Jefferson Davis Highway, Suite 501, Arlington, VA 22202.
- Código de seguridad en soldaduras y cortes, Norma CSA W117.2, de la Asociación Canadiense de Estándares (Canadian Standards Association), Estándares de venta, 178 Rexdale Boulevard, Rexdale, Ontario, Canada M9W 1R3.
- Prácticas seguras para la protección ocupacional y educativa de ojos y rostro, Norma ANSI Z87.1, del Instituto Nacional Estadounidense de Estándares (American National Standards Institute), 1430 Broadway, New York, NY 10018.
- Procesos de corte y soldadura, Norma NFPA 51B, de la Asociación Nacional de Protección contra Incendios (National Fire Protection Association), Batterymarch Park, Quincy, MA 02269.

Advertencia de la Proposición 65 de California

Este producto puede contener sustancias químicas identificadas por el estado de California como causantes de cáncer, defectos congénitos y otros tipos de daños en la función reproductora (CA. Prop. 65). Lávese las manos después de su uso.

Información sobre EMF (Campos electromagnéticos)

La corriente de soldado o corte, a medida que fluye a través de los cables de soldado o corte, generará campos electromagnéticos. Ha habido, y aún existe, cierto grado de preocupación acerca de dichos campos. Sin embargo, luego de un análisis, el comité del Consejo Nacional de Investigación (National Research Council) concluyó que: "El cuerpo de la evidencia, a juicio del comité, no ha demostrado que la exposición a un campo de frecuencia eléctrica y magnética constituya una amenaza para la salud humana". No obstante, los estudios aún se están realizando y se continúa estudiando la evidencia. Hasta arribar a las conclusiones finales de la investigación, sería conveniente que minimice su exposición a campos electromagnéticos al realizar tareas de soldado o corte.

Para reducir los campos magnéticos en el lugar de trabajo, ponga en práctica los siguientes procedimientos:

1. Mantenga los cables juntos trenzándolos o encintándolos.
2. Coloque los cables hacia un lado y lejos del operador.
3. No enrolle los cables ni cubra su cuerpo con ellos.
4. Mantenga la fuente de energía y los cables de soldado o corte tan lejos del operador como resulte práctico.
5. Conecte la abrazadera de trabajo a la pieza tan cerca del corte o la soldadura como sea posible.

ACERCA DE LOS MARCAPASOS Y AUDÍFONOS:

Las personas con marcapasos y audífonos deben consultar primero al médico. Si el médico lo autoriza, se recomienda seguir los procedimientos detallados anteriormente.

Protección personal

Los procesos de soldado de cualquier tipo pueden ser peligrosos no solo para el operador sino también para las personas ubicadas cerca del equipo si no se cumplen con las reglas de operación y seguridad de manera estricta.



EL ARCO DE SOLDADURA PRODUCE LUZ ULTRAVIOLETA E INFRARROJA MUY BRILLANTE. ESTOS RAYOS DEL ARCO DAÑAN LOS OJOS Y QUEMAN LA PIEL SI USTED NO ESTÁ DEBIDAMENTE PROTEGIDO.

Para reducir el riesgo de lesiones causadas por los rayos del arco, lea, comprenda y siga las instrucciones de seguridad. Además, asegúrese de que cualquier persona que utiliza este equipo para soldar, o la persona que está presente en el área de soldado, también comprenda y siga estas instrucciones de seguridad. Los cascos y el filtro deben cumplir con las normas ANSI Z87.1.

- No mire un arco eléctrico sin la protección adecuada. Un arco de soldadura es extremadamente brillante e intenso y, con protección ocular inadecuada o sin ella, la retina puede quemarse, dejando un punto oscuro permanente en el campo visual. Debe usarse un protector o casco y lentes con filtro de sombra n.º 10 (como mínimo).
- No encienda un arco de soldadura hasta que todas las personas presentes y usted (el soldador) tengan puestos los protectores de soldadura y/o cascos.
- No use un casco roto o quebrado y reemplace de inmediato las lentes con filtro quebradas o rotas.
- No permita que la parte sin aislante de la pistola de alimentación de alambre toque la abrazadera de descarga a tierra o el trabajo conectado a tierra para evitar que se cree un destello de arco al entrar en contacto.
- Proporcione a las personas presentes protectores o cascos que tengan lentes con filtro de sombra adecuados.
- Use ropa de protección. La luz intensa del arco de soldadura puede quemar la piel del mismo modo que el sol, incluso a través de ropa liviana. Utilice ropa oscura de material grueso. La camisa que use debe ser de manga larga, con el cuello abotonado para proteger el pecho y el cuello.
- Protéjase del reflejo de los rayos del arco. Los rayos del arco pueden reflejarse en superficies brillantes, como una superficie con pintura brillante, aluminio, acero inoxidable y vidrio. El reflejo de los rayos del arco pueden causar lesiones oculares, incluso cuando se usa un casco protector u otro tipo de protección. Si realiza una soldadura con una superficie reflectante detrás de usted, los rayos del arco pueden rebotar en la superficie y en las lentes con filtro. Pueden ingresar a su casco o protector y a los ojos. Si existe un fondo reflectante en el área de soldado, quítelo o cúbralo con algo que no sea inflamable ni reflectante. Los rayos reflectantes del arco también pueden causar quemaduras en la piel, además de lesiones oculares.
- Las chispas despedidas pueden causar lesiones. Use el equipo de seguridad adecuado para protegerse los ojos y el rostro. Dé forma al electrodo de tungsteno con la amoladora en un lugar seguro y usando la protección adecuada. Mantenga alejado de los materiales inflamables y evite incendios causados por chispas despedidas.



¡LOS HUMOS, GASES Y VAPORES PUEDEN CAUSAR MALESTAR, ENFERMEDAD Y LA MUERTE!

Para reducir los riesgos, lea, comprenda y siga las instrucciones de seguridad. Además, asegúrese de que cualquier persona que utiliza este equipo para soldar, o la persona que está presente en el área de soldado, también comprenda y siga estas instrucciones de seguridad.

- Lea y comprenda la hoja de datos de seguridad (SDS) y la hoja de datos de seguridad del material (MSDS) del fabricante.
- No suelde en un área hasta que se verifique si existe una ventilación adecuada, como se describe en la norma ANSI Z49.1. Si la ventilación no es adecuada para el intercambio de todos los humos y gases generados durante el proceso de soldadura con aire fresco, no suelde, salvo que usted (el soldador) y todas las personas presentes estén usando respiradores con suministro de aire.
- No caliente metales que contengan o estén recubiertos con materiales que produzcan humos tóxicos (como acero galvanizado), salvo que se retire el revestimiento. Asegúrese de que el área esté bien ventilada, y que el operador y todas las personas presentes estén usando respiradores con suministro de aire.
- No suelde, corte ni caliente plomo, zinc, cadmio, mercurio, berilio, antimonio, cobalto, manganeso, selenio, arsénico, cobre, plata, bario, cromo, vanadio, níquel o metales similares sin asesoramiento profesional y una inspección de la ventilación del área de soldado. Estos metales producen humos extremadamente tóxicos que pueden causar malestar, enfermedad o la muerte.

- No suelde ni corte en áreas cercanas a solventes clorados. Los vapores de hidrocarburos clorados, como el tricloroetileno y percloroetileno, se pueden descomponer por acción del calor de un arco eléctrico o su radiación ultravioleta. Estas acciones pueden causar fosgeno, un gas altamente tóxico, además de otros gases que irritan los pulmones y los ojos. No suelde ni corte en lugares donde los vapores solventes puedan llegar al área de trabajo, o en donde la radiación ultravioleta pueda penetrar áreas que contengan incluso pequeñas cantidades de esos vapores.
- No suelde en un espacio cerrado, salvo que esté ventilado o el operador (y cualquier otra persona en el área) esté usando un respirador con suministro de aire.
- Deje de soldar si presenta irritación momentánea en los ojos, nariz o garganta, ya que es una señal de ventilación inadecuada. Detenga la tarea y tome las medidas necesarias para mejorar la ventilación en el área de soldado. No continúe con las tareas de soldado si persiste el malestar físico.

Prevención de incendios



¡LOS INCENDIOS O EXPLOSIONES PUEDEN CAUSAR LA MUERTE, LESIONES Y DAÑOS MATERIALES!

Para reducir estos riesgos, lea, comprenda y siga las instrucciones de seguridad. Además, asegúrese de que cualquier persona que utiliza este equipo para soldar, o la persona que está presente en el área de soldado, también comprenda y siga estas instrucciones de seguridad. Recuerde: por naturaleza, la soldadura por arco produce chispas, salpicaduras calientes, gotas de metal fundido, escorias calientes y partes metálicas calientes que pueden iniciar incendios, quemar la piel y dañar los ojos.

- No use guantes ni prendas que contengan aceite, grasa u otras sustancias inflamables.
- No use productos inflamables en el cabello.
- No toque el cordón de soldadura o charco de fusión de soldadura caliente hasta que esté completamente frío.
- No suelde en un área hasta que se verifique y se quiten los materiales combustibles y/o inflamables. Tenga en cuenta que las chispas y la escoria pueden volar 35 pies (10,7 m) y pueden pasar a través de pequeñas grietas y aberturas. Si el trabajo de soldado y los materiales combustibles no pueden estar a una distancia de separación de un mínimo de 35 pies (10,7 m), protéjase de la ignición con cubiertas o protectores adecuados de ajuste ceñido y resistentes al fuego.
- No suelde en paredes hasta verificar y eliminar los materiales combustibles apoyados sobre el otro lado de las paredes.
- No suelde, corte ni realice otro tipo de trabajo en barriles, tambores, tanques u otros recipientes usados que hayan tenido una sustancia inflamable o tóxica. Las técnicas para la eliminación de sustancias y vapores inflamables, a fin de hacer que un recipiente usado sea seguro para soldadura o corte, son muy complejas y requieren de capacitación y entrenamiento especial.
- No encienda un arco sobre un cilindro de gas o de aire comprimido. Si lo hace, creará un área frágil que puede dar lugar a una ruptura violenta de inmediato o en un momento posterior, como consecuencia de un mal manejo.
- No suelde ni corte en un área donde el aire puede contener polvo inflamable (como polvo de granos), gas o vapores de líquidos (como gasolina).
- No manipule el metal caliente, como la pieza de trabajo o las colillas de electrodos, con las manos sin protección.
- Use guantes de cuero, camisa gruesa de manga larga, pantalones sin dobladillo, calzado de caña alta, casco y gorra. Si es necesario, use ropa de protección adicional, como chalecos o mangas de cuero, polainas o delantales resistentes al fuego. Las chispas y las salpicaduras de metal caliente se pueden alojar en las mangas arremangadas, los pantalones con dobladillo o los bolsillos. Las mangas y el cuello deben mantenerse abotonados y se deben quitar los bolsillos del frente de la camisa.
- Tenga a mano el equipo extintor de incendios para que pueda utilizarlo de inmediato. Se recomienda un extintor de incendios de polvo químico portátil de tipo ABC.
- Use tapones para los oídos al soldar por encima de la cabeza a fin de evitar que las salpicaduras o escorias le caigan en los oídos.
- Asegúrese de que el área de soldado tenga un piso bueno, firme y seguro, de preferencia de concreto o mampostería, sin mosaicos, alfombras o materiales inflamables.
- Proteja las paredes, los techos y los pisos inflamables con cubiertas o protectores resistentes al calor.
- Verifique el área de soldado, antes de abandonarla, para asegurarse de que no hayan quedado chispas, metal ardiente o escoria ni llamas.

- Use prendas sin derivados del petróleo u otras sustancias inflamables, como guantes de cuero, camisas gruesas de algodón sin materiales sintéticos, pantalones sin dobladillo, calzado cerrado. Mantenga el cabello largo recogido hacia atrás.
- Quite los materiales combustibles como encendedores y fósforos antes de soldar.
- Siga los requisitos de la OSHA y NFPA para trabajos en caliente y tenga un extintor cerca.

Radiación de alta frecuencia

- La alta frecuencia (HF) puede interferir con la radionavegación, servicios de seguridad, computadoras y equipos de comunicación.
- Es responsabilidad del usuario hacer que un electricista calificado resuelva rápidamente cualquier problema de interferencia que pueda derivar de la instalación. El electricista debe verificar regularmente y realizar tareas de mantenimiento en la instalación.
- Deje de usar el equipo si la Comisión Federal de Comunicaciones (FCC) le notifica sobre interferencias.
- Mantenga las puertas y paneles de las fuentes de HF completamente cerrados y mantenga la distancia entre electrodos en el ajuste correcto.

Soldadura por arco

- Las computadoras y los equipos controlados por computadora pueden dañarse con la energía electromagnética.
- Asegúrese de que todo el equipo sea compatible con la energía electromagnética.
- Mantenga los cables de soldar cortos para reducir la interferencia.
- Siga el manual para instalar y conectar a tierra la máquina.
- Si la interferencia continúa, proteja el área de trabajo o traslade la máquina soldadora.

Descarga eléctrica



ADVERTENCIA: ¡LAS DESCARGAS ELÉCTRICAS PUEDEN CAUSAR LA MUERTE!

Para reducir el riesgo de muerte o lesiones graves causadas por descarga eléctrica, lea, comprenda y siga las instrucciones de seguridad. Además, asegúrese de que cualquier persona que utiliza este equipo para soldar, o la persona que está presente en el área de soldado, también comprenda y siga estas instrucciones de seguridad.

¡IMPORTANTE! PARA REDUCIR EL RIESGO DE MUERTE, LESIONES O DAÑOS MATERIALES, NO INTENTE UTILIZAR

este equipo para soldar hasta que haya leído y comprendido el siguiente resumen de seguridad.

- De ninguna manera, entre en contacto físico con alguna pieza del circuito de corriente de soldado. El circuito de corriente de soldado incluye lo siguiente:
 - a. la pieza de trabajo o cualquier material conductor que hace contacto con este,
 - b. la abrazadera de descarga a tierra,
 - c. el electrodo o alambre para soldar,
 - d. cualquier pieza de metal en el portaelectrodo, o una pistola de alimentación de alambre.
- No suelde en un lugar húmedo ni entre en contacto con una superficie húmeda o mojada.
- No intente soldar si alguna parte de la ropa o el cuerpo está mojado.
- No permita que el equipo para soldar entre en contacto con agua o humedad.
- No arrastre los cables de soldar, la pistola de alimentación de alambre o el cable eléctrico de la soldadora por agua o humedad ni permita que entren en contacto con tales elementos.
- No toque la soldadora ni intente encenderla o apagarla si alguna parte del cuerpo o la ropa está húmeda o si usted está en contacto físico con agua o humedad.
- No intente enchufar la soldadora en la fuente de energía si alguna parte del cuerpo o la ropa está húmeda o si usted está en contacto físico con agua o humedad.
- No conecte la abrazadera de la pieza de trabajo de la soldadora a conductos eléctricos ni suelde en estos.
- No modifique el cable eléctrico ni el enchufe de este de ninguna manera.
- No intente conectar la soldadora en la fuente de energía si el terminal de conexión a tierra en el enchufe del cable eléctrico se dobló, está roto o falta.

- No permita que la soldadora esté conectada a la fuente de energía ni intente soldar si la soldadora, los cables de soldar, el sitio para soldar o el cable eléctrico de la soldadora están expuestos a cualquier forma de precipitación atmosférica, o si están rociados con agua salada.
- No transporte los cables de soldar enrollados alrededor de los hombros ni en ninguna otra parte del cuerpo, cuando están conectados a la soldadora.
- No modifique el cableado, las conexiones a tierra, los interruptores ni los fusibles en este equipo para soldar.
- Use guantes de soldadura para ayudar a proteger las manos del circuito de soldadura.
- Mantenga todos los recipientes con líquido lo suficientemente lejos de la soldadora y del área de trabajo para que en caso de derrame, el líquido no entre en contacto con alguna pieza de la soldadora o el circuito de soldadura eléctrica.
- Reemplace de inmediato las piezas agrietadas o rotas que tienen aislamiento o actúan como aislantes, como los cables de soldar, el cable eléctrico o el portaelectrodo.

Ruido



El ruido puede causar la pérdida permanente de audición. Los procesos de soldado pueden causar niveles de ruido que exceden los límites de seguridad. Debe proteger sus oídos del ruido alto a fin de evitar la pérdida permanente de audición.

- Para proteger su audición del ruido alto, use tapones de protección para los oídos y/u orejeras.
- Los niveles de ruido se deben medir para asegurarse de que los decibeles (ruido) no excedan los niveles de seguridad.

Información de seguridad adicional

Para obtener más información sobre las medidas de seguridad para soldar, consulte las siguientes normas y cumpla con ellas, según corresponda.

- Norma ANSI Z49.1 - SEGURIDAD EN SOLDADURAS Y CORTES: se puede obtener en la Asociación Americana de Soldadura (American Welding Society), 550 NW Le Jeune Road, Miami, FL 33126 Teléfono +1(800) 443-9353, Fax +1(305) 443-7559 - www.amweld.org o www.aws.org
- Norma ANSI Z87.1 - PRÁCTICAS SEGURAS PARA LA PROTECCIÓN OCUPACIONAL Y EDUCATIVA DE OJOS Y ROSTRO: se puede obtener en el Instituto Nacional Estadounidense de Estándares (American National Standards Institute), 11 West 42nd St., New York, NY 10036 Teléfono +1(212) 642-4900, Fax +1(212) 398-0023 - www.ansi.org
- Norma NFPA 518 - PROCESO DE CORTE Y SOLDADURA: se puede obtener en la Asociación Nacional de Protección contra Incendios (National Fire Protection Association), 1 Batterymarch Park, P.O. Box 9101, Quincy, MA 02269-9101 Teléfono +1(617) 770-3000 Fax +1(617) 770-0700 - www.nfpa.org
- Norma de la OSHA 29 CFR, Parte 1910, Subparte Q., SOLDADURA, CORTE Y SOLDADURA FUERTE: se puede obtener en la oficina estatal de la OSHA o en el Departamento de trabajo de EE. UU. OSHA, Oficina de Asuntos Públicos, Sala N3647, 200 Constitution Ave., Washington, DC 20210 - www.osha.gov
- Norma CSA W117.2 - Código de SEGURIDAD EN SOLDADURAS Y CORTES: se puede obtener en la Asociación Canadiense de Estándares (Canadian Standards Association), 178 Rexdale Blvd., Etobicoke, Ontario M9W 1R3 - www.csa.ca
- Norma A6.0 de la Asociación Americana de Soldadura (American Welding Society). RECIPIENTES PARA SOLDAR Y CORTAR QUE HAYAN CONTENIDO MATERIALES COMBUSTIBLES: se puede obtener en la Asociación Americana de Soldadura (American Welding Society), 550 NW Le Jeune Road, Miami, FL 33126 Teléfono +1(800) 443-9353, Fax +1(305) 443-7559 - www.amweld.org o www.aws.org

GARANTÍA	55
INFORMACIÓN DE SEGURIDAD	56
NORMAS DE SEGURIDAD PRINCIPALES.....	56
ADVERTENCIA DE LA PROPOSICIÓN 65 DE CALIFORNIA	56
INFORMACIÓN SOBRE EMF (CAMPOS ELECTROMAGNÉTICOS).....	56
PROTECCIÓN PERSONAL	57
PREVENCIÓN DE INCENDIOS.....	58
RADIACIÓN DE ALTA FRECUENCIA.....	59
SOLDADURA POR ARCO	59
DESCARGA ELÉCTRICA.....	59
RUIDO.....	60
INFORMACIÓN DE SEGURIDAD ADICIONAL	60
ÍNDICE	61
INSTALACIÓN	62
UBICACIÓN.....	62
VENTILACIÓN	62
REQUERIMIENTOS DE VOLTAJE DE ENTRADA PRINCIPAL.....	62
INSTRUCCIONES DE SEGURIDAD.....	62
ENSAMBLAJE	63
ENSAMBLAJE DEL ASA Y LAS RUEDAS (FIG. 1).....	63
ENSAMBLAJE DEL CABLE DE LA ANTORCHA Y LA PISTOLA DE BOBINA (FIG. 2).....	63
CONEXIÓN DEL CILINDRO DE GAS Y DEL REGULADOR	63
GUÍA DE GASES DE PROTECCIÓN	64
ALAMBRE DE CARGA	64
REEMPLAZO DEL REVESTIMIENTO DE ALAMBRE	65
CÓMO ELEGIR EL REVESTIMIENTO DE ALAMBRE PARA ANTORCHAS CON CONEXIÓN DIRECTA Y EUROPEA	66
DISPOSICIONES PARA SOLDAR CON PISTOLA DE BOBINA	66
AJUSTE DE LA TENSIÓN IMPULSORA DEL ALAMBRE	67
AJUSTE DE LA POSICIÓN DE LA BOBINA	68
CONTROLES DE LA SOLDADORA	68
FUNCIONAMIENTO DEL PANEL FRONTAL	68
FUNCIONAMIENTO DEL PANEL POSTERIOR	69
GUÍA INFORMATIVA DE LA HOJA DE DATOS	70
PREPARACIÓN DE LA SOLDADURA	70
SOLDADURA MIG (GMAW) CON GAS DE PROTECCIÓN.....	70
FACTORES A CONSIDERAR PARA OBTENER LOS MEJORES RESULTADOS DE LA SOLDADURA.....	70
CONFIGURACIÓN DE LA SOLDADURA DE ALUMINIO.....	70
LISTA DE PIEZAS	71
DIAGRAMA DE PIEZAS	73
LISTA DE REPUESTOS DE ANTORCHA CON PISTOLA MIG	74
DIAGRAMA DE CABLEADO	75
NOTAS DEL USUARIO	76

Instalación

Ubicación

Asegúrese de ubicar la soldadora de acuerdo con las siguientes pautas:

- En áreas libres de humedad y polvo.
- En áreas con temperatura ambiente entre 30 y 90 °F (-1 a 32 °C).
- En áreas libres de aceite, vapor y gases corrosivos.
- En áreas no expuestas a vibraciones o descargas anormales.
- En áreas no expuestas a la luz directa del sol o la lluvia.
- Colóquela a una distancia de 12" (30,5 cm) o más de las paredes u obstrucciones similares que podrían limitar el flujo de aire natural para el enfriamiento.

Ventilación

Dado que la inhalación de vapores de soldadura puede resultar nociva, asegúrese de que el área de soldadura esté correctamente ventilada.

Requerimientos de voltaje de entrada principal

Antes de hacer cualquier conexión eléctrica, asegúrese de que el voltaje de entrada y la frecuencia disponible en el lugar sean los estipulados en la etiqueta de clasificación de su soldadora.

El voltaje de entrada principal debe encontrarse dentro de $\pm 10\%$ del voltaje nominal de entrada principal. Un voltaje demasiado bajo puede causar un rendimiento de soldadura deficiente. Un voltaje de entrada demasiado alto puede hacer que los componentes se sobrecalienten y posiblemente fallen. La salida de la soldadora debe:

- estar instalada correctamente, de ser necesario, por un electricista calificado;
- tener la conexión a tierra (eléctrica) correcta de acuerdo con las reglamentaciones locales;
- estar conectada al circuito eléctrico del tamaño correcto.

NOTAS:

- Revise el cable de suministro en forma periódica para ver si presenta quiebres o alambres expuestos. Si no se encuentra en buenas condiciones, hágalo reparar en un centro de servicio técnico.
- No aplaste el cable de suministro con otras máquinas. Podría dañarse y causar descargas eléctricas.
- Mantenga el cable de suministro alejado de fuentes de calor, aceites, solventes o bordes filosos.
- En caso de que esté usando un cable de extensión, trate de mantenerlo recto y desenredado para evitar el sobrecalentamiento.
- No jale del cable de entrada de energía en forma violenta para desconectarlo del tomacorriente.

Instrucciones de seguridad

Para su seguridad, antes de conectar la fuente de energía a la línea, siga las siguientes instrucciones cuidadosamente:

- Se debe insertar un interruptor de dos polos adecuado antes del tomacorriente principal. El interruptor debe contar con fusibles de retardo.
- Cuando se trabaja en un espacio confinado, la soldadora debe mantenerse fuera del área de soldadura y el cable con conexión a tierra debe estar fijado a la pieza de trabajo. Nunca trabaje en espacios confinados húmedos o mojados.
- No use cables de entrada o de soldar dañados.
- La antorcha para soldar nunca debe apuntar hacia el cuerpo del operador o de otras personas.
- La soldadora nunca debe operarse sin sus paneles adosados. Esto podría causar lesiones graves al operador y podría dañar el equipo.

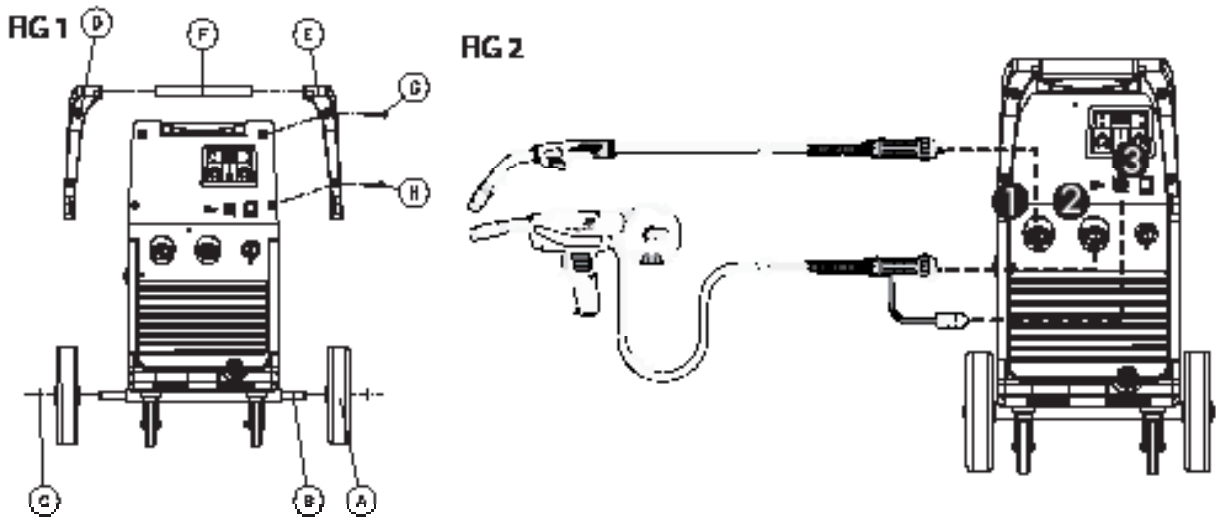
Ensamblaje

Ensamblaje del asa y las ruedas (Fig. 1)

- Desempaque la soldadora.
- Inserte el eje (B) a través de los orificios que se encuentran en la parte trasera de la soldadora y deslice una rueda (A) en cada extremo seguida por las arandelas de sujeción (C).
- Coloque el asa de plástico (F) dentro del soporte de plástico (D-E).
- Coloque el soporte de plástico usando los tornillos provistos.

Ensamblaje del cable de la antorcha y la pistola de bobina (Fig. 2)

- Atornille el cable de la antorcha MIG en el toma (1) que se encuentra en la parte frontal de la soldadora; tenga cuidado de no dañar los contactos. Ajuste a mano girando la conexión roscada.
- Atornille el cable de la pistola de bobina en el toma (2), así como el conector de 7 clavijas (3).



Conexión del cilindro de gas y del regulador

La botella (no provista) debe estar ubicada en la parte trasera de la soldadora, fijada firmemente con la cadena provista. Por razones de seguridad y economía, asegúrese de que el regulador esté completamente cerrado (girado en el sentido contrario a las agujas del reloj) cuando no esté soldando y cuando coloque o quite el cilindro de gas.

- Gire la perilla de ajuste del regulador en el sentido contrario a las agujas del reloj para asegurarse de que la válvula esté completamente cerrada.
- Atornille el regulador de gas hasta el fondo en la válvula de la botella de gas y ajuste por completo.
- Conecte la manguera de gas al regulador asegurándola con la abrazadera/tuerca provista.
- Abra la válvula del cilindro; luego fije el flujo de gas en aproximadamente 20 a 30 pies cúbicos por hora (0,57 a 0,85 metros cúbicos por hora) en el regulador.
- Ponga en funcionamiento el gatillo de la antorcha para asegurarse de que el gas fluya por la antorcha.



ADVERTENCIA: LOS CILINDROS ESTÁN ALTAMENTE PRESURIZADOS. MANIPÚLELOS CON CUIDADO.

La manipulación inapropiada o el uso indebido de los cilindros de gas comprimido puede causar accidentes graves. No deje caer, tire ni exponga el cilindro al calor excesivo, llamas o chispas. No lo golpee contra otros cilindros.

Guía de gases de protección

METAL	GAS	NOTA
Acero suave	CO2 Argón + CO2 Argón + CO2 + Oxígeno	El argón controla las salpicaduras. El oxígeno mejora la estabilidad del arco.
Aluminio	Argón Argón + Helio	Estabilidad del arco, buena fusión y salpicaduras mínimas. Entrada de mayor calor apropiada para secciones gruesas. Mínima porosidad.
Acero inoxidable	Argón + CO2 + Oxígeno Argón + Oxígeno	Estabilidad del arco. Salpicaduras mínimas.
Cobre, níquel y aleaciones	Argón Argón + Helio	Apropiado para calibres bajos debido a la baja fluidez del baño de fusión de soldadura. Entrada de mayor calor apropiada para secciones gruesas.

Póngase en contacto con el servicio técnico de su proveedor de gas para conocer los porcentajes de los diferentes gases más apropiados para su aplicación.

Alambre de carga

Su soldadora MIG está diseñada para aceptar bobinas de alambre de 4", 8" o 12" (10, 20 o 30,5 cm) de acero suave, acero inoxidable o aluminio, según el tipo de metal que desee soldar. Las bobinas de alambre no se suministran con la unidad y deben adquirirse por separado.

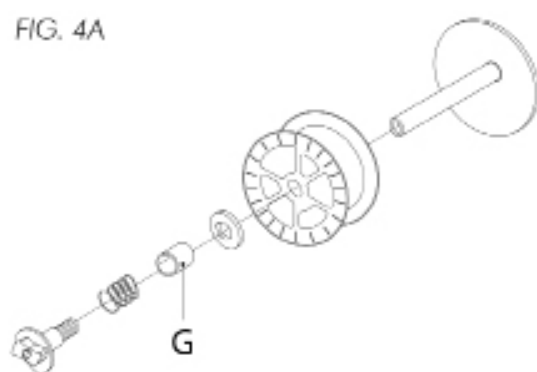
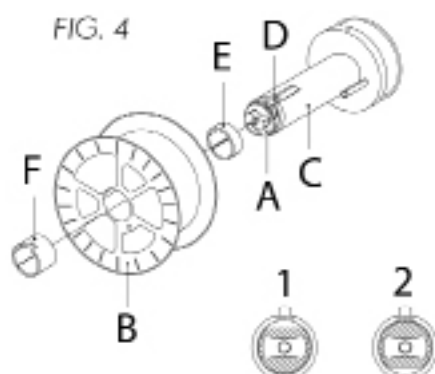


CERCIÓRESE DE QUE EL SUMINISTRO ELÉCTRICO Y EL SUMINISTRO DE GAS ESTÉN DESCONECTADOS. ANTES DE PROCEDER, quite la boquilla y la pieza de contacto de la antorcha.

- Abra el panel lateral. Afloje la tuerca (A) del soporte de bobina (posición 1) (tambor de freno). Quite el espaciador (E). Si usted desea reemplazar la bobina de alambre, extráigala empujando la lengüeta de inserción (D) (Fig. 4).
- Quite la protección de plástico de la bobina. Colóquela en el soporte de bobina. Monte el espaciador nuevamente (solo para bobinas de 8" [20 cm]) y ajuste la tuerca de bloqueo (A).

Su soldadora MIG también admite bobinas de alambre de 4" (10 cm). Para montar bobinas de 4" (10 cm):

- Quite la bobina de alambre (B) del soporte de bobina (C).
- Afloje la tuerca (A), quite el resorte y la arandela; retire el soporte de bobina (C) del pivote.
- Inserte la bobina de alambre de 4" (10 cm) en el pivote; coloque la arandela, el espaciador (G) y el resorte.
- Ajuste la tuerca de bloqueo.





AJUSTE LA TUERCA HASTA DONDE SEA APROPIADO. LA PRESIÓN EXCESIVA FUERZA AL MOTOR DE ALIMENTACIÓN DE ALAMBRE. CUANDO LA PRESIÓN ES MUY POCA, NO PERMITE QUE LA BOBINA DE ALAMBRE SE DETENGA INMEDIATAMENTE.

- Afloje y baje la perilla de plástico (A) (Fig. 5). Suelte el rodillo superior (B) del alimentador. Extraiga el alambre del revestimiento de la antorcha.
- Cuando el alambre esté desconectado, tómelolo con alicates de modo que no pueda salirse de la bobina. De ser necesario, enderézelo antes de insertarlo en la guía de entrada del alambre (C). Inserte el alambre en el rodillo inferior (D) y en el revestimiento de la antorcha (E).



ADVERTENCIA: Mantenga la antorcha derecha mientras inserta un nuevo alambre a través del revestimiento, asegúrese de que el alambre tenga un corte limpio (sin rebabas ni ángulos) y esté derecho (sin curvas) por lo menos 1/2" (1,2) desde el extremo. No seguir estas instrucciones puede causar daños en el revestimiento.

- Baje el rodillo superior (B) y coloque la perilla (A). Ajuste levemente. Si ajusta demasiado, el alambre se traba y podría causar daños al motor. Si no se ajusta lo suficiente, los rodillos no alimentarán el alambre.



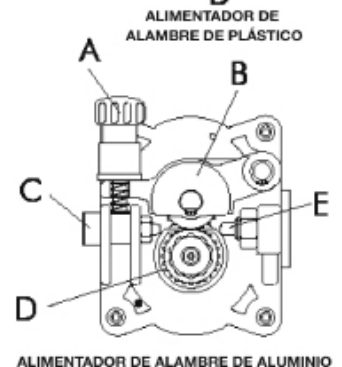
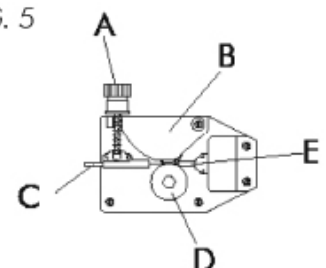
AL CAMBIAR EL DIÁMETRO DE ALAMBRE USADO, O REEMPLAZAR EL RODILLO DE ALIMENTACIÓN DE ALAMBRE, ASEGÚRESE DE QUE EN EL INTERIOR, EN LA PARTE MÁS CERCANA A LA MÁQUINA, ESTÉ LA RANURA CORRECTA PARA EL DIÁMETRO DE ALAMBRE SELECCIONADO. EL ALAMBRE ES IMPULSADO POR LA RANURA INTERIOR. LOS RODILLOS DE ALIMENTACIÓN ESTÁN MARCADOS EN EL COSTADO CON LA IDENTIFICACIÓN DE LA RANURA MÁS PRÓXIMA DE ESE LADO.

- Cierre el panel lateral de la máquina. Conecte el cable de suministro de energía al tomacorriente. Encienda el interruptor. Presione el interruptor de la antorcha. El alambre alimentado por el motor de alimentación de alambre a velocidad variable debe deslizarse por el revestimiento. Cuando este salga del cuello de la antorcha, suelte el interruptor de la antorcha. Apague la máquina. Coloque la pieza de contacto y la boquilla.



MIENTRAS VERIFICA QUE EL ALAMBRE SALGA CORRECTAMENTE DE LA ANTORCHA, NO ACERQUE LA CARA A ESTA. PUEDE CORRER EL RIESGO DE SUFRIR LESIONES DEBIDO AL ALAMBRE SALIENTE. ¡NO ACERQUE LOS DEDOS AL MECANISMO DE ALIMENTACIÓN MIENTRAS TRABAJA! LOS RODILLOS EN MOVIMIENTO PUEDEN APLASTAR LOS DEDOS. REVISE LOS RODILLOS EN FORMA PERIÓDICA. REEMPLÁCELOS CUANDO ESTÉN GASTADOS Y ELLO COMPROMETA LA ALIMENTACIÓN NORMAL DEL ALAMBRE.

FIG. 5



Reemplazo del revestimiento de alambre



ANTES DE LLEVAR A CABO ESTE PROCEDIMIENTO, ASEGÚRESE DE QUE LA LÍNEA DE SUMINISTRO DE GAS Y EL CABLE DE ENTRADA DE ENERGÍA ESTÉN DESCONECTADOS.

- Desconecte la antorcha de la máquina.
- Colóquela sobre una superficie plana y quite la tuerca de bronce cuidadosamente (1).
- Jale del revestimiento para quitarlo de la manguera.
- Instale el nuevo revestimiento y coloque nuevamente la tuerca de bronce (1).

En caso de reemplazar un revestimiento de alambre de teflón o grafito, siga estas instrucciones:

- Instale el nuevo revestimiento e inserte el anillo metálico del revestimiento de alambre (3) y la junta tórica (4).
- Coloque la tuerca de bronce (1).
- Corte el revestimiento de alambre cerca de la tuerca de bronce.

ADVERTENCIA: LA LONGITUD DEL NUEVO REVESTIMIENTO DE ALAMBRE DEBE SER LA MISMA QUE LA DEL REVESTIMIENTO QUE ACABA DE QUITAR DE LA MANGUERA.

- Conecte la antorcha a la máquina e instale el alambre en el sistema de alimentación.

Cómo elegir el revestimiento de alambre para antorchas con conexión directa y europea

- Básicamente, existen 2 tipos de revestimientos de alambre: Revestimientos de alambre de acero y revestimientos de alambre de teflón.
- Los revestimientos de alambre de acero pueden estar recubiertos o no recubiertos. Los revestimientos de alambre recubiertos se utilizan para antorchas refrigeradas por aire.
- Los revestimientos de alambre de teflón se recomiendan para soldaduras de aluminio dado que permiten la alimentación suave de alambre.

Disposiciones para soldar con pistola de bobina



ADVERTENCIA: ¡LAS DESCARGAS ELÉCTRICAS PUEDEN CAUSAR LA MUERTE! SIEMPRE APAGUE EL INTERRUPTOR DE ENERGÍA Y DESENCHUFE EL CABLE ELÉCTRICO DE LA FUENTE DE ENERGÍA DE CA ANTES DE INSTALAR EL ALAMBRE.

Antes de instalar cualquier alambre para soldar en la unidad, la ranura del tamaño correcto debe estar colocada en posición en el mecanismo impulsor del alambre. Ajuste el rodillo impulsor de acuerdo con los siguientes pasos:

1. Abra la cubierta del impulsor de alambre en la pistola de bobina.
2. Quite la tensión impulsora aflojando el tornillo de ajuste de tensión y levantando el ajustador de tensión impulsora, alejándolo del brazo de tensión impulsora. Jale del brazo de tensión impulsora hacia afuera del rodillo impulsor.
3. Gire la tapa del rodillo impulsor en el sentido contrario a las agujas del reloj y quítelo. Vea la (FIG. 7), invierta el tornillo de ajuste de tensión y abra el rodillo impulsor del brazo de tensión. Quite el rodillo impulsor del vástago del rodillo impulsor. **Nota:** El rodillo impulsor tiene ranuras integradas para dos tamaños de alambres (0,030" [0,76 mm], 0,035" [0,89 mm]).
4. Busque el lado del rodillo impulsor que está estampado con el mismo diámetro de alambre que el alambre que está instalando. Presione el rodillo impulsor en el vástago de este, con el lado estampado con el diámetro de alambre deseado mirando hacia usted.
5. Vuelva a instalar la tapa del rodillo impulsor y trábela en su lugar girándola en el sentido de las agujas del reloj.
6. Quite la boquilla y la pieza de contacto del extremo del ensamblaje de la pistola.
7. Abra la cubierta de la bobina de alambre, ubicada en la parte trasera de la pistola de bobina girando la perilla de sujeción en el sentido contrario a las agujas del reloj.
8. Desenvuelva la bobina de alambre y busque el extremo del alambre.
9. Luego de asegurarse de que su soldadora esté desconectada de la fuente de energía de CA, libere el extremo del alambre de la bobina, pero no lo suelte hasta que se le indique hacerlo, de lo contrario el alambre se desenrollará solo.
10. Con un cortador de alambre, corte la porción doblada en el extremo del alambre de modo de dejar una sección recta de alambre.
11. Desenrolle alrededor de 6" (15 cm) de alambre para soldar de la bobina de alambre.
12. Inserte el extremo del alambre en el tubo de la guía de entrada (ubicado en la cubierta de la bobina de alambre). Luego empújelo por el rodillo impulsor, insertándolo en el ensamblaje de la pistola alrededor de 6" (15 cm).

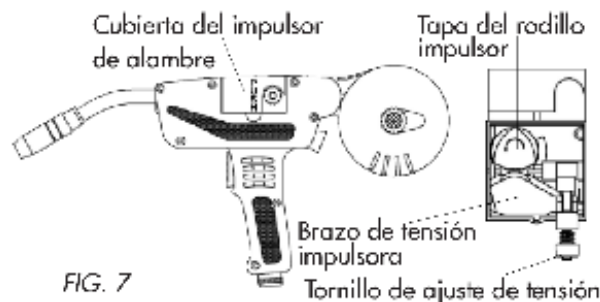
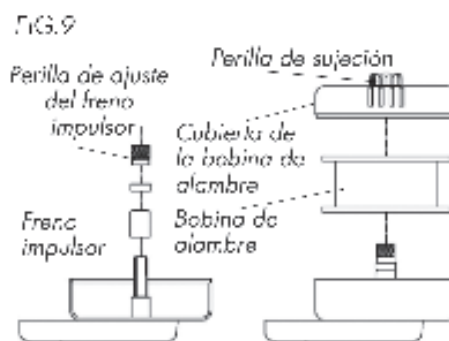
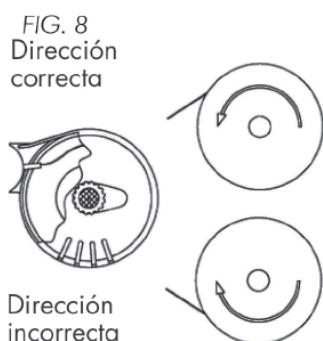


FIG. 7

13. Alinee el alambre en la ranura superior correspondiente del rodillo impulsor, luego empuje el brazo de tensión impulsora contra el rodillo impulsor.



14. Voltee el tensor impulsor de liberación rápida a su posición en el brazo tensor impulsor.
15. Ajuste (gire en el sentido de las agujas del reloj) la tensión impulsora ajustando la perilla hasta que el rodillo de tensión aplique suficiente fuerza en el alambre para evitar que se salga del ensamblaje impulsor.
16. Suelte el alambre.
17. Coloque la bobina en el huso de manera tal que cuando el alambre salga de la bobina, se vea como en la ilustración superior de la Figura 10 de la página 14. El alambre para soldar siempre debe salir de la parte superior de la bobina hacia el mecanismo impulsor. **NOTA TÉCNICA:** La función del freno impulsor es hacer que la bobina de alambre deje de girar casi en el mismo momento que se detiene la alimentación del alambre.
18. Fije la tensión del freno impulsor. **Nota:** Es necesario soltar el brazo tensor impulsor mientras fija la tensión del freno impulsor. Asegúrese de volver a poner el brazo de tensión impulsora en la posición de bloqueo luego de ajustar la tensión del freno impulsor.
 - a) Con una mano, gire la bobina de alambre en el sentido contrario a las agujas del reloj. Esto hará que el alambre que se alimenta a través del ensamblaje de la pistola siga girando mientras ajusta la tensión de la bobina.
 - b) Con su mano libre, ajuste (gire en el sentido de las agujas del reloj) la perilla de ajuste del freno impulsor.
 - c) Deje de ajustar cuando sienta resistencia en la bobina de alambre que está girando. Luego deje de girar a mano la bobina de alambre. **NOTA:** Si se aplica demasiada tensión a la bobina de alambre, el alambre se saldrá del rodillo impulsor o no podrá alimentarse de ningún modo. Si se aplica muy poca tensión, la bobina de alambre tenderá a desenrollarse. Vuelva a ajustar la tensión del freno impulsor de ser necesario para corregir cualquiera de estos problemas.
19. Corte el alambre que sobresale del extremo de la pistola de bobina a una distancia de aproximadamente 1/2" (1,2 cm).
20. Seleccione una pieza de contacto estampada con el mismo diámetro que el alambre que está usando.
21. Deslice la pieza de contacto sobre el alambre sobresaliente desde el extremo de la pistola. Coloque la pieza de contacto en el extremo de la pistola y ajústela a mano con firmeza.
22. Instale la boquilla en el ensamblaje de la pistola. Para obtener resultados ideales, recubra el interior de la boquilla con aerosol o gel antiadherente.
23. Corte el exceso de alambre que sobresale del extremo de la boquilla.
24. Vuelva a colocar la cubierta de la bobina de alambre y apriete la perilla de ajuste girándola en el sentido de las agujas del reloj.
25. Conecte el cable eléctrico de la soldadora a una fuente de energía de CA. ENCIENDA la soldadora. Fije el interruptor de VOLTAJE.

Ajuste de la tensión impulsora del alambre



ADVERTENCIA: ¡LOS DESTELLOS DEL ARCO PUEDEN DAÑAR LOS OJOS! PARA REDUCIR EL RIESGO DE DESTELLOS DE ARCO, ASEGÚRESE DE QUE EL ALAMBRE QUE SALE DEL EXTREMO DE LA PISTOLA NO ENTRE EN CONTACTO CON LA PIEZA DE TRABAJO, LA ABRAZADERA DE DESCARGA A TIERRA O CUALQUIER MATERIAL CON CONEXIÓN A TIERRA DURANTE EL PROCESO DE FIJACIÓN DE LA TENSIÓN IMPULSORA O SE PRODUCIRÁN ARCOS ELÉCTRICOS.

1. Abra la cubierta del impulsor de alambre en la pistola de bobina.
2. Jale el gatillo de la pistola.
3. Gire la perilla de ajuste de tensión impulsora en el sentido de las agujas del reloj, aumentando la tensión impulsora hasta que el alambre parezca entrar suavemente sin salirse de lugar.

4. Cierre la cubierta del impulsor de alambre en la pistola de bobina.
5. Cuando se fija de manera correcta, no debe haber deslizamientos entre el alambre y el rodillo impulsor en condiciones normales.

Ajuste de la posición de la bobina

Antes de comenzar a soldar, es preferible ajustar la posición de la bobina de modo que quede en una posición cómoda para usted. Hay tres posiciones para elegir. Para cambiar la posición de la bobina:

1. Con un destornillador de punta plana, afloje el tornillo que conecta la cubierta de la bobina con la pistola.
2. Separe la cubierta de la pistola tanto como sea necesario para permitir que la cubierta gire.
3. Gire la cubierta a una de las tres posiciones disponibles, asegurándose de que las ranuras de la pistola estén alineadas con las ranuras de la cubierta.
4. Empuje la cubierta y la pistola juntas para regresarlas a su posición.
5. Con un destornillador de punta plana, ajuste el tornillo que conecta la cubierta de la bobina con la pistola.

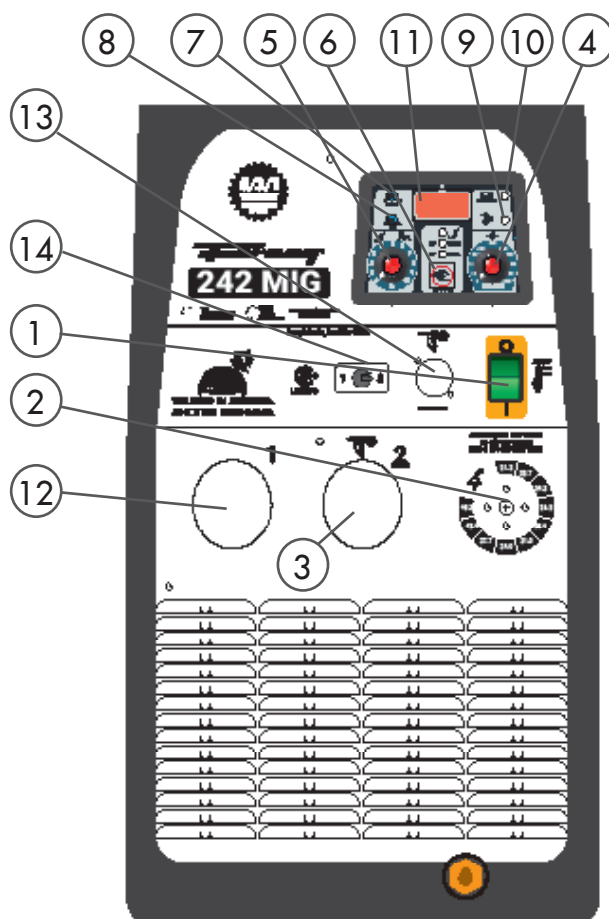
Controles de la soldadora

En las soldadoras de la serie digital, gracias a una tarjeta digital especial, es posible ajustar de forma externa los parámetros de soldadura. La principal función de estas unidades es ajustar estos parámetros de manera fácil.

El control del microprocesador maneja las funciones de la tarjeta de circuito impreso que se visualizan por medio del indicador de led a la vez que una pantalla digital muestra los parámetros fijados y la corriente de soldado. Las unidades pueden usarse con la antorcha estándar (provista con ellas) o con una pistola de bobina.

Funcionamiento del panel frontal

1. **Interruptor principal ON/OFF (Encendido/ Apagado) (verde):**
Se ilumina cuando se pone la soldadora en ON (Encendido).
2. **Perilla de ajuste del voltaje de soldado**
3. **Conexión de la pistola de bobina**
4. **Perilla de ajuste de alimentación de alambre**
Para aumentar la velocidad del alambre, gire el potenciómetro en el sentido de las agujas del reloj; para disminuir la velocidad del alambre, gírelo en el sentido contrario a las agujas del reloj. El mismo procedimiento disminuye los valores de los parámetros de soldadura. Gire la perilla lentamente.
5. **Perilla de regulación del tiempo de soldadura por puntos**
MÍN. 0,4 segundos - MÁX. 10 segundos
6. **Tecla de selección "MODE" (Modo) de soldadura**
Use estas teclas para seleccionar los siguientes tipos de soldadura:
 - 2T: Soldadura de 2 tiempos = manual
 - 4T: Soldadura de 4 tiempos = automático
 - Soldadura por puntos automática con temporizador



7. **B.B.T. (tiempo de retroceso de alambre)**

Después de soltar el gatillo de la antorcha, el alambre continuará alimentándose por poco tiempo. Esta función evita que el alambre se queme y que, en consecuencia, se pegue a la pieza de contacto. Al girar el potenciómetro de B.B.T. (tiempo de retroceso de alambre) en el sentido de las agujas del reloj con un destornillador, se puede ajustar el tiempo durante el cual el alambre continuará alimentándose después de que se suelte el gatillo.

8. **SLOPE (Inclinación)**

Cuando se gira este tornillo con un destornillador, se ajusta el tiempo que el motor de alimentación de alambre tarda en alcanzar la velocidad que se haya seleccionado. Inclinación MÍN. 0,25 segundos - Inclinación MÁX. 1,6 segundos

9. **Indicador de sobrecalentamiento (amarillo)**

Este indicador de led parpadea cuando la unidad se está sobrecalentando. Se encenderá cuando la protección termostática apague la máquina y dejará de parpadear una vez que la máquina se haya enfriado lo suficiente para continuar soldando.

10. **Indicador de led color verde de la antorcha de la pistola de bobina**

Se ilumina cuando la antorcha de la pistola de bobina está conectada.

11. **Pantalla**

Permite al operador ver la corriente de soldadura en tiempo real. Luego de soldar, la pantalla mostrará el valor final de la corriente de soldadura por un máximo de 3 segundos.

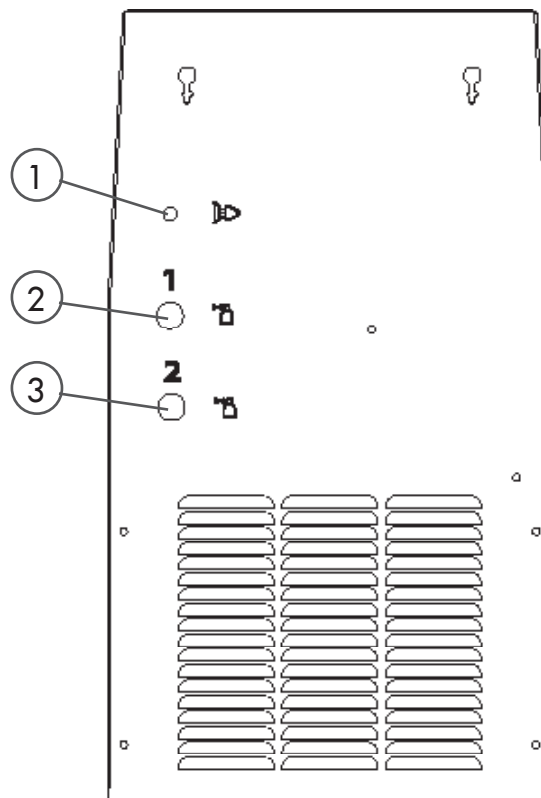
12. **Conexión de la antorcha**

13. **Conexión de 7 clavijas para pistola de bobina (opcional)**

14. **Interruptor alternador para la selección de la antorcha**

Funcionamiento del panel posterior

1. Cable de entrada de energía
2. Conector de manguera de gas para la antorcha 1 (antorcha MIG)
3. Conector de manguera de gas para la antorcha 2 (pistola de bobina)



Guía informativa de la hoja de datos

Consulte las especificaciones en la parte posterior de la soldadora.

Preparación de la soldadura

- Conecte el cable a tierra con el toma hembra correspondiente en la esquina inferior derecha de la soldadora (en algunos modelos el cable con conexión a tierra ya viene conectado). Coloque la abrazadera de descarga a tierra en el metal desnudo a soldar, asegurándose de que haga buen contacto.
- Cerciórese de que la ranura del rodillo de alambre en el rodillo se corresponda con el diámetro del alambre que va a usar.
- Enchufe la máquina a un tomacorriente adecuado.
- Abra la válvula de gas en el regulador del cilindro de gas (gire la perilla en el sentido de las agujas del reloj) y ajuste el regulador de gas en la posición de fijación apropiada. Nota: Ésta varía según los diferentes metales, espesores y corrientes.

Soldadura MIG (GMAW) con gas de protección

Para soldar con una MIG, hay dos parámetros fundamentales: (1) el voltaje de soldadura y (2) la velocidad del alambre. La corriente de soldadura es determinada por estos dos ajustes. Fije los controles de voltaje y velocidad de alambre en posiciones apropiadas para el espesor del material a soldar. Ajuste la velocidad del alambre para ajustar la corriente de soldadura.

Factores a considerar para obtener los mejores resultados de la soldadura

1. Material a soldar. (Acero suave, acero inoxidable, aluminio)
2. Espesor del material que se soldará.
3. Diámetro del alambre para soldar.
4. Tipo de gas de protección empleado.

Con el botón Mode (Modo), seleccione el modo de gatillo.

- 2T - El proceso de soldadura comienza cuando se presiona el gatillo de la antorcha y se detiene cuando se suelta.
- 4T - El proceso de soldadura comienza cuando se presiona y se suelta el gatillo. La soldadura continúa hasta que se presione y se suelte el gatillo por segunda vez. Este modo es óptimo para soldaduras muy prolongadas o para algunas soldaduras automáticas.
- Soldadura por puntos con temporizador: soldadora de puntos automática con temporizador. Este proceso permite realizar soldaduras por puntos repetidas cada vez que se presiona el gatillo. La duración de la soldadura por puntos se controla con la perilla (5). Se recomienda una boquilla para soldadura por puntos.

Configuración de la soldadura de aluminio

La soldadora debe estar fijada para acero suave, salvo por lo siguiente: Use 100 % argón como gas de protección. Asegúrese de que la pistola de bobina esté fijada para soldaduras de aluminio con un revestimiento de teflón y no exceda los 10' (3 m) de longitud. Asegúrese de que la pieza de contacto y los rodillos impulsores sean los adecuados para alambre de aluminio.

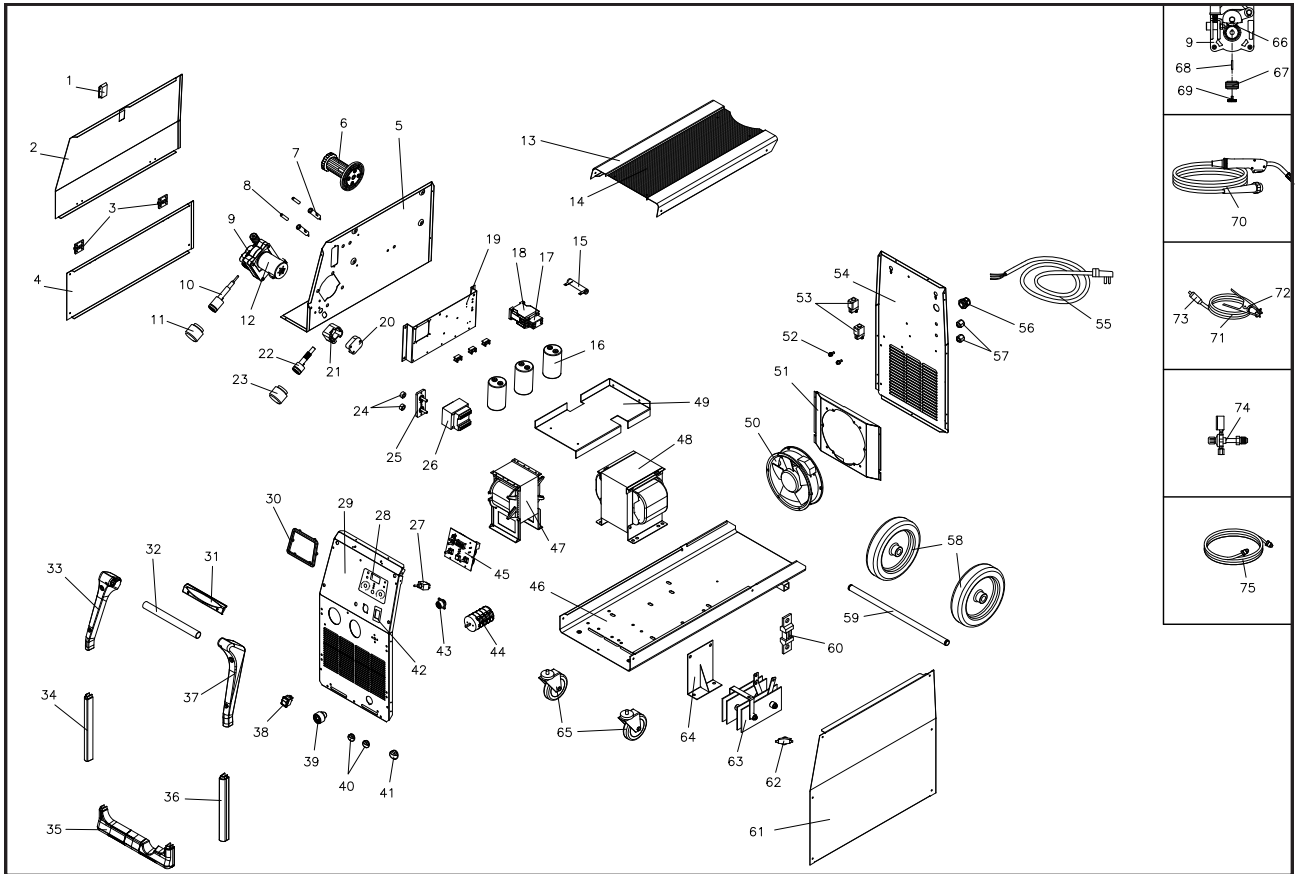
Para soldaduras de aluminio, o de otro material que requiera el uso de alambre blando, y para aplicaciones en las que se requiera un cable de antorcha más largo, se recomienda una pistola de bobina.

Lista de piezas

N.º DE REF.	N.º DE PIEZA	DESCRIPCIÓN DEL ARTÍCULO	CANT.
01	85005	PESTILLO DE LA PUERTA	1
02	05000287	PANEL LATERAL IZQUIERDO CON SERIGRAFIA	1
03	85513	BISAGRA DE PLÁSTICO 40X40MM	1
04	33705777 376C	PEQUEÑO PANEL LATERAL IZQUIERDO	1
05	33720311 9005	PANEL INTERIOR	1
06	04600275	ASPO COMPLETO PARA BOBINAS D.50	1
07	85130	PORTAFUSIBLE PTF/70 6,3A 250V	1
08	85129	FUSIBLE 5X20 T2 A 250V	10
09	44410081	ALIMENTADOR DE ALAMBRE DE 2 RODILLOS	1
10	23005542	CONEXION EURO BINZEL L=65	1
11	21690675	PROTECCION PLASTICA DE CONEXION EUROPEA	1
12	22810030	MOTOR 42V D.63	1
13	33705735 376C	PANEL DE LA CUBIERTA	1
14	30905054	TAPETE PARA HERRAMIENTAS 3X203X581	1
15	22305004	RESISTENCIA 3 OHM D.16 L=90	1
16	85081	CAPACITOR 63V	1
17	85042	CONTACTOS AUXILIARIOS	1
18	85023	CONTACTOR 24V 16A 4NA POT. CN-16	1
19	33640145	SUORTE METALICO PARA TRANSFORMADOR AUX	1
20	21690398	SUORTE PLASTICO PARA SPOOL GUN	1
21	21690822	CAJA EN PLASTICO PARA CONEXION SPOOL GUN	1
22	23005555	CONEXIONI MINI EURO POR SPOOL GUN	1
23	21690828	CUBIERTA PLASTICA POR SPOOL GUN	1
24	85551	VOLANTE MOLETEADO	2
25	04600166	PANEL DE CONVERSION CON GAS-SIN GAS	1
26	44140054	TRANSFORMADOR AUXILIARIO 50/60HZ 28X43	1
27	22200033	INTERUPTOR TRIPOLAR	1
28	77650447	PLACA PARA TARJETA	1
29	05000285	PANEL FRONTAL CON SERIGRAFIA	1
30	21690429	MARCO PARA CIRCUITO ELECTRONICO	1
31	85579	MARCO SUPERIOR	1
32	33725134 9005	MANIJA	1
33	85578	MANIJA IZQUIERDA	1
34	21690771	MARCO IZQUIERDO	1
35	21690768	MARCO INFERIOR	1
36	21690770	MARCO DERECHO	1
37	85577	MANIJA DERECHA	1
38	22200051	INTERUPTOR BIPOLAR -NEGRO	1

N.º DE REF.	N.º DE PIEZA	DESCRIPCIÓN DEL ARTÍCULO	CANT.
39	22100009K	TOMA TIPO DINSE 50MM2 TBE35-50	1
40	85555	PERILLA+INDICE	1
41	85574	POMO PARA CONMUTADOR NEGRO	1
42	77601051	ETIQUETA AMARILLA ON/OFF	1
43	40211532	CONEXION TORCHA SPOOL-GUN CON.7 POLOS	1
44	85530	INTERRUPTOR 25 A 10POS 1PH	1
45	22710084	FICHA CONTROL	1
46	33700427 9005	PANEL INFERIOR	1
47	44135176	TRANSFORMADOR REDUCTOR D.7,6 40X60AL	1
48	44120195	TRANSFORMADOR 10P. 60HZ 230V 60X100AL	1
49	30490172	TRANSPORTADOR DE AIRE	1
50	85560	VENTILADOR 220-240V 50-60HZ	1
51	33640628	TRANSPORTADOR DE AIRE	1
52	22910004K	EMPALME PARA MANGUERA 1/8" M	1
53	85052	VALVULA SOLENOIDE PARA GAS 24V50HZ1/8" FF	1
54	05000286	PANEL POSTERIOR	1
55	20220173	CABLE DE ENTRADA ST 3XAWG12 M4,6 + 6-50P	1
56	21605040K	PRENSAESTOPA 2 PIEZAS D.20	2
57	22910110	EMPALME DE GAS FEMINA DE 1/8" (3,18MM)	1
58	85545	RUEDA DE GOMA D.230 CUBO D.20	1
59	55200036	EJE PARA RUEDAS D.20	1
60	22600043	SHUNT AMPERIMETRO 300A 60MV	1
61	05000288	PANEL DERECHO CON SERIGRAFIA	1
62	85203	TERMOSTATO COMPLETO 100ø+ SOPORTE	1
63	22400085	RECTIFICADOR PMS 20/4/2 F	1
64	33640603	SUPORTE METALICO POR EL RECTIFICADOR	1
65	21625003	RUEDA DE GOMA GIRATORIAS D.100	1
66	33805007K	RODILLO DE BLOQUEO DE ALAMBRE D.17X30	1
67	85509	RODILLOS D.30 1.0-1.2MM	1
67	85511	RODILLO ARRASTRA HILO D.30 0,6-0,9MM	1
68	85520	LLAVE DE SEGURIDA POR RODILLO	10
69	85557	TORNILLO CIERRE MOTOR D.20 M4X8	1
70	23000453	ANTORCHA MIG T-200 - 4,57MT EURO-TW2	1
71	43210220K	CABLE DE TIERRA 25MM2 4,6M	1
72	22110026K	ABRAZADERA DE DESCARGA A TIERRA	1
73	22100003K	ENCHUFE DINSE 50MM2	1
74	22905101	GULADOR ARGON CON 2 MEDIDORES CGA580	1
75	30900036	MANGUERA NEGRA 4,6M	1

Diagrama de piezas



Lista de repuestos de antorcha con pistola MIG

Nro.	NÚMERO DE PIEZA	DESCRIPCIÓN DEL ARTÍCULO	CANT.
1	23005552	BOQUILLA DE ANTORCHA TWECO 22-62	1
02	23005525K	AISLANTE PAQUETE DE 1 PIEZA	1
03	23005526K	PIEZA DE CONTACTO DE 0,9 MM PARA TW2 14-35 PAQUETE DE 10 PIEZAS	10
03	23005521K	PIEZA DE CONTACTO DE 0,8 MM PARA TW2 14-30 PAQUETE DE 10 PIEZAS	10
03	23005522K	PIEZA DE CONTACTO DE 1,2 MM PARA TW2 14-45 PAQUETE DE 10 PIEZAS	10
04	23005527K	DIFUSOR DE GAS TWECO TW2 PAQUETE DE 1 PIEZA	1

Nro.	NÚMERO DE PIEZA	DESCRIPCIÓN DEL ARTÍCULO	CANT.
05	23005528k	CUELLO DE ANTORCHA TW2 62A-45 PAQUETE DE 1 PIEZA	1
06	23005529K	MANGO NEGRO PARA ANTORCHA TW200 PAQUETE DE 1 PIEZA	1
07	23005530K	GATILLO DE ANTORCHA PAQUETE DE 1 PIEZA	1
08	23005553	CABLE COAXIAL 25 MM2 38CM	1
09	23005554	REVESTIMIENTO DE ALAMBRE DE ACERO 0,030-0,035	1

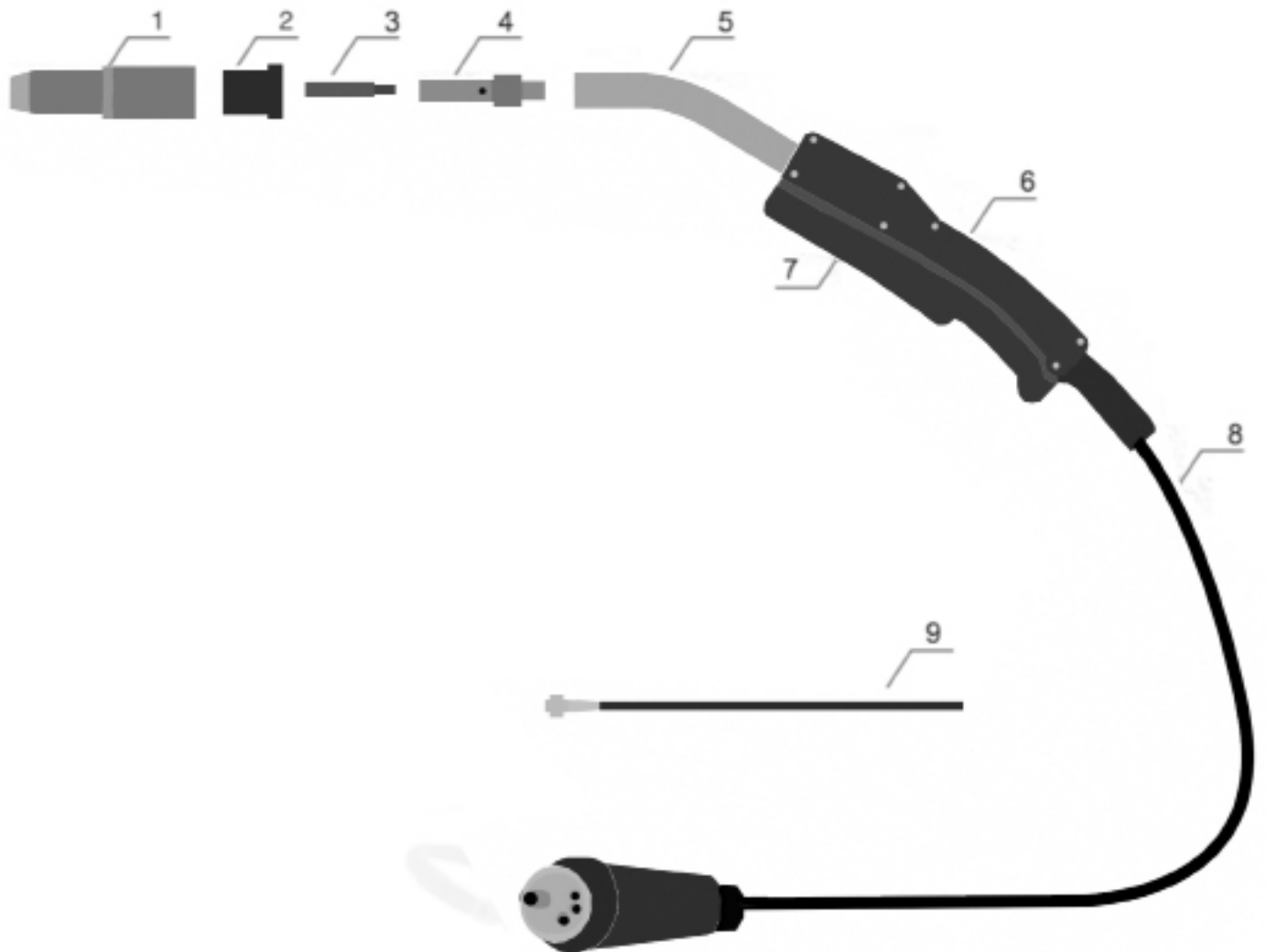
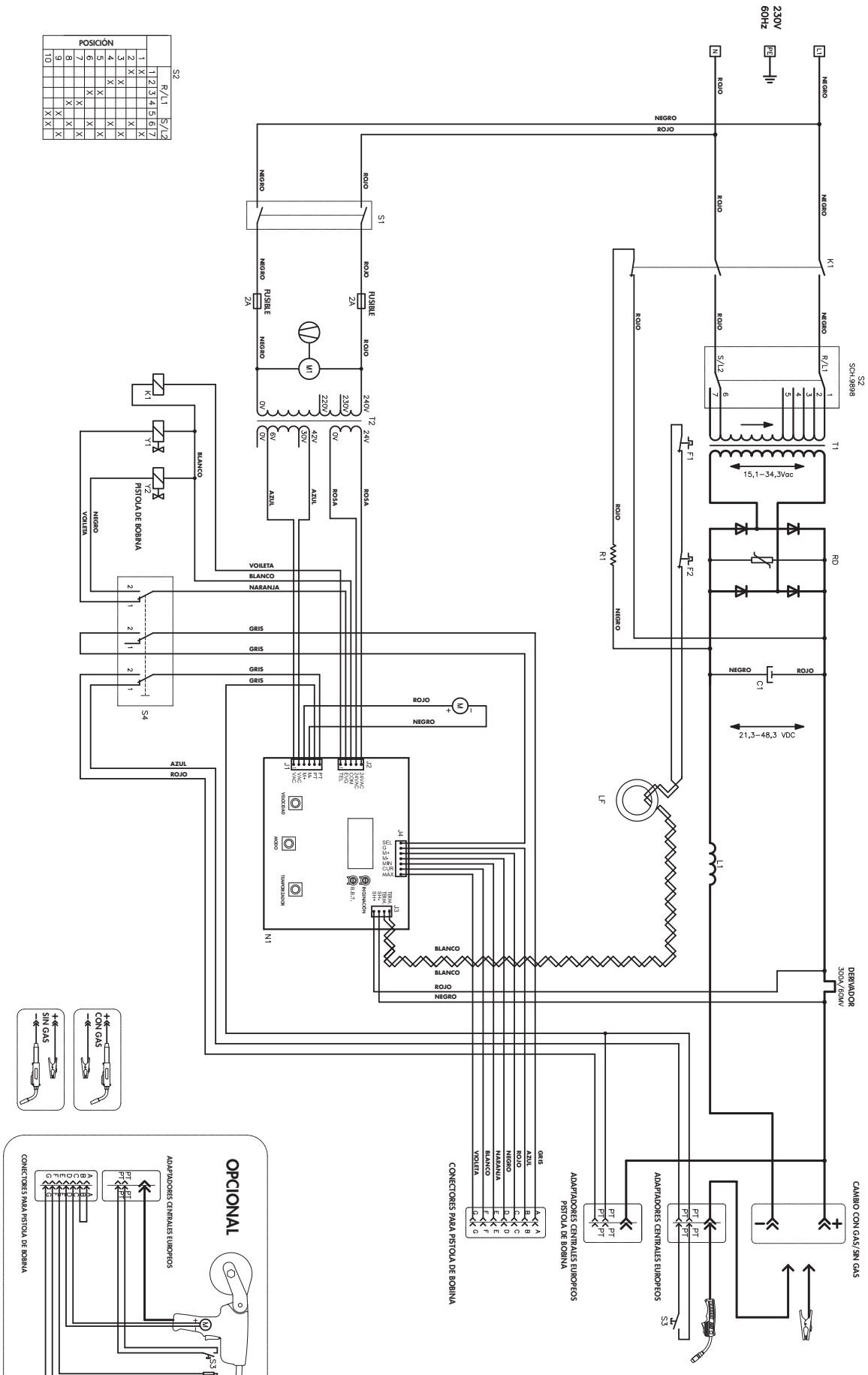


Diagrama de cableado

POSICIÓN		S2	
		R/L1	S/L2
1	X		
2	X		
3	X		
4	X		
5	X		
6	X		
7	X		
8	X		
9	X		
10	X		





Forney Industries, Inc.

2057 Vermont Drive
Fort Collins, CO 80525
+1-800-521-6038
www.forneyind.com