



PET CAGE WITH COVER

GENERAL INSTRUCTIONS

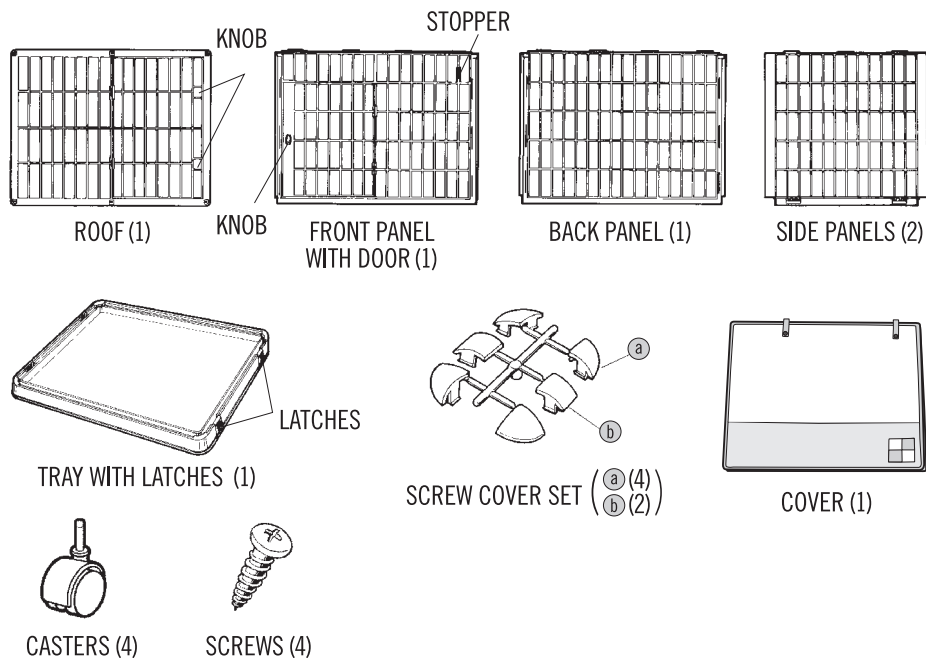
RLC-660

Thank you for purchasing this product. Please make sure to read these instructions thoroughly to ensure proper use. Misuse of the product may lead to injury to the user and/or the pet. Make sure these instructions are kept in an easily accessible location for future reference.

PARTS

- MAKE SURE ALL PARTS ARE PRESENT UPON ASSEMBLY

TOOLS NECESSARY: PHILLIPS SCREWDRIVER



MAINTENANCE

- Clean the walls with a soft cloth and diluted cleaning solution.
- Do not clean with powders, thinners, benzene solutions or cresol solution.
- Clean the panels with a damp cloth.
- Clean the product once a month.

CAUTION

- Keep away from open flames or sources of heat.
- Be wary of children around the product.
- Do not use collars. They may get caught on the product injuring your pet.
- Keep out of direct sunlight.
- Keep on a flat surface.
- Be mindful of your pet and fingers when opening and closing.
- Be careful that your pet doesn't get its paws stuck in the panels.
- The product may scratch your flooring.
- Do not keep your pet in the cage for too long.
- Do not place things on top of the product.
- Pets that bite and scratch out of habit may damage the product.
- If the product gets damaged, cease usage.
- Make sure the product is clean before storing.
- Friction or stored while wet may lead to discoloration.
- Misuse may lead to injury or damage.

Check with your local pet shop for tips on pet care.

IRIS USA, Inc. does not claim responsibility for injury or damage sustained by unexpected behavior of the pet.



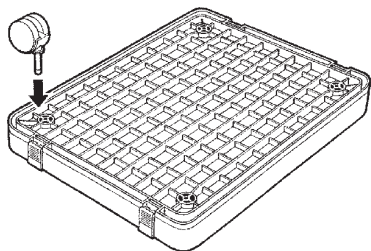
IRIS USA, Inc.
 11111 80th Avenue
 Pleasant Prairie, WI 53158
 800.320.4747
www.irisusainc.com

300040
 MADE IN CHINA

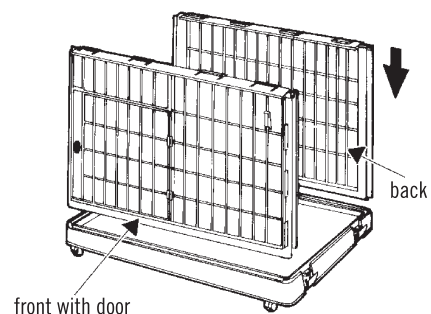
ASSEMBLY

• TOOLS NECESSARY: PHILLIPS SCREWDRIVER

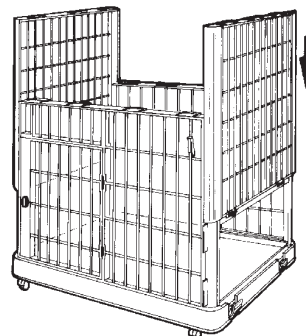
1 Place casters in base.



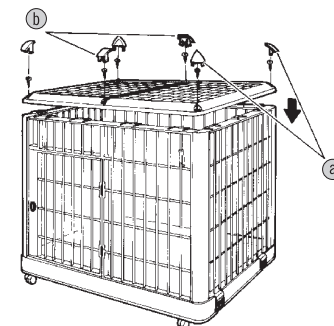
2 Place the front and back panels after making sure of the tops and bottoms.



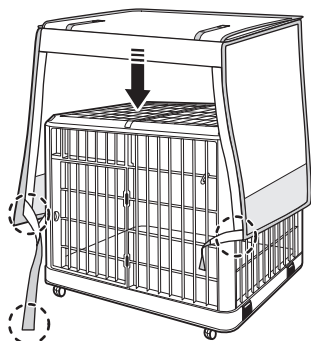
3 Place the side panels and secure with latches (4 spots).



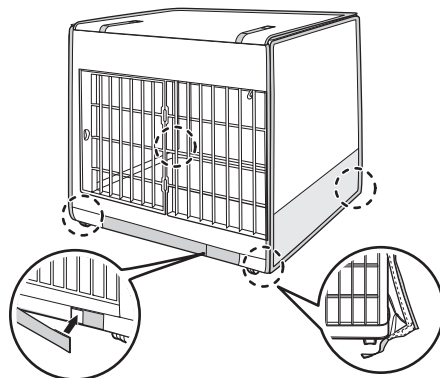
4 Position the roof and secure with screws, then attach screw covers.



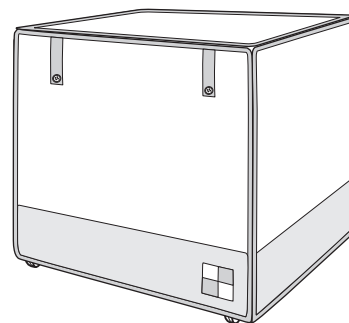
5 Detach the hook & loop closure on the cover before placing on the cage.



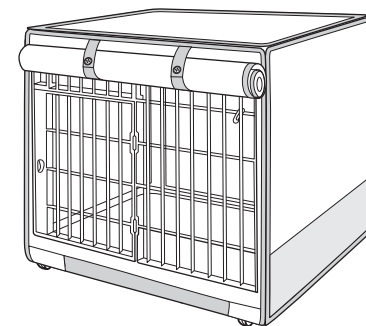
6 Attach the rubber covers, and close the front flap.



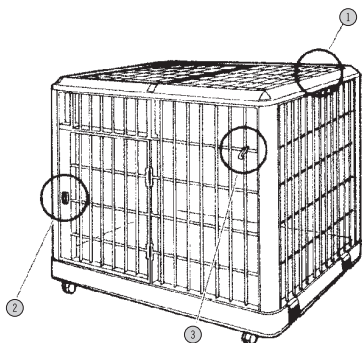
7 Finish by straightening and attaching the hook & loop closures.



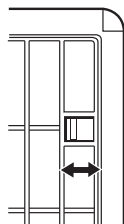
8 Front flap can be secured in the rolled-up position.



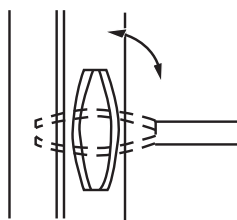
OPERATION



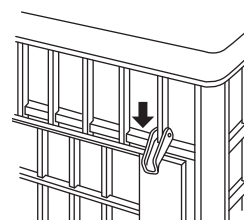
① Slide the lock on the roof inwards to open, and outwards to lock.



② To open, turn the lock on the front panel horizontally, and vertically to close.



③ When securing the door, press the stoppers until you hear a click.



IRIS USA, Inc.
11111 80th Avenue
Pleasant Prairie, WI 53158
800.320.4747
www.irisusainc.com