



**STAND PET DRYER  
OWNER'S MANUAL  
Model No. B-16**

XPOWER MANUFACTURE, INC.  
220 Clary Avenue  
San Gabriel, CA 91776 USA  
Tel: (626) 285-3301; Fax: (626) 285-3302  
[www.xpower.ws](http://www.xpower.ws)



**Table of Contents**

Introduction ..... 1  
Operation / Instructions..... 2  
Instructions for Professional Features.....3  
Adjustment / Accessories.....4  
Specifications / Assembly .....5  
Dryer Parts List ..... 6  
Installation Tips and Hints .....7  
Safety Instructions ..... 8  
Warranty / Service ..... 9  
Maintenance Instructions / Troubleshooting ..... 10  
Warranty Registration Form .....11

## Introduction

**XPOWER B-16 Stand Pet Dryers** are designed and engineered to be powerful, super lightweight, energy-efficient and safety certified professional level pet dryers. The B-16 model comes with many unique, revolutionary features. Its BRUSHLESS DC MOTOR produces large volumes of air and wide range of air adjustment. The ANION TECHNOLOGY provides negative ionization and gives the dryer a low static drying capability. The XPOWER B-16 Stand Dryer comes with a variable stepless speed control that gives you a full range of control of motor speed, from 0 to 300 rated CFM, with duo temperature settings for all your pet drying needs. The B-16 Stand Dryer is essential for those who desire better grooming for pets and greater profits for the business.

### Special Features:

- **Stepless Motor Speed Control** - variable airflow settings from 0 CFM to a high volume of 300 CFM.
- **Powerful Brushless DC Motor** - revolutionary, high performance, maintenance free and energy-efficient brushless motor for reliability and worry-free operation, ensuring quality performance and many years of service.
- **Rotating Nozzles** - swivels 360° for different drying directions.
- **Patented Leg Stand** - sturdy and foldable 5-leg stands with lockable casters.
- **Air Filter** - easy-to-clean air filter helps blow clean air and keeps debris and pet hair from coming into the motor.
- **Hydraulic Pole Stand** - adjustable height up to 5 ft.
- **Anion Technology** - produces negative ionization for low static pet drying capability.

## **Operation / Instructions**

XPOWER B-16 Stand Dryers are designed for hands-free pet drying.

1. Carefully follow the assembly instructions. Inspect the unit completely for any shipping damage or missing parts.
2. Upon assembly, place the dryer on a flat surface. Plug the electrical cord into a 3-prong GFCI outlet.
3. Turn on the AIR FLOW switch to desired speed.
4. If heat is required, turn heat switch to position 1 (for low heat) or position 2 (for high heat).
5. All Dryers in operation must be supervised at all times.
6. Use the stand adjustment handle to set the desired height and make sure to tighten the handle afterwards.

## Instructions for Professional Features

### **Heat Switch:**

Position 1 for low heat

Position 2 for high heat

**Select desired temperature setting.**



### **Air Flow Switch:**

The Air Flow Control is also the ON / OFF switch.

### **ANION Switch:**

The Anion Function offers ANION low static air flow during Grooming.

## Adjustment / Accessories



Turn handle clockwise to tighten, counter-clockwise to loosen.



### **Accessories - Filter**

A filter is included in the XPOWER B-16 Pet Dryer, which will help prevent small debris and pet hair from entering the unit. To clean the filter, remove the filter from the unit and wash with warm soapy water, rinse with clean water and let dry thoroughly before reinstalling.



Tiltable head for different angle positions

Hydraulic height adjustment



Filter located at the bottom of motor

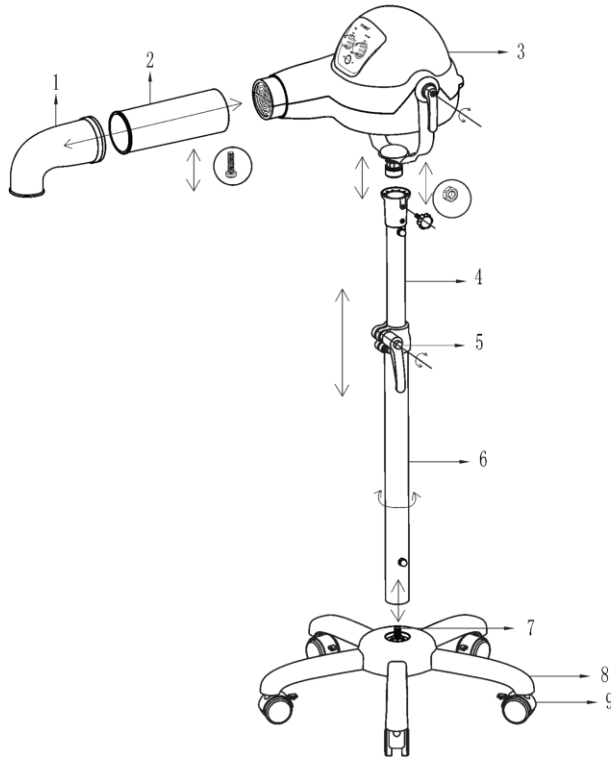
## **Specifications**

Volt / Cycle	115 V / 50-60Hz	Cord Length	13 Ft.
Motor	1/4 HP	Rated Airflow	300 CFM
Max. Amp	12 Amps.	Heater	Duo Setting
Weight	17 Lbs.	Housing	ABS
Speeds	Variable (Stepless)	Safety Marks	ETL / C-ETL
ANION	YES	Filter System	YES

## **Assembly**

1. Unfold the patented foldable 5-leg stand. Attach the five wheels to the stand base. Attach the lower stand pipe to the base by screwing the pipe to the center screw in the base.
2. Attach the dryer motor to the top stand pipe.
3. Attach the air outlet flexible nozzle and straight pipe to the dryer motor assembly.
4. Plug the unit, turn on the switch and start using your XPOWER Stand Dryer.

## Dryer Parts List



Item No.	Parts Name
1	Air outlet flexing nozzle
2	Straight hose
3	Dryer motor assembly
4	Upper stand pipe
5	Stand adjustment handle
6	Lower stand pipe
7	Stand base screw
8	Foldable stand legs
9	Leg Wheels



## **Installation Tips and Hints**

### **Part # 8 & # 9**

Open Foldable Stand Legs and push Leg Wheels in to Foldable Stand Legs.

### **Part # 6 & # 7**

Make sure parts 6 & 7 are screwed together tightly until the pipe comes in contact with the foot stand.

### **Part # 3 & # 4**

Connect Upper Stand Pipe to Dryer Motor Assembly.

### **Part # 2 & # 3**

There are notches on both straight hose and motor. Assemble and align them properly before joining them together, then screw them in tightly.

## **Safety Instructions**

**WARNING: IMPORTANT SAFETY PRECAUTIONS!**

**PLEASE READ COMPLETELY BEFORE USING PRODUCT!**

When using electrical appliances, especially when children or animals are present, basic safety precautions should always be followed to reduce the risk of fire, electric shock, and personal injury. These include, but are not limited to the following:

- Do not leave the dryer and animal unattended while the product is in use.
- Unplug dryer when not in use.
- Do not use extension cords with the dryer product.
- Do not unplug unit by pulling on cord.
- Do not expose dryer to rain or water.
- Unplug unit before attempting any maintenance or service.
- Do not let air-intake get clogged.
- Do not direct dryer air towards eyes or ears of people or pets.
- Never use dryer with a damaged cord/plug or when unit has been dropped, damaged, or exposed to rain/water. Please call our Technical Department for service or repair.
- Do not use any other nozzles not intended for use with the dryer.
- Do not operate without filter in place. Keep filter clean, as a dirty filter limits air intake and may damage the motor or cause overheating.
- Plug only into a properly grounded receptacle. Always confirm that the amperage rating of the electrical outlet complies with the Dryer + Vacuum rating.
- Do not use product for anything other than its intended purpose.
- Do not attempt to perform any service or maintenance not outlined in the instruction manual.

## **XPOWER Limited Warranty**

**XPOWER** Warranty covers the unit from defects in materials and craftsmanship. The Warranty covers normal use for a term of one year from original date of purchase; including parts, labor and one way shipping. **XPOWER 'motor housing' is covered for a term of five years from the date of the original purchase.**

### **Important!**

The Warranty does not cover signs of misuse including, but not limited to, a unit that has been dropped, subjected to water damage, tampered with, or has been subject to improper voltage use and/or unauthorized maintenance and repairs.

The POWER CORD and FILTER are not covered by the warranty.

### **Service**

For Warranty service and parts replacement, you must:

1. Call 1-855-855-8868 for an RMA (Return Merchandise Authorization) number.
2. Have proof of purchase.
3. Use the original undamaged packaging or an Industrial certified packaging method.

The end user will be responsible to ship back the unit (with RMA Number showing on the shipping label) to the XPOWER Service Department. XPOWER to inspect, assess and advise the repairs needed and the applicable costs.

## Maintenance Instructions

- To keep the dryer clean, use a damp cloth to wipe the surface of the housing.
- Never clean the unit with water.
- When not in use, unplug and store the XPOWER Pet Dryer in a dry indoor place out of reach of children.
- Always disconnect the XPOWER Pet Dryer from its power source before performing any maintenance or cleaning.
- Clean the filter as often as necessary to avoid loss of airflow.

## Troubleshooting

For any problems not listed below, call your local distributor or contact our Service Department.

<b>PROBLEM</b>	<b>POSSIBLE CAUSE</b>	<b>SOLUTION</b>
Pet Dryer not running	No power input	Plug in the dryer; check circuit breaker
	Air Flow Switch not turned on	Turn on the Air Flow switch
	Unit fan jammed	<b>Contact our Service Department</b>
Pet Dryer vibrates excessively	<b>Fan out of balance</b>	<b>Contact our Service Department</b>

# WARRANTY REGISTRATION

Please complete and mail or fax this form for your product warranty. For multiple units, please list serial numbers on a separate sheet of paper.

Address: XPOWER MANUFACTURE, INC., 220 Clary Avenue San Gabriel, CA 91776, USA

Tel: (626) 285-3301 Fax: (626) 285-3302

Your Name / Company Name \_\_\_\_\_

Contact Name \_\_\_\_\_ Title \_\_\_\_\_

Address \_\_\_\_\_ City \_\_\_\_\_ State \_\_\_\_\_ Zip \_\_\_\_\_

Phone \_\_\_\_\_ Fax \_\_\_\_\_ E-mail \_\_\_\_\_

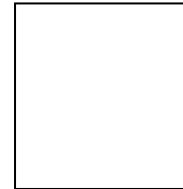
Stand Pet Dryer Model # \_\_\_\_\_ Serial # \_\_\_\_\_

Date of Purchase \_\_\_\_/\_\_\_\_/\_\_\_\_ Purchased From \_\_\_\_\_

**From:** \_\_\_\_\_

\_\_\_\_\_

\_\_\_\_\_



**TO:**

**XPOWER MANUFACTURE, INC.**

**220 CLARY AVENUE**

**SAN GABRIEL, CA 91776, USA**

**TEL: (626) 285-3301; FAX: (626) 285-3302**

