

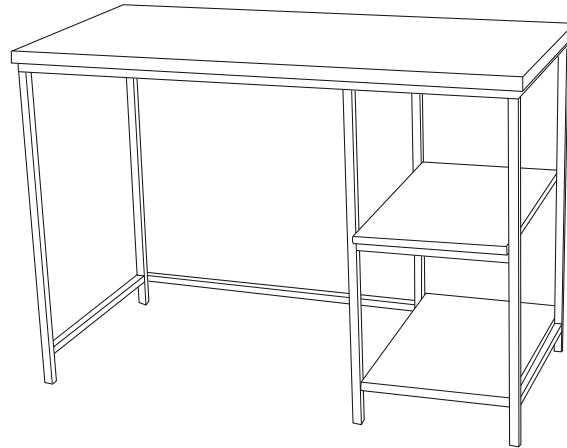


CAROLINA FORGE

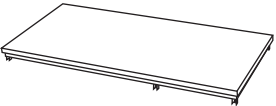
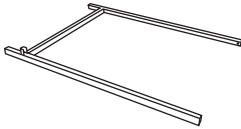
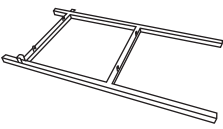
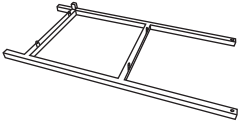
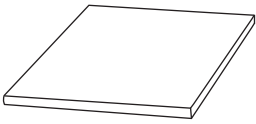



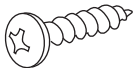
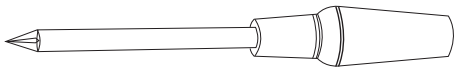
Assembly Instructions

Item # CF4220

CARLTON DESK



Thank you for purchasing a Carolina Forge Company product. This product has been designed for easy assembly and is constructed for durability. Please take the time to read and follow the assembly instructions carefully. If a part or hardware is missing or you have any difficulties in assembling this product, please contact us Toll Free 1-800-228-3876.

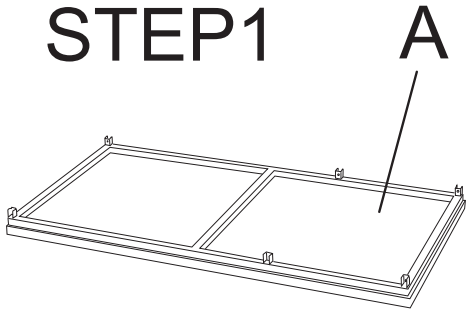
NO.	PART	DESCRIPTION	Q'TY	NO.	PARTS	DESCRIPTION	Q'TY	
A		Top	1PC	B		Leg	1PC	
C		Leg	1PC	D		Leg	1PC	
E		Shelf	2PCS	F		Connecting Tube	1PC	
				G		Connecting Tube	1PC	
H		Bolt 6mm 10mm	10PCS	I		Wood Screw 12mm	8 PCS	
J						Tool You Will Need (Not Supplied)	Crosshead Screwdriver	1PC



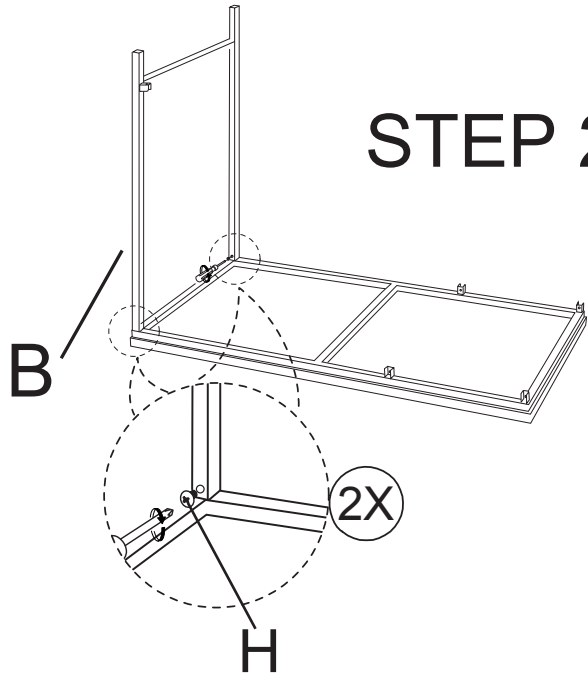
CAROLINA FORGE

Assembly Instructions
Item # CF4220
CARLTON DESK

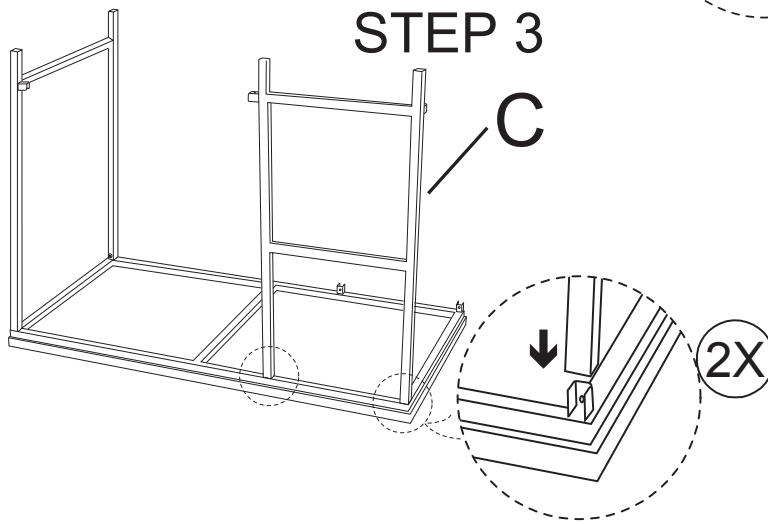
STEP 1



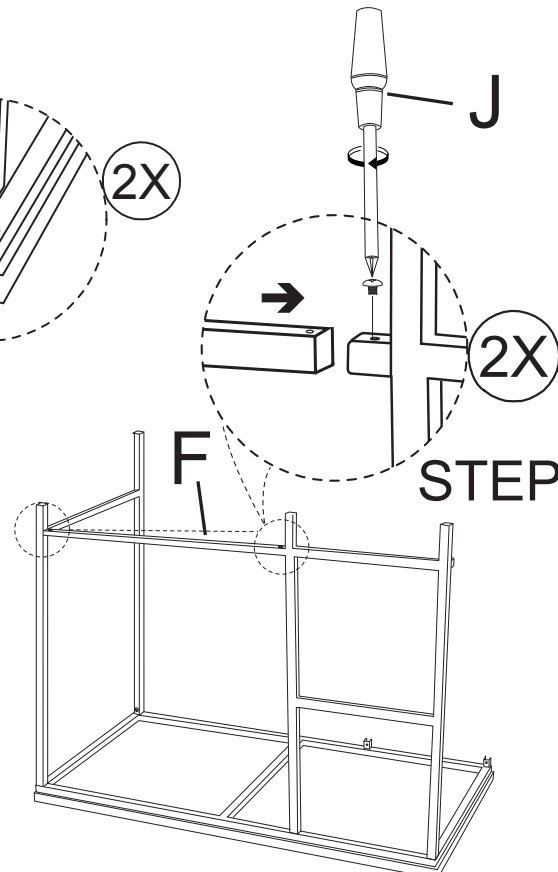
STEP 2



STEP 3



STEP 4





CAROLINA FORGE

Assembly Instructions

Item # CF4220

CARLTON DESK

