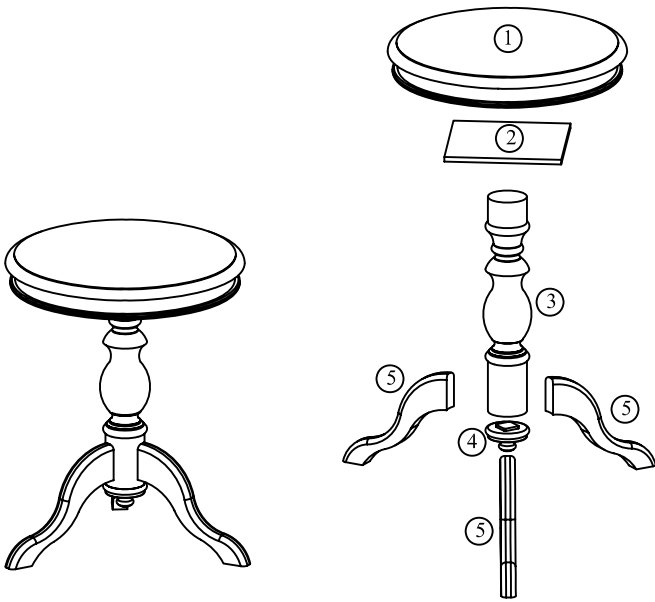


# CAROLINA CHAIR & TABLE COMPANY

Thank you for purchasing a Carolina Chair & Table Company product. This product has been designed for easy assembly and is constructed for durability. Please take this time to read and follow the assembly instructions carefully. If a part or hardware is missing or you have any difficulties in assembling this product, please contact us Toll-Free at 1-800-228-3876.

## Assembly Instructions

ITEM # 1925



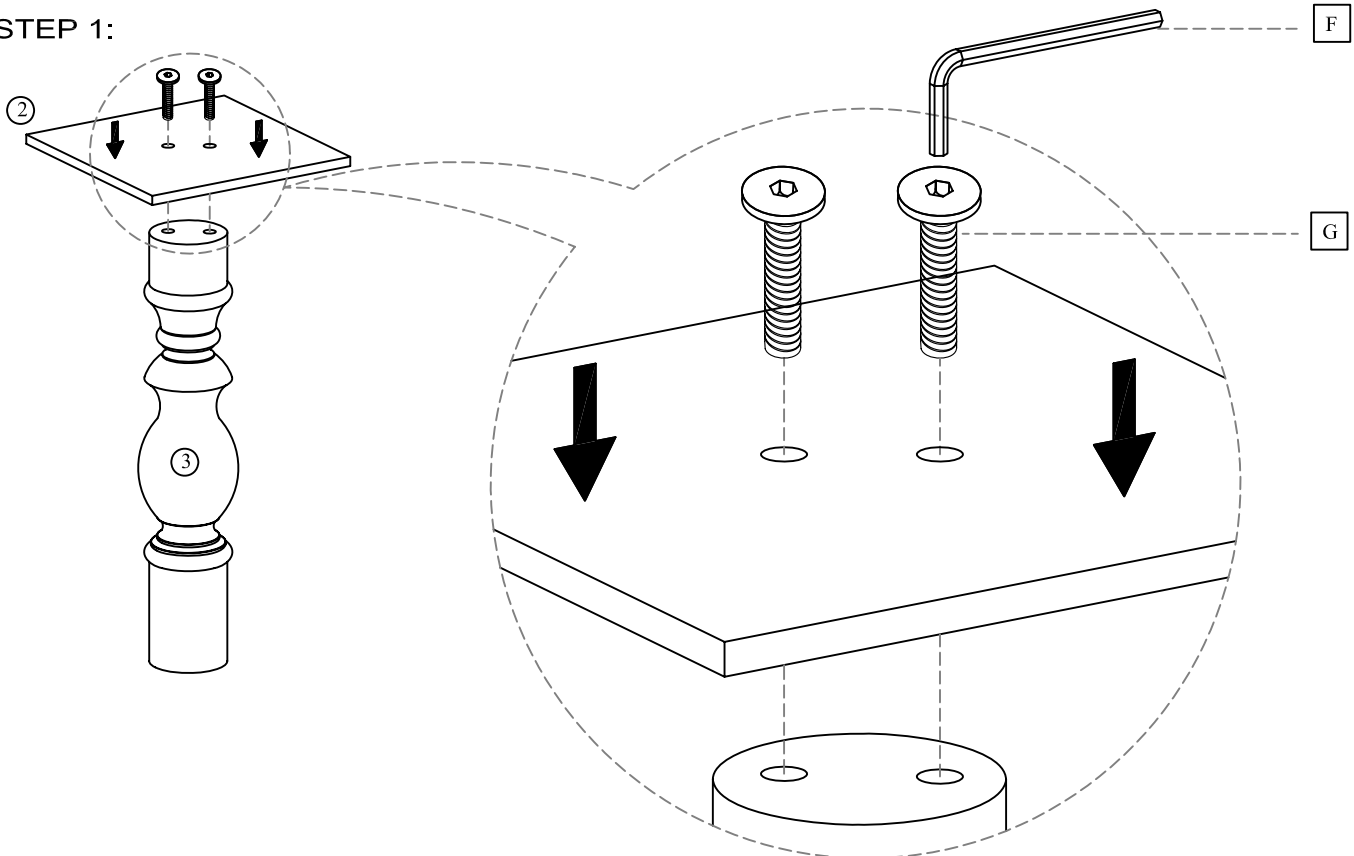
### PARTS CHECK LIST

CODE	COMPONENTS	Q'TY
①	TABLE TOP	X1
②	SUPPORT PANEL	X1
③	POST LEG	X1
④	BOTTOM	X1
⑤	BASE	X3

### FITTINGS CHECK LIST

CODE	DESCRIPTION	Q'TY
A		X3
B		X3
C		X1
D		X4
E		X2
F		X1
G		X2

### STEP 1:



STEP 2:

