

CAROLINA CHAIR & TABLE COMPANY

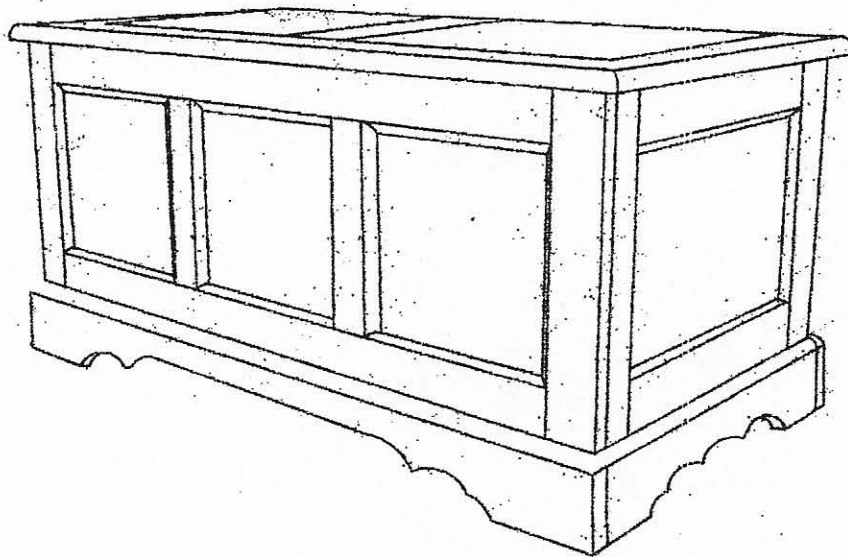
ASSEMBLY INSTRUCTIONS

Item #: 4119



Thank you for purchasing a Carolina Chair & Table Company product. This product has been designed for easy assembly and is constructed for durability. Please take the time to read and follow the assembly instructions carefully. If a part or hardware is missing or you have any difficulties in assembling this product, please contact us Toll-Free at 1-800-228-3876

Camden Blanket Chest



Thank you for purchasing our # 4119 Camden Blanket Chest.
Assembly of this product requires a Phillips head screwdriver and a mallet.

STEP 1

Read through these instructions thoroughly before beginning assembly. We have found this to be of great value when first assembling this product.

STEP 2

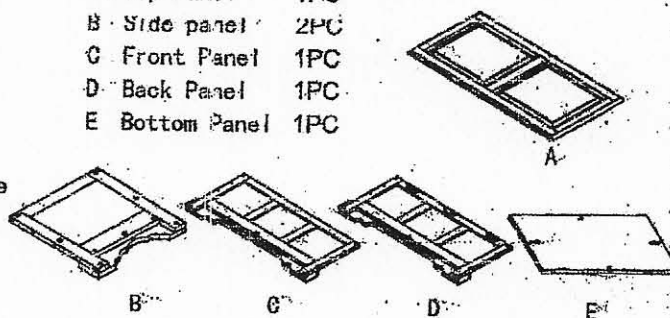
Remove all parts and hardware from packing material. Wooden pieces should be placed on a non-abrasive surface (like the carton or carpet) to prevent damage to the finish.

STEP 3

Identify all parts using diagram on the right.

PARTS LIST:

- A. Top Panel 1PC
- B. Side panel 2PC
- C. Front Panel 1PC
- D. Back Panel 1PC
- E. Bottom Panel 1PC

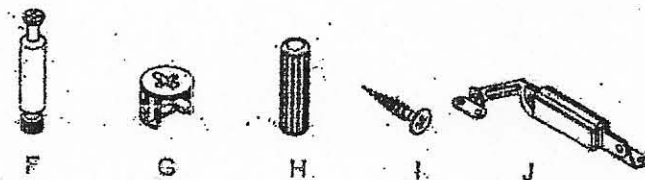


STEP 4

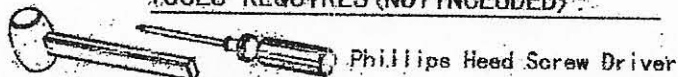
Identify and count hardware using diagram on the right. assembly of this product requires a philips-head screwdriver, this tool is not included.

HARDWARE LIST:

- F Cam screw (32mm) 16PCS
- G Cam-lock (15X32mm) 16PCS
- H Wood Dowel (m8X30mm) 12PCS
- I Wood Screw (m3X12mm) 14PCS
- J Safety Hinges 2PCS

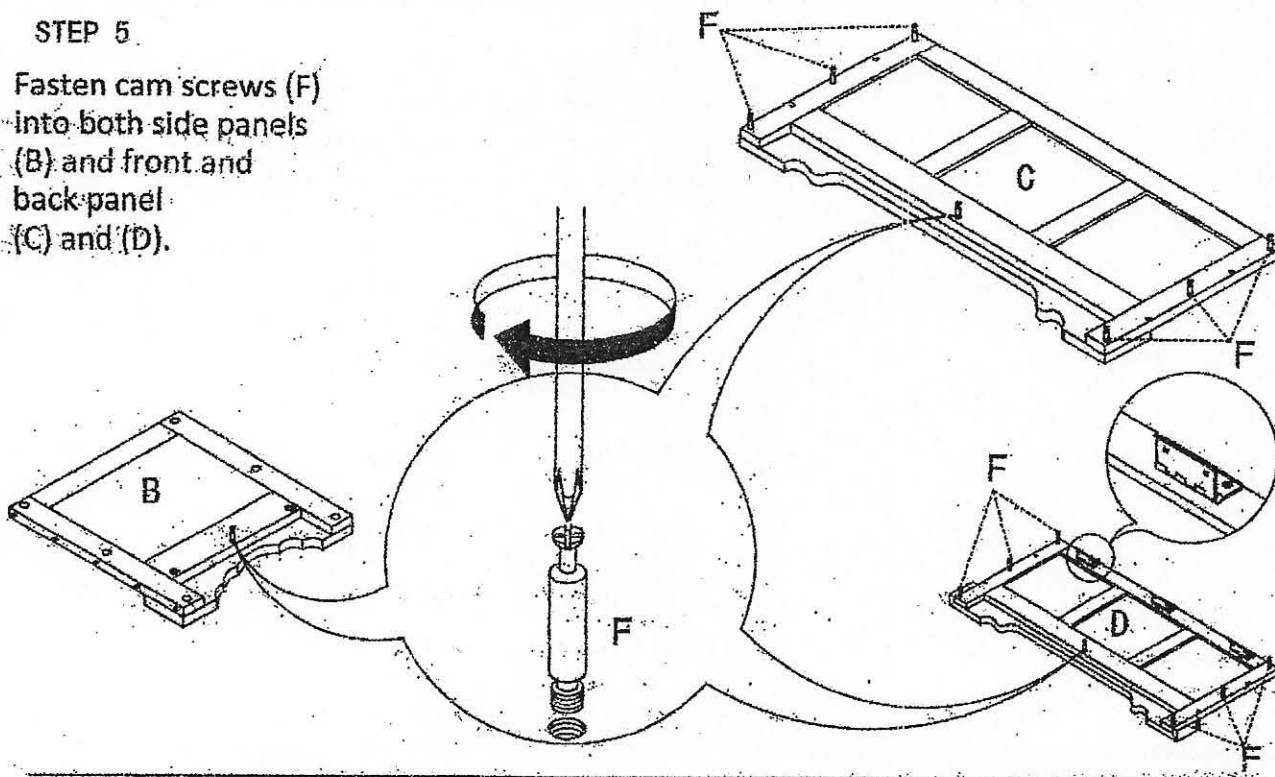


TOOLS REQUIRES (NOT INCLUDED)



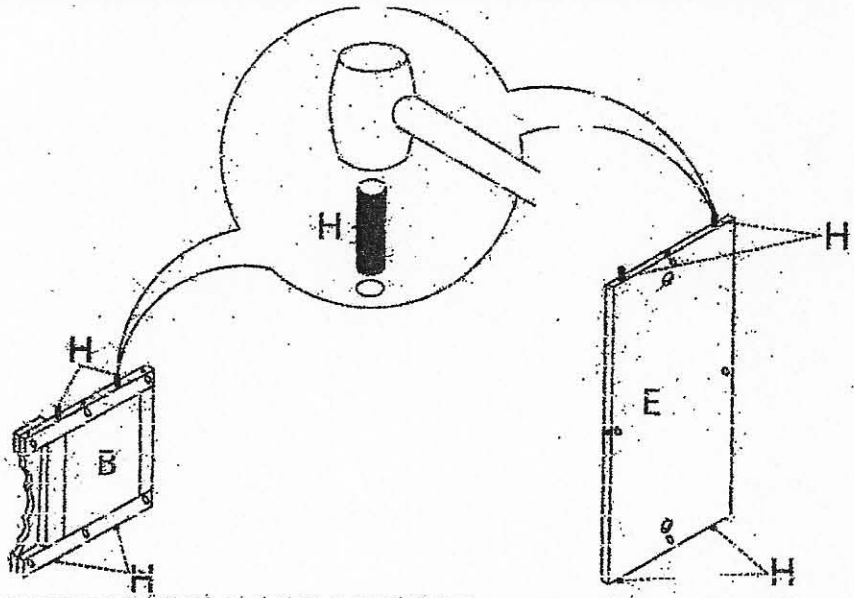
STEP 5

Fasten cam screws (F) into both side panels (B) and front and back-panel (C) and (D).



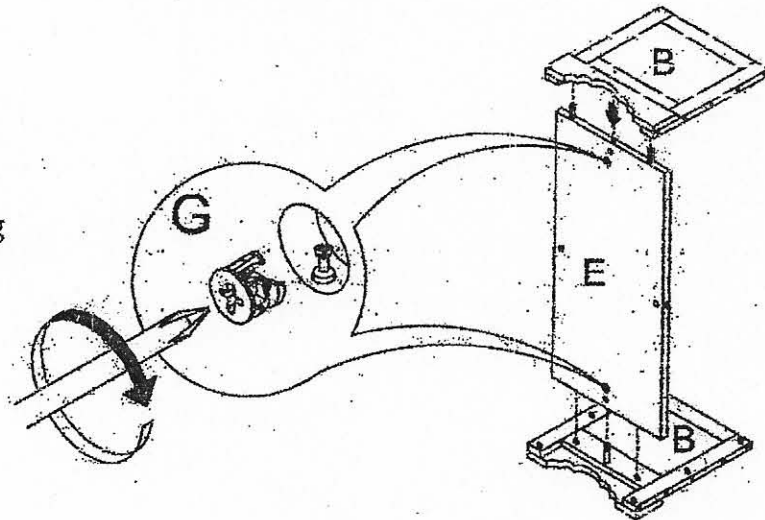
STEP 6

With a mallet or a hammer slightly tap the wood dowels (H) into the holes provided on both panels (B) and bottom (E).



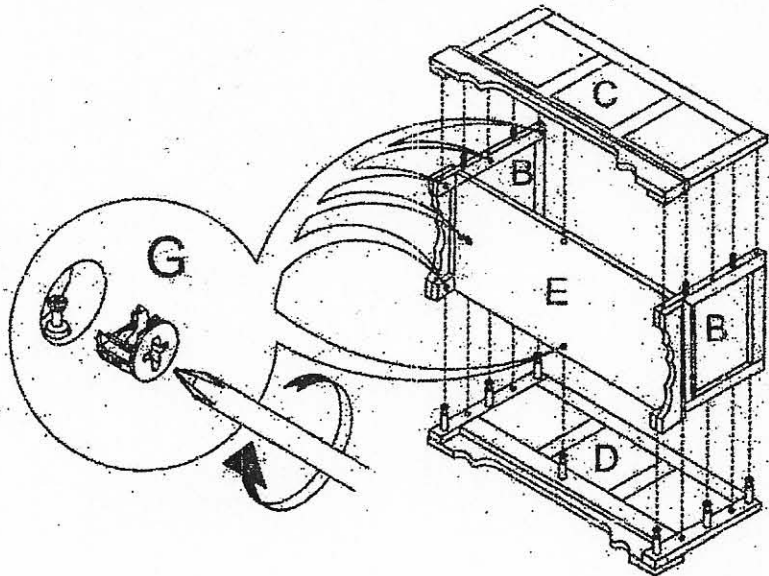
STEP 7

Insert cam locks (G) into panel's (E) short sides and then assemble both side panels (B) to it by tightening the cam locks as shown in the diagram.



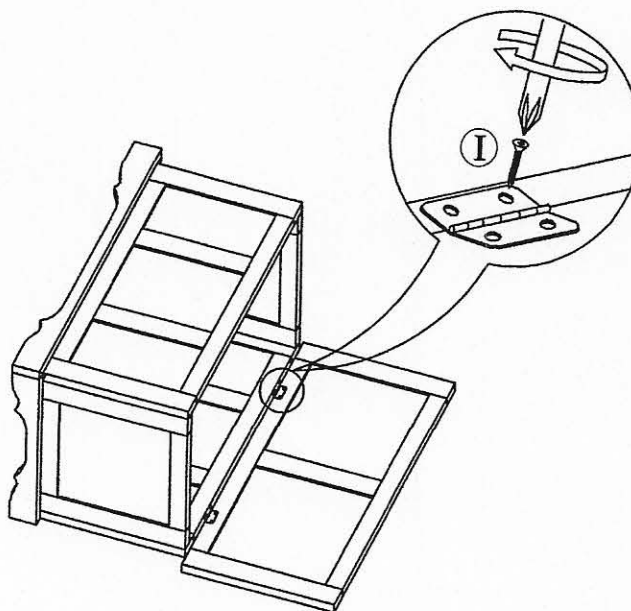
STEP 8

Insert all remaining cam locks into holes in side panels (B) and (E). Place the back panel (D) on the floor and assemble all side panels and bottom panel as shown in the diagram. At this point make sure all the cam locks are tightened 100%.



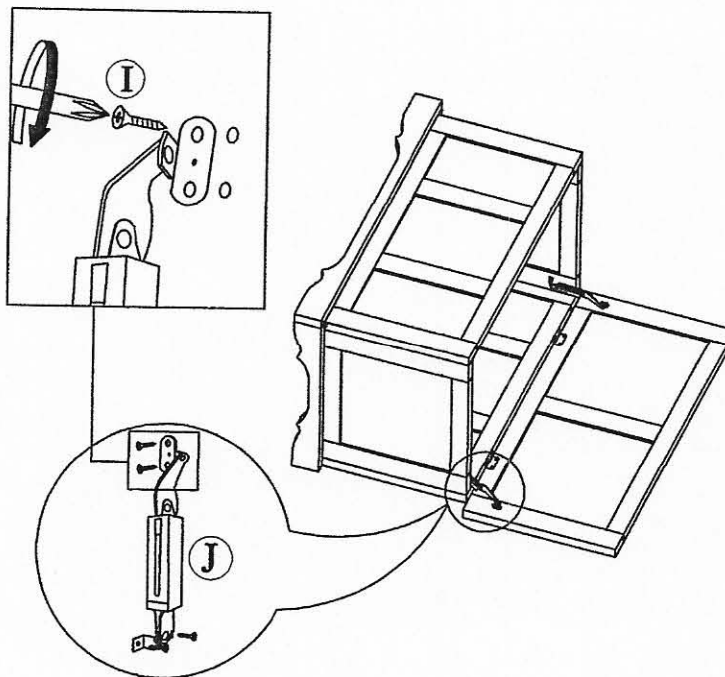
STEP 9

Lean back the assembled box so its back panel (D) is on the floor. attach the top panel (A) to the rest of the furniture piece with wood screws (I) provided. Pilot holes are factory predrilled in the top panel (A) for easier centering and assembly.



STEP 10

Lastly, attach the safety hinges (J) with wood screws (I) as shown in the diagram. The pilot holes are predrilled by the factory for easier assembly.



CARE

The touch of a soft cloth is all the maintenance your furniture piece will ever need. Never use harsh chemicals or abrasive cleaners, as they could mark or destroy the finish.

CARE INSTRUCTIONS

Thank you for your purchase. Our items are intended for residential use only.

To clean and maintain your furniture we recommend dry dust with a soft clean cloth.

Do not use harsh chemicals to clean your furniture as this could damage the protective top coat and/or finish.