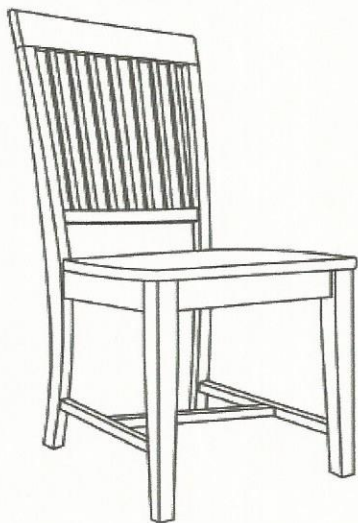




Thank you for purchasing a Carolina Chair & Table Company product. This Product has been designed for easy assembly and is constructed for durability. Please take this time to read and follow the assembly Instructions carefully. If a part or hardware is missing or you have any difficulties in assembling this product, please contact us Toll-Free at 1-800-228-3876.

ASSEMBLY INSTRUCTION
ITEM #265 SLAT BACK CHAIR

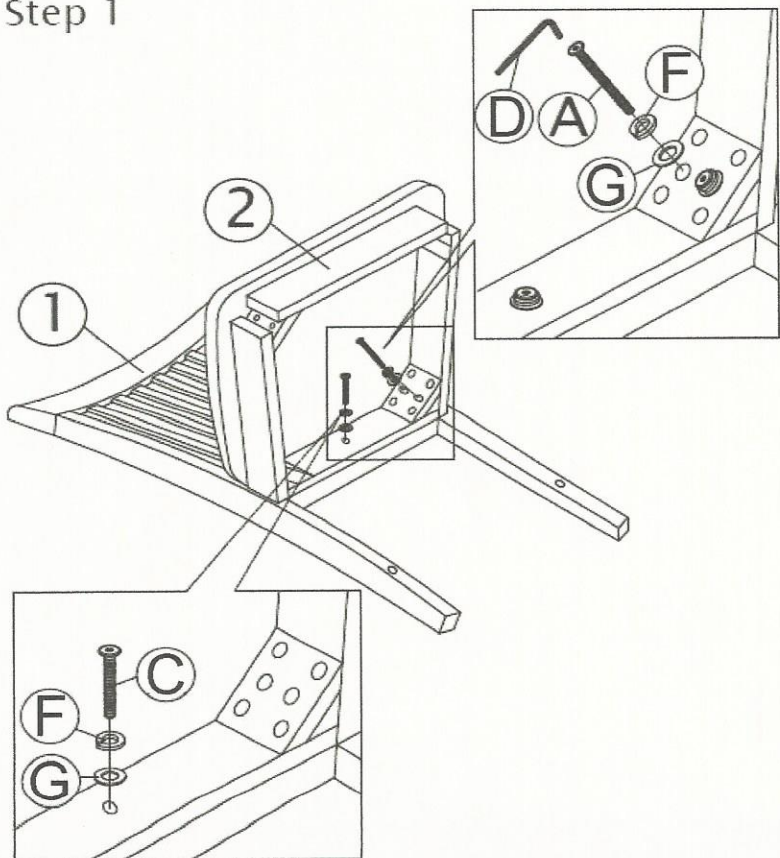


PART LIST			HARDWARE LIST		
NO	DESCRIPTION	QTY	NO	DESCRIPTION	QTY
1	Chair Back Assembly 	1 PC	A	JCBC Screw M6 x 80mm 	4 PCS
			B	JCBC Screw M6 x 60mm 	4 PCS
2	Chair Seat Box 	1 PC	C	JCBC Screw M6 x 35mm 	1 PC
3	Front leg (L) 	1 PC	D	Allen key M4 	1 PC
4	Front leg (R) 	1 PC	E	CSK Screw M4 	6 PCS
5	Side Stretcher (L&R) 	2 PCS	F	Spring Washer M6 	9 PCS
6	Center Stretcher 	1 PC	G	Flat Washer M6 	9 PCS

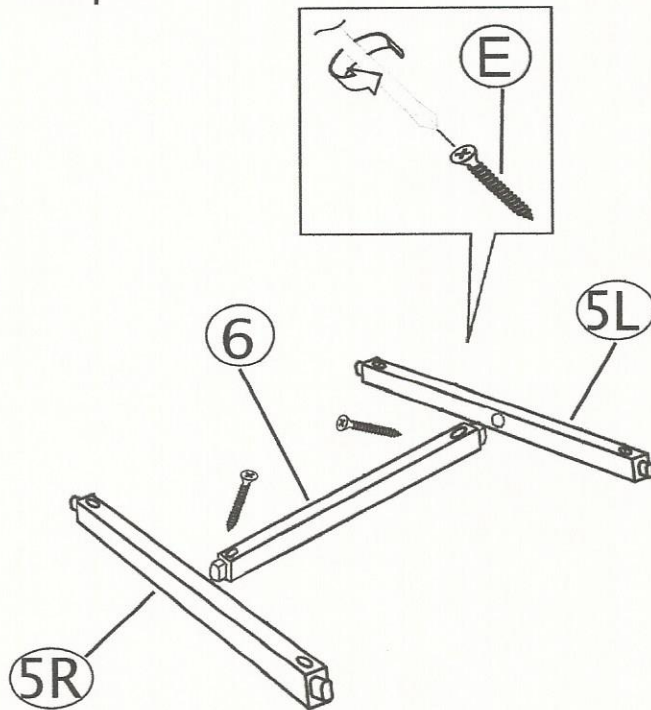
NOTE: TOOLS REQUIRED-NOT SUPPLIED



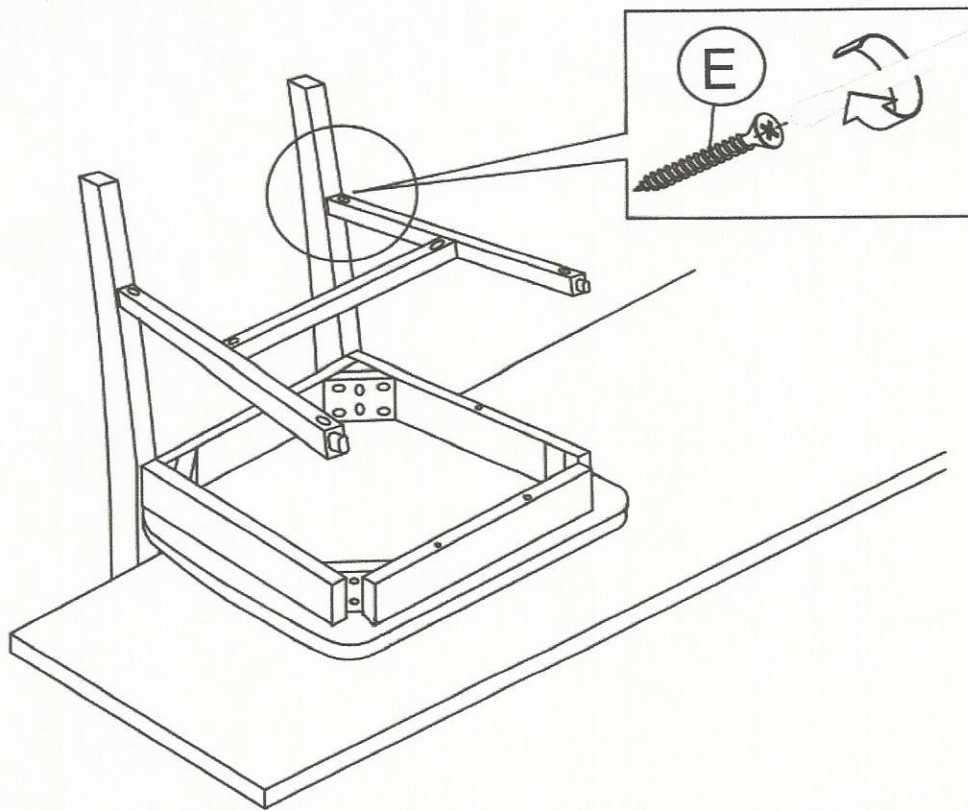
Step 1



Step 2

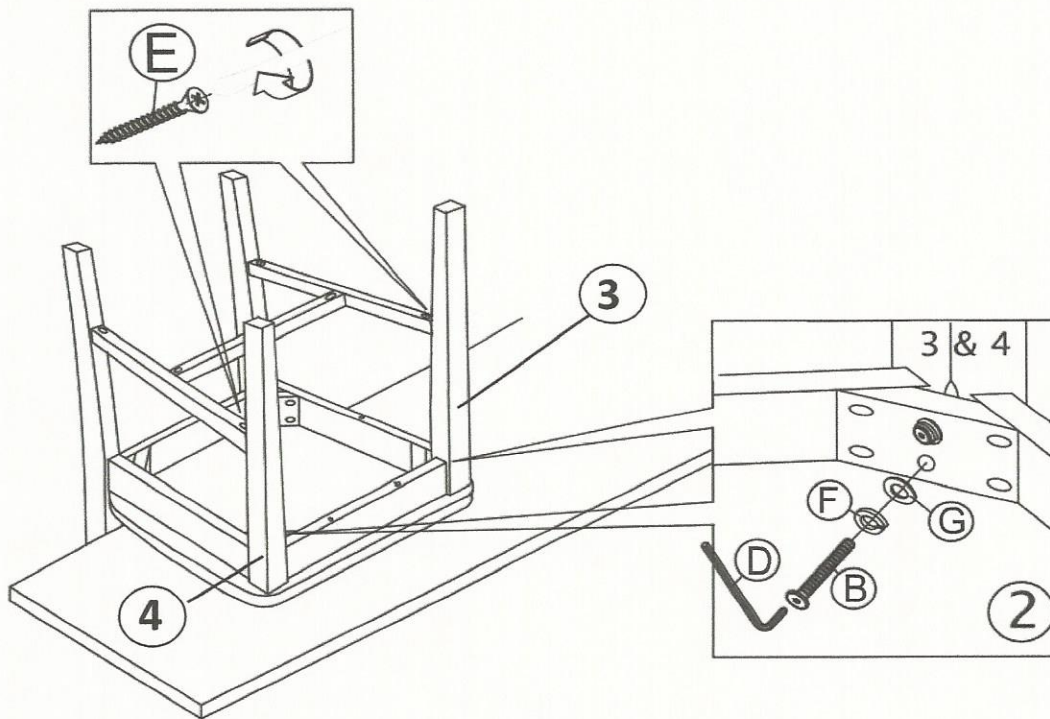


Step 3



NOTE : DO NOT TIGHTEN SCREWS AND BOLTS ALL THE WAY AT THIS TIME

Step 4



NOTE : ALL SCREWS AND BOLTS MUST BE TIGHTENED ALL THE WAY (100%).