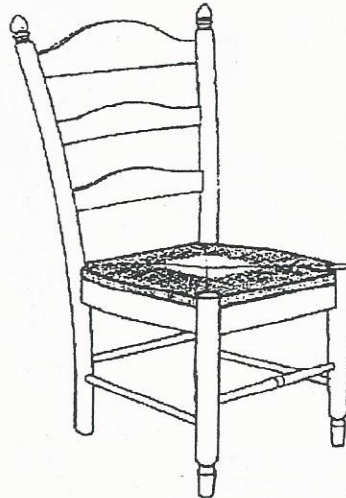




CAROLINA CHAIR & TABLE COMPANY

Assembly Instructions

MODEL NO. : 575-AP/575AB/575-EP/575-BR VERA DINING CHAIR WITH RUSH SEAT



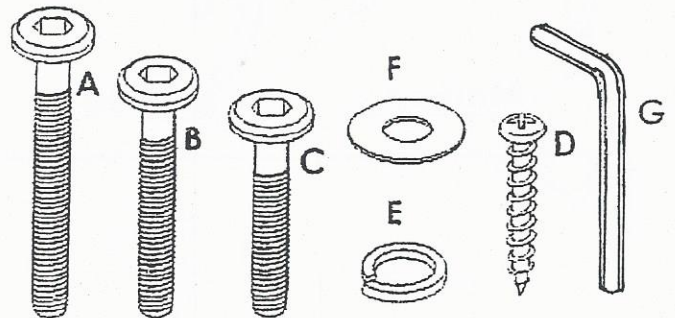
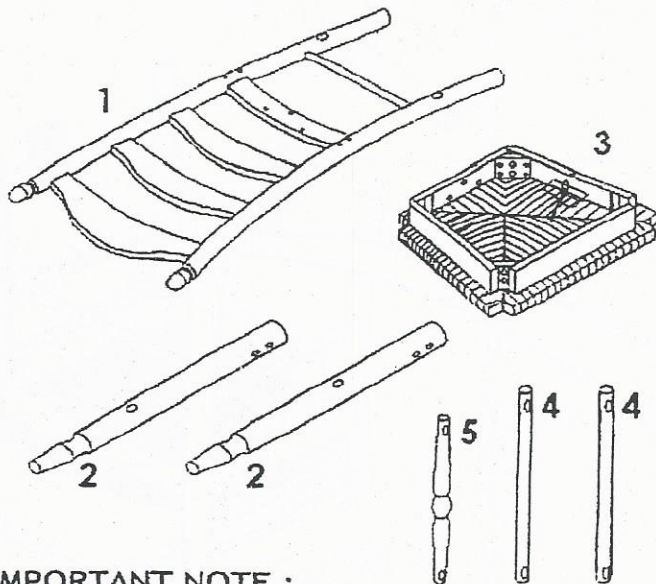
Thank you for purchasing a Carolina Chair & Table Company product. This product has been designed for easy assembly and is constructed for durability. Please take the time to read and follow the assembly instructions carefully. If a part or hardware is missing or you have any difficulties in assembling this product, Please contact us Toll Free at 1-800-228-3876.

PARTS LIST (1 CHAIR) :

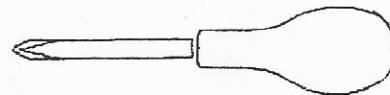
1	CHAIR BACK FRAME	1 PC.
2	FRONT LEG (Left & Right)	2 PCS.
3	RUSH SEAT WITH BOX SEAT ASSEMBLY	1 PC.
4	SIDE STRETCHER	2 PCS.
5	FRONT STRETCHER	1 PC.

HARDWARE LIST (1 CHAIR) :

A	JCBC SCREW-M6X70MM	4 PCS.
B	JCBC SCREW-M6X60MM	4 PCS.
C	JCBC SCREW-M6X40MM	3 PCS.
D	PAN HEAD SCREW-M4X38MM	6 PCS.
E	SPRING WASHER-1/4"	11 PCS.
F	FLAT WASHER-1/4" x 19MM (Thk2MM)	11 PCS.
G	ALLEN KEY-M4	1 PC.



TOOLS REQUIRED (NOT INCLUDED) :

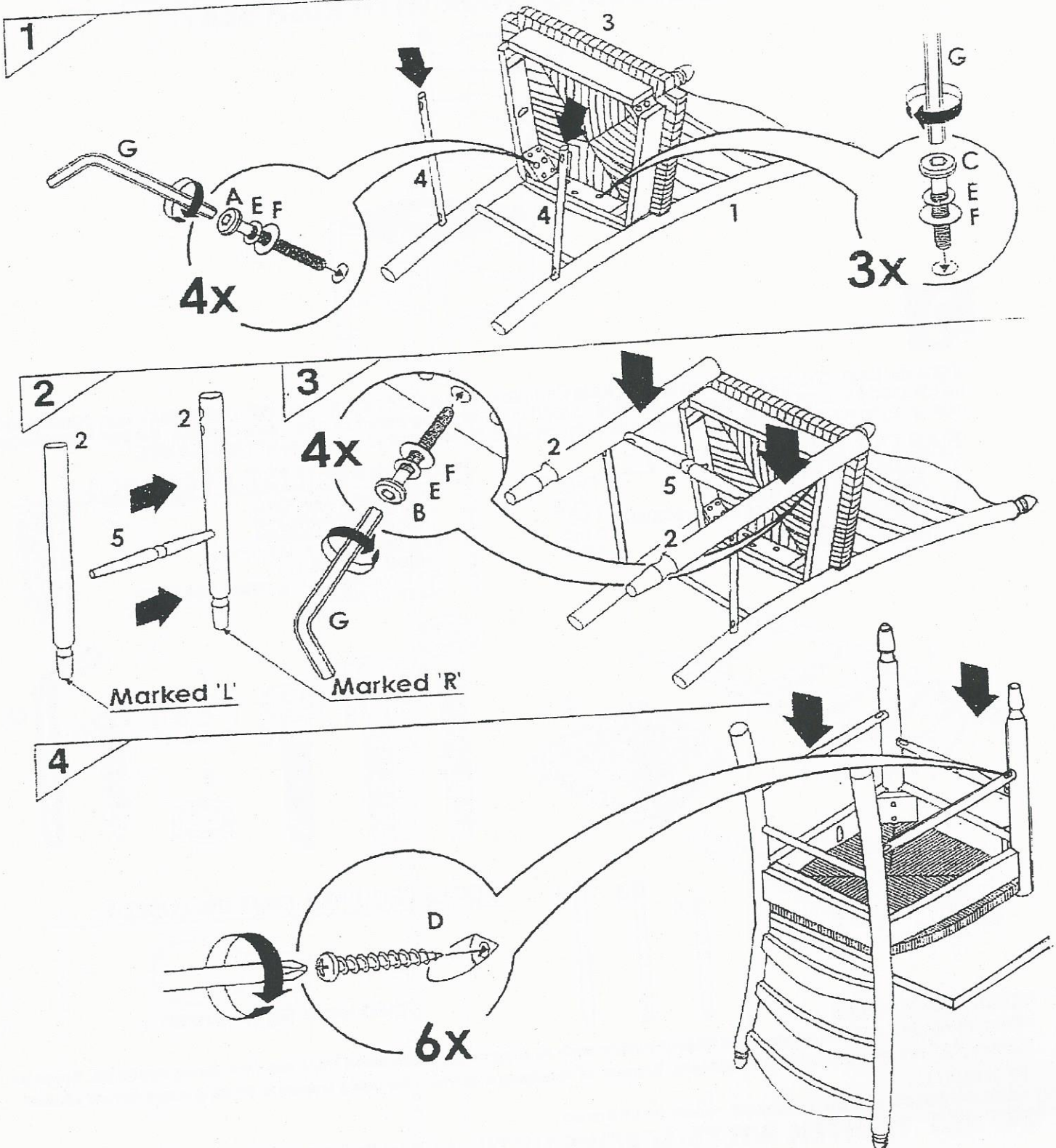


Philip Head Screw Driver

IMPORTANT NOTE :

- Place all wooden parts on a clean and smooth surface such as a rug or carpet to avoid the parts from being scratched. Check to be sure that you have all parts and hardware. Remove all wrapping materials, including staples & packing straps before you start to assemble.
- Keep all hardware parts out of reach of children.
- DO NOT TIGHTEN BOLTS/SCREWS UNTIL ALL COMPLETELY ASSEMBLED.**

Assembly Instructions
MODEL NO. : 575-AP/575AB/575-EP/575-BR
VERA DINING CHAIR WITH RUSH SEAT



CARE AND MAINTENANCE !
 The touch of a soft cloth is all the maintenance your wood pieces will ever need. Never use harsh chemicals or abrasive cleaners, as they could mark or destroy finish.

MADE IN MALAYSIA