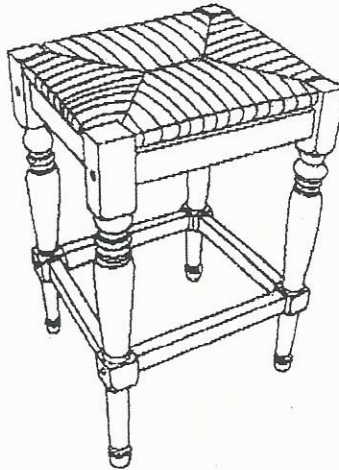




CAROLINA CHAIR & TABLE COMPANY

Assembly Instructions

MODEL NO. : 2663-RTA-AB/MW/WAL 29" RUSH SEAT STOOL



• Thank you for purchasing a Carolina Chair & Table Company product. This product has been designed for easy assembly and is constructed for durability. Please take the time to read and follow the assembly instructions carefully. If a part or hardware is missing or you have any difficulties in assembling this product, Please contact us Toll Free at 1-800-228-3876.

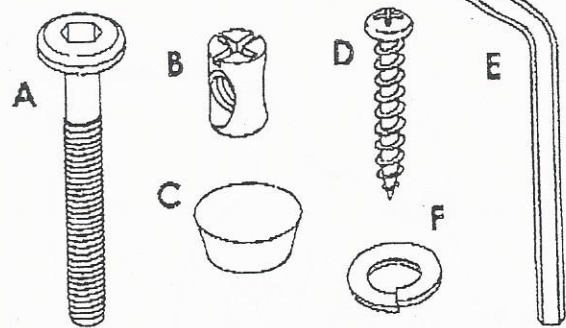
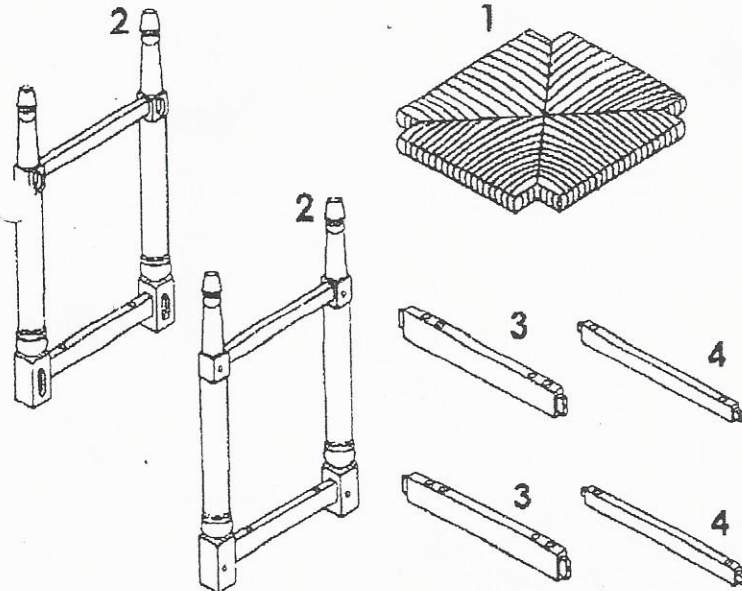
PARTS LIST :

- 1 RUSH SEAT
- 2 SIDE FRAME
- 3 TOP RAIL
- 4 BOTTOM RAIL

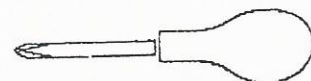
- 1 PC.
- 2 PCS.
- 2 PCS.
- 2 PCS.

HARDWARE LIST :

- A JCBC SCREW - M6x70mm 8 PCS.
- B BARREL NUT 8 PCS.
- C WOOD BUTTON 8 PCS.
- D PAN HEAD WOOD SCREW - 38mm 8 PCS.
- E ALLEN KEY - M4 1 PC.
- F SPRING WASHER - M6 8 PCS.



TOOLS REQUIRED (NOT INCLUDED) :



Philip Head Screw Driver

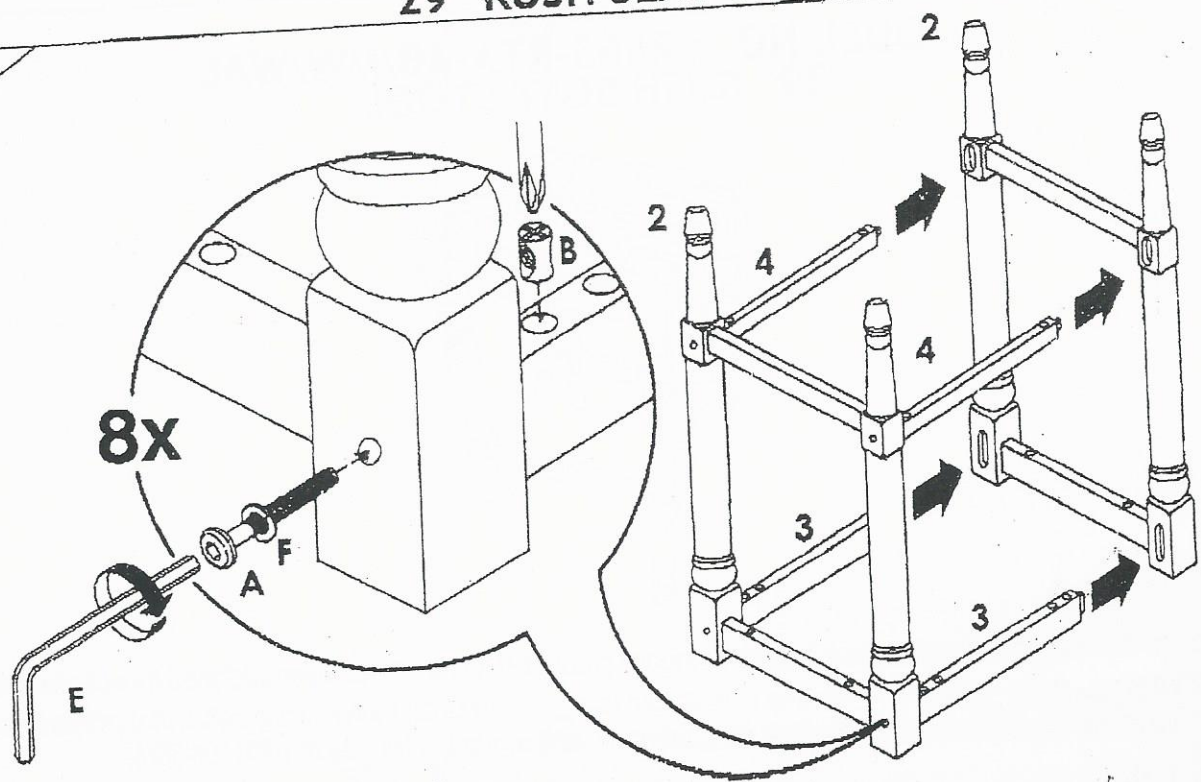
IMPORTANT NOTE :

- Place all wooden parts on a clean and smooth surface such as a rug or carpet to avoid the parts from being scratched. Check to be sure that you have all parts and hardware. Remove all wrapping materials, including staples & packing straps before you start to assemble. Do not tighten all screws/bolts until all completely assembled.
- Keep all hardware parts out of reach of children.

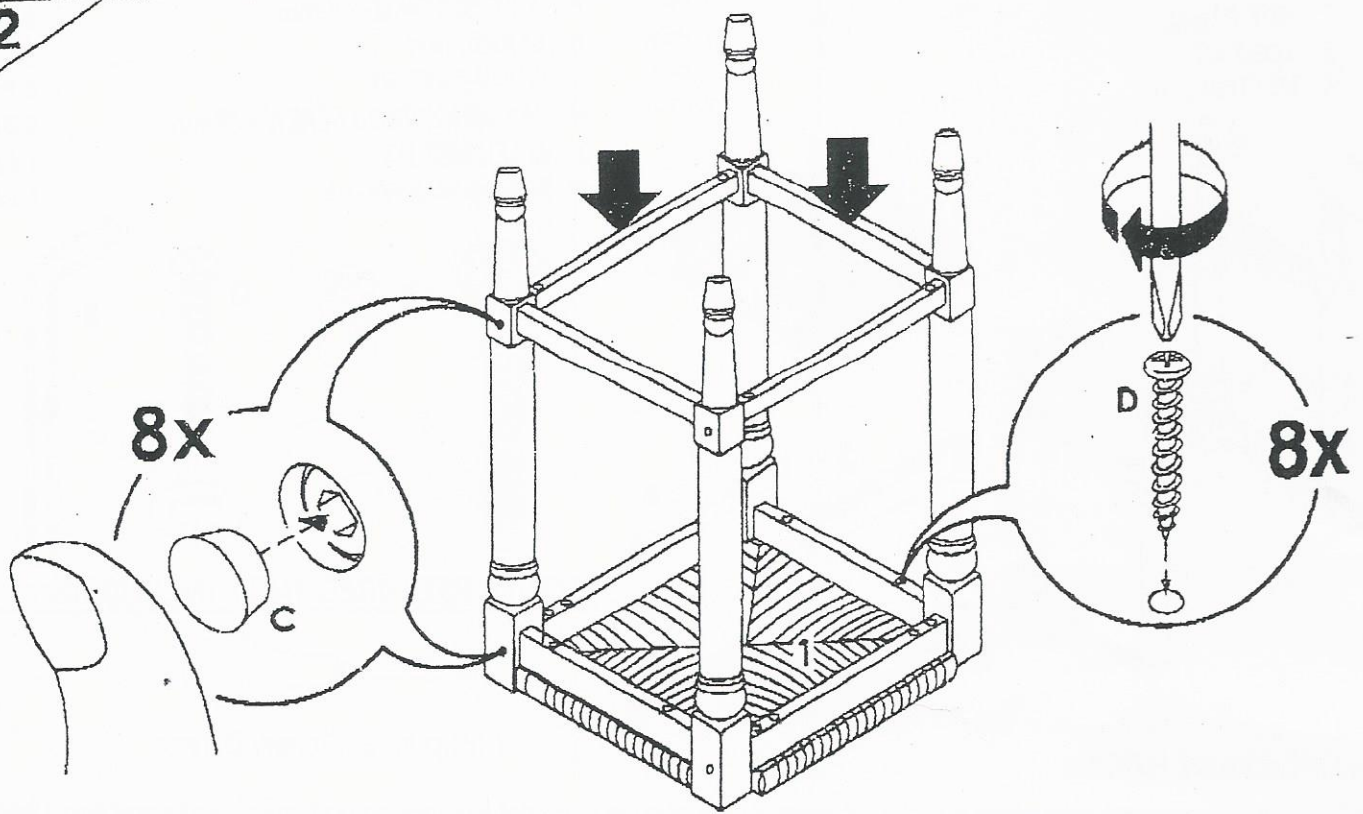
• DO NOT TIGHTEN BOLTS/SCREWS UNTIL ALL COMPLETELY ASSEMBLED.

Assembly Instructions
MODEL NO. : 2663-RTA-AB/MW/WAL
29" RUSH SEAT STOOL

1



2



CARE AND MAINTENANCE

- The touch of a soft cloth is all the maintenance your wood pieces will ever need. Never use harsh chemicals or abrasive cleaners, as they could mark or destroy finish.
- Bolts, screws, and nuts may loosen during everyday use. They should be periodically inspected and re-tightened to prevent damage or injury. Always visually check that all hardware on the list is attached and kept tightened.

MADE IN MALAYSIA