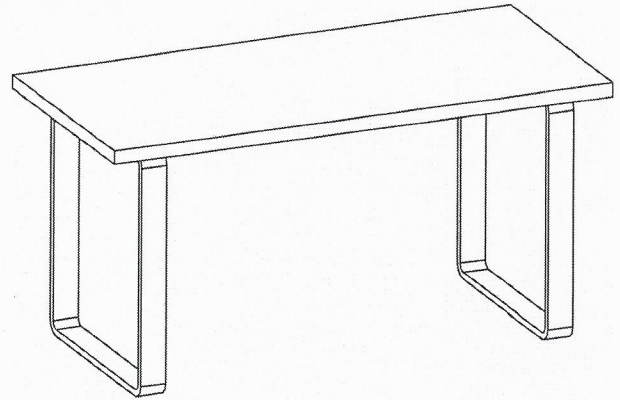


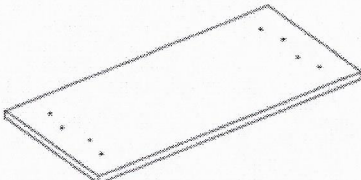
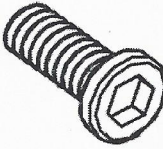
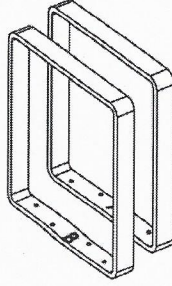

CAROLINA FORGE

Assembly Instructions

Item # BN1840CHETBK



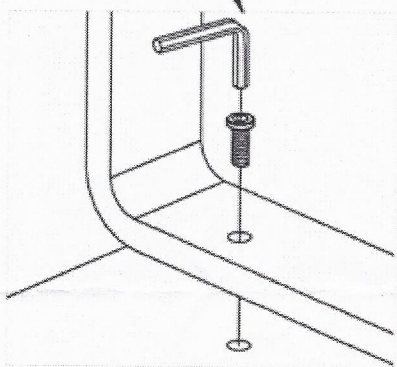
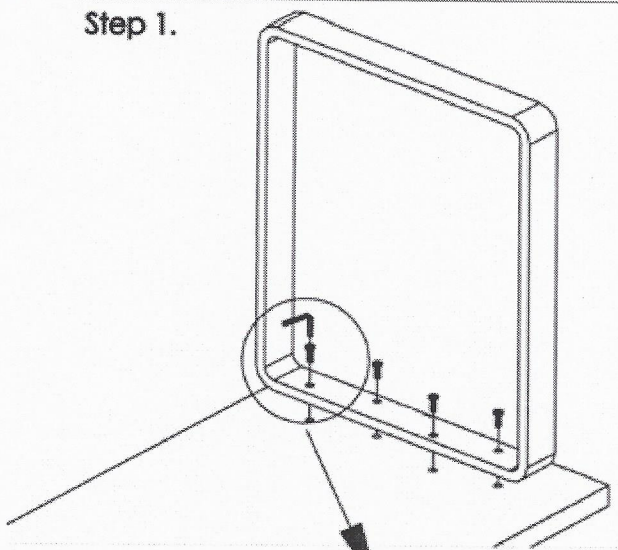
Thank you for purchasing a Carolina Chair & Table Company product. This product has been designed for easy assembly and is constructed for durability. Please take the time to read and follow the assembly instructions carefully. If a part or hardware is missing or you have any difficulties in assembling this product, please contact us Toll Free at 1-800-228-3876

NO.	PART LIST	QTY.	NO.	PART LIST	HARDWARE LIST	QTY.
1		01 Pc	A		Allen Bolt M6x15	08 Pc
2		02 Pc	B		Allen Key 5mm	01 Pc

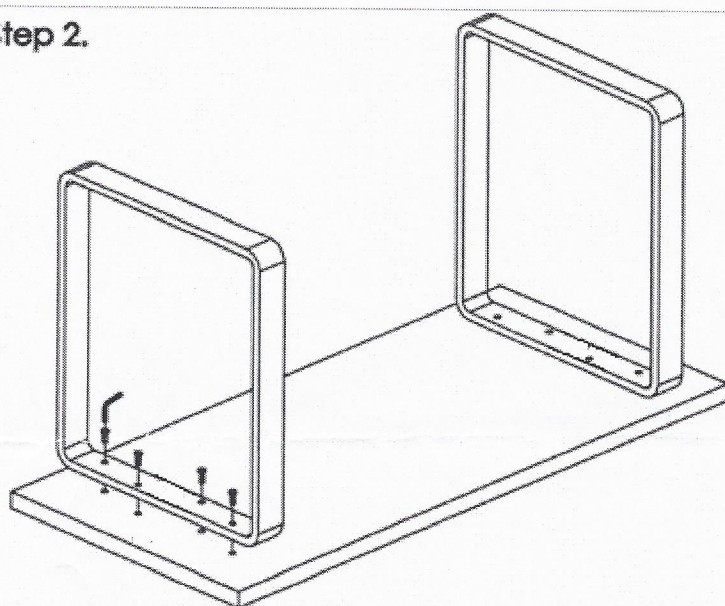
Note : Please make sure that all bolts are tightened 100%
Carolina Forge is a division of Carolina Chair and Table Company

Assembly Instruction

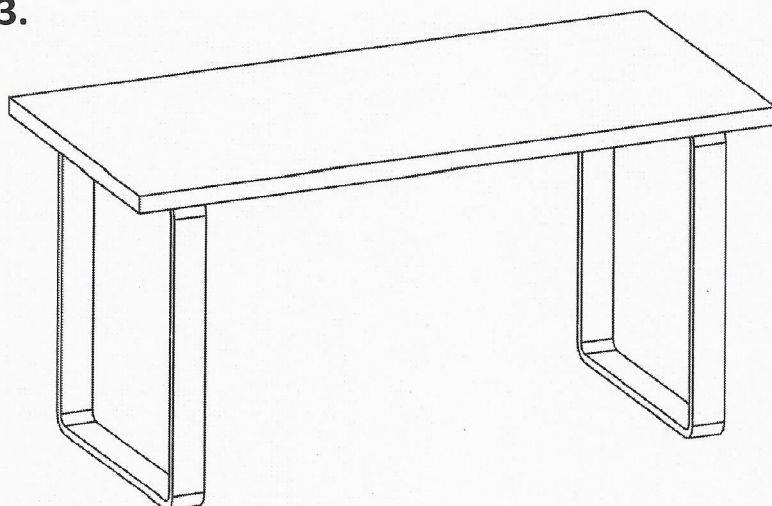
Step 1.



Step 2.



Step 3.



Note : Please make sure that all bolts are tightened 100%
Carolina Forge is a division of Carolina Chair and Table Company