

KOHLER® SH SERIES™

5.5–6.5 HP Engines



Maintenance Information
- Daily/Each Use
- Initial 5 hrs.
- Every 100 hrs./Annually
- Kohler 10W-30 Oil
Recommended
- Daily/Each Use
at www.KohlerEngines.com

KOHLER.
SH Series **6.5** hp
196 cc
KohlerEngines.com
Rated at 3600 rpm per SAE J1940 Gross
SH265 18 113 35

KOHLER®
IN POWER. SINCE 1920.

DESIGNED FOR THE CONSUMER. BUILT FOR THE PRO.

Tough as nails. The hard-working KOHLER® SH Series™ engine is designed for quick, easy maintenance. Heavy-duty features like a cast-iron cylinder liner give consumers the same engine protection the pros need. Larger displacement results in more power. Built to last, so you get more hours out of your equipment.

DURABLE & RELIABLE

- Better fuel efficiency and cleaner emissions with overhead valve design vs. L-head design
- Built to last with heavy-duty crankshaft and cast-iron cylinder liner
- Added protection with Oil Sentry™ automatic low-oil shutdown system

EASY TO USE

- Effortless starts with large indexable recoil starter and dual ball bearings
- Smooth operation from reduced noise and vibration
- Stop less and work more with large fuel tank





EASY TO MAINTAIN

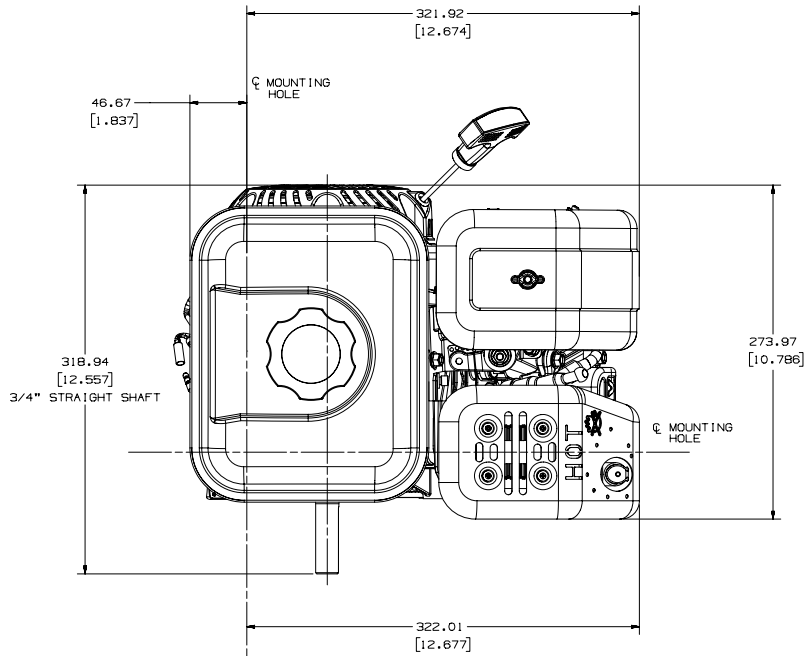
- Easy maintenance and less downtime with dual oil fills and drains
- Simple, easy-access controls and no-tools-required air cleaner

TOTAL SUPPORT

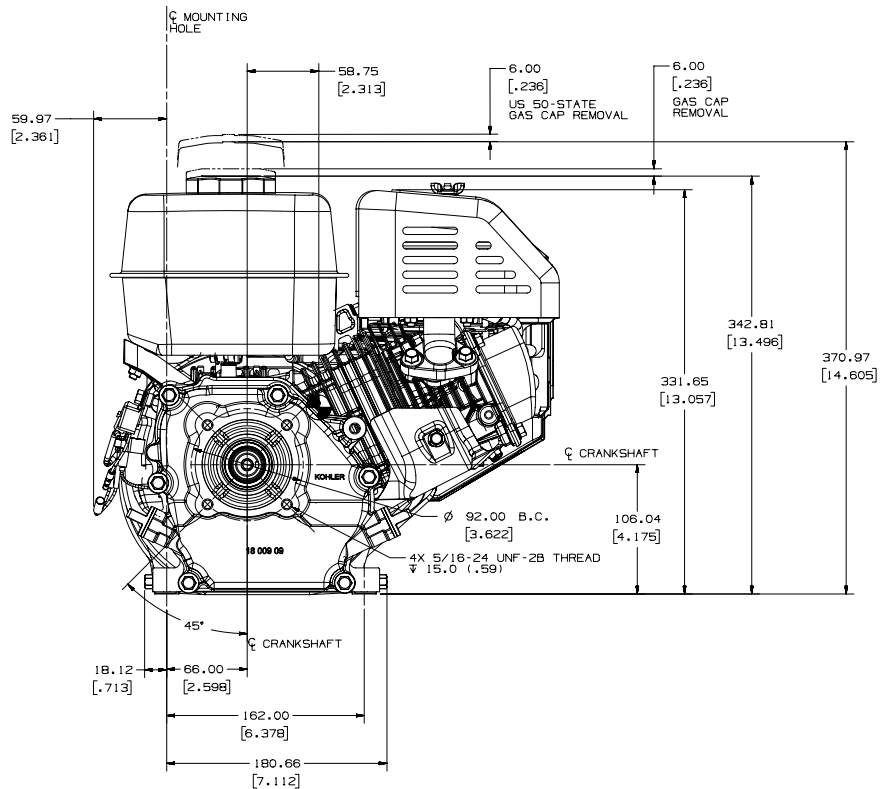
- We stand behind our dealers. And they stand behind our warranty
- Need a replacement part? It's in stock now, not later
- KOHLER genuine parts are built for the long haul to give you peace of mind

KOHLER[®] SH SERIES[™]

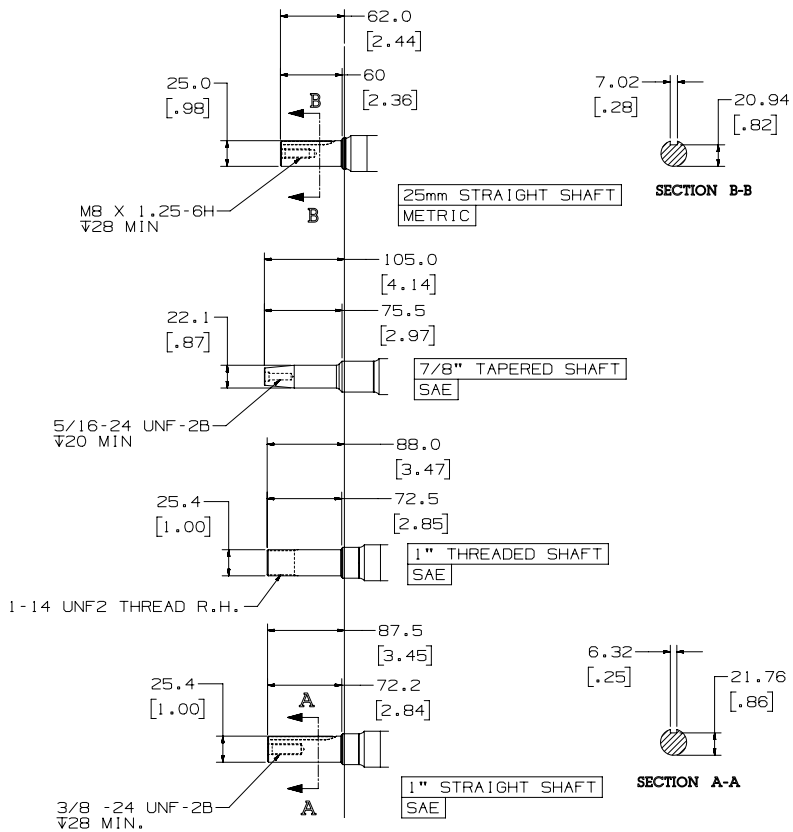
5.5–6.5 HP Engines



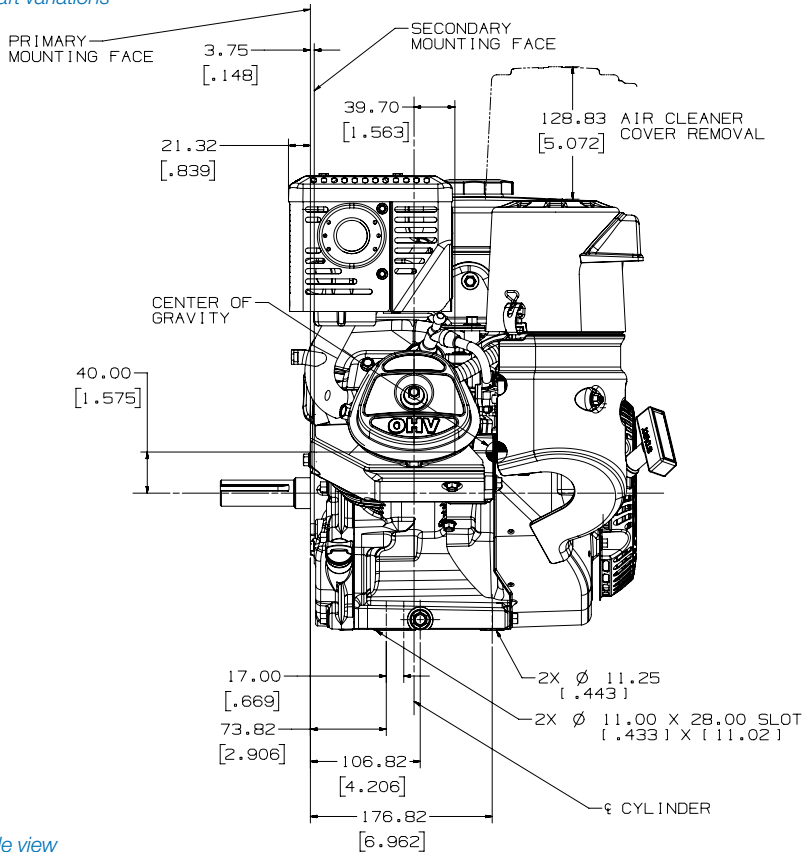
Top view



PTO view

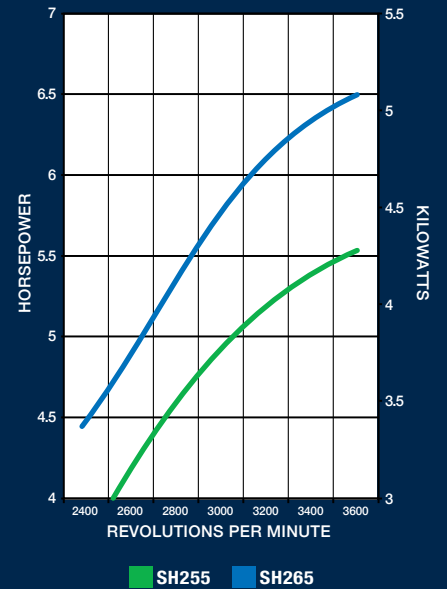


Shaft variations

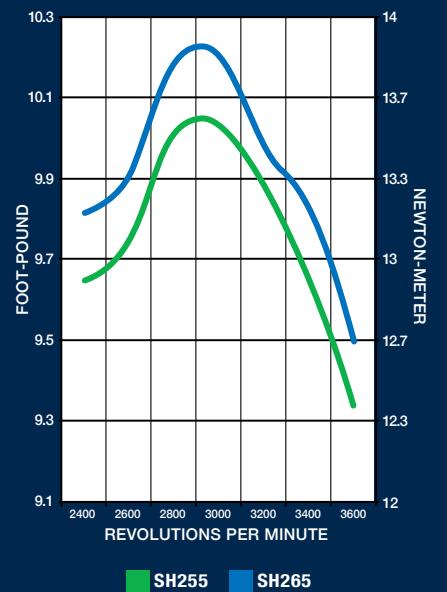


Side view

MAXIMUM POWER



MAXIMUM TORQUE



FEATURES AND OPTIONS



KOHLER® SH SERIES™

ENGINE TYPE		Four-cycle, single-cylinder, slant-cylinder, OHV, air-cooled, gasoline, horizontal shaft, aluminum head and crankcase with cast-iron cylinder liner.	
MODEL		SH255	SH265
GROSS POWER @ 3600 RPM*	Maximum hp (kW)	5.5 (4.2)	6.5 (4.8)
DISPLACEMENT	cu in (cc)	12 (196)	
BORE	in (mm)	2.7 (68)	
STROKE	in (mm)	2.1 (54)	
PEAK TORQUE @ 3000 BPM	ft-lb (Nm)	10.0 (13.6) @ 3000	10.2 (13.8) @ 3000
COMPRESSION RATIO		8.5:1	
DRY WEIGHT (RECOIL START)	lb (kg)	35.3 (16)	
OIL CAPACITY	U.S. qt (L)	0.6 (.6)	
FUEL CAPACITY	U.S. qt (L)	3.4 (3.3)	
LUBRICATION		Splash	
DIMENSIONS† L x W x H	in (mm)	9.9 x 14.5 x 14.6 (253 x 369 x 371)	
CRANKSHAFT HEIGHT	in (mm)	4.2 (106)	

*Horsepower ratings exceed Society of Automotive Engineers Small Engine Test Code J1940. Actual engine horsepower is lower and affected by, but not limited to, accessories (air cleaner, exhaust, charging, cooling, fuel pump, etc.), application, engine speed and ambient operating conditions (temperature, humidity and altitude). For more information, contact Kohler Co. Engine Engineering. Kohler reserves the right to change product specifications, designs and equipment without notice and without incurring obligation.

†Engine measurements based on a base engine without electric start. Length is recoil starter to PTO face.



STANDARD FEATURES

OHV slant cylinder	Quiet muffler with heat shield	Sound-deadening alloy crankcase	Silenced air intake
Cast-iron cylinder liner	CARB Tier 3-compliant	Dual ball bearings	Indexable Easy-Pull™ recoil starter
Large-capacity metal fuel tank	Easy-access throttle, choke and fuel shutoff	Carburetor bowl drain	Remote throttle (built-in)
In-neck fuel debris screen	Automatic compression release	Dual oil fills and drains	2-year consumer limited warranty
Water trap in carburetor	Mechanical governor	Dual-element air cleaner	
Electronic ignition		High-inertia flywheel	

POPULAR FACTORY OPTIONS

12-volt starter	Crankshaft/PTO variations (keyed, tapered, threaded)	EU noise-compliant	EMC/RFI-compliant
Exhaust deflector		Oil Sentry™ automatic low-oil shutdown system	Fuel Secure™ auto fuel shutoff
Spark arrestor	Low-profile air cleaner and muffler (generator)		
3- and 10-amp charging systems			

KOHLER[®]
IN POWER. SINCE 1920.

For more information, contact your KOHLER source of supply.
Or call toll-free in the U.S. and Canada 800-544-2444.

KohlerEngines.com

PRINTED IN U.S.A E-2212-E 10/16 © 2016 KOHLER CO.