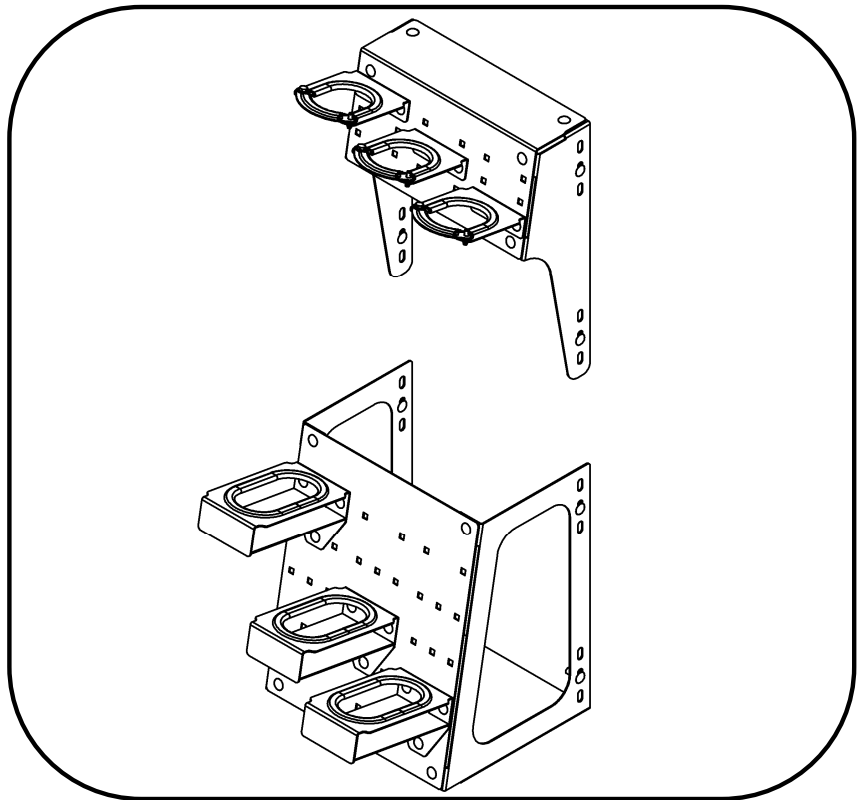


www.ESP.swisherinc.com

OWNER'S MANUAL

SRAC20338 Adjustable Gun Rack

Starting Serial #: L115-001001



EMERGENCY
SECURITY
PREPAREDNESS
SAFETY SHELTER

ACCESSORIES

SWISHER ACQUISITION INC.
1602 CORPORATE DRIVE, WARRENSBURG, MISSOURI 64093
PHONE 660-747-8183 FAX 660-747-8650

Made In The
USA
of US and Global Parts

LIMITED WARRANTY

The manufacturer's warranty to the original consumer purchaser is: This product is free from defects in materials and workmanship for a period of one (1) year from the date of purchase by the original consumer purchaser. We will repair or replace, at our discretion, parts found to be defective due to materials or workmanship. This warranty is subject to the following limitations and exclusions:

- 1) Limitation This warranty applies only to products which have been properly assembled, adjusted, and operated in accordance with the instructions contained within this manual. This warranty does not apply to any product of Swisher that has been subject to alteration, misuse, abuse, improper assembly or installation, shipping damage, or to normal wear of product.
- 2) Exclusions Excluded from this warranty are normal wear, normal adjustments, and normal maintenance.

All transportation charges, damage, or loss incurred during transportation of parts submitted for replacement or repair under this warranty shall be borne by the purchaser. Should you have any questions concerning this warranty, please contact us toll-free at 1-800-222-8183. The model number, serial number, date of purchase, and the name of the authorized Swisher dealer from whom you purchased the product will be needed before any warranty claim can be processed.

THIS WARRANTY DOES NOT APPLY TO ANY INCIDENTAL OR CONSEQUENTIAL DAMAGES AND ANY IMPLIED WARRANTIES ARE LIMITED TO THE SAME TIME PERIODS STATED HEREIN FOR ALL EXPRESSED WARRANTIES. Some states do not allow the limitation of consequential damages or limitations on how long an implied warranty may last, so the above limitations or exclusions may not apply to you. This warranty gives you specific legal rights and you may have other rights, which vary from state-to-state. This is a limited warranty as defined by the Magnuson-Moss Act of 1975.

Safety Precautions

- NEVER allow children to play in or around the Safety Shelter.
- NEVER store flammable materials or fuel in your Safety Shelter.
- Keep a flashlight(s) or other battery operated lights inside the Safety Shelter. Check or replace the batteries in these lights twice per year.
- Do not store any items in a manner that would block any of the Safety Shelter vents.
- We suggest stocking your Safety Shelter with provisions and supplies so that it is ready when needed.
- During a high wind event occupants **MUST** stay at least 3” away from the walls and door and remove all loose items from shelves and walls by placing them on the floor to avoid potential injury from debris impact.
- Make sure stored firearms are not loaded.
- Use a safety device such as a trigger lock or cable lock on stored firearms.
- Keep the Safety Shelter locked while storing firearms.
- Do not stand on the gun rack or use it as a step.
- Do not use the gun rack as a seat.
- Recommended weight capacity 100 lbs.

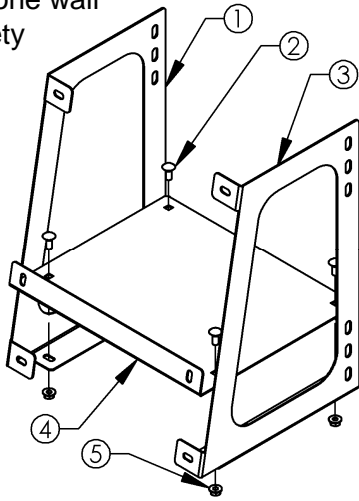
Recommended Tools For Assembly:

- Leather Gloves
- Safety Glasses
- Flashlight
- (1) Torque Wrench Capable of 31 Ft-lbs
- (1) 9/16” Socket
- (1) 1/2” Open End Wrench or Socket Wrench
- (2) 7/16” Open End Wrench or Socket Wrench

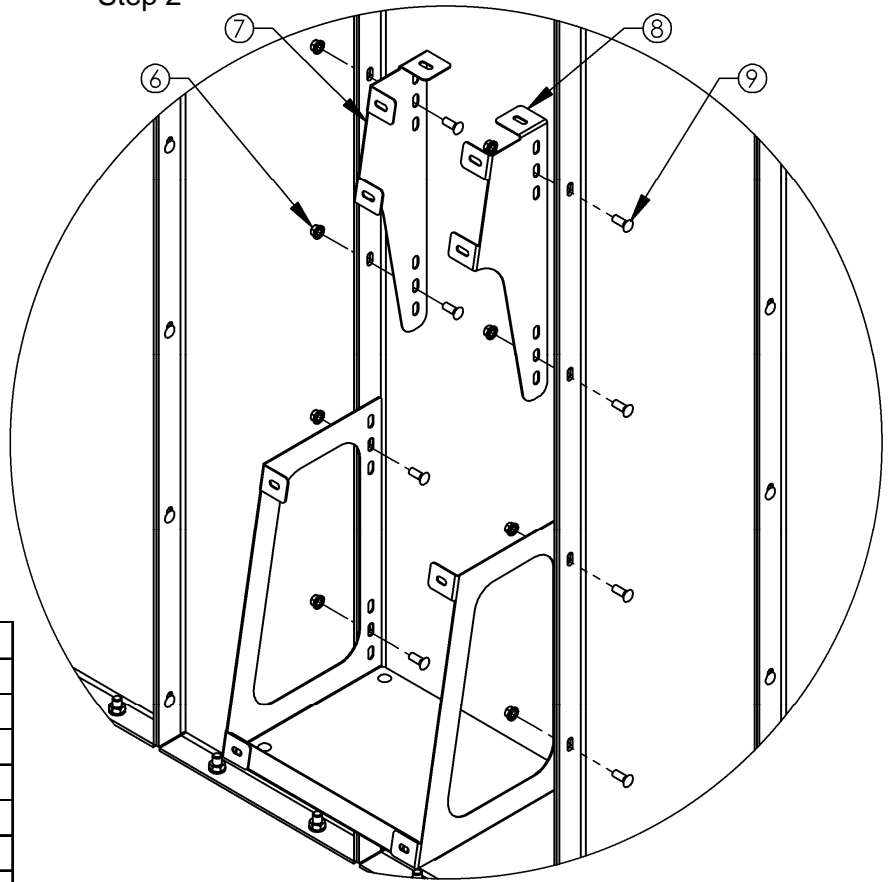
Tip: If you're adding this Accessory to an existing Safety Shelter, remove the appropriate original nuts and bolts from the Wall Panels and replace them with the hardware provided with the Accessory.

This Gun Rack is designed to be installed on one wall panel of ESP Safety Shelters.

Step 1



Step 2



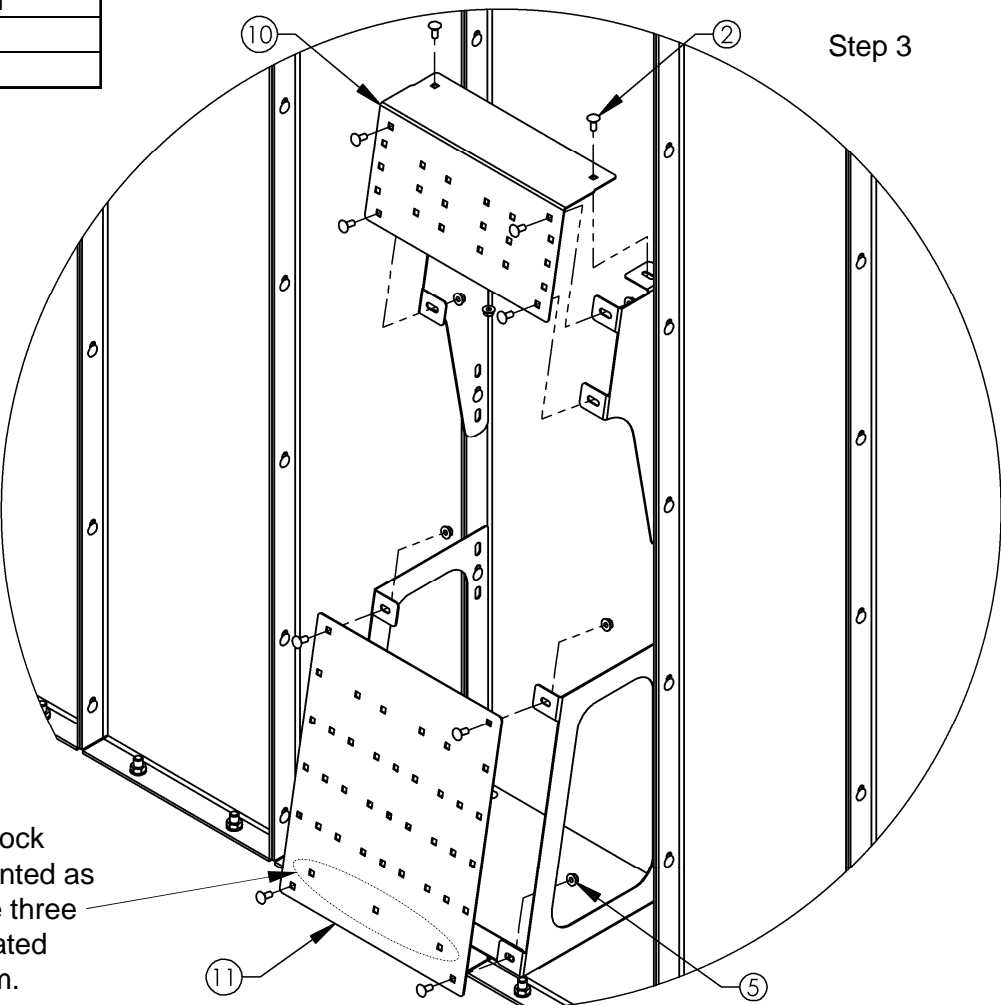
Parts List

Item #	Part #	Description
1	20341*	Side - Adj Rack, Lower Left
2	20236	Bolt - Carriage 5/16-18 X .75
3	20342*	Side - Adj Rack, Lower Right
4	20339*	Base - Adj Rack
5	20237	Nut - Serr Flange 5/16-18
6	19799	Nut - Serr Flange, Hex 3/8-16
7	20349*	Side - Adj Rack, Upper Left
8	20348*	Side - Adj Rack, Upper Right
9	19828	Bolt - Carriage 3/8-16 X 1
10	20350*	Plate - Face, Barrel Rest
11	20343*	Plate - Face, Stock Rest

INSTALLATION INSTRUCTIONS:

- Loosely assemble Base 20339 to Lower Left Side 20341 and Lower Right Side 20342 using 5/16-18 X .75 Bolt 20236 and 5/16-18 Nut 20237.
- Attach Lower Base Assembly (from Step 1), Upper Left Side 20349 and Upper Right Side 20348 to the flanges of one of the wall panels using 3/8-16 Nut 19799 and 3/8-16 X 1 Bolt 19828. Make sure to tighten this hardware to 31 Ft-lbs, then tighten the hardware from Step 1.
- Next, connect Barrel Rest Plate 20350 to the Upper Side Brackets and Stock Rest Plate 20343 to the Lower Side Brackets using 5/16-18 X .75 Bolt 20236 and 5/16-18 Nut 20237. Note the orientation of the Stock Rest Plate.

Step 3



Make sure the Stock Rest Plate is oriented as shown with these three square holes located toward the bottom.

When ordering replacement parts:

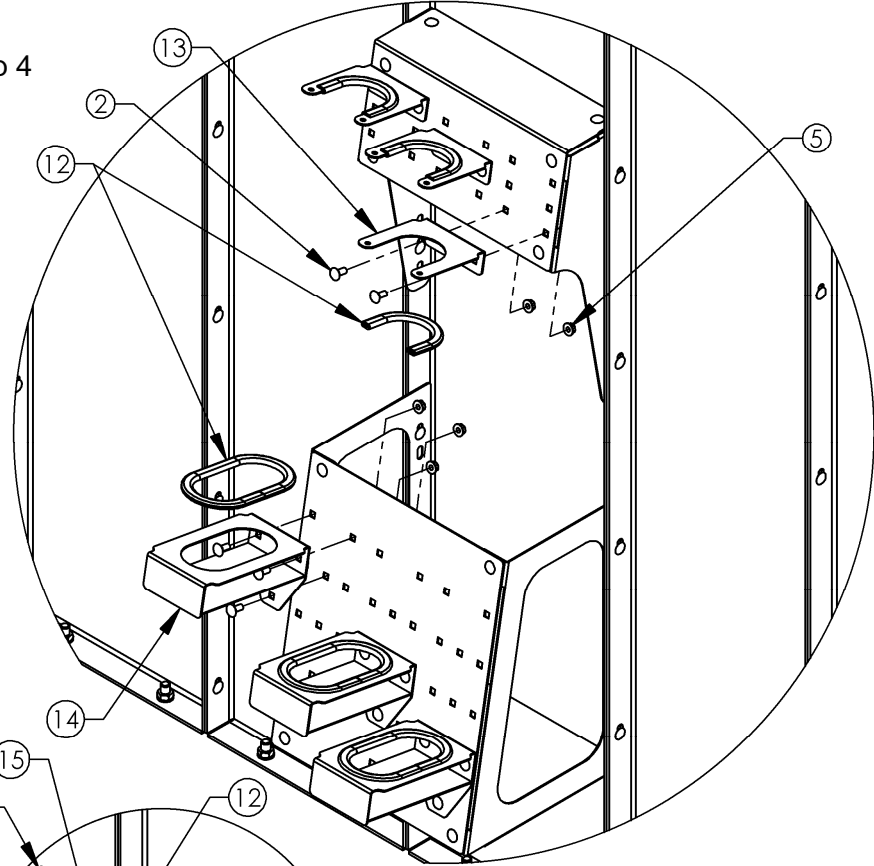
*= USE PAINT CODE: GT=GREY

This Gun Rack is designed to be installed on one wall panel of ESP Safety Shelters.

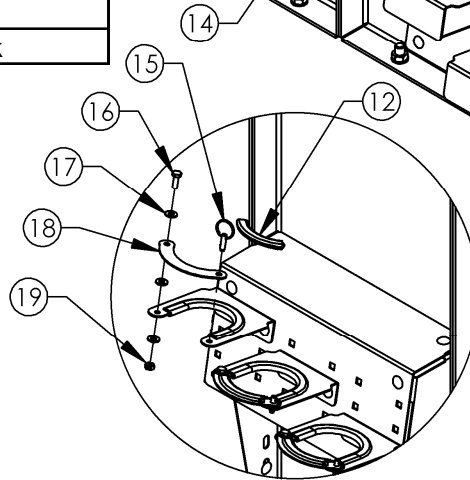
Parts List

Item #	Part #	Description
2	20236	Bolt - Carriage 5/16-18 X .75
5	20237	Nut - Serr Flange 5/16-18
12	20402	Edge Trim, 3.125"
		Edge Trim, 7.625"
		Edge Trim, 16.25"
13	20351*	Bracket - Barrel Rest
14	20346*	Weldment - Stock Rest
15	20295	Pin - Ø.250 X .400
16	20292	Bolt - 1/4-20 X .75
17	20293	Washer - SAE Flat 1/4
18	20291*	Bracket - Gun Retainer
19	20294	Nut - 1/4-20 2-Way Lock

Step 4



Step 5



Edge Trim 20402 is preinstalled at the factory.

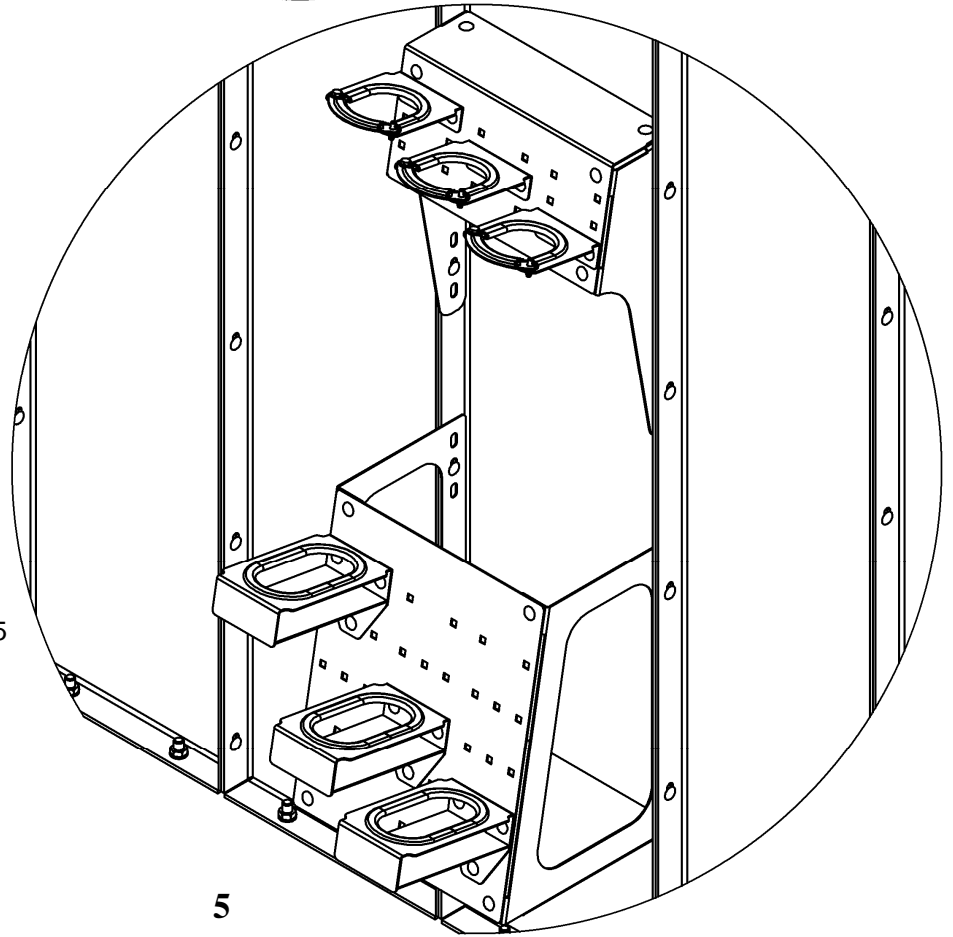
Barrel Rest Bracket 20351 can be installed with the flange facing downward as shown or it can be installed facing upward.

INSTALLATION INSTRUCTIONS:

4. Install Stock Rest 20346 and Barrel Rest 20351 in the desired height positions using 5/16-18 X .75 Bolt 20236 and 5/16-18 Nut 20237.
5. Assemble Retainer Bracket 20291 to each Barrel Rest using 1/4-20 X .75 Bolt 20292, 1/4 Washer 20293 and 1/4-20 Nut 20294 in the order shown. Secure the Retainer Bracket with Ø.25 X .400 Pin 20295.

When ordering replacement parts:

*= USE PAINT CODE: GT=GREY

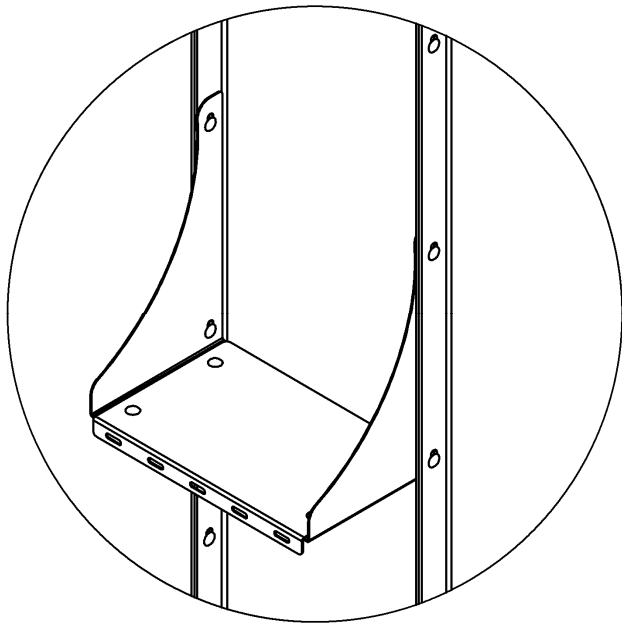


ALSO AVAILABLE

Visit www.ESP.swisherinc.com for details.

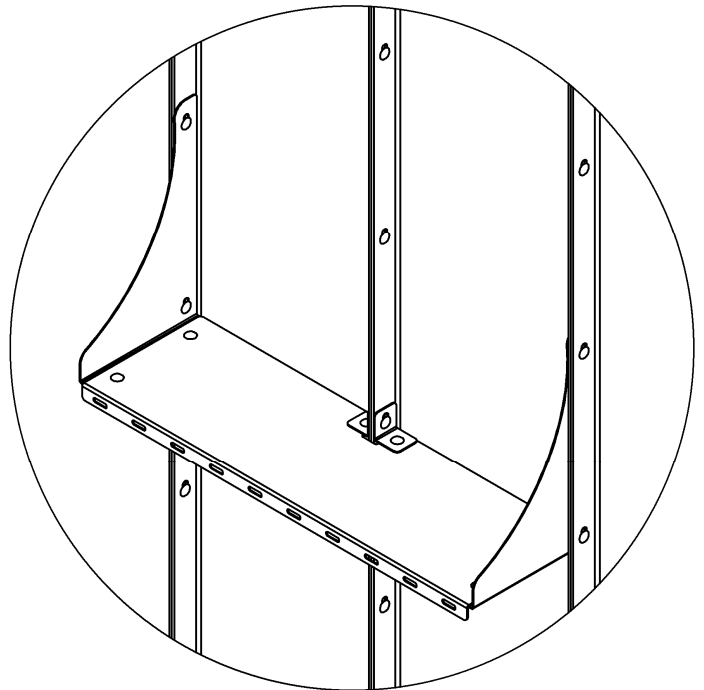
Single Panel Shelf

SRAC20221



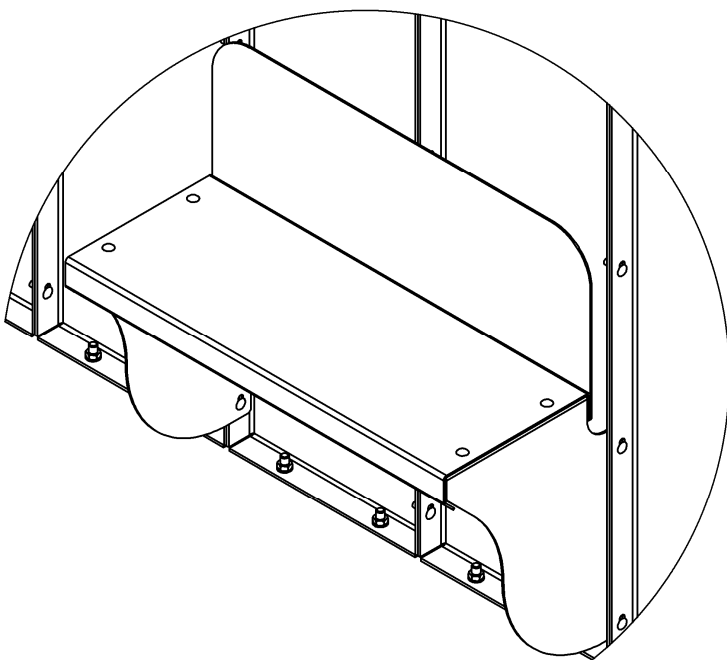
Double Panel Shelf

SRAC20226



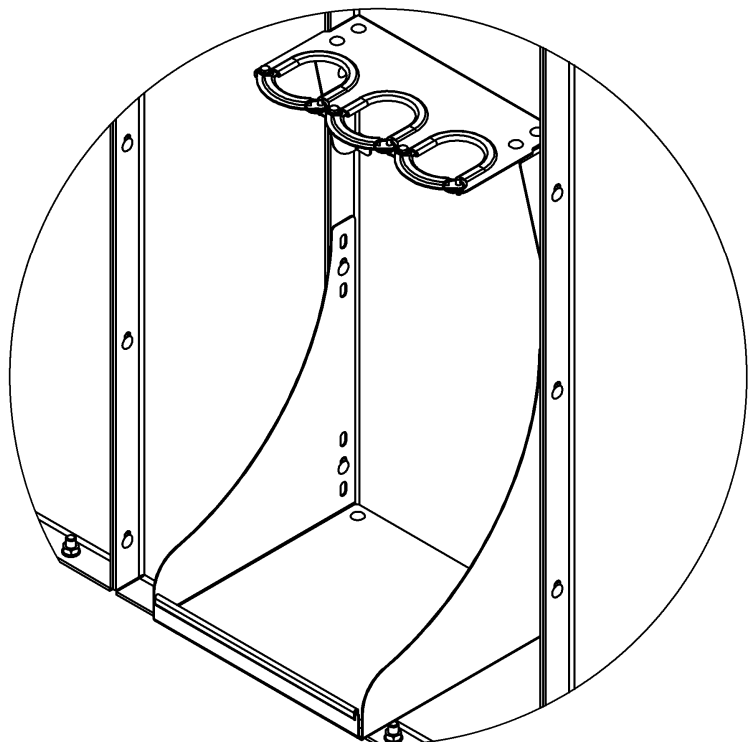
Bench

SRAC20229



Gun Rack

SRAC20282



ALSO AVAILABLE

Visit www.ESP.swisherinc.com for details.

Dorcy Motion Sensor Light

SRAC20389



FLEXiT Light

SRAC20270



Kaito Emergency Radio

SRAC20390



Eva-Dry Dehumidifier, up to 500 cu-ft

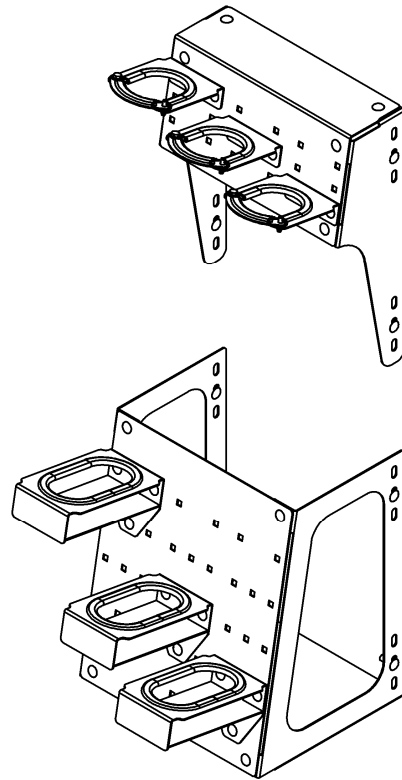
SRAC19840



www.ESP.swisherinc.com

OWNER'S MANUAL

SRAC20338 Adjustable Gun Rack



EMERGENCY **S**ECURITY **P**REPAREDNESS **SAFETY SHELTER** **ACCESSORIES**

WHEN ORDERING PARTS, PLEASE HAVE THE
FOLLOWING INFORMATION AVAILABLE:

- * PRODUCT - _____
- * SERIAL NUMBER - _____
- * MODEL NUMBER - _____
- * PART NUMBER WITH PAINT CODE
- * PART DESCRIPTION

TELEPHONE - 1-800-222-8183
FAX - 1-660-747-8650

SWISHER ACQUISITION INC.
1602 CORPORATE DRIVE
WARRENSBURG, MO 64093