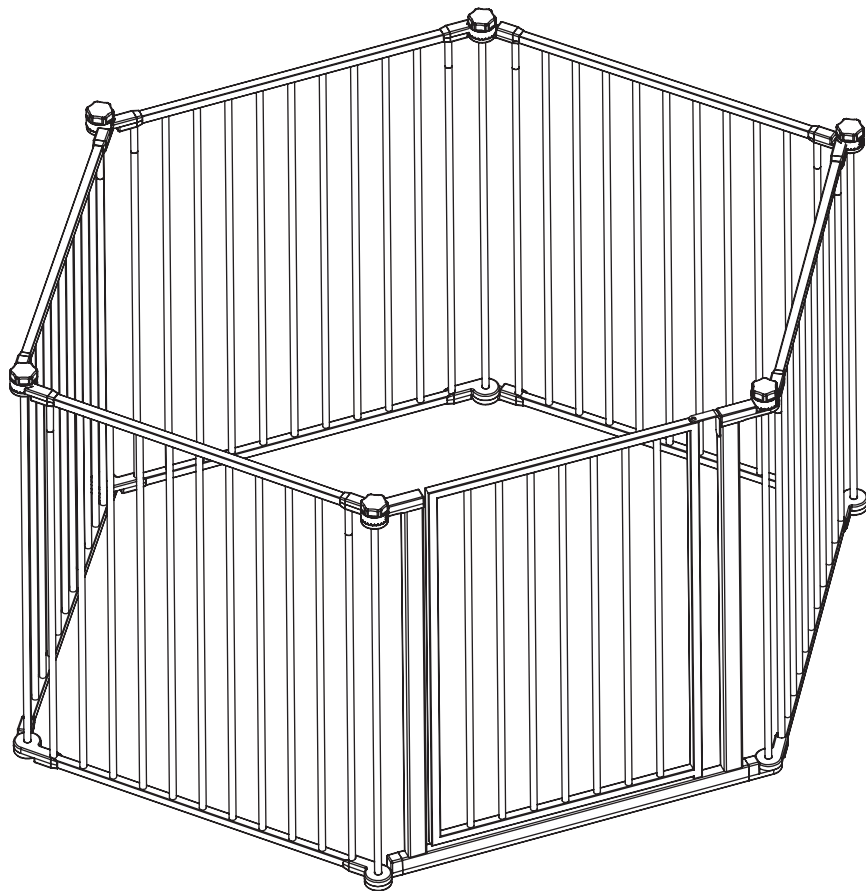


CONVERTIBLE PETYARD



- READ ALL INSTRUCTIONS BEFORE ASSEMBLY AND USE OF PRODUCT.
- KEEP INSTRUCTIONS FOR FUTURE USE.

 www.carlsonpetproducts.com

 Carlson Pet Products, Inc.
3200 Corporate Center Drive, Suite 105 | Burnsville, MN 55306, USA

 952.435.1084

Made in China

Before Using Product

Read and follow all instructions carefully to ensure that your gate and extensions are properly installed. Improper installation could result in the gate becoming unstable or dislodged from the doorway. Please keep these instructions for your reference.

IMPORTANT

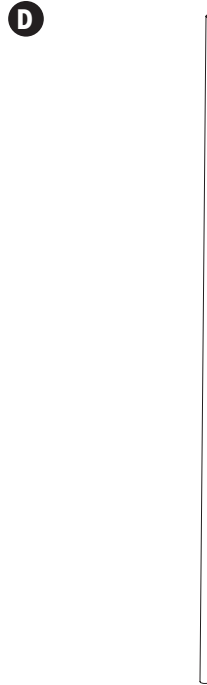
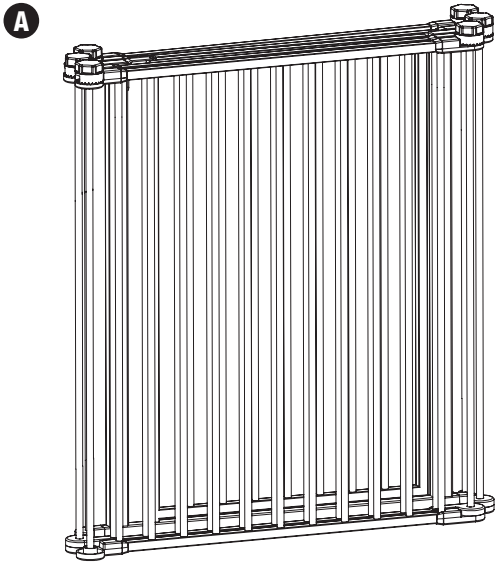
- The four mounting brackets must be used in securing the gate to the wall. These brackets prevent the gate from dislodging from its opening and becoming unstable.
- If hardware mounting to a surface other than drywall or wood, please consult with a professional about installation.



WARNING

- To prevent serious injury or death, securely install gate or enclosure and use according to manufacturer's instructions.
- Check the gate regularly to see if all the hardware and mountings are tightened.
- This is a Pet Gate. NOT intended for use with children.
- Strangulation hazard: pets can force themselves into very small openings; use this gate with pets whose heads will not fit openings in the gate, between the gate and floor, or between the gate and wall.
- Never use with pet able to climb over or dislodge/open the gate or enclosure.
- Never leave pet unattended.
- Use only with the locking/latching mechanism securely engaged.
- To prevent falls, NEVER use at the top of stairs.
- This gate is designed to fit openings maximum 144 inches.

Before Assembly



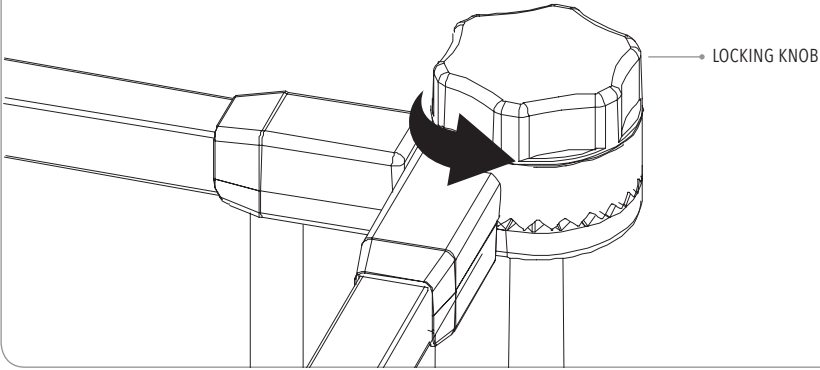
PLEASE CHECK TO MAKE SURE YOU HAVE THE FOLLOWING PARTS:

- A** *Pet Yard Frame (6 Panels)*
- B** *Locking Knob (1)*
- C** *Toothed Disc (1)*
- D** *Metal Pivot Bar (1) (comes assembled to the gate)*
- E** *Wall Mount Bottom Cap - Male (1)*

Assembling Your Gate

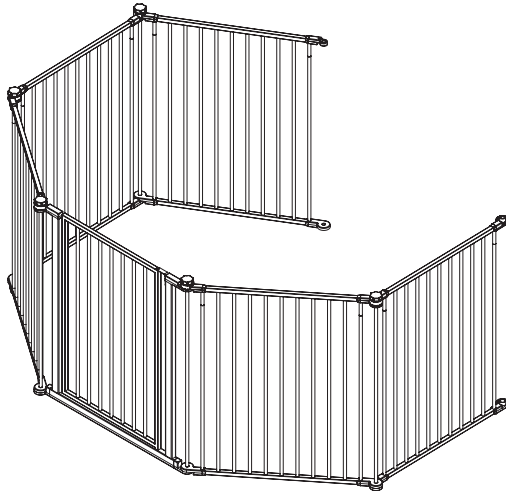
STEP 1

Unfold the *pet yard frame* by turning the *locking knobs* counter clockwise at each pivoting joint. Loosen the knobs enough to allow the individual panels to swing open freely without fully removing the knobs.



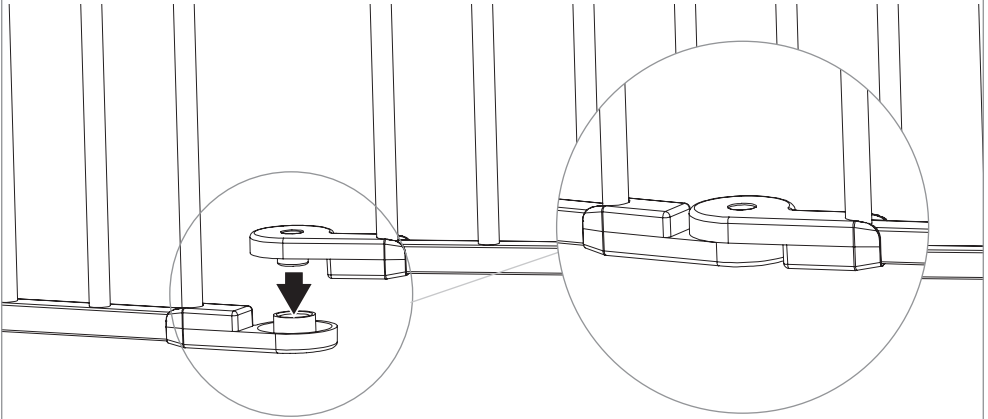
STEP 2

Configure your *pet yard* into your desired shape.



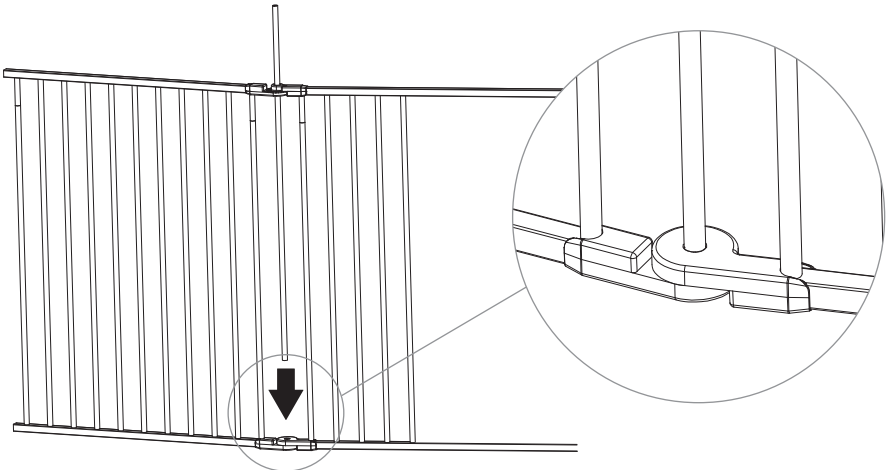
STEP 3

Join the free ends of the *pet yard* together at the plastic joint.



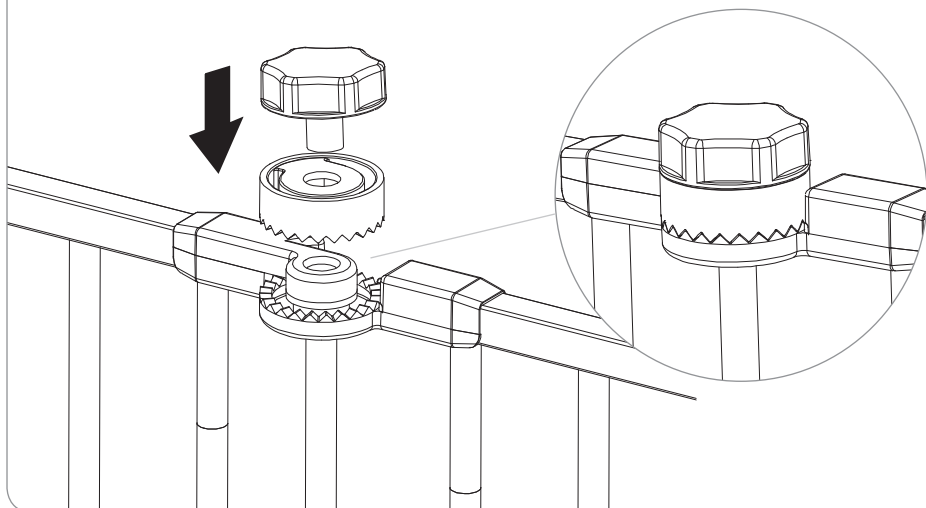
STEP 4

Insert the *metal pivot bar* through the opening created by joining the upper plastic joints. Guide the *metal pivot bar* downward into the circular housing on the lower plastic joint.



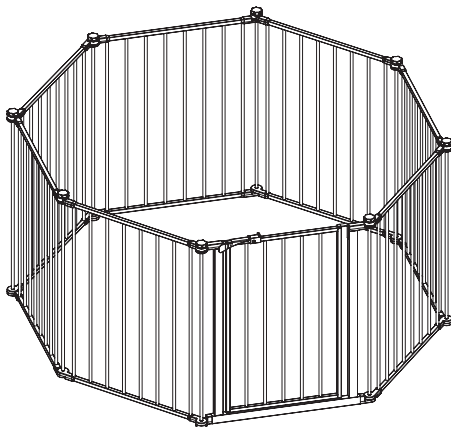
STEP 5

Reassemble the upper locking joint by adding the *toothed disk* and *locking knob*.



STEP 6

Tighten each of the *locking knobs* by turning them clockwise, fixing the *pet yard* into the configuration you have chosen. To position the *pet yard* into a new configuration or shape, simply loosen each of the *locking knobs*, adjust and re-tighten.



NOTE: When adding or removing additional panel units to the configuration, panels must be added or subtracted in sets of two for the freestanding enclosure to function properly. **ADDITIONAL PANELS SOLD SEPARATELY.**

TO FOLD YOUR PET YARD

STEP 1: Loosen all of the *locking knobs* so the panels can move freely and become flexible at the joints.

STEP 2: Remove one of the *locking knobs* from the pet yard and remove one vertical tube.

STEP 3: You will now be able to pull the two plastic joints and the top and bottom of the pet yard apart.

STEP 4: Fold and put away.

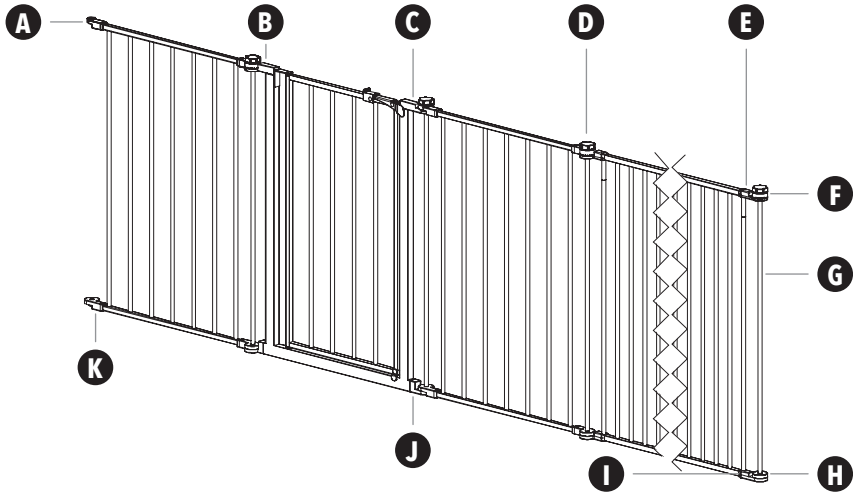
CARE AND MAINTENANCE

Periodically check the gate for signs of damage, wear, or missing components. Do not use if any part is missing, worn or damaged. Check the gate regularly to ensure all the hardware and mountings are tightened. Do not use abrasive cleaners or bleach. Clean by sponging with warm water and a mild detergent.

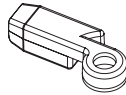
90 DAYS LIMITED WARRANTY

If, during the first 90 days after consumer purchase of the item, under reasonable and non-commercial use and conditions of maintenance, it fails while owned by the original purchaser because of the quality of materials or workmanship of finish and assembly, Carlson Pet Products, Inc. will replace or repair it at Carlson's option. PROOF OF PURCHASE REQUIRED.

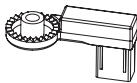
Replacement Parts



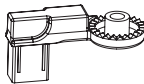
A **Top Hinge**
White = #13011



B **Door Frame Toothed Hinge**
White = #13009



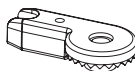
C **Door Frame Receiving Hinge**
White = #13129



D **Locking Knob**
White = #13005



E **Toothed Hinge**
White = #13012



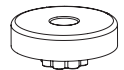
F **Toothed Disk**
White = #13003



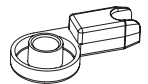
G **27" Metal Pivot Bar**
White = #13008



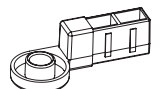
H **Wall Mount Bottom Cap - Male**
White = #13010



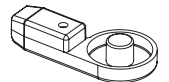
I **Bottom Hinge - Female**
White = #13006



J **Door Frame Bottom Hinge**
White = #13004

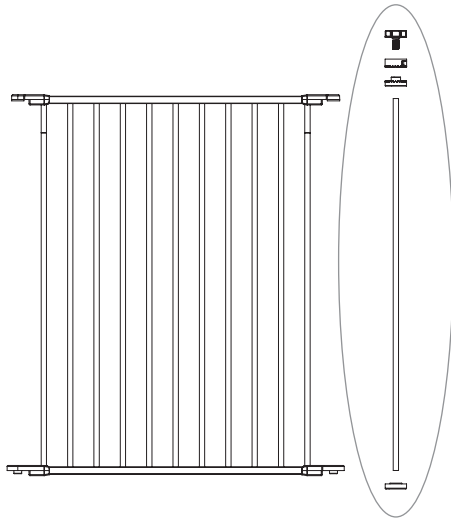
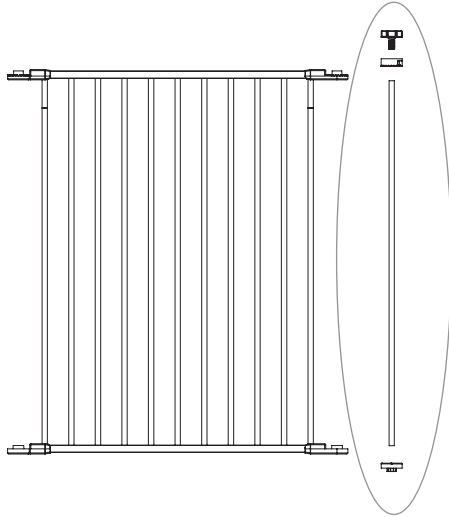


J **Bottom Hinge - Male**
White = #13002



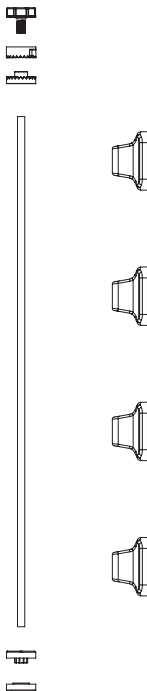
TO EXTEND YOUR PET YARD INTO A LARGER SHAPE, PLEASE PURCHASE:

Pet Yard Extension Kit
MODEL 0028 (INCLUDES 2 PANELS)



TO CONVERT YOUR PET YARD INTO A WALL-MOUNTED BARRIER, PLEASE PURCHASE:

Pet Yard Wall Mounting Kit MODEL 2200H





www.carlsonpetproducts.com



Carlson Pet Products, Inc.
3200 Corporate Center Drive, Suite 105
Burnsville, MN 55306, USA



952.435.1084