

Big Ass Fan 4900

When Size Matters

Big Ass Fan® 4900 is an impressive and economical fan package for workshops, small manufacturing facilities and industrial spaces. The Big Ass Fan 4900 is lightweight and pre-wired for easier and faster installation. Just one 14-ft (4.3-m) Big Ass Fan 4900 provides cooling over the same area as 70 standard 52-in (1.3-m) ceiling fans at a fraction of the operating cost. Easy installation, superb performance and year-round energy savings. Just what you'd expect from Big Ass Fans.



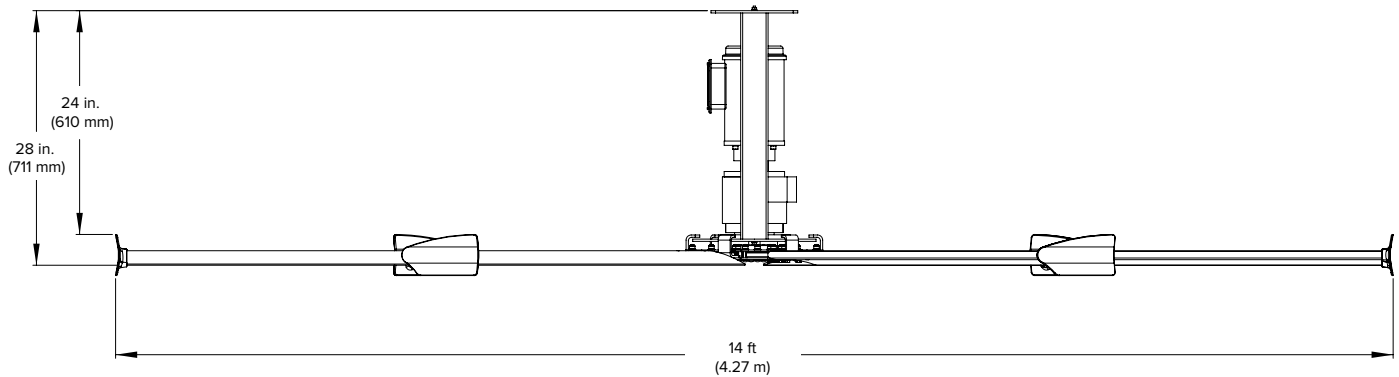
The unique aerodynamic design enhances both energy efficiency and airflow by eliminating vortex formation at the airfoil tips.

Features and benefits

- Patented airfoil system includes six airfoils and cuffed winglets that maximize performance and efficiency
- Industrial-grade motor and gearbox offers efficient, reliable and durable operation
- Weighs less than 145 lb (65.8 kg) allowing for easy positioning and installation
- Factory-wired motor and controller cable with optional power cord plug
- Perfect for spaces up to 70 x 70 ft (21.3 x 21.3 m) and ceilings as low as 14-ft (4.3-m)
- Year-round energy savings, up to 10° cooling effect in hot weather and 1% energy savings per foot of ceiling height in cold weather

Big Ass Fan 4900

TECHNICAL SPECIFICATIONS



Technical Specifications

| | |
|--|---|
| Model number | F-PF61-1401S34 |
| Diameter | 14 ft (4.27 m) |
| Number and type of airfoils | 6 patented Powerfoil® airfoils |
| Airfoil finish | Mill finish aluminum |
| Winglet (standard color) | Powerfoil winglet (safety yellow) |
| Fan weight (as shown) | 145 lb (65.77 kg) |
| Motor | 1.0 hp |
| Maximum speed | 101 RPM |
| Maximum amps | 11 A @ 100–125 V |
| Input power and required breaker | 110–125 VAC, 50/60 Hz, 1 Φ, 20 A |
| Redundant safety features | Airfoil retainers, hub clips, safety cables, grade 8 bolts |
| Controller | Variable speed controller, NEMA 4X |
| Controller connection | 50 ft pre-wired cord from motor and a 10 ft pre-wired cord from controller (VFD) |
| Fire relay | Included; must be connected at time of install |
| Mount (standard) | Angle Iron or I-Beam |
| Mount (optional) | Z-purlins or wooden beam (L-brackets) |
| Minimum airfoil clearances required | 10 ft (3.1 m) above floor, 2 ft (0.6 m) on sides, 5 ft (1.5 m) below ceiling deck |
| Certifications (whole fan) | Intertek/ ETL-certified to UL 507 and CSA C22.2 No. 113 |
| Warranty* | 1 year parts in the US and Canada |

*1 year parts warranty available in the US and Canada; certain exclusions apply. Warranties vary by country. See full warranty for details.

