

275 Gallon Intermediate Bulk Container

Gain the greatest possible volume while using a minimum of space with this easy-to-fill, easy-to-stack, and easy-to-load 275 Gallon UTMS Intermediate Bulk Container.

The bulk tank storage container is the best solution for transporting and storing the widest range of liquids and food grade products. Made with FDA Approved Resin (Food Grade). The bulk storage tanks help you keep liquids safely stored. Kosher Certified.

Technical features:

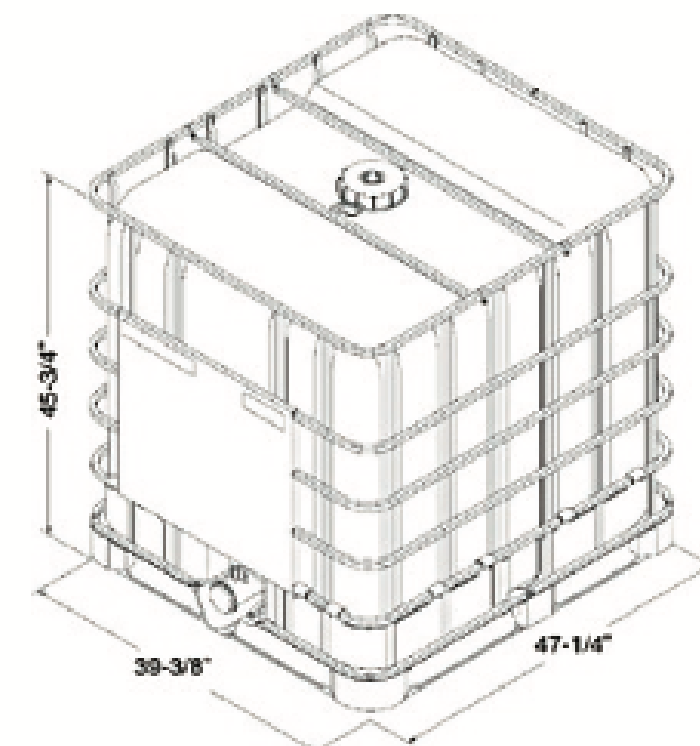
Capacity: 275 gallons (1000 liters)

Height: 45-3/4-in. (1162 mm)

Width: 39-3/8-in. (1000 mm)

Depth: 47-1/4-in. (1200 mm)

Min. Wall Thickness: 0.044-in. (1.1 mm)



275 Gallon Intermediate Bulk Container

Features:

- Rigid, welded galvanized tubular steel cage.
- 275 gallon fill capacity high-molecular weight, high-density polyethylene (HDPE) extrusion blow molded inner container designed for multiple use.
- UN Rating for Packing Group II and III.
- ISO Container Suitable dimensions. Fit 60 units on a 53-foot trailer.

