

**MESA**<sup>™</sup>  
**SAFE COMPANY**

BETTER MESA SAFE THAN SORRY!<sup>™</sup>



**OPERATING MANUAL**  
**MSL-50 ELECTRONIC LOCK INSTRUCTIONS**



# OPERATING MANUAL

## MSL-50 ELECTRONIC LOCK INSTRUCTIONS

CATEGORY	PAGE
QUICK START	2
SAFE OPERATION & PROGRAMMING	3
HOW TO OPEN YOUR SAFE	3
OPENING YOUR SAFE WITH THE EMERGENCY CODE	3
CHANGING THE 1 <sup>ST</sup> USER CODE	3
CHANGING THE 2 <sup>ND</sup> USER CODE	3
CHANGING THE EMERGENCY CODE	4
LOW BATTERY WARNING	4
CHANGING YOUR BATTERIES	4

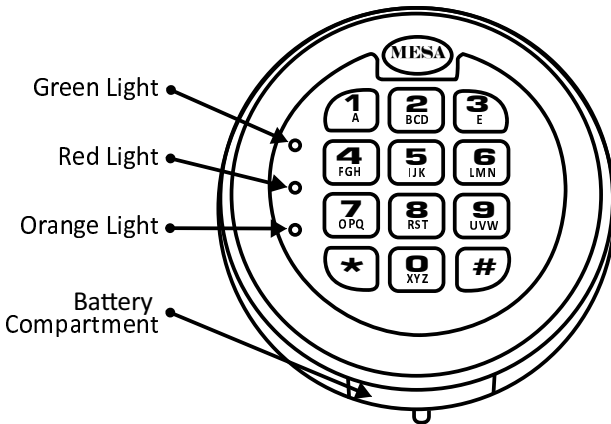
## DEAR VALUED CUSTOMER:

Congratulations on choosing your new Mesa Safe to secure and protect your valuables! You have made an excellent choice in your security measures. MESA SAFE COMPANY has built a solid reputation on integrity and quality craftsmanship. We pride ourselves on delivering the best products in the industry and consistently exceed customer expectations.

🗨 Before using your unit, thoroughly read and understand the Operating Instructions of the unit. This will ensure maximum efficiency and usability.

### 🛑 IMPORTANT : DO NOT RETURN SAFE TO STORE

If you are missing parts, have difficulty programming the lock or opening your safe, or any additional questions regarding the use and care of your safe, **DO NOT RETURN** your safe to the store. Please contact MESA SAFE COMPANY **Technical Support** : **800.490.5624** [Monday thru Friday 7AM - 4PM/PST] for assistance.



## QUICK START

- ① Install the 9-V Battery that is included with your safe
- ② Enter **\*\*\*\*\***
- ③ Turn handle before the **green** light turns off
- ④ To lock your safe, close door & turn handle back to the locked position

⚠ **IMPORTANT** : Always make sure your safe is locked before walking away!

- ▶ If your code is correct a **green** light will turn on for approximately **5 seconds** & you will also hear a '**Click**'
- ▶ If the code is incorrect, a **red** light will turn on, following with 5 '**Beeps**'

🔩 **NOTE** : Be sure to press firmly & **ONLY** use your finger tips to press the keys on the keypad. **DO NOT USE** your finger nail, a pen, etc. This will damage the keys.

## SAFE OPERATION & PROGRAMMING

1<sup>st</sup> USER CODE is factory set to : \*\*\*

2<sup>nd</sup> USER CODE is factory set to : \*\*\*

EMERGENCY CODE is factory set to : \*\*\*\*\*

⚠ **IMPORTANT** : Because the codes are factory set, we highly recommended changing the codes to your own unique codes immediately!

## HOW TO OPEN YOUR SAFE

- ① Input : *Code* - # [light stays green for 5 seconds]
- ② Turn the handle to the unlocked position before the *green* light disappears
  - ▶ *Example* : \*\*\*\*\*
  - ▶ Invalid Code: 5 'Beeps'

## OPENING YOUR SAFE WITH THE EMERGENCY CODE

- ① Input : *Emergency Code* - #
- ② Wait 30 seconds, the *green* light will appear & stay on for 5 seconds  
[Do NOT make any entries during the 30 second wait period]
- ③ Turn the handle to the unlocked position before the *green* light disappears

### Wrong Try Penalty

If 3 **wrong codes** are entered consecutively, the keypad will **shut down** for a period of 15 minutes. During this **shut down** period, the keypad will not accept any codes.

## CHANGING THE 1ST USER CODE [Code length: 1-8 digit code]

⚡ **NOTE** : Test the new codes several times before closing the door.

- ① Located the red button on the inside hinge side edge of the door
- ② Press the red button [Lock will 'Beep' 2 times with the *yellow* light on]
- ② Input : Your *New Code* - \* [lock will 'Beep' 2 times]
  - ▶ Unsuccessful Code Change : 5 'Beeps' [the old code is still valid; repeat steps 1 - 3]

## CHANGING THE 2ND USER CODE [Code length: 1-8 digit code]

⚡ **NOTE** : Test the new codes several times before closing the door.

- ① Located the red button on the inside hinge side edge of the door
- ② Input : 0 - 0 on the keypad & press the red button  
[Lock will 'Beep' 2 times with the *yellow* light on]
- ② Input : Your *New Code* - \* [lock will 'Beep' 2 times]
  - ▶ Unsuccessful Code Change : 5 'Beeps' [the old code is still valid; repeat steps 1 - 3]

## CHANGING THE EMERGENCY CODE [Code length: 8 digit code]

⚡ **NOTE** : Test the new codes several times before closing the door.

❶ Located the red button on the inside hinge side edge of the door

❷ Input : **0 - 1 - 0** on the keypad & press the red button  
[Lock will '**Beep**' 2 times with the **yellow** light on]

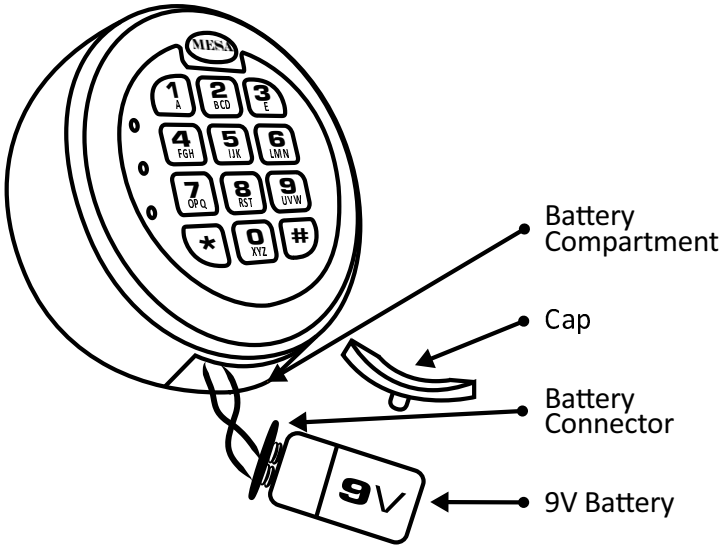
❷ Input : Your **New Code** - \* [lock will '**Beep**' 2 times]

▶ Unsuccessful Code Change : 5 '**Beeps**' [the old code is still valid; repeat steps 1 - 3]

## LOW BATTERY WARNING

▶ **Red** light appears when you open the safe along with the **green** light

▶ Enter your code & get a valid response but the lock does not respond



## CHANGING YOUR BATTERIES

❶ Locate the battery cover on the bottom edge of the keypad & remove the cover by pulling on the tab

❷ Carefully & gently remove the 9-V battery from the compartment

⚠ **CAUTION** : Hold onto battery connector to avoid pulling wires out of housing.

❸ Carefully re-insert the new 9V battery, do not force the battery into the compartment

❹ The lock will retain all current codes & settings





MESASAFE.COM . 800.490.5624  
337 W. FREEDOM AVE. ORANGE, CA 92865