



SKU: 1179768, 1179769, 1179770

PRAIRIE COOP

(115 in. L x 55.9 in. H x 53.1 in. W)



**Distributed by:
TRACTOR SUPPLY COMPANY
5401 VIRGINIA WAY,
BRENTWOOD, TN 37027
For customer support, call: 1-888-376-9601
www.TractorSupply.com
MADE IN CHINA**

CARE INSTRUCTIONS

SAFETY INFORMATION:

▲ DANGER: Please keep children out of assembly area during assembly.

▲ WARNING: This product is designed exclusively for chickens. Not intended for children.

BEFORE YOU BEGIN:

Read instruction prior to assembly. This product contains parts that can be damaged if incorrectly assembled. Please follow instructions. For steps where parts are placed upside down, place parts on a smooth surface to avoid scratching finish. Locate a flat level surface area to assemble and place coop for best results.

PRE-ASSEMBLY:

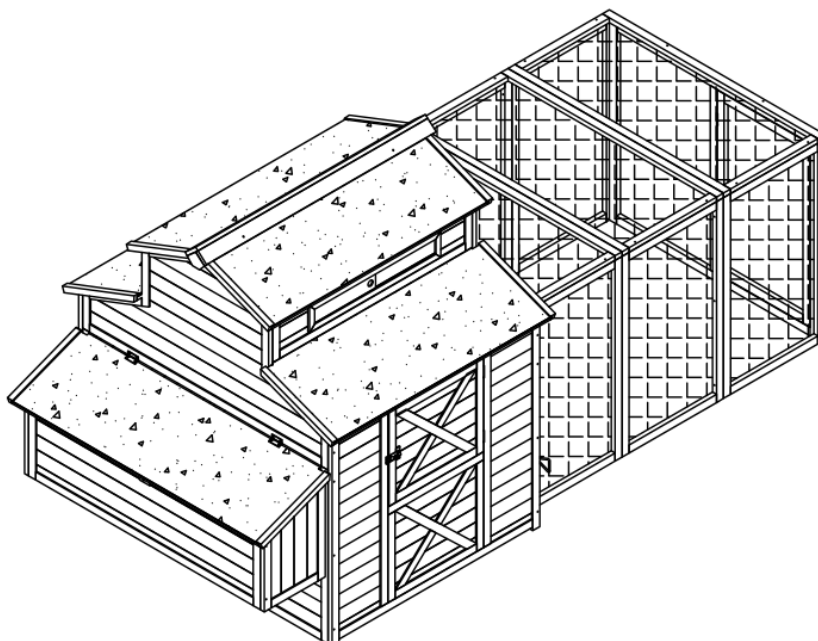
TOOLS REQUIRED (not included):

- *Power Gun with Phillips Head Bit*
- *Adjustable Wrench*
- *Ruler*



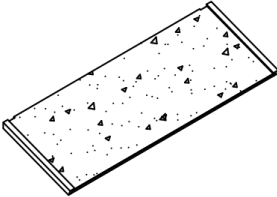
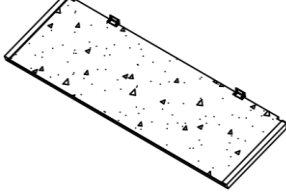
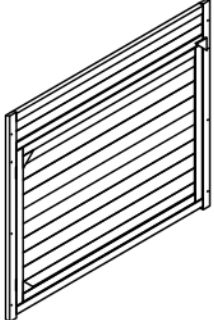
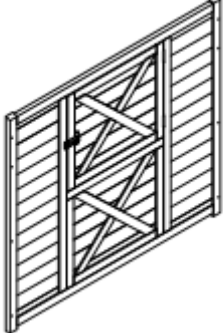


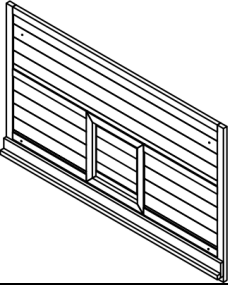
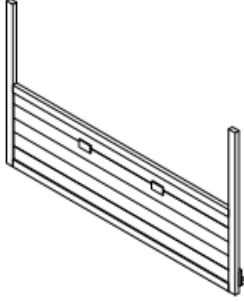
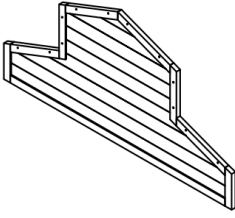
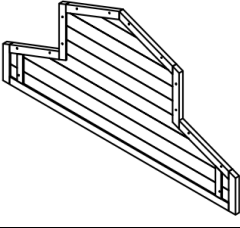
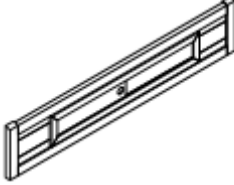
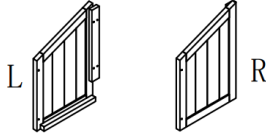
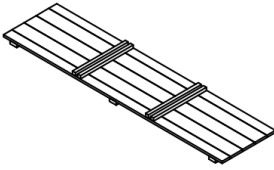
Two people are recommended to assemble this product.

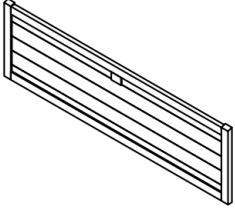
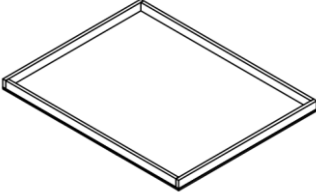
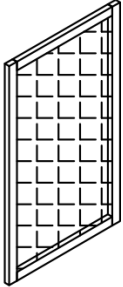
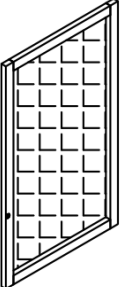
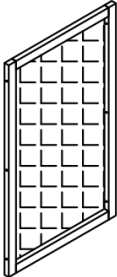
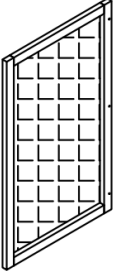
PRODUCT OVERALL VIEW

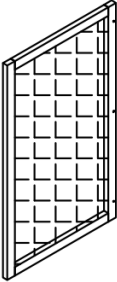
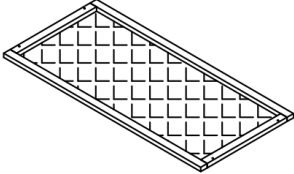
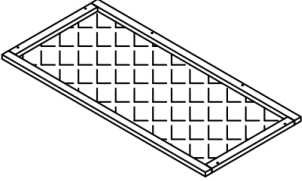
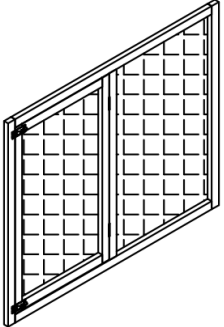
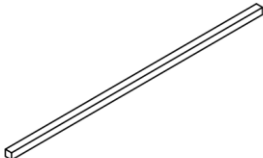
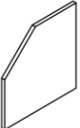







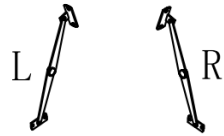

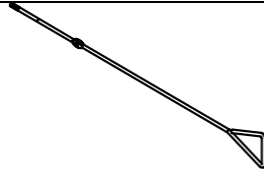
PARTS LIST

Part	Image	Description	Quantity
1		Roof cap	1pc
2		Top roof panel	2pcs
3		Lower roof panel	2pcs
4		Nesting roof	1pc
5		Back coop panel	1pc
6		Front coop panel	1pc

7		Right bottom panel	1pc
8		Left bottom panel	1pc
9		Left top side panel	1pc
10		Right top side panel	1pc
11		Top front and back panel	2pcs
12		Right & left nesting panels	2pcs
13		Nesting floor	1pc

14		Back nesting panel	1pc
15		Drawer	1pc
16		Run side panel 1	1pc
17		Run side panel 2	1pc
18		Run side panel 3	2pcs
19		Run side panel 4	1pc

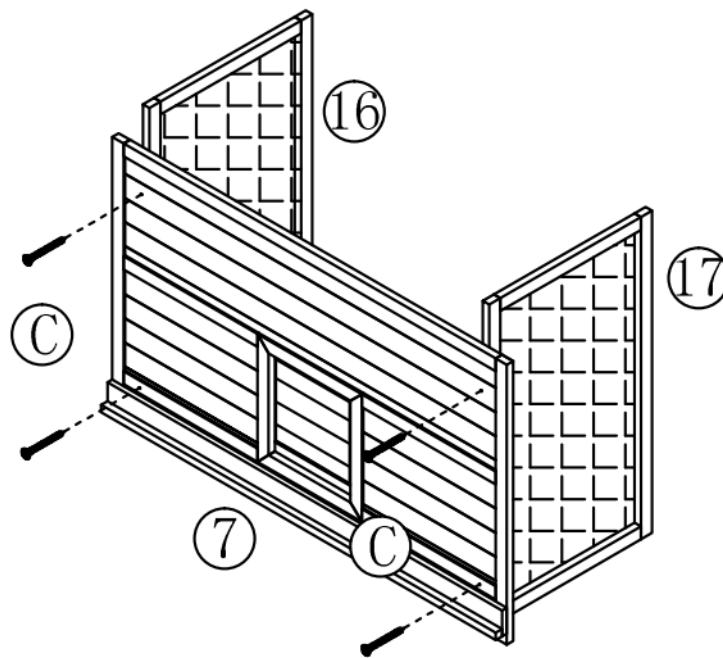
20		Run side panel 5	1pc
21		Run left cover panel	2pcs
22		Run right cover panel	1pc
23		Right run panel	1pc
24		Roosting bar	2pcs
25		Nesting box divider	2pcs
A		Screws 3.5*60mm	12+1pcs
B		Screws 3.5*40mm	48+1pcs

C		Screws 3.5*35mm	26+1pcs
D		Screws 3*30 mm	4+1pcs
E		Screws 3*16 mm	18+1pcs
F		Support arm	1 pair
G		Latch	1pc
H		Door pull lever	1pc

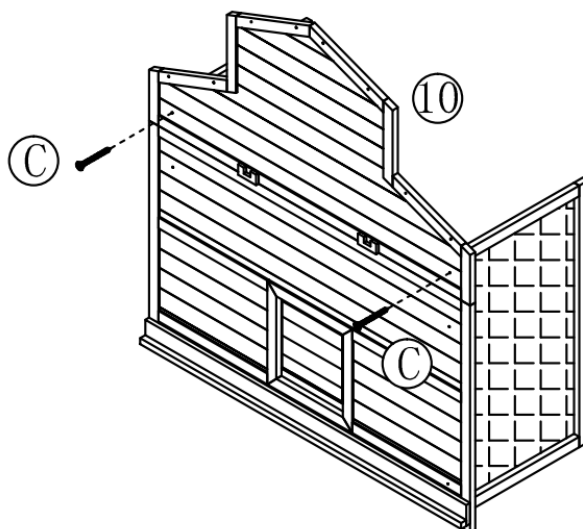
CAUTION: If using a cordless power drill / screwdriver, turn torque setting down to a minimum level to start so that screws are not stripped. Adjust torque up slightly if needed to fully tighten screws.

ASSEMBLY INSTRUCTION

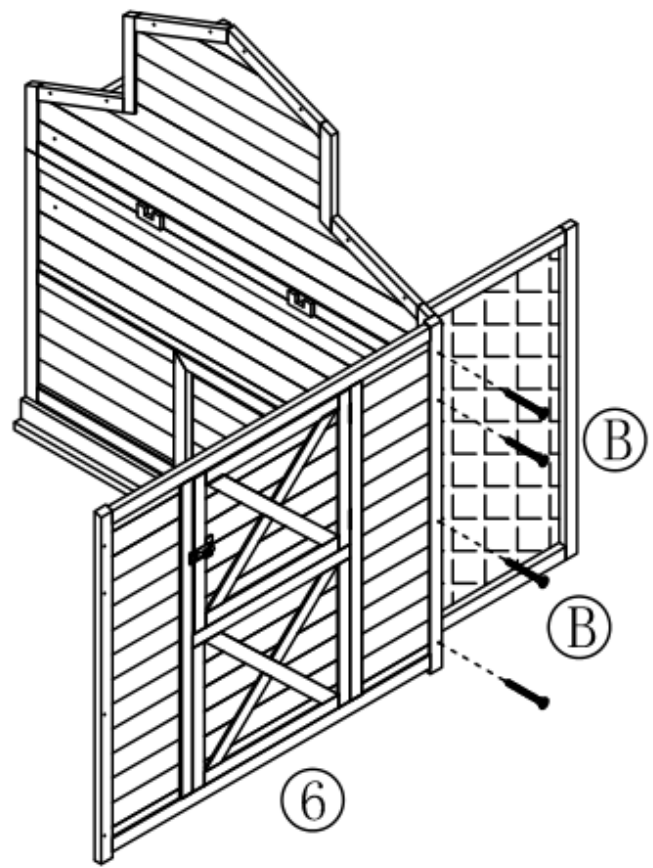
Step 1: Attach the right bottom panel (7) to the run side panel (16) (17) using screws (C)*4pcs.



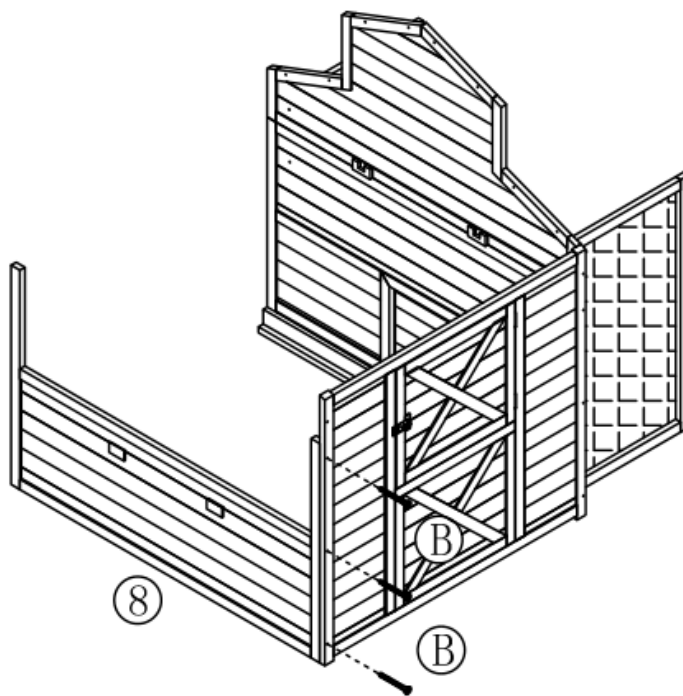
Step 2: Attach the right top side panel (10) using screws (C)*2pcs as shown.



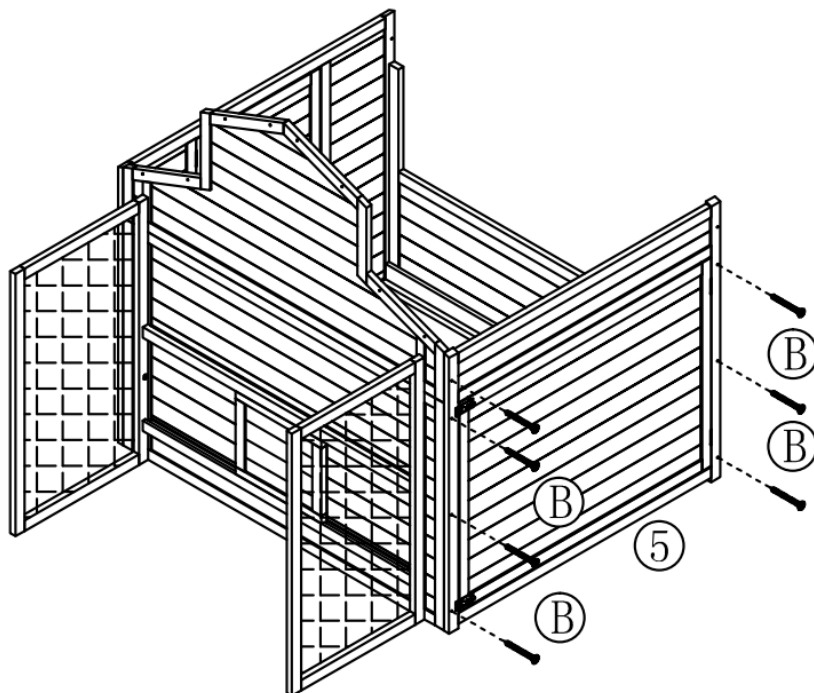
Step 3: Attach the front coop panel (6) using screws (B)*4pcs as shown.



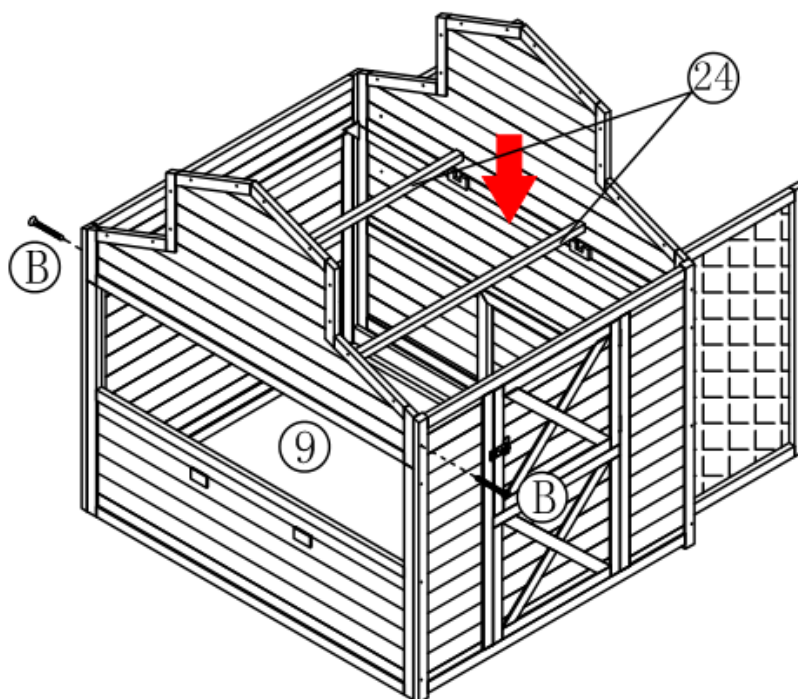
Step 4: Attach left bottom panel (8) to the front panel using screws (B)*3pcs as shown.



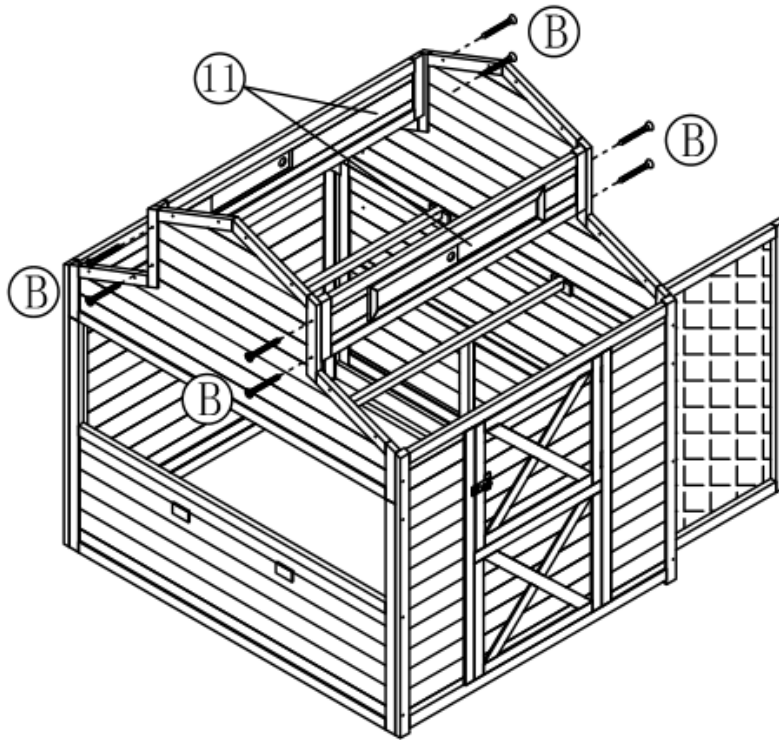
Step 5: Attach the back coop panel (5) using screws (B) *7pcs as shown.



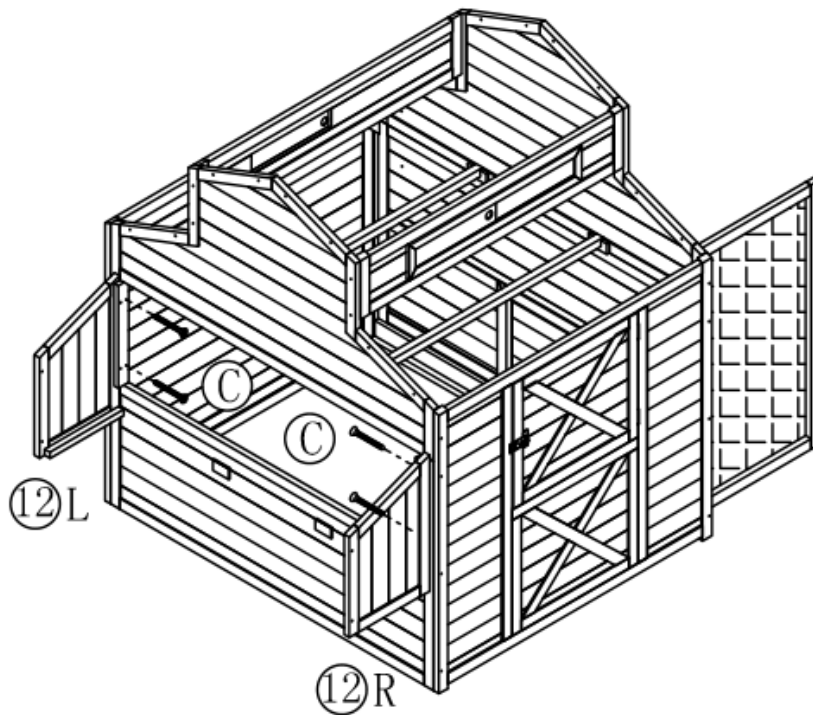
Step 6: Attach the left top side panel (9) using screws (B)*2pcs as shown first, and then install the roosting bar (24) in the coop as seen in the picture below.



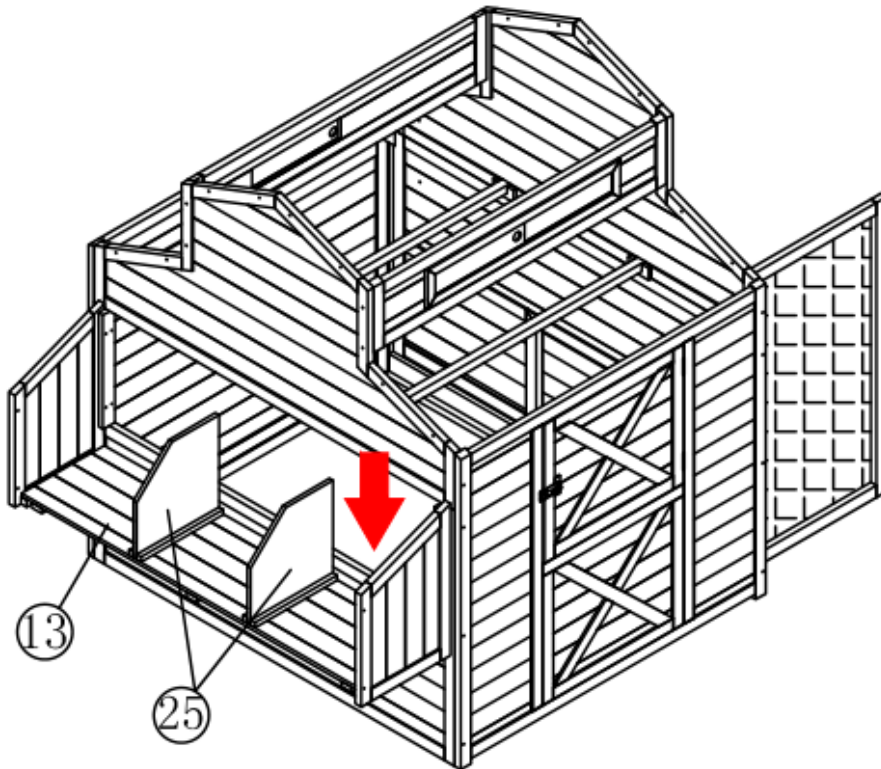
Step 7: Attach the top front and back panels (11) to the left and right top side panels using screws (B)*8pcs as shown.



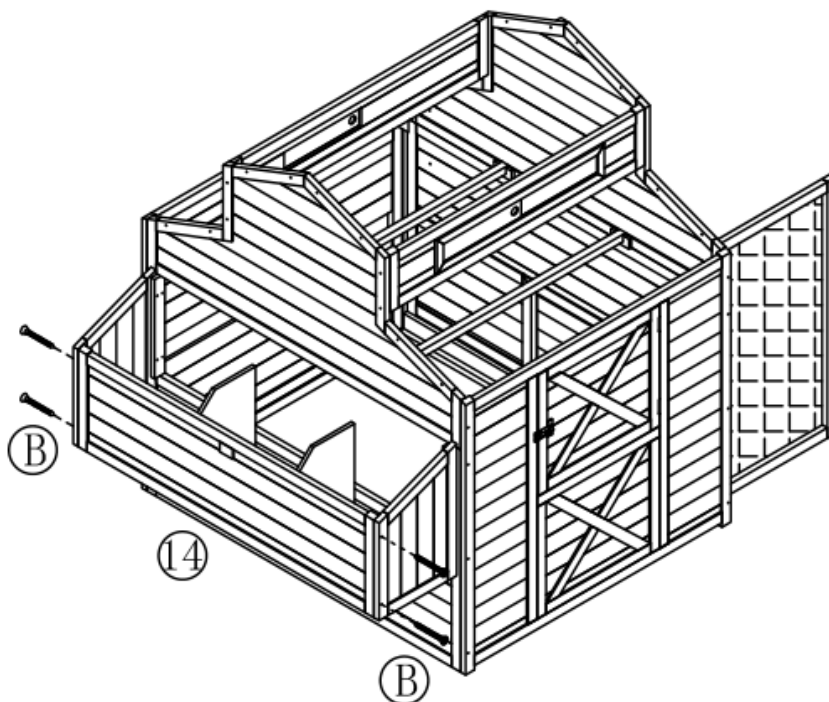
Step 8: Attach the right and left nesting panels (12) using screws (C)*4pcs as shown.



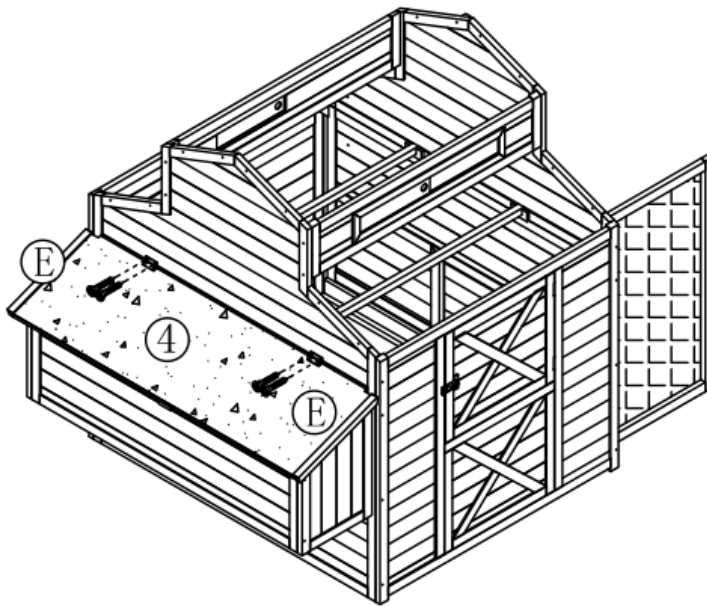
Step 9: Place the nesting floor (13) inside the nesting area first, and then place the nesting box divider (25) as shown.



Step 10: Attach the back nesting panel (14) to the nesting panels using screws (B)*4pcs as shown.

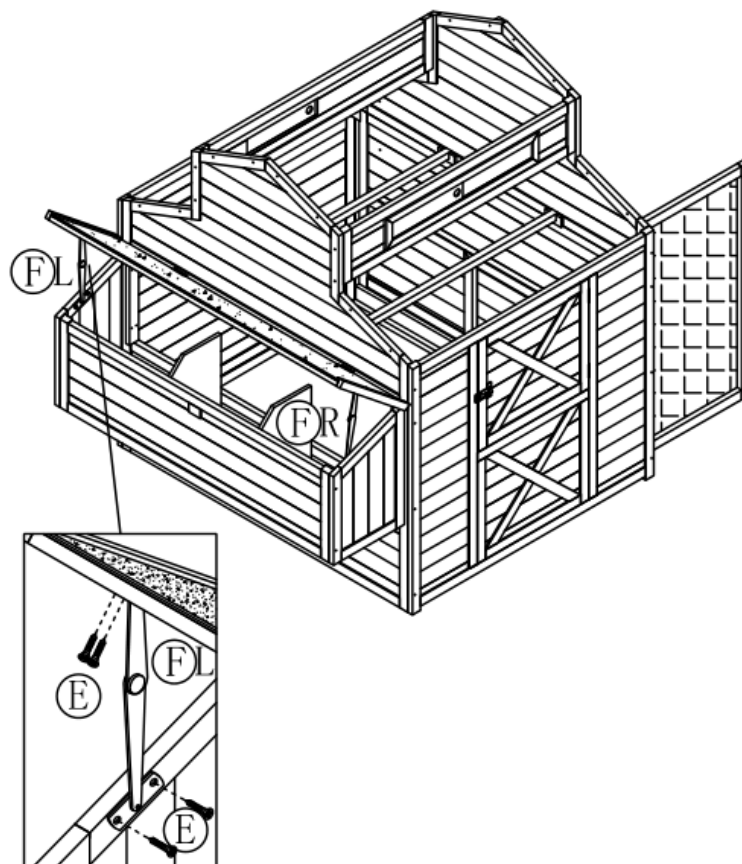


Step 11: Attach the nesting roof (4) to panel using screws (E)*4pcs as shown.

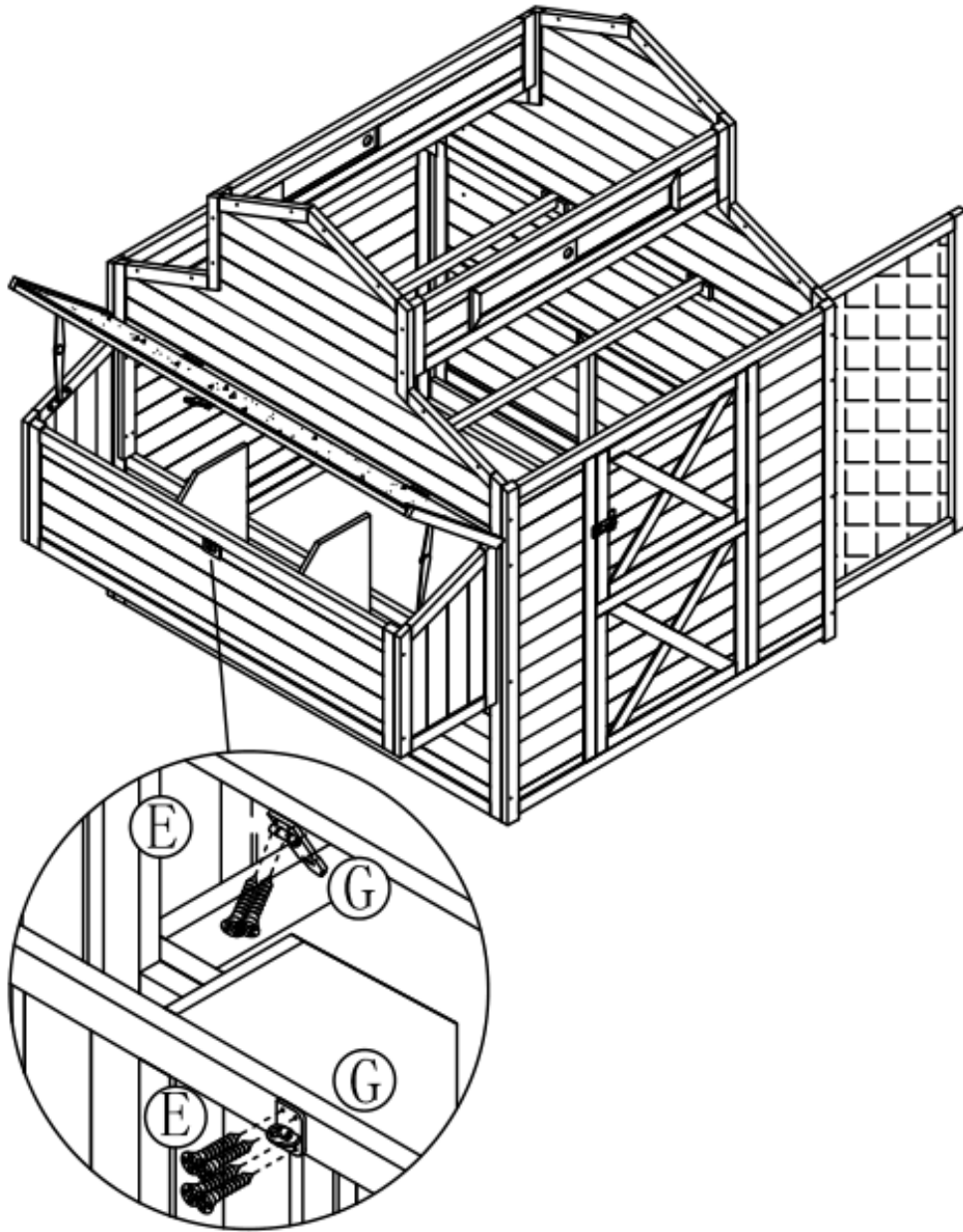


Step 12: Open the nesting roof and attach the support arms (F) to the nesting roof panels using screws (E)*8pcs.

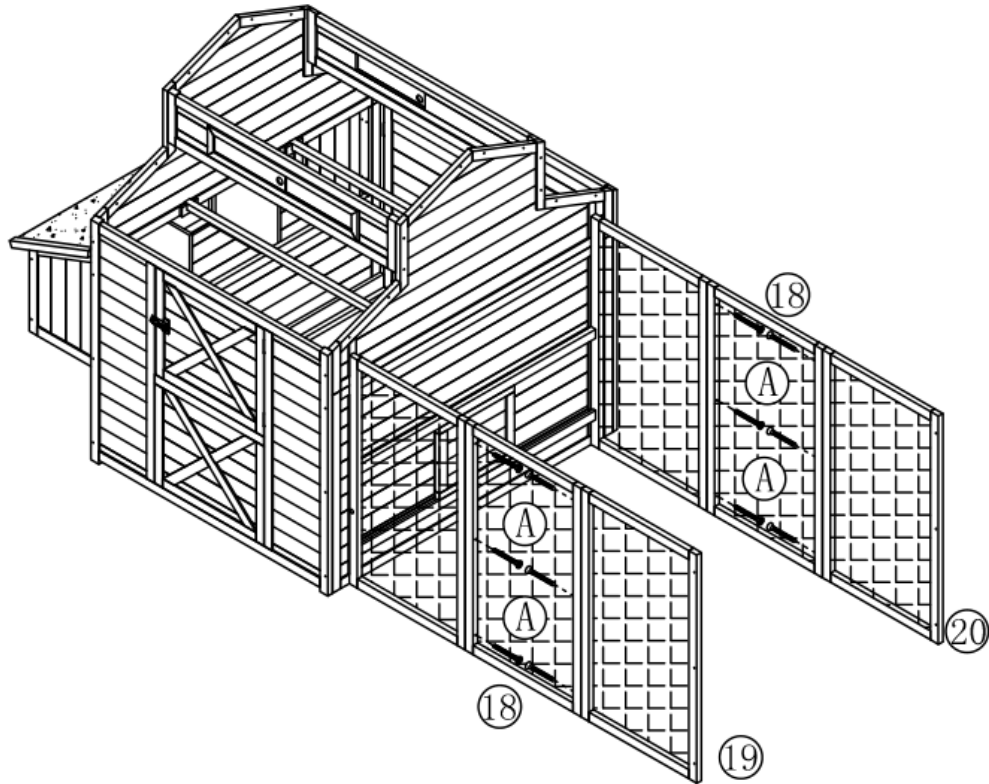
Note the left and right direction of the support arms.



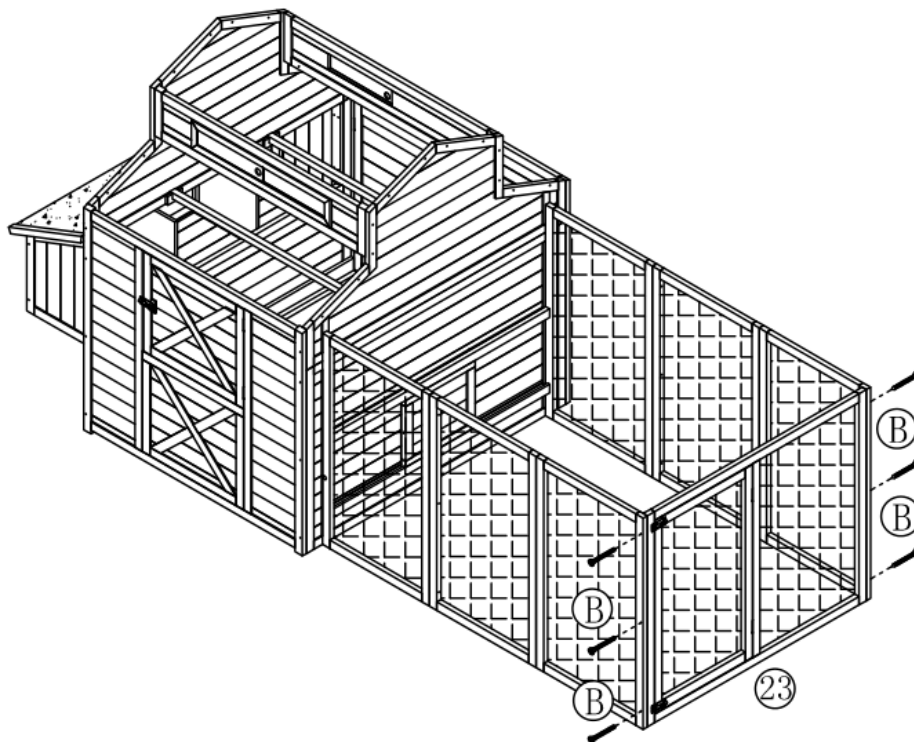
Step 13: Attach the latch (G) to back nesting panel and nesting roof using screws (E)*6pcs as shown.



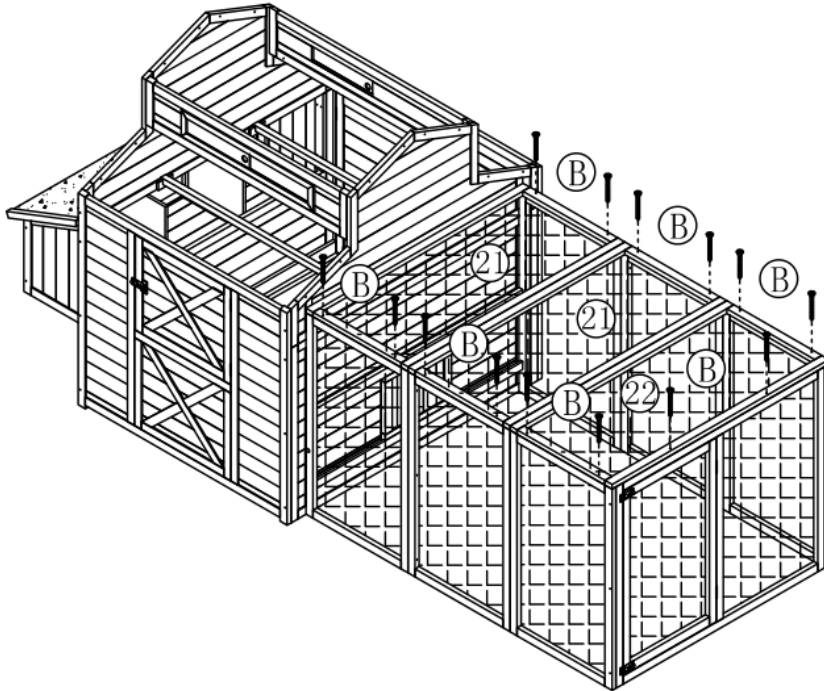
Step 14: Attach the run side panels (18) (19) (20) to each other using screws (A)*12pcs.



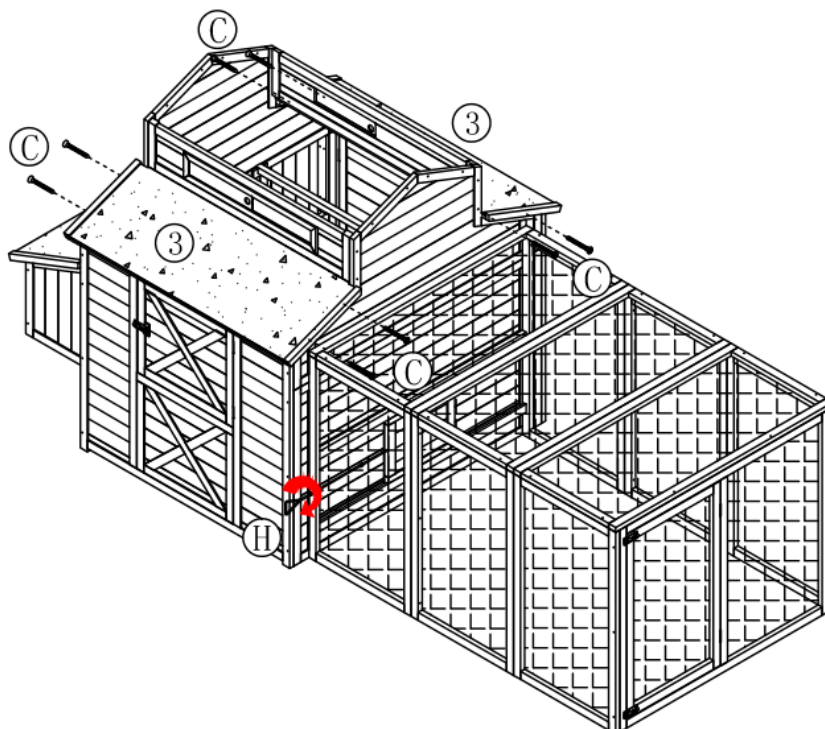
Step 15: Attach the right run panel (23) to the run side panels using screws (B)*6pcs as shown.



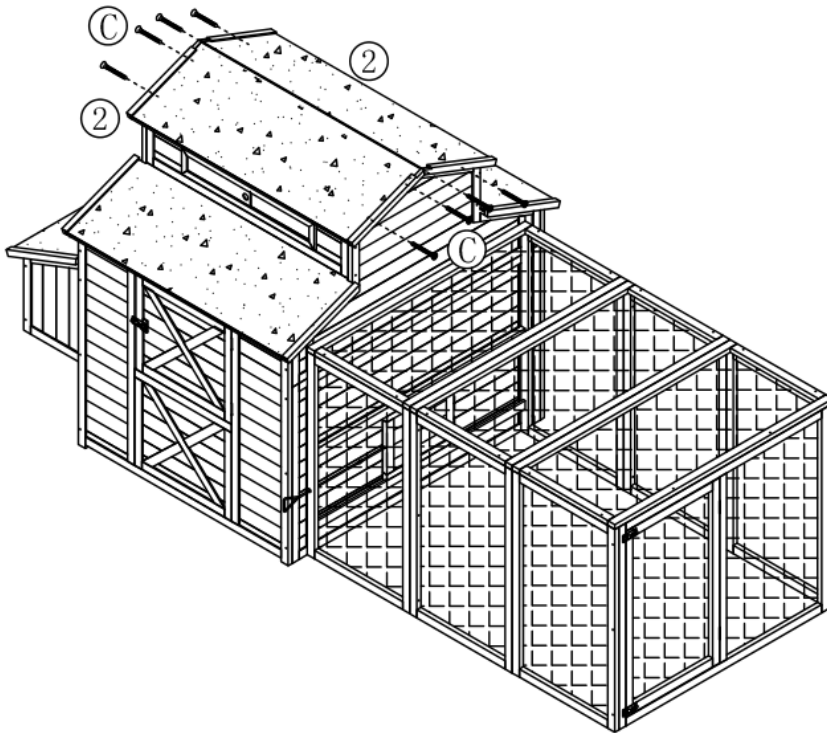
Step 16: Attach the run left cover panel and the run right cover panel to the run side panels using screws (B)*14pcs as shown.



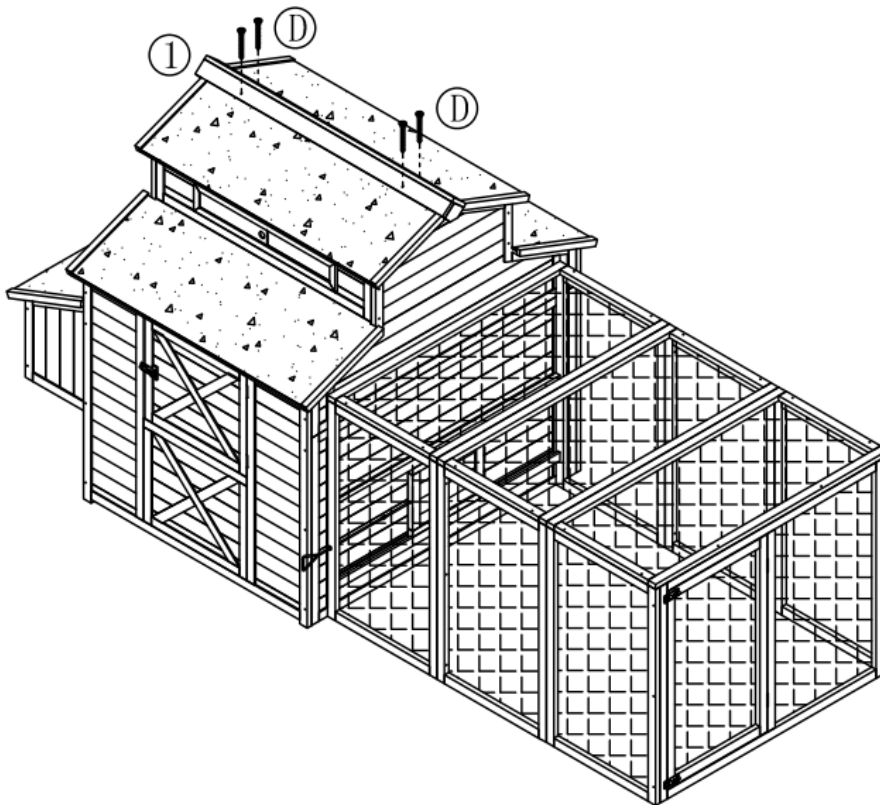
Step 17: Attach the lower roof panels (3) to the side panels using screws (C)*8pcs as shown. Place the door pull lever (H) through hole in panel, and secure into place by threading into door hardware located at the center of the sliding coop door.



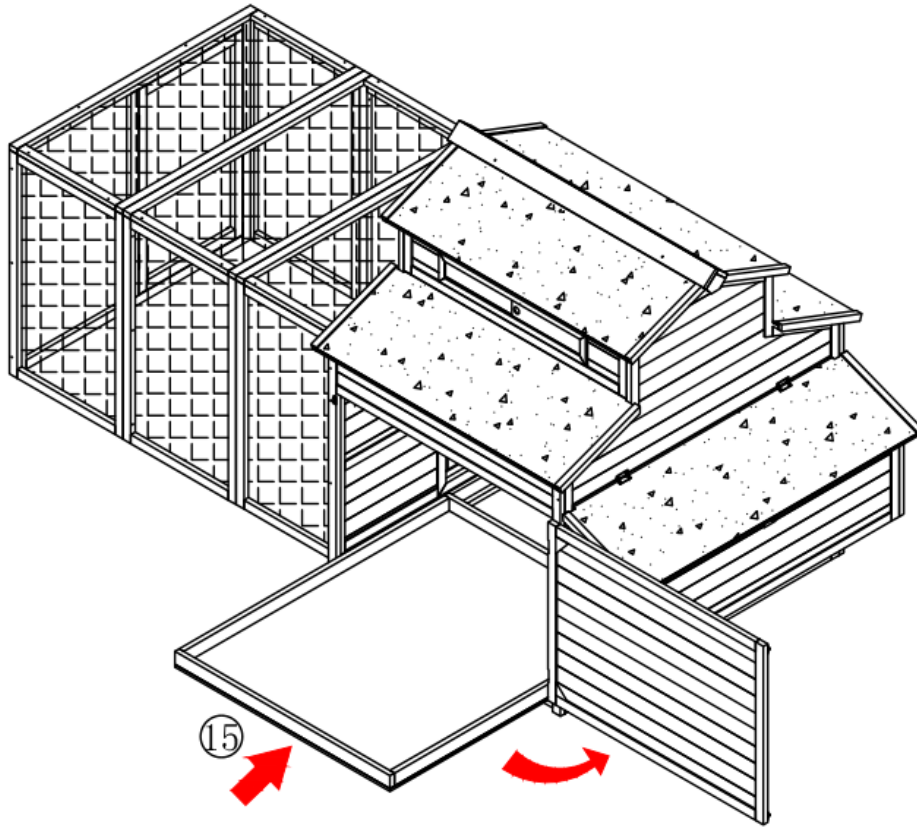
Step 18: Attach the top roof panels (2) using screws (C)*8pcs as shown.



Step 19: Attach the roof cap (1) using screws (D)*4pcs as shown.



Step 20: Place the drawer (15) as shown.



Finished Coop

