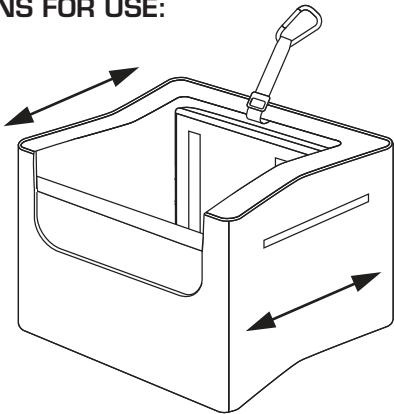
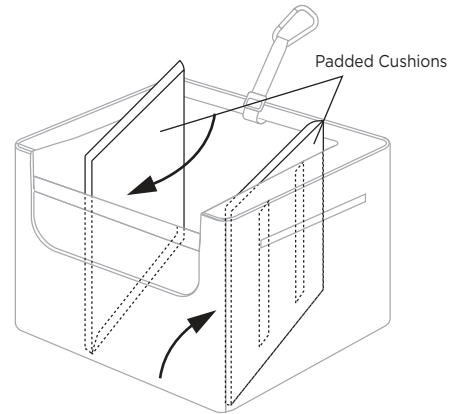


Booster Seat Instructions and care

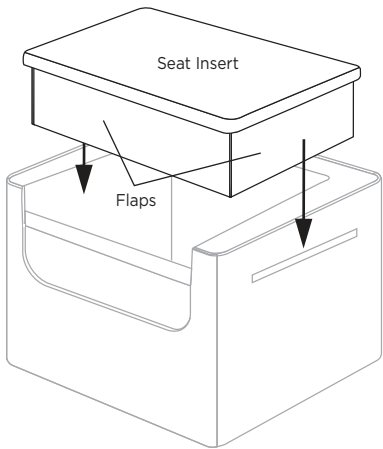
DIRECTIONS FOR USE:



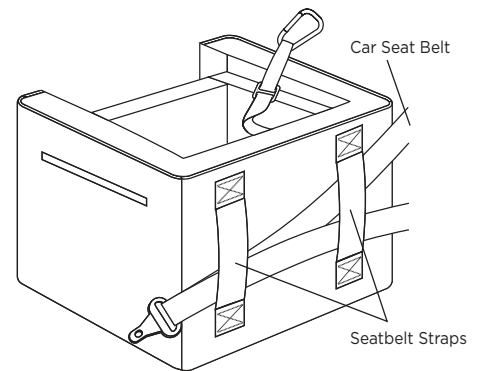
1. Unfold the booster seat frame.



2. With the pocket facing the front, rotate padded cushions toward side walls and secure firmly with hook and loop fabric strips.



3. Connect seat insert flaps to hook and loop fabric. Position seat insert securely on the bottom of booster.



4. Secure booster seat by running seat belt through straps on the back of the seat. Clip attached tether to your dog's harness so he stays safely inside.

USING THE TETHER WITH YOUR VEHICLE'S SEAT BELT

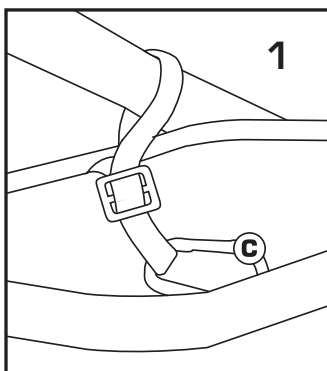
1. Pass the seat belt through the handle opening of the tether and attach the carabiner to your dog's harness leash hook.

OR

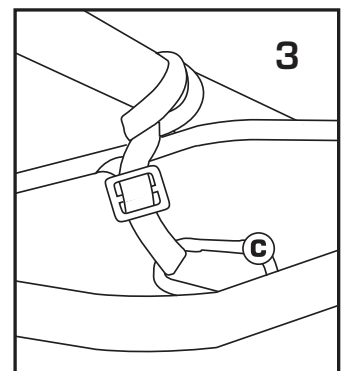
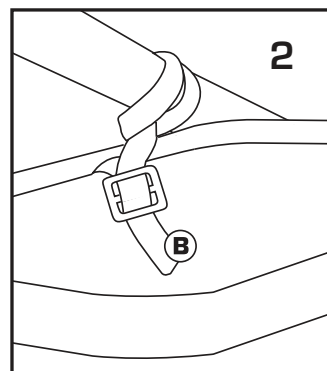
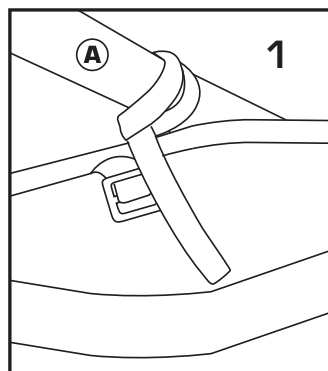
1. Remove carabiner and remove the tether from the slide located in the back of the booster seat. Loop tether around the seatbelt and pull back through tether handle.

2. Pull tether through the slide located in the back of the booster seat.

3. Re-attach carabiner to strap and attach to harness leash hook.



OR



WARNING: After clipping the tether strap to a dog harness, adjust the length of the strap to keep dog from jumping out. Always use a harness with the booster seat, collars are not suitable for automotive restraint. In the event of an accident the seat-belt, tether and safety harness will incur the impact while the booster seat frame is meant to break away. Should an accident occur the booster seat should be replaced.

WASHING INSTRUCTIONS: Spot clean with a pet-safe detergent. Wipe dry.



NOTICE: Please contact Kurgo directly with any product inquiries.