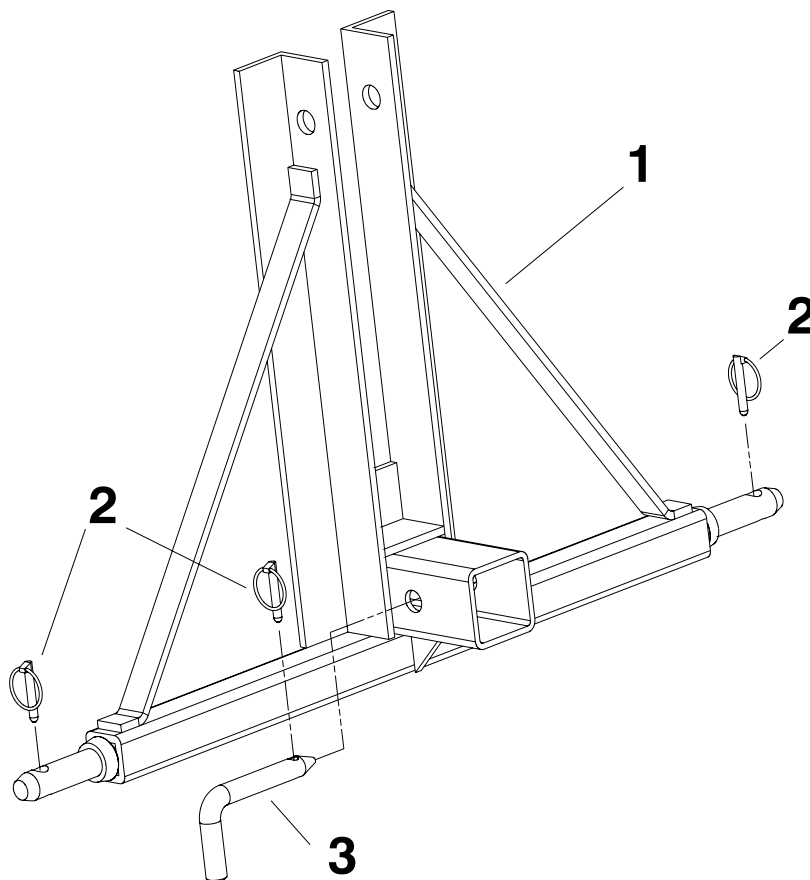




PARTS & INSTALLATION INSTRUCTIONS MEYER MINI JR. SPREADER 3 PT. HITCH MOUNT



PARTS LIST

Item	Part No.	Qty.	Description
	36500	1	3 POINT HITCH COMPLETE
1	36501	1	• 3 Point Hitch Frame
2	22083	3	• Lynch Pin
3	11006	1	• Hinge Pin

Parts indented are included in the assembly under which they are indented.

Meyer Products and Diamond Equipment reserves the right, under its continuing product improvement program, to change construction or design details, specifications and prices without notice or without incurring any obligation.

Meyer Products Inc.
18513 Euclid Ave. • Cleveland, Ohio 44112-1084
Phone 486-1313 (Area Code 216)
www.meyerproducts.com • email info@meyerproducts.com

Diamond Equipment
6 Angell Lane • Damariscotta, ME 04543-9720
Phone 563-2227 (Area Code 207)
www.diamondplow.com • email info@diamondplow.com

INSTALLATION INSTRUCTIONS

- A. Insert 3 Pt. Hitch's Right Side Arm (A) into the 3 Pt. Frame's (1) Hitch Post. Secure the Side Arm and Hitch Post with (2) Lynch Pin. Repeat this procedure to secure the Left Side Arm and Hitch Post. As shown in Figure 1
- B. Reposition the 3 Pt. Hitch Frame (1) and align with the 3 Pt. Hitch Clevis (B). Secure the Clevis (B) and Hitch Frame with existing Clevis bolt (C) and Cotter Pin (D). As shown in Figure 2.
- C. Insert the Mini Jr. Spreaders Hitch Tube (E) into the 3 Pt. Hitch Frames Receiver Tube. Secure the Hitch Tube (E) and Hitch Frame Receiver Tube with Lynch Pin (3) and Lynch Pin (2).

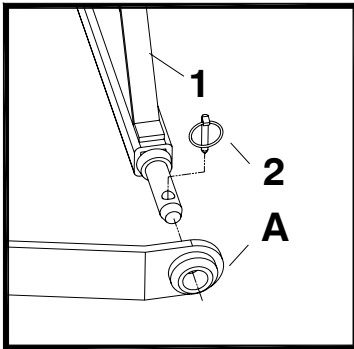


Figure 1

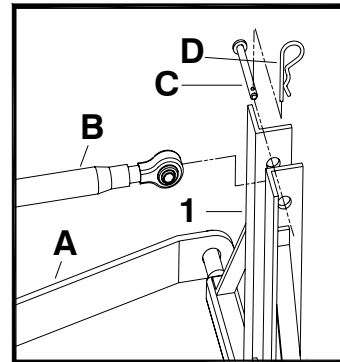


Figure 2

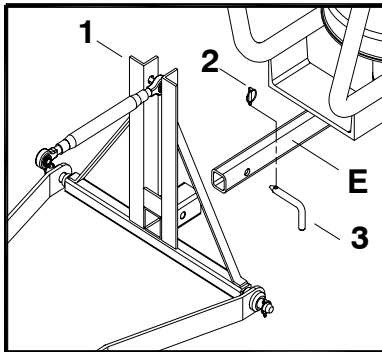


Figure 3

