



1-800-779-2102

Mon – Thurs: 8:00am - 5:00pm | Friday: 8:00am - 4:00pm CST

INSPECT YOUR PRODUCT FOR DAMAGE & MISSING PARTS BEFORE PROCEEDING TO INSTALLATION

PROCEDURE FOR RETURNS OR MISSING HARDWARE

-PLEASE CONTACT THE ORIGINAL POINT OF PURCHASE FOR:
SHIPPING DAMAGE, RETURNS, OR WARRANTY CLAIMS

-CONTACT DEE ZEE DIRECTLY FOR MISSING PARTS OR HARDWARE

WWW.DEEZEE.COM

REGISTER YOUR PRODUCT ONLINE: www.deezee.com/registration

VIEW INSTRUCTIONS ONLINE: www.deezee.com/instructions

⚠ WARNING: Cancer and Reproductive Harm
www.P65Warnings.ca.gov

Operating, servicing, and maintaining a passenger vehicle can expose you to chemicals such as lead, phthalates, engine exhaust, and carbon monoxide that are known to the State of California cause cancer and birth defects or other reproductive harm. To minimize exposure, service your vehicle and its accessories in a well-vented area and wear gloves or wash your hands frequently.



DEE ZEE, INC. WARRANTY AGREEMENT

Dee Zee, Inc. guarantees the original purchaser a limited lifetime warranty against manufacturer defects in materials, workmanship, and design under normal use, excluding damage resulting from road hazards such as gravel or other debris, product misuse, improper installation, impairments from accidents, product modifications, improper repairs, spills, vandalism, product neglect, or acts of God.

This warranty applies only to the original purchaser of new product(s) and is limited to the replacement of genuine Dee Zee products. Modification of any kind to Dee Zee products voids all warranty coverage. Warranty does not include electrical components, installation, cost of removal, labor, transportation costs, loss of use, inconvenience, or consequential damages.

WARRANTY COVERAGE - MATERIALS & WORKMANSHIP

LIMITED LIFETIME WARRANTY:

- STAINLESS STEEL: Side Steps, Grill Guards, Bull Bars, Bed Caps, and Side Rails
- ALUMINUM: Side Steps, Running Boards, Storage Boxes, Transfer Tanks, Bed Protection, Side Rails, Invis-A-Racks, and Cab Racks
- PLASTIC: Storage Boxes
- OTHER: Front and Rear Bumpers

THREE-YEAR WARRANTY:

- POWDER-COATED / E-COATED STEEL: Side Steps, Running Boards, Storage Boxes, Transfer Tanks, Cab Racks, Sport Bar Ladder Racks, Cargo Carriers, Mounting Brackets (NX, Rough Step, and Bumper Guards only)
- OTHER: Tailgate Assist, Bed Mats, Floor Mats, Auxiliary Fuel Connection Kits, and All Products Not Otherwise Listed Individually

WARRANTY COVERAGE – FINISH PROTECTION

The finish of all Dee Zee products is covered for one-year (1) from the date of purchase. Dee Zee products have a high quality finish that must be cared for and maintained like any other exposed finish on the vehicle. Protect the finish with non-abrasive automotive wax (e.g. Pure Carnauba) on a regular basis. Applying soaps, polishes, or waxes that contain an abrasive compound may scratch the finish and leave the exposed material susceptible to corrosion.

WARRANTY COVERAGE – COMPONENT PARTS

Operational items such as shocks, latches, hinges, and wear items including, but not limited to, mud flaps, step pads, toolbox tray, end caps, hardware, seals, etc. have a one-year (1) warranty. Replacement component parts can be ordered via credit card (MasterCard or VISA) by calling 1-800-779-2102. All replacement parts are non-returnable and non-refundable.

GPI® FUEL PUMPS & ACCESSORIES

All Great Plains Industries (GPI) products, including transfer tank pumps and fuel meters are covered by GPI's warranty policies. Dee Zee's warranty terms do not apply to GPI products. To submit a warranty claim, please contact GPI at 1-800-835-0113 or visit www.gpi.net.

WARRANTY SUBMISSION PROCEDURE

All warranty claims will be initiated at the place of purchase. The original purchaser will be required to present the original sales receipt with purchase date shown and provide photographs of the defect.

In the event the originally purchased product style is no longer available, Dee Zee will warranty the defective part with a current equivalent. If a comparable product is no longer available, the product would be returned to the store of purchase for a refund or the applicable cost difference can be paid to choose an alternate style.

DISCLAIMER

All products are sold as appearance accessories and should not be relied upon as protection for the vehicle or its occupants in the event of an accident. Vehicles equipped with a supplemental restraints system (air bags) deployed by impact and collision avoidance systems should not be modified in any way. Always consult the vehicle manufacturer if you have any questions regarding supplemental restraint systems and sensors.

Buyer must accommodate front and rear sensors during product installation and assumes all risk should these be tampered, rerouted, severed, or disconnected. This includes disabling visual, audio, or vibration alerts into the cab. Buyer assumes all risk and responsibility for wiring any supplemental auxiliary lights.

Buyer assumes all risk, liability, and cost for the installation and use of Dee Zee products. Dee Zee, Inc. assumes no liability for injury, loss, incidental or consequential damages in the event of an accident.



Thank you for choosing Dee Zee to add function and accessorize your vehicle. Dee Zee has been a staple brand in the truck accessory market since 1977 and we hold a reputation of quality manufacturing based in America's Heartland. Our products are born through careful engineering and backed by industry leading warranty programs. We appreciate the opportunity to serve you and your vehicle!

Review the instruction pages in their entirety to prepare the required tools

Warning: Please check for wiring or other obstructions before drilling any holes in the vehicle. If it is necessary to drill any holes, Dee Zee recommends putting a sealant or rust inhibitory around all holes drilled into the body of the vehicle.

It is the sole responsibility of the vehicle owner to check for tire clearance. It is unlawful and dangerous to ride on any external vehicle step while the vehicle is in motion.

Cleaning: To be entitled to all warranty rights offered with the product, Dee Zee steps need to be cleaned regularly with a mild detergent. Do NOT use abrasive cleaners. For stainless steel products, the application of a high grade automotive wax is recommended.



Dee Zee Cares - Please Recycle

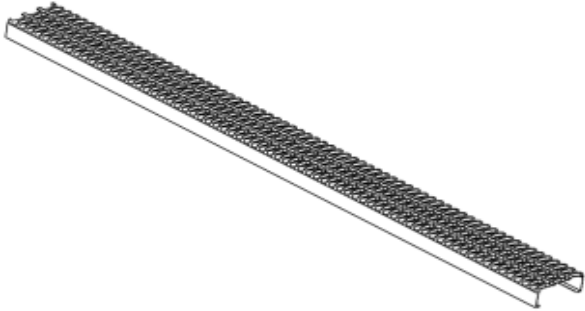
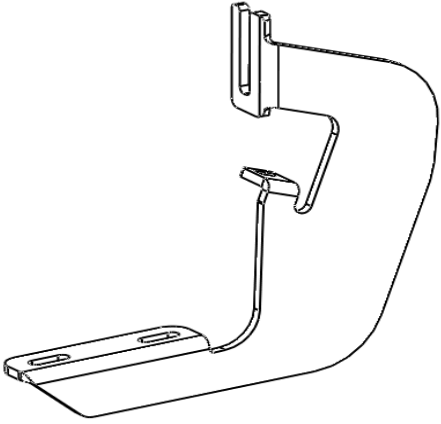
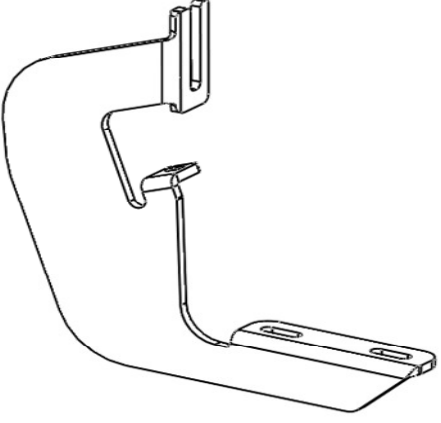
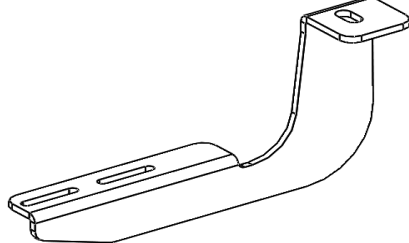

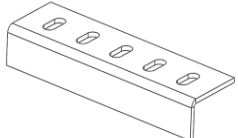
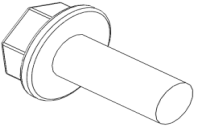
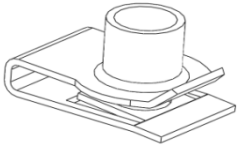
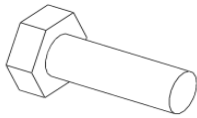

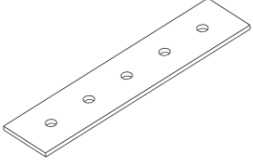

For an electronic version of these instructions visit: www.deezee.com/instructions

Register your product online: www.deezee.com/registration

ROUGH STEP RUNNING BOARD INSTALLATION INSTRUCTION

DZ 15317

2014-CURRENT CHEVY-GMC 1500 2015-CURRENT CHEVY-GMC 2500/3500

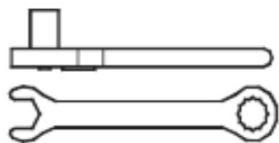
| | | | |
|--|---|--|---|
| <p>A RUNNING BOARD</p>  <p>BOARDS SOLD SEPARATELY</p> <p>VARIES X1 LH/ X1 RH</p> | <p>B DRIVER SIDE BRACE</p>  <p>B 2228LP X3</p> | | |
| <p>C PASSENGER SIDE BRACE</p>  <p>B 2228RP X3</p> | <p>D FRONT PASSENGER BRACE FOR HD DIESEL</p>  <p>B 2227P X1</p> | | |
| <p>G 1/4" HEX NUT</p>  <p>PN 71B X18</p> | <p>H ANGLE BRACKET</p>  <p>B 1792P X6</p> | <p>E 8mm BOLT</p>  <p>PN 525 X12</p> | <p>F 8mm U-NUT</p>  <p>PN 909 X12</p> |
| <p>K 1/4 X 1" HEX HEAD BOLT BLACK</p>  <p>PN 78 X18</p> | <p>L 1/4" FLAT WASHER</p>  <p>PN 72B X36</p> | <p>I STRAP BRACKET</p>  <p>B 1791P X6</p> | <p>J SPLIT LOCK WASHER</p>  <p>PN 512 X18</p> |

TOOLS REQUIRED

WRENCH/RATCHET

TORQUE WRENCH
CLAMP

21mm, 13mm, 7/16"



- 1 There is a difference in the bracket mounting between the gas and the diesel version of this truck. If your vehicle is a Chevy HD diesel with a DEF tank, start here with step one for installing the brackets. If your vehicle is not, proceed to step 4 for installing the brackets. Because this kit includes brackets for either type of vehicle, when you are finished with the installation, you will have one bracket that will not be used.

If you are installing this board on a regular cab, you will also not use one of the [B] and [C] brackets because the regular cab does not have a middle mounting location.

The passenger's side is shown. The front of the vehicle is to the right in the picture. Locate the front body shock mount.

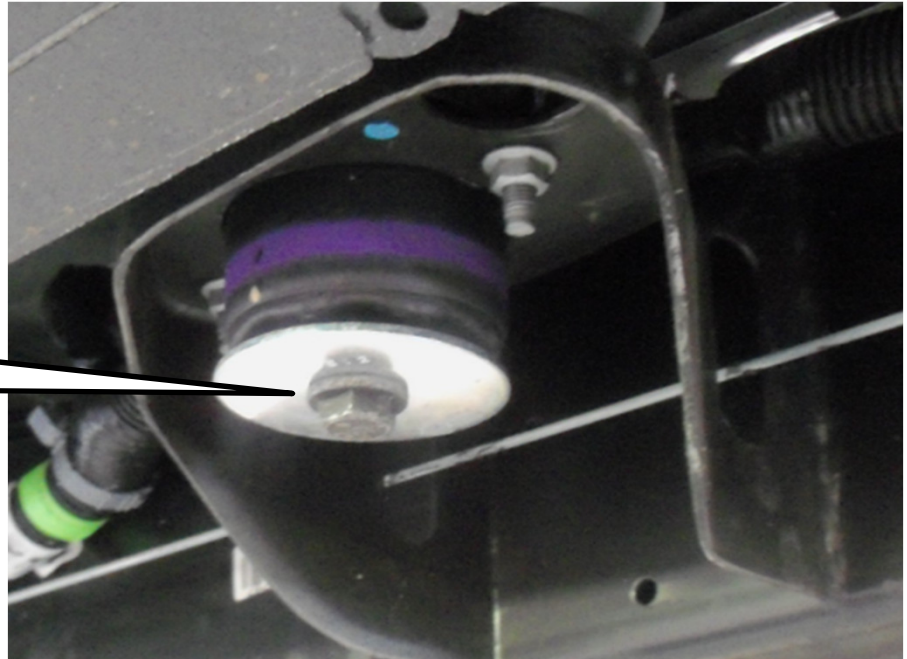


2 Remove the bolt from the body shock mount at each of the mounting locations using a 21mm socket.

IMPORTANT ALERT: GM uses a very strong thread-locking compound on all body bolts. Use of an air assisted impact ratchet can cause damage to the threads on factory body mount bolts and the internal nut assembly because of this thread locking compound.

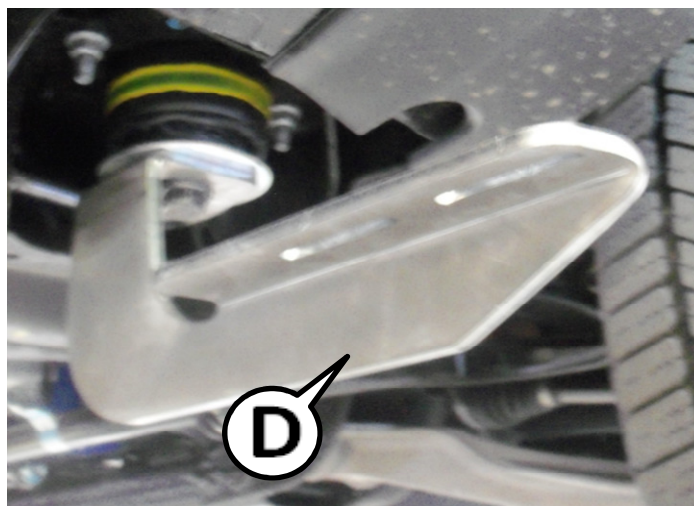
We only recommend the use of hand tools to slowly remove and reinstall body mount bolts on all GM vehicles.

**REMOVE
BOLT**

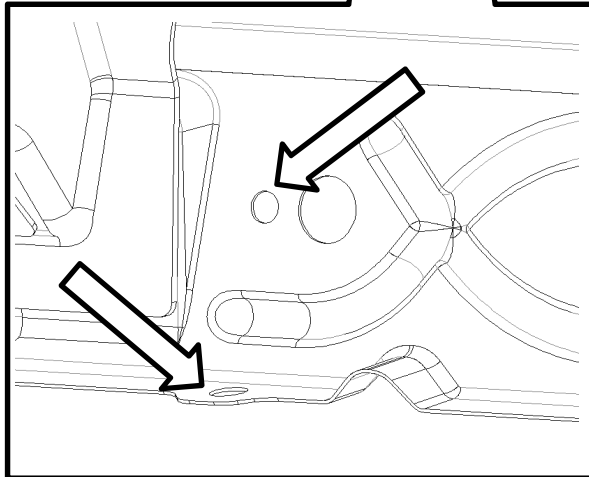
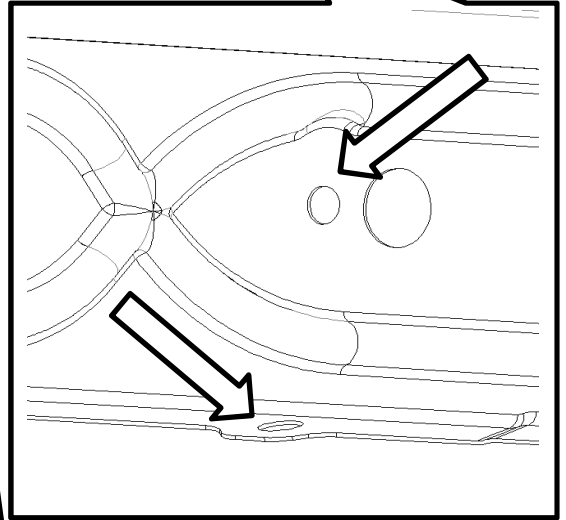
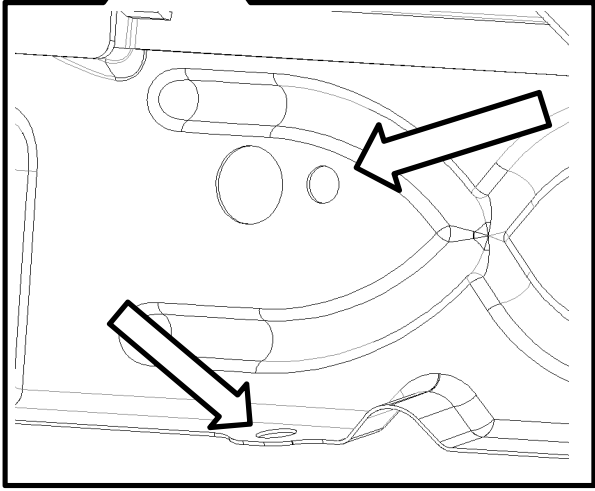
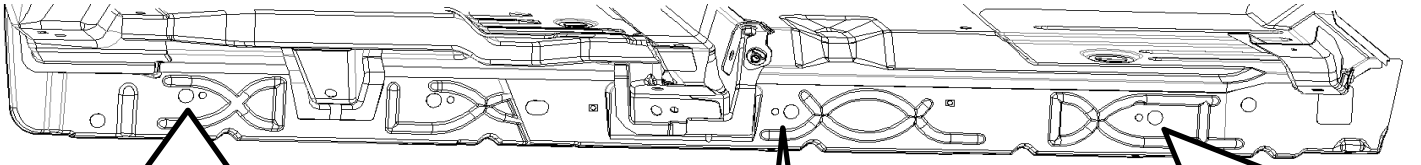


3 Put the body shock mount bolt through the hole in the brace [D] and thread it back into the body shock mount. Align the braces so that they are perpendicular to the side of the vehicle. Tighten the bolts to 44 ft-lbs plus another half turn.

The driver's side is shown. The front of the vehicle is to the left of the pictures.

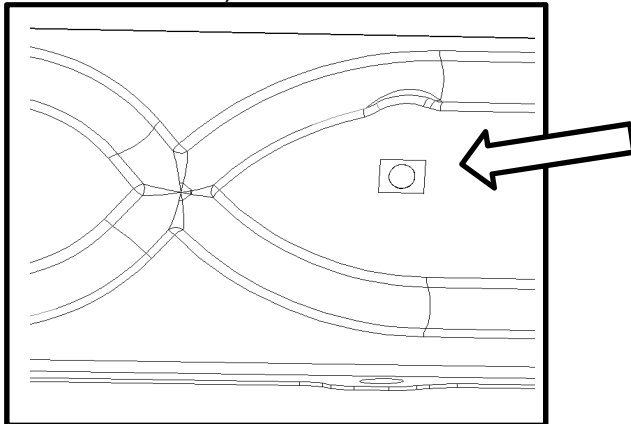


4 Locate the bracket mounting locations on the inside of the rocker panel. Shown below is the driver side of the crew cab. The front of the vehicle is to the right side.

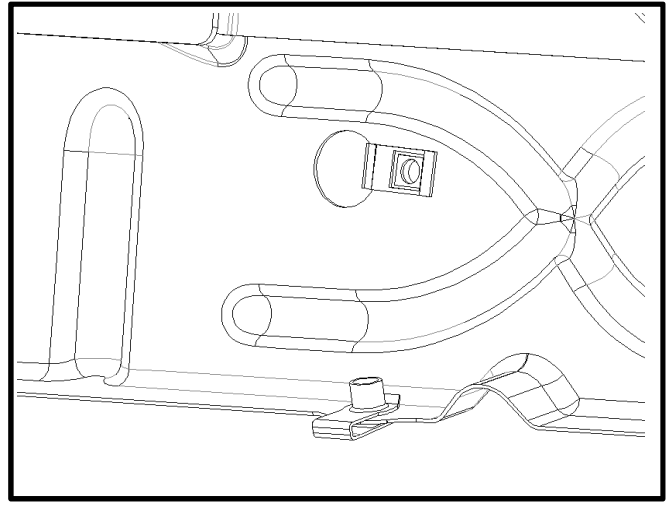
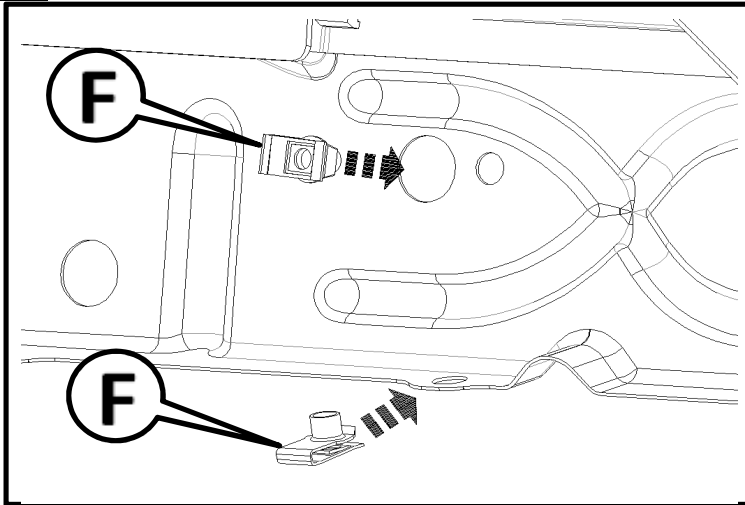


NOTE:
For regular cab trucks there will not be a middle mounting location.

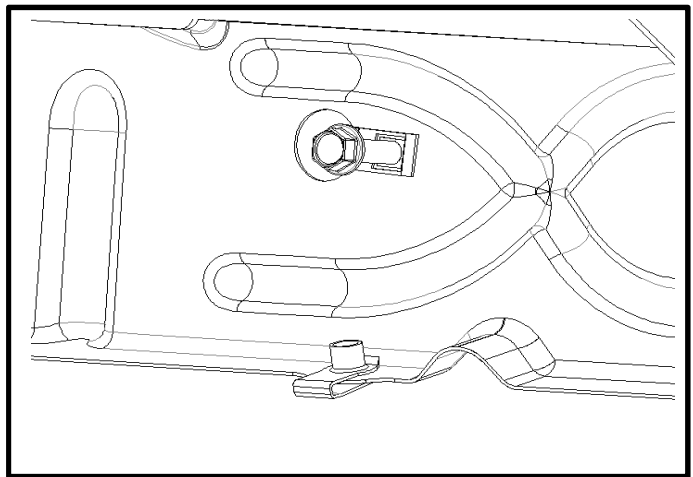
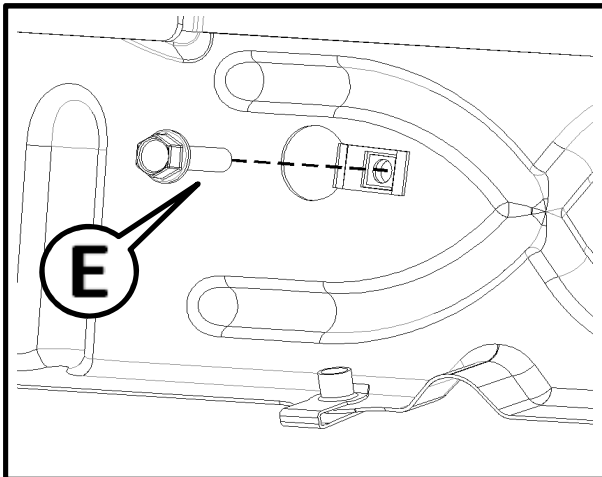
Depending where your vehicle was manufactured, the front and middle top mounting locations may have weld nuts instead of open hole. If this is the case, the bolt will thread into the weld nut and the clip will not be used.



5 Install the 8mm U-nut [F] in all of the mounting locations, unless there is a weld nut.



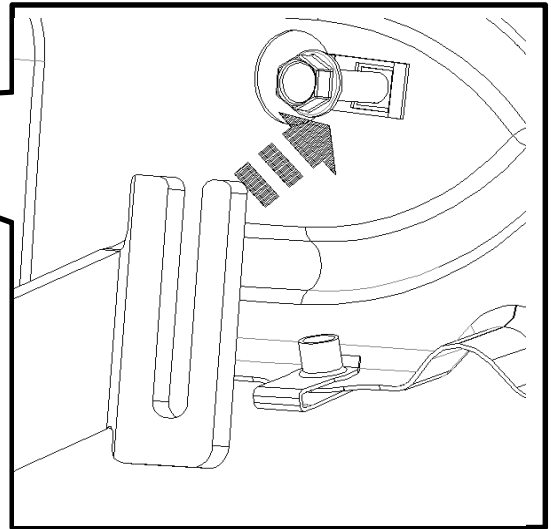
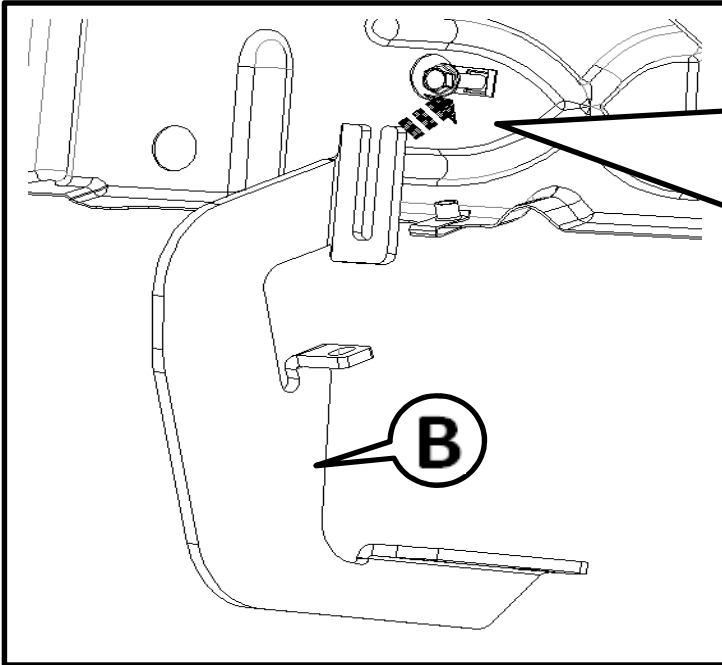
6 Thread an 8mm bolt [E] part way into all of the top mounting locations.



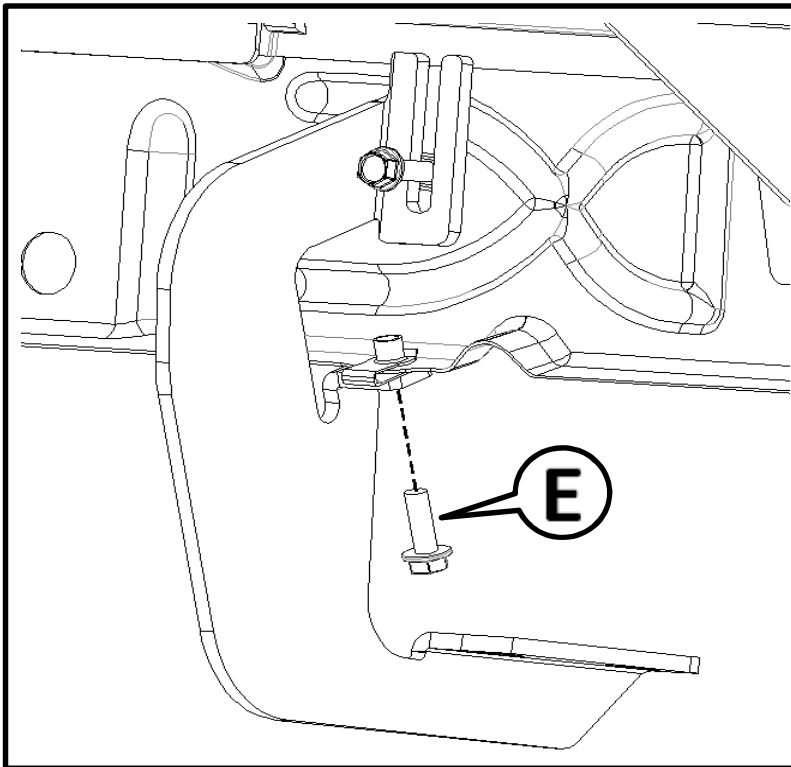
If your vehicle has the weld nut in the front and middle locations, thread the bolt part way into the weld nut.

8

Slide the open end of the slot in the driver side brace [B] over the 8mm bolt.



Attach the bottom mounting location using the 8mm bolt [E].



Tighten the 8mm bolts using a 13mm wrench.

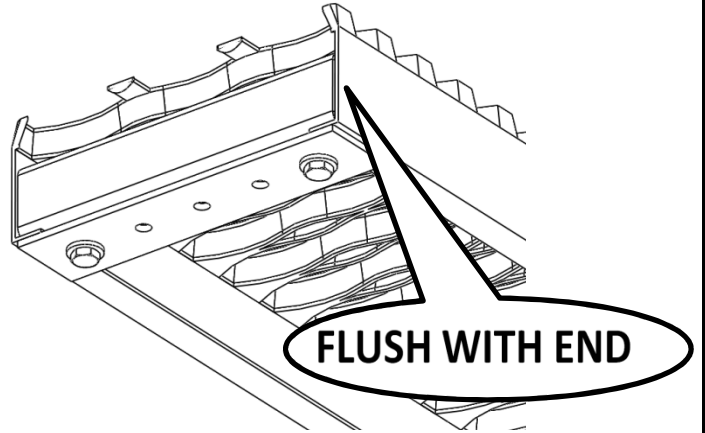
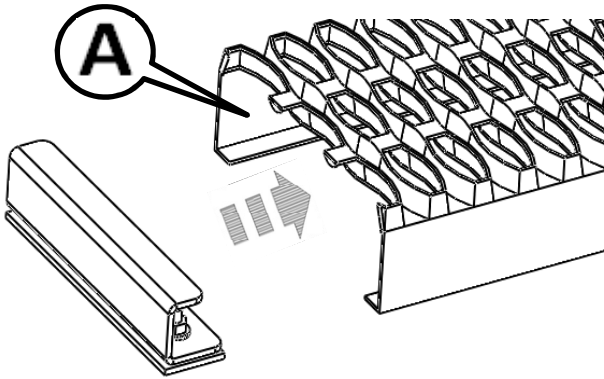
Repeat this for all of the mounting locations.

Repeat these step on the passenger side using the passenger side bracket [C].

If you have an HD diesel and installed the brace in steps 1-3, then you will only use bracket [C] in the middle and rear locations. The middle passenger location will be right next to the DEF tank.

You will need an open end wrench to fit between the DEF tank and the pinch weld to tighten the top bolt.

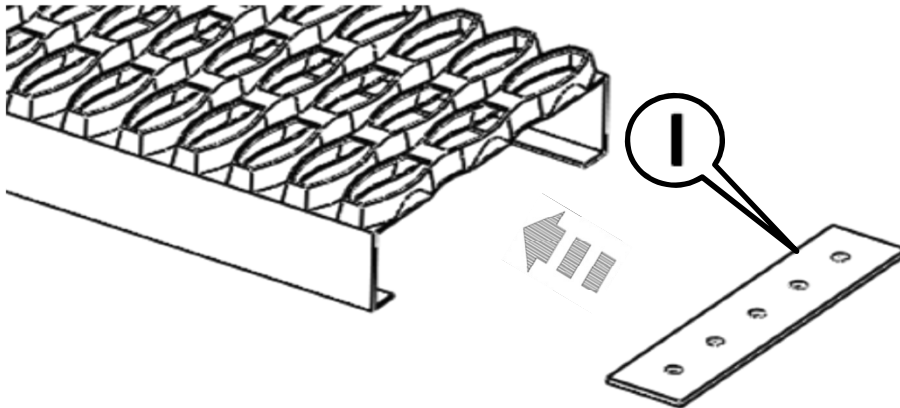
- 9** Slide the pre-assembled end cap into the end of the board [A] until the end cap is flush with the end of the board. The end cap must be inside the board and the strap bracket outside the board. Tighten the bolts with a 7/16" wrench and socket.



DO NOT INSTALL THE END CAP ON THE OTHER END OF THE BOARD UNTIL COMPLETING THE NEXT STEP.

If you do not have the end caps already assembled, refer to the instructions included with the running boards.

- 10** Before attaching the end cap on the other end of the board, slide the strap brackets into the open end of the board. If your application uses 2 braces per side, insert 2 strap brackets [I]. If your application uses 3 braces per side, insert 3 strap brackets [I].

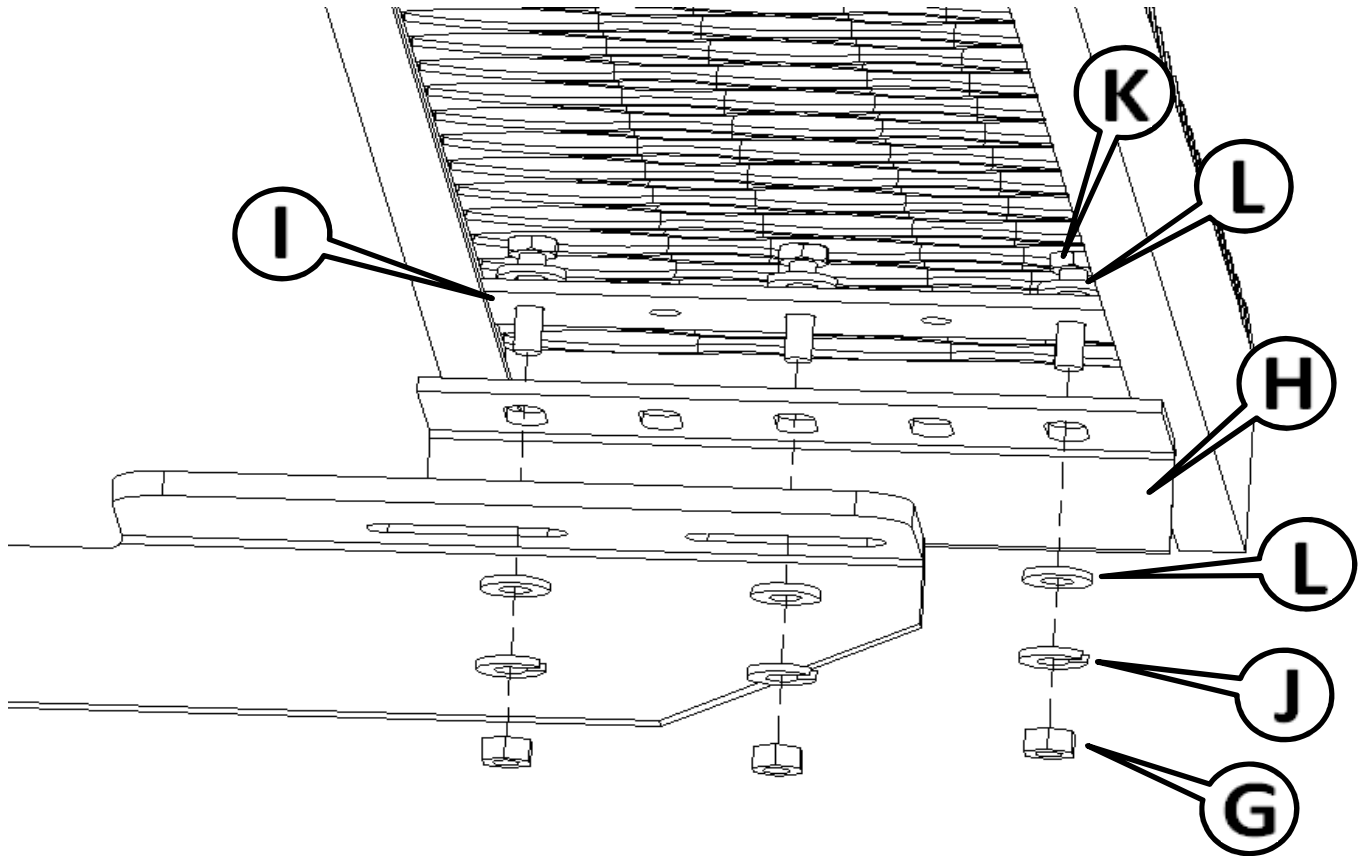


Attach the other end cap.

11

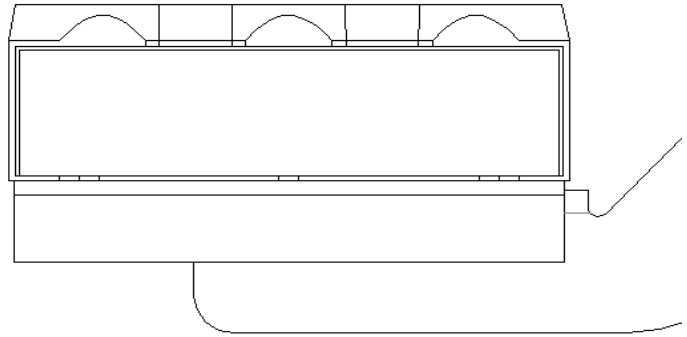
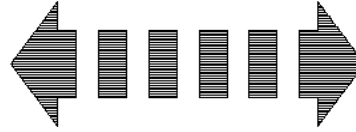
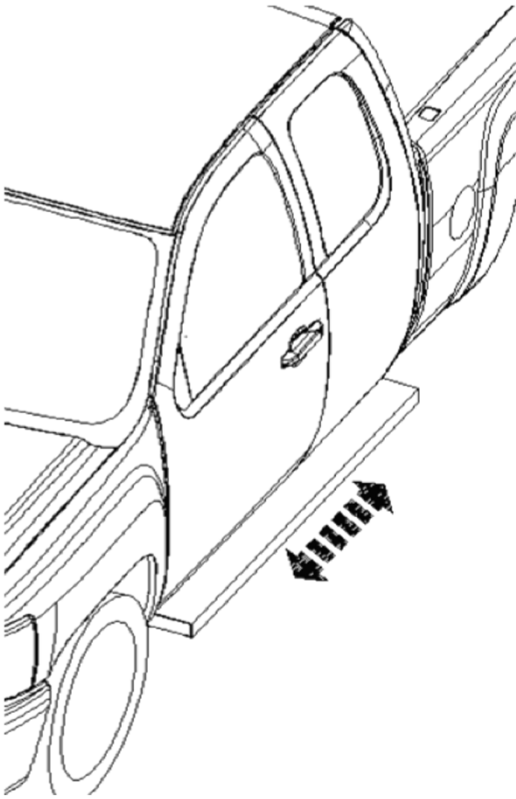
Align the strap brackets [I] that were placed inside the board in the previous step with the braces that are attached to the vehicle. Place an angle brace [H] on the brace board mounting area. Attach the board to the brace using the 1/4" bolt [K], 1/4" washer [L], 1/4" lock washer [J], and 1/4" nut [G].

Do not completely tighten at this time.



12

Align the board with the vehicle from front to back and in/out.



Once the board is in the desired location, tighten the bolts that attach the board to the brace using a 7/16" wrench and socket.

Make sure all bolts are tightened. Repeat steps for other side.