



1-800-779-2102

Mon – Thurs: 8:00am - 5:00pm | Friday: 8:00am - 4:00pm CST

INSPECT YOUR PRODUCT FOR DAMAGE & MISSING PARTS BEFORE PROCEEDING TO INSTALLATION

PROCEDURE FOR RETURNS OR MISSING HARDWARE

-PLEASE CONTACT THE ORIGINAL POINT OF PURCHASE FOR:
SHIPPING DAMAGE, RETURNS, OR WARRANTY CLAIMS

-CONTACT DEE ZEE DIRECTLY FOR MISSING PARTS OR HARDWARE

WWW.DEEZEE.COM

REGISTER YOUR PRODUCT ONLINE: www.deezee.com/registration

VIEW INSTRUCTIONS ONLINE: www.deezee.com/instructions

⚠ WARNING: Cancer and Reproductive Harm
www.P65Warnings.ca.gov

Operating, servicing, and maintaining a passenger vehicle can expose you to chemicals such as lead, phthalates, engine exhaust, and carbon monoxide that are known to the State of California cause cancer and birth defects or other reproductive harm. To minimize exposure, service your vehicle and its accessories in a well-vented area and wear gloves or wash your hands frequently.



DEE ZEE, INC. WARRANTY AGREEMENT

Dee Zee, Inc. guarantees the original purchaser a limited lifetime warranty against manufacturer defects in materials, workmanship, and design under normal use, excluding damage resulting from road hazards such as gravel or other debris, product misuse, improper installation, impairments from accidents, product modifications, improper repairs, spills, vandalism, product neglect, or acts of God.

This warranty applies only to the original purchaser of new product(s) and is limited to the replacement of genuine Dee Zee products. Modification of any kind to Dee Zee products voids all warranty coverage. Warranty does not include electrical components, installation, cost of removal, labor, transportation costs, loss of use, inconvenience, or consequential damages.

WARRANTY COVERAGE - MATERIALS & WORKMANSHIP

LIMITED LIFETIME WARRANTY:

- STAINLESS STEEL: Side Steps, Grill Guards, Bull Bars, Bed Caps, and Side Rails
- ALUMINUM: Side Steps, Running Boards, Storage Boxes, Transfer Tanks, Bed Protection, Side Rails, Invis-A-Racks, and Cab Racks
- PLASTIC: Storage Boxes
- OTHER: Front and Rear Bumpers

THREE-YEAR WARRANTY:

- POWDER-COATED / E-COATED STEEL: Side Steps, Running Boards, Storage Boxes, Transfer Tanks, Cab Racks, Sport Bar Ladder Racks, Cargo Carriers, Mounting Brackets (NX, Rough Step, and Bumper Guards only)
- OTHER: Tailgate Assist, Bed Mats, Floor Mats, Auxiliary Fuel Connection Kits, and All Products Not Otherwise Listed Individually

WARRANTY COVERAGE – FINISH PROTECTION

The finish of all Dee Zee products is covered for one-year (1) from the date of purchase. Dee Zee products have a high quality finish that must be cared for and maintained like any other exposed finish on the vehicle. Protect the finish with non-abrasive automotive wax (e.g. Pure Carnauba) on a regular basis. Applying soaps, polishes, or waxes that contain an abrasive compound may scratch the finish and leave the exposed material susceptible to corrosion.

WARRANTY COVERAGE – COMPONENT PARTS

Operational items such as shocks, latches, hinges, and wear items including, but not limited to, mud flaps, step pads, toolbox tray, end caps, hardware, seals, etc. have a one-year (1) warranty. Replacement component parts can be ordered via credit card (MasterCard or VISA) by calling 1-800-779-2102. All replacement parts are non-returnable and non-refundable.

GPI® FUEL PUMPS & ACCESSORIES

All Great Plains Industries (GPI) products, including transfer tank pumps and fuel meters are covered by GPI's warranty policies. Dee Zee's warranty terms do not apply to GPI products. To submit a warranty claim, please contact GPI at 1-800-835-0113 or visit www.gpi.net.

WARRANTY SUBMISSION PROCEDURE

All warranty claims will be initiated at the place of purchase. The original purchaser will be required to present the original sales receipt with purchase date shown and provide photographs of the defect.

In the event the originally purchased product style is no longer available, Dee Zee will warranty the defective part with a current equivalent. If a comparable product is no longer available, the product would be returned to the store of purchase for a refund or the applicable cost difference can be paid to choose an alternate style.

DISCLAIMER

All products are sold as appearance accessories and should not be relied upon as protection for the vehicle or its occupants in the event of an accident. Vehicles equipped with a supplemental restraints system (air bags) deployed by impact and collision avoidance systems should not be modified in any way. Always consult the vehicle manufacturer if you have any questions regarding supplemental restraint systems and sensors.

Buyer must accommodate front and rear sensors during product installation and assumes all risk should these be tampered, rerouted, severed, or disconnected. This includes disabling visual, audio, or vibration alerts into the cab. Buyer assumes all risk and responsibility for wiring any supplemental auxiliary lights.

Buyer assumes all risk, liability, and cost for the installation and use of Dee Zee products. Dee Zee, Inc. assumes no liability for injury, loss, incidental or consequential damages in the event of an accident.



Thank you for choosing Dee Zee to add function and accessorize your vehicle. Dee Zee has been a staple brand in the truck accessory market since 1977 and we hold a reputation of quality manufacturing based in America's Heartland. Our products are born through careful engineering and backed by industry leading warranty programs. We appreciate the opportunity to serve you and your vehicle!

Review the instruction pages in their entirety to prepare the required tools

Warning: Please check for wiring or other obstructions before drilling any holes in the vehicle. If it is necessary to drill any holes, Dee Zee recommends putting a sealant or rust inhibitory around all holes drilled into the body of the vehicle.

It is the sole responsibility of the vehicle owner to check for tire clearance. It is unlawful and dangerous to ride on any external vehicle step while the vehicle is in motion.

Cleaning: To be entitled to all warranty rights offered with the product, Dee Zee steps need to be cleaned regularly with a mild detergent. Do NOT use abrasive cleaners. For stainless steel products, the application of a high grade automotive wax is recommended.



Dee Zee Cares - Please Recycle

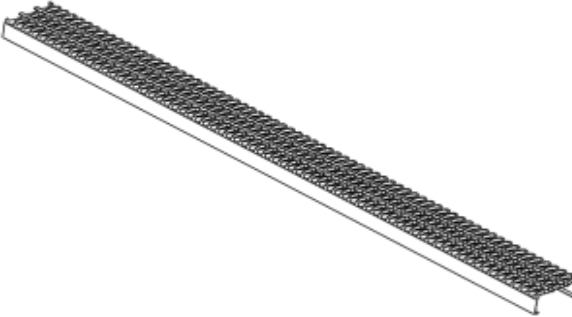
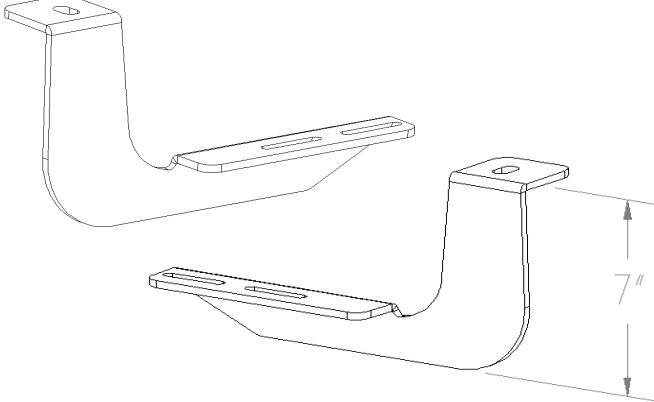
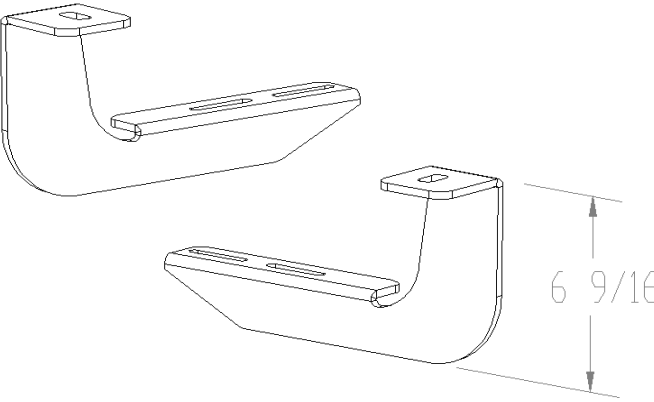
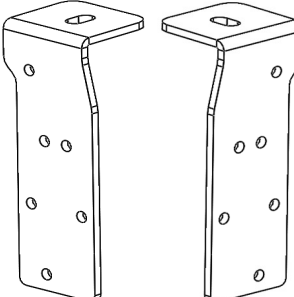
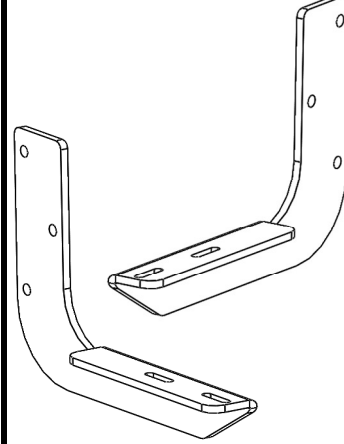
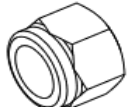
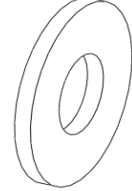

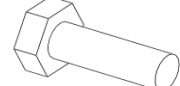
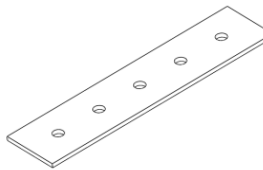


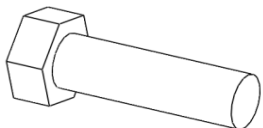
For an electronic version of these instructions visit: www.deezee.com/instructions

Register your product online: www.deezee.com/registration

ROUGH STEP RUNNING BOARD INSTALLATION INSTRUCTION

DZ 15315 2007-2013 CHEVY/GMC 1500

2010-2014 CHEVY/GMC 2500/3500

<p>A RUNNING BOARD</p>  <p>*** BOARD SOLD SEPARATELY</p>	<p>B FRONT BRACE</p> 		
<p>C MIDDLE BRACE</p> 	<p>D REAR BRACE TOP</p> 	<p>E REAR BRACE BOTTOM</p> 	
<p>F STRAP BRACKET</p> 	<p>G 3/8" WASHER</p> 	<p>H SPLIT LOCK WASHER</p> 	<p>I 1/4 X 1" HEX HEAD BOLT</p> 
<p>J STRAP BRACKET</p> 	<p>K 1/4" FLAT WASHER</p> 	<p>L 1/4" HEX NUT</p> 	<p>M 3/8" BOLT</p> 
<p>B 1580LP/RP X1 LH/ X1 RH</p>	<p>B 1572LP/RP X1 LH/ X1 RH</p>	<p>B 2233LP/RP X1 LH/ X1 RH</p>	<p>B 2234LP/RP X1 LH/ X1 RH</p>
<p>B 1791P X6</p>	<p>PN 113 X12</p>	<p>PN 512 X12</p>	<p>PN 96B X12</p>
<p>PN 322 X6</p>	<p>PN 72B X24</p>	<p>PN 71B X12</p>	<p>PN 114 X6</p>

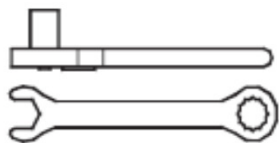
TOOLS REQUIRED

WRENCH/RATCHET

TORQUE WRENCH

TAPE MEASURE

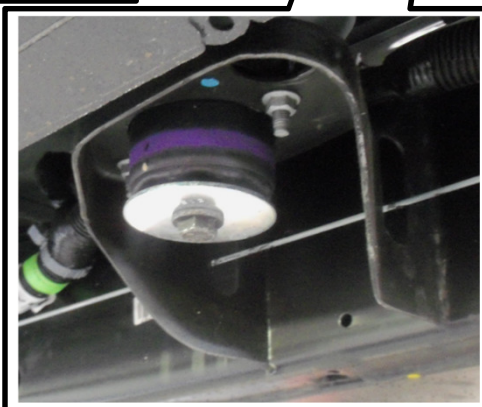
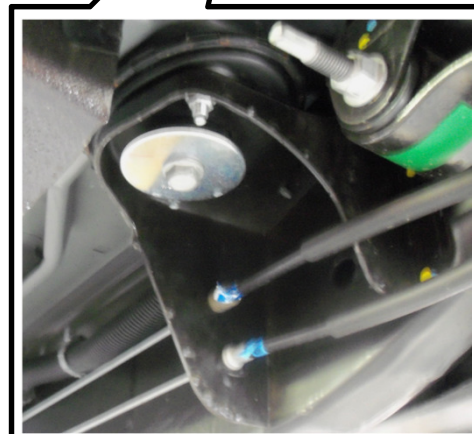
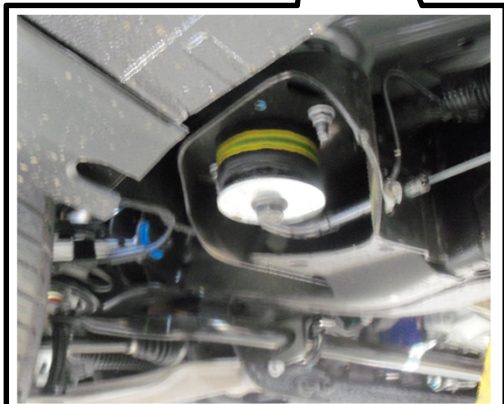
21mm, 9/16", 7/16"



1

Locate the 3 mounting locations.

The driver's side is shown. The front of the vehicle is to the left of the picture.



NOTE:

If you are installing this board on a regular cab, there is no middle brace. You will not use brace [D] and brace [E]. These may be discarded.

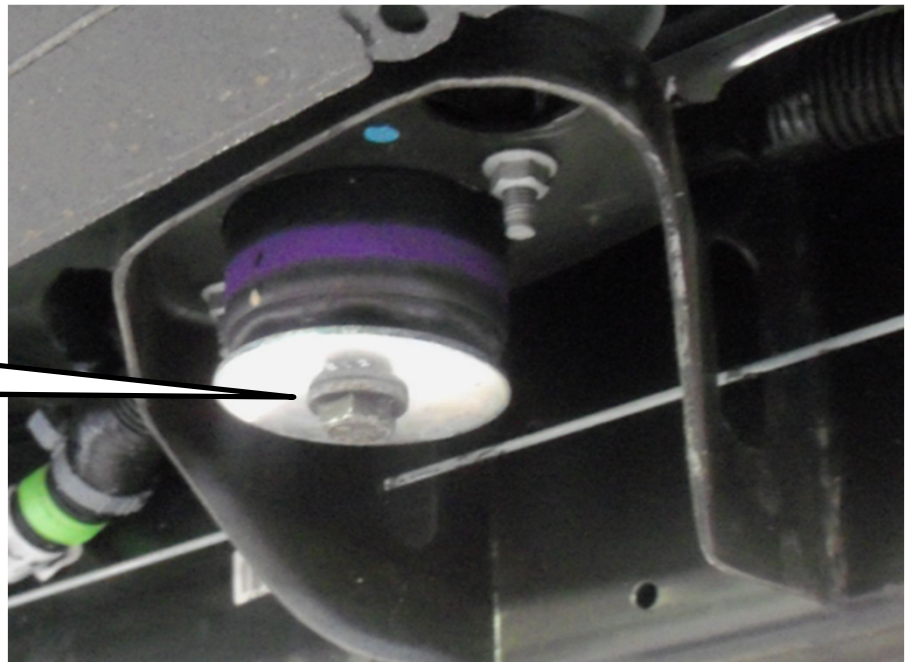
2

Remove the bolt from the body shock mount at each of the mounting locations using a 21mm socket.

IMPORTANT ALERT: GM uses a very strong thread-locking compound on all body bolts. Use of an air assisted impact ratchet can cause damage to the threads on factory body mount bolts and the internal nut assembly because of this thread locking compound.

We only recommend the use of hand tools to slowly remove and reinstall body mount bolts on all GM vehicles.

**REMOVE
BOLT**

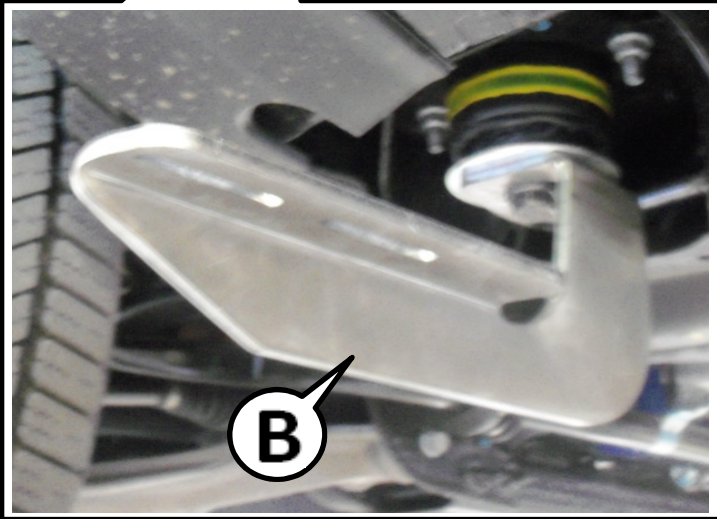
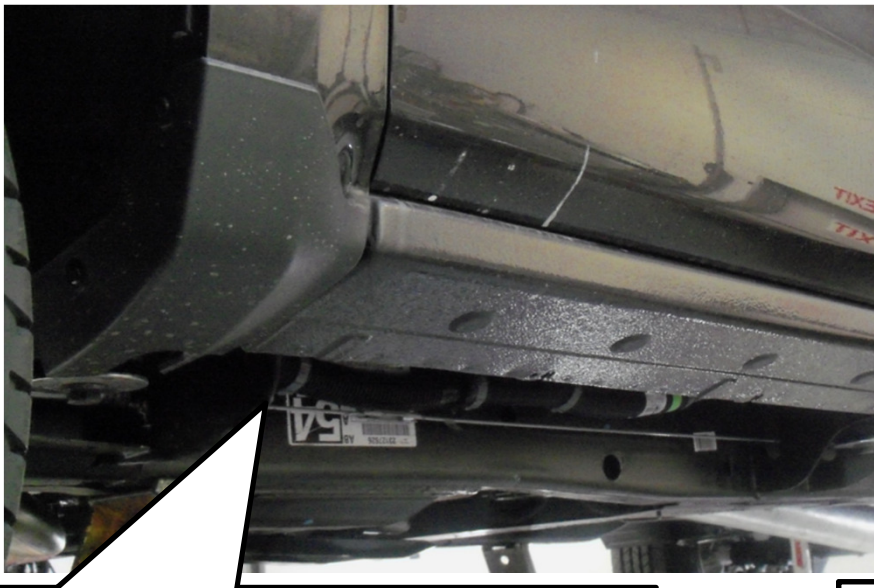
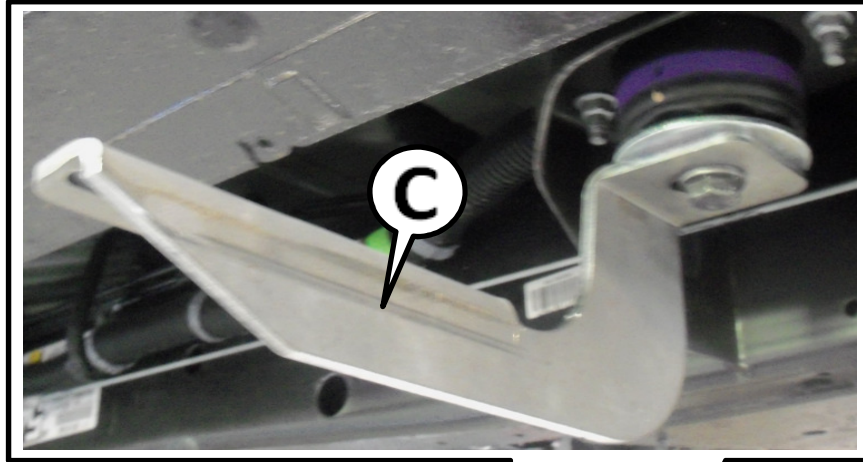


3 Put the body shock mount bolt through the hole in the brace and thread it back into the body shock mount. Align the braces so that they are perpendicular to the side of the vehicle. Tighten the bolts to 44 ft-lbs plus another half turn.

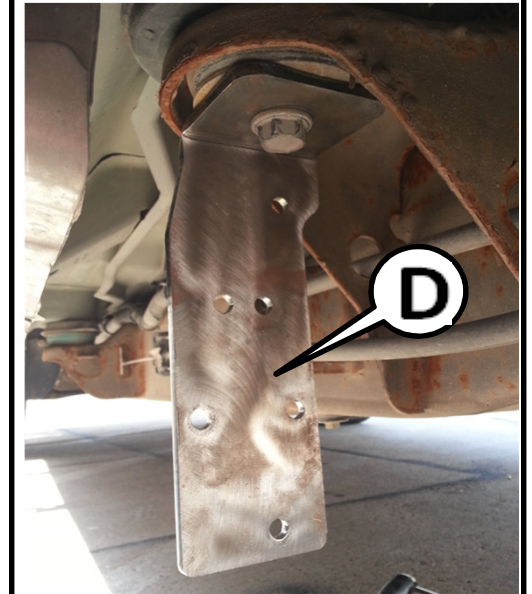
The driver's side is shown. The front of the vehicle is to the left of the pictures.

MIDDLE

For regular cabs, brace[C] is the rear brace.



FRONT



REAR

For extended and crew cab only.

4

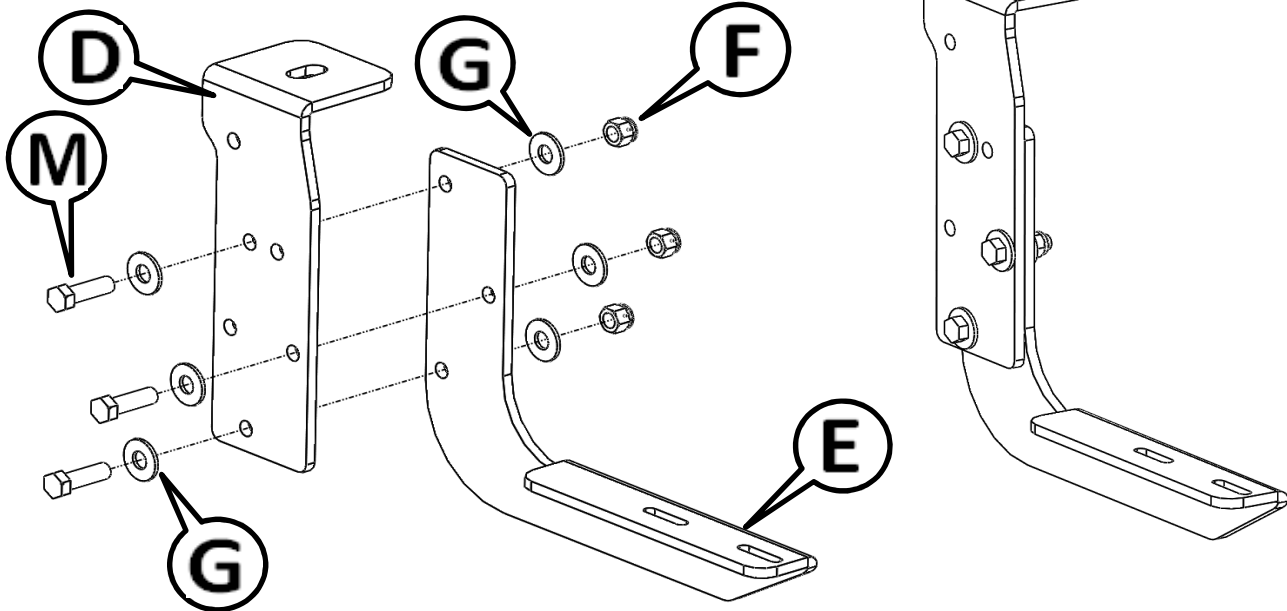
If you are installing this board on a regular cab, please skip to Step 5.

FOR EXTENDED CAB:

Driver's side rear location shown.

Attach brace [E] to brace [D] that was installed in the rear mounting location using three 3/8" bolts [M], six 3/8" washers [G], and three 3/8" lock nuts [F] as shown below.

Do not completely tighten the bolts at this time.

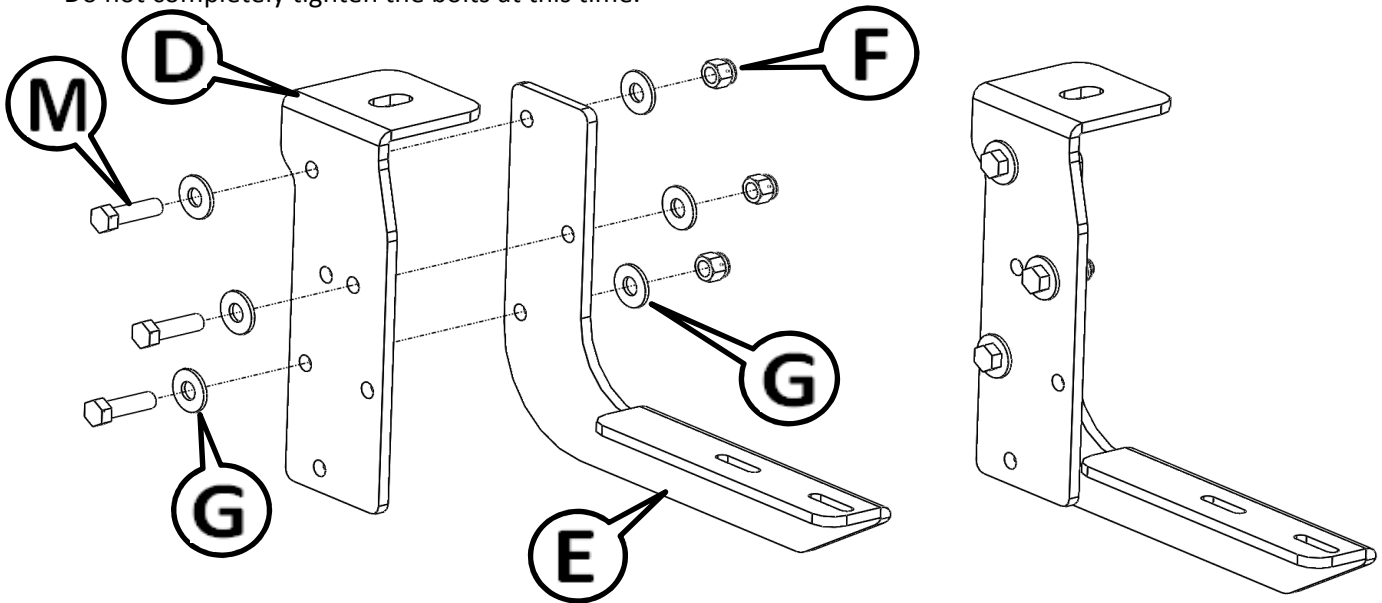


FOR CREW CAB:

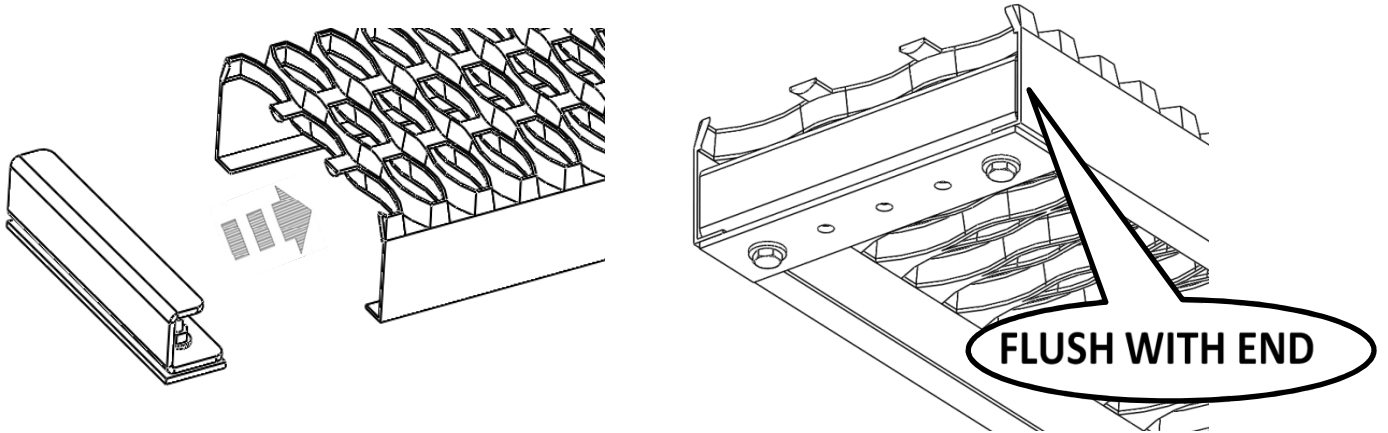
Driver's side rear location shown.

Attach brace [E] to brace [D] using three 3/8" bolts [M], six 3/8" washers [G], and three 3/8" lock nuts [F] as shown below.

Do not completely tighten the bolts at this time.



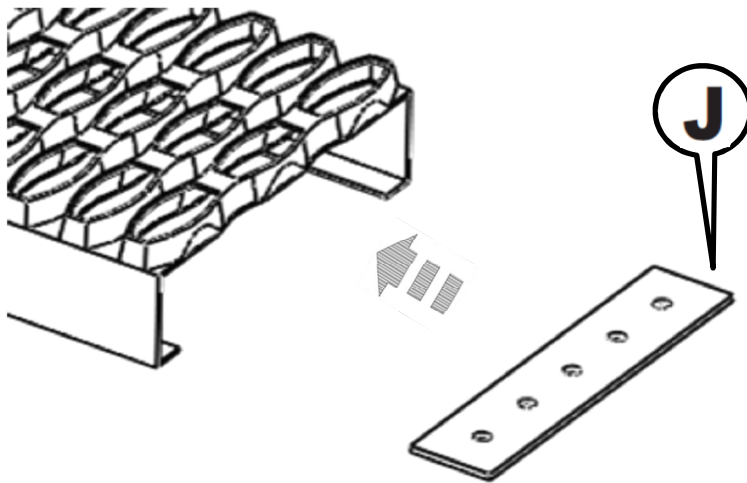
- 6** Slide the pre-assembled end cap into the end of the board [A] until the end cap is flush with the end of the board. The end cap must be inside the board and the strap bracket outside the board. Tighten the bolts with a 7/16" wrench and socket.



DO NOT INSTALL THE END CAP ON THE OTHER END OF THE BOARD UNTIL COMPLETING THE NEXT STEP.

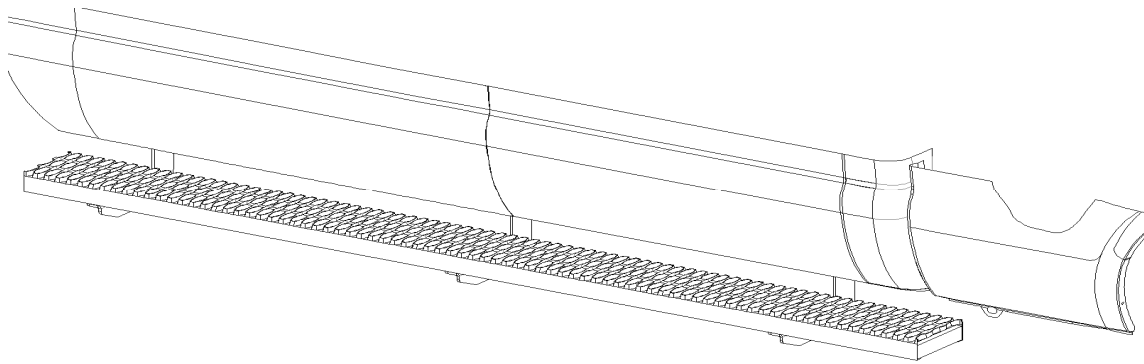
If you do not have the end caps already assembled, refer to the instructions included with the running boards.

- 7** Before attaching the end cap on the other end of the board, slide the strap brackets into the open end of the board. If your application uses 2 braces per side, insert 2 strap brackets [J]. If your application uses 3 braces per side, insert 3 strap brackets [J].



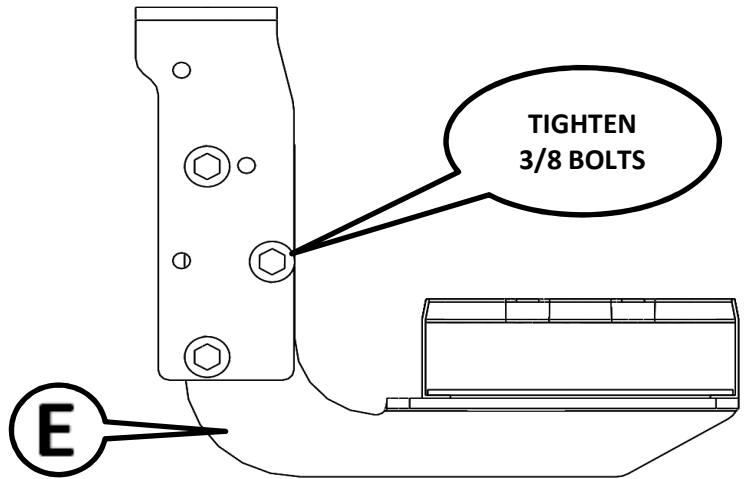
Once the strap brackets are in the board, attach the other end cap.

8 Place the running board on the braces.



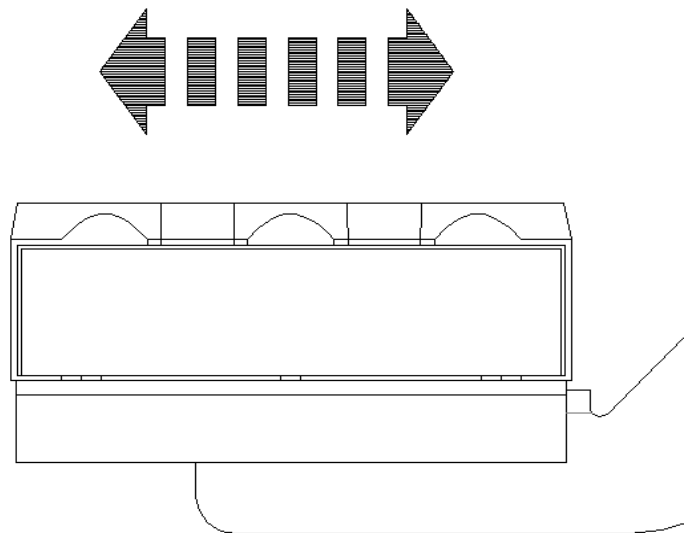
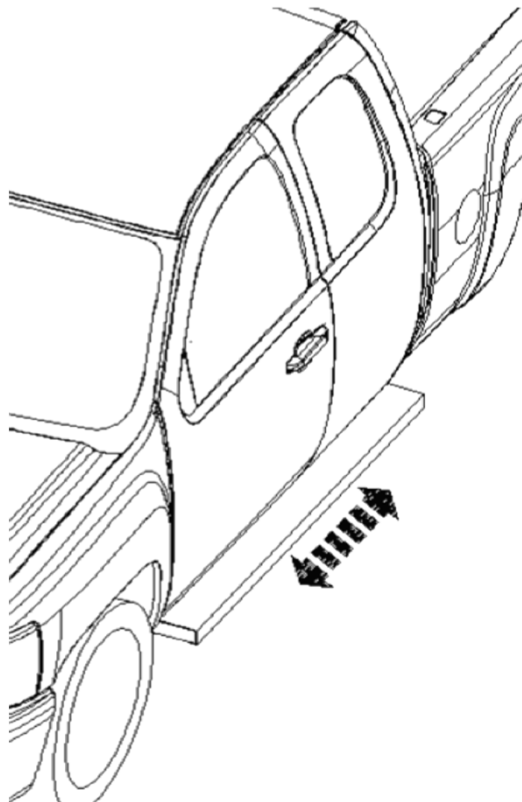
FOR EXTENDED AND CREW CAB:

Once the board has been placed on the braces, line up brace [E] with the bottom of the board and tighten the 3/8" bolts with a 9/16" wrench/socket.



9 Adjust the board front to back and side to side to get the board in the desired location.

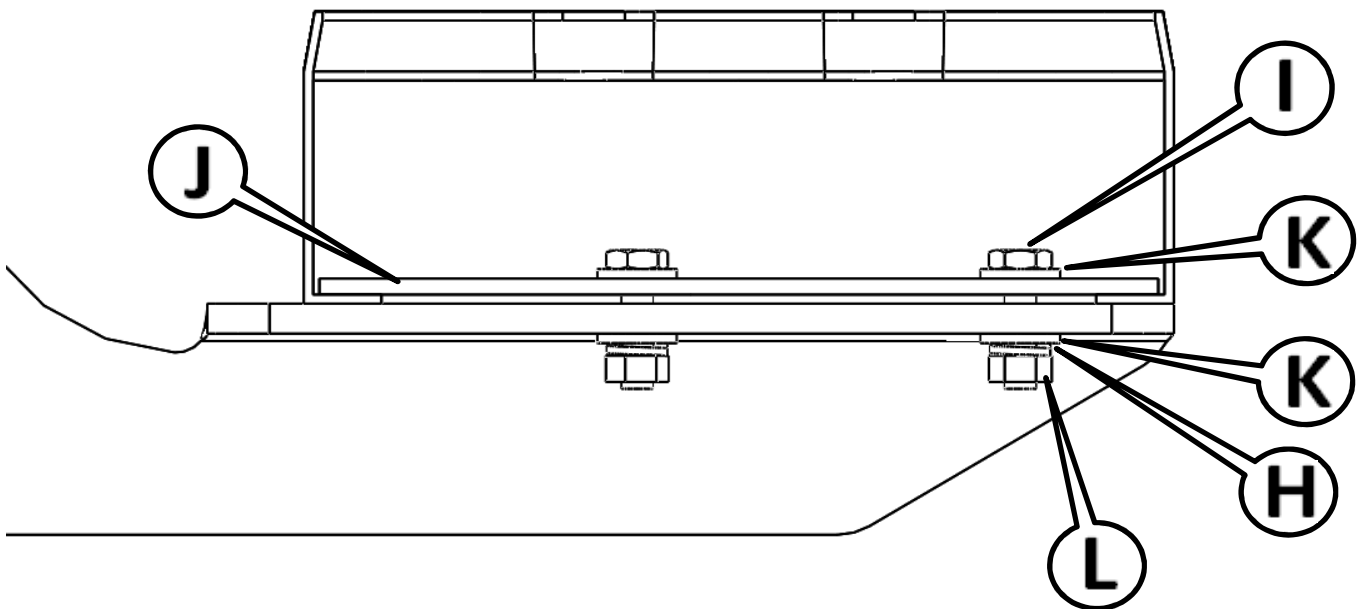
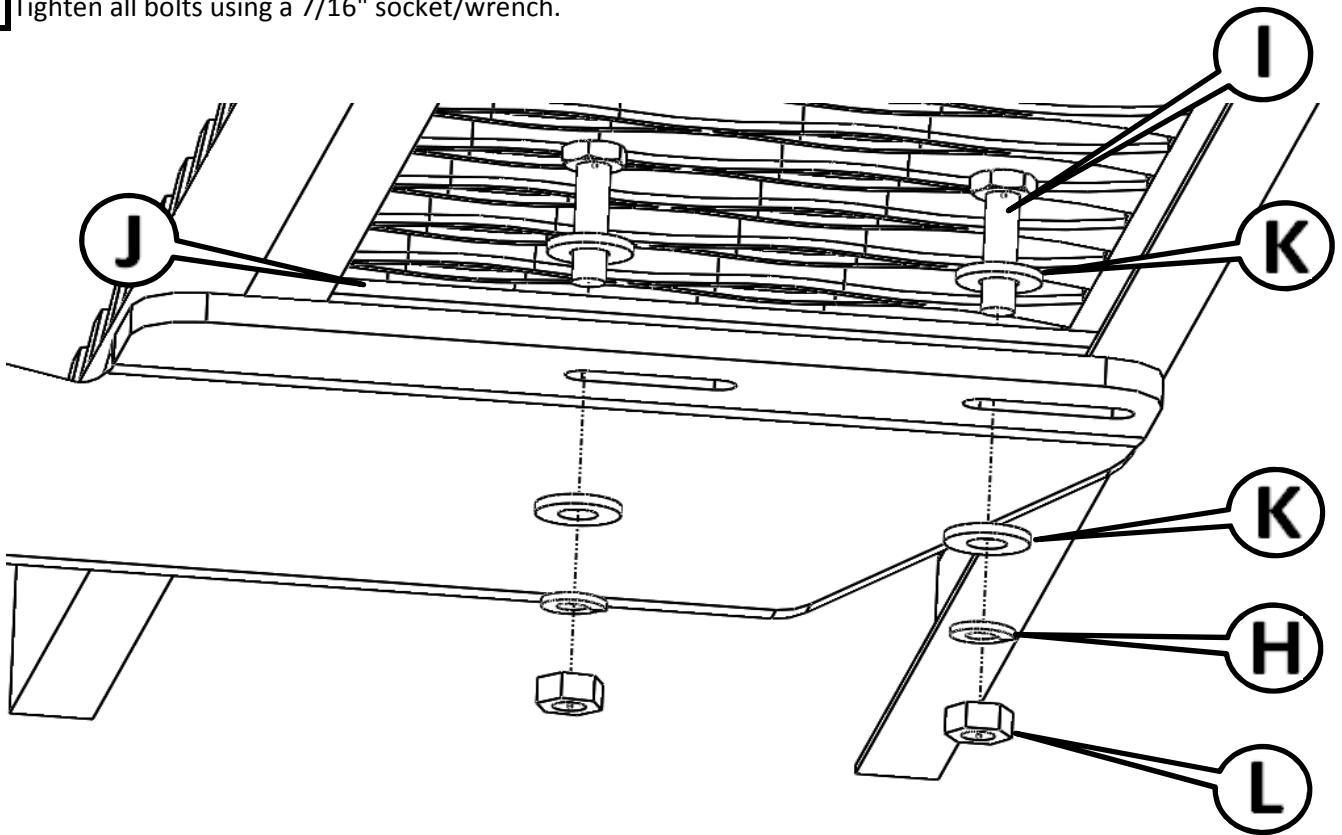
Align the strap brackets [J] that were installed in Step 4 with the main braces.



9

Attach the board to the brace using the 1/4" bolt [I], washers [K], lock washer [H], and nut [L].

Tighten all bolts using a 7/16" socket/wrench.



Check all hardware to make sure it has been tightened.
Repeat the assembly steps for the other side of the vehicle.