



PIT BOSS



®

MODEL / MODÈLE / MODELO: PB700FB
PART / PIÈCE / PARTE: 10660

700FB

**WOOD PELLET
GRILL & SMOKER**

IMPORTANT, READ CAREFULLY, RETAIN FOR FUTURE REFERENCE. MANUAL MUST BE READ BEFORE OPERATING!

**GRIL & FUMOIR À
GRANULES DE BOIS**

IMPORTANT, PRENEZ CONNAISSANCE DE CE DOCUMENT ET CONSERVEZ-LE POUR RÉFÉRENCE ULTÉRIEURE VOUS DEVEZ LIRE CE GUIDE AVANT D'UTILISER LE BARBECUE !

**ASADOR Y AHUMADOR
DE PELLETS DE MADERA**

IMPORTANTE, LEA DETENIDAMENTE, CONSERVE PARA REFERENCIA FUTURA. ¡DEBE LEER EL MANUAL ANTES DE LA OPERACIÓN!



ASSEMBLY AND OPERATION | ASSEMBLAGE ET FONCTIONNEMENT | MONTAJE Y OPERACIÓN

WARNING: Please read the entire manual before installation and use of this electric, pellet fuel-burning appliance. Failure to follow these instructions could result in property damage, bodily injury or even death. Contact local building or fire officials about restrictions and installation inspection requirements in your area.

AVERTISSEMENT : Veuillez lire l'intégralité du manuel avant l'installation et l'utilisation de cet appareil électronique à granules. Le non-respect de ces instructions peut entraîner des dommages aux biens, des blessures ou même la mort. Communiquez avec les autorités locales en matière d'incendie et de bâtiment concernant les restrictions et les exigences d'installation dans votre région.

ADVERTENCIA: Lea el manual completo antes de instalar y utilizar este aparato eléctrico para quemar pellets de combustible. Incumplir estas instrucciones podría causar daños materiales, lesiones corporales, e incluso la muerte. Consulte a sus funcionarios locales de construcción y control de incendios para informarse sobre las restricciones y los requisitos de inspección de instalaciones en su región.



**RECIPES INCLUDED
RECETTES INCLUSES
RECETAS INCLUIDAS**

FOR OUTDOOR AND HOUSEHOLD USE ONLY. NOT FOR COMMERCIAL USE.
RÉSERVÉ À L'USAGE EXTÉRIEUR ET RÉSIDENIEL UNIQUEMENT. NON DESTINÉ À UN USAGE COMMERCIAL.
SOLO PARA USO EN EXTERIORES Y EN EL HOGAR. NO ES PARA USO COMERCIAL.

SAFETY INFORMATION

MAJOR CAUSES OF APPLIANCE FIRES ARE A RESULT OF POOR MAINTENANCE AND A FAILURE TO MAINTAIN REQUIRED CLEARANCE TO COMBUSTIBLE MATERIALS. IT IS OF UTMOST IMPORTANCE THAT THIS PRODUCT BE USED ONLY IN ACCORDANCE TO THE FOLLOWING INSTRUCTIONS.

Please read and understand this entire manual before attempting to assemble, operate or install the product. This will ensure you receive the most enjoyable and trouble-free operation of your new wood pellet grill. We also advise you retain this manual for future reference.

DANGERS AND WARNINGS

You must contact your local home association, building or fire officials, or authority having jurisdiction, to obtain the necessary permits, mission or information on any installation restrictions, such as any grill being installed on a combustible surface, inspection requirements or even ability to use, in your area.

1. A minimum clearance of 305mm (12 inches) from combustible constructions to the sides of the grill, and 305mm (12 inches) from the back of the grill to combustible constructions must be maintained. **Do not install appliance on combustible floors, or floors protected with combustible surfaces unless proper permits and permissions are obtained by authorities having jurisdiction.** Do not use this appliance indoors or in an enclosed, unventilated area. This wood pellet appliance must not be placed under overhead combustible ceiling or overhang. Keep your grill in an area clear and free from combustible materials, gasoline and other flammable vapors and liquids.

Should a grease fire occur, turn the grill OFF and leave the lid closed until the fire is out. Do not unplug the power cord. Do not throw water on the unit. Do not try to smother the fire. Use of an all-class (class ABC) approved fire extinguisher is valuable to keep on site. If an uncontrolled fire does occur, call the Fire Department.

2. Keep electrical supply cords and the fuel away from heated surfaces. Do not use your grill in the rain or around any water source.
3. After a period of storage, or non-use, check the burn pot for obstructions, the hopper for foreign objects, and any air blockage around the fan intake or rear barrel exhaust holes. Clean before use. Regular care and maintenance is required to prolong the lifespan of your unit. **If the grill is stored outside during the rainy season or seasons of high humidity, care should be taken to insure that water does not get into the hopper.** When wet or exposed to high humidity, wood pellets will expand greatly, decompose, and may jam the feed system. Always disconnect the power, before performing any service or maintenance.

Do not transport your grill while in use or while the grill is hot. Ensure the fire is completely out and that the grill is completely cool to the touch before moving.

4. It is recommended to use heat-resistant barbecue mitts or gloves when operating the grill. Do not use accessories not specified for use with this appliance. Do not put a barbecue cover or anything flammable in the storage space area under the barbecue.
5. To prevent fingers, clothing or other objects from coming in contact with the auger feed system, the appliance is equipped with a metal safety screen, mounted to the interior of the hopper. This screen must not be removed unless directed by Customer Service or an authorized dealer.

This appliance is not recommended for children, persons with reduced physical, sensory or mental capabilities, or lack of experience and knowledge, unless they are under direct supervision or instruction by a person responsible for their safety.

6. Parts of the barbecue may be very hot, and serious injury may occur. Keep young children and pets away while in use.

7. Do not enlarge igniter holes or fire pots. Failure to follow this warning could lead to a fire hazard and bodily harm and will void your warranty.
8. Product may have sharp edges or points. Contact may result in injury. Handle with care.

DISPOSAL OF ASHES

Ashes should be placed in a metal container with a tight-fitting lid. The closed container of ashes should be placed on a non-combustible floor or on the ground, well away from all combustible materials, pending final disposal. When ashes are disposed by burial in soil, or otherwise locally dispersed, they should be retained in a closed container until all cinders have thoroughly cooled.

WOOD PELLET FUEL

This pellet cooking appliance is designed and approved for pelletized, all natural, wood fuel only. Any other type of fuel burned in this appliance will void the warranty and safety listing. You must only use all natural wood pellets, designed for burning in pellet barbecue grills. Do not use fuel with additives.

Do not use spirit, petrol, gasoline, lighter-fluid or kerosene for lighting or refreshing a fire in your grill. Keep all such liquids well away from the appliance when in use.

At this time, there is no industry standard for barbecue wood pellets, although most pellet mills use the same standards to make wood pellets for domestic use. Further information, can be found at www.pelletheat.org or the **Pellet Fuel Institute**.

Contact your local dealer on the quality of pellets in your area, and for information on brand quality. As there is no control over the quality of pellets used, we assume no responsibility to damage caused by poor quality of fuel.

CREOSOTE

Creosote, or soot, is a tar-like substance. When burning, it produces black smoke with a residue which is also black in color. Soot or creosote is formed when the appliance is operated incorrectly, such as: blockage of the combustion fan, failure to clean and maintain the burn area, or poor air-to-fuel combustion.

It is dangerous to operate this appliance should the flame become dark, sooty, or if the fire pot is overfilled with pellets. When ignited, this creosote makes an extremely hot and uncontrolled fire, similar to a grease fire. Should this happen, turn the unit OFF, let it cool completely, then inspect for maintenance and cleaning. It commonly accumulates along exhaust areas.

If creosote has formed within the unit; allow the unit to warm up at a low temperature, turn off the appliance, then wipe away any formation with a hand towel. Similar to tar, it is much easier to clean when warm, as it becomes liquid.

CARBON MONOXIDE ("THE SILENT KILLER")

Carbon monoxide is a colorless, odorless, tasteless gas produced by burning gas, wood, propane, charcoal or other fuel. Carbon monoxide reduces the blood's ability to carry oxygen. Low blood oxygen levels can result in headaches, dizziness, weakness, nausea, vomiting, sleepiness, confusion, loss of consciousness or death. Follow these guidelines to prevent this colorless, odorless gas from poisoning you, your family, or others:

- See a doctor if you or others develop cold or flu-like symptoms while cooking or in the vicinity of the appliance. Carbon monoxide poisoning, which can easily be mistaken for a cold or flu, is often detected too late.
- Alcohol consumption and drug use increase the effects of carbon monoxide poisoning.

Carbon monoxide is especially toxic to mother and child during pregnancy, infants, the elderly, smokers, and people with blood or circulatory system problems, such as anemia, or heart disease.

SAFETY LISTING

In accordance with the procedures and specifications listed in the UL SUBJECT 2728-2009 "pellet fuel cooking appliances" and ULC/ORD C272 and CANADIAN CSA C22.2 #3 "for electrical features of fuel burning equipment." Pit Boss Grills pellet cooking appliances have been independently tested and listed by INTERTEK (an accredited testing laboratory) to ETL, UL, ULC and CSA standards.





COPYRIGHT NOTICE

Copyright 2019. All right reserved. No part of this manual may be copied, transmitted, transcribed, stored in a retrieval system, in any form or by any means without expressed written permission of,

Dansons

3411 North 5th Avenue, Suite 500, Phoenix, AZ, USA 85013

sales@pitboss-grills.com | service@pitboss-grills.com

www.pitboss-grills.com

Customer Service

Monday through Sunday, 4am - 8pm PST (EN/FR/ES)

Toll-Free: 1-877-303-3134, Fax: 1-877-303-3135

TABLE OF CONTENTS

| | | | |
|---|----|----------------------------------|----|
| Safety Information | 2 | Care & Maintenance | 16 |
| Parts & Specs..... | 6 | Using Wood Pellet Fuel..... | 17 |
| Assembly Preparation..... | 7 | Cooking Guidelines..... | 17 |
| Assembly Instructions | | Tips & Techniques | 19 |
| Mounting Legs To Main Barrel | 7 | Troubleshooting | 20 |
| Mounting The Wheels To The Legs | 8 | Electrical Wire Diagram | 22 |
| Installing The Bottom Shelf | 8 | Replacement Parts | |
| Securing The Lid Stopper | 8 | Grill Replacement Parts | 23 |
| Assembling The Lid Handle..... | 8 | Hopper Replacement Parts..... | 24 |
| Installing The Thermometer | 9 | Warranty | |
| Placing The Grease Bucket..... | 9 | Conditions..... | 24 |
| Installing The Cooking Components | 9 | Exceptions..... | 25 |
| Connecting To A Power Source..... | 10 | Ordering Replacement Parts | 25 |
| Operating Instructions | | Contact Customer Service | 25 |
| Grill Environment | 11 | Warranty Service | 25 |
| Grill Temperature Ranges..... | 12 | Accessories Sold Separately..... | 26 |
| Understanding The Control Board | 13 | Recipes | 27 |
| Understanding The "P" Setting | 14 | | |
| Hopper Priming Procedure | 14 | | |
| First Use – Grill Burn-Off..... | 14 | | |
| Automatic Start-Up Procedure..... | 15 | | |
| Manual Start-Up Procedure | 15 | | |
| Shutting Off Your Smoker | 15 | | |

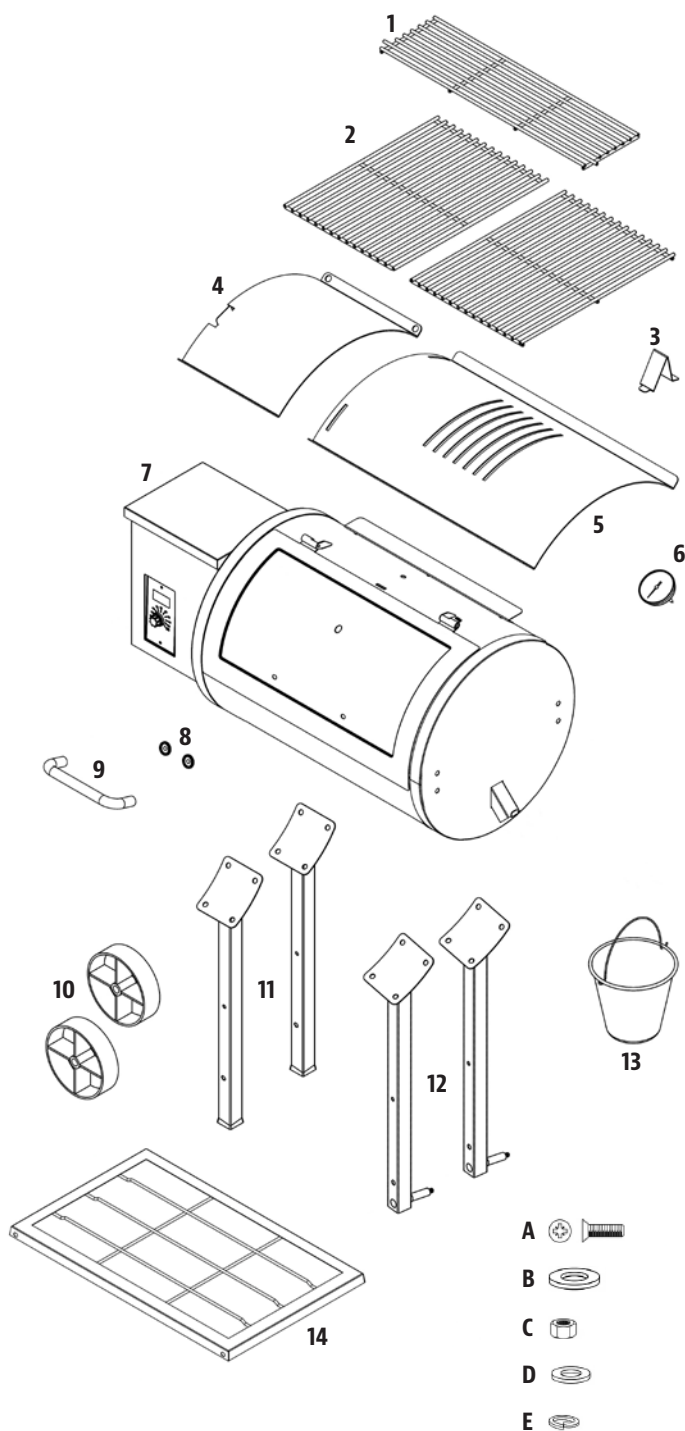
PARTS & SPECS

ENGLISH

| Part# | Description |
|-------|---|
| 1 | Porcelain-Coated Steel Upper Cooking Rack |
| 2 | Porcelain-Coated Cast-Iron Cooking Grids (x2) |
| 3 | Lid Stopper |
| 4 | Flame Broiler Slider |
| 5 | Flame Broiler Main Plate |
| 6 | Thermometer |
| 7 | Main Barrel and Hopper Assembly |
| 8 | Bezel (x2) |
| 9 | Lid Handle |
| 10 | Metal Wheels (x2) |
| 11 | Stationary Leg (x2) |
| 12 | Leg with Wheel Axle (x2) |
| 13 | Grease Bucket |
| 14 | Bottom Shelf |
| A | Screw (x20) |
| B | Washer (x2) |
| C | Lock Nut (x2) |
| D | Washer (x20) |
| E | Locking Washer (x20) |

NOTE: Due to ongoing product development, parts are subject to change without notice. Contact Customer Service if parts are missing when assembling the unit.

PB – ELECTRIC REQUIREMENTS
110-120V, 60HZ, 275W, 3-PRONG GROUNDED PLUG



| MODEL | UNIT ASSEMBLED (WxHxD) | UNIT WEIGHT | COOKING AREA | TEMP. RANGE | DIGITAL FEATURES |
|------------|--|-----------------------|---|-------------------------|--|
| PB PB700FB | 1,049mm x 1,112mm x 678mm / 41.2" x 43.7" x 26.6" | 54.4 kg / 120.0 lb | Main - 3,271 cm ² / 507 sq. in. Upper Rack - 1,245 cm ² / 193 sq. in. TOTAL - 4,516 cm ² / 700 sq. in. | 82-260°C / 180-500°F | Eight temperature presets, start-up and cool-down cycles, electric igniter |

ASSEMBLY PREPARATION

Parts are located throughout the shipping carton, including underneath the grill. Inspect the grill, parts, and hardware blister pack after removing from the protective shipping carton. Before assembly of product, review all parts and reference the parts list. If any part is missing or damaged, do not attempt to assemble. Shipping damage is not covered under warranty. Contact your dealer or Pit Boss Customer Service for parts: Monday through Sunday, 4am - 8pm PST (EN/FR/ES).

service@pitboss-grills.com | Toll-Free: 1-877-303-3134 | Toll-Free Fax: 1-877-303-3135

IMPORTANT: To ease installation, using two people is helpful (but not necessary) when assembling this unit.

Tools required for assembly: screwdriver, wrench and level. *Tools not included.*



ENGLISH

ASSEMBLY INSTRUCTIONS

IMPORTANT: It is advised to read each step entirely before starting assembly on instructions. Do not tighten screws completely until all screws for that step have been installed. Hardware combination involving a locking washer and washer should be installed with the locking washer closest to the head of the screw.

1. MOUNTING THE LEGS TO MAIN BARREL

Parts Required:

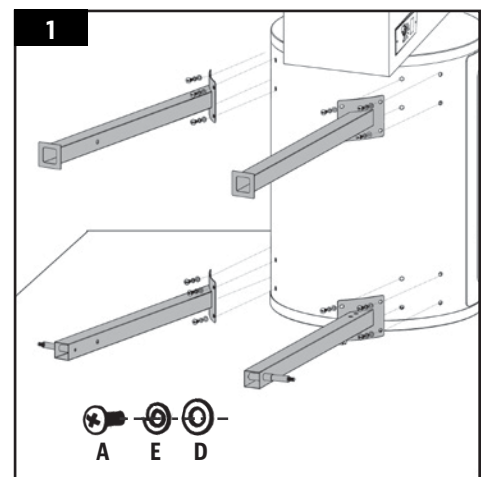
- 1 x Main Barrel (#7)
- 2 x Stationary Leg (#11)
- 2 x Leg with Wheel Axle (#12)
- 16 x Screw (#A)
- 16 x Locking Washer (#E)
- 16 x Washer (#D)

Installation:

- Place a piece of cardboard on the floor to prevent scratching the unit. Lay the main barrel on its side, hopper end pointed upward, on the cardboard. Note illustration.
- Mount one leg with wheel axle to the floor end of the main barrel using four screws, locking washers, and washers, through the four pre-drilled holes. Repeat installation for second leg with wheel axle.

NOTE: The two holes on the other leg remain unused.

- Mount one stationary leg to the hopper end of the main barrel using four screws, locking washers, and washers, through the four pre-drilled holes. Repeat installation for second stationary leg.



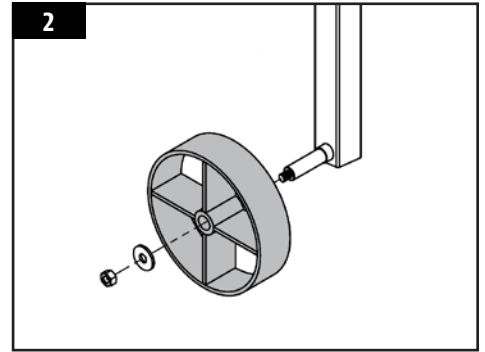
2. MOUNTING THE WHEELS TO THE LEGS

Parts Required:

- 2 x Metal Wheel (#7)
- 2 x Washer (#B)
- 2 x Nut (#C)

Installation:

- Slide a metal wheel onto each leg with wheel axle. Secure using a washer and a nut. Spin each wheel to ensure the wheels turn freely.



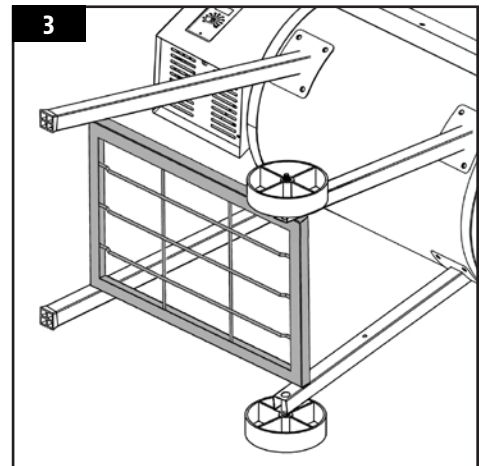
3. INSTALLING THE BOTTOM SHELF

Parts Required:

- 1 x Bottom Shelf (#14)
- 4 x Screw (#A)
- 4 x Locking Washer (#D)
- 4 x Washer (#E)

Installation:

- From underneath, secure the bottom shelf to all each leg using a screw, locking washer, and washer. Ensure the flat surface of the shelf is facing up.
- Once the shelf is secure, carefully lift the grill into an upright position.



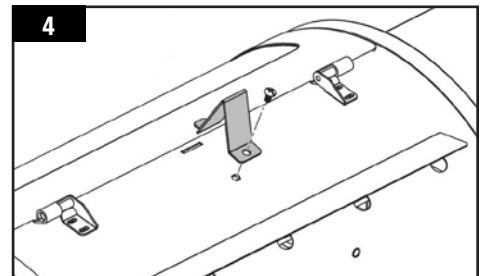
4. SECURING THE LID STOPPER

Parts Required:

- 1 x Lid Stopper (#3)

Installation:

- Secure the lid stopper onto the top of the main barrel using the pre-installed screw on the top of the main barrel.



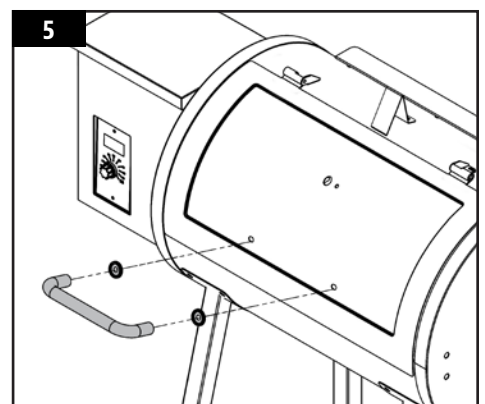
5. ASSEMBLING THE LID HANDLE

Parts Required:

- 1 x Lid Handle (#9)
- 2 x Bezel (#8)

Installation:

- Remove the pre-installed screws from the lid handle. From inside the barrel lid, insert one screw to protrude to the outside. Add a bezel on the screw, then hand-tighten the screw (from the inside) into the lid handle.
- Repeat same installation for other end of lid handle.



6. INSTALLING THE THERMOMETER

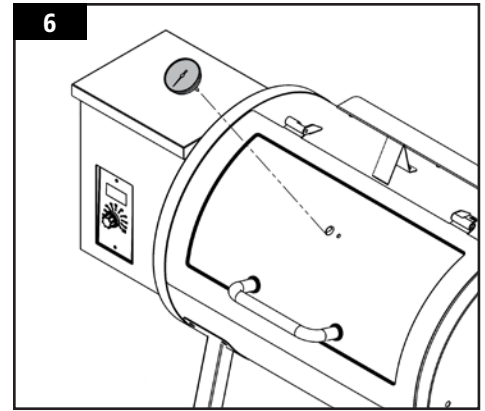
Parts Required:

- 1 x Thermometer (#6)

Installation:

- Remove the pre-installed nut from the thermometer.
- Insert the thermometer into the hole provided on the top of the lid on the main barrel, then secure by re-installing the nut from the inside. Rotate the thermometer so the text is level and upright.

NOTE: If rotation is askew, this will result in incorrect readings.



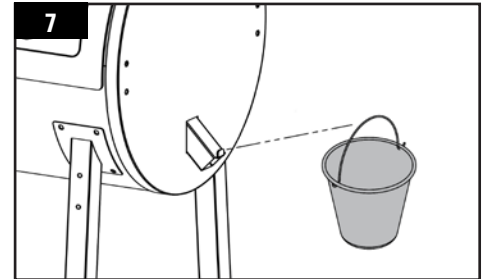
7. PLACING THE GREASE BUCKET

Parts Required:

- 1 x Grease Bucket (#13)

Installation:

- Place the grease bucket on the spout hook on the end of the main barrel. Ensure it is level to avoid grease spills.



8. INSTALLING THE COOKING COMPONENTS

Parts Required:

- 2 x Cooking Grids (#2)
- 1 x Upper Cooking Rack (#1)
- 1 x Flame Broiler Main Plate (#5)
- 1 x Flame Broiler Slider (#4)

Installation:

NOTE: Both flame broiler parts are lightly coated with oil to avoid rusting when shipped.

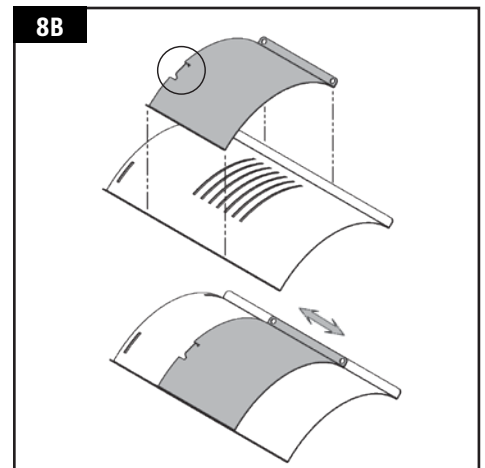
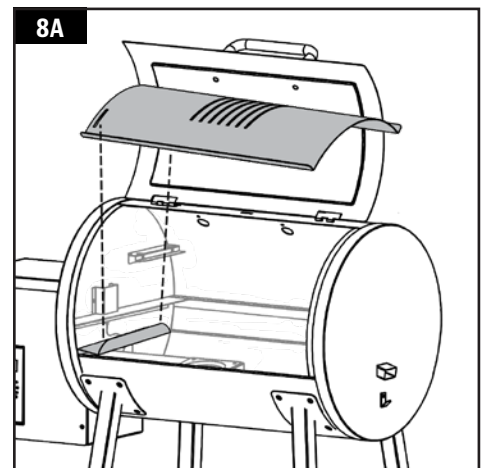
- Insert the flame broiler main plate into the main grill, right side first. Rest the flame broiler main plate on the built-in ledge (on the inside right) of the main grill that directs grease towards the grease bucket. Slide the entire piece to the left side, and the two slots on the flame broiler main plate will fit into the rounded ledge above the fire pot. It will sit slightly at a downward angle. Note 8A.

IMPORTANT: If the flame broiler main plate is on the base of the barrel, it is installed incorrectly. The flame broiler should sit at an angle, with the left side sitting higher than the right.

- Place the flame broiler slider on top of the flame broiler main plate, covering the slotted openings. Ensure the raised tab is on the left, to easily adjust for direct or indirect flame when cooking. Note illustration 8B.

NOTE: When the flame broiler slider is open and direct flame is used during cooking, do not leave the grill unattended for any period of time.

- Place the cooking grids, side-by-side, on the grid ledge inside the main grill. Place the upper cooking rack on the upper ledge inside the main grill. The cooking rack will lock into place.
- The unit is now completely assembled.



NOTE: To maintain the searing and grilling performance of your cooking grids, regular care and maintenance is required.

9. CONNECTING TO A POWER SOURCE

NOTE: Before plugging your Pit Boss into any electrical outlet, ensure the Temperature Control Dial is in the SMOKE position.

- **STANDARD OUTLET**

This appliance requires 110 volt, 60hz, 250w, 5 amp service. It must be a 3-prong grounded plug. Ensure grounded end is not broken off before use. The control uses a 5 amp, 120 volt, fast-blow fuse to protect the board from the igniter.

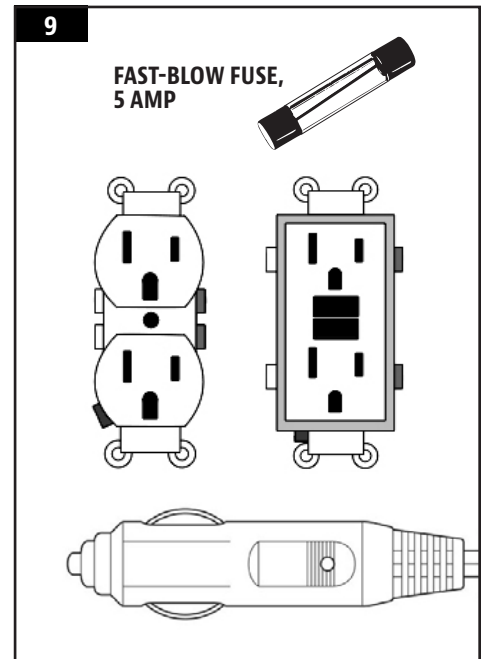
- **GFCI OUTLETS**

This appliance will work on most GFCI outlets, with a recommended size of 15 amp service. If your GFCI outlet is highly sensitive to power surges, it will likely trip during the start-up phase of operation. During the start-up phase, the igniter draws 200-700 watts of electricity which can be too much power for a GFCI outlet to handle. The quality of the GFCI does not matter, but rather the sensitivity; each time it trips, it increases in sensitivity. If the GFCI keeps tripping, replace the outlet or change to a non-GFCI outlet.

- **ON THE ROAD**

Disconnect the igniter from the main wiring harness. Use the manual start-up procedure. A Pit Boss unit can operate using a 12 volt, 100 watt inverter plugged into your automobile outlet. To use the automatic igniter, it is recommended to use a minimum of a 1000 watt inverter.

IMPORTANT: Disconnect unit from power source when not in use.



OPERATING INSTRUCTIONS

With today's lifestyle of striving to eat healthy and nutritious foods, one factor to consider is the importance of reducing fat intake. One of the best ways to cut down on fat in your diet is to use a low fat method of cooking, such as grilling. As a pellet grill uses natural wood pellets, the savory wood flavor is cooked into the meats, reducing the need for high sugar content sauces. Throughout this manual, you will notice the emphasis on grilling food slowly at LOW or MEDIUM temperature settings.

GRILL ENVIRONMENT

1. WHERE TO SET-UP THE GRILL

With all outdoor appliances, outside weather conditions play a big part in the performance of your grill and the cooking time needed to perfect your meals. The Pit Boss, because of its single wall construction, should be considered as a 2 to 3 season grill, depending on where you live.

All Pit Boss units should keep a minimum clearance of 305mm (12 inches) from combustible constructions, and this clearance must be maintained while the grill is operational. This appliance must not be placed under overhead combustible ceiling or overhang. Keep your grill in an area clear from combustible materials, gasoline and other flammable vapors and liquids.

2. COLD WEATHER COOKING

As it becomes cooler outside, that does not mean that grilling season is over! The crisp cool air and heavenly aroma of smoked foods will help cure your winter blues.

Follow these suggestions on how to enjoy your grill throughout the cooler months:

- If smoking at low temperatures fails, increase the temperature slightly to achieve the same results.
- Organize – Get everything you require ready in the kitchen before you head outdoors. During the winter, move your grill to an area that is out of the wind and direct cold. Check local bylaws regarding the proximity of your grill in relation to your home and/or other structures. Put everything you need on a tray, bundle up tight, and get it done!
- To help keep track of the outside temperature, place an outdoor thermometer close to your cooking area. Keep a log or history of what you cooked, the outdoor temperature, and the cooking time. This will help later down the road to help you determine what to cook and how long it will take.
- In very cold weather, increase your preheating time by at least 20 minutes.
- Avoid lifting the lid any more than necessary. Cold gusts of wind can completely cool your grill temperature. Be flexible with your serving time; add extra cooking time each time you open the lid.
- Have a heated platter or a dish cover ready to keep your food warm while making the trip back inside.
- Ideal foods for winter cooking are those that require little attention, such as roasts, whole chickens, ribs, and turkey. Make your meal preparation even easier by adding simple items such as vegetables and potatoes.

3. HOT WEATHER COOKING

As it becomes warmer outdoors, the cooking time will decrease. Proper dress is important when it gets really hot: shorts, shirt, shoes, hat, apron and a generous slab of suntan lotion is recommended.

Follow these few suggestions on how to enjoy your grill throughout the hot months:

- Adjust your cooking temperatures downward. This helps to avoid unwanted flare-ups.
- Use a meat thermometer to determine the internal temperature of your foods. This helps in preventing your meat from over cooking and drying out.
- Even in hot weather it is still better to cook with the lid of your grill down.
- You can keep foods hot by wrapping them in foil, and placing them in an insulated cooler. Stuff crumpled up newspaper around the foil and this will keep food hot for 3 to 4 hours.

GRILL TEMPERATURE RANGES

Temperature readouts on the control board may not exactly match the thermometer. All temperatures listed below are approximate and are affected by the following factors: outside ambient temperature, the amount and direction of wind, the quality of pellet fuel being used, the lid being opened, and the quantity of food being cooked.

- *HIGH TEMPERATURE (205-260°C / 401-500°F)*

This range is best used to sear and grill at a high heat. Use in tandem with the flame broiler (slide plate) for indirect or direct flame cooking. With the **flame broiler open**, direct flame is used to create those “blue” steaks, as well as flame-kissed vegetables, garlic toast or s’mores! When the **flame broiler is closed**, the air circulates around the barrel, resulting in convection heat. High temperature is also used to preheat your grill, burn-off the cooking grids, and to achieve high heat in extreme cold weather conditions.

- *MEDIUM TEMPERATURE (135-180°C / 275-356°F)*

This range is best for baking, roasting, and finishing off that slow smoked creation. Cooking at these temperatures will greatly reduce the chances of a grease flare-up. Ensure that the flame broiler slider is in the closed position, covering the slotted openings. Great range for cooking anything wrapped in bacon, or where you want versatility with control.

- *LOW TEMPERATURE (80-125°C / 176-257°F)*

This range is used to slow roast, increase smoky flavor, and to keep foods warm. Infuse more smoke flavor and keep your meats juicy by cooking longer at a lower temperature (also known as **low and slow**). Recommended for the big turkey at Thanksgiving, juicy ham at Easter, or the huge holiday feast.



Smoking is a variation on true barbecuing and is truly the main advantage of grilling on a wood pellet grill. **Hot smoking**, another name for **low and slow** cooking, is generally done between 80-125°C / 176-257°F. Hot smoking works best when longer cooking time is required, such as large cuts of meats, fish, or poultry.

TIP: To intensify that savory flavor, switch to SMOKE (low) temperature range immediately after putting your food on the grill. This allows the smoke to penetrate the meats.

The key is to experiment with the length of time you allow for smoking, before the meal is finished cooking. Some outdoor chefs prefer to smoke at the end of a cook, allowing the food to keep warm until ready to serve. Practice makes perfect!

UNDERSTANDING THE CONTROL BOARD



| FEATURE | DESCRIPTION | | | | | | | | | | | | | | | | | | |
|--|--|---------|-------------|-----|--------------------------------------|----------|--|--------------|------------------------------|---------|---|-----|--|-----|---------------------------|-----|--|-----|--|
|  <p>Off</p> | <p>The Temperature Control Dial allows you to set your desired smoking temperature. Rotate the knob to select from Smoke, any of the eight temperature presets, or High.</p> | | | | | | | | | | | | | | | | | | |
| <p>Smoke</p> | <p>The Smoke Setting on the Temperature Control Dial is the start-up mode for the unit. The grill operates at the lowest temperature, without the fire going out.</p> | | | | | | | | | | | | | | | | | | |
| <p>High</p> | <p>The High Setting on the Temperature Control Dial is the highest heat level for the unit. The grill operates at the highest temperature. When the lid is open, the grill will run at this speed to compensate for the loss of heat in the barrel.</p> | | | | | | | | | | | | | | | | | | |
|  | <p>The LED Screen is used as the information center for your unit. The LED screen will display your desired cook temperature (SET), actual cook temperature (ACTUAL), and the "P" setting selected ("P" SET). See Troubleshooting for more information on error codes.</p> | | | | | | | | | | | | | | | | | | |
| | <table border="1"> <thead> <tr> <th>READOUT</th> <th>DESCRIPTION</th> </tr> </thead> <tbody> <tr> <td>888</td> <td>Displays once connected to AC power.</td> </tr> <tr> <td>Flashing</td> <td>Grill temperature is below 66°C / 150°F.</td> </tr> <tr> <td>Flashing ...</td> <td>Indicates the igniter is on.</td> </tr> <tr> <td>"P" SET</td> <td>Indicates the current "P" setting selected.</td> </tr> <tr> <td>SET</td> <td>Indicates the desired cooking temperature.</td> </tr> <tr> <td>ErH</td> <td>The grill has overheated.</td> </tr> <tr> <td>ErR</td> <td>Temperature probe wire not connecting.</td> </tr> <tr> <td>ErP</td> <td>Power interruption while in operation.</td> </tr> </tbody> </table> | READOUT | DESCRIPTION | 888 | Displays once connected to AC power. | Flashing | Grill temperature is below 66°C / 150°F. | Flashing ... | Indicates the igniter is on. | "P" SET | Indicates the current "P" setting selected. | SET | Indicates the desired cooking temperature. | ErH | The grill has overheated. | ErR | Temperature probe wire not connecting. | ErP | Power interruption while in operation. |
| READOUT | DESCRIPTION | | | | | | | | | | | | | | | | | | |
| 888 | Displays once connected to AC power. | | | | | | | | | | | | | | | | | | |
| Flashing | Grill temperature is below 66°C / 150°F. | | | | | | | | | | | | | | | | | | |
| Flashing ... | Indicates the igniter is on. | | | | | | | | | | | | | | | | | | |
| "P" SET | Indicates the current "P" setting selected. | | | | | | | | | | | | | | | | | | |
| SET | Indicates the desired cooking temperature. | | | | | | | | | | | | | | | | | | |
| ErH | The grill has overheated. | | | | | | | | | | | | | | | | | | |
| ErR | Temperature probe wire not connecting. | | | | | | | | | | | | | | | | | | |
| ErP | Power interruption while in operation. | | | | | | | | | | | | | | | | | | |
| <p>"P" SET</p> | <p>The "P" SET Button is used to select one of the eight temperature fine tunings. Use this feature to change the "P" setting to accommodate to your cooking style and cooking environment, as preferred. With a <u>short push</u> of the recessed button, the setting increases from P0 to P7, then repeats. Adjustments are best made when the Temperature Control Dial is set to Smoke, which allows for manual control of the pellet feed system. Default setting is "P4".</p> | | | | | | | | | | | | | | | | | | |

ENGLISH

UNDERSTANDING THE "P" SETTING

When the recessed "P" SET button is pushed, the "P" setting displayed on the LCD screen will flash and change to the next value (upward). Once P7 is reached, it will restart at P0. There are eight "P" settings, ranging from P0 to P7. The recessed "P" SET button can be pushed using a thin-tipped object.

IMPORTANT: Do not push the "P" SET button too hard, as this may cause damage. Only a light push is needed.

- *USING THE "P" SETTING IN SMOKE MODE*

Anytime the temperature dial is set to SMOKE, such as the start-up cycle, the auger will run on more of a manual mode of cooking versus using one of the preset dial temperatures. First, the auger will continuously turn and feed pellets for four minutes. After four minutes, the auger begins to run a feed cycle based on the "P" setting selected on the Digital Control Board. The default setting is P4.

| "P" SET | AUGER CYCLE (seconds) | |
|------------|-----------------------|------------|
| | ON | OFF |
| P0 | 18 | 55 |
| P1 | 18 | 70 |
| P2 | 18 | 85 |
| P3 | 18 | 100 |
| *P4 | 18 | 115 |
| P5 | 18 | 130 |
| P6 | 18 | 140 |
| P7 | 18 | 150 |

**default setting*

HOPPER PRIMING PROCEDURE

These instructions should be followed the first time the grill is ignited, and each time the grill runs out of pellets in the hopper. The auger must be primed to allow pellets to travel through the length of the auger, and fill the fire pot. **If not primed, the igniter will timeout before the pellets are ignited, and no fire will start.** Follow these steps to prime the hopper:

1. Open the hopper lid. Make sure there are no foreign objects in the hopper or blocking the auger feed system at the bottom.
2. Remove all cooking components from the interior of the grill. Locate the fire pot in the bottom of the main barrel.
3. With the **Temperature Control Dial** to the Off position, plug the power cord into a power source.
4. Turn the **Temperature Control Dial** to the Smoke position. Check the following items:
 - That you can hear the auger turning. Place your hand above the fire pot and feel for air movement. Do not place your hand or fingers inside the fire pot. This can cause injury.
 - After approximately a minute, you should smell the igniter burning and begin to feel the air getting warmer in the fire pot. The igniter tip does not glow red, but gets extremely hot and will burn. Do not touch the igniter.
5. Once verified that all electric components are working correctly, turn the **Temperature Control Dial** to Off.
6. Fill the hopper with all natural barbecue wood pellets.
7. Turn the **Temperature Control Dial** to Smoke. Wait approximately 3 minutes for the pellets to start dropping into the fire pot from the auger tube. Once pellets begin to drop into the fire pot, turn the **Temperature Control Dial** to Off.
8. Re-install the cooking components into the main barrel. The grill is now ready to use. (See *Assembly Instructions* to ensure proper installation of cooking components.)

FIRST USE – GRILL BURN-OFF

Once your hopper has been primed and before cooking on your grill for the first time, it is important to complete a grill burn-off. Start the grill and operate at any temperature over 176°C / 350°F (with the lid down) for 30 to 40 minutes to burn-off the grill and rid it of any foreign matter.

AUTOMATIC START-UP PROCEDURE

1. Open the main barrel lid. Check the fire pot to ensure there is no obstruction for proper ignition. Open the hopper lid. Ensure there are no foreign objects in the hopper or auger feed system. Fill the hopper with dry, all natural barbecue hardwood pellets. Ensure the **Temperature Control Dial** is in the Off position. Plug the power cord into a grounded power source.
2. Turn the **Temperature Control Dial** to Smoke. This will activate the start-up cycle. This will activate the start-up cycle. The auger feed system will begin to turn, the igniter will begin to glow and the fan will supply air to the fire pot. The grill will begin to produce smoke while the start-up cycle is taking place. The barrel lid must remain open during the start-up cycle. To confirm the start-up cycle has begun properly, listen for a torchy roar, and notice some heat being produced.
3. Once the heavy, white smoke has dissipated, the start-up cycle is complete and you are ready to enjoy your grill at your desired temperature!

IGNITER FAILURE PROCEDURE

If for any reason your electric igniter fails or your grill's flame dies out during a cook, check the following steps, or start your grill using the manual method.

1. Turn the **Temperature Control Dial** to the Off position. Open the barrel lid. Remove the cooking components from inside. Remove all unburnt pellets and ash from the fire pot. Avoid touching the igniter to avoid injury, as it may be extremely hot.
2. Once all parts are removed and cleaned, turn the **Temperature Control Dial** to Smoke. Check the following:
 - Visually confirm that the igniter is working by placing your hand above the fire pot and feeling for heat.
 - Visually confirm that the igniter is protruding approximately 13mm / 0.5 inches in the fire pot.
 - Visually confirm that the auger is dropping pellets into the fire pot.
 - Confirm that the combustion fan is working by listening for a torchy roar.
3. If any of the above points are not working, follow **Troubleshooting** instructions.

MANUAL START-UP PROCEDURE

1. Ensure the **Temperature Control Dial** to the Off position. Plug the power cord into a grounded power source.
2. Check fire pot to ensure there is no obstruction for proper ignition. Open the hopper lid. Ensure there are no foreign objects in the hopper or auger feed system. Fill hopper with dry, all natural hardwood barbecue pellets.
3. Open the barrel lid. Remove the cooking components to expose the fire pot. Place a generous handful of pellets into the fire pot. Squirt a gelled fire starter, or other appropriate pellet starter, over the top of the pellets. A small amount of solid fuel fire starter, such as one composed of sawdust and wax, or wood shavings, is also appropriate. Add another small amount of pellets in the fire pot.

NOTE: Do not use spirit, petrol, gasoline, lighter-fluid or kerosene for lighting or refreshing a fire in your grill.

4. Light the contents of the fire pot using a long match or long-nosed lighter. Allow the starter to burn for 3 to 5 minutes. Do not attempt to add more starter into the fire pot. This can cause injury.
5. Quickly and carefully replace the cooking components to the inside of the main barrel. Continue start-up at step two of **Automatic Start-Up Procedure**.

SHUTTING OFF YOUR GRILL

1. When finished cooking, with the main barrel lid remaining closed, turn the **Temperature Control Dial** to OFF.

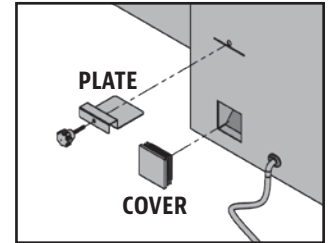
CARE & MAINTENANCE

Any Pit Boss unit will give you many years of flavorful service with minimum cleaning. An important step is allowing the grill and cooking grids to self-clean by running the grill at a high temperature for 5 to 10 minutes after each use. Follow these cleaning and maintenance tips to service your grill:

1. HOPPER ASSEMBLY

- The hopper includes a clean-out feature to allow for ease of cleaning and change out of pellet fuel flavors. To empty, locate the plate and the cover of the drop chute on the back side of the hopper. Place a clean, empty pail under the drop chute cover, then remove the cover piece. Unscrew the plate, slide outwards, and pellets will empty.

NOTE: Use a long handled brush or shop-vac to remove excess pellets, sawdust, and debris for a complete clean-out through the hopper screen.



- Check and clean off any debris from the fan air intake vent, found on the bottom of the hopper. Once the hopper access panel is removed (see **Electric Wire Diagram** for diagram), carefully wipe off any grease build-up directly on the fan blades. This ensures airflow is sufficient to the feed system.

2. INSIDE SURFACES

- It is recommended to clean your fire pot after every few uses. This will ensure proper ignition and avoid any hard build-up of debris or ash in the fire pot.
- Use a long-handled grill cleaning brush (brass or soft metal), remove any food or build-up from the cooking grids. Best practice is to do this while they are still warm from a previous cook. Grease fires are caused by too much fallen debris on the cooking components of the grill. Clean the inside of your grill on a consistent basis. In the event you experience a grease fire, keep the grill lid closed to choke out the fire. If the fire does not go out quickly, carefully remove the food, turn the grill off, and shut the lid until the fire is completely out. Lightly sprinkle baking soda, if available.
- Check your grease tray often, and clean out as necessary. Keep in mind the type of cooking you do.

IMPORTANT: Due to high heat, do not cover the flame broiler or probes with aluminum foil.

3. OUTSIDE SURFACES

- Wipe your grill down after each use. Use warm soapy water to cut the grease. Do not use oven cleaner, abrasive cleansers or abrasive cleaning pads on the outside grill surfaces. **All painted surfaces are not covered under warranty**, but rather are part of general maintenance and upkeep. For paint scratches, wearing, or flaking of the finish, all painted surfaces can be touched up using high heat BBQ paint.
- Use a grill cover to protect your grill for complete protection! A cover is your best protection against weather and outside pollutants. When not in use or for longterm storage, keep the unit under a cover in a garage or shed.

CLEANING FREQUENCY TIME TABLE (NORMAL USE)

| ITEM | CLEANING FREQUENCY | CLEANING METHOD |
|----------------------------|--------------------------|---|
| Bottom of Main Grill | Every 5-6 Grill Sessions | Scoop Out, Shop-Vac Excess Debris |
| Fire pot | Every 2-3 Grill Sessions | Scoop Out, Shop-Vac Excess Debris |
| Cooking Grids | After Each Grill Session | Burn Off Excess, Brass Wire Brush |
| Flame Broiler | Every 5-6 Grill Sessions | Scrape Main Plate with Slider, Do Not Wash Clean |
| Grease Bucket | After Each Grill Session | Scrub Pad & Soapy Water |
| Auger Feed System | When Pellet Bag is Empty | Allow Auger to Push Out Sawdust, Leaving Hopper Empty |
| Hopper Electric Components | Once A Year | Dust Out Interior, Wipe Fan Blades with Soapy Water |
| Air Intake Vent | Every 5-6 Grill Sessions | Dust, Scrub Pad & Soapy Water |
| Temperature Probe | Every 2-3 Grill Sessions | Scrub Pad & Soapy Water |

USING WOOD PELLET FUEL

Clean-burning barbecue wood pellets generate about 8200 BTU's per pound with very little ash, a low moisture content (5-7%), and are carbon neutral. Barbecue wood pellets are produced by pure raw material (sawdust) being pulverized with a hammer-mill, and the material is pushed through a die with pressure. As the pellet is forced through the die, it is cut, cooled, screened, vacuumed, and then bagged for consumer use. Check with your local dealer for flavors available in your area.

HICKORY BLEND

Rich, smoky bacon-like flavor. Considered the "Kings of the Woods"

APPLE BLEND

Smoky, mild sweetness flavor. Highly recommended for baking.

MESQUITE BLEND

Strong, tangy, spicy flavor. Think Tex-Mex cuisine.

CHERRY BLEND

Slightly sweet, but also tart. Gives a rosy tint to light meals.

WHISKEY BARREL BLEND

Strong, sweet smoke with aromatic tang. Perfect for red meats.

COMPETITION BLEND

Perfect blend of sweet, savory, and tart. Used by many professional grillers.

NOTE: Always store wood pellets in a dry area. Avoid any contact or exposure to moisture will result in lower heat output or cause the pellets to swell and break apart. Use a moisture proof, resealable tub or bucket for proper storage.

COOKING GUIDELINES

Smoking and grilling styles of cooking can give you different results based on time and temperature. For best results, keep a record of what you cooked, at what temperature, how long you cooked for, and the results. Adjust to your taste for the next time. Practice makes perfect.

The culinary art of hot smoking refers to longer cooking times, but results in more natural wood flavor (and a sought-after *smoke ring*) on your meats. Higher cooking temperatures result in a shorter cooking time, locking in less smoke flavor.

TIP: For best results, allow time for meats to rest after cooking. This allows the natural juices to migrate back into the meat fiber, giving a much juicier, flavorful cut. Resting times can be as little as 3 minutes and up to 60 minutes, depending on the size of the protein.

| STYLE OF COOKING | HOT SMOKING (Very Low) | ROAST (Low) | BAKING (Medium) | GRILL/BAKE (Medium/High) | SEAR (High) |
|------------------|---------------------------|-----------------------|-----------------------|-----------------------------|-----------------------|
| Temp Range | 93-135°C / 199-275°F | 135-162°C / 275-323°F | 162-190°C / 323-374°F | 190-232°C / 374-449°F | 232-260°C / 449-500°F |

| POULTRY | Size | Rare - 54°C / 130°F | Medium - 60°C / 140°F | Well Done - 77°C / 170°F |
|--------------------------|--|---------------------|-----------------------|--|
| Turkey (<i>whole</i>) | 4.5-5.0 kg / 10-11 lbs. 5.3-6.4 kg / 12-14 lbs. 6.8-7.7 kg / 15-17 lbs. 8.2-10.0 kg / 18-22 lbs. 10.4-11.3 kg / 23-25 lbs. | | | Grill 90 - 120 minutes Grill 110 - 140 minutes Grill 130 - 160 minutes Grill 140 - 170 minutes Grill 150 - 180 minutes |
| Chicken (<i>whole</i>) | 1.36-2.26 kg / 3-5 lbs. | | | Grill 1 - 1.5 hours |
| Drumsticks, Breasts | 0.45 - 0.86 kg / 1 - 1½ lbs. | | | Grill 30-60 minutes |
| Small Game Birds | 0.45 - 0.86 kg / 1 - 1½ lbs. | | | Grill 30-45 minutes |
| Duck | 1.36-2.26 kg / 3-5 lbs. | | | Roast or grill 2 - 2.5 hours |

| PORK | SIZE | Precooked to Reheat 60°C / 140°F | Medium 66°C / 150°F | Well Done 71°C / 160°F |
|---|---|--|------------------------------------|---|
| Ham <i>(Fully Cooked & Boneless Portion, Smoked Picnic Whole & Bone-In)</i> | 2.5 cm / 1" 1.36-1.81 kg / 3-4 lbs. 1.81-2.72 kg / 4-6 lbs. 2.26-3.62 kg / 5-8 lbs. 4.53-5.44 kg / 10-12 lbs. | 12 minutes 50 minutes - 1 hour 1 - 2 hours 1 - 2½ hours 2 - 2¾ hours | | |
| Loin Roast | 1.36-1.81 kg / 3 - 4 lbs. | | 1 - 2 hours | 2 - 3 hours |
| Rib Crown Roast | 1.81-2.26 kg / 4 - 5 lbs. | | 1½ - 2 hours | 2 - 3 hours |
| Chop <i>(loin, rib)</i> | 1.9-2.5 cm / ¾" - 1" 3.1-3.9 cm / 1¼" - 1½" | | 10 - 12 minutes 14 - 18 minutes | |
| Tenderloin | 1.9-2.5 cm / ¾" - 1" | | 20 - 30 minutes | 30 - 45 minutes |
| Loin Roast (boneless) | 1.36-2.26 kg / 3-5 lbs. | | 1¼ - 1¾ hours | 1¾ - 2½ hours |
| Boston Butt <i>(Pork Shoulder)</i> | 3.62-4.53 kg / 8-10 lbs. | | | 93 - 98°C / 200 - 210°F Internal Temperature |

| BEEF | SIZE | HEAT | Rare - 54°C / 130°F | Medium - 60°C / 140°F | Well Done - 65°C / 150°F |
|--|---|-------------|--|------------------------------|---------------------------------|
| Steak (New York, Porter-house, Rib-eye, Sirloin, T-bone, or Tenderloin) | 1.9 cm / ¾" 2.5 cm / 1" 3.8 cm / 1½" 5 cm / 2" | High | Sear 8-10 minutes Sear 10-12 minutes Sear 10 minutes, grill 8-10 minutes Sear 10 minutes, grill 10-14 minutes | | |
| Skirt Steak | 0.6 - 12.7 cm / ¼" - ½" | High | Sear 5-7 minutes | | |
| Flank Steak | 0.45 - 0.86 kg / 1 - 1½ lbs., 1.9 cm / ¾" | Medium | Sear 4 minutes, grill 8-10 minutes | | |
| Kabob | 2.5 - 3.8 cm / 1-1½" cubes | Medium | Grill 10 - 12 minutes | | |
| Tenderloin, whole | 1.58 - 1.81 kg / 3½ - 4 lbs. | High/Medium | Sear 10 minutes, grill 15-20 minutes | | |
| Ground Beef Patty | 1.9 cm / ¾" | High/Medium | Sear 4 minutes, grill 4-6 minutes | | |
| Rib-eye Roast (boneless) | 2.26 - 2.72 kg / 5 - 6 lbs. | Medium | Grill 1½ - 2 hours | | |
| Tri-tip Roast | 0.9 - 1.13 kg / 2 - 2½ lbs. | High/Medium | Sear 10 minutes, grill 20-30 minutes | | |
| Rib Roast | 5.44 - 6.35 kg / 12 - 14 lbs. | Medium | 2½ - 2¾ hours | | |
| Veal Loin Chop | 2.5cm / 1" | Medium | 10 - 12 minutes direct | | |
| Brisket | 7.25 - 3.62 kg / 16 -18 lbs. | Hot Smoke | Cook until internal temperature reaches 91°C / 195°F | | |

| LAMB | Size | Rare - 54°C / 130°F | Medium - 60°C / 140°F | Well Done - 71°C / 160°F |
|------------------------|-----------------------------|----------------------------|------------------------------|---------------------------------|
| Roast (fresh) | 2.26 - 2.72 kg / 5 - 6 lbs. | | 1 - 2 hours | |
| Rib Crown Roast | 1.36-2.26 kg / 3-5 lbs. | | 1 - 1½ hours | 1½ hours |

| SEAFOOD | Size | Rare - 54°C / 130°F | Medium - 60°C / 140°F | Well Done - 82°C / 180°F |
|----------------------|---|----------------------------|------------------------------|---|
| Fish (whole) | 0.5 kg / 1 lb. 0.9 - 1.1 kg / 2 - 2½ lbs. 1.4 kg / 3 lbs. | | | Grill 10 - 20 minutes Grill 20 - 30 minutes Grill 30 - 45 minutes |
| Fish (filets) | 0.6-1.3 cm / ¼" - ½" | | | Grill 3 - 5 minutes, until flaky |
| Lobster Tail | 0.15 kg / 5 oz. 0.3 kg / 10 oz. | | | Grill 5 - 6 minutes Grill 10 - 12 minutes |

| WILD GAME | Size | Rare - 60°C / 140°F | Medium - 71°C / 160°F | Well Done - 77°C / 170°F |
|---------------------------|-----------------------------|----------------------------|------------------------------|---------------------------------|
| Roast (fresh) | 2.26 - 2.72 kg / 5 - 6 lbs. | | 1 - 1½ hours | 1½ - 2 hours |
| Large Cuts (fresh) | 3.62-4.53 kg / 8-10 lbs. | | 1 hours | 1½ hours |

TIPS & TECHNIQUES

Follow these helpful tips and techniques, passed on from Pit Boss owners, our staff, and customers just like you, to become more familiar with your grill:

1. *FOOD SAFETY*

- Keep everything in the kitchen and cooking area clean. Use different platters and utensils for the cooked meat than the ones you used to prepare or transport the raw meat out to the grill. This will prevent cross contamination of bacteria. Each marinade or basting sauce should have its own utensil.
- Keep hot foods hot (above 60°C / 140°F), and keep cold foods cold (below 3°C / 37°F).
- A marinade should never be saved to use at a later time. If you are going to use it to serve with your meat, be sure to bring it to a boil before serving.
- Cooked foods should not be left out in the heat for more than an hour. Do not leave hot foods out of refrigeration for more than two hours.
- Defrost and marinate meats by refrigeration. Do not thaw meat at room temperature or on a counter top. Bacteria can grow and multiply rapidly in warm, moist foods. Wash hands thoroughly with hot, soapy water before starting any meal preparation and after handling fresh meat, fish and poultry.

2. *COOKING PREPARATION*

- Be prepared, or ***Mise en Place***. This refers to preparing the cooking recipe, fuel, accessories, utensils, and all ingredients you require at grill side before you start cooking. Also, read the entire recipe, start to finish, before lighting the grill.
- A BBQ floor mat is very useful. Due to food handling accidents and cooking spatter, a BBQ floor mat would protect a deck, patio, or stone platform from the possibility of grease stains or accidental spills.

3. *GRILLING TIPS AND TECHNIQUES*

- To infuse more smoke flavor into your meats, cook longer and at lower temperatures (also known as ***low and slow***). Meat will close its fibers after it reaches an internal temperature of 49°C / 120°F. Misting, or mopping, are great ways to keep meat from drying out.
- While searing your meats, cook with the lid down. Always use a meat thermometer to determine the internal temperature of the foods you are cooking. Smoking foods with hardwood pellets will turn meats and poultry pink. The band of pink (after cooking) is referred to as a ***smoke ring*** and is highly prized by outdoor chefs.
- Sugar-based sauces are best applied near the end of cooking to prevent burning and flare-ups.
- Leave open space between the foods and the extremities of the barrel for proper heat flow. Food on a crowded grill will require more cooking time.
- Use a set of long-handled tongs for turning meats, and a spatula for turning burgers and fish. Using a piercing utensil, such as a fork, will prick the meat and allow the juices to escape.
- Foods in deep casserole dishes will require more time to cook than a shallow baking pan.
- It's a good idea to put cooked food onto a heated platter, keeping the food warm. Red meats, such as steak and roasts, benefit from resting for several minutes before serving. It allows the juices that were driven to the surface by heat to ease back to the center of the meat, adding more flavor.

TROUBLESHOOTING

Proper cleaning, maintenance and the use of clean, dry, quality fuel will prevent common operational problems. When your Pit Boss grill is operating poorly, or on a less frequent basis, the following troubleshooting tips may be helpful.

For FAQ, please visit www.pitboss-grills.com. You may also contact your local Pit Boss authorized dealer or contact Customer Service for assistance.

WARNING: Always disconnect the electrical cord prior to opening the grill for any inspection, cleaning, maintenance or service work. Ensure the grill is completely cooled to avoid injury.

| PROBLEM | CAUSE | SOLUTION |
|--------------------------------------|--|---|
| No Power Lights On The Control Board | Temperature Control Dial is still off. | Press the Power Button, and ensure the button glows blue to show there is a power connection. Turn the Temperature Control Dial to a temperature setting. |
| | Not Connected To Power Source | Ensure unit is plugged into a working power source. Reset breaker. Ensure GFCI is a minimum 10 Amp service (see Electric Wire Diagram for access to electric components) Ensure all wire connections are firmly connected and dry. |
| | Fuse Blown On The Control Board | Remove hopper access panel (see Electric Wire Diagram for diagram), press in plastic tabs holding the control board in place and carefully pull controller inside the hopper to release controller. Check the fuse for a broken wire or if the wire has turned black. If yes, fuse needs to be manually replaced. |
| | The GFCI outlet has been tripped. | Ensure GFCI is a minimum 10 Amp service. |
| | Faulty Control Board | Control Board needs to be replaced. Contact Customer Service for a replacement part. |
| Fire in Fire pot Will Not Light | Auger Not Primed | Before the unit is used for the first time or anytime the hopper is completely emptied out, the auger must be primed to allow pellets to fill the auger tube. If not primed, the igniter will timeout before the pellets reach the fire pot. Follow Hopper Priming Procedure . |
| | Auger Motor Is Jammed | Remove cooking components from the main barrel. Press the Power Button to turn the unit on, turn Temperature Control Dial to SMOKE, and inspect the auger feed system. Visually confirm that the auger is dropping pellets into the fire pot. If not operating properly, call Customer Service for assistance. |
| | Igniter Failure | Remove cooking components from the main barrel. Press the Power Button to turn the unit on, turn Temperature Control Dial to SMOKE, and inspect the igniter. Visually confirm that the igniter is working by placing your hand above the fire pot and feeling for heat. Visually confirm that the igniter is protruding approximately 13mm / 0.5 inches in the fire pot. If not operating properly, follow Manual Start-up Procedure to continue use of grill; however, call Customer Service for assistance or a replacement part. |
| | Insufficient Air Flow Through Fire Pot | Check fire pot for ash build-up or obstructions. Follow Care and Maintenance instructions for ash build-up. Check fan. Ensure it is working properly and air intake is not blocked. Follow Care and Maintenance instructions if dirty. |
| Flashing Dots On LCD Screen | The Igniter Is On | This is not an error that effects the grill. Used to show that the unit has power and is in Start-Up mode (igniter is on). The igniter will turn off after five minutes. Once the flashing dots disappear, the grill will begin to adjust to the desired temperature selected. |
| Flashing Temperature On LCD Screen | Grill Temperature Is Below 65°C /150°F | This is not an error that effects the unit; however, it is used to show that there is some risk that the fire could go out. Check hopper for sufficient fuel or if there is an obstruction in the feed system. Remove pellets and follow Care and Maintenance instructions. Check grill temperature probe and follow Care and Maintenance instructions if dirty. Check fire pot for ash build-up or obstructions, and follow Care and Maintenance instructions for ash build-up. Check fan. Ensure it is working properly and air intake is not blocked. Follow Care and Maintenance instructions if dirty. Check auger motor to confirm operation (rotation), and ensure there is no blockage in the auger tube. |

| | | |
|---|--|--|
| "ErH" Error Code | The Unit Has Overheated, Possibly Due To Grease Fire Or Excess Fuel. | Press the Power Button to turn the unit off, and allow grill to cool. Follow Care and Maintenance instructions. After maintenance, remove pellets, and confirm positioning of all component parts. Once cooled, press the Power Button to turn the unit on, then select desired temperature. If error code still displayed, contact Customer Service. |
| "ErR" Error Code | Temperature probe wire not making connection. | Remove hopper access panel (see Electric Wire Diagram for diagram), and check for any damage to the Temperature Probe wires. Ensure Temperature Probe molex connectors are firmly connected, and connected correctly, to the Control Board. |
| "ErP" Error Code | Unit Not Turned Off Properly When Last Connected To Power. | Safety feature prevents an automatic restart. Press the Power Button to turn the unit off, wait two minutes, then press the Power Button to turn the unit on again. Turn Temperature Control Dial to SMOKE or desired temperature. If error code still displayed, contact Customer Service. |
| | Power Outage While Unit In Operation. | |
| "noP" Error Code | Bad Connection At Connection Port | Disconnect meat probe from connection port on the Control Board, and reconnect. Ensure the meat probe adapter is firmly connected. Check for signs of damage to the adapter end. If still failed, call Customer Service for replacement part. |
| | Meat Probe Damaged | Check for signs of damage to the wires of the meat probe. If damaged, call Customer Service for replacement part. |
| | Faulty Control Board | Control Board needs to be replaced. Contact Customer Service for a replacement part. |
| Grill Temperature on SMOKE is too high | "P" Setting is too LOW | Push the "P" SET button, and increase the "P" setting. |
| Grill Will Not Achieve Or Maintain Stable Temperature | Insufficient Air Flow Through Fire Pot | Check fire pot for ash build-up or obstructions. Follow Care and Maintenance instructions for ash build-up. Check fan. Ensure it is working properly and air intake is not blocked. Follow Care and Maintenance instructions if dirty. Check auger motor to confirm operation, and ensure there is no blockage in the auger tube. Once all the above steps have been done, start the grill, set temperature to SMOKE and wait for 10 minutes. Check that the flame produced is bright and vibrant. |
| | Lack Of Fuel, Poor Fuel Quality, Obstruction In Feed System | Check hopper to check that fuel level is sufficient, and replenish if low. Should the quality of wood pellets be poor, or the length of the pellets too long, this may cause an obstruction in the feed system. Remove pellets and follow Care and Maintenance instructions. |
| | Temperature Probe | Check status of temperature probe. Follow Care and Maintenance instructions if dirty. Contact Customer Service for a replacement part if damaged. |
| Grill Produces Excess Or Discolored Smoke | Grease Build-Up | Follow Care and Maintenance instructions. |
| | Wood Pellet Quality | Remove moist wood pellets from hopper. Follow Care and Maintenance instructions to clean out. Replace with dry wood pellets. |
| | Fire pot Is Blocked | Clear fire pot for ash and other debris. Follow Hopper Priming Procedure . |
| | Insufficient Air Intake For Fan | Check fan. Ensure it is working properly and air intake is not blocked. Follow Care and Maintenance instructions if dirty. |
| Frequent Flare-Ups | Cooking Temperature | Attempt cooking at a lower temperature. Grease does have a flash point. Keep the temperature under 176°C / 350°F when cooking highly greasy food. |
| | Grease Build-Up On Cooking Components | Follow Care and Maintenance instructions. |

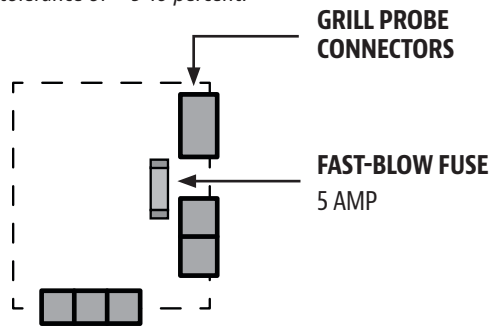
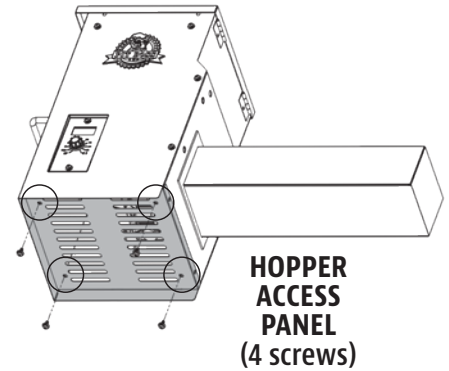
ELECTRICAL WIRE DIAGRAM

The Digital Control Board system is an intricate and valuable piece of technology. For protection from power surges and electrical shorts, consult the wire diagram below to ensure your power source is sufficient for the operation of the unit.

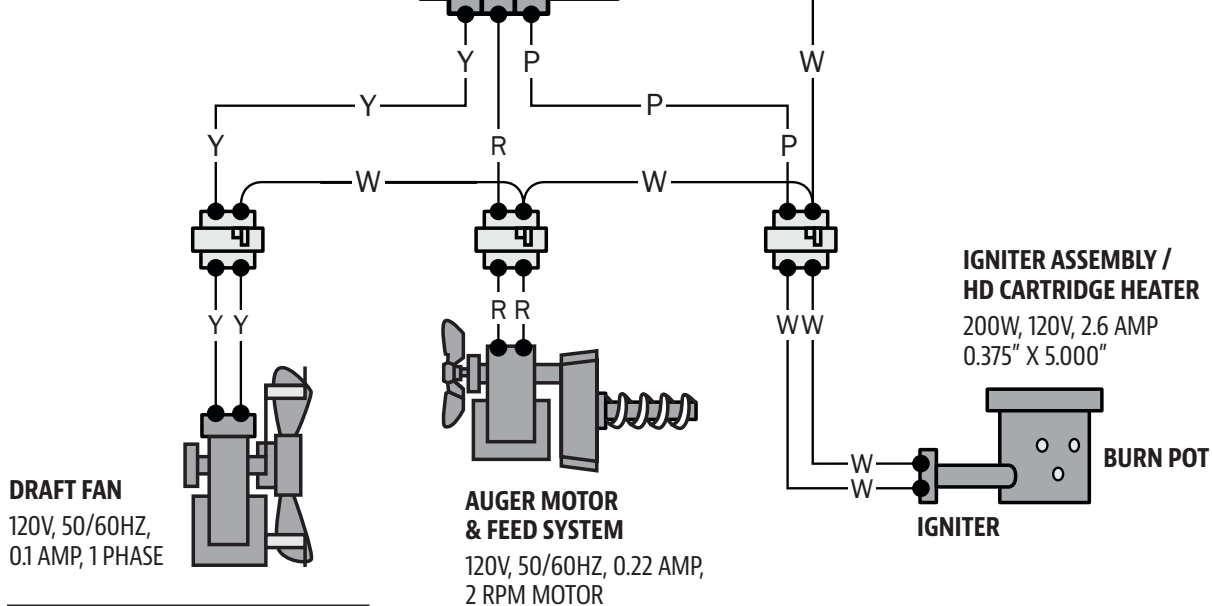
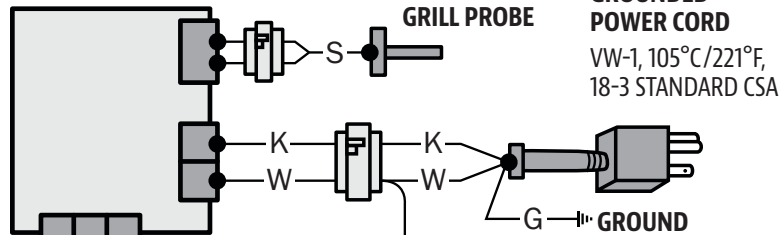
PB – ELECTRIC REQUIREMENTS 110-120V, 60HZ, 275W, 3-PRONG GROUNDED PLUG

NOTE: Electrical components, passed by product safety testing and certification services, comply with a testing tolerance of $\pm 5-10$ percent.

ENGLISH



DIGITAL CONTROL BOARD



INDEX

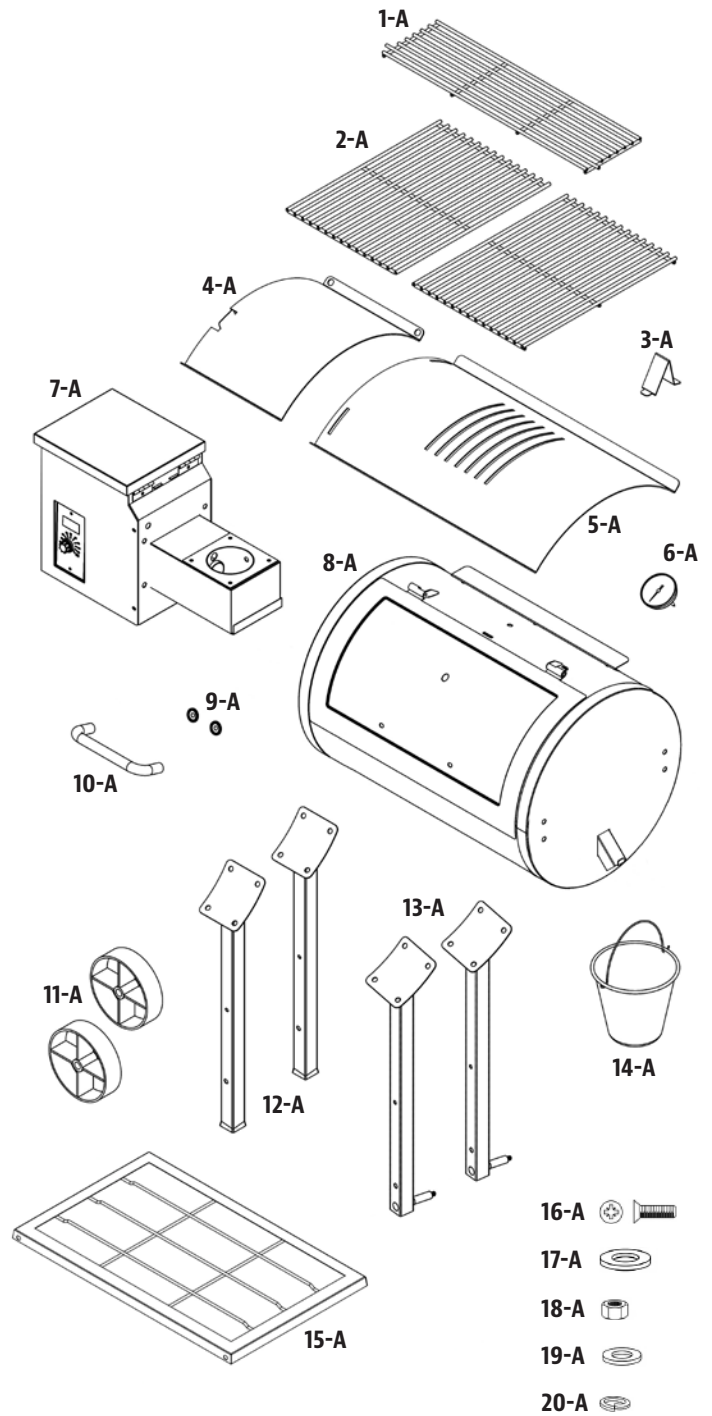
| | |
|------------|------------|
| W : WHITE | K : BLACK |
| Y : YELLOW | S : SILVER |
| P : PURPLE | G : GREEN |
| R : RED | |

FUEL INPUT RATING: 1.12 KG/H (2.48 LB/H)

GRILL REPLACEMENT PARTS

| Part# | Description |
|-------|---|
| 1-A | Porcelain-Coated Steel Upper Cooking Rack |
| 2-A | Porcelain-Coated Cast-Iron Cooking Grids (x2) |
| 3-A | Lid Stopper |
| 4-A | Flame Broiler Slider |
| 5-A | Flame Broiler Main Plate |
| 6-A | Thermometer |
| 7-A | Hopper Assembly |
| 8-A | Main Barrel |
| 9-A | Bezel (x2) |
| 10-A | Lid Handle |
| 11-A | Metal Wheels (x2) |
| 12-A | Stationary Leg (x2) |
| 13-A | Leg with Wheel Axle (x2) |
| 14-A | Grease Bucket |
| 15-A | Bottom Shelf |
| 16-A | Screw (x20) |
| 17-A | Washer (x2) |
| 18-A | Lock Nut (x2) |
| 19-A | Washer (x20) |
| 20-A | Locking Washer (x20) |

NOTE: Due to ongoing product development, parts are subject to change without notice.

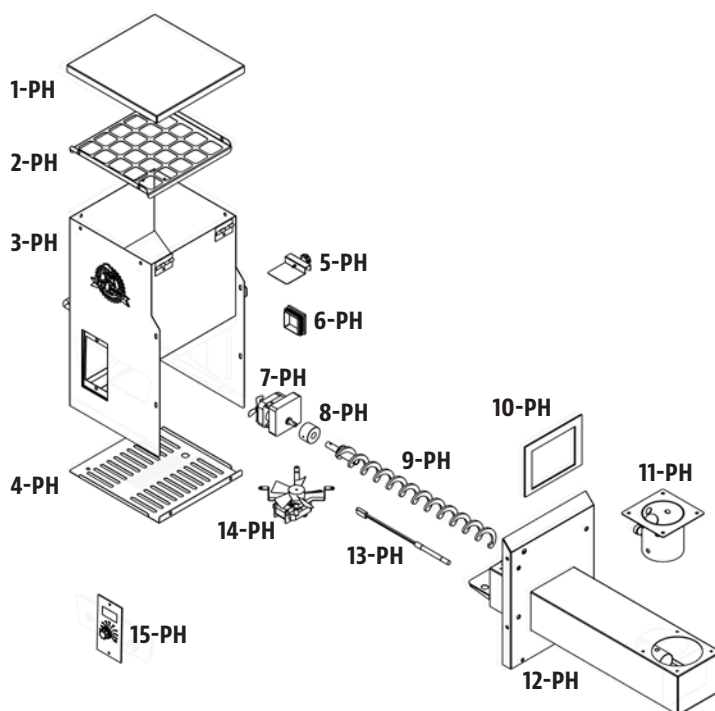


ENGLISH

HOPPER REPLACEMENT PARTS

ENGLISH

| Part# | Description |
|-------|--------------------------|
| 1-PH | Hopper Lid |
| 2-PH | Hopper Safety Screen |
| 3-PH | Hopper Box Housing |
| 4-PH | Hopper Access Panel |
| 5-PH | Drop Chute Plate |
| 6-PH | Drop Chute Cover |
| 7-PH | Auger Motor |
| 8-PH | Nylon Bushing |
| 9-PH | Auger Flighting Assembly |
| 10-PH | Hopper Housing Gasket |
| 11-PH | Fire Pot |
| 12-PH | Auger Box Housing |
| 13-PH | Igniter |
| 14-PH | Combustion Fan |
| 15-PH | Pit Boss Control Board |



WARRANTY

CONDITIONS

All wood pellet grills by Pit Boss, manufactured by Dansons, carry a limited warranty from the date of sale by the original owner. The warranty coverage begins on the original date of purchase and proof of date of purchase, or copy of original bill of sale, is required to validate the warranty. Customers will be subject to parts, shipping, and handling fees if unable to provide proof of the purchase or after the warranty has expired.

Dansons carries a five (5) year warranty against defects and workmanship on all parts, and five (5) years on electrical components. Dansons warrants that all part(s) are free of defects in material and workmanship, for the length of use and ownership of the original purchaser. Warranty does not cover damage from wear and tear, such as scratches, dents, dings, chips or minor cosmetic cracks. These aesthetic changes of the grill do not affect its performance. Repair or replacement of any part does not extend past the limited warranty beyond the five (5) years from date of purchase.

During the term of the warranty, Dansons' obligation shall be limited to furnishing a replacement for defective and/or failed components. As long as it is within the warranty period, Dansons' will not charge for repair or replacement for parts returned, freight prepaid, if the part(s) are found by Dansons' to be defective upon examination. Dansons' shall not be liable for transportation charges, labor costs, or export duties. Except as provided in these conditions of warranty, repair or replacement of parts in the manner and for the period of time mentioned heretofore shall constitute the fulfillment of all direct and derivate liabilities and obligations from Dansons to you.

Dansons takes every precaution to utilize materials that retard rust. Even with these safeguards, the protective coatings can be compromised by various substances and conditions beyond Dansons' control. High temperatures, excessive humidity, chlorine, industrial fumes, fertilizers, lawn pesticides and salt are some of the substances that can affect metal coatings. For these reasons, the warranty does not cover rust or oxidization, unless there is loss of structural integrity on the grill component. Should any of the above occur, kindly refer to the care and maintenance section to prolong the lifespan of your unit. Dansons recommends the use of a grill cover when the grill is not in use.

This warranty is based on normal domestic use and service of the grill and neither limited warranty coverage's apply for a grill which is used in commercial applications.

EXCEPTIONS

There is no written or implied performance warranty on Pit Boss grills, as the manufacturer has no control over the installation, operation, cleaning, maintenance or the type of fuel burned. This warranty will not apply nor will Danson's assume responsibility if your appliance has not been installed, operated, cleaned and maintained in strict accordance with this owner's manual. Any use of gas not outlined in this manual may void the warranty. The warranty does not cover damage or breakage due to misuse, improper handling or modifications.

Neither Danson's, or authorized Pit Boss dealer, accepts responsibility, legal or otherwise, for the incidental or consequential damage to the property or persons resulting from the use of this product. Whether a claim is made against Danson's based on the breach of this warranty or any other type of warranty expressed or implied by law, the manufacturer shall in no event be liable for any special, indirect, consequential or other damages of any nature whatsoever in excess of the original purchase of this product. All warranties by manufacturer are set forth herein and no claim shall be made against manufacturer on any warranty or representation.

Some states do not allow the exclusion or limitation of incidental or consequential damages, or limitations of implied warranties, so the limitations or exclusions set forth in this limited warranty may not apply to you. This limited warranty gives you specific legal rights and you may have other rights, which vary from state to state.

ORDERING REPLACEMENT PARTS

To order replacement parts, please contact your local Pit Boss dealer or visit our online store at: www.pitboss-grills.com

CONTACT CUSTOMER SERVICE

If you have any questions or problems, contact Customer Service, Monday through Sunday, 4am - 8pm PST (EN/FR/ES).

service@pitboss-grills.com | Toll-Free: 1-877-303-3134 | Toll-Free Fax: 1-877-303-3135

WARRANTY SERVICE

Contact your nearest Pit Boss dealer for repair or replacement parts. Danson's requires proof of purchase to establish a warranty claim; therefore, retain your original sales receipt or invoice for future reference. The serial and model number of your Pit Boss can be found on the back of the hopper. Record numbers below as the label may become worn or illegible.

MODEL

SERIAL NUMBER





DATE OF PURCHASE

AUTHORIZED DEALER

ACCESSORIES SOLD SEPARATELY

Available for purchase separately. Accessories not available and supplied by all authorized Pit Boss dealers.

ENGLISH

| ITEM | DESCRIPTION |
|--|---|
|  | <p>GRILL COVER</p> <p>Form-fitting, full length cover. Heavy-duty polyester with PVC backing for long-term use. Weatherproof. Includes draw-string lock for easy tightening.</p> |
|  | <p>BARBECUE FLOOR MAT</p> <p>Easy clean, UV protected. Protection for your deck. 132cm x 86cm / 52" x 34"</p> |
|  | <p>SIDE SHELF - BLACK</p> <p>Black, solid shelf. Complete with tool hooks and towel bar. Mounts to side of main barrel.</p> |
|  | <p>SIDE SHELF - STAINLESS</p> <p>Stainless steel shelf. Removable tray doubles as a grilling and serving tray. Complete with tool hooks. Mounts to side of main barrel.</p> |

| ITEM | DESCRIPTION |
|---|---|
|  | <p>GRILLING APRON</p> <p>Adjustable apron with double front pockets for grilling tools. One size. Machine washable.</p> |
|  | <p>SIGNATURE SAUCES</p> <p>A collection of gourmet sauces to prepare and enhance the natural flavors of your food.</p> |
|  | <p>SIGNATURE SPICES</p> <p>A collection of gourmet seasonings to prepare and enhance the natural flavors of your food.</p> |

RECIPES

CLASSIC BRISKET

Makes 4 - 6 Servings

A whole beef brisket weighs 7.25-3.62 kg / 16-18 pounds and has three separate parts: the cap, the point, and the flat. Use the flat section, as it is lean, compact, and creates nice slices when carved.

Ingredients:

| | |
|----------------|---|
| 1 | Beef Brisket <small>2.2-3.6 kg / 5-8 lbs, Layer of fat is at least 0.6 cm / ¼" thick</small> |
| 1 bottle | Prepared Yellow Mustard |
| 75 ml / 5 tbsp | Seasoning |
| 1 bottle | Chili Sauce |
| 1 pack | Dry Onion Soup Mix |
| 375 ml / 1½ c. | Beef Broth |
| 40 ml / 8 tsp | Black Pepper |

Suggested Wood Pellet Flavor: Hickory / Competition

Instructions:

1. Lay out a large piece of plastic wrap on your working station. Large enough to encase the brisket. Using a sharp knife, cut a single cut on the underside of the brisket against the grain. This will aid in slicing the finished brisket, against the grain which results in a tender, melt-in-your-mouth cut. The underside is the non-fat cap side. Slather on a generous amount of prepared mustard. Rub lightly onto the entire area. Sprinkle a generous amount of seasoning onto the mustard, then again light rub into the meat. Flip the brisket over and repeat the process. Wrap the prepared brisket in the plastic wrap and refrigerate 2 to 4 hours, or overnight.
2. Prepare the basting mixture. Mix the chili sauce, dry onion soup mix, beef broth, and black pepper. Set aside.
3. **Turn on grill to SMOKE or low temperature.**
4. Place the brisket, fat side up, in the center of the grill. Close the grill lid. Slow cook until tender, about 10 to 12 hours.
5. Baste the brisket with the basting mixture every half hour for the first 3 hours.
6. Continue the slow cooking process until the internal temperature reaches 60-66°C / 140-150°F. Remove from grill. **Turn grill up to 176°C / 350°F.**
7. Place the brisket into a pouch of double-layered aluminum foil. Pour 50 ml / ¼ cup of basting mixture over the brisket in the pouch. Close the pouch shut.
8. Lay foil pouch carefully on the grill. Steam for 1 to 1½ hours.
9. Open the pouch, and use a meat thermometer; internal temperature should reach 91°C / 195°F. The brisket should be firm but be able to pull the meat apart with your fingers.
10. Transfer the meat to a cutting board, and let it rest for 10 minutes. Thinly slice across the grain to serve.

SAUSAGE WITH MANGO CHUTNEY

Makes 4 - 6 Servings

Ingredients:

| | |
|----------------|-------------------------------|
| 2 | Mangoes (finely chopped) |
| 0.9 kg / 2 lbs | Italian Sausage (hot or mild) |
| 10 ml / 2 tsp | Fresh Parsley (minced) |
| 15 ml / 1 tbsp | Red Pepper (diced) |
| 10 ml / 2 tsp | Honey |
| ½ | Red Onion (diced) |
| ½ bulb | Fennel (diced) |
| 5 ml / 1 tsp | Lime Juice |
| Pinch | Salt |

Suggested Wood Pellet Flavor: Hickory / Competition

Instructions:

1. **Turn on grill to LOW-MEDIUM (82 - 107°C / 180 - 225°F)**
2. Place sausages on grill, spaced evenly apart. Rotate every ten minutes so all sides are grilled.
3. Combine all remaining ingredients to make the chutney. Chill until ready to serve.
4. Slice grilled sausage diagonally, then serve with side of chutney.

BLUE CHEESE STEAK

Makes 4 Servings

Ingredients:

| | |
|---------------|---|
| 4 | Steak, T-bone or Rib-Eye <small>2.54cm / 1" thick 0.28-0.62 kg / 10-12 ounces each</small> |
| 113 g / 4 oz. | Blue Cheese (crumbled) |
| 50 ml / ¼ c. | Green Onion (thinly sliced) |

Suggested Wood Pellet Flavor: Hickory / Competition / Whiskey

Instructions:

1. **Turn on grill to higher temperature (204-260°C / 400-500°F)**
2. Trim excess fat from meat and discard.
3. Place steaks on grill. Sear each side, flipping every few minutes.
4. **Reduce heat to 135°C/275°F or 163°C/ 325°F.** Flip the steaks a final time. Combine blue cheese and onions. Sprinkle over steaks, close grill lid, and grill until desired doneness. Check doneness by cutting a slit in meat near the bone.

Variation: REVERSE-SEAR METHOD

Turn grill to SMOKE, then place steaks on grill. Smoke at 82°C / 180°F for 5 to 15 minutes. Once smoked to desired doneness, turn grill up to HIGH and sear to your liking.

BBQ RIBS

Makes 4 - 6 Servings

Ingredients:

| | |
|----------------------|--|
| 1.3-1.8 kg / 3-4 lbs | Ribs <small>Meaty pork spareribs / loin back ribs</small> |
| 45 ml / 3 tbsp | Oil |
| 5 ml / 1 tsp | Salt |
| 5 ml / 1 tsp | Pepper |
| 2 whole | Onions (chopped) |
| 30 ml / 2 tbsp | Vinegar |
| 30 ml / 2 tbsp | Worcestershire sauce |
| 125 ml / ½ c. | Apple Juice or Soda |
| 5 ml / 1 tsp | Paprika |
| 5 ml / 1 tsp | Chili Powder |

Suggested Wood Pellet Flavor: Hickory / Competition / Apple

Instructions:

1. Turn on grill to **SMOKE** or low (82-107°C / 180-225°F).
2. Prepare ribs by peeling off the tough layer of skin on the back side. Season the ribs with salt and pepper, to taste.
3. Place ribs on grill, spaced evenly apart. Smoke for 3 to 4 hours.
4. Mix remaining ingredients in a saucepan and bring to a boil. Let sauce boil for five minutes to thicken.
5. Remove from grill. **Turn grill up to 176°C / 350°F.**
6. Place each rack into a pouch of double-layered aluminum foil. Pour 50 ml / ¼ cup of sauce over the ribs in the pouch. Close the pouch shut.
7. Lay foil pouch carefully on the grill. Steam for 1 to 1½ hours.
8. Open the pouch. The meat will have exposed the rib ends and be very tender. **Turn grill up to HIGH (260°C / 500°F).** Place ribs back on the grill and baste with sauce on both sides of ribs.
9. Once the sauce is caramelized and the ribs are sticky, remove from grill and serve.

Variation: MEMPHIS-DRY METHOD

Turn grill up to HIGH (260°C / 500°F). Place ribs back on the grill and season with a dry seasoning or rub. Sear the ribs, remove from grill and serve.

MOM'S JUICY HAMBURGERS

Makes 4 - 6 Servings

Ingredients:

| | |
|----------------|----------------------------|
| 900 g / 2 lbs | Ground Beef or Buffalo |
| 15 ml / 3 tsp | Seasoning |
| 2 whole | Eggs, room temperature |
| 500 ml / 2 c. | Bread Crumbs (Dried, Fine) |
| 6 - 8 | Hamburger / Kaiser Buns |
| 6 - 8 slices | Cheese (slices, thin) |
| 30 ml / 2 tbsp | Butter |

Suggested Wood Pellet Flavor: Hickory / Competition

Instructions:

1. Turn on grill to higher temperature (204-260°C / 400-500°F)
2. Combine meat, seasoning, eggs and bread crumbs in a mixing bowl and blend together. Divide the meat into portions, and gently shape into patties to fit the buns. Make patties about 1.9 cm / ¾ inches thick.
3. Place patties on grill. Grill six minutes per side, taking care not to press down on the meat. Test for doneness, using a meat thermometer; internal temperature should reach 71°C / 160°F. Meat may turn pink on the outside due to smoking.
4. In the last few minutes of grilling, brush buns with butter and lightly toast on the grill.
5. Remove buns, burgers when done. Top the burgers with cheese to melt, and serve.

TIP: A slightly fattier meat makes for a juicier burger. For a lean alternative, try ground buffalo.

SIRLOIN STEAK WITH SWEET ONION & PEPPERS

Makes 4 Servings

Ingredients:

| | |
|----------------|---|
| 2 | Steak, Top Sirloin <small>1" thick, cut into 4 pieces. 0.45kg/1 lb</small> |
| 10 ml / 2 tsp | Seasoning or rub |
| 5 medium | Sweet Onions (coursed chopped) |
| 2 whole | Bell Peppers (all kinds, chopped) |
| 60 ml / 4 tbsp | Soy Sauce |
| 60 ml / 4 tbsp | Olive Oil |
| Dash | Salt |

Suggested Wood Pellet Flavor: Hickory / Mesquite / Whiskey

Instructions:

1. Turn on grill to **218°C / 425°F.**
2. Season both sides of the steak with the seasoning or rub. Cover and refrigerate at least 1 hour.
3. Place onions and bell peppers into a covered tray of aluminum foil. Mix soy sauce and olive oil together, then drizzle over tray. Sprinkle with salt. Seal the foil packet completely.
4. Place the foil on the grill for 10 - 15 minutes or until vegetables are soft and tender. Remove from grill, and keep covered.
5. Place steaks on grill. Sear each side, flipping every few minutes.
6. Grill until desired doneness, then remove from grill. Place on serving plates and top with warm vegetables.

CORNISH HENS WITH MANDARIN RICE

Makes 4 Servings

Ingredients:

4 whole Cornish Game Hens
750 ml / 3 c. Mandarin Rice
15 ml / 1 tbsp Olive Oil
5 ml / 1 tsp Smoked Paprika
250 ml / 1 c. Orange Marmalade

Mandarin Rice

59 ml / ¼ c. Almonds (slivered)
30 ml / 2 tbsp Celery (chopped)
1 small Green Onion (sliced, thin)
30 ml / 2 tbsp Butter
1 can Mandarin Orange Segments (drained)
0.4 kg / 11oz.
30 ml / 2 tbsp Orange Juice (concentrate)
500 ml / 2 c. Cooked Rice

Suggested Wood Pellet Flavor: Hickory / Mesquite / Competition

Instructions:

1. Prepare mandarin rice by cooking almonds, celery, green onion, and butter in small skillet until almonds are lightly toasted. Combine mixture with orange segments, orange juice and cooked rice in a bowl, and set aside.
2. **Turn on grill to medium temperature (135-177°C / 275-350°F).**
3. Rinse Cornish hens and pat dry with paper towel. Stuff with rice mixture and tie legs with a string. Brush Cornish hens lightly with olive oil, and sprinkle with paprika.
4. Place Cornish hens on grill. Grill for 45 to 60 minutes, until the drumstick meat is tender when pressed.
5. Baste with orange marmalade during last 20 minutes of cooking time. Remove from grill and arrange on serving platter.

TIP: If you want to catch the drippings to make gravy, place the hens in a foil pan and add enough water or juice to cover the bottom about 0.6 cm / ¼ inch thick.

SHRIMP KABOBS WITH CURRY BUTTER

Makes 4 Servings

Ingredients:

900g / 2 lbs Shrimp (peeled, deveined)
125ml / ½ c. Curry Butter
15 ml / 1 tbsp Olive Oil
1 Lime
Fresh Dill

Curry Butter

125 ml / ½ c. Butter
30 ml / 2 tbsp Onion (chopped)
15 ml / 1 tbsp Fresh Dill
5 ml / 1 tsp Curry Powder
Dash Garlic Powder

Suggested Wood Pellet Flavor: Mesquite / Competition

Instructions:

1. Soak wooden skewers in water for 1 hour.
2. **Turn on grill to 135-163°C / 275-325°F.**
3. Prepare curry butter by melting butter in small pan over medium-high heat. Stir in onion, dill, curry powder and garlic powder. Cook for five minutes, then remove from heat.
4. Thread shrimp on skewers, leaving space between pieces. Lightly brush with olive oil.
5. Place skewers on grill, and grill until shrimp are white and tender. Shrimp grill quickly; take care not to overcook. Turn skewers of shrimp once and brush with curry butter halfway through cooking time.
6. Arrange grilled shrimp on serving plate. Garnish with lime wedge and dill.

TIP: To skewer shrimp so that it is straight, hold it in a stretched-out position with one hand. Start at the tail end and insert a bamboo or wooden skewer into the shrimp so that it runs the full length. Keep unbending the shrimp with your fingers as you go.

BACON BASIL SHRIMP ON A STICK

Makes 4 - 6 Servings

Ingredients:

24 large Shrimp (peeled, deveined)
24 whole Fresh Basil Leaves
24 slices Bacon (sliced thin)

Suggested Wood Pellet Flavor: Cherry / Apple

Instructions:

1. Soak wooden skewers in water for 1 hour.
2. **Turn on grill to 135-163°C / 275-325°F.**
3. Wrap a piece of shrimp and basil leaf in a thin slice of bacon, then thread onto skewer, leaving space between pieces.
4. Place skewers on grill, and cook until shrimp are white and tender, and the bacon is nicely browned. Shrimp grill quickly; take care not to overcook. Turn skewers often to avoid burning.
5. Remove from heat and serve.

WHOLE SMOKED TURKEY

Feeds a small army - leftovers are great!

Ingredients:

1 whole Turkey (thawed)
9-11.3 kg / 20-25 lbs
60 ml / 4 tbsp Seasoning
5 ml / 1 tsp Smoked Paprika
45 ml / 3 tbsp Butter

Suggested Wood Pellet Flavor: Hickory / Cherry / Competition

Instructions:

1. Turn on grill to 135-177°C / 275-350°F.
2. Remove the turkey neck and giblets. Rinse turkey thoroughly and pat the exterior dry with paper towel.
3. In a small bowl, mix butter, ¼ of the seasoning and paprika together to form a paste. Gently insert your hand between the outer skin and the breast meat. Rub paste into the meat.
4. With the remaining seasoning, rub the outer surface of the turkey.
5. Place turkey, breast side up, in center of grill, and cook until turkey is tender and golden brown; internal temperature should reach 82°C / 180°F in the thickest part of the thigh and 77°C / 170°F in the breast.
6. Remove turkey, cover with foil and let rest for 10 minutes before carving.

TIP: If you want to catch the drippings to make gravy, place the turkey on a rack inside a large aluminum foil roast pan. Add 0.6 cm / ¼" of water or broth and some seasoning into the bottom of the pan. Monitor the juices, as you may need to add more during the roasting period.

BEER CAN CHICKEN

Makes 2 - 6 Servings

Ingredients:

1 whole Chicken
1.8-2.7 kg / 4-6 lbs
1 can Beer, any kind
45 ml / 3 tbsp Seasoning

Suggested Wood Pellet Flavor: Hickory / Apple / Competition

Instructions:

1. Turn on grill to 135-177°C / 275-350°F.
2. Open can, and pour half of the beer into a glass to drink. Leave half in the can, and make a few more holes in the top of the can to increase ventilation. Add a ¼ of the seasoning to the can.
3. Rinse chicken thoroughly and pat the exterior dry with paper towel. Add a ¼ of the rub inside the cavity of the chicken. With the remaining seasoning, rub the outer surface of the chicken.
4. Insert the upright can into the cavity of the chicken, place on the grill, and close the grill lid. Cook until the chicken is golden

brown and crispy; internal temperature should reach 74°C/165°F.

5. Using tongs, carefully remove the upright chicken and can from the grill. Let rest for five minutes, then carefully remove the can from the cavity of the chicken. Be cautious not to spill, as the liquid will be hot.
6. Carve chicken and serve.

Variation: NON- ALCOHOLIC, BEER-CAN CHICKEN

Using the same instructions as above, but substitute the can of beer with a can of your favorite non-diet cola, fruit juice, or water with additional seasoning.

EASY RANCH CHICKEN SATAY

Makes 2 - 6 Servings

Ingredients:

450g / 1 lb Chicken Breasts or Thighs (boneless, skinless)
112 ml / ½ c. Prepared Ranch or Italian Salad Dressing
Dash Salt
Dash Pepper

Suggested Wood Pellet Flavor: Apple / Cherry

Instructions:

1. Cut chicken, lengthwise, into 0.63 cm / ¼" or slightly thicker pieces. Rinse chicken and pat dry with paper towel.
2. Place chicken pieces into a plastic lock-top bag. Add salad dressing, salt and pepper. Seal the bag closed, and carefully shake, coating chicken evenly. Place in refrigerator for 1 - 2 hours, or overnight. Shake the bag once or twice so the chicken marinades evenly.
3. Soak wooden skewers in water for 1 hour before use.
4. Turn on grill to 218°C / 425°F.
5. Remove chicken from plastic bag, and weave in-and-out onto the skewers, like a ribbon.
6. Place skewers on grill, and cook until chicken is white and firm. Turn skewers often to avoid burning.
7. Remove from heat and serve.

INFORMATIONS DE SÉCURITÉ

LES CAUSES MAJEURES DES INCENDIES D'APPAREILS SONT LE RÉSULTAT D'UN MAUVAIS ENTRETIEN ET D'UN DÉFAUT DE MAINTENIR DU DÉGAGEMENT REQUIS POUR LES MATÉRIAUX COMBUSTIBLES. IL EST D'UNE IMPORTANCE CRUCIALE QUE CE PRODUIT SOIT UTILISÉ SEULEMENT CONFORMÉMENT AUX INSTRUCTIONS SUIVANTES.

Veillez lire et comprendre ce manuel avant d'assembler, d'utiliser ou d'installer le produit. Cela vous assurera de profiter au mieux et sans soucis de votre nouveau gril à granulés de bois. Nous vous conseillons également de conserver ce manuel pour référence ultérieure.

DANGERS ET AVERTISSEMENTS

Vous devez communiquer avec votre municipalité, vos autorités locales en matière de feu ou de construction ou toute autre autorité compétente afin d'obtenir les permis nécessaires, la permission ou des renseignements sur toutes les restrictions d'installation, y compris ceux relatifs à l'installation d'un gril sur une surface combustible, aux règles d'inspection ou encore aux permis d'utilisation dans votre région.

1. Un dégagement minimum de 305 mm (12 pouces) des constructions combustibles sur les côtés du gril et 305 mm (12 pouces) de l'arrière du gril aux constructions combustibles doit être maintenu. **N'installez pas l'appareil sur des planchers combustibles ou sur des planchers protégés par des surfaces combustibles à moins que les autorités compétentes n'aient obtenu les permis et les autorisations nécessaires.** Cet appareil à granulés de bois ne doit pas être placé sous un plafond ou un surplomb combustible. Gardez votre gril dans une zone dégagée et exempte de matières combustibles, d'essence et d'autres vapeurs et liquides inflammables.

En cas d'incendie de graisse, éteignez le gril et laissez le couvercle fermé jusqu'à ce que le feu soit éteint. Ne pas débrancher la fiche d'alimentation. Ne pas jeter d'eau dessus. Ne pas essayer d'étouffer le feu. L'utilisation d'un extincteur approuvé toutes classes (classe ABC) est précieuse à conserver sur place. Si un incendie non contrôlé se produit, appelez les pompiers.

2. Gardez les cordons d'alimentation électrique et le carburant loin des surfaces chauffées. Ne pas utiliser votre gril sous la pluie ou autour d'une source d'eau.
3. Après une période de stockage ou de non utilisation, vérifiez qu'il n'y a pas d'obstruction au niveau de la grille de combustion et pas de blocage de l'air au niveau de la trémie. Nettoyer avant utilisation. Des soins et un entretien réguliers sont nécessaires pour prolonger la durée de vie de votre gril. **Si le gril est entreposé dehors pendant la saison des pluies ou les saisons de forte humidité, toutes les précautions devraient être prises pour veiller à ce que l'eau n'entre pas dans la trémie.** Lorsqu'ils sont mouillés ou exposés à une humidité élevée, les granulés de bois se dilatent considérablement, se décomposent et peuvent bloquer le système d'alimentation. Vous devez toujours débrancher le gril avant d'effectuer un service ou un entretien.

Ne pas transporter votre gril pendant son utilisation ou pendant qu'il est chaud. Assurez-vous que le feu est complètement éteint et que le gril est complètement frais avant le déplacement.

4. Il est recommandé d'utiliser des gants ou des gants de barbecue résistant à la chaleur lors de l'utilisation du gril. Ne pas utiliser d'accessoires n'ayant pas été conçus pour être utilisés avec cet appareil. Ne pas mettre de couvercle de barbecue ou tout autre matière inflammable dans la zone d'espace de stockage sous le barbecue.
5. Pour éviter toute blessure ou endommagement de la tarière, l'appareil comporte un écran de sécurité de la trémie métallique. Cet écran ne doit pas être retiré sauf indication contraire du service à la clientèle de dansons ou d'un fournisseur de service autorisé.

Cet appareil n'est pas conçu pour être utilisé par des enfants, des personnes à capacités physiques, sensorielles ou intellectuelles réduites ou sans expérience ni connaissances, à moins qu'elles soient surveillées directement par une personne responsable de leur sécurité.

6. Certaines parties du barbecue peuvent être très chaudes et des blessures graves peuvent survenir. Tenir hors de portée des jeunes enfants et des animaux domestiques lors de l'utilisation.
7. Ne pas élargir des trous de l'allumeur ou des pots de combustion. Le non-respect de cet avertissement pourrait entraîner un risque d'incendie et des dommages corporels et annulera votre garantie.
8. Le produit peut avoir des bords ou des points pointus. Le contact peut entraîner des blessures. Manipuler avec soin.

ÉLIMINATION DES CENDRES

Les cendres devraient être déposées dans un contenant métallique avec couvercle hermétique. Le contenant fermé de cendres devrait être placé sur un plancher non combustible ou sur le sol, loin de toute matière combustible en attendant leur élimination définitive. Lorsque les cendres sont disposées par enterrement dans le sol, ou dispersées localement, elles doivent être conservées dans un récipient fermé jusqu'à ce que toutes les cendres aient été complètement refroidies.

COMBUSTIBLE GRANULES DE BOIS

Cet appareil de cuisson à granules est conçu et approuvé uniquement pour le bois aggloméré, entièrement naturel. Tout autre type de consommation de carburant dans cet appareil annulera la garantie et la norme de sécurité. Vous devez uniquement utiliser les pastilles de bois naturelles, conçues pour brûler dans les grils de bbq à pastilles. Ne pas utiliser de carburant avec des additifs.

Ne pas utiliser roche de lave, morceaux de bois, charbon de bois, d'alcool, d'essence, de pétrole, de l'essence à briquet ou du kérosène pour allumer ou rafraîchir un feu sur votre gril.

Au moment de l'impression de ce manuel, il n'y a pas de norme industrielle pour les granulés de bois de barbecue, bien que la plupart des usines de granulés utilisent les mêmes normes pour fabriquer des granulés de bois à usage domestique. Vous trouverez plus d'informations sur www.pelletheat.org ou sur *Pellet Fuel Institute*.

Contactez votre revendeur local au sujet de la qualité des granulés dans votre région et pour des informations sur la qualité de la marque. Comme il n'y a pas de contrôle sur la qualité des pastilles utilisées, nous n'assumons aucune responsabilité à l'égard des dommages causés par une mauvaise qualité du carburant.

CRÉOSOTE

La créosote, ou la suie, est une substance semblable à celle du goudron. Lors de la combustion, il produit de la fumée noire avec un résidu qui est également de couleur noire. La suie ou la créosote est formée lorsque l'appareil fonctionne incorrectement, par exemple: position incorrecte de la grille de combustion, blocage du ventilateur de combustion, défaut de nettoyage et entretien de la zone de combustion ou mauvaise combustion air-carburant.

Il est dangereux de faire fonctionner cet appareil si la flamme devient sombre, de suie, ou si le pot de combustion est trop rempli de granulés. Lorsqu'elle est enflammée, cette accumulation de créosote produit un feu extrêmement vif et non maîtrisé, similaire à un feu de graisse. Dans ce cas, éteignez l'appareil, laissez-le refroidir complètement, puis inspectez-le pour l'entretien et le nettoyage. Il s'accumule généralement le long des zones d'échappement.

Si de la créosote s'est accumulée dans l'unité, laissez l'unité se réchauffer à basse température, éteignez l'appareil, puis essuyez toute formation à l'aide d'une serviette à main. À l'instar du goudron, il est beaucoup plus facile de nettoyer au chaud, car il devient liquide.

LE MONOXYDE DE CARBONE (« LE TUEUR SILENCIEUX »)

Le monoxyde de carbone est un gaz incolore, inodore et sans goût produit par la combustion des gaz, du bois, du propane, du charbon ou d'autres combustibles. Le monoxyde de carbone réduit la capacité du sang à transporter l'oxygène. Les faibles niveaux d'oxygène sanguin peuvent entraîner des maux de tête, des étourdissements, des faiblesses, des nausées, des vomissements, de la somnolence, de la confusion, de la perte de conscience ou la mort. Suivez les directives suivantes pour empêcher ce gaz incolore et inodore de vous empoisonner ainsi que votre famille et les autres :

- Consultez un médecin si vous ou les autres développez des symptômes similaires à un rhume ou la grippe quand vous cuisinez ou quand vous vous trouvez à proximité de l'appareil. L'empoisonnement au monoxyde de carbone, qui peut facilement être confondu avec le rhume ou la grippe, est souvent détecté trop tard.

- La consommation d'alcool et de drogues augment les effets de l'empoisonnement au monoxyde de carbone.

Le monoxyde de carbone est particulièrement toxique pour la mère et l'enfant pendant la grossesse, pour les nourrissons, les personnes âgées, les fumeurs et les personnes souffrant de problèmes de circulation sanguine ou du système circulatoire, tels que l'anémie ou les maladies cardiaques.

LISTE DE SÉCURITÉ

Conformément aux procédures et spécifications homologuées dans UL Subject 2728-2009 « Appareils de cuisson à combustible à granulés » et ULC/ORD C272 et Canadian CSA C22.2 #3 "pour les caractéristiques électriques d'équipement de combustion de carburant". Les appareils de cuisson à granulés de Pit Boss Grills ont été testés indépendamment et classés par Intertek (un laboratoire d'essai accrédité) aux normes ETL, UL, ULC et CSA.



AVIS SUR LES DROITS D'AUTEUR

Droit d'auteur 2019. Tous droits réservés. Nulle partie de ce manuel ne peut être reproduite, transmises, transcrite ou stockée dans un système de recherche de quelque façon que ce soit sans l'autorisation préalable écrite de,

Dansons

3411 North 5th Avenue, Suite 500, Phoenix, AZ, USA 85013
sales@pitboss-grills.com | service@pitboss-grills.com
www.pitboss-grills.com

Service à la clientèle

Du lundi au samedi, de 4 h à 20 h HP (ANG/FR/ES)

Ligne sans frais: 1-877-303-3134, télécopie: 1-877-303-3135

TABLE DES MATIÈRES

| | | | |
|---|----|--|----|
| Informations de sécurité | 31 | Entretien et maintenance | 45 |
| Pièces et spécifications | 35 | Utilisation du combustible en granulés de bois | 46 |
| Préparation de l'assemblage | 36 | Lignes directrices pour la cuisine | 47 |
| Instructions d'assemblage | | Conseils et techniques | 49 |
| Montage des pieds au baril principal | 36 | Dépannage | 50 |
| Montage des roues aux pieds | 37 | Diagramme de fil électrique | 53 |
| Installation de l'étagère inférieure | 37 | Pièces de rechange | |
| Fixation du bouchon du couvercle | 37 | Pièces de rechange de grill | 54 |
| Fixation de la poignée du couvercle | 37 | Pièces de rechange de trémie | 55 |
| Installation du thermomètre..... | 38 | Garantie | |
| Placer le seau à graisse | 38 | Conditions..... | 55 |
| Installation des composants de cuisson | 38 | Exceptions..... | 56 |
| Connexion à une source d'alimentation | 39 | Commande de pièces de remplacement..... | 56 |
| Mode d'emploi | | Appelez le service à la clientèle | 56 |
| Environnement du grill..... | 40 | Service de garantie | 56 |
| Gammes de température du grill | 41 | Accessoires vendus séparément | 57 |
| Comprendre le tableau de contrôle | 42 | Recettes..... | 57 |
| Comprendre le réglage « P » | 43 | | |
| Procédure d'amorçage de la trémie..... | 43 | | |
| Première utilisation – Combustion initiale..... | 44 | | |
| Procédure de démarrage automatique..... | 44 | | |
| Procédure de démarrage manuelle..... | 44 | | |
| Éteindre votre grill | 45 | | |

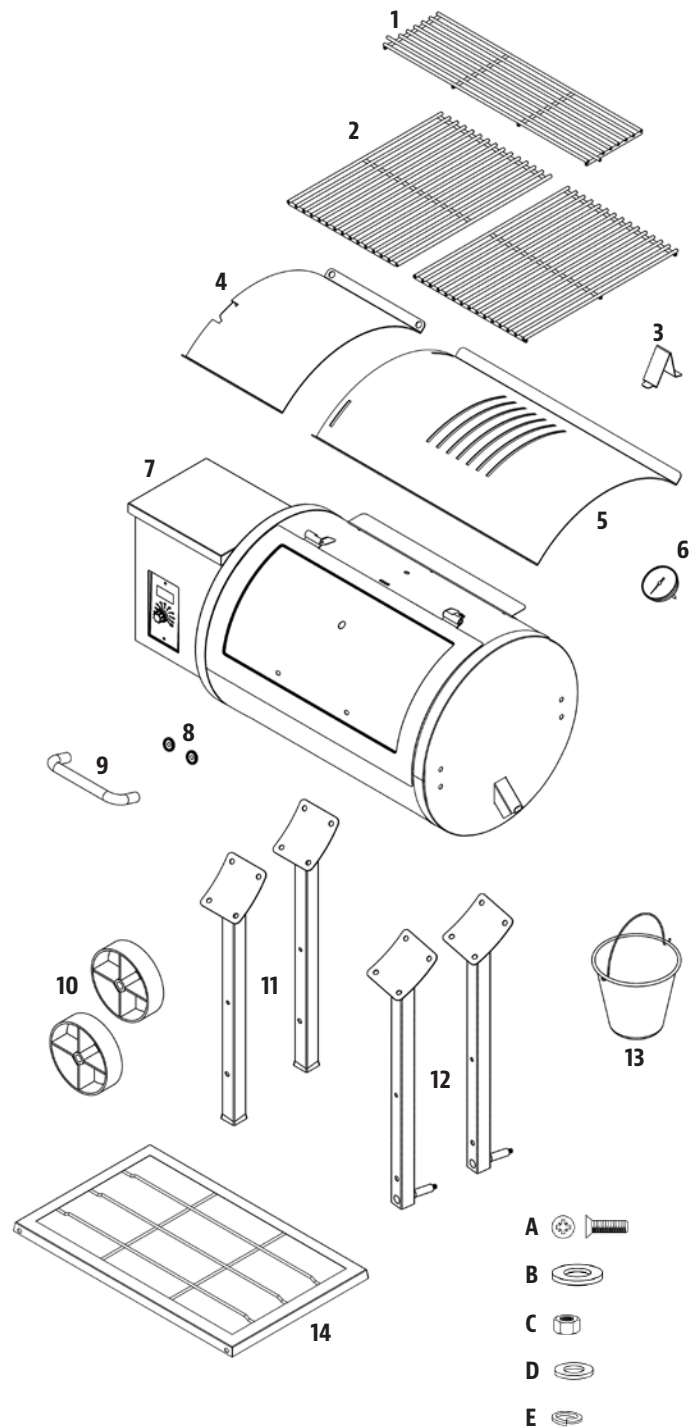
PIÈCES ET SPÉCIFICATIONS

| No. | Description |
|-----|--|
| 1 | Grille de cuisson supérieure en acier revêtu de porcelaine |
| 2 | Grilles de cuisson en fonte revêtue de porcelaine (x2) |
| 3 | Bouchon du couvercle |
| 4 | Chaudière glissière |
| 5 | Chaudière planche principale |
| 6 | Thermomètre |
| 7 | Baril principal / assemblage de la trémie |
| 8 | Cadran de la poignée du couvercle (x2) |
| 9 | Poignée du couvercle |
| 10 | Roues en métal (x2) |
| 11 | Jambe fixe (x2) |
| 12 | Pied avec essieu de roue (x2) |
| 13 | Seau de graisse |
| 14 | Étagère Inférieure |
| A | Vis (x20) |
| B | Rondelle (x2) |
| C | Écrou (x2) |
| D | Rondelle (x20) |
| E | Rondelle de blocage (x20) |

REMARQUE : En raison du développement continu du produit, les pièces peuvent être modifiées sans préavis. Contactez le service clientèle si des pièces manquent lors de l'assemblage de l'appareil.

PB – EXIGENCES ÉLECTRIQUES

110-120V, 60HZ, 275W, FICHE À 3 BROCHES MISE À LA TERRE



| MODÈLE | UNITÉ ASSEMBLÉE (WxHxD) | POIDS DE L'UNITÉ | SURFACE DE CUISSON | GAMME DE TEMPÉRATURES | CARACTÉRISTIQUES NUMÉRIQUES |
|------------|---|-----------------------|--|-------------------------|--|
| PB PB700FB | 1 049mm x 1 112mm x 678mm / 41,2po x 43,7po x 26,6po | 54,4 kg / 120,0 lb | Principale - 3,271 cm ² / 507 po ² Grille supérieure - 1,245 cm ² / 193 po ² TOTAL - 4,516 cm ² / 700 po ² | 82-260°C / 180-500°F | Huit réglages de température, cycles de démarrage et de refroidissement, allumage électrique |

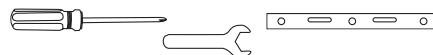
PRÉPARATION DE L'ASSEMBLAGE

Les pièces sont situées dans tout le carton d'expédition, y compris sous le gril. Inspectez la grille, les pièces et l'emballage de matériel après avoir retiré de l'emballage de protection en carton. Avant l'assemblage du produit, examinez toutes les pièces et référez-vous à la liste des pièces. En cas de pièce manquante ou endommagée, ne tentez pas d'assembler. Les dommages lors de l'expédition ne sont pas couverts par la garantie. Contactez votre revendeur ou le service à la clientèle de Pit Boss pour les pièces : Du lundi au samedi, de 4h à 20h HP (ANG/FR/ES).

service@pitboss-grills.com | Ligne sans frais : 1-877-303-3134 | Télécopieur sans frais : 1-877-303-3135

IMPORTANT : Pour faciliter l'installation, être deux personnes est utile (mais pas nécessaire) lors de l'assemblage de cette unité.

Outils nécessaires pour l'assemblage : tournevis, clé et niveau d'eau. *Outils non inclus.*



INSTRUCTIONS D'ASSEMBLAGE

REMARQUE : Pour toutes les étapes suivantes, ne pas serrer complètement les vis jusqu'à ce que toutes les vis de cette étape aient été installées. Une fois toutes les vis installées, serrez-les correctement. La combinaison de matériel impliquant une rondelle et une rondelle de blocage doit être installée avec la rondelle de verrouillage la plus proche de la tête de la vis.

1. MONTAGE DES PIEDS AU BARIL PRINCIPAL

Pièces nécessaires :

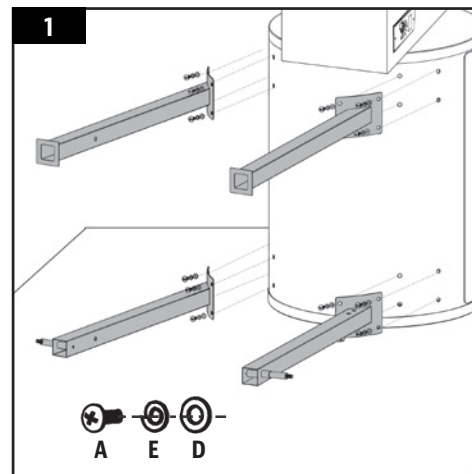
- 1 x Baril principal (#7)
- 2 x Pied fixe (#11)
- 2 x Pied avec roue (#12)
- 16 x Vis (#A)
- 16 x Rondelle de Blocage (#E)
- 16 x Rondelle (#D)

Installation :

- Placez un morceau de carton sur le sol pour éviter de rayer l'appareil. Posez le baril principal sur le côté, la trémie pointant vers le haut, sur le carton. Note illustration.
- Monter un pied avec l'essieu de la roue à l'extrémité côté sol du baril principal à l'aide de quatre vis, des rondelles de blocage et des rondelles, à travers les quatre trous pré-percés. Répétez l'installation pour le deuxième pied avec essieu de roue.

REMARQUE : Les deux trous sur l'autre pied restent inutilisés.

- Monter un pied fixe sur l'extrémité trémie du baril principal à l'aide de quatre vis, des rondelles de blocage et des rondelles, à travers les quatre trous pré-percés. Répétez l'installation pour le deuxième pied fixe.



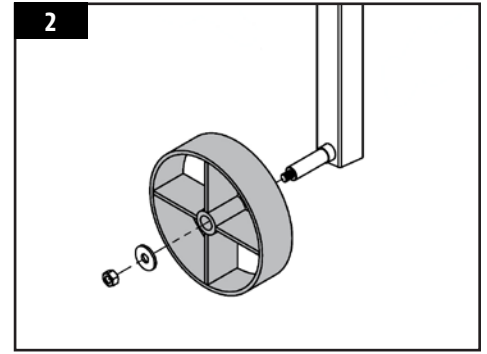
2. MONTAGE DES ROUES AUX PIEDS

Pièces nécessaires :

- 2 x Roue en métal (#7)
- 2 x Rondelle (#B)
- 2 x Écrou (#C)

Installation :

- Faites glisser une roue métallique sur chaque pied avec essieu de roue. Sécurisez à l'aide d'une rondelle et d'un écrou. Faites tourner chaque roue afin de vous assurer qu'elle tourne librement.



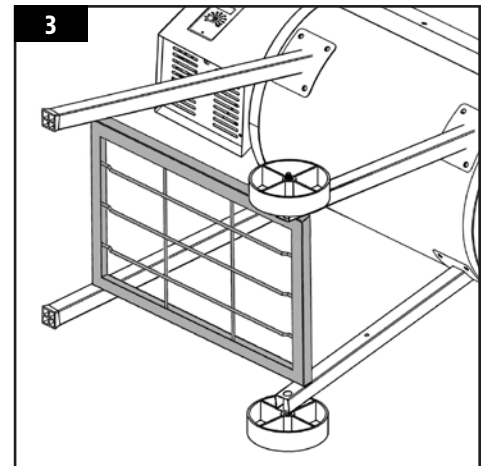
3. INSTALLATION DE L'ÉTAGÈRE INFÉRIEURE

Pièces nécessaires :

- 1 x Étagère Inférieure (#14)
- 4 x Vis (#A)
- 4 x Rondelle de Blocage (#C)
- 4 x Rondelle (#B)

Installation :

- Depuis le dessous, fixez l'étagère inférieure à chaque pied à l'aide d'une vis, d'une rondelle de blocage et d'une rondelle. Assurez-vous que la surface plane de l'étagère est orientée vers le haut. Une fois que l'étagère est bien fixée, soulevez soigneusement le gril dans une position verticale.



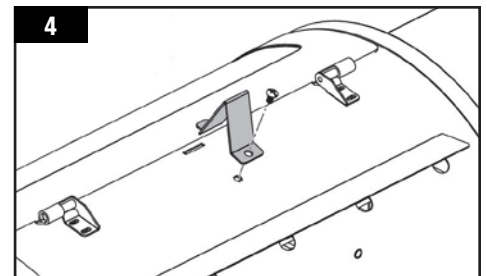
4. FIXATION DU BOUCHON DU COUVERCLE

Pièces nécessaires :

- 1 x Bouchon de couvercle (#3)

Installation :

- Fixez le bouchon du couvercle sur le dessus du barillet principal en utilisant la vis préinstallée sur le dessus.



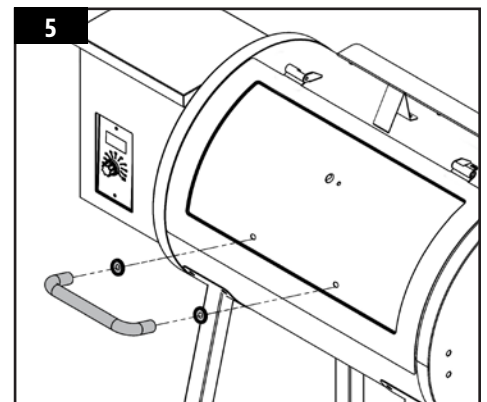
5. MONTAGE DE LA POIGNÉE DU COUVERCLE

Pièces nécessaires :

- 1 x Poignée de couvercle (#9)
- 2 x Cadran de la poignée du couvercle (#8)

Installation :

- Retirez les vis préinstallées de la poignée du couvercle. De l'intérieur du couvercle du baril, insérez une vis pour la faire sortir vers l'extérieur. Ajoutez un cadran sur la vis, puis serrez à la main la vis (de l'intérieur) dans la poignée du couvercle.
- Répétez cette étape pour l'autre extrémité de la poignée.



6. INSTALLATION DU THERMOMÈTRE

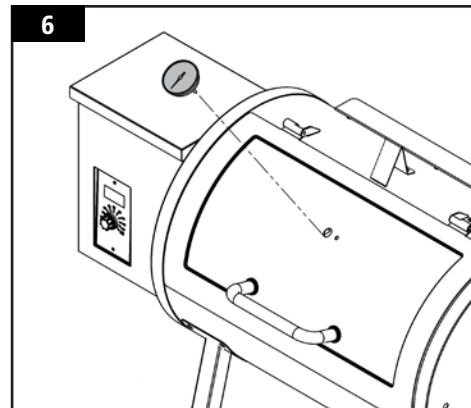
Pièces nécessaires :

- 1 x Thermomètre (#6)

Installation :

- Retirez l'écrou préinstallé du thermomètre.
- Insérez le thermomètre dans le trou fourni sur le dessus du couvercle sur le baril principal, puis fermez-le en réinstallant l'écrou de l'intérieur. Tournez le thermomètre afin que le texte soit à niveau et vertical.

REMARQUE : Si la rotation est inclinée, cela entraînera des lectures incorrectes.



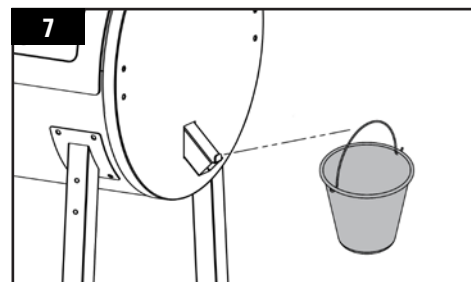
7. PLACER LE SEAU À GRAISSE

Pièces nécessaires :

- 1 x Seau à graisse (#13)

Installation :

- Placez le seau à graisse sur le crochet sur le bord du baril principal. Assurez-vous qu'il soit à niveau pour éviter les déversements de graisse.



8. INSTALLATION DES COMPOSANTS DE CUISSON

Pièces nécessaires :

- 2 x Grilles de cuisson (#2)
 1 x Grille de cuisson supérieur (#1)
 1 x Plaque principale du grilloir à flamme (#5)
 1 x Glissière du grilloir à flamme (#4)

Installation :

REMARQUE : Les deux pièces de flamme sont légèrement recouvertes d'huile pour éviter la rouille lorsqu'elles sont expédiées.

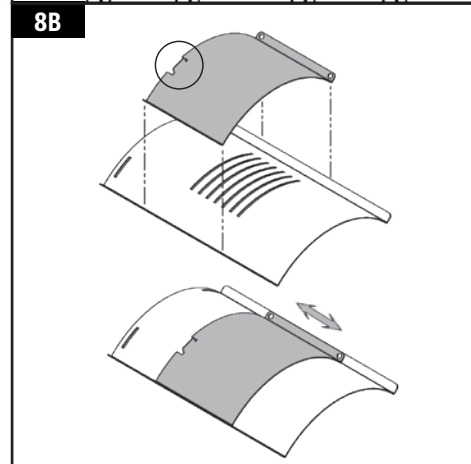
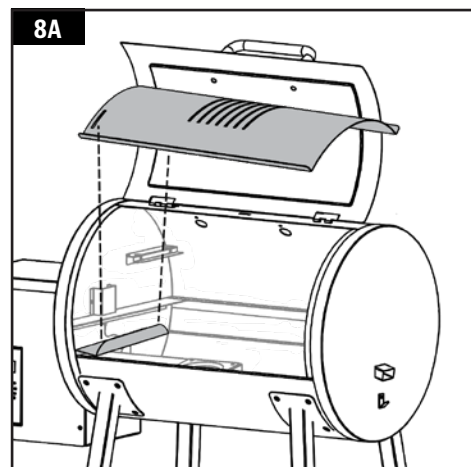
- Insérez la plaque principale de la chaudière dans le gril principal, côté droit en premier. Reposez la plaque principale de la chaudière sur le rebord intégré (à l'intérieur à droite) du gril principal qui dirige la graisse vers le seau à graisse. Faites glisser la pièce entière sur le côté gauche, et les deux fentes de la plaque principale de la chaudière vont entrer dans le rebord arrondi au-dessus du pot de combustion. Il se placera légèrement incliné vers le bas. Note illustration 8A.

IMPORTANT : Si la chaudière plateau principal est à la base de la gril principal, elle est installée de manière incorrecte. Le gril à flamme doit être incliné, le côté gauche étant plus haut que le côté droit.

- Placez la glissière de la chaudière sur la plaque principale de la chaudières, couvrant les ouvertures à fentes. Assurez-vous que la patte surélevée est sur la gauche, pour ajuster facilement les flammes directes ou indirectes lors de la cuisson. Note illustration 8B,

REMARQUE : Lorsque la glissière de la chaudière est ouverte, et que la flamme directe est utilisée pendant la cuisson, ne laissez pas le gril sans surveillance pendant une période quelconque.

- Placez les grilles de cuisson, côte à côte, sur le rebord de la grille à l'intérieur du gril principal. Placez la grille de cuisson supérieure sur le



rebord supérieur à l'intérieur du gril principal. La grille de cuisson se mettra en place.

- L'appareil est maintenant complètement assemblé.

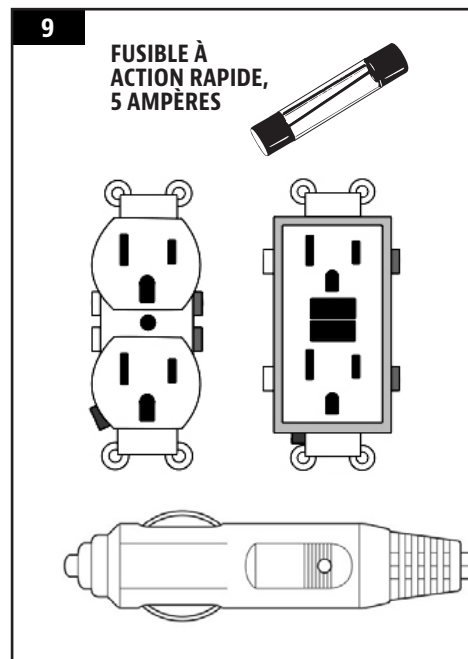
REMARQUE : Pour maintenir les performances abrasives et griller de vos grilles de cuisson, des soins et une maintenance réguliers sont nécessaires.

9. CONNEXION À UNE SOURCE D'ALIMENTATION

REMARQUE : Avant de brancher votre Pit Boss dans une prise électrique, assurez-vous que la molette de température est en position OFF.

- **PRISE STANDARD**
Cet appareil nécessite un voltage de 110 Volts, 60hz, 275w, 5 ampères. Il doit utiliser une fiche de mise à la terre à 3 broches. Assurez-vous que la mise à la terre n'est pas rompue avant utilisation. Le contrôle utilise un fusible à action rapide de 5 ampères et 120 volts pour protéger le panneau de l'allumeur.
- **LES PRISES GFCI**
Cet appareil fonctionnera sur la plupart des prises GFCI, avec une taille recommandée de 15 ampères. Si votre prise GFI est très sensible aux surtensions, elle sera probablement touchée par un court-circuit pendant la phase d'allumage. Pendant la phase d'allumage, l'allumeur nécessite entre 200 et 700 watts de tension, ce qui peut représenter trop de puissance pour une prise GFI. Chaque fois qu'il y a une surtension, il augmente sa sensibilité. Si le GFCI continue de sauter, remplacez la prise ou passez à une prise non GFCI.
- **SUR LA ROUTE**
Débranchez l'allumeur du faisceau de câbles principal. Utilisez la procédure de démarrage manuelle. Une unité Pit Boss peut fonctionner en utilisant un onduleur de 12 volts et 100 watts branché sur votre prise automobile. Pour utiliser l'allumeur automatique, il est recommandé d'utiliser au minimum un onduleur de 1000 watts.

IMPORTANT: Débranchez l'appareil de la source d'alimentation lorsqu'il n'est pas utilisé.



MODE D'EMPLOI

Avec le style de vie actuel pour s'efforcer de manger des aliments sains et nutritifs, un facteur à considérer est l'importance de réduire la consommation de graisse. L'une des meilleures façons de réduire les graisses dans votre régime alimentaire est d'utiliser une méthode de cuisson faible en matières grasses, tel que le gril. Comme une grille à granulés utilise des granulés de bois naturels, la saveur de bois savoureux est cuite dans les viandes, ce qui réduit le besoin de sauces à haute teneur en sucre. Tout au long de ce manuel, vous remarquerez l'accent mis sur le grillage des aliments lentement aux réglages de température FAIBLE ou MOYENNE.

ENVIRONNEMENT DU GRIL

1. OÙ INSTALLER LE GRILL

Avec tous les appareils extérieurs, les conditions météorologiques extérieures jouent un rôle important dans la performance de votre gril et le temps de cuisson nécessaire pour parfaire vos repas. Toutes les unités Pit Boss devraient garder un dégagement minimum de 305 mm (12 pouces) des constructions combustibles, et cette distance doit être maintenue pendant la cuisson. Cet appareil ne doit pas être placé sous un plafond ou un surplomb combustible. Gardez votre gril dans une zone dégagée et exempte de matières combustibles, d'essence et d'autres vapeurs et liquides inflammables.

2. CUISINER PAR TEMPS FROIDS

Lorsqu'il commence à faire plus frais à l'extérieur, cela ne signifie pas que la saison des grillades est terminée! L'air frais et l'arôme divin des aliments fumés aideront à guérir votre blues d'hiver.

Suivez ces suggestions sur la façon de profiter de votre gril pendant les mois les plus frais:

- Si le fumage à basse température échoue, augmentez légèrement la température pour obtenir les mêmes résultats.
- Organisez – Préparez tout ce dont vous avez besoin dans la cuisine avant de vous diriger à l'extérieur. Pendant l'hiver, déplacez votre gril dans un endroit protégé du vent et du froid. Vérifiez les règlements locaux concernant la proximité de votre gril par rapport à votre maison et/ou autres constructions. Mettez tout ce dont vous avez besoin sur un plateau, emballez et lancez-vous!
- Pour suivre la température extérieure, placez un thermomètre extérieur près de votre zone de cuisson. Gardez un journal ou un historique de ce que vous avez préparé, de la température extérieure et du temps de cuisson. Cela sera utile plus tard pour vous aider à déterminer ce qu'il faut cuisiner et combien de temps cela prendra.
- Par temps très froid, augmentez votre temps de préchauffage d'au moins 20 minutes.
- Évitez de soulever le couvercle du gril plus que nécessaire. Les rafales de vents froids peuvent refroidir complètement la température de votre gril. Soyez souple quant au moment de servir; ajoutez de plus à la cuisson à chaque fois que vous ouvrez le couvercle.
- Ayez un plateau chauffé ou un couvercle de plat prêt à garder votre nourriture au chaud tout en faisant le voyage à l'intérieur.
- Les aliments idéaux pour la cuisine d'hiver sont ceux qui nécessitent peu d'attention, comme les rôtis, les poulets entiers, les côtes et la dinde. Rendez votre préparation de repas encore plus facile en ajoutant des éléments simples comme les légumes et les pommes de terre.

3. CUISINER PAR TEMPS CHAUDS

À mesure qu'il fait plus chaud à l'extérieur, le temps de cuisson diminue. Une tenue correcte est importante quand il fait vraiment chaud: un short, t-shirt, des chaussures, un chapeau, un tablier et une grosse portion de crème solaire sont recommandés.

Suivez ces suggestions sur la façon de profiter de votre gril pendant les mois chauds:

- Ajustez à la baisse vos températures de cuisson. Cela permet d'éviter les poussées indésirables.
- Utilisez un thermomètre à viande pour déterminer la température interne de vos aliments. Ceci permet d'éviter que votre viande ne soit trop cuite ou se dessèche.

- Même par temps chaud, c'est mieux de cuisiner en gardant le couvercle de votre gril baissé.
- Vous pouvez garder vos aliments chauds au chaud en les enveloppant dans du papier aluminium et en les plaçant dans une glacière isolée. Placez du papier journal froissé autour du papier aluminium et cela tiendra la nourriture chaude pendant 3 à 4 heures.

GAMMES DE TEMPÉRATURE DU GRIL

Les lectures de température sur le panneau de contrôle peuvent ne pas correspondre exactement au thermomètre. Toutes les températures indiquées ci-dessous sont approximatives et sont affectées par les facteurs suivants: la température ambiante extérieure, la quantité et la direction du vent, la qualité du combustible à granulés utilisé, le couvercle ouvert et la quantité de nourriture en cours de cuisson.

- *TEMPÉRATURES ÉLEVÉES (205-260°C / 401-500°F)*

Cette gamme est de préférence utilisée pour sécher et griller à haute température. Utiliser en tandem avec la chaudière (plateau latéral) pour une cuisson indirecte ou directe de la flamme. Lorsque **la chaudière est ouverte**, la flamme directe est utilisée pour créer ces steaks « blue » ainsi que des légumes à la flamme, des toasts à l'ail ou même des s'mores! Lorsque **la chaudière est fermée**, l'air circule autour du baril ce qui conduit à une chaleur de convection. La température élevée est également utilisée pour préchauffer votre gril, brûler les grilles de cuisson et obtenir un feu vif par froid extrême..

- *TEMPÉRATURE MOYENNE (135-180°C / 275-356°F)*

Cette gamme est idéale pour cuire au four, rôtir et terminer votre création à fumaison lente. La cuisson à ces températures réduira considérablement les risques de poussée de graisse. Assurez-vous que la glissière de chaudière est en position fermée, couvrant les ouvertures à fente. Excellente gamme pour cuisiner n'importe quoi enveloppé dans du bacon, ou où vous voulez une polyvalence avec contrôle.

- *BASSE TEMPÉRATURE (80-125°C / 176-257°F)*

Cette gamme permet rôtir lentement, d'augmenter la saveur fumée et de garder les aliments au chaud. Infusez plus de saveur fumée et gardez vos viandes juteuses en cuisinant plus longtemps à une température plus basse (également connu sous le nom de **faible et lent**). Il est recommandé pour la grande dinde pour Thanksgiving, jambon juteux à Pâques, ou l'immense fête de Noël.

Le fumage est une variation de vrai barbecue et est vraiment le premier avantage de la cuisson sur un gril à pastilles de bois. **Le fumage à chaud**, un autre nom pour la cuisson **faible et lente**, se fait généralement à 82-122°C / 180-250°F. Le fumage à chaud fonctionne mieux lorsqu'un temps de cuisson plus long est nécessaire, comme pour les grandes coupes de viande, de poisson ou de volaille.



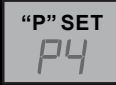

CONSEIL: Pour intensifier cette saveur salée, passez à la température de fumée (basse) immédiatement après avoir mis vos aliments sur le gril. Cela permet à la fumée de pénétrer dans les viandes.

La clé consiste à expérimenter le temps que vous autorisez à fumer, avant que le repas ne soit cuit. Certains chefs de plein air préfèrent fumer à la fin d'une cuisson, ce qui permet à la nourriture de rester au chaud jusqu'à ce qu'elle soit prête à être servie. La pratique rend parfait!

COMPRENDRE LE TABLEAU DE CONTRÔLE



FRANÇAIS

| FONCTIONNALITÉ | DESCRIPTION | | | | | | | | | | | | | | | | | | |
|---|---|-----------|-------------|-----|---|--------------|--|------------------|------------------------------------|---------------|---|----------------------|--|-----|-----------------------|-----|--|-----|---|
|  Off | Le cadran de réglage des températures vous permet de configurer la température de fumage de votre choix. Tournez la poignée pour sélectionner l'un des huit pré-réglages de la température sous Smoke (Fumer) ou pour sélectionner High (Élevé). | | | | | | | | | | | | | | | | | | |
| Smoke | Le paramètre Smoke (Fumer) du cadran de réglage de la température est le mode Start-up (Démarrage) de l'unité. Le gril fonctionne à la température la plus basse sans que le feu ne s'éteigne. | | | | | | | | | | | | | | | | | | |
| High | Le paramètre High (Élevé) du cadran de réglage de la température est le niveau de chaleur le plus élevé de l'unité. Le gril fonctionne à la température la plus élevée. Lorsque le couvercle est ouvert, le gril fonctionnera à cette vitesse pour compenser la perte de chaleur dans le baril. | | | | | | | | | | | | | | | | | | |
|    | <p>L'écran DEL sert de centre d'information pour votre unité. L'écran DEL affichera la température de cuisson de votre choix (Configurée), la température de cuisson réelle (Réelle) et le réglage « P » sélectionné (Réglage « P »). Consultez la rubrique intitulée Dépannage pour en savoir plus sur les codes d'erreur.</p> <table border="1"> <thead> <tr> <th>AFFICHAGE</th> <th>DESCRIPTION</th> </tr> </thead> <tbody> <tr> <td>888</td> <td>Affiche une fois lorsque le gril est connecté à l'alimentation secteur.</td> </tr> <tr> <td>Clignotement</td> <td>La température du gril est en dessous de 66°C / 150°F.</td> </tr> <tr> <td>Clignotement ...</td> <td>Indique que l'allumeur est allumé.</td> </tr> <tr> <td>RÉGLAGE « P »</td> <td>Indique le réglage « P » sélectionné actuellement</td> </tr> <tr> <td>CONFIGURER (« SET »)</td> <td>Indique la température de cuisson souhaitée.</td> </tr> <tr> <td>ErH</td> <td>Le gril a surchauffé.</td> </tr> <tr> <td>ErR</td> <td>Le fil de la sonde de température n'arrive pas à établir une connection.</td> </tr> <tr> <td>ErP</td> <td>Une interruption de l'alimentation s'est produite pendant que le gril fonctionnait.</td> </tr> </tbody> </table> | AFFICHAGE | DESCRIPTION | 888 | Affiche une fois lorsque le gril est connecté à l'alimentation secteur. | Clignotement | La température du gril est en dessous de 66°C / 150°F. | Clignotement ... | Indique que l'allumeur est allumé. | RÉGLAGE « P » | Indique le réglage « P » sélectionné actuellement | CONFIGURER (« SET ») | Indique la température de cuisson souhaitée. | ErH | Le gril a surchauffé. | ErR | Le fil de la sonde de température n'arrive pas à établir une connection. | ErP | Une interruption de l'alimentation s'est produite pendant que le gril fonctionnait. |
| AFFICHAGE | DESCRIPTION | | | | | | | | | | | | | | | | | | |
| 888 | Affiche une fois lorsque le gril est connecté à l'alimentation secteur. | | | | | | | | | | | | | | | | | | |
| Clignotement | La température du gril est en dessous de 66°C / 150°F. | | | | | | | | | | | | | | | | | | |
| Clignotement ... | Indique que l'allumeur est allumé. | | | | | | | | | | | | | | | | | | |
| RÉGLAGE « P » | Indique le réglage « P » sélectionné actuellement | | | | | | | | | | | | | | | | | | |
| CONFIGURER (« SET ») | Indique la température de cuisson souhaitée. | | | | | | | | | | | | | | | | | | |
| ErH | Le gril a surchauffé. | | | | | | | | | | | | | | | | | | |
| ErR | Le fil de la sonde de température n'arrive pas à établir une connection. | | | | | | | | | | | | | | | | | | |
| ErP | Une interruption de l'alimentation s'est produite pendant que le gril fonctionnait. | | | | | | | | | | | | | | | | | | |
| «P» SET | Le bouton de réglage « P » est utilisé pour sélectionner l'un des huit réglages de précision des températures. Utilisez cette fonctionnalité pour modifier le réglage « P » pour qu'il s'adapte | | | | | | | | | | | | | | | | | | |

à votre style de cuisine et à votre environnement de cuisson. En appuyant brièvement sur le bouton encastré, le paramètre augmente de P0 à P7, puis recommence. Il est mieux de faire des réglages lorsque le cadran de réglage de la température est configuré sur Smoke (« Fumer »), ce qui permet le contrôle manuel du système d'alimentation des granulés. Le paramètre par défaut est « P4 ».

COMPRENDRE LE RÉGLAGE « P »

Lorsque le bouton du réglage « P » en retrait est enfoncé, le réglage « P » affiché sur l'écran LCD clignotera et passera à la valeur suivante (vers le haut). Une fois que P7 est atteint, il redémarre à P0. Il existe huit paramètres « P », allant de P0 à P7. Le bouton du réglage « P » en retrait peut être enfoncé à l'aide d'un objet à pointe fine.

IMPORTANT: N'appuyez pas trop fort sur le bouton du réglage « P », cela pourrait causer des dommages. Seule une poussée légère est nécessaire.

• UTILISATION DU PARAMÈTRE « P » EN MODE FUMÉE

Chaque fois que le cadran de température est réglé sur FUMÉE, tel que le cycle de démarrage, la tarière fonctionnera plus sur un mode de cuisson manuel en fonction de l'une des températures de numérotation prédéfinies. Tout d'abord, la vis sans fin tournera en permanence et alimentera les granulés pendant quatre minutes. Au bout de quatre minutes, la vis commence à exécuter un cycle d'alimentation en fonction du réglage "P" sélectionné sur la carte de commande numérique. Le réglage par défaut est P4.

| RÉGLAGE "P" | CYCLE DE LA TARIÈRE (secondes) | |
|-------------|--------------------------------|------------|
| | ACTIVÉE | ARRÊTER |
| P0 | 18 | 55 |
| P1 | 18 | 70 |
| P2 | 18 | 85 |
| P3 | 18 | 100 |
| *P4 | 18 | 115 |
| P5 | 18 | 130 |
| P6 | 18 | 140 |
| P7 | 18 | 150 |

** Réglage par défaut*

PROCÉDURE D'AMORÇAGE DE LA TRÉMIE

Ces instructions doivent être suivies la première fois que le gril est allumé, et à chaque fois que le gril est à court de granulés dans la trémie. La tarière doit être amorcée pour permettre aux granulés de traverser la longueur de la vis sans fin et remplir le pot de combustion. **S'il n'est pas amorcé, l'allumeur s'arrêtera avant que les granulés ne soient allumés et aucun feu commencera.** Suivez ces étapes pour amorcer la trémie:

1. Ouvrez le couvercle de la trémie. Veillez à ce qu'il n'y ait pas d'objets étrangers dans la trémie ou dans la vis sans fin.
2. Retirez tous les composants de cuisson de l'intérieur du gril. Trouver le pot de combustion dans le fond du baril principal.
3. Avec **la molette de température** en position « OFF », branchez le cordon d'alimentation dans une source d'alimentation.
4. Tournez **la molette de température** sur la position « SMOKE ». Vérifiez les éléments suivants:
 - Que la tarière tourne. Ne placez pas les doigts ou des objets dans le tube de la tarière. Ceci peut provoquer des blessures.
 - Placez votre main au-dessus du pot de feu et sentez s'il y a un mouvement d'air. Ne placez pas votre main ou vos doigts dans le pot de feu. Ceci peut provoquer des blessures.
 - Après environ une minute, vous devriez sentir l'allumeur brûler et commencer à sentir l'air qui devient plus chaud. Le bout de l'allumeur ne deviendra pas rouge. Ne touchez pas l'allumeur. Cet élément devient extrêmement chaud et brûlant.
5. Tournez **la molette de température** sur « OFF ».
6. Remplissez la trémie avec des granules de bois de barbecue naturel.
7. Tournez **la molette de température** sur SMOKE. Attendez environ 3 minutes pour que les pellets commencent à tomber dans le pot de combustion à partir du tube de la vis sans fin. Une fois que les granulés commencent à tomber dans le pot à feu, tournez le bouton de température sur OFF et laissez le gril refroidir.
8. Réinstallez les composants de cuisson à l'intérieur. Le gril est maintenant prêt à l'emploi. (Voir les *instructions d'assemblage* pour assurer une installation correcte des composants de cuisson.)

PREMIÈRE UTILISATION – CONBUSTION INITIALE

Une fois que votre trémie a été amorcée et avant de cuisiner sur votre gril pour la première fois, il est important de compléter le brûler du gril. Démarrez le gril et faites le fonctionner à toute température supérieure à 176 ° C / 350 ° F avec le couvercle fermé pendant 30 à 40 minutes pour brûler le gril et le débarrasser de toute matière étrangère.

PROCÉDURE DE DÉMARRAGE AUTOMATIQUE

1. Ouvrez le couvercle du baril. Vérifiez le pot de combustion pour s'assurer qu'il n'y a pas d'obstruction pour un allumage correct. Ouvrez le couvercle de la trémie. Veillez à ce qu'il n'y ait pas d'objets étrangers dans la trémie ou le système d'alimentation. Remplir la trémie avec des granulés de bois de barbecue durs. Branchez le cordon d'alimentation dans une source d'alimentation mise à la terre.
2. Assurez-vous que la **molette de contrôle de la température** est en position FUMÉE. Appuyez sur le **bouton d'alimentation** pour allumer l'appareil. Cela activera le cycle de démarrage. Le système d'alimentation de la tარიère commencera à tourner, l'allumeur commencera à briller et le ventilateur fournira de l'air au pot de combustion. La grille commencera à produire de la fumée pendant le cycle de démarrage. Le couvercle du baril doit rester ouvert pendant le cycle de démarrage. Pour confirmer que le cycle de démarrage a commencé correctement, écoutez un rugissement torche et remarquez que de la chaleur est produite.
3. Une fois que la fumée blanche épaisse s'est dissipée, le cycle de démarrage est terminé et vous êtes prêt à profiter de votre gril!

PROCÉDURE DE DÉFAILLANCE D'ALLUMAGE

Si, pour une raison quelconque, votre allumeur électrique échoue ou la flamme de votre gril s'éteint pendant la cuisson, vérifiez les étapes suivantes ou allumez votre gril en utilisant la méthode manuelle.

1. Assurez-vous que la **molette de contrôle de la température** est en position de FUMÉE. Ouvrez le couvercle. Retirez les composants de cuisson du gril. Enlevez tous les granulés non brûlés et les cendres du pot de combustion. Évitez de toucher l'allumeur pour éviter les blessures, car il sera extrêmement chaud..
2. Une fois que toutes les pièces sont retirées et nettoyées, tournez **la molette de température** sur « SMOKE ». Vérifiez ce qui suit:
 - Confirmez visuellement que l'allumeur fonctionne en plaçant votre main au-dessus du pot de combustion et en sentant s'il émet de la chaleur.
 - Confirmez visuellement que l'allumeur dépasse environ 13 mm / 0,5 pouces dans le pot de combustion.
 - Confirmez visuellement que la tარიère large des granulés dans le pot de combustion
 - Confirmez que le ventilateur de combustion fonctionne en écoutant.
3. Si l'un des points ci-dessus ne fonctionne pas, suivez les instructions de **dépannage**.

PROCÉDURE DE DÉMARRAGE MANUELLE

1. Assurez-vous de la **molette de contrôle de la température** est en position de **OFF**. Branchez le cordon d'alimentation dans une source d'alimentation mise à la terre..
2. Vérifiez le pot de combustion pour s'assurer qu'il n'y a pas d'obstruction pour un allumage correct. Ouvrez le couvercle de la trémie. Veillez à ce qu'il n'y ait pas d'objets étrangers dans la trémie ou le système d'alimentation. Remplissez la trémie avec des granulés de bois de barbecue naturels et secs.
3. Ouvrez le couvercle du baril. Retirez les composants de cuisson pour exposer le pot de combustion. Déposez une poignée généreuse de granulés dans le pot de combustion. Jetez un démarreur à froid gélifié, ou un autre démarreur approprié, sur le dessus des granulés. Une petite quantité d'allume feu de combustibles solides, comme par exemple composé de sciure de bois et de cire, ou des copeaux de bois, est également appropriée. Ajoutez une autre petite quantité de granulés dans le pot de combustion.

REMARQUE : NE PAS utiliser d'alcool, d'essence, de pétrole, d'essence à briquet ou du kérosène pour allumer ou faire reprendre un feu dans votre gril.

- Allumez le contenu du pot de combustion à l'aide d'une longue allumette ou d'un briquet à nez long. Laissez l'allume-feu brûler pendant 3 à 5 minutes. N'essayez pas d'ajouter plus de d'allume-feux dans le pot de combustion. Ceci peut provoquer des blessures.
- Remplacez rapidement et soigneusement les composants de cuisson à l'intérieur du baril. Continuez le démarrage en suivant l'étape deux de la **procédure de démarrage automatique**.

ÉTEINDRE VOTRE GRIL

- Lorsque vous avez terminé de cuisiner sur votre grill, le couvercle du baril principal restant fermé, tournez la **molette de réglage de la température** sur « OFF ».

ENTRETIEN ET MAINTENANCE

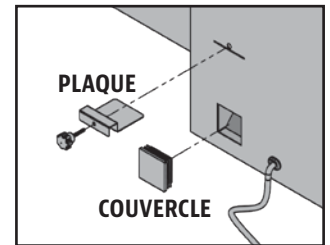
Votre grill à granulés Pit Boss vous servira fidèlement pendant de longues années tout en minimisant les efforts de nettoyage. Une étape importante est de laisser le grill et les grilles de cuisson s'auto-nettoyer en allumant le grill à une température élevée opérant 5 à 10 minutes après chaque utilisation. Suivez ces conseils de nettoyage et de maintenance pour réviser votre grill:

1. ASSEMBLAGE DE LA TRÉMIE

- La trémie comprend une fonction de nettoyage lui permettant de se nettoyer facilement et de changer les arômes du combustible à granulés. Pour vider, placez la plaque et le couvercle de la boîte de dépôt sur la partie arrière de la trémie. Placez un seau propre et vide sous le couvercle de la boîte de dépôt, puis retirez le couvercle. Dévissez la plaque, glissez-la vers l'extérieur et les granulés se videront.

REMARQUE : Utilisez une brosse à manche long ou un aspirateur d'atelier pour retirer les excès de granulés, de sciure de bois et de débris pour un nettoyage complet à travers l'écran de la trémie.

- Vérifiez et nettoyez les débris dans les bouches d'aération du ventilateur, situé au bas de la trémie. Une fois que le panneau d'accès de la trémie est retiré (voir **Diagramme de fils électriques** pour le schéma), essuyez soigneusement toute accumulation de graisse directement sur les pales du ventilateur. Cela garantit que le flux d'air est suffisant pour le système d'alimentation.



2. LES SURFACES INTERNES

- Il est recommandé de nettoyer votre pot de combustion après chaque utilisation. Cela assurera un allumage correct et évitera toute accumulation de débris ou de cendres dans le pot de combustion.
- Utilisez une brosse de nettoyage à gri à long manche, retirez tout aliment ou accumulation des grilles de cuisson. La meilleure pratique est de faire cela alors qu'ils sont encore chauds d'une précédente cuisson. Les feux de graisse sont causés par trop de débris tombés sur les composants de cuisson du grill. Nettoyez l'intérieur de votre grill de façon régulière. Dans le cas où vous êtes confronté à un feu de graisse, gardez le couvercle du grill fermé pour étouffer l'incendie. Si l'incendie ne s'éteint pas rapidement, retirez soigneusement les aliments, éteignez le grill et fermez le couvercle jusqu'à ce que le feu soit complètement éteint. Saupoudrez légèrement de bicarbonate de soude, si disponible.

- Vérifiez souvent votre seau à graisse et nettoyez-le si nécessaire. Gardez à l'esprit le type de cuisson que vous faites
- IMPORTANT : En raison de chaleur élevée, ne couvrez pas la chaudière ni les sondes avec du papier d'aluminium.**

3. LES SURFACES EXTERNES

- Essuyez votre grill après chaque utilisation. Utilisez de l'eau chaude savonneuse pour briser la graisse. Ne pas utiliser de nettoyant à four, nettoyant abrasif ou pad sur les surfaces externes du grill. **Toutes les surfaces peintes ne sont pas couvertes par la garantie**, mais font partie de la maintenance générale et de l'entretien. Pour les rayures de peinture, l'usure ou l'écaillage de la finition, toutes les surfaces peintes peuvent être retouchées à l'aide d'une peinture à barbecue à haute chaleur.

- Utilisez une couverture pour gril afin de protéger votre gril pour une protection complète! Une couverture est votre meilleure protection contre les intempéries et les polluants extérieurs. Lorsqu'il n'est pas utilisé ou pour un stockage à long terme, conservez l'unité sous une couverture dans un garage ou un hangar.

TABLEAU DE FRÉQUENCE DE NETTOYAGE (UTILISATION NORMALE)

| ARTICLE | FRÉQUENCE DE NETTOYAGE | MÉTHODE DE NETTOYAGE |
|--------------------------------------|--|--|
| Dessous du gril principal | Toutes les 5-6 sessions de cuisson | Retirez, aspirez les excès de débris |
| Pot de combustion | Toutes les 2-3 sessions de cuisson | Retirez, aspirez les excès de débris |
| Grilles de cuisson | Après chaque session de cuisson | Brûler le surplus, Brosse en laiton |
| Chaudière | Toutes les 5-6 sessions de cuisson | Gratter la plaque principale avec un patin, ne pas laver |
| Seau de graisse | Après chaque session de cuisson | Éponge à gratter & eau savonneuse |
| Système d'alimentation de la tarière | Lorsque le récipient de granulés et vide | Permettre à la tarière de faire sortir la sciure de bois, en laissant la trémie vide |
| Composants électriques de la trémie | Une fois par an | Dépoussiérez l'intérieur, essuyez les lames de ventilateur avec de l'eau savonneuse |
| Arrivée d'air | Toutes les 5-6 sessions de cuisson | Poussière, éponge à gratter & eau savonneuse |
| Sonde de température | Toutes les 2-3 sessions de cuisson | Éponge à gratter & eau savonneuse |

UTILISATION DU CARBURANT DE GRANULÉS DE BOIS

Ces granulés de bois propres combustibles génèrent environ 8200 BTU par livre avec très peu de cendres, une faible teneur en humidité (5 à 7 %) tout en étant également neutres en carbone. Les granules de bois pour barbecue sont produits avec des matières premières pures (sciures) qui sont pulvérisées avec un broyeur à marteaux et forcées avec pression à travers une filière. Quand le granulé est forcé à travers la filière, il est cisailé, refroidi, trié, aspiré, puis emballée pour la consommation. Vérifiez auprès de votre distributeur local pour connaître la gamme d'essences disponibles dans votre région.

MÉLANGE CARYER

Saveur riche, fumée similaire à du bacon. Connue comme étant « Le roi des bois ».

MÉLANGE POMME

Saveur fumée et modérément sucrée. Fortement recommandée pour la cuisson au four.

MÉLANGE MESQUITE

Forte saveur épicée et acidulée. Pensez à la cuisine Tex-Mex.

MÉLANGE CERISE

Légèrement sucrée mais également acidulée. Offre une teinte rosée aux viandes claires.

MÉLANGE DE BARIL DE WHISKEY

Forte fumée sucrée avec goût aromatique. Parfait pour les viandes rouges.

MÉLANGE DE LA COMPÉTITION

Mélange parfait de saveurs sucrées, délicieuses et acidulées. Utilisé par de nombreux « grillers » professionnels.

REMARQUE : Conservez toujours vos granulés dans un endroit sec. Ceci poussera les granulés à absorber l'humidité et produira un rendement calorifique plus faible ou provoquera un gonflement et une dissolution des granulés. Utilisez un bac ou sceau résistant à l'humidité et pouvant être scellé à nouveau pour la conservation.

LIGNES DIRECTRICES POUR LA CUISINE

Les styles de cuisson de fumage et de grillage peuvent vous donner des résultats différents dépendant du temps et la température. Pour obtenir de meilleurs résultats, conservez un registre de tout ce que vous cuisinez, à quelle température vous le cuisinez, ainsi que les résultats. Ajustez toutes ces variables, selon vos goûts, la prochaine fois. Ce n'est qu'en s'exerçant qu'on s'améliore.

L'art culinaire du fumage à chaud équivaut à des temps de cuisson plus long, mais il produit également une saveur de bois plus naturelle (et une « **bande de fumage** ») dans vos viandes. Une température de cuisson plus élevée, ce qui veut dire moins de temps de cuisson, vous offrira moins de saveur fumée.

CONSEIL : Pour de meilleurs résultats, laisser reposer les viandes après la cuisson. Ceci permet aux jus naturels de revenir dans les fibres de la viande, produisant ainsi une coupe plus juteuse et plus savoureuse. Le temps de repos peut n'être que 3 minutes et peut même aller jusqu'à 60 minutes, selon la taille des protéines.

| STYLE DE CUISSON | FUMAGE CHAUD (très faible) | RÔTI (faible) | CUISSON FOUR (moyen) | GRILLAGE/CUISSON FOUR (moyen/élevé) | SAISIR (élevé) |
|-----------------------|----------------------------|-------------------------|-------------------------|-------------------------------------|-------------------------|
| Gamme de températures | 93-135 °C / 199-275 °F | 135-162 °C / 275-323 °F | 162-190 °C / 323-374 °F | 190-232 °C / 374-449 °F | 232-260 °C / 449-500 °F |

| VOLAILLE | TAILLE | Saignant - 54°C / 130°F | À point - 60°C / 140°F | Bien cuit - 77°C / 170°F |
|--------------------------|--|-------------------------|------------------------|---|
| Dinde (<i>entière</i>) | 4,5-5,0 kg / 10-11 lbs. 5,3-6,4 kg / 12-14 lbs. 6,8-7,7 kg / 15-17 lbs. 8,2-10,0 kg / 18-22 lbs. 10,4-11,3 kg / 23-25 lbs. | | | Gril 90 - 120 minutes Gril 110 - 140 minutes Gril 130 - 160 minutes Gril 140 - 170 minutes Gril 150 - 180 minutes |
| Poulet (<i>entier</i>) | 1,36-2,26 kg / 3-5 lbs. | | | Gril 1 - 1.5 heures |
| Pilons, poitrines | 0,45 - 0,86 kg / 1 - 1½ lbs. | | | Gril 30-60 minutes |
| Petits gibiers à plumes | 0,45 - 0,86 kg / 1 - 1½ lbs. | | | Gril 30-45 minutes |
| Canard | 1,36-2,26 kg / 3-5 lbs. | | | Rôti ou sur le gril 2 - 2.5 heures |

| PORC | TAILLE | Précuit près à être réchauffé - 60°C / 140°F | À point 66°C / 150°F | Bien cuit 71°C / 160°F |
|--|---|--|------------------------------------|--|
| Jambon (<i>Partie entièrement cuite et désossée, Porc fumé entier & avec os</i>) | 2,5 cm / 1 po 1,36-1,81 kg / 3-4 lbs. 1,81-2,72 kg / 4-6 lbs. 2,26-3,62 kg / 5-8 lbs. 4,53-5,44 kg / 10-12 lbs. | 12 minutes 50 minutes - 1 heure 1 - 2 heures 1 - 2½ heures 2 - 2¾ heures | | |
| Longe de porc | 1,36-1,81 kg / 3 - 4 lbs. | | 1 - 2 heures | 2 - 3 heures |
| Rôti de couronne de côte | 1,81-2,26 kg / 4 - 5 lbs. | | 1½ - 2 heures | 2 - 3 heures |
| Côtelette (<i>longe, côte</i>) | 1,9-2,5 cm / ¾ - 1 po 3,1-3,9 cm / 1¼ - 1½ po | | 10 - 12 minutes 14 - 18 minutes | |
| Filet | 1,9-2,5 cm / ¾ - 1 po | | 20 - 30 minutes | 30 - 45 minutes |
| Rôti de longe de porc, sans os | 1,36-2,26 kg / 3-5 lbs. | | 1¼ - 1¾ heures | 1¾ - 2½ heures |
| Boston Butt (<i>Épaule de porc</i>) | 3,62-4,53 kg / 8-10 lbs. | | | 93 - 98 °C / 200 - 210 °F Température interne |

| BOEF | TAILLE | CHALEUR | DURÉE APPROXIMATIVE DU TEMPS DE CUISSON | | |
|--|---|--------------|--|---------------------------|-----------------------------|
| | | | Saignant 54 °C / 130 °F | À point 60 °C / 140 °F | Bien cuit 65 °C / 150 °F |
| Steak <i>(New York, Porterhouse, faux filet, surlonge, T-bone, ou filet)</i> | 1,9 cm / ¾ po 2,5 cm / 1 po 3,8 cm / 1½ po 5 cm / 2 po | Haut | Saisir pendant 8 à 10 minutes Saisir pendant 10 à 12 minutes Saisir pendant 10 minutes, griller pendant 8 à 10 minutes Saisir pendant 10 minutes, griller pendant 10 à 14 minutes | | |
| Bifteck de hampe | 0,6 - 12,7 cm / ¼ - ½ po | Haut | Saisir 5-7 minutes | | |
| Bavette | 0,45 - 0,86 kg / 1 - 1½ lbs., 1,9 cm / ¾ po | Moyen | Saisir pendant 4 minutes, griller pendant 8 à 10 minutes | | |
| Kébab | 2,5 - 3,8 cm / 1 - 1½ po cubes | Moyen | Gril 10 - 12 minutes | | |
| Filet | 1,58 - 1,81 kg / 3½ - 4 lbs. | Haut/Moyen | Saisir pendant 10 minutes, gril pendant 15 à 20 minutes | | |
| Steak haché | 1,9 cm / ¾ po | Haut/Moyen | Saisir pendant 4 minutes, griller pendant 4 à 6 minutes | | |
| Rôti de bœuf de faux-filet, sans os | 2,26 - 2,72 kg / 5 - 6 lbs. | Moyen | Gril 1½ - 2 heures | | |
| Rôti trois pointes | 0,9 - 1,13 kg / 2 - 2½ lbs. | Haut/Moyen | Saisir pendant 10 minutes, griller pendant 20 à 30 minutes | | |
| Rôti de côtes | 5,44 - 6,35 kg / 12 - 14 lbs. | Moyen | 2½ - 2¾ heures | | |
| Côtelettes de veau | 2,5cm / 1 po | Moyen | 10 - 12 minutes direct | | |
| Poitrine | 7,25 - 3,62 kg / 16 -18 lbs. | Fumage chaud | Cuire jusqu'à ce que la température interne atteigne 91°C / 195°F | | |

| AGNEAU | TAILLE | Saignant - 54 °C / 130 °F | À point - 60 °C / 140 °F | Bien cuit - 71 °C / 160 °F |
|---------------------------------|-----------------------------|---------------------------|--------------------------|----------------------------|
| Rôti (frais) | 2,26 - 2,72 kg / 5 - 6 lbs. | | 1 - 2 heures | |
| Rôti de couronne de côte | 1,36 - 2,26 kg / 3-5 lbs. | | 1 - 1½ heures | 1½ heures |

| FRUITS DE MER | TAILLE | Saignant - 54 °C / 130 °F | À point - 60 °C / 140 °F | Bien cuit - 82 °C / 180 °F |
|-------------------------|---|---------------------------|--------------------------|--|
| Poisson (entier) | 0,5 kg / 1 lb. 0,9 - 1,1 kg / 2 - 2½ lbs. 1,4 kg / 3 lbs. | | | Gril 10 - 20 minutes Gril 20 - 30 minutes Gril 30 - 45 minutes |
| Poisson (filets) | 0,6-1,3 cm / ¼" - ½" | | | Gril 3 - 5 minutes jusqu'à ce que le poisson s'émiette |
| Queue de homard | 0,15 kg / 5 onces 0,3 kg / 10 onces | | | Gril 5 - 6 minutes Gril 10 - 12 minutes |

| GIBIER SAUVAGE | TAILLE | Saignant - 60 °C / 140 °F | À point - 71 °C / 160 °F | Bien cuit - 77 °C / 170 °F |
|-------------------------------|----------------------------|---------------------------|--------------------------|----------------------------|
| Rôti (frais) | 2,26 - 2,72 kg / 5-6 lbs. | | 1 - 1½ heures | 1½ - 2 heures |
| Grandes coupes (frais) | 3,62 - 4,53 kg / 8-10 lbs. | | 1 heure | 1½ heures |

CONSEILS ET TECHNIQUES

Suivez ces conseils et techniques utiles, transmis par des propriétaires de Pit Boss, notre personnel et clients comme vous, afin de vous familiariser avec votre gril:

1. SÉCURITÉ ALIMENTAIRE

- Garder propre tout ce qui se trouve dans la cuisine et dans la surface de cuisson. Utilisez un plat et des ustensiles différents pour la viande cuite et pour préparer ou transporter la viande crue sur le gril. Ceci permettra d'éviter toute contamination croisée des bactéries. Chaque marinade ou sauce pour badigeonner devrait avoir son propre ustensile.
- Gardez les aliments chauds au chaud (au-dessus de 60°C / 140°F) et gardez les aliments froids au froids (moins de 3°C / 37°F).
- Une marinade ne devrait jamais être conservée pour une utilisation ultérieure. Si vous comptez l'utiliser pour la servir avec votre viande, assurez-vous de la faire bouillir avant de servir.
- Les aliments cuits et les salades ne devraient pas être laissés dehors dans la chaleur pendant plus d'une heure. Ne laissez pas les aliments chauds à l'extérieur du réfrigérateur pendant plus de deux heures.
- Décongeler et mariner les viandes par réfrigération. Ne décongelez pas la viande à température ambiante ou sur le comptoir. Les bactéries peuvent grandir et se multiplient rapidement dans les aliments chauds et humides. Lavez-vous bien les mains avec de l'eau tiède savonneuse avant de commencer à préparer votre plat, et après avoir manipulé de la viande fraîche, du poisson et de la volaille.

2. PRÉPARATION DE CUISSON

- Soyez préparé ou **Mise en place**. Ceci fait référence à la préparation de la recette, le combustible, les accessoires, les ustensiles et tous les ingrédients dont vous aurez besoin à côté du gril avant de commencer la cuisson. Aussi, lisez la recette complète, du début à la fin, avant d'allumer le gril.
- Un tapis protecteur pour BBQ peut être très utile. En raison des accidents qui surviennent en raison de la manipulation des aliments et des différents styles de cuisson, ce tapis aidera à protéger les dalles de votre patio ou de votre terrasse contre tout risque de tache de graisse ou déversements accidentels

3. CONSEILS ET TECHNIQUES DE GRILLADE

- Pour infuser plus de saveur fumée et gardez vos viandes juteuses, cuisez-les plus longtemps à une température plus basse (également connu sous le nom de **faible et lent**). La viande fermera ses fibres après avoir atteint une température interne de 49°C (120°F). La pulvérisation en brouillard et l'épandage sont d'excellents moyens permettant d'éviter que la viande ne se dessèche.
- Lorsque vous saisissez vos viandes, cuisinez toujours avec le couvercle fermé. Utilisez toujours un thermomètre à viande pour évaluer la température interne des aliments que vous cuisinez. Fumer la nourriture avec des granulés de bois fait rosir la viande et la volaille. **La bande rose** (après la cuisson) est aussi appelée anneau de fumée et est très appréciée par les chefs de plein air.
- Il est fortement recommandé d'appliquer les sauces à base de sucre vers la fin de la cuisson pour éviter les brûlures et flambées.
- Laissez un espace de dégagement entre les aliments et les extrémités du baril pour une bonne circulation de la chaleur. Beaucoup d'aliments sur une grille de cuisson encombrée prendront plus de temps à cuire.
- Utilisez des pinces avec une longue poignée pour retourner toutes les viandes et des spatules pour retourner les burgers et le poisson. L'utilisation d'un ustensile perçant, comme une fourchette, permet de piquer la viande et de laisser s'évacuer les jus.
- Les aliments dans des casseroles profondes nécessitent plus de temps pour cuire que dans une poêle peu profonde.
- C'est une bonne idée de mettre les aliments grillés sur une grande assiette préchauffée pour garder vos aliments chauds. Les viandes rouges comme les steaks et rôtis seront meilleurs si vous les laissez reposer pendant quelques minutes avant de les servir. Ceci permet aux jus délicieux que la chaleur a fait remonter à la surface de retourner au centre et de lui donner plus de saveur.

DÉPANNAGE

Un bon nettoyage et un bon entretien, ainsi que le fait d'utiliser du combustible propre, sec et de qualité aidera à prévenir la plupart des problèmes de fonctionnement du gril. Toutefois, quand votre gril à granulés de bois Pit Boss ne fonctionne pas bien ou moins fréquemment, les conseils de dépannage suivants peuvent être utiles. Pour les FAQ, rendez-vous sur www.pitboss-grills.com. Vous pouvez également contacter votre revendeur agréé local Pit Boss ou contacter le Service à la clientèle pour obtenir de l'aide.

AVERTISSEMENT : Débranchez toujours le cordon électrique avant d'ouvrir la plaque d'inspection de votre gril pour effectuer toute inspection, nettoyage, maintenance ou entretien. Veillez à ce que le gril soit complètement froid pour éviter des blessures.

| PROBLÈME | CAUSE | SOLUTION |
|--|---|---|
| Pas d'alimentation sur la carte de contrôle | La molette de température est sur OFF. | Appuyez sur le bouton d'alimentation , puis assurez-vous que le bouton s'allume en bleu pour indiquer qu'il y a une connexion à la source d'alimentation. Tournez la molette de température sur un réglage de température. |
| | Le gril n'est pas branché correctement. | Assurez-vous que le gril est branché à une prise d'alimentation qui fonctionne. Retirez le panneau d'accès de la trémie (voir diagramme de fils électrique pour le schéma) et assurez-vous que tous les raccords de câbles sont solidement branchés. |
| Le fusible sur la carte de circuit a explosé | Le fusible sur la carte de circuit a explosé | Enlevez le panneau d'accès à la trémie (voir diagramme de fils électrique pour le schéma), appuyez sur les pattes en plastique maintenant la carte de contrôle en place et tirez délicatement le contrôleur à l'intérieur de la trémie pour libérer le contrôleur. Vérifiez le fusible pour voir s'il y a un fil cassé ou si le fil est devenu noir. Si oui, le fusible doit être remplacé manuellement. |
| | La prise GFCI est déclenchée | Assurez-vous que le GFCI est porté au minimum à 10 ampères. |
| | Carte de contrôle défectueuse | La carte de contrôle doit être remplacée. Contactez le service clientèle pour une pièce de rechange. |
| Le feu dans le pot de combustion ne s'allume pas | La tarière n'est pas amorcée | Avant que l'appareil ne soit utilisé pour la première fois <u>ou</u> lorsque la trémie est complètement vidée, la tarière doit être amorcée pour permettre aux granulés de remplir le pot de combustion. S'il n'est pas amorcé, l'allumeur s'éteindra avant que les granulés n'atteignent le pot de combustion. Suivez la procédure d'amorçage de la trémie . |
| | Moteur de la tarière est coincé | Retirer les composants de cuisson du baril principal. Appuyez sur le bouton d'alimentation pour allumer l'appareil, tournez la molette de réglage de la température sur FUMÉE et inspectez le système d'alimentation de la tarière. Confirmez visuellement que la tarière laisse tomber les granulés dans le pot de combustion. S'il ne fonctionne pas correctement, appelez le service clientèle pour obtenir de l'aide. |
| | Panne de l'allumeur | Retirer les composants de cuisson du baril principal. Appuyez sur le bouton d'alimentation pour allumer l'appareil, tournez la molette de réglage de la température sur FUMÉE et inspectez l'allumeur. Confirmez visuellement que l'allumeur fonctionne en plaçant votre main au-dessus du pot de combustion et en sentant la chaleur. Vérifier visuellement que l'allumeur dépasse d'environ 13 mm dans le pot de combustion. S'il ne fonctionne pas correctement, suivez la procédure de démarrage manuelle pour continuer à utiliser le gril; aussi, appelez le service à la clientèle pour obtenir de l'aide ou une pièce de rechange. |
| | Le flux d'air dans le pot de combustion est insuffisant | Vérifiez que le pot de combustion ne contient pas de cendres ou d'obstructions. Suivez les instructions d'entretien et de maintenance pour l'accumulation de cendres. Vérifiez le ventilateur. Assurez-vous qu'il fonctionne correctement et que la prise d'air n'est pas bloquée. Suivez les instructions d'entretien et d'entretien si elles sont sales. |

| | | |
|---|--|---|
| Points clignotants sur l'écran LCD | L'allumeur est en marche | Ceci n'est pas une erreur qui a une incidence sur le grill. Utilisé pour démontrer que l'unité est en mode de mise en marche. L'allumeur s'éteindra après 5 minutes. Une fois que les points clignotants sont éteints, le grill commence à fonctionner à la température désirée sélectionnée. |
| La température clignote sur l'écran LCD | La température du grill est inférieure à 65°C / 150°F | Ceci n'est pas une erreur qui a une incidence sur le grill, néanmoins elle est utilisée pour démontrer qu'il y a un risque que le feu pourrait s'éteindre. Vérifiez qu'il y a suffisamment de combustible dans la trémie ou s'il y a obstruction dans le système d'alimentation. Retirez les granulés et suivez les instructions d'entretien et de maintenance . Vérifiez la sonde de température du grill. Suivez les instructions d'entretien et de maintenance si sale. Vérifiez le pot de combustion pour déceler la présence de toute accumulation de cendres ou d'obstructions. Suivez les instructions d'entretien et de maintenance en cas d'accumulation de cendres. Contrôlez le ventilateur. Assurez-vous qu'il fonctionne correctement et que l'entrée d'air n'est pas bloquée. Suivez les instructions d'entretien et de maintenance si sale. Vérifiez le moteur de la tarière pour confirmer le fonctionnement et assurez-vous qu'il n'y a pas de blocage dans le tube de la tarière. |
| Code d'erreur « ErH » | Le grill a surchauffé, possiblement en raison d'un feu de graisse ou d'un excès de combustible | Appuyez sur le bouton d'alimentation et tournez la molette de température sur OFF et permettez au grill de refroidir. Suivez les instructions d'entretien et de maintenance . Après la maintenance, enlevez les granulés en trop et confirmez que les parties composantes sont bien placées. Pour effacer le message d'erreur, tournez la molette de température à la position OFF (ARRÊT), ouvrez le couvercle, attendez 3 à 4 minutes, puis sélectionnez la température souhaitée. |
| Code d'erreur « ErR » | Le fil de la sonde de température n'établit pas de connexion. | Retirez le panneau d'accès de la trémie (voir diagramme de fils électrique pour le schéma) et vérifiez s'il y a un endommagement. Vérifiez que tous les raccords de câbles sont connectés fermement et connectés correctement à la carte de contrôle numérique. |
| Code d'erreur « ErP » | Le sélecteur de température n'était pas éteint lorsqu'il a été connecté à la prise secteur la dernière fois. Une panne de courant s'est produite pendant que le grill fonctionnait. | La fonction de sécurité empêche un redémarrage automatique. Appuyez et maintenez le bouton d'alimentation pour éteindre l'appareil, attendez deux minutes, puis appuyez sur le bouton d'alimentation pour rallumer l'appareil. Tourner le cadran de commande de température sur FUMÉE ou la température désirée. Si le code d'erreur est toujours affiché, contactez le service clientèle. |
| Code d'erreur « noP » | Mauvaise connexion au port de connexion | Débranchez la sonde de viande du port de connexion sur la carte de contrôle, puis reconnectez-vous. Assurez-vous que l'adaptateur de sonde de viande est fermement connecté. Vérifiez s'il y a des signes d'endommagement de l'adaptateur. En cas d'échec, appeler le service clientèle pour la pièce de rechange. |
| | Sonde de viande endommagée | Vérifiez les signes de dommages aux fils de la sonde de viande. Si elle est endommagée, appelez le service à la clientèle pour une partie de remplacement. |
| | Carte de contrôle défectueuse | La carte de contrôle doit être remplacée. Contactez le service clientèle pour une pièce de rechange. |
| Température du grill sur FUMÉE est trop élevée | Le réglage « P » est trop FAIBLE. | Appuyez sur le bouton de réglage « P » et augmentez le réglage « P ». |
| Le grill n'atteint pas ou n'arrive pas à maintenir une température stable | Le flux d'air dans le pot de combustion est insuffisant | Vérifiez le pot de combustion pour déceler la présence de toute accumulation de cendres ou d'obstructions. Suivez les instructions d'entretien et de maintenance en cas d'accumulation de cendres. Contrôlez le ventilateur. Assurez-vous qu'il fonctionne correctement et que l'entrée d'air n'est pas bloquée. Suivez les instructions d'entretien et de maintenance si sale. Vérifiez le moteur de la tarière pour confirmer le fonctionnement et assurez-vous qu'il n'y a pas de blocage dans le tube de la tarière. Assurez-vous que tout ce qui a été mentionné ci-dessus a été effectué, démarrez le grill, réglez la température sur FUMÉE et patientez pendant 10 minutes. Vérifiez que la flamme produite est vive et lumineuse. |

| | | |
|--|--|--|
| | Manque de carburant, mauvaise qualité du carburant, obstruction dans le système d'alimentation | Vérifier la trémie pour vérifier que le niveau de carburant est suffisant, et reconstituer si faible. Si la qualité des granulés de bois est médiocre ou si la longueur des granulés est trop longue, cela peut provoquer une obstruction dans le système d'alimentation. Retirer les granules et suivre les instructions d'entretien et de maintenance . |
| | Sonde de température | Vérifiez l'état de la sonde de température. Suivez les instructions d'entretien et de maintenance si elles sont sales. Contactez le service clientèle pour une pièce de rechange si elle est endommagée. |
| Le gril produit de la fumée excessive ou décolorée | Accumulation de graisse | Suivez les instructions d'entretien et de maintenance . |
| | Qualité des granulés de bois | Retirez les granulés de bois humides de la trémie. Suivez les instructions d'entretien et de maintenance pour le nettoyage. Remplacez par des granulés de bois secs. |
| | Le pot de combustion est bloqué | Retirez les granulés de bois humides du pot de combustion. Suivez la procédure d'amorçage de la trémie . |
| | Prise d'air insuffisante pour le ventilateur | Vérifier le ventilateur. Assurez-vous qu'il fonctionne correctement et la prise d'air ne soit pas bloqué. Suivez les instructions d'entretien et de maintenance si sale. |
| Embrasements fréquents | Température de cuisson | Essayez de cuisiner à une température plus basse. La graisse possède un point d'ignition. Gardez la température en-dessous de 176°C / 350°F lorsque vous cuisinez des aliments très gras. |
| | Accumulation de graisse sur les composants de cuisson | Suivez les instructions d'entretien et de maintenance . |

DIAGRAMME DE FIL ÉLECTRIQUE

Le panneau de commande numérique est un matériel technologique hautement sophistiqué et de grande valeur. Pour une protection contre les surtensions et les courts-circuits électriques, consultez le schéma de fil ci-dessous pour vous assurer que votre source d'alimentation est suffisante pour le fonctionnement de l'appareil.

PB – EXIGENCES ÉLECTRIQUES

110-120V, 60HZ, 275W, FICHE À 3 BROCHES MISE À LA TERRE

REMARQUE : Les composants électriques, passés par les tests de sécurité des produits et les services de certification, sont conformes avec une tolérance de test de ± 5 à 10%.

COSES RECTANGULAIRES DE LA SSONDE DU GRIL

FUSIBLE RAPIDE 5 AMPÈRES

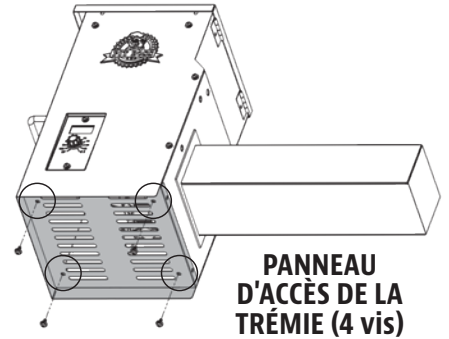
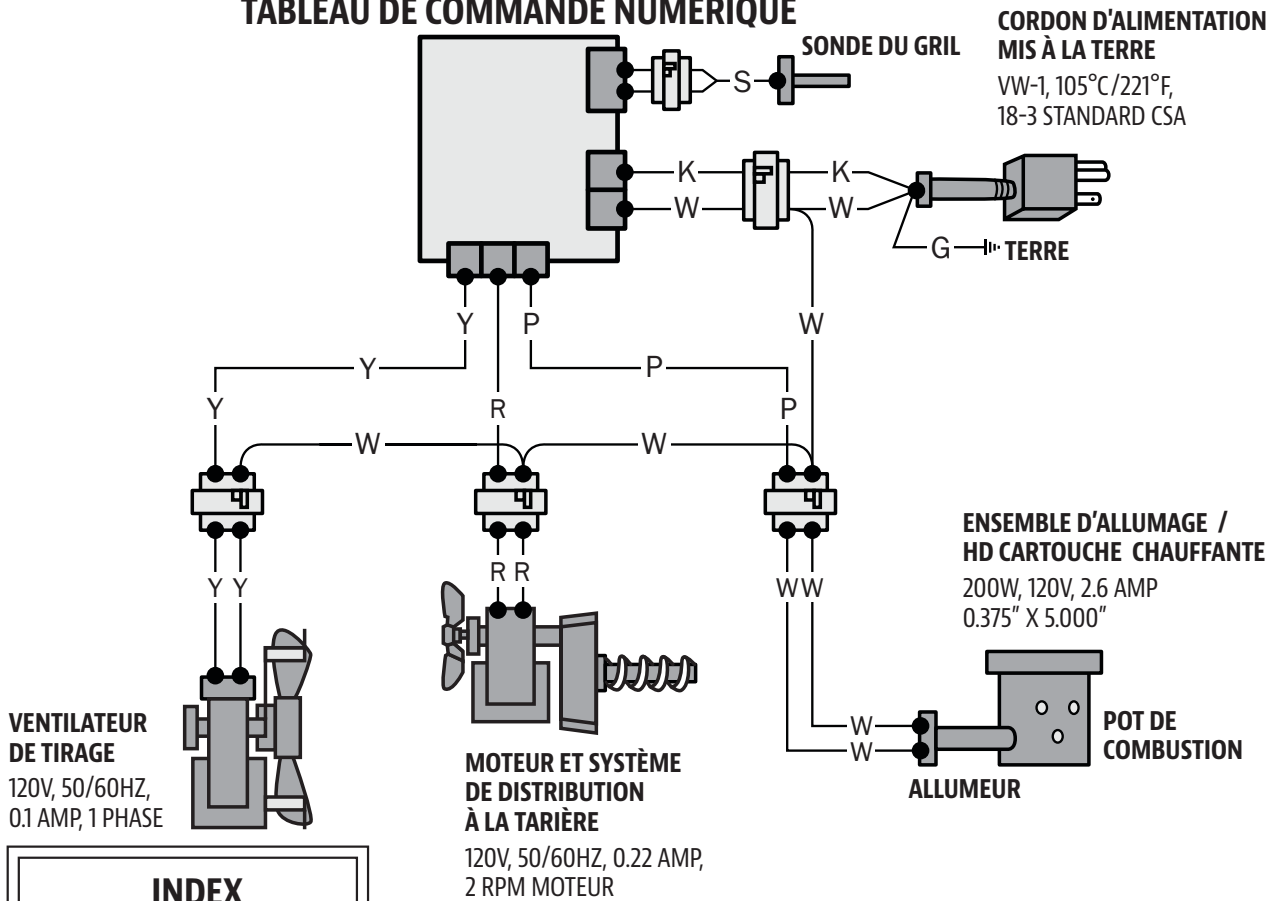


TABLEAU DE COMMANDE NUMÉRIQUE

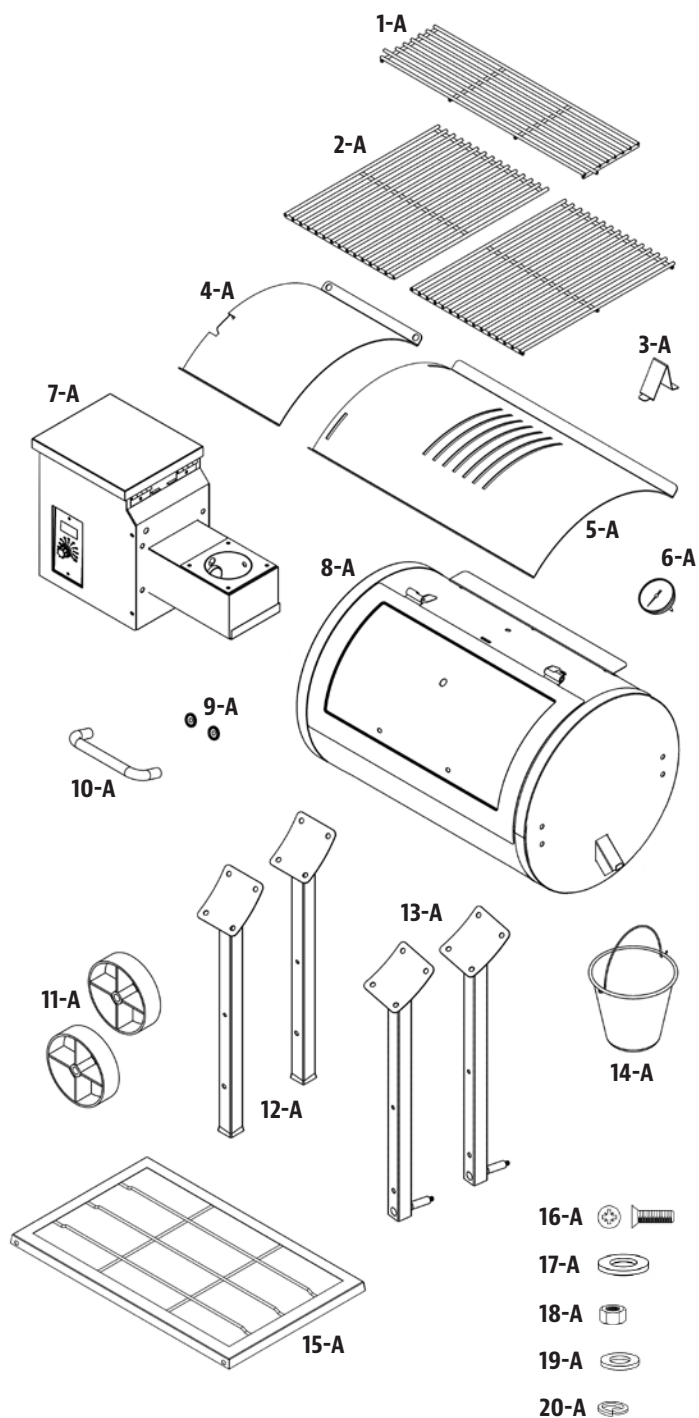


INDICE DE CONSOMMATION DE CARBURANT: 1.12 KG/H (2.48 LB/H)

PIÈCES DE RECHANGE DE GRIL

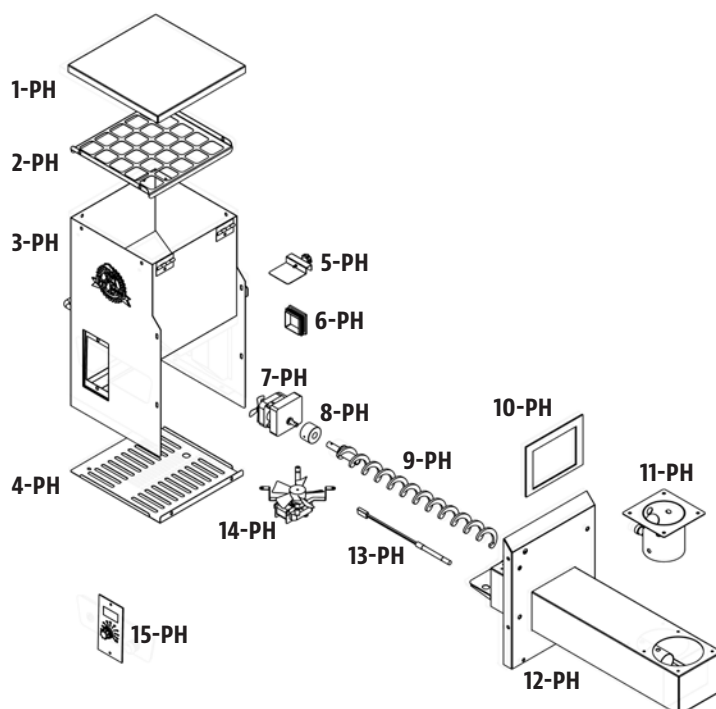
| Part# | Description |
|-------|--|
| 1-A | Grille de cuisson supérieure en acier revêtu de porcelaine |
| 2-A | Grilles de cuisson en fonte revêtue de porcelaine (x2) |
| 3-A | Bouchon du couvercle |
| 4-A | Chaudière glissière |
| 5-A | Chaudière planche principale |
| 6-A | Thermomètre |
| 7-A | Assemblage de la trémie (x1) |
| 8-A | Baril principal (x1) |
| 9-A | Cadran de la poignée du couvercle (x2) |
| 10-A | Poignée du couvercle |
| 11-A | Roues en métal (x2) |
| 12-A | Jambe fixe (x2) |
| 13-A | Pied avec essieu de roue (x2) |
| 14-A | Seau de graisse |
| 15-A | Étagère Inférieure |
| 16-A | Vis (x20) |
| 17-A | Rondelle (x2) |
| 18-A | Écrou (x2) |
| 19-A | Rondelle (x20) |
| 20-A | Rondelle de blocage (x20) |

REMARQUE : En raison du développement continu du produit, les pièces peuvent être modifiées sans préavis.



PIÈCES DE RECHANGE DE TRÉMIE

| No. | Description |
|-------|---------------------------------|
| 1-PH | Couvercle de trémie |
| 2-PH | Écran de sécurité de la trémie |
| 3-PH | Boîtier de la trémie |
| 4-PH | Panneau d'accès de la trémie |
| 5-PH | Plateau de la chute |
| 6-PH | Couvercle de la chute |
| 7-PH | Moteur de la tarière |
| 8-PH | Bague d'étanchéité en nylon |
| 9-PH | Assemblage du filet de tarière |
| 10-PH | Joint de corps de la trémie |
| 11-PH | Pot de combustion |
| 12-PH | Boîtier de la trémie |
| 13-PH | Allumeur |
| 14-PH | Ventilateur de combustion |
| 15-PH | Panneau de commande du Pit Boss |



GARANTIE

CONDITIONS

Tous les grils de granulés de bois de Pit Boss, fabriqués par Dansons, contiennent une garantie limitée à partir de la date de vente par le propriétaire initial. La garantie entre en vigueur la date d'achat, et une preuve de la date d'achat ou copie de votre achat de vente original est requise pour valider la garantie. Si le client n'est pas en mesure de produire une preuve de l'achat ou si la date de couverture de la garantie est dépassée, il sera tenu de payer les pièces, l'expédition et la main-d'œuvre.

Dansons offre une garantie de cinq (5) ans contre les défauts et fabrication sur toutes les pièces, et cinq (5) ans sur les composants électriques. Dansons garantit que toute partie(s) sont exempte de défauts de matériel et de fabrication, pour la durée d'utilisation et de propriété de l'acheteur initial. La garantie ne couvre pas les dommages causés par l'usure, tels que les rayures, les bosses, les coups, les éclats ou les fissures cosmétiques mineures. Ces changements esthétiques du grill n'affectent pas sa performance. La réparation ou le remplacement d'une pièce ne prolonge pas la garantie limitée au-delà de cinq (5) ans à partir de la date d'achat.

Pendant la période de la garantie limitée, l'obligation de Dansons sera limitée à fournir le remplacement des composants couverts et/ou défectueux. Tant que cela se produit pendant la période de la garantie, Dansons ne vous facturera pas sur la réparation ou le remplacement des pièces retournées, le port-payé, si Dansons détermine que ces pièces se révèlent défectueuses après inspection. Dansons ne sera pas tenu responsable des frais de transport, du coût salarial ou des droits d'exportation. Sauf disposition contraire dans ces conditions de garantie, la réparation ou le remplacement des pièces de la façon et pour la durée fixée ci-dessous, remplira le devoir de toutes les responsabilités et obligations directes et dérivées de Dansons envers vous.

Dansons prend toutes les précautions pour utiliser les matériaux qui retardent la formation de la rouille. Même avec ces garanties, le revêtement protecteur peut être compromis par diverses substances et conditions qui échappent au contrôle de Dansons. Les hautes températures, l'humidité excessive, le chlore, les gaz industriels, les engrais, les pesticides utilisés pour les pelouses et le sel sont quelques-unes des substances pouvant affecter les revêtements métalliques. C'est pour ces raisons que les garanties limitées ne couvrent pas la rouille ni l'oxydation, à moins que le composant du grill présente une perte d'intégrité structurelle. Si les scénarios décrits ci-dessus devaient se produire, veuillez vous référer à la section de soin et de maintenance pour prolonger la durée de vie de votre appareil. Dansons recommande l'utilisation d'une couverture de grill lorsqu'il n'est pas utilisé.

Les garanties s'appliquent à un usage domestique et utilisation normale du gril et aucune des garanties limitées ne s'applique à un gril utilisé pour des applications commerciales.

EXCEPTIONS

Il n'existe pas de garantie de performance écrite ou implicite sur les appareils Pit Boss, car le fabricant ne contrôle pas l'installation, le fonctionnement, le nettoyage, l'entretien ou le type de combustible brûlé. La garantie limitée ne s'appliquera pas, et Dansons n'assumera aucune responsabilité, si votre appareil n'a pas été installé, opéré, nettoyé et entretenu conformément aux instructions du fabricant. Toute utilisation de gaz non précisée dans ce manuel peut annuler la garantie. La garantie ne couvre pas les dommages ou ruptures causées par une mauvaise utilisation, mauvaise manutention ou des modifications.

Dansons et les fournisseurs autorisés Pit Boss, déclinent toute responsabilité, légale ou autre, quant aux dommages accidentels ou consécutifs à la propriété ou aux personnes résultant de l'utilisation de ce produit. Si une réclamation est retournée contre Dansons basée sur la violation de cette garantie ou de tout autre type de garantie explicite ou implicite en droit, le fabricant ne sera en aucun cas tenu responsable des dommages-intérêts spéciaux, punitifs ou indirects de quelque nature que ce soit en surplus du prix d'achat original de ce produit. Toutes les garanties du fabricant sont énoncées ici et aucune réclamation ne sera effectuée contre le fabricant par le biais d'une garantie ou de représentation.

Certaines provinces n'autorisent pas l'exclusion ou la limitation des dommages accidentels ou consécutifs, ou les limitations des garanties implicites, de sorte qu'il est possible que les exclusions et limitations énoncées dans cette garantie limitée ne s'appliquent pas à vous. Cette garantie limitée vous donne des droits légaux spécifiques, et vous pourriez aussi avoir d'autres droits légaux qui pourront varier selon l'état ou la province.

COMMANDE DE PIÈCES DE REMPLACEMENT

Pour commander des pièces de rechange, contactez votre revendeur local Pit Boss ou visitez notre boutique en ligne à l'adresse suivante: www.pitboss-grills.com

APPELEZ LE SERVICE À LA CLIENTÈLE

Si vous avez des questions ou des problèmes, veuillez communiquer avec le Service à la clientèle, du lundi au dimanche, de 4h à 20h HP (anglais / français / espagnol).

service@pitboss-grills.com | Ligne sans frais: 1-877-303-3134 | Fax sans frais : 1-877-303-3135

SERVICE DE GARANTIE

Appelez votre fournisseur de « Pit Boss » le plus proche pour une réparation ou un remplacement de vos pièces. Dansons exige une preuve d'achat pour établir une réclamation sous garantie; Conservez donc votre reçu ou facture originale pour référence future. Le numéro de série et de modèle de votre Pit Boss se trouve sur la trémie. Enregistrez les numéros ci-dessous, car l'étiquette peut s'user ou devenir illisible.

MODÈLE

NUMÉRO DE SÉRIE

DATE D'ACHAT

CONCESSIONNAIRE AUTORISÉ

ACCESSOIRES VENDUS SÉPARÉMENT

Disponible à l'achat séparément. Accessoires non disponibles et fournis par tous les concessionnaires autorisés de Pit Boss.

| ARTICLE | DESCRIPTION |
|--|--|
|  | HOUSSE DU GRIL Coupe ajustée, couverture complète. Fait de polyester résistant avec endos de PVC pour une utilisation de longue durée. Résistant à l'eau. Comprend un lacet de serrage pour un resserrement facile. |
|  | TAPIS PROTECTEUR POUR BBQ Facile à nettoyer, protection contre les UV. Protection pour votre patio. 132cm x 86cm / 52" x 34" |
|  | TABLETTE LATÉRALE - NOIR Tablette solide, noir. Système complet avec crochets à outils et une barre à serviette. Se monte sur le côté du baril principal |
|  | TABLETTE LATÉRALE - INOXYDABLE Tablette en acier inoxydable. Le plateau amovible peut servir comme plateau de grillade ou de service. Système complet avec crochets à outils. Se monte sur le côté du baril principal. |

| ARTICLE | DESCRIPTION |
|---|--|
|  | TABLIER POUR LE GRIL Ce tablier ajustable a deux poches pratiques à l'avant qui permettront de tenir les outils du grill. Taille unique. Lavable à la machine. |
|  | SAUCES SIGNATURE Une collection de sauces gastronomiques pour préparer et améliorer les saveurs naturelles de votre nourriture. |
|  | ÉPICES SIGNATURE Une collection d'épices gastronomiques pour préparer et améliorer les saveurs naturelles de votre nourriture. |

FRANÇAIS

RECETTES

UNE POITRINE CLASSIQUE

4 à 6 portions

Une poitrine entière de bœuf pèse environ 7,25 à 3,62 kg / 16 à 18 livres et possède trois parties distinctes : la couronne, le bout et la section plate. Utilisez la section plate car elle est maigre, compacte et produit de très belles tranches lorsque vous la tranchez.

Ingrédients :

| | |
|------------------|---|
| 1 | poitrine de bœuf 2,2-3,6 kg / 5-8 lbs, 0,6 cm / ¼ po d'épaisseur de graisse |
| 1 bouteille | moutarde jaune préparée |
| 75 ml / 5 c. à s | assaisonnement |
| 1 bouteille | sauce au piment fort |
| 1 paquet | mélange sec de soupe aux oignons |
| 375 ml / 1 ½ c. | bouillon de bœuf |
| 40 ml / 8 cc | poivre noir |

Saveur de granulés de bois suggérée : Caryl / Compétition

Instructions :

- Déposez une grande pellicule de plastique sur votre station de cuisine. Assez grande pour enrober une poitrine de bœuf. À l'aide d'un couteau aiguisé, faites une marque sur le dessous de la poitrine, une seule fois à contre sens. Ceci vous aidera à couper la poitrine une fois qu'elle est cuite, la coupe à contre sens vous offrira également un morceau de viande tendre qui fond dans la bouche. Le dessous est le côté non-gras, avec la couronne. Enduire avec une généreuse portion de moutarde préparée. Frottez légèrement sur toute la surface. Saupoudrer une bonne quantité d'assaisonnement sur la moutarde, puis frottez délicatement sur toute la surface. Retournez la poitrine de bœuf et répétez le processus. Enroulez la poitrine dans la feuille de plastique et conservez au frigo pendant la nuit ou pour environ 2 à 4 heures.
- Préparez le mélange de badigeonnage. Mélangez la sauce au chili, le mélange de soupe à l'oignon sec, le bouillon de bœuf et le poivre noir. Laisser reposer.

3. **Préchauffez le grill, puis réduire le réglage à SMOKE ou faible température.**
4. Placez la poitrine, côté gras vers le haut, au centre du grill préchauffé. Fermez le couvercle du grill. Faites cuire lentement jusqu'à ce que la viande soit tendre, environ 10-12 heures.
5. Badigeonner la poitrine avec le mélange préparé toutes les demi-heures pendant les 3 premières heures.
6. Continuez le processus de cuisson lente jusqu'à ce que la température atteigne 60-66°C / 140-150°F. Enlevez la poitrine du grill. **Faites monter la température du grill à 176°C / 350°F.**
7. Placez la poitrine dans une poche en aluminium double couche. Versez 50 ml / ¼ de tasse de mélange de badigeonnage sur la poitrine dans la poche. Fermez la poche.
8. Déposez la poche délicatement sur le grill. Faites fumer pendant 1 à 1 1/2 heures.
9. Ouvrez la poche et utilisez un thermomètre à viande; La température interne doit atteindre 91°C / 195°F. La poitrine devrait être ferme, mais vous devriez quand même être en mesure de déchirer la viande à l'aide de vos doigts.
10. Transférez la viande à un plateau et laissez-la reposer pendant 10 minutes. Coupez des tranches minces à contre sens pour servir.

SAUCISSE AVEC SAUCE CHUTNEY À LA MANGUE

4 à 6 portions

Ingrédients :

| | |
|-------------------|--|
| 2 | mangues (tranchées finement) |
| 0.9 kg / 2 lbs | saucisse italienne (piquante ou douce) |
| 10 ml / 2 cc | persil frais (haché) |
| 15 ml / 1 c. à s. | poivron rouge (coupé en dés) |
| 10 ml / 2 cc | miel |
| ½ | oignon rouge (coupé en dés) |
| ½ bulbe | fenouil (coupé en dés) |
| 5 ml / 1 cc | jus de lime |
| Pincée | sel |

Saveur de granulés de bois suggérée : Caryer / Compétition

Instructions :

1. **Préchauffez le grill, puis réduire le réglage à FAIBLE-MOYEN (82 - 107°C / 180- 225°F).**
2. Placez les saucisses sur le grill, espacées uniformément. Tournez toutes les dix minutes afin que tous les côtés soient grillés.
3. Combinez tous les ingrédients restants pour fabriquer les chutney. Réfrigérez jusqu'à ce que vous soyez prêt à servir.
4. Coupez la saucisse grillée en diagonale, puis servir avec le chutney sur le côté.

STEAK DE FROMAGE BLEU

4 portions

Ingrédients :

| | |
|---------------|--|
| 4 | steak, T-bone ou faux-filet 2,54 cm / 1" d'épaisseur 0.28-0.62 kg / 10-12 onces chaque |
| 113 g / 4 oz. | fromage bleu (émietté) |
| 50 ml / ¼ c. | oignon vert (en fines tranches) |

Saveur de granulés de bois suggérée : Caryer / Compétition / Whiskey

Instructions :

1. **Préchauffer le grill, puis laisser ou réduire légèrement (204-260°C / 400-500°F).**
2. Enlevez l'excédent de gras de la viande et jetez.
3. Placez les steaks sur le grill. Saisissez chaque côté, en retournant toutes le minutes.
4. **Réduisez la température à 135°C/275°F ou 163°C/ 325°F.** Retournez les steaks une dernière fois. Mélangez le fromage bleu et les oignons. Saupoudrez les steaks, fermez le couvercle du grill et faites griller jusqu'à ce qu'ils atteignent la cuisson désirée. Vérifiez la cuisson en coupant une tranche de viande près de l'os.

Variation : FAIRE SAISIR AVEC LA MÉTHODE INVERSÉE

Allumez le grill en mode SMOKE, puis placer les steaks sur le grill. Faites fumer à 82°C / 180°F, pendant 5 à 15 minutes. Une fois fumé à la cuisson désirée, tournez le grill sur HIGH et saisissez à votre goût.

CÔTES LEVÉES BBQ

4 à 6 portions

Ingrédients :

| | |
|----------------------|---|
| 1.3-1.8 kg / 3-4 lbs | côtelettes Côtes levées de porc juteuses / longe |
| 45 ml / 3 c. à s. | huile |
| 5 ml / 1 cc | sel |
| 5 ml / 1 cc | poivre |
| 2 entiers | oignons (hachés) |
| 30 ml / 2 c. à s. | vinaigre |
| 30 ml / 2 c. à s. | sauce Worcestershire |
| 125 ml / ½ c. | jus de pomme ou Soda |
| 5 ml / 1 cc | paprika |
| 5 ml / 1 cc | poudre de piment chili |

Saveur de granulés de bois suggérée : Caryer / Compétition / Pomme

Instructions :

1. **Préchauffez le grill, puis réduire le réglage à SMOKE ou faible (82-107°C / 180-225°F).**
2. Préparez les côtes levées en enlevant la couche épaisse de peau à l'arrière. Saupoudrez les côtes avec du sel et du poivre, pour goûter.

- Placez les côtes sur le gril, espacées uniformément. Faites fumer pendant 3 à 4 heures.
- Mélangez le reste des ingrédients dans une casserole et porter à ébullition. Laissez bouillir la sauce pendant cinq minutes pour épaissir.
- Enlevez du gril. **Faites monter la température du gril à 176°C / 350°F.**
- Placez chaque côte dans une poche en aluminium double couche. Versez 50 ml / ¼ de tasse de sauce sur les côtes dans la poche. Fermez la poche.
- Déposez la poche délicatement sur le gril. Faites fumer pendant 1 à 1½ heures.
- Ouvrez la poche. La viande aura exposé les extrémités des côtes et sera très tendre. Faites monter la température du gril à ÉLEVÉ (260°C / 500°F). Remettez les côtes sur le gril et badigeonnez avec de la sauce sur les deux côtés.
- Lorsque la sauce est caramélisée et collantes, retirez du grill et servez.

Variation: MÉTHODE « MEMPHIS DRY »

Faites monter la température du gril à ÉLEVÉ (260°C / 500°F). Remettez les côtes sur le gril et assaisonnez ou frottez avec un assaisonnement sec. Saisissez les côtes, retirez du grill et servez.

LES HAMBURGERS JUTEUX DE MAMAN

4 à 6 portions

Ingrédients :

| | |
|---------------|--------------------------------------|
| 900 g / 2 lbs | bœuf haché ou de buffle |
| 15 ml / 3 cc | assaisonnement |
| 2 entiers | œufs, à la température de la pièce |
| 500 ml / 2 c. | chapelure (séché, fin) |
| 6 - 8 | hamburger / petits pains |
| 6 - 8 slices | tranches de fromage (tranches fines) |
| 30 ml / 2 cc | beurre |

Saveur de granulés de bois suggérée : Caryer / Compétition

Instructions :

- Préchauffer le gril, puis laisser ou réduire légèrement (204-260°C / 400-500°F)
- Mélangez la viande, l'assaisonnement, les œufs et la chapelure dans un bol. Divisez la viande en plusieurs portions et formez-les en petites boulettes de taille et de forme similaires au pain que vous servirez. Gardez les boulettes à environ 1,9 cm / ¾ po d'épaisseur.
- Déposez les boulettes sur le gril. Faites griller environs 6 minutes chaque côté, en évitant d'appuyer sur la viande. Faites un test pour vérifier la cuisson, à l'aide d'un thermomètre à viande instantané : la température interne devrait atteindre 71°C / 160°F. La viande peut devenir rose à l'extérieur en raison de la saveur fumée.
- Au cours des dernières minutes de cuisson, badigeonnez les

petits pains avec du beurre et grillez légèrement sur le gril.

- Retirez les pains, burgers lorsqu'ils sont prêts. Ajoutez aux hamburgers du fromage à fondre, et servez.

CONSEIL: Une viande légèrement plus grasse rendra le hamburger plus juteux. Pour un choix plus léger, essayez le buffle haché.

STEAK DE SURLONGE AVEC DES OIGNONS DOUX ET DES POIVRONS

4 portions

Ingrédients :

| | |
|------------------|---|
| 2 | steak de surlonge épaisseur d'un pouce, coupé en 4 morceaux 0.45kg/1 lb |
| 10 ml / 2 cc | assaisonnement |
| 5 moyens | oignons doux (coupés grossièrement) |
| 2 entiers | poivrons (toutes sortes, hachée) |
| 60 ml / 4 c. à s | sauce soja |
| 60 ml / 4 c. à s | huile d'olive |
| Pincée | sel |

Saveur de granulés de bois suggérée : Caryer / Mesquite / Whiskey

Instructions :

- Préchauffez le gril, puis réduire le réglage à 218°C / 425°F.
- Saupoudrez les deux côtés des steaks avec l'assaisonnement. Recouvrez et réfrigérez pendant au moins 1 heure.
- Placez les oignons et les poivrons dans un plateau recouvert de papier d'aluminium. Mélangez l'huile d'olive et la sauce soja ensemble, puis versez sur le plateau. Saupoudrez de sel. Fermez complètement le paquet d'aluminium.
- Placez le paquet sur le gril pendant environ 10 - 15 minutes ou bien jusqu'à ce que les légumes soient doux et tendres. Enlevez du gril, mais gardez sous l'emballage.
- Placez les steaks sur le gril. Saisissez chaque côté, en retournant toutes le minutes.
- Grillez jusqu'à la cuisson désirée, puis enlevez du gril. Placez sur les plats de service et garnissez-les avec les légumes chauds.

POULES DE CORNOUILLES AVEC DU RIZ MANDARIN

4 portions

Ingrédients :

| | |
|------------------|------------------------|
| 4 entiers | poules de Cornouailles |
| 750 ml / 3 c. | riz Mandarin |
| 15 ml / 1 c. à s | huile d'olive |
| 5 ml / 1 tsp | paprika fumé |
| 250 ml / 1 c. | marmelade d'orange |

Riz Mandarin

| | |
|------------------|--------------------|
| 59 ml / ¼ c. | amandes (effilées) |
| 30 ml / 2 c. à s | céleri (haché) |

- 1 petit oignon vert (tranché finement)
 30 ml / 2 c. à s. beurre
 1 conserve segments d'orange mandarine (égouttée)
0,4 kg/11oz.
 30 ml / 2 c. à s. jus d'orange (concentré)
 500 ml / 2 c. riz cuit

Saveur de granulés de bois suggérée : Caryer / Mesquite / Compétition

Instructions :

1. Préparez le riz mandarin en faisant sauter les amandes, le céleri et les oignons avec du beurre dans une petite poêle jusqu'à ce que les amandes soient légèrement grillées. Combinez le mélange avec les segments d'orange, jus d'orange et le riz cuit dans un bol et mettez de côté.
2. **Préchauffez le gril, puis réduire à MEDIUM (135-177°C / 275-350°F).**
3. Rincez les poules de Cornouailles et essuyez à l'aide d'un papier absorbant. Remplissez les poules de Cornouailles avec la garniture et attachez les pattes à l'aide d'une ficelle. Badigeonnez légèrement les poules avec de l'huile; saupoudrez avec du paprika.
4. Placez les poules de Cornouailles sur le gril. Grillez pendant 45 à 60 minutes, jusqu'à ce que la viande soit tendre lorsqu'on la presse.
5. Badigeonnez les poules avec la marmelade à l'orange pendant les 20 dernières minutes de cuisson. Enlevez du gril et présentez sur un plateau de service.

CONSEIL : Si vous souhaitez récolter les gouttes de graisse pour faire une sauce, placez les poules dans un plat en aluminium et ajoutez assez d'eau ou de jus pour couvrir le fond à environ 0,6 cm / ¼ po d'épaisseur.

KEBABS DE CREVETTES AVEC BEURRE AU CURRY

4 portions

Ingrédients :

- 900g / 2 lbs crevettes (décortiquées, déveinées)
 125ml / ½ c. beurre de curry
 15 ml / 1 c. à s. huile d'olive
 1 lime
 aneth frais

Beurre de curry

- 125 ml / ½ c. beurre
 30 ml / 2 c. à s. oignons (hachés)
 15 ml / 1 c. à s. aneth frais
 5 ml / 1 cc poudre de curry
 Pincée poudre d'ail

Saveur de granulés de bois suggérée : Mesquite / Compétition

Instructions :

1. Faites tremper les brochettes de bois dans l'eau pendant environ 1 heure.
2. **Préchauffez le gril, puis réduire à 135-177°C / 275-350°F.**

3. Préparez le beurre Curry en faisant fondre le beurre dans une petite casserole à feu moyen-élevé. Ajoutez les oignons, l'aneth, la poudre de curry et la poudre d'ail. Faites cuire pendant cinq minutes, puis retirez du feu.
4. Étalez les crevettes sur les brochettes, en laissant de l'espace entre les morceaux. Badigeonnez légèrement d'huile d'olive.
5. Placez les brochettes sur le gril et grillez jusqu'à ce que les crevettes soient blanches et tendres. Les crevettes grillent rapidement; prenez soin de ne pas trop les cuire. Tournez les brochettes une fois et badigeonnez-les avec du beurre de curry vers la moitié du temps de cuisson.
6. Déposez les crevettes grillées sur un plateau. Garnissez de quarts de lime et d'aneth.

CONSEIL : Pour enfourcher une crevette afin qu'elle soit droite, tenez-la en position écartée avec une main. Commencez par le bout (la queue) et insérez une brochette de bois ou de bambou dans la crevette afin qu'elle occupe toute sa longueur. Continuez à déplier la crevette avec vos doigts pendant cette étape.

CREVETTES AU BACON ET BASILIC SUR UN BÂTON

4 à 6 portions

Ingrédients :

- 24 grandes crevettes (décortiquées, déveinées)
 24 entières feuilles de basilic frais
 24 tranches bacon (tranches fines)

Saveur de granulés de bois suggérée : Cerise / Pomme

Instructions :

1. Faites tremper les brochettes de bois dans l'eau pendant environ 1 heure.
2. **Préchauffez le gril, puis réduire à 135-177°C / 275-350°F.**
3. Enroulez un morceau de crevettes et une feuille de basilic dans une fine tranche de bacon, puis enfiler sur une brochette, en laissant un espace entre les pièces.
4. Placez les brochettes sur le gril et grillez jusqu'à ce que les crevettes soient blanches et tendres et le bacon soit joliment grillé. Les crevettes grillent rapidement; prenez soin de ne pas trop les cuire. Retournez les brochettes régulièrement pour éviter de les brûler.
5. Retirez du grill et servir.

DINDE ENTIÈRE FUMÉE

Nourri une petite armée - les restes sont délicieux!

Ingrédients :

| | |
|------------------|---|
| 1 entière | dinde (déglacée) 9-11,3 kg / 20-25 lbs |
| 60 ml / 4 c. à s | assaisonnement |
| 5 ml / 1 cc | paprika fumé |
| 45 ml / 3 c. à s | beurre |

Saveur de granulés de bois suggérée : Caryer / Cerise / Compétition

Instructions :

1. Préchauffez le gril, puis réduire à 135-177°C / 275-350°F.
2. Enlevez les cous et les abattis de la dinde. Rincez soigneusement la dinde et essuyez à l'aide d'un papier absorbant.
3. Dans un petit contenant, mélangez le beurre, 1/4 de l'assaisonnement et le paprika afin de former une pâte. Insérez délicatement votre main entre la peau extérieure et la viande de la poitrine. Bourrez la pâte à l'intérieur de la viande.
4. Avec l'assaisonnement restant, frotter la surface extérieure de la dinde.
5. Placez la dinde, poitrine vers le haut, dans le centre de la grille de cuisson et faites griller jusqu'à ce que la dinde soit tendre et brune dorée; la température interne doit atteindre 82°C / 180°F dans la partie la plus épaisse de la cuisse et 77°C / 170°F dans la poitrine.
6. Enlevez la dinde, couvrez-la avec une feuille d'aluminium et laissez-la reposer pendant 10 minutes avant de la découper.

CONSEIL : Si vous aimez utiliser la graisse et les jus qui se sont écoulés pour en faire une sauce onctueuse, alors placez la dinde sur une grille à l'intérieur d'un grand plat à rôtir en aluminium. Ajoutez environ 0,6 cm / ¼ po d'eau ou de bouillon et des épices dans le fond de la poêle. Surveillez les jus, vous devrez peut-être en ajouter plus pendant la période de rôtissage.

POULET À LA BIÈRE

2 à 6 portions

Ingrédients :

| | |
|------------------|--------------------------------|
| 1 entier | poulet 1,8-2,7 kg / 4-6 lbs |
| 1 cannette | bière, n'importe laquelle |
| 45 ml / 3 c. à s | assaisonnement |

Saveur de granulés de bois suggérée : Caryer / Pomme / Compétition

Instructions :

1. Préchauffez le gril, puis réduire à 135-177°C / 275-350°F.
2. Ouvrez la boîte et versez la moitié de la bière dans un verre à boire. Laissez la moitié dans la boîte, et faites quelques trous supplémentaires dans la partie supérieure de la boîte pour augmenter la ventilation. Ajoutez un ¼ de l'assaisonnement à la boîte.
3. Rincez soigneusement le poulet et essuyez à l'aide d'un papier

absorbant. Saupoudrez 1/4 de l'appât à l'intérieur du trou du poulet. Avec l'assaisonnement restant, frotter la surface extérieure du poulet.

4. Insérez délicatement la cannette verticale dans le creux du poulet, placez sur le gril et fermez le couvercle du gril. Cuire jusqu'à ce que le poulet soit doré et croustillant; la température interne doit atteindre 74°C / 165°F.
5. À l'aide de pinces, retirez délicatement le poulet avec la boîte en position verticale du gril. Laissez-le reposer pendant 5 minutes, puis enlevez délicatement la cannette de la poule. Soyez prudent de ne pas renverser, le liquide sera chaud.
6. Taillez le poulet et servez-le.

Variation : POULET À LA BIÈRE SANS ALCOOL

À l'aide de la même méthode décrite ci-dessus, mais au lieu d'une bière vous pouvez utiliser votre boisson favorite comme du cola (pas diète), jus de fruit ou de l'eau avec des assaisonnements en plus.

POULET SATAY DE STYLE RANCH

2 à 6 portions

Ingrédients :

| | |
|---------------|---|
| 450g / 1 lb | poitrines de poulet ou Cuisses (sans os, sans peau) |
| 112 ml / ½ c. | mélange à la vinaigrette italienne ou ranch |
| Pincée | sel |
| Pincée | poivre |

Saveur de granulés de bois suggérée : Pomme / Cerise

Instructions :

1. Coupez le poulet, sur la longueur, en morceaux de 0,63 cm / ¼ po ou plus épais. Rincez le poulet et essuyez à l'aide d'un papier absorbant.
2. Placer les morceaux de poulet dans un sac en plastique lock-top. Ajouter la vinaigrette, le sel et le poivre. Fermez le sac en plastique et secouez délicatement le sac, en vous assurant de bien imprégner le poulet avec la sauce. Placez dans le frigo pendant 1 à 2 heures ou toute la nuit. Secouez le sac une ou deux fois afin que le poulet se marie de manière uniforme.
3. Faites tremper les brochettes de bois dans l'eau pendant environ 1 heure avant de les utiliser.
4. Préchauffez le gril, puis réduire le réglage à 218°C / 425°F.
5. Retirez le poulet du sac en plastique, et tissez-le en va-et-sur les brochettes, comme un ruban.
6. Placez les brochettes sur le gril et griller jusqu'à ce que le poulet soit blanc et ferme. Retournez les brochettes régulièrement pour éviter de les brûler.
7. Retirez du grill et servir.

INFORMACIÓN DE SEGURIDAD

LAS FALLAS DE MANTENIMIENTO Y EL INCUMPLIMIENTO DE LAS DISTANCIAS REQUERIDAS ENTRE EL APARATO Y LOS MATERIALES COMBUSTIBLES SON CAUSAS IMPORTANTES DE INCENDIOS. ES DE LA MAYOR IMPORTANCIA QUE ESTE PRODUCTO SOLAMENTE SE UTILICE DE ACUERDO CON ESTAS INSTRUCCIONES.

Por favor lea y comprenda este manual en su totalidad antes de intentar armar, utilizar o instalar el producto. Esto garantizará que pueda utilizar su nuevo asador de pellets de madera de la manera más agradable y sin problemas. También le recomendamos conservar este manual para referencia futura.

PELIGROS Y ADVERTENCIAS

Debe comunicarse con su asociación local de vecinos, funcionarios de construcción o control de incendios, o con la autoridad competente, para obtener los permisos y la información necesarios sobre restricciones de instalación, como la instalación de un asador en una superficie combustible, los requisitos de inspección, o incluso la capacidad de usarlo, en su región.

1. Es necesario mantener un espacio libre mínimo de 305mm (12 pulg.) entre materiales combustibles y los costados del asador, y de 305 mm (12 pulg.) desde la parte trasera del asador a materiales combustibles. **No instale el artefacto en pisos combustibles ni en pisos protegidos con superficies combustibles, a menos que las autoridades competentes le otorguen permisos y permisos adecuados.** No use este aparato en interiores o en un área cerrada y no ventilada. Este aparato de pellets de madera no debe colocarse bajo un techo o saliente de material combustible. Mantenga su asador en un área despejada y libre de materiales combustibles, gasolina y otros vapores y líquidos inflamables.

En caso de un fuego de grasa, debe APAGAR el asador y dejar la tapa cerrada hasta que se apague el fuego. No desconecte el cable de alimentación eléctrica. No arroje agua sobre el fuego. No trate de sofocar el fuego. Es muy recomendable mantener cerca un extintor de incendios aprobado para todo tipo de fuego (clase ABC). Si ocurre un incendio sin control, llame al Departamento de Bomberos.

2. Mantenga los cables de alimentación eléctrica y la combustible de las superficies calientes. No use su asador bajo la lluvia o cerca de cualquier fuente de agua.
3. Después de un período de almacenamiento o no uso, verifique que la olla de quemado no tenga obstrucciones, la tolva para detectar objetos extraños y cualquier obstrucción de aire alrededor de la entrada del ventilador o los orificios de escape del barril trasero. Limpiar antes de usar. Se requiere cuidado y mantenimiento regulares para prolongar la vida útil de su unidad. **Si la parrilla se almacena al aire libre durante la temporada de lluvias o temporadas de alta humedad, se debe tener cuidado para asegurar que el agua no ingrese a la tolva.** Cuando está mojado o expuesto a alta humedad, los pellets de madera se expandirán mucho, se descompondrán y pueden atascar el sistema de alimentación. Siempre desconecte la alimentación, antes de realizar cualquier servicio o mantenimiento.

No transporte su asador mientras está en operación o mientras el asador está caliente. Asegúrese de que el fuego está completamente apagado y de que el asador está completamente frío al tacto antes de moverlo.

4. Se recomienda utilizar guantes resistentes al calor cuando opere el asador. No utilice accesorios no especificados para su uso con este aparato. No coloque una cubierta para asador u otra cosa inflamable dentro del espacio de almacenamiento debajo del asador.
5. Para evitar lesiones o daños al barreno, el aparato cuenta con una cubierta de seguridad en la tolva metálica. Esta cubierta no debe ser retirada a menos que así lo indique Servicio al Cliente o un distribuidor autorizado.

No se recomienda que usen este aparato los niños, las personas con capacidades físicas, sensoriales o mentales reducidas, o que no tengan suficiente experiencia y conocimientos, a menos que sean supervisados o instruidos por una persona responsable de su seguridad.

6. Algunas partes del asador podrían estar muy calientes y pueden causar lesiones graves. Mantenga a los niños pequeños y las mascotas alejados mientras lo utiliza.
7. No agranda los agujeros del encendedor ni las cámaras de combustión. De no cumplir con esta advertencia, podría causar un peligro de incendios y lesiones corporales y anulará su garantía.
8. El producto puede tener bordes o puntos afilados. El contacto puede provocar lesiones. Tratar con cuidado.

ELIMINACIÓN DE LAS CENIZAS

Las cenizas deben ser colocadas en un recipiente metálico con una tapa hermética. El recipiente cerrado de cenizas debe colocarse en un piso no combustible o en el suelo, lejos de todos los materiales combustibles, hasta su eliminación definitiva. Cuando elimine las cenizas enterrándolas en la tierra o dispersándolas, debe conservarlas en un recipiente cerrado hasta que todas las brasas se hayan enfriado por completo.

COMBUSTIBLE DE PELLETS DE MADERA

Este aparato para cocinar con pellets está diseñado y aprobado solamente para usar combustible de madera natural en forma de pellets. Quemar cualquier otro tipo de combustible en este aparato anulará la garantía y el registro de seguridad. Solamente debe utilizar pellets de madera natural, diseñados para quemarse en asadores de pellets. No use combustible que contenga aditivos.

No use roca de lava, trozos de madera, carbón de leña, licores, petróleo, gasolina, líquido de encendedores o queroseno para encender o avivar el fuego en su asador.

Al momento de la impresión, no hay un estándar de la industria para pellets de madera para asador, aunque la mayoría de los fabricantes de pellets usan los mismos estándares aplicados para la fabricación de pellets de madera para calefacción casera. Puede encontrar más información en www.pelletheat.org o en el *Pellet Fuel Institute*.

Consulte a su distribuidor local sobre la calidad de los pellets en su región y pídale información la calidad de las distintas marcas. Dado que no existe ningún control sobre la calidad de los pellets utilizados, no asumimos ninguna responsabilidad por los daños causados por combustible de mala calidad.

CREOSOTA

La creosota, u hollín, es una sustancia similar a la brea. Cuando se quema produce un humo negro que deja residuos que también son de color negro. El hollín o creosota se forma cuando el aparato se utiliza de manera incorrecta, como: una colocación incorrecta de la rejilla de combustión, obstrucción del ventilador de combustión, falta de limpieza y mantenimiento del área de combustión, o una mala relación aire-combustible en la combustión.

Es peligroso utilizar este aparato si la llama se vuelve oscura y con hollín, o si la cámara de combustión se desborda de pellets. Al encenderse, esta creosota genera un fuego extremadamente caliente y sin control, similar a un fuego de grasa. Si esto ocurre, APAGUE la unidad, déjela enfriarse por completo, y luego inspecciónela para darle mantenimiento y limpiarla. Por lo general se acumula en las áreas de escape de gases.

Si se ha formado creosota dentro de la unidad, permita que esta se caliente a una temperatura baja, luego APAGUE el aparato y limpie la acumulación con una toalla de mano. Al ser similar a la brea, es mucho más fácil limpiarla cuando está caliente, ya que se vuelve líquida..

MONÓXIDO DE CARBONO ("EL ASESINO SILENCIOSO")

El monóxido de carbono es un gas incoloro, inodoro e insípido que se produce al quemar gas, madera, propano, carbón y otros combustibles. El monóxido de carbono reduce la capacidad de la sangre para transportar oxígeno. Los niveles bajos de oxígeno en la sangre pueden causar dolor de cabeza, mareos, debilidad, náuseas, vómitos, somnolencia, confusión, pérdida de la conciencia y

muerte. Siga estas instrucciones para evitar que este gas incoloro e inodoro lo intoxique a usted, a su familia o a otras personas:

- Consulte a un médico si usted u otras personas presentan síntomas de resfriado o gripe mientras cocinan o en los alrededores del aparato. La intoxicación por monóxido de carbono, que puede confundirse fácilmente con gripe o resfriado, con frecuencia se detecta demasiado tarde.
- El consumo de alcohol y drogas aumentan los efectos de la intoxicación por monóxido de carbono.

El monóxido de carbono es especialmente tóxico para madres e hijos durante el embarazo, así como para los bebés, los ancianos, los fumadores y las personas con problemas de la sangre y el sistema circulatorio, como anemia o enfermedades cardíacas.

REGISTRO DE SEGURIDAD

De acuerdo con los procedimientos y especificaciones de la Categoría 2728-2009 de UL, "aparatos de cocina con pellets combustibles" y ULC/ORD C272 y la CSA canadiense C22.2 #3 "para características eléctricas de equipos de quema de combustible". Los aparatos de cocina con pellets Pit Boss han sido probados de manera independiente y registrados por Intertek (un laboratorio de pruebas acreditado) de acuerdo con las normas ETL, UL, ULC y CSA.



AVISO DE DERECHOS DE AUTOR

Copyright 2019. Todos los derechos reservados. Ninguna parte de este manual puede ser copiada, transmitida, transcrita o almacenada en un sistema de respaldo, en ninguna forma y por ningún medio, sin el permiso explícito por escrito de,

Dansons

3411 North 5th Avenue, Suite 500, Phoenix, AZ, USA 85013
sales@pitboss-grills.com | service@pitboss-grills.com
www.pitboss-grills.com

Servicio al Cliente

De lunes a domingo, de 4 a.m. a 8 p.m. hora del Pacífico (EN/FR/ES)
Línea sin costo: 1-877-303-3134, Fax: 1-877-303-3135

ÍNDICE

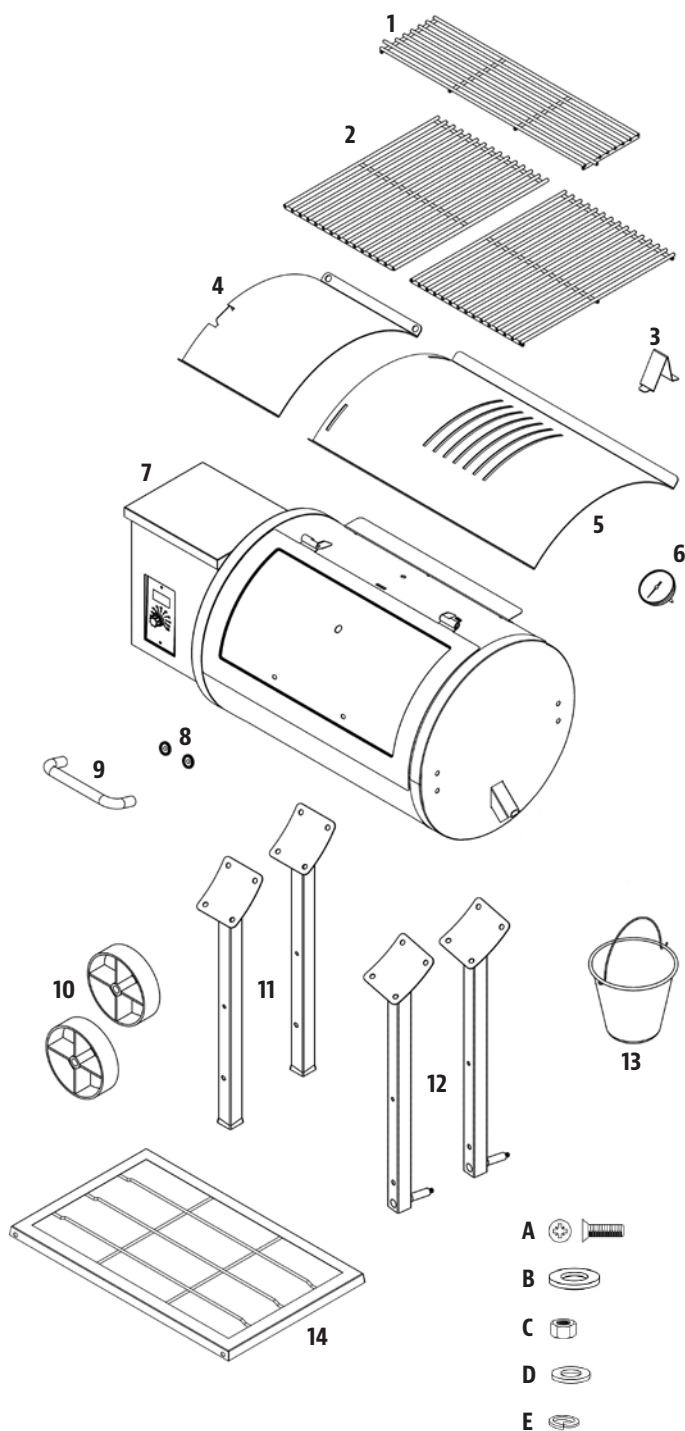
| | | | |
|---|----|--|----|
| Información de seguridad | 62 | Cuidado y mantenimiento | 75 |
| Partes y especificaciones | 66 | Uso del combustible de pellets de madera | 76 |
| Preparación del ensamblaje | 67 | Lineamientos para cocinar | 77 |
| Instrucciones de ensamblaje | | Consejos y técnicas..... | 79 |
| Montaje de las patas en el barril principal..... | 67 | Solución de problemas | 79 |
| Montaje de las ruedas en las patas | 68 | Diagrama de cableado eléctrico..... | 82 |
| Instalación de la repisa inferior | 68 | Refacciones | |
| Colocación del seguro de la tapa | 68 | Refacciones para el asador | 83 |
| Ensamblaje de la manija de la tapa | 68 | Refacciones para la tolva..... | 84 |
| Instalación del termómetro..... | 69 | Garantía | |
| Colocación de la cubeta de grasa | 69 | Condiciones..... | 84 |
| Instalación de los componentes de cocina | 69 | Excepciones | 85 |
| Conexión a una fuente de alimentación eléctrica | 70 | Cómo ordenar refacciones..... | 85 |
| Instrucciones de operación | | Contacto con Servicio al Cliente..... | 85 |
| Entorno del asador..... | 70 | Servicio bajo garantía | 85 |
| Rangos de temperaturas del asador..... | 71 | Accesorios vendidos por separado..... | 86 |
| Explicación del tablero de control..... | 72 | Recetas | 86 |
| Qué significa el Valor "P" | 73 | | |
| Procedimiento de preparación de la tolva | 73 | | |
| Primer uso - Quemado del asador | 74 | | |
| Procedimiento de arranque automático..... | 74 | | |
| Procedimiento de arranque manual | 74 | | |
| Cómo apagar su asador | 75 | | |

PARTES Y ESPECIFICACIONES

| N° | Descripción |
|----|--|
| 1 | Parrilla superior de acero recubierto de porcelana |
| 2 | Parrillas de cocción de hierro fundido recubiertas de porcelana (x2) |
| 3 | Seguro de la tapa |
| 4 | Cubierta deslizante de la rejilla de flama |
| 5 | Placa principal de rejilla de flama |
| 6 | Termómetro |
| 7 | Barril principal y conjunto de tolva |
| 8 | Bisele de la manija de la tapa (x2) |
| 9 | Manija de la tapa |
| 10 | Ruedas metálicas (x2) |
| 11 | Pata estacionaria (x2) |
| 12 | Pata con eje de rueda (x2) |
| 13 | Cubeta de grasa |
| 14 | Repisa inferior |
| A | Tornillo (x20) |
| B | Arandela (x2) |
| C | Lock Nut (x2) |
| D | Arandela (x20) |
| E | Arandela de seguridad (x20) |

NOTA: Debido a que los productos están en desarrollo constante, las partes están sujetas a cambios sin previo aviso. Llame a Servicio al Cliente si le faltan partes al ensamblar la unidad.

PB – REQUISITOS DE ALIMENTACIÓN ELÉCTRICA
110-120V, 60HZ, 275W, CONECTOR DE 3 CLAVIJAS CON TIERRA



| MODELO | UNIDAD ENSAMBLADA (An. x Al. x Prof.) | PESO DE LA UNIDAD | ÁREA PARA COCINAR | RANGO DE TEMPERATURAS | FUNCIONES DIGITALES |
|------------|--|--------------------|---|-----------------------|--|
| PB PB700FB | 1049mm x 1112mm x 678mm / 41,2pu x 43,7pu x 26,6pu | 54,4 kg / 120,0 lb | Principal - 3271 cm ² / 507 pu. cu. Parrilla superior - 1245 cm ² / 193 pu. cu. TOTAL - 4,516 cm ² / 700 pu. cu. | 82-260°C / 180-500°F | Ocho temperaturas preconfiguradas, ciclos de arranque y enfriamiento, encendedor eléctrico |

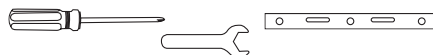
PREPARACIÓN DEL ENSAMBLAJE

Hay partes ubicadas en toda la caja de embarque, incluso debajo del asador. Inspeccione el asador, las partes y el paquete de accesorios antes de sacarlos de la caja de embarque. Antes de ensamblar el producto, revise todas las partes y compárelas con la lista de referencia. Si hay partes faltantes o dañadas, no intente ensamblar el producto. Los daños por transporte no están cubiertos por la garantía. Comuníquese con su distribuidor o con Servicio al Cliente de Pit Boss para solicitar partes: De lunes a domingo, de 4 a.m. a 8 p.m., hora del Pacífico (EN/FR/ES).

service@pitboss-grills.com | Línea sin costo: 1-877-303-3134 | Fax sin costo: 1-877-303-3135

IMPORTANTE: Para facilitar la instalación, es útil (pero no necesario) contar con dos personas para ensamblar esta unidad.

Herramientas requeridas para el ensamblaje: destornillador, llave de tuercas y nivel. *Las herramientas no están incluidas.*



INSTRUCCIONES DE ENSAMBLAJE

NOTA: En todos los siguientes pasos, no apriete por completo ningún tornillo hasta que haya colocado todos los tornillos de ese paso. Una vez que coloque todos los tornillos, apriételos bien. La combinación de hardware que implica una arandela de bloqueo y una arandela se debe instalar con la arandela de bloqueo más cercana a la cabeza del tornillo.

1. MONTAJE DE LAS PATAS EN EL BARRIL PRINCIPAL

Partes requeridas:

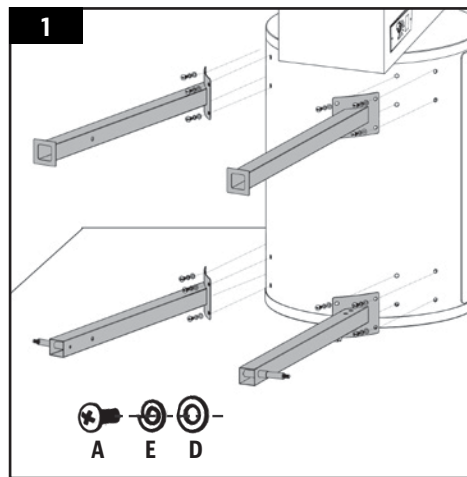
- 1 x Barril principal (#7)
- 2 x Patas estacionarias (#11)
- 2 x Patas con rueda (#12)
- 16 x Tornillos (#A)
- 16 x Arandelas de seguridad (#E)
- 16 x Arandelas (#D)

Instalación:

- Coloque un trozo de cartón en el piso para evitar que la unidad se raspe. Coloque el barril principal sobre el cartón reposando sobre un costado, con el extremo de la tolva volteado hacia arriba. Consulte la ilustración.
- Monte una pata con eje de rueda sobre el extremo del barril principal que está en el piso, usando cuatro tornillos, arandelas de seguridad y arandelas, usando los cuatro orificios pretaladrados. Repita la instalación con la segunda pata con eje de rueda.

NOTA: Los dos agujeros de la otra pata no se utilizan.

- Monte una pata estacionaria sobre el extremo del barril principal donde está la tolva, usando cuatro tornillos, arandelas de seguridad y arandelas, usando los cuatro orificios pretaladrados. Repita la instalación con la segunda pata estacionaria.



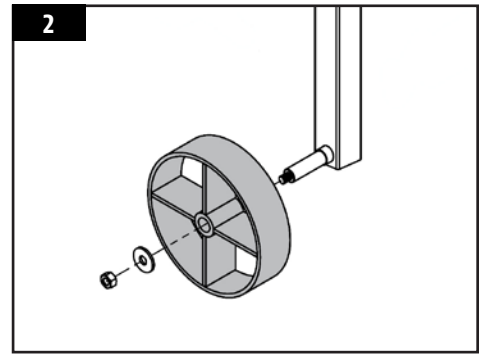
2. MONTAJE DE LAS RUEDAS EN LAS PATAS

Partes requeridas:

- 2 x Ruedas metálicas (#7)
- 2 x Arandelas (#B)
- 2 x Tuercas (#C)

Instalación:

- Deslice una rueda metálica en cada para con eje de rueda. Sujétela con una arandela y tuerca. Haga girar cada rueda para asegurarse de que ruedan con libertad.



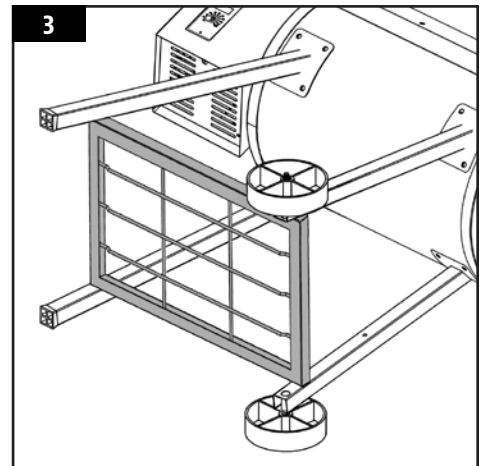
3. INSTALACIÓN DE LA REPISA INFERIOR

Partes requeridas:

- 1 x Repisa inferior (#14)
- 4 x Tornillos (#A)
- 4 x Arandelas de seguridad (#E)
- 4 x Arandelas (#D)

Instalación:

- Desde abajo, sujete la repisa inferior a cada pata utilizando un tornillo, arandela de seguridad y arandela. Asegúrese de que la superficie plana de la repisa voltee hacia arriba.
- Una vez que la repisa esté sujeta, levante cuidadosamente el asador y colóquelo en la posición correcta.



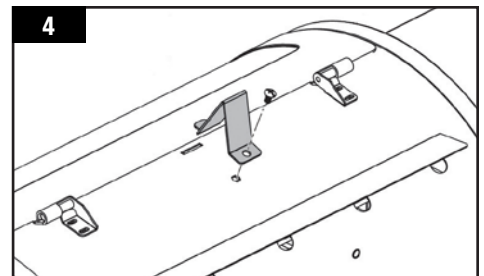
4. COLOCACIÓN DEL SEGURO DE LA TAPA

Partes requeridas:

- 1 x Seguro de la tapa (#3)

Instalación:

- Sujete el seguro de la tapa a la parte superior del barril principal usando el tornillo, arandela de seguridad y arandela preinstalado en la parte superior del barril principal.



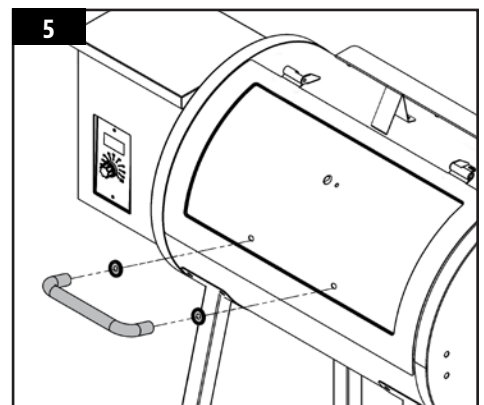
5. ENSAMBLAJE DE LA MANIJA DE LA TAPA

Partes requeridas:

- 1 x Manija de la tapa (#9)
- 2 x Biseles de la manija de la tapa (#8)

Instalación:

- Quite el hardware ya instalados en la manija de la tapa. Desde el interior de la tapa del barril, inserte un tornillo para que sobresalga hacia el exterior. Coloque un bisel en el tornillo, y luego apriete el tornillo, arandela de seguridad y arandela a mano (desde el interior) en la manija de la tapa.
- Repita el procedimiento para el otro extremo de la manija.



6. INSTALACIÓN DEL TERMÓMETRO

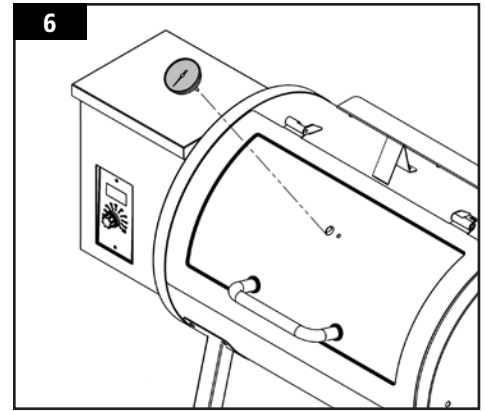
Partes requeridas:

- 1 x Montaje termómetro (#6)

Instalación:

- Quite la tuerca ya instalada en el termómetro.
- Inserte el termómetro en el orificio provisto en la parte superior de la tapa del barril principal, y luego sujételo volviendo a instalar la tuerca desde el interior. Gire el termómetro para que el texto esté al derecho y nivelado.

NOTA: Si la rotación está inclinada, podría recibir lecturas incorrectas.



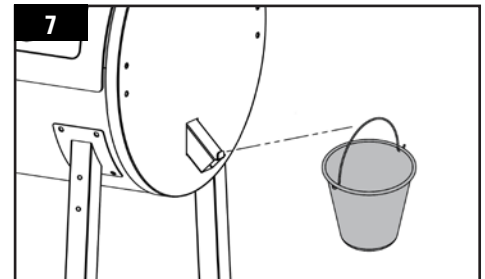
7. COLOCACIÓN DE LA CUBETA DE GRASA

Partes requeridas:

- 1 x Cubeta de grasa (#13)

Instalación:

- Coloque la cubeta de grasa en el gancho que está en el extremo del barril principal. Asegúrese de que está nivelada para evitar que se derrame la grasa.



8. INSTALACIÓN DE LOS COMPONENTES DE COCINA

Partes requeridas:

- 2 x Parrillas de cocción (#2)
- 1 x Parrilla superior (#1)
- 1 x Placa principal de rejilla de flama (#5)
- 1 x Cubierta deslizante de la rejilla de flama (#4)

Instalación:

NOTA: Ambas partes de la rejilla de flama tienen una ligera capa de aceite para evitar la oxidación durante el transporte.

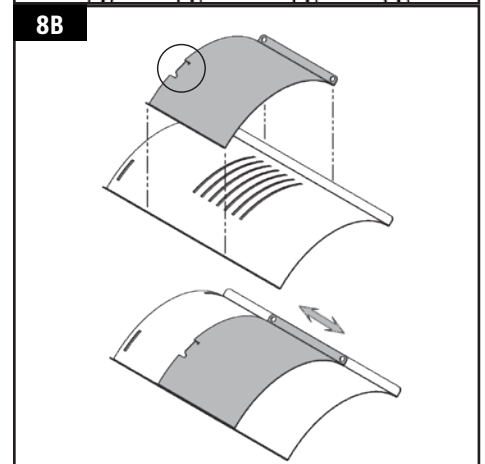
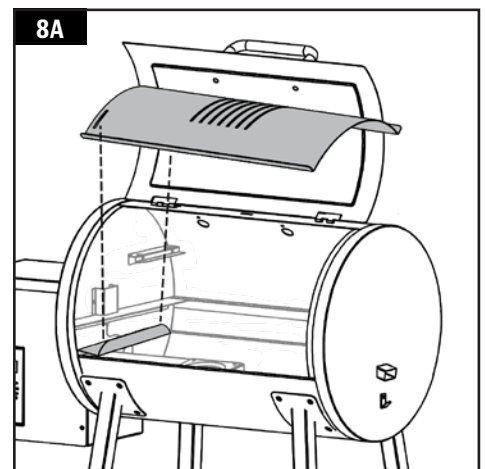
- Inserte la placa principal de la parrilla de la llama en la parrilla principal, primero el lado derecho. Coloque la placa principal del asador a la llama en el borde integrado (en la parte interior derecha) de la parrilla principal que dirige la grasa hacia el cubo de grasa. Deslice la pieza completa hacia el lado izquierdo, y las dos ranuras de la placa principal de la parrilla de fuego encajarán en el borde redondeado sobre la olla contra incendios. Se sentará ligeramente en un ángulo hacia abajo. Observe la ilustración 8A.

IMPORTANTE: Si la placa principal del asador a la llama está en la base del barril, se instala incorrectamente. El asador a la llama debe sentarse en ángulo, con el lado izquierdo sentado más alto que el derecho.

- Coloque el deslizador de la parrilla de la llama en la parte superior de la placa principal de la parrilla de la llama, cubriendo las aberturas ranuradas. Asegúrese de que la lengüeta levantada esté a la izquierda, para ajustar fácilmente la llama directa o indirecta al cocinar. Observe la ilustración 8B.

NOTA: Cuando la cubierta deslizante está abierta y se usa fuego directo para cocinar, no deje el asador sin atención en ningún momento.

- Coloque las parrillas lado a lado en el borde que está dentro del asador



principal. Coloque la parrilla superior en el borde superior dentro del asador principal. La parrilla encajará en su sitio.

- La unidad ya está completamente ensamblada.

NOTA: Para mantener el mejor desempeño en sus parrillas de cocción, es necesario darles cuidado y mantenimiento.

9. CONEXIÓN A UNA FUENTE DE ALIMENTACIÓN ELÉCTRICA

NOTA: Antes de conectar su Pit Boss a un tomacorriente, asegúrese de que el control de temperatura se encuentra en la posición "OFF" ("APAGADO").

• TOMACORRIENTE ESTÁNDAR

Este aparato requiere servicio de 110 voltios, 60Hz, 275W, 5 amps. Debe usar un enchufe de 3 clavijas con conexión a tierra. Asegúrese de que la clavija de tierra no esté rota antes de usarlo. El control utiliza un fusible rápido de 120 voltios, 5 amps para proteger el circuito del encendedor.

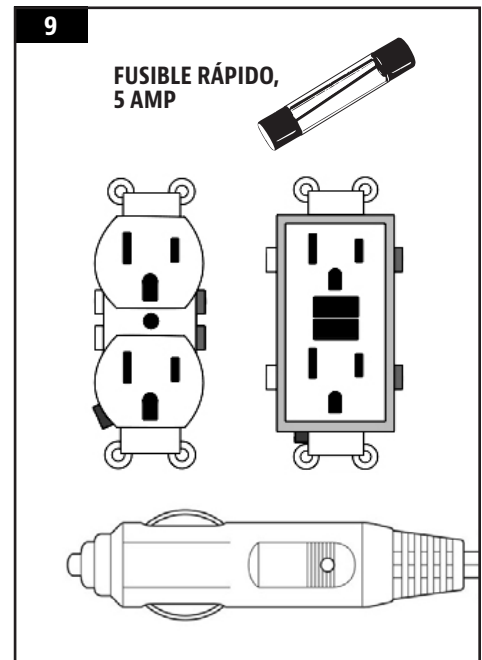
• TOMACORRIENTES GFCI

Este aparato funciona con la mayoría de los tomacorrientes GFCI, con una capacidad recomendada de 15 amps. Si su tomacorriente GFI es muy sensible a los picos de voltaje, muy probablemente se disparará durante la fase de arranque. Durante la fase de arranque, el encendedor consume de 200 a 700 watts de electricidad, que puede ser demasiado para un tomacorriente GFCI. La calidad del GFCI no importa, sino su sensibilidad; cada vez que se dispara, su sensibilidad aumenta. Si el GFCI se dispara constantemente, reemplace el tomacorriente o cámbielo por uno que no sea GFCI.

• EN CUALQUIER LUGAR

Desconecte el encendedor de la alimentación principal. Use el procedimiento de arranque manual. Una unidad Pit Boss puede operar con un invertidor de 12 volts, 100 watts conectado a su automóvil. Para usar el encendedor automático, se recomienda que utilice un invertidor de por lo menos 1000 watts.

IMPORTANTE: Desconecte la unidad de la fuente de energía cuando no esté en uso.



INSTRUCCIONES DE OPERACIÓN

Con el estilo de vida moderno en el que nos esforzamos para comer alimentos saludables y nutritivos, un factor a considerar es la importancia de reducir la ingesta de grasas. Una de las mejores maneras de reducir la grasa de su dieta es utilizar un método de cocción bajo en grasas, como el asado. Dado que un asador de pellets usa pellets de madera natural, el sabor de la madera se integra a las carnes, lo que reduce la necesidad de usar salsas con alto contenido de azúcares. A lo largo de este manual notará un énfasis en asar la comida lentamente, a temperaturas BAJAS o MEDIAS.

ENTORNO DEL ASADOR

1. EN DÓNDE COLOCAR EL ASADOR

Con todos los aparatos para exteriores, las condiciones climatológicas externas tendrán un papel importante en el desempeño de su asador y en los tiempos de cocción necesarios para perfeccionar sus comidas.

Todas las unidades Pit Boss requieren un espacio libre mínimo de 305mm (12 pulg.) de separación de materiales combustibles, y este espacio debe mantenerse todo el tiempo que se use el asador. Este aparato no debe colocarse bajo un techo o saliente de material

combustible. Mantenga su asador en un área libre de materiales combustibles, gasolina y otros vapores y líquidos inflamables.

2. COCINA EN CLIMAS FRÍOS

Conforme la temperatura exterior se vuelva más fría, ¡no significa que la temporada de asar se ha terminado! El aire fresco y delicioso aroma de la comida ahumada ayudará a curar la depresión invernal.

Aproveche estas sugerencias para disfrutar de su asador durante los meses fríos:

- Si no es posible ahumar a bajas temperaturas, aumente ligeramente la temperatura para lograr el mismo resultado.
- Organícese – Prepare todo lo que necesitará en la cocina antes de salir al exterior. Durante el invierno, mueva su asador a un área que esté a cubierto del viento y el frío directo. Revise las ordenanzas locales sobre la proximidad del asador a su hogar y/o a otras estructuras. Ponga todo lo que necesita en una bandeja, ¡abrigúese bien y hágalo!
- Para ayudarle a tener presente la temperatura exterior, coloque un termómetro para exteriores cerca del área en la que cocina. Lleve una bitácora o diario de lo que cocinó, la temperatura exterior y el tiempo de cocido. Esto le ayudará en el futuro para determinar qué cocinar y cuánto se tardará.
- En clima muy frío, aumente su tiempo de precalentado al menos 20 minutos.
- Trate de no levantar la tapa más de lo necesario. Las rachas de viento frío podrían enfriar completamente la temperatura de su asador. Sea flexible con su tiempo para servir; añada de 10 a 15 minutos adicionales al tiempo de cocción cada vez que abra la tapa.
- Tenga un hornillo y o una cubierta listos para mantener su comida caliente mientras la lleva al interior.
- Los alimentos ideales para cocinar en invierno son los que requieren poca atención, como asados, pollos enteros, costillas y pavos. Facilite aún más la preparación de sus comidas añadiendo elementos simples, como verduras y papas.

3. COCINA EN CLIMAS CALIENTES

Conforme esté más caliente en el exterior, el tiempo de cocción se reducirá.

Siga estas sugerencias para disfrutar de su asador durante los meses cálidos:

- Ajuste sus temperaturas de cocción a la baja. Esto ayuda a evitar las llamaradas indeseables.
- Use un termómetro de carnes para determinar la temperatura interna de sus comidas. Esto ayuda a evitar que su carne se cocine demasiado y se seque.
- Incluso en climas cálidos, es mejor cocinar con la tapa del asador abajo.
- Puede mantener las comidas calientes envolviéndolas en papel aluminio y colocándolas en un recipiente con aislamiento térmico. Coloque bolas de papel periódico alrededor del papel aluminio y mantendrá la comida caliente de 3 a 4 horas.

RANGOS DE TEMPERATURAS DEL ASADOR

Las lecturas de temperatura en el tablero de control podrían no coincidir exactamente con las del termómetro. Todas las temperaturas mencionadas abajo son aproximadas y se ven afectadas por los siguientes factores: temperatura ambiente en el exterior, cantidad y dirección del viento, calidad de los pellets que se utilizan, si la tapa está abierta, y la cantidad de comida que se está preparando.

• TEMPERATURAS ALTAS (205-260°C / 401-500°F)

Este rango es útil para marcar la carne y asar con calor alto. Use en conjunto con la rejilla de flama para cocinar a fuego directo o indirecto. Con **la rejilla de flama abierta**, se usa fuego directo para crear esos bistecs "azules", así como verduras cocinadas ligeramente, pan de ajo tostado, ¡o bombones! Cuando **la rejilla de flama está cerrada**, el aire circula alrededor del barril, generando calor de convección. Las temperaturas altas también se usan para precalentar su asador, limpiar las parrillas de cocción con calor, y para lograr un calor elevado en condiciones de clima extremadamente frío.

• TEMPERATURAS MEDIAS (135-180°C / 275-356°F)

Este rango es mejor para hornear, cocer y terminar esa creación ahumada lentamente. Cocinar a estas temperaturas reducirá en gran medida las probabilidades de una llamarada de grasa. Asegúrese de que la cubierta deslizante de la rejilla de flama esté en la posición cerrada, cubriendo las aberturas. Este es un rango excelente para cocinar cualquier cosa que esté envuelta en tocino, o cuando quiera versatilidad en el control.

• **TEMPERATURAS BAJAS (80-125°C / 176-257°F)**

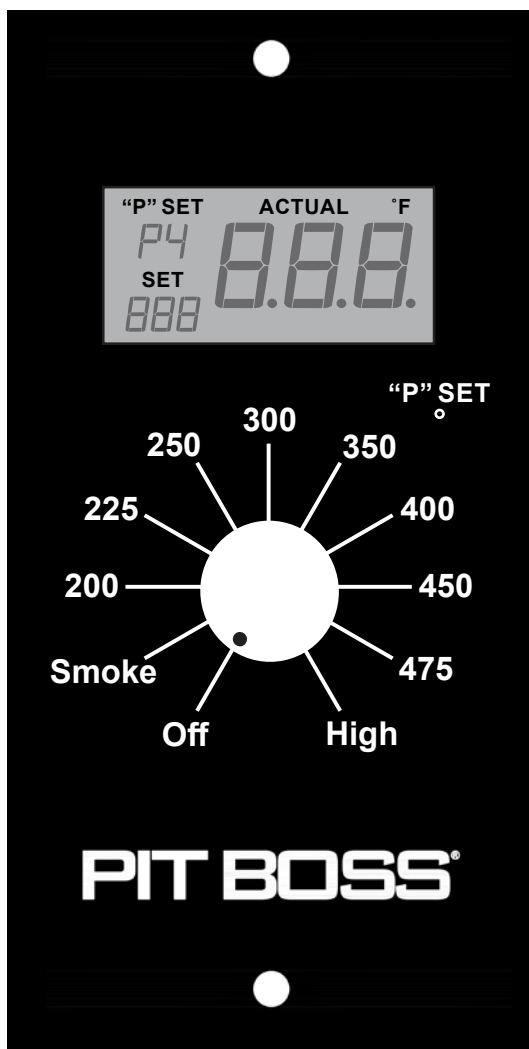
Este rango se usa para asar lento, aumentar el sabor del ahumando y mantener caliente la comida. Infunda más sabor ahumado y mantenga la carne jugosa al cocinarla más tiempo a una temperatura más baja (esto también se conoce como **bajo y lento**). Muy recomendable para el pavo de Acción de Gracias, un jugoso jamón para la Pascua, o un enorme banquete para las fiestas.

El ahumado es una variación del asado, y es la principal ventaja de cocinar en un asador de pellets de madera. El **ahumado caliente**, que es otro nombre para cocinar "**bajo y lento**", generalmente se hace a 80-125 °C / 176-257 °F. El ahumado caliente funciona mejor cuando se necesita un tiempo de cocción más largo, como para cortes de carne, pescados o aves grandes.

CONSEJO: Para un sabor más intenso, cambie al rango de temperatura de ahumado (bajo) inmediatamente después de poner su comida en el asador. Esto permite que el humo penetre en las carnes.



La clave está en experimentar con el tiempo que deja ahumar antes de que la comida termine de prepararse. Algunos chefs de exteriores prefiere ahumar al terminar de cocinar, lo que permite mantener la comida caliente hasta que está lista para servirse. ¡La práctica hace al maestro!

EXPLICACIÓN DEL TABLERO DE CONTROL



| FUNCIÓN | DESCRIPCIÓN |
|--------------|---|
| | El dial de control de temperatura le permite configurar la temperatura deseada para fumar. Gire el mando para seleccionar entre Humo, cualquiera de los ocho ajustes de temperatura o Alta. |
| Off | La desactivación de la configuración en el control de temperatura es el modo fuera de la unidad. La unidad no funcionará en este ajuste. |
| Smoke | La configuración de humo en el dial de control de temperatura es el modo de inicio de la unidad. La parrilla funciona a la temperatura más baja, sin que se apague el fuego. |
| High | El ajuste alto en el dial de control de temperatura es el nivel de calor más alto para la unidad. La parrilla funciona a la temperatura más alta. Cuando la tapa está abierta, la parrilla funcionará a esta velocidad para compensar la pérdida de calor en el barril. |
| | La pantalla LED se utiliza como centro de información para su unidad. La pantalla LED mostrará la temperatura de cocción deseada (Set), la temperatura de cocción real (ACTUAL) y el ajuste "P" seleccionado (set "P"). Consulte Solución de problemas para obtener más información sobre los códigos de error. |
| | |

| LECTURA | DESCRIPCIÓN |
|------------------------------|---|
| 888 | Aparece por un momento cuando se conecta el asador a la alimentación eléctrica. |
| Temperatura REAL | Cuando la temperatura del asador está por debajo de 66 °C / 150 °F |
| Temperatura REAL parpadeando | Indica que el encendedor está encendido. |
| Valor "P" | Indica el valor "P" seleccionado. |

| | | |
|--|--|---|
|  | SET | Indica la temperatura de cocción deseada. |
| | Mensaje de error "ErH" | El asador se ha sobrecalentado. |
| | Mensaje de error "ErR" | El cable del sensor de temperatura no está conectado. |
| | Mensaje de error "ErP" | Hubo un corte de energía durante la operación. |
| "P" SET  | El botón "P" SET se usa para seleccionar una de las ocho afinaciones finas de temperatura. Use esta función para cambiar la configuración de "P" para adaptarse a su estilo de cocina y entorno de cocina, según prefiera. Al presionar brevemente el botón empotrado, el ajuste aumenta de P0 a P7 y luego se repite. Los ajustes se realizan mejor cuando el dial de control de temperatura se establece en Humo, lo que permite el control manual del sistema de alimentación de pellets. La configuración predeterminada es P4. | |

QUÉ SIGNIFICA EL VALOR "P"

Cuando oprime el botón deprimido "P" SET (Valor "P"), el valor "P" que aparece en la pantalla LCD parpadea y cambia al siguiente valor (ascendiente). Una vez que llega a P7, cambiará a P0. Hay ocho configuraciones para "P", desde P0 hasta P7. El botón deprimido "P" SET (Valor "P") se puede oprimir con un objeto de punta delgada.

Importante: No oprima el botón "P" SET (Valor "P") con demasiada fuerza, pues podría dañarlo. Sólo necesita una presión suave.

• USO DEL VALOR "P" EN MODO DE AHUMADO

Cada vez que el control de temperatura se establece en HUMO, como el ciclo de inicio, el sinfín funcionará en más de un modo manual de cocción en lugar de usar una de las temperaturas predeterminadas de marcado. Primero, el sinfín girará y alimentará pellets continuamente durante cuatro minutos. Después de cuatro minutos, la barrena comienza a ejecutar un ciclo de alimentación basado en la configuración "P" seleccionada en el tablero de control digital. La configuración predeterminada es P4.

| VALOR "P" | CICLO DE LA BARRENA (segundos) | |
|------------|--------------------------------|------------|
| | ENCENDIDO | APAGADO |
| P0 | 18 | 55 |
| P1 | 18 | 70 |
| P2 | 18 | 85 |
| P3 | 18 | 100 |
| *P4 | 18 | 115 |
| P5 | 18 | 130 |
| P6 | 18 | 140 |
| P7 | 18 | 150 |

** Configuración predeterminada*

PROCEDIMIENTO DE PREPARACIÓN DE LA TOLVA

Debe seguir estas instrucciones la primera vez que encienda el asador y cada vez que el asador se quede sin pellets en la tolva. La barrena debe cebarse para permitir gránulos viajen a través de la longitud de la barrena, y llenan el crisol del fuego. **Si no está cebado, el encendedor se apagará antes de que se enciendan los gránulos y no se iniciará ningún incendio.** Siga estos pasos para cebar la tolva:

1. Abra la tapa de la tolva. Asegúrese de que no hay objetos extraños en el barreno ni en la tolva.
2. Quite todos los accesorios para cocinar del interior del asador. Locate the fire pot in the bottom of the main barrel.
3. Con el **control de temperatura** en la posición OFF (APAGADO), conecte el cable de alimentación a un tomacorriente.
4. Gire el **control de temperatura** a la posición SMOKE (Ahumar). Revise los siguientes puntos:
 - Que el barreno esté girando. Coloque su mano sobre la cámara de combustión y sienta si hay movimiento de aire. No coloque su mano ni sus dedos dentro de la cámara de combustión. De hacerlo podría sufrir lesiones.

- Después de aproximadamente un minuto debe oler los vapores del encendedor y comenzar a servir que el aire se calienta. La punta del encendedor no se pone roja. Esta parte se pone extremadamente caliente y puede quemar. No toque el encendedor.
5. Una vez que se haya verificado que todos los componentes electrónicos funcionan correctamente, gire el **control de temperatura** a apagado.
 6. Llene la tolva con pellets de pellets de madera natural.
 7. Gire el **control de temperatura** a HUMO. Espere aproximadamente 3 minutos para que los gránulos comiencen a caer en la estufa desde el tubo del sinfín. Una vez que las píldoras comienzan a caer en la olla de fuego, apague el **control de temperatura**.
 8. Vuelva a instalar los componentes de cocción en el barril principal. La parrilla está lista para usar. (Vea las *instrucciones de montaje* para asegurar la instalación correcta de los componentes de cocción.

PRIMER USO - QUEMADO DEL ASADOR

Una vez que la tolva esté preparada y antes de cocinar por primera vez en su asador, es importante hacer un "quemado" del asador. Encienda el asador y opérela a cualquier temperatura superior a 176 ° C / 350 ° F (con la tapa abajo) durante 30 a 40 minutos para "quemar" el asador y eliminar todas las sustancias extrañas.

PROCEDIMIENTO DE ARRANQUE AUTOMÁTICO

1. Abra la tapa del barril. CRevise la cámara de combustión y asegúrese de que no hay ninguna obstrucción para un encendido correcto. Abra la tapa de la tolva. Asegúrese de que no hay objetos extraños en la tolva ni en el sistema de alimentación por barreno. Llene la tolva con pellets secos de madera dura para asador. Asegúrese de que el **control de temperatura** se encuentra en la posición OFF (Apagado). Conecte el cable de alimentación a un tomacorriente con conexión a tierra.
2. Gire el **control de temperatura** a SMOKE (AHUMAR). Esto activará el ciclo de arranque. El sistema de alimentación por barreno comenzará a girar, el encendedor empezará a brillar y el ventilador suministrará aire a la cámara de combustión. El asador producirá humo mientras se realiza el ciclo de encendido. La tapa del barril debe permanecer abierta durante el ciclo de arranque. Para confirmar que el ciclo de arranque inició correctamente escuche el rugido del fuego y confirme que se está produciendo calor.
3. Una vez que el humo blanco y pesado se haya disipado, el ciclo de inicio se habrá completado y estará listo para disfrutar de su parrilla a la temperatura deseada.

PROCEDIMIENTO PARA FALLAS DEL ENCENDEDOR

Si por alguna razón su encendedor eléctrico falla o la llama de su parrilla se apaga durante la cocción, revise los siguientes pasos o inicie su parrilla usando el método manual.

1. Gire el **control de temperatura** a la posición OFF (APAGADO). Abra la tapa. Quite todos los accesorios para cocinar del asador. Saque todos los pellets sin quemar y las cenizas de la cámara de combustión. No toque el encendedor para evitar quemarse, ya que estará extremadamente caliente.
2. Una vez que saque y limpie todas las partes, gire el **control de temperatura** a SMOKE (AHUMAR). Verifique lo siguiente:
 - Confirme visualmente que el encendedor está funcionando, colocando su mano sobre la cámara de combustión para percibir que haya calor.
 - Confirme visualmente que el encendedor sobresale alrededor de 13 mm / 0.5 pulg. en la cámara de combustión.
 - Confirme visualmente que el barreno está depositando pellets en la cámara de combustión.
 - Confirme que el ventilador de combustión está funcionando, escuchando el ruido.
3. Si alguno de los puntos anteriores no funciona, siga las instrucciones de **Solución de problemas**.

PROCEDIMIENTO DE ARRANQUE MANUAL

1. Asegúrese de que el **control de temperatura** se encuentra en la posición OFF (APAGADO). Conecte el cable de alimentación a un tomacorriente con conexión a tierra.
2. Revise la cámara de combustión y asegúrese de que no hay ninguna obstrucción para un encendido correcto. Abra la tapa

de la tolva. Asegúrese de que no hay objetos extraños en la tolva ni en el sistema de alimentación por barreno. Llene la tolva con pellets secos de madera dura natural para asador.

- Abra la tapa del barril. Quite todos los accesorios para cocinar para exponer la cámara de combustión. Coloque una cantidad generosa de pellets en la cámara de combustión. Rocíe iniciador en gel u otro iniciador apropiado para pellets sobre la parte superior de los pellets. También puede usar una pequeña cantidad de iniciador sólido, como los hechos de aserrín y cera, o virutas de madera. Añada otra pequeña cantidad de pellets a la cámara de combustión.

NOTA: No use licores, petróleo, gasolina, líquido de encendedores o queroseno para encender o avivar el fuego en su asador.

- Encienda el contenido de la cámara de combustión con un fósforo largo o un encendedor alargado. Permita que el iniciador arda de 3 a 5 minutos. No intente añadir más iniciador a la cámara de combustión. De hacerlo podría sufrir lesiones.
- Vuelva a colocar, rápida y cuidadosamente, los accesorios para cocinar en el interior del barril. Continuar la puesta en marcha en el paso dos de **procedimiento de arranque automático**.

CÓMO APAGAR SU ASADOR

- Cuando termine de cocinar, con la tapa del barril principal cerrada, gire el selector de **control de temperatura** a la posición OFF.

CUIDADO Y MANTENIMIENTO

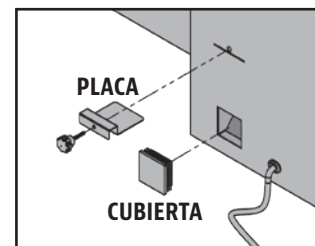
Todos los asadores de pellets Pit Boss le darán muchos años de delicioso servicio con un mínimo de limpieza. Un paso importante es permitir que el asador y las parrillas de cocción se "autolimpie" operando el asador en temperatura alta por 5 a 10 minutos después de cada uso. Siga estas indicaciones de mantenimiento y limpieza para dar servicio a su asador:

1. CONJUNTO DE TOLVA

- La tolva incluye una función de limpieza para facilitar su limpieza y el cambio de sabores de pellets. Para vaciarla, encuentre la placa y la cubierta del conducto de bajada en la parte trasera de la tolva. Coloque una cubeta vacía y limpia debajo de la cubierta del conducto de bajada, y luego quite la cubierta. Desatornille la placa, deslícela hacia afuera, y los pellets se vaciarán.

NOTA: Use un cepillo de mango largo o una aspiradora para sacar el exceso de pellets, el aserrín y los desechos para limpiar bien la cubierta de la tolva.

- Revise y limpie todos los desechos del respiradero de entrada de aire del ventilador, que está en la parte inferior de la tolva. Una vez que quite el panel de acceso de la tolva (ver el diagrama en el **Diagrama de cableado eléctrico**), limpie cuidadosamente toda la grasa acumulada en las aspas del ventilador. Esto garantiza un flujo de aire apropiado para el sistema de alimentación.



2. SUPERFICIES INTERIORES

- Es recomendable limpiar su cámara de combustión después de varios usos. Esto garantizará un encendido adecuado y evitará la acumulación de desechos o ceniza endurecidos en la cámara de combustión.
- Usando un cepillo para limpieza de asadores con mango largo (de latón o metal suave), elimine toda la comida y acumulación de residuos de las parrillas de cocción. Es mejor hacerlo mientras siguen calientes de una cocción anterior. Los fuegos de grasa son causados por la caída de demasiados desechos en los componentes de cocción del asador. Limpie el interior de su asador con regularidad. En caso de que experimente un fuego de grasa, mantenga la tapa del asador cerrada para sofocar el fuego. Si el fuego no se apaga con rapidez, quite cuidadosamente la comida, apague el asador y cierre la tapa hasta que el fuego se apague por completo. Espolvoree una pequeña cantidad de bicarbonato de sodio, si tiene disponible.
- Revise su cubeta de grasa con frecuencia, y límpiela cuando sea necesario. Tome en cuenta el tipo de cocina que hace.

IMPORTANTE: Debido al alto calor, no cubra la rejilla de flama ni los sensores con papel aluminio.

3. SUPERFICIES EXTERIORES

- Limpie su asador después de cada uso. Use agua jabonosa tibia para cortar la grasa. No utilice limpiador para hornos, limpiadores abrasivos ni fibras abrasivas en las superficies externas del asador. **Las superficies pintadas no están cubiertas por la garantía**, sino que son parte del mantenimiento general. En caso de raspones, desgaste o grietas del acabado, puede retocar todas las superficies pintadas con pintura High Heat BBQ.
- ¡Use una cubierta de asador para darle una mayor protección a su asador! Una cubierta es la mejor protección contra el clima y los contaminantes externos. Cuando no lo use, o para almacenarlo por períodos prolongados, mantenga el asador bajo una cubierta en una cochera o cobertizo.

TABLA DE FRECUENCIA DE LIMPIEZA (USO NORMAL)

| ARTÍCULO | FRECUENCIA DE LIMPIEZA | MÉTODO DE LIMPIEZA |
|-------------------------------------|---------------------------------------|---|
| Parte inferior del asador principal | Cada 5-6 usos | Sacar con pala o aspiradora los desechos |
| Cámara de combustión | Cada 2-3 usos | Sacar con pala o aspiradora los desechos |
| Parrillas de cocción | Después de cada uso | Quemar los residuos, cepillo de alambre de latón |
| Rejilla de flama | Cada 5-6 usos | Raspar la placa principal y la deslizante, no lavar |
| Cubeta de grasa | Después de cada uso | Fibra de limpieza y agua jabonosa |
| Sistema de alimentación por barreno | Cuando la bolsa de pellets esté vacía | Dejar que el barreno empuje el aserrín, dejando la tolva vacía |
| Componentes eléctricos de la tolva | Una vez al año | Sacudir el interior, limpiar las aspas del ventilador con agua jabonosa |
| Respiradero de entrada de aire | Cada 5-6 usos | Sacudir, fibra de limpieza y agua jabonosa |
| Sensor de temperatura | Cada 2-3 usos | Fibra de limpieza y agua jabonosa |

USO DEL COMBUSTIBLE DE PELLETS DE MADERA


Los pellets de madera de barbacoa de combustión limpia generan alrededor de 8200 BTU por libra, con muy poca ceniza, poco contenido de humedad (5-7%) y son neutrales en carbón.


Los pellets de madera para asador se producen con material puro en bruto (aserrín) que se pulveriza en un aserradero, y el material se pasa a presión por un troquel. Conforme el pellet pasa por el troquel, se corta, se enfría, se inspecciona, se aspira y se empaqueta para su venta al consumidor. Consulte a su distribuidor local respecto a los sabores disponibles en su región.


MEZCLA DE NOGAL 
Rico sabor ahumado, similar al tocino. Considerada la "reina de las maderas".

MEZCLA DE MEZQUITE 
Sabor fuerte y picante. Especial para cocina Tex-Mex.

MEZCLA DE MANZANO 
Sabor ahumado, ligeramente dulce. Muy recomendado para hornear.

MEZCLA DE CEREZO 
Ligeramente dulce, pero también ácido. Le da un tinte rosado a las comidas claras.

MEZCLA DE BARRIL DE WHISKY 
Humo fuerte y dulce con un sabor aromático. Perfecta para carnes rojas.

MEZCLA DE COMPETENCIA 
Mezcla perfecta de dulce, picante y ácido. Usada por muchos profesionales del asador.

NOTA: Siempre guarde los pellets de madera en un lugar seco. Evite todo el contacto o exposición a la humedad, ya que esto resultará en una menor generación de calor o hará que los pellets se hinchen y desmoronen. Use una tina o cubeta hermética a prueba de humedad para almacenarlos correctamente.

LINEAMIENTOS PARA COCINAR

Ahumar y asar pueden dar diferentes resultados dependiendo del tiempo y la temperatura. Para obtener los mejores resultados lleve un registro de lo que cocinó, a qué temperatura, por cuánto tiempo, y los resultados. Ajuste a su gusto la próxima vez. La práctica hace al maestro.

El arte culinario del ahumado caliente significa un tiempo de cocción más largo, pero le da a sus carnes un sabor de madera más natural (y un muy codiciado "**anillo de humo**"). Las temperaturas de cocción más altas resultan en tiempos de cocción más cortos y menos sabor ahumado.

CONSEJO: Para obtener los mejores resultados, deje que las carnes reposen después de cocinarlas. Esto permite que los jugos naturales regresen al interior de la carne, con lo que tendrá un corte mucho más jugoso y sabroso. Los tiempos de reposo pueden ser de 3 minutos hasta 60 minutos, dependiendo del tamaño de la proteína.

| ESTILO DE COCINA | AHUMADO CALIENTE (Muy bajo) | COCIDO (Bajo) | HORNEADO (Medio) | ASADO/HORNEADO (Medio/Alto) | MARCADO (Alto) |
|-----------------------|-----------------------------|-----------------------|-----------------------|-----------------------------|-----------------------|
| Rango de temperaturas | 93-135°C / 199-275°F | 135-162°C / 275-323°F | 162-190°C / 323-374°F | 190-232°C / 374-449°F | 232-260°C / 449-500°F |

| AVES | TAMAÑO | Un cuarto - 54°C / 130°F | Medio - 60°C / 140°F | Bien cocido - 77°C / 170°F |
|------------------------------|--|--------------------------|----------------------|--|
| Pavo (entero) | 4.5-5.0 kg / 10-11 lbs. 5.3-6.4 kg / 12-14 lbs. 6.8-7.7 kg / 15-17 lbs. 8.2-10.0 kg / 18-22 lbs. 10.4-11.3 kg / 23-25 lbs. | | | Asar de 90 a 120 minutos Asar de 110 a 140 minutos Asar de 130 a 160 minutos Asar de 140 a 170 minutos Asar de 150 a 180 minutos |
| Pollo (entero) | 1.36-2.26 kg / 3-5 lbs. | | | Asar de 1 a 1.5 horas |
| Muslos, pechugas | 0.45 - 0.86 kg / 1 - 1½ lbs. | | | Asar de 30 a 60 minutos |
| Aves de caza pequeñas | 0.45 - 0.86 kg / 1 - 1½ lbs. | | | Asar de 30 a 45 minutos |
| Pato | 1.36-2.26 kg / 3-5 lbs. | | | Asar o cocer de 2 a 2.5 horas |

| CERDO | TAMAÑO | Precocido para recalentar 60°C / 140°F | Medio 66°C / 150°F | Bien cocido 71°C / 160°F |
|--|--|--|------------------------------------|---|
| Jamón (Porción bien cocida y sin hueso, ahumado para picnic entero y con hueso) | 2.5 cm / 1 pulg. 1.36-1.81 kg / 3-4 lbs. 1.81-2.72 kg / 4-6 lbs. 2.26-3.62 kg / 5-8 lbs. 4.53-5.44 kg / 10-12 lbs. | 12 minutos 50 minutos a 1 hora 1 a 2 horas 1 a 2½ horas 2 a 2¾ horas | | |
| Asado de lomo | 1.36-1.81 kg / 3 - 4 lbs. | | 1 a 2 horas | 2 a 3 horas |
| Corona de costillas asada | 1.81-2.26 kg / 4 - 5 lbs. | | 1 ½ a 2 horas | 2 a 3 horas |
| Chuleta (lomo, costillas) | 1.9-2.5 cm / ¾ - 1 pulg. 3.1-3.9 cm / 1¼ - 1½ pulg. | | 10 a 12 minutos 14 a 18 minutos | |
| Lomo | 1.9-2.5 cm / ¾ - 1 pulg. | | 20 a 30 minutos | 30 a 45 minutos |
| Asado de lomo, sin huesos | 1.36-2.26 kg / 3-5 lbs. | | 1¼ a 1¾ horas | 1¾ a 2½ horas |
| Boston Butt (hombro de puerco) | 3.62-4.53 kg / 8-10 lbs. | | | 93 - 98°C / 200 - 210°F Temperatura interior |

| RES | TAMAÑO | CALOR | TIEMPO APROXIMADO DE COCCIÓN | | |
|--|---|---------------------|--|-----------------------|-----------------------------|
| | | | Un cuarto 54°C / 130°F | Medio 60°C / 140°F | Bien cocido 65°C / 150°F |
| Bistec (<i>New York, Porterhouse, Rib-eye, Sirloin, T-bone o lomo</i>) | 1.9 cm / ¾ pulg. 2.5 cm / 1 pulg. 3.8 cm / 1½ pulg. 5 cm / 2 pulg. | Alto | Marcar 8 a 10 minutos Marcar 10 a 12 minutos Marcar 10 minutos, asar 8 a 10 minutos Marcar 10 minutos, asar 10 a 14 minutos | | |
| Falda de res | 0.6 - 12.7 cm / ¼ - ½ pulg. | Alto | 5 a 7 minutos | | |
| Arrachera | 0.45 - 0.86 kg / 1 - 1½ lbs., 1.9 cm / ¾ pulg. | Medio | Marcar 4 minutos, asar 8 a 10 minutos | | |
| Kebab | Cubos de 2.5 - 3.8 cm / 1 - 1½ pulg. | Medio | Asar 10 a 12 minutos | | |
| Tenderloin, entero | 1.58 - 1.81 kg / 3½ - 4 lbs. | Alto/Medio | 1 ½ a 2 horas | | |
| Hamburguesa | 1.9 cm / ¾ pulg. | Alto/Medio | Marcar 4 minutos, asar 4 a 6 minutos | | |
| Asado de rib-eye, sin huesos | 2.26 - 2.72 kg / 5 - 6 lbs. | Medio | 1 ½ a 2 horas | | |
| Asado de tri-tip | 0.9 - 1.13 kg / 2 - 2½ lbs. | Alto/Medio | Marcar 10 minutos, asar 20 a 30 minutos | | |
| Asado de costilla | 5.44 - 6.35 kg / 12 - 14 lbs. | Medio | 2 ½ a 2 ¾ horas | | |
| Chuleta de ternera | 2.5cm / 1 pulg. | Medio | 10 a 12 minutos | | |
| Brisket | 7.25 - 3.62 kg / 16 -18 lbs. | Ahumado caliente | Asar hasta que la temperatura interna llegue a 91°C / 195°F | | |

| CORDERO | TAMAÑO | Un cuarto - 54°C / 130°F | Medio - 60°C / 140°F | Bien cocido - 71°C / 160°F |
|----------------------------------|-----------------------------|--------------------------|----------------------|----------------------------|
| Asado (fresco) | 2.26 - 2.72 kg / 5 - 6 lbs. | | 1 a 2 horas | |
| Corona de costillas asada | 1.36-2.26 kg / 3-5 lbs. | | 1 a 1½ horas | 1½ horas |

| MARISCOS | TAMAÑO | Un cuarto - 54°C / 130°F | Medio - 60°C / 140°F | Bien cocido - 82°C / 180°F |
|--------------------------|---|--------------------------|----------------------|--|
| Pescado (entero) | 0.5 kg / 1 lb. 0.9 - 1.1 kg / 2 - 2½ lbs. 1.4 kg / 3 lbs. | | | Asar 10 a 20 minutos Asar 20 a 30 minutos Asar 30 a 45 minutos |
| Pescado (filetes) | 0.6-1.3 cm / ¼ - ½ pulg. | | | Asar 3 a 5 minutos, hasta que se desmenuce con facilidad |
| Cola de langosta | 0.15 kg / 5 oz. 0.3 kg / 10 oz. | | | Asar 5 a 6 minutos Asar 10 a 12 minutos |

| CAZA | TAMAÑO | Un cuarto - 60°C / 140°F | Medio - 71°C / 160°F | Bien cocido - 77°C / 170°F |
|--------------------------------|-----------------------------|--------------------------|----------------------|----------------------------|
| Asado (fresco) | 2.26 - 2.72 kg / 5 - 6 lbs. | | 1 a 1½ horas | 1½ a 2 horas |
| Cortes grandes (fresco) | 3.62-4.53 kg / 8-10 lbs. | | 1 horas | 1½ horas |

CONSEJOS Y TÉCNICAS

Siga estos útiles consejos y técnicas, transmitidos por los dueños de Pit Boss, nuestro personal y nuestros clientes, como usted, para familiarizarse con su asador:

1. SEGURIDAD DE LOS ALIMENTOS

- Mantenga limpio todo lo que haya en la cocina y en el área para cocinar. Use platos y utensilios diferentes para la carne cocida que los que utilizó para preparar o transportar la carne cruda al asador. Esto evitará la contaminación cruzada por bacterias. Cada marinada o salsa para untar debe tener su propio utensilio.
- Mantenga las comidas calientes calientes (a más de 60 °C / 140 °F), y mantenga las comidas frías frías (a menos de 3 °C / 37°F).
- Nunca debe guardar una marinada para usarla en el futuro. Si la va a servir con la carne, asegúrese de hervirla antes de servir.
- Los alimentos cocidos no deben dejarse en un entorno caliente por más de una hora. No deje alimentos calientes fuera del refrigerador por más de dos horas.
- Descongele y marine las carnes en refrigeración. No descongele la carne a temperatura ambiente ni sobre un mostrador. Las bacterias pueden crecer y multiplicarse con rapidez en comidas calientes y húmedas. Lávese las manos cuidadosamente con agua tibia y jabón antes de iniciar la preparación de los alimentos y después de manejar carne fresca, pescado y aves.

2. PREPARACIÓN PARA COCINAR

- Esté preparado o "**Mise en Place**". Esto se refiere a estar preparado con la receta, el combustible, los accesorios, los utensilios y todos los ingredientes que necesita junto al asador antes de empezar a cocinar. Además, lea toda la receta, de principio a fin, antes de encender el asador.
- Un tapete para asador es muy útil. Debido a los accidentes al manejar la comida y las salpicaduras al cocinar, un tapete protege su terraza, patio o piso de piedra del riesgo de manchas de grasa o derrames accidentales.

3. CONSEJOS Y TÉCNICAS PARA COCINAR

- Para infundir más sabor ahumado a sus carnes, cocínelas por más tiempo y a temperaturas más bajas (esto también se conoce como "**bajo y lento**"). La carne cerrará sus fibras cuando alcance una temperatura interna de 49 °C / 120 °F. Aplicar líquidos en aerosol o con un pequeño "trapeador" son excelentes maneras de evitar que la carne se seque.
- Al marcar sus carnes, cocine con la tapa cerrada. Siempre use un termómetro de carne para determinar la temperatura interna de los alimentos que está cocinando. Ahumar la comida con pellets de madera dura le da un tono rosado a la carne y las aves. La banda rosada (después de cocinar), conocida como **anillo de humo**, es muy apreciada por los chefs de asador.
- Es mejor aplicar las salsas con base de azúcar cerca del final de la cocción, para evitar que se quemem o provoquen llamaradas.
- Deje un espacio de separación entre la comida y los extremos del barril para que el calor fluya apropiadamente. Los alimentos en una parrilla muy llena necesitarán más tiempo de cocción.
- Use un juego de tenazas de mango largo para voltear las carnes, y una espátula para voltear hamburguesas y pescados. Si usa un utensilio puntiagudo, como un trinche, perforará la carne y permitirá que se escapen los jugos.
- Las comidas en platos hondos necesitarán más tiempo de cocción que en una charola plana.
- Es una buena idea colocar los alimentos preparados en un hornillo para mantenerlos calientes. Las carnes rojas, como los bistecs y asados, saben mejor cuando reposan varios minutos antes de servirlos. Esto permite que los jugos que el calor sacó a la superficie regresen al centro de la carne, dándole más sabor.

SOLUCIÓN DE PROBLEMAS

La limpieza apropiada, el mantenimiento y el uso de combustible de calidad, limpio y seco, evitarán problemas comunes en la operación. Cuando su asador Pit Boss no funcione bien, o con menos frecuencia, los siguientes consejos para solucionar problemas podrían serle de utilidad.

Para ver las preguntas frecuentes, visite www.pitboss-grills.com. También puede comunicarse con el distribuidor autorizado de Pit Boss en su localidad o llamar a Servicio al cliente para recibir ayuda.

ADVERTENCIA: Siempre desconecte el cable de alimentación eléctrica antes de abrir el asador para realizar cualquier trabajo de inspección, limpieza, mantenimiento o servicio. Asegúrese de que el asador está completamente frío para evitar lesiones.

| PROBLEMA | CAUSA | SOLUCIÓN |
|--|---|--|
| No hay luces de encendido en el tablero de control | El dial de control de temperatura aún está apagado. | Gire el selector de control de temperatura a un ajuste de temperatura. |
| | El asador no está conectado correctamente. | Asegúrese de que el asador está conectado a un tomacorriente funcional. Quite el panel de acceso de la tolva (consulte el diagrama de cableado eléctrico) y asegúrese de que todas las conexiones de cables están bien colocadas. |
| | El fusible de circuito se ha quemado | Quite los dos tornillos del panel delantero de la tolva, arriba y abajo del tablero de control digital. Levántelo ligeramente y jálalo cuidadosamente hacia adelante. Revise el fusible para ver si un cable está roto o negro. En ese caso, será necesario cambiar manualmente el fusible. |
| | El tomacorriente GFCI se ha disparado. | Quite el panel de acceso de la tolva (consulte el diagrama de cableado eléctrico) y asegúrese de que todas las conexiones de cables están bien colocadas y secas. Asegúrese de que el GFCI tiene capacidad para 10 amps por lo menos. |
| | Tablero de control defectuoso | El tablero de control necesita ser reemplazado. Póngase en contacto con el Servicio al cliente para obtener una pieza de repuesto. |
| No se enciende fuego en la cámara de combustión | El barreno no está preparado | Antes de usar la unidad por primera vez, o cada vez que la tolva se vacíe por completo, el barreno debe prepararse para permitir que la cámara de combustión se llene de pellets. Si no se prepara, el encendedor agotará su tiempo de operación antes de que los pellets lleguen a la cámara de combustión. Siga el procedimiento de preparación de la tolva . |
| | El motor del barreno está atascado | Saque los accesorios para cocinar del barril del asador. Coloque el control de temperatura en SMOKE (AHUMAR) e inspeccione visualmente el sistema de alimentación con barreno. Quite los dos tornillos del panel delantero de la tolva, arriba y abajo del tablero de control digital. Levántelo ligeramente y jálalo cuidadosamente hacia adelante. Inspeccione la rotación del motor del barreno de alimentación. Asegúrese de que el soporte del motor del barreno no está dañado. Si no funciona correctamente, llame a Servicio al cliente para pedir una refacción. |
| | Falla del encendedor | Retire los componentes de cocción del barril principal. Presione el botón de encendido para encender la unidad, gire el dial de control de temperatura a HUMO e inspeccione el encendedor. Confirme visualmente que el encendedor está funcionando colocando su mano sobre la olla de fuego y sintiendo el calor. Confirme visualmente que el encendedor sobresale aproximadamente 13 mm / 0.5 pulgadas en la olla de fuego. Si no funciona correctamente, siga el Procedimiento de inicio manual para continuar usando la parrilla; sin embargo, llame al Servicio al Cliente para obtener ayuda o una pieza de repuesto. |
| | Flujo de aire insuficiente a través de la olla de fuego | Revise la cámara de combustión para eliminar residuos de ceniza u obstrucciones. Siga las instrucciones de Cuidado y mantenimiento en caso de cenizas acumuladas. Revise el ventilador. Asegúrese de que funciona correctamente y de que la entrada de aire no está bloqueada. Siga las instrucciones de Cuidado y mantenimiento si está sucio. |
| Hay puntos parpadeando en la pantalla LCD | El encendedor está funcionando | Este no es un error que afecte al asador. Se usa para mostrar que la unidad está en modo de Encendido. El encendedor se apagará después de cinco minutos. Una vez que los puntos parpadeantes se apagan, el asador empezará a funcionar a la temperatura seleccionada. |
| La temperatura está parpadeando en la pantalla LCD | La temperatura del asador es menor a 65°C / 150°F | Este no es un error que afecte al asador; sin embargo, se utiliza para mostrar que existe el riesgo de que el fuego se apague. Revise que la tolva tenga suficiente combustible y que no haya una obstrucción en el sistema de alimentación. Saque los pellets y siga las instrucciones de Cuidado y mantenimiento . Revise el sensor de temperatura del asador. Siga las instrucciones de Cuidado y mantenimiento si está sucio. Revise la cámara de combustión para eliminar residuos de ceniza u obstrucciones. Siga las instrucciones de Cuidado y |

ESPAÑOL

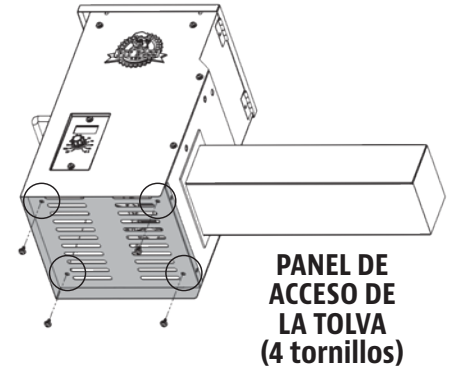
| | | |
|---|--|---|
| | | mantenimiento en caso de cenizas acumuladas. Revise el ventilador. Asegúrese de que funciona correctamente y de que la entrada de aire no está bloqueada. Siga las instrucciones de Cuidado y mantenimiento si está sucio. Revise el motor del barreno para confirmar que está funcionando y asegúrese de que no hay obstrucciones en el tubo del barreno. |
| Mensaje de error "ErH" | El asador se ha sobrecalentado, probablemente debido a un fuego de grasa o exceso de combustible. | Gire el control de temperatura a la posición OFF (APAGADO) y deje que el asador se enfríe. Siga las instrucciones de Cuidado y mantenimiento . Después del mantenimiento, saque los pellets y confirme la posición de todos los componentes. Para despejar el error, gire el control de temperatura a OFF (APAGADO), abra la tapa, espere de 3 a 4 minutos, y luego seleccione la temperatura deseada. |
| Mensaje de error "ErR" | El cable del sensor de temperatura no está conectado. | Quite el panel de acceso de la tolva (consulte el diagrama de cableado eléctrico) y verifique si hay daños. Asegúrese de que las conexiones del cable del sensor están bien colocadas y que se encuentran colocadas correctamente al tablero de control digital. |
| Mensaje de error "ErP" | El control de temperatura no estaba en OFF (APAGADO) la última vez que se conectó a la alimentación eléctrica. | Gire el control de temperatura a la posición OFF (APAGADO), espere dos minutos, y luego vuelva a encender la unidad en SMOKE (AHUMAR) o en la temperatura deseada. La función de seguridad impide un encendido sorpresivo. |
| | Hubo un corte de energía durante la operación. | Gire el control de temperatura a la posición OFF (APAGADO), espere dos minutos, y luego vuelva a encender la unidad en SMOKE (AHUMAR) o en la temperatura deseada. La función de seguridad impide un encendido sorpresivo. |
| La temperatura del asador en SMOKE (AHUMAR) es demasiado alta | El valor "P" es demasiado BAJO | Gire el control de temperatura a SMOKE (Ahumar), oprima el botón "P" SET (Valor "P") y aumente el valor "P". |
| El asador no alcanza o no mantiene una temperatura estable | Flujo insuficiente de aire en la cámara de combustión | Revise la cámara de combustión para eliminar residuos de ceniza u obstrucciones. Siga las instrucciones de Cuidado y mantenimiento en caso de cenizas acumuladas. Revise el ventilador. Asegúrese de que funciona correctamente y de que la entrada de aire no está bloqueada. Siga las instrucciones de Cuidado y mantenimiento si está sucio. Revise el motor del barreno para confirmar que está funcionando y asegúrese de que no hay obstrucciones en el tubo del barreno. Una vez que haya seguido todos los pasos anteriores, encienda el asador, configure la temperatura en SMOKE (AHUMAR) y espere 10 minutos. Verifique que las llamas producidas sean brillantes y vivas. |
| | Combustible insuficiente o deficiente | Revise que la tolva tenga suficiente combustible y que no haya una obstrucción en el sistema de alimentación. Saque los pellets y siga las instrucciones de Cuidado y mantenimiento . |
| | Sensor de temperatura del asador | Revise el sensor del asador. Siga las instrucciones de Cuidado y mantenimiento si está sucio. |
| El asador produce humo excesivo o sin color | Acumulación de grasa | Siga las instrucciones de Cuidado y mantenimiento . |
| | Calidad de los pellets de madera | Elimine los pellets de madera húmedos de la tolva. Siga las instrucciones de Cuidado y mantenimiento para la limpieza. Reemplace con pellets de madera secos. |
| | La cámara de combustión está bloqueada | Saque los pellets de madera húmeda de la cámara de combustión. Siga el procedimiento de preparación de la tolva . |
| | Insuficiente entrada de aire para ventilador | Revise el ventilador. Asegúrese de que funciona correctamente y de que la entrada de aire no está bloqueada. Siga las instrucciones de Cuidado y mantenimiento si está sucio. |
| Llamaradas frecuentes | Temperatura de cocción | Intente cocinar a una temperatura más baja. La grasa tiene un punto de inflamación. Mantenga la temperatura debajo de 176 °C / 350 °F cuando cocine comida muy grasosa. |
| | Acumulación de grasa en los componentes de cocción | Siga las instrucciones de Cuidado y mantenimiento . |

DIAGRAMA DE CABLEADO ELÉCTRICO

El sistema del tablero de control digital es un dispositivo tecnológico intrincado y valioso. Para protegerlo de los picos de voltaje y los cortocircuitos eléctricos, consulte el siguiente diagrama de cableado para asegurarse de que su fuente de alimentación es suficiente para la operación de la unidad.

PB – REQUISITOS DE ALIMENTACIÓN ELÉCTRICA 110-120V, 60HZ, 275W, CONECTOR DE 3 CLAVIJAS CON TIERRA

NOTA: Los componentes eléctricos, que pasaron por pruebas y servicios de certificación de seguridad de productos, cumplen con una tolerancia de prueba de $\pm 5-10$ por ciento.



CONECTORES DE HORQUILLA DEL SENSOR DEL ASADOR

FUSIBLE DE ACCIÓN RÁPIDA 5 AMP

TABLERO DE CONTROL DIGITAL

SENSOR DEL ASADOR

CABLE DE ALIMENTACIÓN CON CONEXIÓN A TIERRA

VW-1, 105°C/221°F, 18-3 STANDARD CSA

CONJUNTO DE ENCEADOR / CALEFACTOR DE CARTUCHO HD

200W, 120V, 2.6 AMP
0.375 X 5.000 PULG

VENTILADOR
120V, 50/60HZ,
0.1 AMP,
MONOFÁSICO

MOTOR DE BARRENO Y SISTEMA DE ALIMENTACIÓN
120V, 50/60HZ, 0.22 AMP,
MOTOR DE 2 RPM

ENCENDEDOR
CÁMARA DE COMBUSTIÓN

ÍNDICE

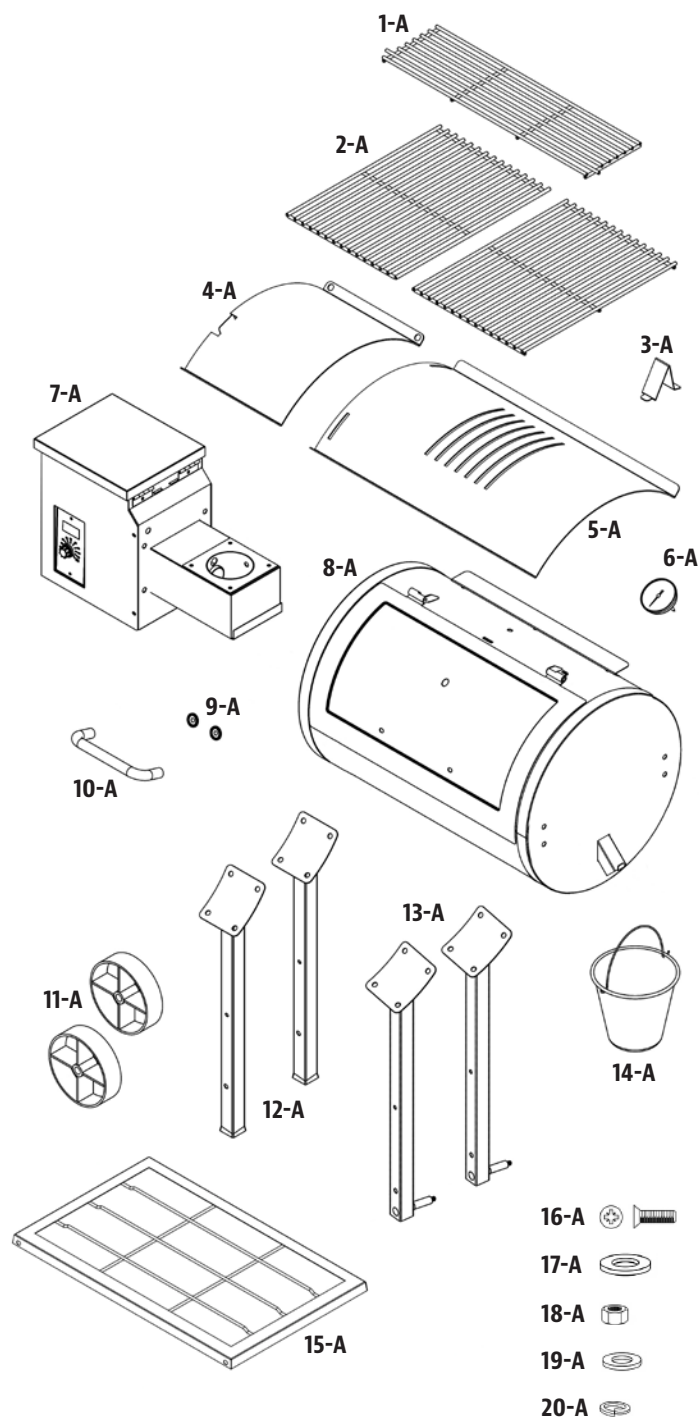
| | |
|--------------|--------------|
| W : BLANCO | K : NEGRO |
| Y : AMARILLO | S : PLATEADO |
| P : PÚRPURA | G : VERDE |
| R : ROJO | |

CAPACIDAD DE ENTRADA DE COMBUSTIBLE: 1.12 KG/H (2.48 LB/H)

REFACCIONES PARA EL ASADOR

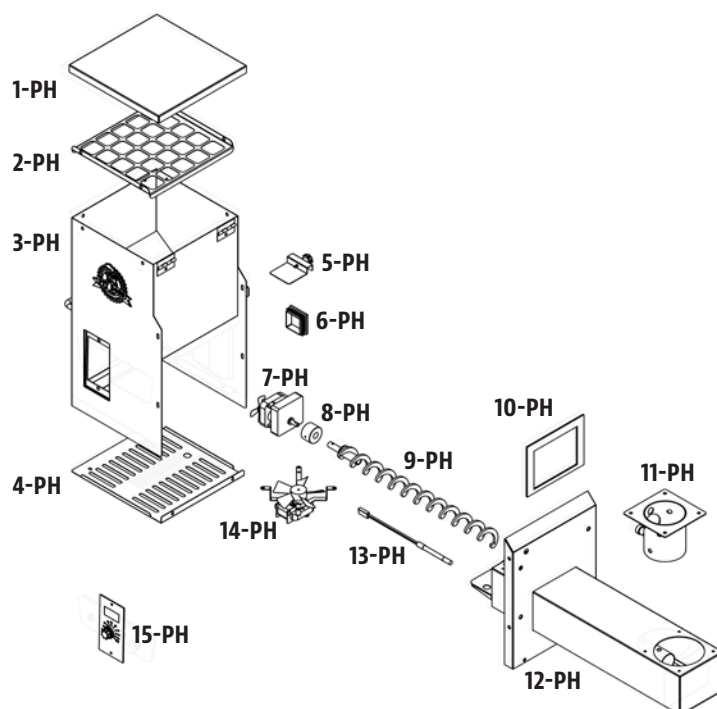
| N° | Descripción |
|------|---|
| 1-A | Parrilla superior de acero recubierto de cerámica |
| 2-A | Parrillas de cocción de hierro fundido recubiertas de cerámica (x2) |
| 3-A | Seguro de la tapa |
| 4-A | Cubierta deslizante de la rejilla de flama |
| 5-A | Placa principal de rejilla de flama |
| 6-A | Termómetro |
| 7-A | Conjunto de tolva |
| 8-A | Barril principal |
| 9-A | Bisele de la manija de la tapa (x2) |
| 10-A | Manija de la tapa |
| 11-A | Ruedas metálicas (x2) |
| 12-A | Pata estacionaria (x2) |
| 13-A | Pata con eje de rueda (x2) |
| 14-A | Cubeta de grasa |
| 15-A | Repisa inferior |
| 16-A | Tornillo (x20) |
| 17-A | Arandela (x2) |
| 18-A | Lock Nut (x2) |
| 19-A | Arandela (x20) |
| 20-A | Arandela de seguridad (x20) |

NOTA: Debido a que los productos están en desarrollo constante, las partes están sujetas a cambios sin previo aviso.



REFACCIONES PARA LA TOLVA

| N° | Descripción |
|-------|-----------------------------------|
| 1-PH | Tapa de la tolva |
| 2-PH | Cubierta de seguridad de la tolva |
| 3-PH | Carcasa de la tolva |
| 4-PH | Panel de acceso de la tolva |
| 5-PH | Placa del conducto de bajada |
| 6-PH | Cubierta del conducto de bajada |
| 7-PH | Motor de barreno |
| 8-PH | Casquillo de nylon |
| 9-PH | Conjunto de espiral del barreno |
| 10-PH | Empaque la carcasa de la tolva |
| 11-PH | Cámara de combustión |
| 12-PH | Carcasa de la caja del barreno |
| 13-PH | Encendedor |
| 14-PH | Ventilador de combustión |
| 15-PH | Tablero de control Pit Boss |



GARANTÍA

CONDICIONES

Todos los asadores de pellets de madera de Pit Boss, fabricados por Dansons, tiene una garantía limitada a partir de la fecha de venta solo para el comprador original. La cobertura de la garantía comienza en la fecha original de compra y es necesario un comprobante de la fecha de la compra o una copia de la factura original de compra para validar la garantía. Los clientes deberán cubrir el costo de las refacciones, manejo y envío si no pueden proporcionar el comprobante de compra o si la garantía ha expirado.

Dansons ofrece una garantía por cinco (5) años contra defectos y mano de obra en todas las partes, y por cinco (5) años en los componentes eléctricos. Dansons garantiza que todas las partes están libres de defectos materiales y de mano de obra, para el período de uso y propiedad del comprador original. La garantía no cubre daños por desgaste normal, tales como rasguños, abolladuras, muescas o fisuras menores superficiales. Estos cambios estéticos en la parrilla no afectan su rendimiento. La reparación o reemplazo de cualquier pieza no extiende el período de garantía limitada más allá de cinco (5) años de la fecha de compra.

Durante el período de la garantía, la obligación de Dansons se limitará solo a suministrar un reemplazo para componentes defectuosos y/o que presenten fallas. Durante el período de garantía, Dansons no cobrará por reparaciones o reemplazos de partes devueltas, con envío prepagado, si considera que las partes son defectuosas luego de haberlas examinado. Dansons no será responsable de costos de transporte, mano de obra o derechos de exportación. Salvo por lo establecido en estas condiciones de la garantía, la reparación o reemplazo de partes, de la manera y durante el período de tiempo aquí mencionados, constituye el cumplimiento de todas las responsabilidades y obligaciones, directas y derivadas, de Dansons hacia usted.

Dansons hace todo lo posible por utilizar materiales que retarden la oxidación. Incluso con estas precauciones, diferentes sustancias y condiciones fuera del control de Dansons pueden afectar los recubrimientos protectores. Las Temperaturas altas, la humedad excesiva, el cloro, los humos industriales, los fertilizantes, los pesticidas de jardín y la sal son algunas de las sustancias que pueden afectar los recubrimientos del metal. Por estas razones, la garantía no cubre corrosión ni oxidación, a menos que exista una pérdida de integridad estructural en el componente del asador. Si ocurre alguna de las condiciones anteriores, consulte la sección de cuidado y mantenimiento para prolongar la vida útil de su unidad. Dansons recomienda el uso de una cubierta para

el asador cuando este no esté en uso.

La garantía se basa en el uso y servicio doméstico normal del asador, y ninguna garantía limitada se aplica a un asador que se utilice en aplicaciones comerciales.

EXCEPCIONES

No existe una garantía escrita o implícita de desempeño en los asadores Pit Boss, ya que el fabricante no tiene control sobre la instalación, la operación, la limpieza, el mantenimiento o el tipo de combustible utilizado. Esta garantía no aplicará, y Dansons no asumirá ninguna responsabilidad, si su aparato no se instaló, operó, limpió o mantuvo en estricto cumplimiento con este manual del propietario. Cualquier uso de gas que no se explique en este manual puede anular la garantía. La garantía no cubre daños ni fallas debidas al mal uso, manejo inapropiado o modificaciones.

Ni Dansons ni el distribuidor autorizado de Pit Boss asumen responsabilidad alguna, jurídica o de otro tipo, por los daños accidentales o consecuentes a los bienes o las personas debido al uso de este producto. Si se realiza una demanda contra Dansons con base en una infracción de esta garantía o de cualquier otro tipo de garantía explícita o implícita por la ley, el fabricante de ninguna manera será responsable de cualquier daño especial, indirecto o consecuente, ni por otros daños de cualquier naturaleza, por encima del precio original de compra de este producto. Todas las garantías del fabricante se especifican en este documento y no se puede realizar ninguna demanda contra el fabricante por cualquier garantía o promesa.

Algunos estados no permiten la exclusión o limitación de daños incidentales o consecuentes, o limitaciones de garantías implícitas, así que las limitaciones o exclusiones especificadas en esta garantía limitada podrían no aplicar para usted. Esta garantía limitada le da derechos jurídicos específicos y usted podría tener otros derechos, los cuales varían de estado a estado.

CÓMO ORDENAR REFACCIONES

Para ordenar refacciones, comuníquese con el distribuidor de Pit Boss de su localidad, o visite nuestra tienda en línea en: www.pitboss-grills.com

CONTACTO CON SERVICIO AL CLIENTE

Si tiene preguntas o problemas, comuníquese con Servicio al Cliente de lunes a domingo, de 4 a.m. a 8 p.m. hora del Pacífico (EN/FR/ES).

service@pitboss-grills.com | Línea sin costo: 1-877-303-3134 | Fax sin costo: 1-877-303-3135

SERVICIO BAJO GARANTÍA

Comuníquese con su distribuidor Pit Boss más cercano para reparaciones o refacciones. Dansons requiere un comprobante de compra para otorgar una reclamación de garantía; por lo tanto, conserve su recibo o factura de venta original para referencia futura. Puede ver el número de serie y modelo de su Pit Boss en el interior de la tapa de la tolva. Escriba los números a continuación, ya que la etiqueta podría desgastarse o quedar ilegible.

MODELO

NÚMERO DE SERIE

FECHA DE COMPRA

DISTRIBUIDOR AUTORIZADO

ACCESORIOS VENDIDOS POR SEPARADO

Disponibles para comprar por separado. Accesorios no disponibles y suministrados por todos los distribuidores autorizados de Pit Boss.

| ARTÍCULO | DESCRIPCIÓN |
|--|---|
|  | CUBIERTA DE ASADOR Cubierta completa, adaptada a la forma. Poliéster de uso pesado con respaldo de PVC para uso a largo plazo. Impermeable. Incluye un cordón sujetador para ajustarlo con facilidad. |
|  | TAPETE PARA ASADOR Fácil de limpiar, con protección UV. Protección para su terraza. 132cm x 86cm / 52 x 34 pulg |
|  | REPISA LATERAL - NEGRA Repisa color negro sólido. Incluye ganchos para implementos y barra para toallas. Se monta a un costado del barril principal. |
|  | REPISA LATERAL - INOXIDABLE Repisa de acero inoxidable. La bandeja removible también sirve como bandeja para asar y servir. Incluye ganchos para implementos. Se monta a un costado del barril principal. |

| ARTÍCULO | DESCRIPCIÓN |
|---|---|
|  | DELANTAL PARA ASAR Delantal ajustable con dos bolsillos al frente para sus herramientas para cocinar. Talla única. Lavable a máquina. |
|  | SALSAS DISTINTIVAS Una colección de salsas gourmet para preparar y mejorar los sabores naturales de sus comidas. |
|  | ESPECIAS DISTINTIVAS Una colección de sazónadores gourmet para preparar y mejorar los sabores naturales de sus comidas. |

RECETAS

BRISKET CLÁSICO

Rinde 4 - 6 porciones

Un brisket completo de res pesa de 7.25 a 8.62 kg / 16 a 19 libras y tiene tres partes distintas: el tope, la punta y la falda. Use la sección de la falda, ya que es magra, compacta y produce buenas rebanadas al cortarla.

Ingredientes:

| | |
|-----------------|--|
| 1 | Brisket de res 2.2-3.6 kg / 5-8 lbs, La capa de grasa debe tener al menos 0.6 cm / ¼ pulg. de grosor |
| 1 envase | mostaza amarilla preparada |
| 75 ml / 5 C. | sazonador |
| 1 botella | salsa de chili |
| 1 paquete | mezcla seca de sopa de cebolla |
| 375 ml / 1½ tz. | caldo de res |
| 40 ml / 8 c. | pimienta negra |

Sabor de pellets de madera sugerido: Nogal / Competencia

Instrucciones:

1. Extienda un trozo grande de plástico para envolver en su lugar de trabajo. De tamaño suficiente para envolver el brisket. Usando un cuchillo afilado, haga un corte en la parte inferior del brisket en contra del grano. Esto ayudará a rebanar el brisket terminado contra el grano, dándole un corte tierno que se deshace en la boca. La parte inferior es la que no tiene capa de grasa. Cubra con una cantidad generosa de mostaza preparada. Frótelas ligeramente sobre toda el área. Esparza una cantidad generosa de sazónador sobre la mostaza, y vuelva a frotarla con suavidad en la carne. Voltee el brisket y repita el proceso. Envuelva el brisket preparado en el plástico y refrigere de 2 a 4 horas o toda la noche.
2. Prepare la mezcla para untar. Mezcle la salsa de chili, la mezcla seca de sopa de cebolla, el caldo de res y la pimienta negra. Déjelos reposar.
3. **Pre caliente el asador, y luego reduzca a SMOKE (Ahumar) o a temperatura baja.**

- Coloque el brisket, con el lado de la grasa hacia arriba, en el centro del asador. Cierre la tapa del asador. Cocine lentamente hasta que esté tierno, de 10 a 12 horas.
- Unte el brisket con la mezcla para untar al menos cada media hora durante las primeras 3 horas.
- Continúe el proceso de cocción lenta hasta que la temperatura interna alcance 60-66 °C / 140-150 °F. Saque el brisket del asador. **Suba la temperatura del asador a 176 °C / 350 °F.**
- Coloque el brisket en un envoltorio hecho de dos capas de papel aluminio. Vierta 50 ml / ¼ de taza de mezcla para untar sobre el brisket, dentro del envoltorio. Cierre el envoltorio.
- Coloque el envoltorio cuidadosamente en el asador. Ahúme de 1 a 1 ½ horas.
- Abra el envoltorio y use un termómetro de carne, la temperatura interna debe llegar a 91 °C / 195 °F. El brisket debe estar firme, pero debe poder desmenuzarse la carne con sus dedos.
- Transfiera la carne a una tabla de cortar y déjela reposar por 10 minutos. Corte rebanadas delgadas contra el grano para servirlo.

SALCHICHA CON CHUTNEY DE MANGO

Rinde 4 - 6 porciones

Ingredientes:

| | |
|----------------|--------------------------------------|
| 2 | mangos (picados) |
| 0.9 kg / 2 lbs | salchicha italiana (picante o suave) |
| 10 ml / 2 c. | perejil fresco (molido) |
| 15 ml / 1 C. | pimiento rojo (en cubos) |
| 10 ml / 2 c. | miel |
| ½ | cebolla roja (en cubos) |
| ½ bulbo | hinojo (en cubos) |
| 5 ml / 1 c. | Jugo de lima |
| Pizca | sal |

Suggested Wood Pellet Flavor: Hickory / Competition

Instrucciones:

- Precalente el asador, y luego reduzca a BAJO-MEDIO (27-107 °C / 180- 225 °F)**
- Coloque las salchichas en el asador, con una separación regular. Voltéelas cada diez minutos para asar todos los lados.
- Combine los demás ingredientes para preparar el chutney. Enfríe hasta que esté listo para servir.
- Deslice las salchichas asadas en diagonal, y sirva acompañadas de chutney.

BISTEC CON QUESO AZUL

Makes 4 Servings

Ingredientes:

| | |
|---------------|--|
| 4 | Bistecs, T-bone o Rib-Eye 2.54cm / 1 pulg. de grosor 0.28-0.62 kg / 10-12 onzas cada uno |
| 113 g / 4 oz. | queso azul (desmenuzado) |
| 50 ml / ¼ tz. | Cebolla verde (en rebanadas delgadas) |

Sabor de pellets de madera sugerido: Nogal / Competencia / Whiskey

Instrucciones:

- Precalente el asador, y luego déjelo o redúzcalo ligeramente (204-260 °C / 400-500 °F).**
- Quite el exceso de grasa de la carne y deséchelo.
- Coloque los bistecs en la parrilla. Marque los dos lados, volteándolos cada pocos minutos.
- Reduzca la temperatura a 135 °C/275 °F o a 163 °C/ 325 °F.** Voltee los bistecs por última vez. Mezcle el queso azul y las cebollas. Espolvoree sobre los bistecs, cierre la tapa del asador y áselos hasta el término deseado. Revise el grado de cocción haciendo un corte en la carne cerca del hueso.

Variación: MÉTODO DE SELLADO INVERSO

Configure el asador a modo de AHUMADO, y coloque los bistecs en la parrilla. Ahúme a 82°C / 180°F de 5 a 15 minutos. Una vez ahumados al término deseado, vuelva a elevar la temperatura del asador a ALTA y marque los bistecs a su gusto.

COSTILLAS BBQ

Rinde 4 - 6 porciones

Ingredientes:

| | |
|----------------------|---|
| 1.3-1.8 kg / 3-4 lbs | Costillas <small>Costillas de cerdo cargadas o costillas de lomo</small> |
| 45 ml / 3 C. | aceite |
| 5 ml / 1 c. | sal |
| 5 ml / 1 c. | pimienta |
| 2 enteras | cebollas (picadas) |
| 30 ml / 2 C. | vinagre |
| 30 ml / 2 C. | salsa Worcestershire |
| 125 ml / ½ tz. | Jugo o refresco de manzana |
| 5 ml / 1 c. | paprika |
| 5 ml / 1 c. | chile en polvo |

Sabor de pellets de madera sugerido: Nogal / Competencia / Manzano

Instrucciones:

- Precalente el asador, y luego reduzca a SMOKE (Ahumar) o a temperatura baja (82-107 °C / 180-225 °F).**
- Prepare las costillas quitando la capa de piel dura en la parte trasera. Sazone las costillas con sal y pimienta al gusto.
- Coloque las costillas en el asador, con una separación regular. Ahúme de 3 a 4 horas.
- Mezcle los demás ingredientes en una charola y póngalos a hervir. Deje hervir la salsa cinco minutos hasta que se espese.
- Sáquela del asador. **Suba la temperatura del asador a 176 °C / 350 °F.**
- Coloque cada costillar en un envoltorio hecho de dos capas de papel aluminio. Vierta 50 ml / ¼ de taza de salsa sobre las costillas, dentro del envoltorio. Cierre el envoltorio.

- Coloque el envoltorio cuidadosamente en el asador. Ahúme de 1 a 1 ½ horas.
- Abra el envoltorio. La carne habrá expuesto los extremos de las costillas y estará muy tierna. **Ponga el asador en ALTO (260 °C / 500 °F).** Vuelva a colocar las costillas en la parrilla y úntelas con la salsa por ambos lados.
- Cuando la salsa esté caramelizada y las costillas estén pegajosas, sáquelas del asador y sírvalas.

Variación: MÉTODO "MEMPHIS DRY"

Ponga el asador en ALTO (260 °C / 500 °F). Vuelva a colocar las costillas en la parrilla y sazónelas con un sazoador o aliño seco. Marque las costillas, sáquelas del asador y sírvalas.

HAMBURGUESAS JUGOSAS DE MAMÁ

Rinde 4 - 6 porciones

Ingredientes:

| | |
|-----------------|--|
| 900 g / 2 lbs | Carne molida de res o búfalo |
| 15 ml / 3 c. | sazonador |
| 2 enteros | huevos, a temperatura ambiente |
| 500 ml / 2 tz. | migajas de pan (secas, finas) |
| 6 - 8 | panes para hamburguesa / panecillos Kaiser |
| 6 - 8 rebanadas | queso (en rebanadas delgadas) |
| 30 ml / 2 C. | mantequilla |

Sabor de pellets de madera sugerido: Nogal / Competencia

Instrucciones:

- Pre caliente el asador, y luego déjelo o redúzcalo ligeramente (204-260 °C / 400-500 °F).**
- Combine la carne, el sazoador, los huevos y las migajas de pan en un tazón para mezclar y revuelva bien. Divida la carne en porciones y forme hamburguesas de tamaño y forma similares a los panes. Haga hamburguesas de alrededor de 1.9 cm / ¾ pulg. de grosor.
- Coloque las hamburguesas en el asador. Ase seis minutos por cada lado, cuidando de no presionar la carne. Pruebe si están bien cocidas con un termómetro para carne; la temperatura interna debe alcanzar 71°C / 160°F. La carne puede ponerse rosada por fuera debido al humo.
- En los últimos minutos de cocción, aplique mantequilla con un pincel a los panes y tuéstelos ligeramente en la parrilla.
- Saque los panes y las hamburguesas cuando estén listas. Complemente las hamburguesas con queso derretido y sirva.

CONSEJO: Una carne ligeramente más grasosa resulta en una hamburguesa más jugosa. Como una alternativa magra, pruebe la carne molida de búfalo.

BISTEC DE SIRLOIN CON CEBOLLAS DULCES Y PIMIENTOS

Rinde 4 porciones

Ingredientes:

| | |
|--------------|--|
| 2 | Bistecs, Top Sirloin 1 pulg. de grosor, cortados en 4 piezas 0.45kg/1 lb |
| 10 ml / 2 c. | sazonador o aliño |
| 5 medianas | cebollas dulces (picadas grueso) |
| 2 enteros | pimientos (de cualquier tipo, picados) |
| 60 ml / 4 C. | salsa de soya |
| 60 ml / 4 C. | aceite de oliva |
| Pizca | sal |

Sabor de pellets de madera sugerido: Nogal / Mezquite / Whisky

Instrucciones:

- Pre caliente el asador, y luego reduzca la temperatura ligeramente a 218°C / 425°F.**
- Sazone ambos lados de los bistecs con el sazoador o aliño. Cubra y refrigere al menos 1 hora.
- Coloque las cebollas y los pimientos en una bandeja cubierta de papel aluminio. Mezcle la salsa de soya y el aceite de oliva, y rocíe la mezcla sobre la bandeja. Espolvoree con sal. Selle por completo el paquete de papel aluminio.
- Coloque el paquete en el asador durante 10 a 15 minutos o hasta que las verduras estén suaves y tiernas. Saque el paquete del asador y manténgalo cerrado.
- Coloque los bistecs en la parrilla. Marque los dos lados, volteándolos cada pocos minutos.
- Áselos hasta el término deseado, y luego sáquelos del asador. Coloque en platos para servir y cúbralos con las verduras calientes.

GALLINAS DE CORNUALLES CON ARROZ MANDARÍN

Rinde 4 porciones

Ingredientes:

| | |
|----------------|------------------------|
| 4 enteras | gallinas de Cornualles |
| 750 ml / 3 tz. | arroz mandarín |
| 15 ml / 1 C. | aceite de oliva |
| 5 ml / 1 c. | paprika ahumada |
| 250 ml / 1 tz. | mermelada de naranja |

Arroz mandarín

| | |
|----------------|--|
| 59 ml / ¼ tz. | almendras (en rebanadas) |
| 30 ml / 2 C. | apio (picado) |
| 1 pequeña | cebolla verde (en rebanadas finas) |
| 30 ml / 2 C. | mantequilla |
| 1 lata | gajos de mandarina (drenada) 0.4 kg/11oz. |
| 30 ml / 2 C. | jugo de naranja (concentrado) |
| 500 ml / 2 tz. | arroz cocido |

Sabor de pellets de madera sugerido: Nogal / Mesquite / Competencia

Instrucciones:

1. Prepare el arroz mandarín cociendo las almendras, el apio, la cebolla verde y la mantequilla en una sartén pequeña hasta que las almendras estén ligeramente tostadas. Combine la mezcla con los gajos de naranja, el jugo de naranja y el arroz cocido en un tazón, y déjela reposar.
2. **Pre caliente el asador, y luego reduzca a temperatura MEDIA (135-177 °C / 275-350 °F).**
3. Enjuague las gallinas de Cornualles y séquelas con toallas de papel. Rellene las gallinas con la mezcla de arroz y ate las patas con cordel. Aplique una capa ligera de aceite de oliva con brocha a las gallinas y espolvoréelas con paprika.
4. Coloque las gallinas en el asador. Áselas de 45 a 60 minutos, hasta que la carne de la pierna esté tierna al presionarla.
5. Unte las gallinas con mermelada de naranja durante los últimos 20 minutos del tiempo de cocción. Saque las gallinas del asador y acomódelas en un plato para servir

CONSEJO: Si desea juntar los jugos para hacer gravy, coloque las gallinas en una bandeja de papel aluminio y añada suficiente agua o jugo para cubrir el fondo hasta unos 0.6 cm / ¼ pulg.

KEBABS DE CAMARÓN CON MANTEQUILLA DE CURRY

Rinde 4 porciones

Ingredientes:

900g / 2 lbs camarones (pelados, sin venas)
125ml / ½ tz. mantequilla de curry
15 ml / 1 C. aceite de oliva
1 lima
eneldo fresco

Mantequilla de curry

125 ml / ½ tz. mantequilla
30 ml / 2 C. Cebolla (picada)
15 ml / 1 C. eneldo fresco
5 ml / 1 c. curry en polvo
Pizca ajo en polvo

Sabor de pellets de madera sugerido: Mesquite / Competencia

Instrucciones:

1. Remoje brochetas de madera en agua por 1 hora.
2. **Pre caliente el asador, y luego reduzca a 135-163°C / 275-325°F.**
3. Prepare la mantequilla de curry derritiendo mantequilla en una sartén pequeña a calor medio-alto. Incorpore la cebolla, el eneldo, el curry en polvo y el ajo en polvo. Deje cocer por cinco minutos y quite la sartén del calor.
4. Ensarte los camarones en brochetas, dejando espacio entre las piezas. Aplique una capa ligera de aceite de oliva con brocha.
5. Coloque las brochetas en el asador, y áselas hasta que los camarones estén blancos y tiernos. Cosa los camarones rápidamente; tenga cuidado de no cocer demasiado. Voltee las

brochetas de camarón una vez y aplique la mantequilla de curry con brocha a la mitad del tiempo de cocción.

6. Acomode los camarones asados en un plato para servir. Acompañe con rodajas de lima y eneldo.

CONSEJO: Para ensartar un camarón de modo que quede derecho, sosténgalo estirado con una mano. Empiece por el extremo de la cola e inserte una brocheta de bambú o madera dentro del camarón de modo que atraviese toda su longitud. Siga enderezando el camarón con los dedos conforme avance.

CAMARÓN EN BROCHETA CON TOCINO Y ALBAHACA

Rinde 4 - 6 porciones

Ingredientes:

24 grandes camarones (pelados, sin venas)
24 enteras hojas de albahaca fresca
24 rebanadas tocino (en rebanadas delgadas)

Sabor de pellets de madera sugerido: Cerezo / Manzano

Instrucciones:

1. Remoje brochetas de madera en agua por 1 hora.
2. **Pre caliente el asador, y luego reduzca a 135-163°C / 275-325°F.**
3. Envuelva un camarón y una hoja de albahaca en una rebanada delgada de tocino, y luego ensártelo en la brocheta, dejando espacio entre los camarones.
4. Coloque las brochetas en el asador, y áselas hasta que los camarones estén blancos y tiernos y el tocino esté dorado. Cosa los camarones rápidamente; tenga cuidado de no cocer demasiado. Voltee las brochetas con frecuencia para que no se quemen.
5. Saque del calor y sirva

PAVO AHUMADO ENTERO

Rinde para un pequeño ejército - ¡las sobras están excelentes!

Ingredientes:

1 entero pavo (descongelado)
9-11.3 kg / 20-25 lbs
60 ml / 4 C. sazónador
5 ml / 1 c. paprika ahumada
45 ml / 3 C. mantequilla

Sabor de pellets de madera sugerido: Nogal / Cerezo / Competencia

Instrucciones:

1. **Pre caliente el asador, y luego reduzca la temperatura a 135-177 °C / 275-350 °.**
2. Saque el pescuezo y los menudos del pavo. Enjuague el pavo abundantemente y seque la parte exterior dando golpecitos con toallas de papel.

- En un tazón pequeño mezcle la mantequilla, ¼ parte del sazónador y la paprika para formar una pasta. Inserte cuidadosamente su mano entre la piel exterior y la carne de la pechuga. Unte la pasta en la carne.
- Unte el sazónador restante en la superficie exterior del pavo.
- Coloque el pavo, con la pechuga hacia arriba, en el centro de la parrilla y áselo hasta que esté tierno y dorado; la temperatura interna debe llegar a 82 °C / 180 °F en la parte más gruesa del muslo y a 77 °C / 170 °F en la pechuga.
- Saque el pavo, cúbralo con papel aluminio y déjelo reposar por 10 minutos antes de cortarlo.

CONSEJO: Si quiere usar los jugos para hacer un gravy, coloque el pavo en la parrilla dentro de una bandeja de papel aluminio grande. Añada 0.6 cm / ¼ pulg. de agua o caldo y algo de sazónador en el fondo de la bandeja. Vigile los jugos, ya que quizá necesite añadir más durante la cocción.

POLLO DE LATA DE CERVEZA

Rinde 2 - 6 porciones

Ingredientes:

1 entero pollo
1.8-2.7 kg / 4-6 lbs
1 lata cerveza, de cualquier tipo
45 ml / 3 C. sazónador

Sabor de pellets de madera sugerido: Nogal / Manzano / Competencia

Instrucciones:

- Pre caliente el asador, y luego reduzca la temperatura a 135-177 °C / 275-350 °F.**
- Abra la lata y vierta la mitad de la cerveza en un vaso para beberla. Deje la mitad en la lata, y haga algunos agujeros adicionales en la parte superior de la lata para aumentar la ventilación. Añada ¼ del sazónador a la lata.
- Enjuague el pollo abundantemente y seque la parte exterior dando golpecitos con toallas de papel. Añada 1/4 del aliño dentro de la cavidad del pollo. Unte el sazónador restante en la superficie exterior del pollo.
- Inserte la lata vertical dentro de la cavidad del pollo, colóquelo en la parrilla y cierre la tapa del asador. Áselo hasta que el pollo esté dorado y crujiente; la temperatura interna debe llegar a 74 °C / 165 °F.
- Con unas tenazas saque cuidadosamente el pollo y la lata vertical del asador. Deje reposar por cinco minutos, y luego saque cuidadosamente la lata de la cavidad del pollo. Tenga cuidado de no derramar el líquido, ya que estará caliente.
- Corte el pollo y sírvalo.

Variación: POLLO DE LATA DE CERVEZA NO ALCOHÓLICA

Use las mismas instrucciones anteriores, pero sustituya la lata de cerveza con una lata de su refresco no dietético favorito, jugo de fruta o agua con sazónador adicional.

POLLO SATAY FÁCIL

Rinde 2 - 6 porciones

Ingredientes:

450g / 1 lb Pechugas o muslos de pollo (sin huesos ni piel)
112 ml / ½ tz. Aderezo preparado ranch o italiano para ensalada
Pizca sal
Pizca pimienta

Sabor de pellets de madera sugerido: Manzano / Cerezo

Instrucciones:

- Corte el pollo a lo largo en piezas de 0.63 cm / 1/4 pulg. de grosor o ligeramente más grandes. Enjuague el pollo y séquelo dando golpecitos con toallas de papel.
- Coloque las piezas de pollo en una bolsa de plástico con cierre. Añada aderezo de ensalada, sal y pimienta al gusto. Selle la bolsa y agítela con cuidado, cubriendo el pollo de manera uniforme. Coloque en el refrigerador de 1 a 2 horas, o toda la noche. Agite la bolsa una o dos veces para que el pollo se marine uniformemente.
- Remoje brochetas de madera en agua por 1 hora antes de usarlas.
- Pre caliente el asador, y luego reduzca la temperatura ligeramente a 218°C / 425°F.**
- Saque el pollo de la bolsa de plástico y tréncelo hacia adentro y afuera en las brochetas, como un moño.
- Coloque las brochetas en el asador, y áselas hasta que el pollo esté blanco y firme. Voltee las brochetas con frecuencia para que no se quemen.
- Saque del calor y sirva.

IMPORTANT

DO NOT RETURN PRODUCT TO STORE

For all questions, comments, or inquiries, please contact Dansons directly. Our Customer Service department is available Monday through Sunday, 4am - 8pm PST (EN/FR/ES).

TOLL FREE: 1-877-303-3134 | TOLL FREE FAX: 1-877-303-3135

service@pitboss-grills.com

IMPORTANT

NE RETOURNEZ PAS LE PRODUIT AU MAGASIN

Pour toute questions, commentaires ou demandes de renseignements, veuillez communiquer avec Dansons directement. Le service à la clientèle est ouvert du lundi au dimanche, de 4 h à 20 h HP (ANG / FR / ES).

NUMÉRO SANS FRAIS : 1-877-303-3134 | TÉLÉCOPIEUR SANS FRAIS : 1-877-303-3135

service@pitboss-grills.com


¡IMPORTANTE!


NO DEVUELVA EL PRODUCTO A LA TIENDA


Para el preguntas, comentarios o consultas, por favor contactar Dansons directamente. Nuestro departamento de servicio al cliente está disponible lunes a viernes de 4:00 a.m. a 8:00 p.m. tiempo del Pacífico.

LLAMADA GRATUITA: 1-877-303-3134 | FAX GRATUITO: 1-877-303-3135

service@pitboss-grills.com

 **WARNING:** this product can expose you to chemicals including wood dust and formaldehyde, which is known to the state of california to cause cancer. Combustion of this product can expose you to chemicals including carbon monoxide, which is known to the state of california to cause birth defects or other reproductive harm. For more information go to WWW.P65WARNINGS.CA.GOV

 **Avertissement :** ce produit peut vous exposer à des produits chimiques incluant la poussière de bois et le formaldéhyde, connue par l'état de californie pour causer le cancer. La combustion de ce produit peut vous exposer à des produits chimiques incluant le monoxyde de carbone, connu par l'état de la californie comme causant des anomalies congénitales ou autres effets nocifs sur la reproduction. Pour accéder à d'autres informations, rendez-vous à WWW.P65WARNINGS.CA.GOV

 **Advertencia:** este producto este producto puede exponerlo a productos químicos incluyendo polvo de madera y el formaldehído, que el estado de california sabe que provocan cáncer. La combustión del este producto puede exponerlo a productos químicos incluyendo al monóxido de carbono, que el estado de california sabe que causa defectos congénitos y otros daños reproductivos. Para obtener más información, visite WWW.P65WARNINGS.CA.GOV



780191021UMV

PITBOSS-GRILLS.COM

MADE IN CHINA | FABRIQUÉ EN CHINE | HECHO EN CHINA

