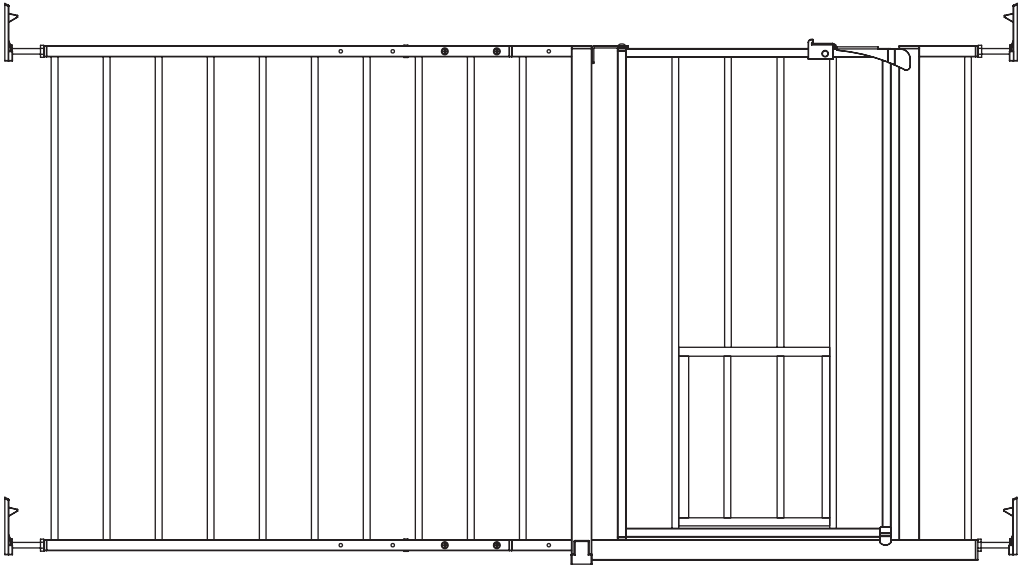


# MAXI WALK-THROUGH GATE

## WITH SMALL PET DOOR



- READ ALL INSTRUCTIONS BEFORE ASSEMBLY AND USE OF GATE.
- KEEP INSTRUCTIONS FOR FUTURE USE.

 [www.carlsonpetproducts.com](http://www.carlsonpetproducts.com)

 Carlson Pet Products, Inc.  
3200 Corporate Center Drive, Suite 105 | Burnsville, MN 55306, USA

 952.435.1084

Made in China



# Before Using Product

---

Read and follow all instructions carefully to ensure that your gate is properly installed. Improper installation could result in the gate becoming unstable or dislodged from the doorway. Please keep these instructions for your reference.

## IMPORTANT

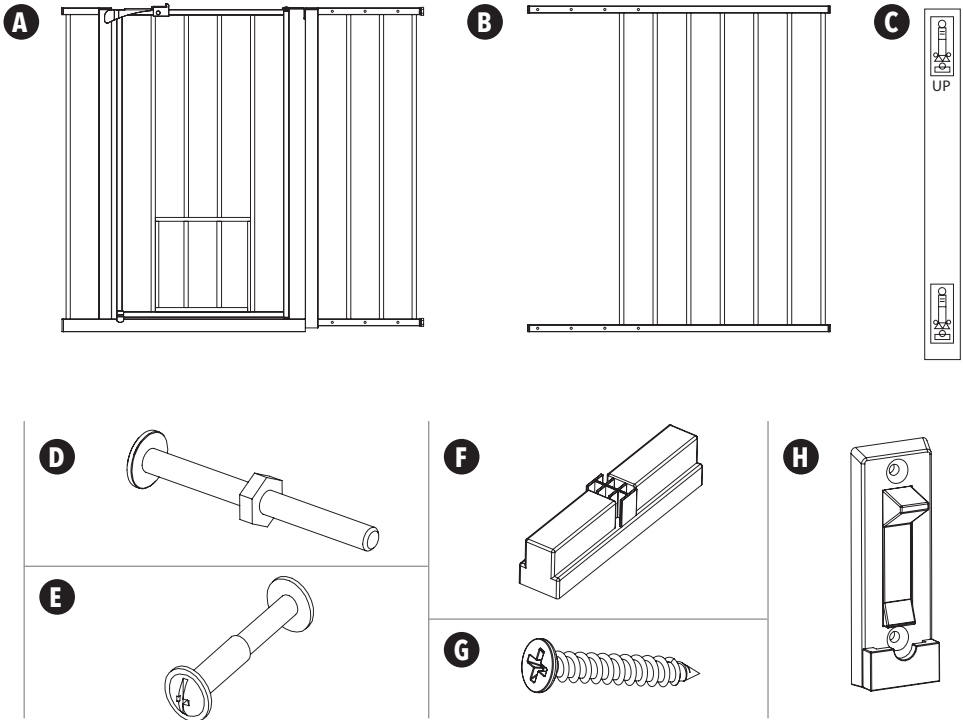
- The four mounting brackets must be used in securing the gate to the wall. These brackets prevent the gate from dislodging from its opening and becoming unstable.
- If hardware mounting to a surface other than drywall or wood, please consult with a professional about installation.



## WARNING

- To prevent serious injury or death, securely install gate or enclosure and use according to manufacturer's instructions.
- Check the gate regularly to see if all the hardware and mountings are tightened.
- This is a Pet Gate. NOT intended for use with children.
- This is a Pet Gate, but when used with children the small pet door must remain closed and securely latched.
- Strangulation hazard: pets can force themselves into very small openings; use this gate with pets whose heads will not fit into openings in the gate, between the gate and floor, or between the gate and wall.
- Never use with pet able to climb over or dislodge/open the gate or enclosure.
- Never leave pet unattended.
- Use only with the locking/latching mechanism securely engaged.
- This gate is designed to fit openings 34.5" to 38" and 50" to 59". This gate will not fit openings between 39" and 49".

# Before Assembly



## PLEASE CHECK TO MAKE SURE YOU HAVE THE FOLLOWING PARTS:

- A** *Maxi Gate Main Panel* (1)
- B** *Maxi Gate Extension Panel* (1)
- C** *Paper Wall Mounting Template* (1)
- D** *Maxi Threaded Rods* (4)
- E** *Double-Ended Screws* (4) (requires a Phillips/cross-head screwdriver)
- F** *Stabilizing Foot* (1)
- G** *1" Screws* (8) (requires a Phillips/cross-head screwdriver)
- H** *Maxi Mounting Brackets* (4)

# Assembling and Installing Your Gate

## STEP 1

Determine the width of your doorway or opening.

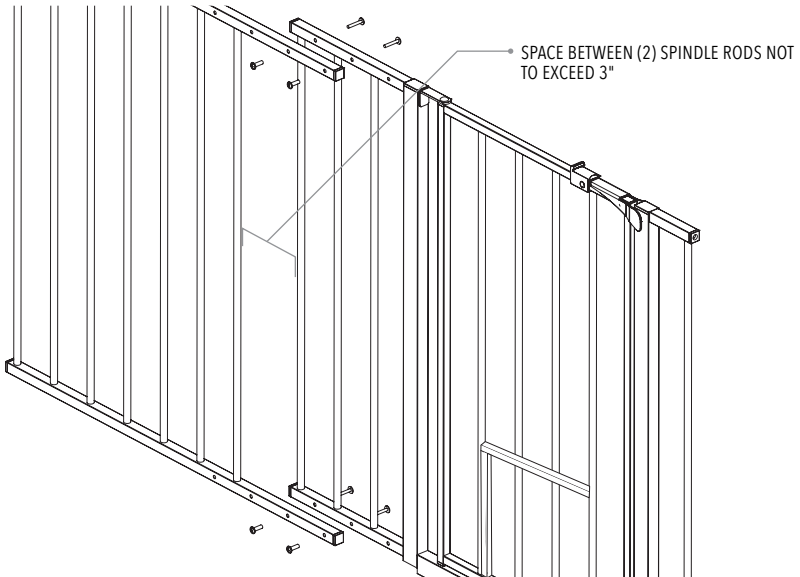
**Openings between 34.5" and 38"**  
skip to STEP 3

**Openings between 50" and 59"**  
proceed to STEP 2

**NOTE:** Will not fit openings between 39" and 49". Additional extensions are available for purchase. Please visit our website or call our customer care line.

## STEP 2

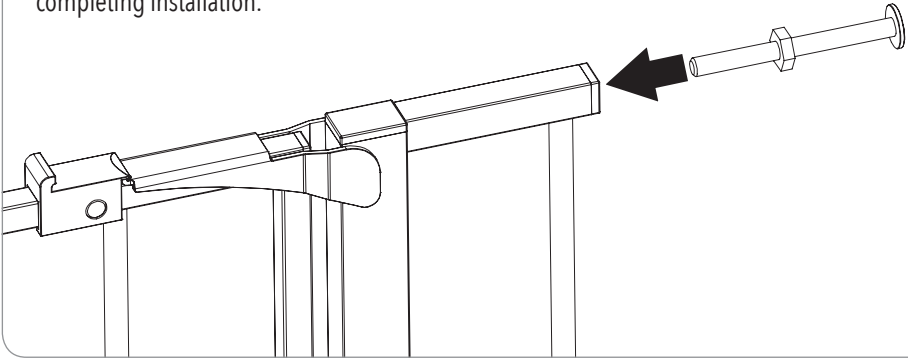
Use the (4) *double-ended screws* to fasten the *extension panel* to the *main gate panel* so that the new gate configuration fits within your doorway or opening with 1" - 5" of extra space.



**NOTE:** You must use two sets of *double-ended screws* on top, and two sets of *double-ended screws* on the bottom.

### STEP 3

Insert the (4) *threaded rods* into the four corners of the assembled gate. The *threaded rods* do not need to be fully screwed in, final adjustments will be made before completing installation.

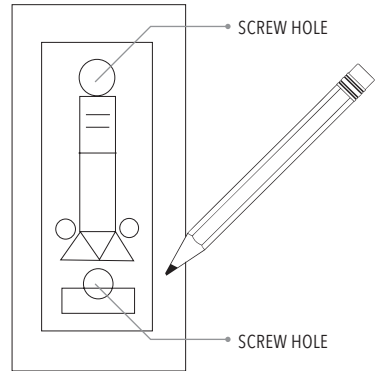


### STEP 4

Use the *paper wall mounting template* to help you mark the exact locations to attach the *maxi mounting brackets*.

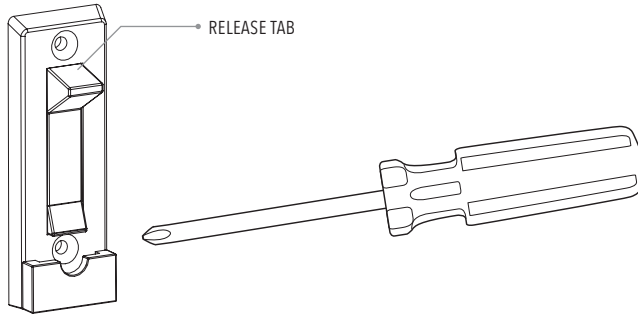
To use the *paper wall mounting template*, place it against the wall with the bottom edge of the template touching the floor. You may choose to use a level or measuring device to ensure exact placement.

Mark the location of the screw holes of the *maxi mounting brackets* through the template and onto the wall. Repeat the process on the opposite side of the opening or doorway.



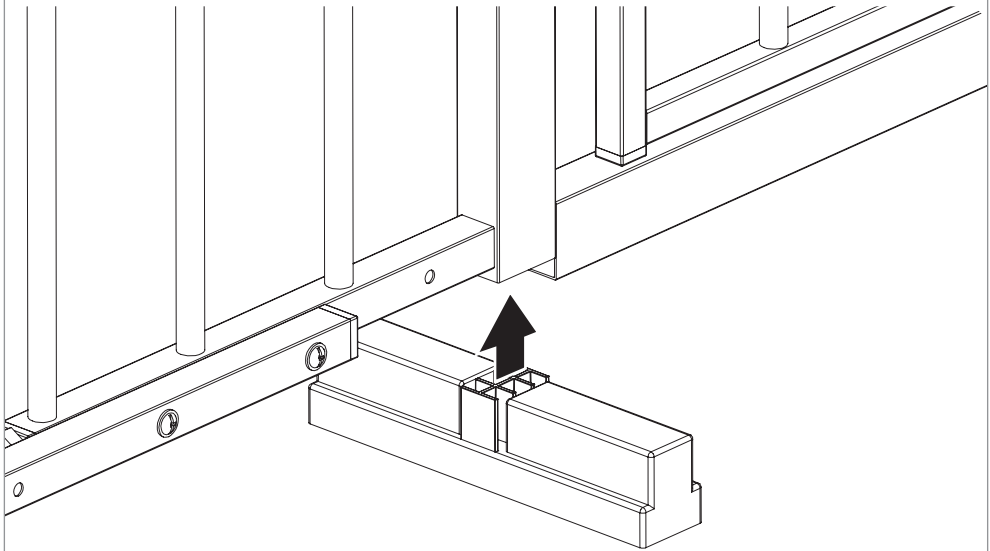
## STEP 5

Use the (8) 1" screws to attach the *maxi mounting brackets* to the wall at the marked locations.



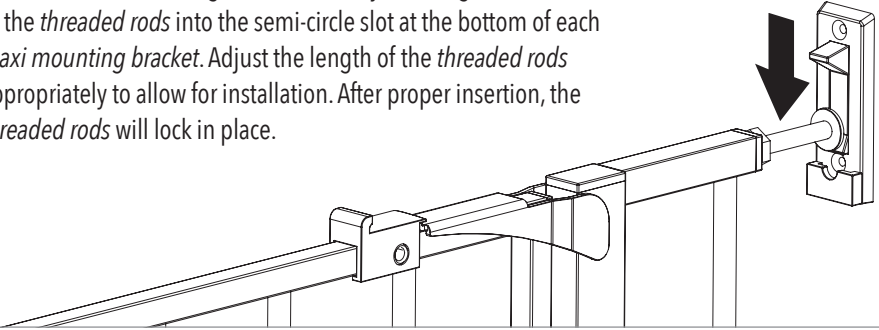
## STEP 6

Before attaching your gate to the wall, attach the plastic *stabilizing foot* to the bottom of the gate by inserting the male connection area of the *stabilizing foot* into the female connection area of the *gate frame*.



## STEP 7

Connect the assembled gate to the wall by inserting the flat ends of the *threaded rods* into the semi-circle slot at the bottom of each *maxi mounting bracket*. Adjust the length of the *threaded rods* appropriately to allow for installation. After proper insertion, the *threaded rods* will lock in place.

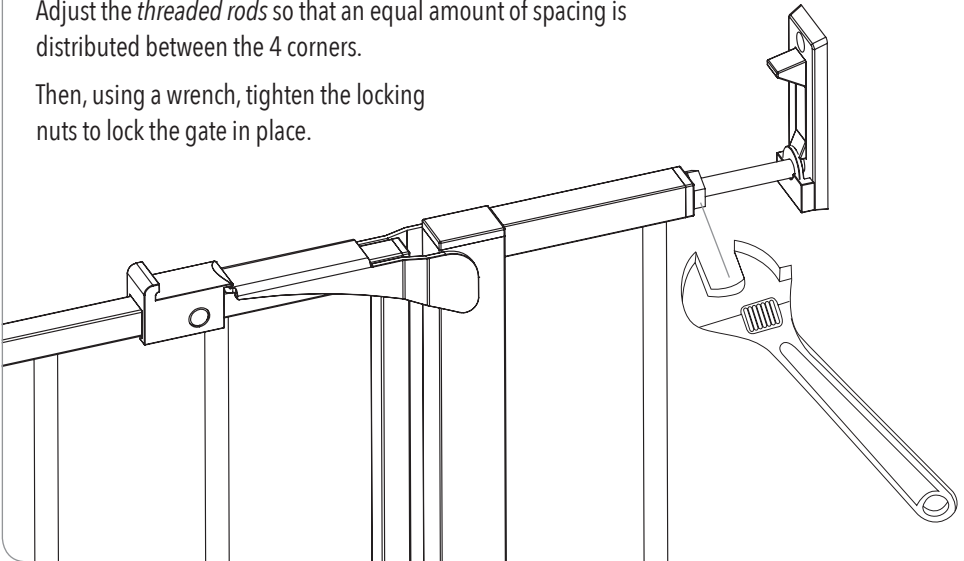


**NOTE:** Install one side of the gate completely before attempting to install the second side.

## STEP 8

Adjust the *threaded rods* so that an equal amount of spacing is distributed between the 4 corners.

Then, using a wrench, tighten the locking nuts to lock the gate in place.



**NOTE:** The maximum length of the exposed threaded rods should not exceed 2.5 inches.



## **REMOVING YOUR GATE FROM THE WALL**

To release the gate from the wall, simply press down on the *release tabs* on each of the *maxi mounting brackets* while lifting the *threaded rods* upwards and out of their locked position.

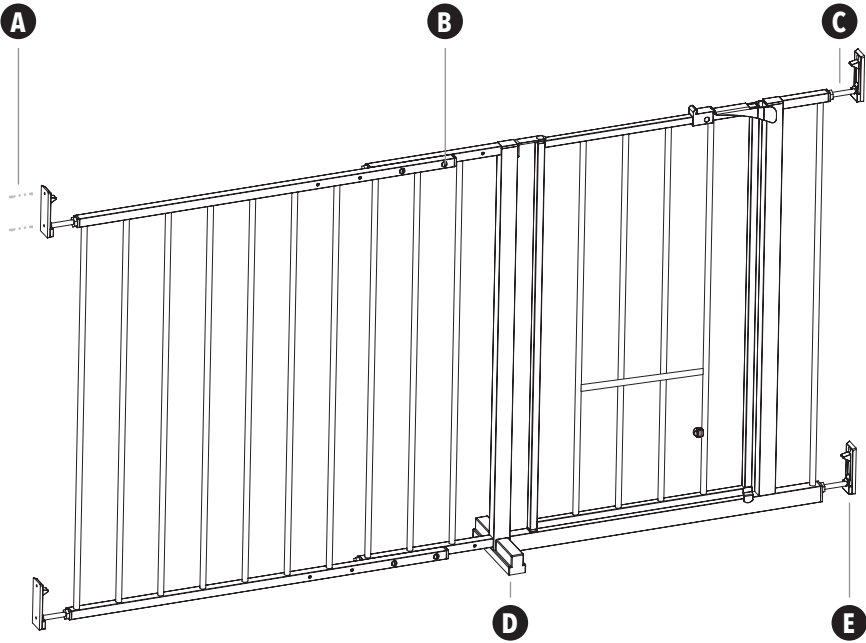
## **CARE AND MAINTENANCE**

Periodically check the gate for signs of damage, wear, or missing components. Do not use if any part is missing, worn or damaged. Check the gate regularly to ensure all the hardware and mountings are tightened. Do not use abrasive cleaners or bleach. Clean by sponging with warm water and a mild detergent.

## **90 DAYS LIMITED WARRANTY**

If, during the first 90 days after consumer purchase of the item, under reasonable and non-commercial use and conditions of maintenance, it fails while owned by the original purchaser because of the quality of materials or workmanship of finish and assembly, Carlson Pet Products, Inc. will replace or repair it at Carlson's option. PROOF OF PURCHASE REQUIRED.

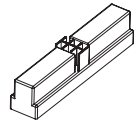
# Replacement Parts



**A** **1" Wall Mount Screws**  
#10001



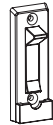
**D** **Stabilizing Foot**  
White = #13049



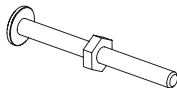
**B** **Double-Ended Screw**  
#10046



**E** **Maxi Mounting Bracket**  
White = #13047



**C** **Maxi Threaded Rods**  
#10048



**F** **Pet Door Pull Lock**  
White = #13038







**[www.carlsonpetproducts.com](http://www.carlsonpetproducts.com)**



Carlson Pet Products, Inc.  
3200 Corporate Center Drive, Suite 105  
Burnsville, MN 55306, USA



952.435.1084