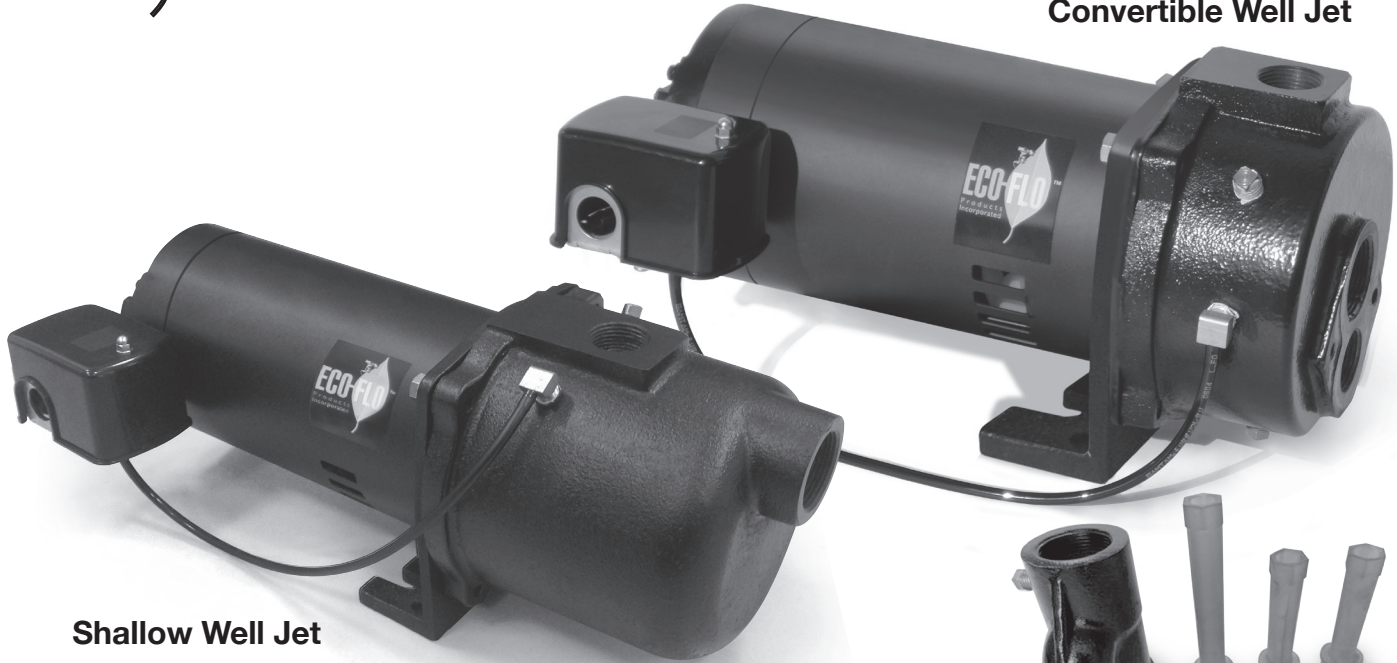




# Owner's Manual Jet Pumps

Convertible Well Jet



Shallow Well Jet



Ejector Kit

## TABLE OF CONTENTS

General Safety . . . . .	2
Installation . . . . .	3-7
Pipe and Tank Connections . . . . .	8
Electrical . . . . .	9
Operation . . . . .	10
Troubleshooting . . . . .	11
Repair Parts . . . . .	12-13
Ejector Kit . . . . .	14
Warranty . . . . .	15



# Before you start

**⚠ Fill Pump with water to prime:** Ensure pump body is filled with water to discharge.

**Motor's Electrical Settings:** Set motor to proper voltage,

**Help Line:** Call 1-877-326-3561 for assistance

## GENERAL SAFETY

### Important Safety Instructions

*Carefully read and follow all safety instructions in this manual and on pump.*

SAVE THESE INSTRUCTIONS – This manual contains important instructions that should be followed during installation, operation, and maintenance of the product. Save this manual for future reference.

### Safety Labels

**⚠** This is the safety alert symbol. When you see this symbol on your pump or in this manual, look for one of the following signal words and be alert to the potential for personal injury!

**⚠ DANGER** Indicates a hazard which, if not avoided, will result in death or serious injury.

**⚠ WARNING** Indicates a hazard which, if not avoided, could result in death or serious injury.

**⚠ CAUTION** Indicates a hazard which, if not avoided, could result in minor or moderate injury.

**NOTICE** indicates practices not related to personal injury.

Keep safety labels in good condition. Replace missing or damaged safety labels.

**⚠ WARNING**  
**HAZARDOUS PRESSURE** Under certain conditions, submersible pumps can develop extremely high pressure. Install a pressure relief valve capable of passing entire pump flow at 100 PSI (690 kPa).

**⚠ WARNING** Do not allow pump, pressure tank, piping or any other system component containing water to freeze. Freezing may damage system, leading to injury or flooding. Allowing pump or system components to freeze will void warranty.

**⚠ DANGER**  
**HAZARDOUS VOLTAGE** Can shock, burn or cause death. To avoid dangerous or fatal electric shock hazard, use pump only in a water well.

Do not install this pump in a pond, river or other open body of water that could be used for swimming or recreation. Do not swim, wade or play in a body of water in which a submersible pump has been installed.

**⚠ WARNING** Install ground and wire pump according to local and Canadian Electrical Code or National Electrical Code requirements that apply.

**⚠ DANGER** Disconnect electrical power supply before installing or servicing pump.

**⚠ WARNING** Make sure line voltage matches pump voltage and frequency.

Install pump according to all plumbing, pump and well code requirements.

Test well water for purity before using well. Call your local health department for testing procedure.

During installation, keep well covered to prevent leaves and foreign material from falling into the well. Foreign objects in well can contaminate water and cause serious mechanical damage to pump.

Pipe joint compound can cause cracking in plastics. Use only teflon tape when sealing joints in plastic pipe or connecting pipe to thermoplastic pumps.

For parts or assistance, call ECO-FLO Customer Service at 1-877 326-3561

## REPLACING AN OLD PUMP

**WARNING** Disconnect power to pump before working on pump or motor.

1. Drain and remove the old pump. Check the old pipe for scale, lime, rust, etc., and replace it if necessary.
2. Install the pump in the system. Make sure that all pipe joints in the suction pipe are air-tight as well as water

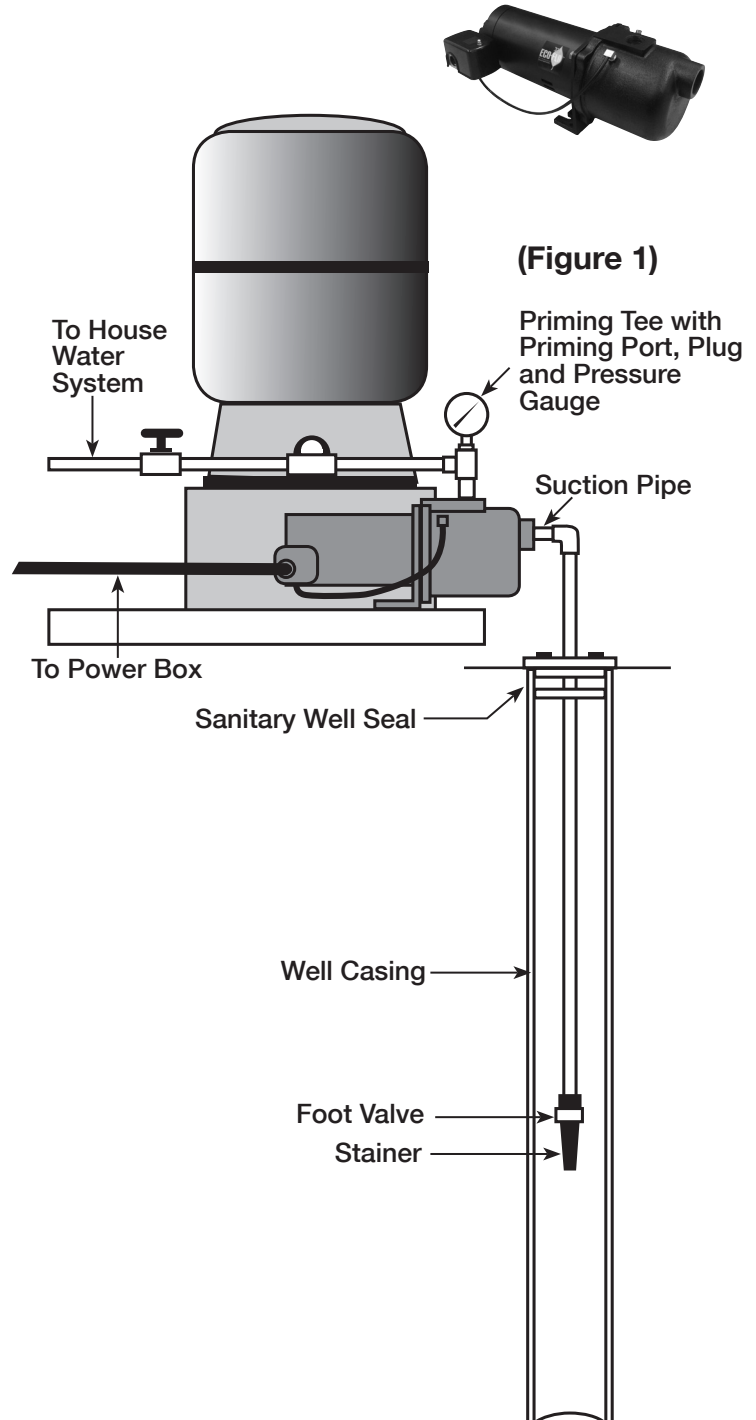
tight. If the suction pipe can suck air, the pump will not be able to pull water from the well.

3. Adjust the pump mounting height so that the plumbing connections do not put a strain on the pump body. Support the pipe so that the pump body does not take the weight of piping or fittings.

## SHALLOW WELL PUMP INSTALLATIONS

### Cased Well Installation (Figure 1)

1. Mount the pump as close to the well as possible.
2. Assemble the foot valve, strainer, and well pipe. Make sure that the foot valve works freely.
3. Lower the pipe into the well until the strainer is five feet above the bottom of the well. It should also be at least 10 feet below the well's water level.
4. Install a sanitary well seal.
5. Install a priming tee, priming plug, and pressure gauge to pump's discharge port. Connect the pipe from the well to the pump's suction port, using the fewest possible fittings-especially elbows – to reduce friction in the pipe. The suction pipe should be at least as large as the suction port on the pump. Support the pipe so that there are no dips or sags in the pipe, so not to strain the pump body, and so that it slopes slightly upward from the well to the pump (Note: Not doing so can create air locks preventing the pump from working properly). Seal the suction pipe joints with PTFE pipe thread sealant tape or a PTFE-based pipe joint compound. Joints must be air-and-water-tight. If the suction pipe can suck air, the pump cannot pull water from well.
6. See instructions on page 8 for connecting discharge pipe to tank.

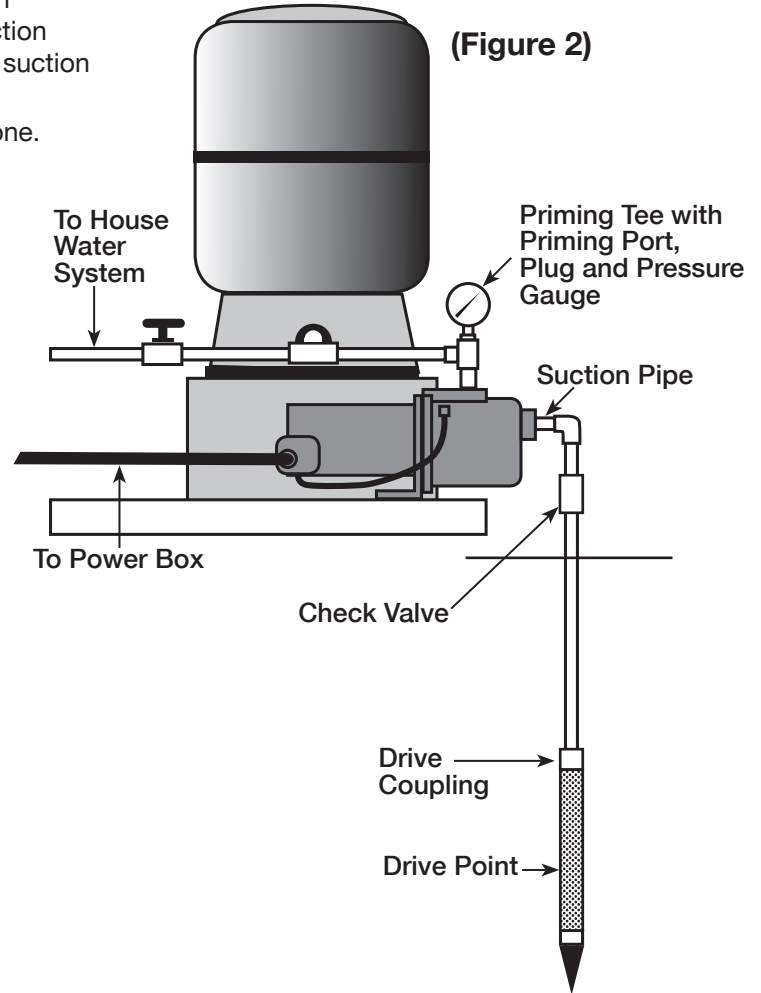


For parts or assistance, call ECO-FLO Customer Service at 1-877 326-3561

# SHALLOW WELL PUMP INSTALLATIONS

## Driven Point Installation (Figure 2)

1. Drive the well point, using “drive couplings” and a “drivecap”. “Drive fittings” are threaded all the way through and allow the pipe ends to butt against each other so that the driving force of the maul is carried by the pipe and not by the threads. The ordinary fittings found in hardware stores are not threaded all the way through the fitting and can collapse under impact. “Drive fittings” are also smoother than standard plumbing fittings, making ground penetration easier.
2. Mount the pump as close to the well as possible.
3. Use the fewest possible fittings (especially elbows) when connecting the pipe from the well point to the pump suction port. The suction pipe should be at least as large as the suction port on the pump.
4. Install a check valve if your pump is not equipped with one.
5. Install a priming tee, priming plug, and pressure gauge to pump’s discharge port. Connect the pipe from the well to the pump’s suction port, using the fewest possible fittings-especially elbows – to reduce friction in the pipe. The suction pipe should be at least as large as the suction port on the pump. Support the pipe so that there are no dips or sags in the pipe, so not to strain the pump body, and so that it slopes slightly upward from the well to the pump (Note: Not doing so can create air locks preventing the pump from working properly). Seal the suction pipe joints with PTFE pipe thread sealant tape or a PTFE-based pipe joint compound. Joints must be air-and-water-tight. If the suction pipe can suck air, the pump cannot pull water from well.
6. If one well point does not supply enough water, consider connecting two or three well points to one suction pipe.
7. See instructions on page 8 for connecting discharge pipe to tank.

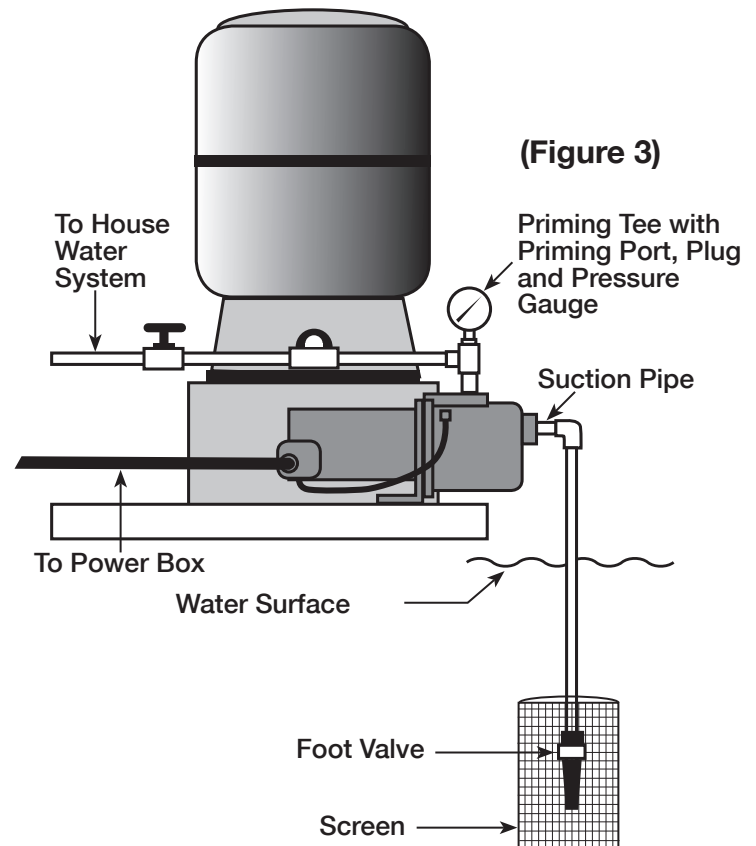


# SHALLOW WELL PUMP INSTALLATIONS

## Surface Water Installation (Figure 3)

**CAUTION** Possible contamination. Do not use surface water for drinking. The installation shown could be used for sprinkler applications.

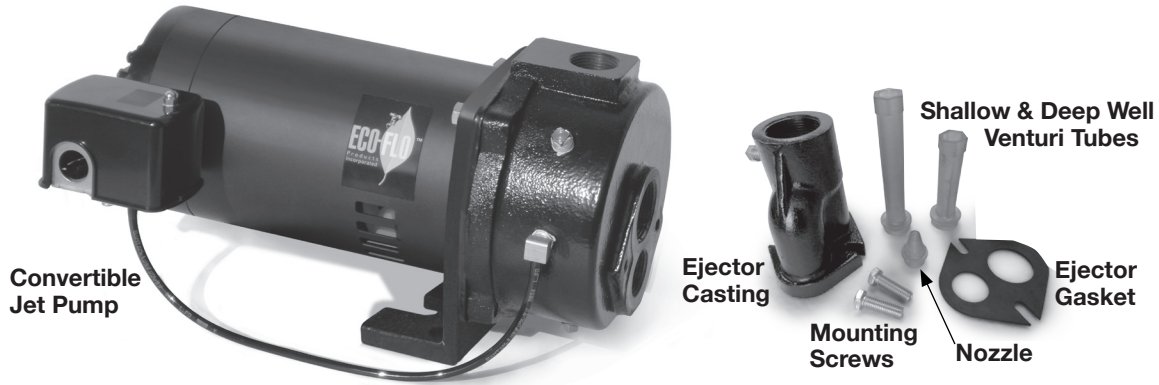
1. The pump should be installed as close to the water as possible, with the fewest possible fittings (especially elbows) in the suction pipe. The suction pipe should be at least as large as the suction port on the pump.
2. Assemble a foot valve and strainer to the suction pipe. Make sure that the foot valve works freely. Use PTFE pipe thread sealant tape or a PTFE-based pipe joint compound on threaded pipe joints.
3. Install a screen to protect the water system from letting debris enter the system.
4. Lower the pipe into the water until the strainer is five feet above the bottom. It should also be at least 10 feet below the water level in order to prevent the pump from sucking air.
5. Install a priming tee, priming plug, and pressure gauge to pump's discharge port. Connect the pipe from the well to the pump's suction port, using the fewest possible fittings—especially elbows – to reduce friction in the pipe. The suction pipe should be at least as large as the suction port on the pump. Support the pipe so that there are no dips or sags in the pipe, so not to strain the pump body, and so that it slopes slightly upward from the well to the pump (Note: Not doing so can create air locks preventing the pump from working properly). Seal the suction pipe joints with PTFE pipe thread sealant tape or a PTFE-based pipe joint compound. Joints must be air-and-water-tight. If the suction pipe can suck air, the pump cannot pull water from well.
6. Joints must be air-and water-tight. If the suction pipe can suck air, the pump cannot pull water from the water source.
7. See instructions on page 8 for connecting discharge pipe to tank.



(Figure 3)



# CONVERTIBLE WELL PUMP INSTALLATIONS



A Convertible Jet Pump can be used either in shallow well applications, (0-25') or in deep well applications, (26' to 75'). Both measurements are from the intake port of the pump to the water source. The pump can be converted shallow to deep or deep to shallow.

When properly installed your jet pump should provide the following performance:

## SHALLOW WELL FOR 4" DIAMETER WELL APPLICATION- PUMP PERFORMANCE\*

MODEL	HP	MOTOR VOLTAGE	PRESSURE SWITCH SETTINGS	DISTANCE PUMP ABOVE WATER					PRESSURE SHUT-OFF AT MAX. DEPTH
				5'	10'	15'	20'	25'	
				GALLONS PER MINUTE PUMPED					
EFCWJ5-A	1/2	115/230	30-50	6.4	5.4	5.2	4.5	4	57 PSI
EFCWJ7-A	3/4	115/230	30-50	10.1	9.1	8.3	7.5	7.0	56 PSI
EFCWJ10-A	1	115/230	30-50	14.8	12.0	10.8	9	8.7	60 PSI

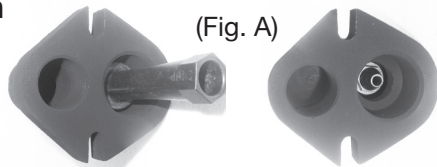
\* Performance shown in GPM (gallons per minute) at 40 PSI (pounds per square inch) discharge pressure.

## DEEP WELL FOR 4" DIAMETER WELL APPLICATION- PUMP PERFORMANCE\*

MODEL	HP	MOTOR VOLTAGE	PRESSURE SWITCH SETTINGS	DISTANCE PUMP ABOVE WATER						PRESSURE SHUT-OFF AT MAX. DEPTH
				20'	30'	40'	50'	60'	70'	
				GALLONS PER MINUTE PUMPED						
EFCWJ5-A	1/2	115/230	30-50	4.5	3.5	2.8	2.3	1.7	-	54 PSI
EFCWJ7-A	3/4	115/230	30-50	7.5	6.5	5.1	4.0	3.0	2.5	56 PSI
EFCWJ10-A	1	115/230	30-50	9.0	8.4	7.3	6.2	5.0	4.4	56 PSI

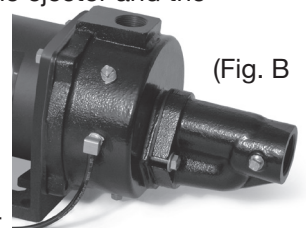
\* Performance shown in GPM (gallons per minute) at 40 PSI (pounds per square inch) discharge pressure.

## Preparing the Convertible Jet Pump for Shallow Well Application



1. Note the nozzle is used in both shallow well and deep well applications and is installed in the ejector casting at the factory (Fig. A).
2. Use the large end of one of the venturi tubes as a wrench to ensure the nozzle is tight in the ejector housing. The nozzle should be finger tight and one quarter of a turn more using a wrench, a pair of pliers or the venturi tube.
3. Select the venturi tube marked with the horsepower of your pump motor, i.e. 1/2HP or 3/4HP etc, or marked with "SW" denoting for shallow well applications.

4. Install the venturi tube in the ejector housing. (Fig. A)
5. Tighten the venturi tube in the casting finger tight and one quarter additional turn with wrench or pair of pliers.
6. Mount the ejector on to the convertible well pump placing the gasket between the ejector and the jet pump's body (Fig. B).
7. Secure the ejector to the pump body with the screws provided with the ejector kit.
8. Ensure the screws are tight.
9. You have now completed assembling the convertible jet pump for shallow well applications.
10. Install the pump and the balance of the pump accessories, i.e. tees, gauges, etc by following instructions associated with figures 1, 2, and 3.

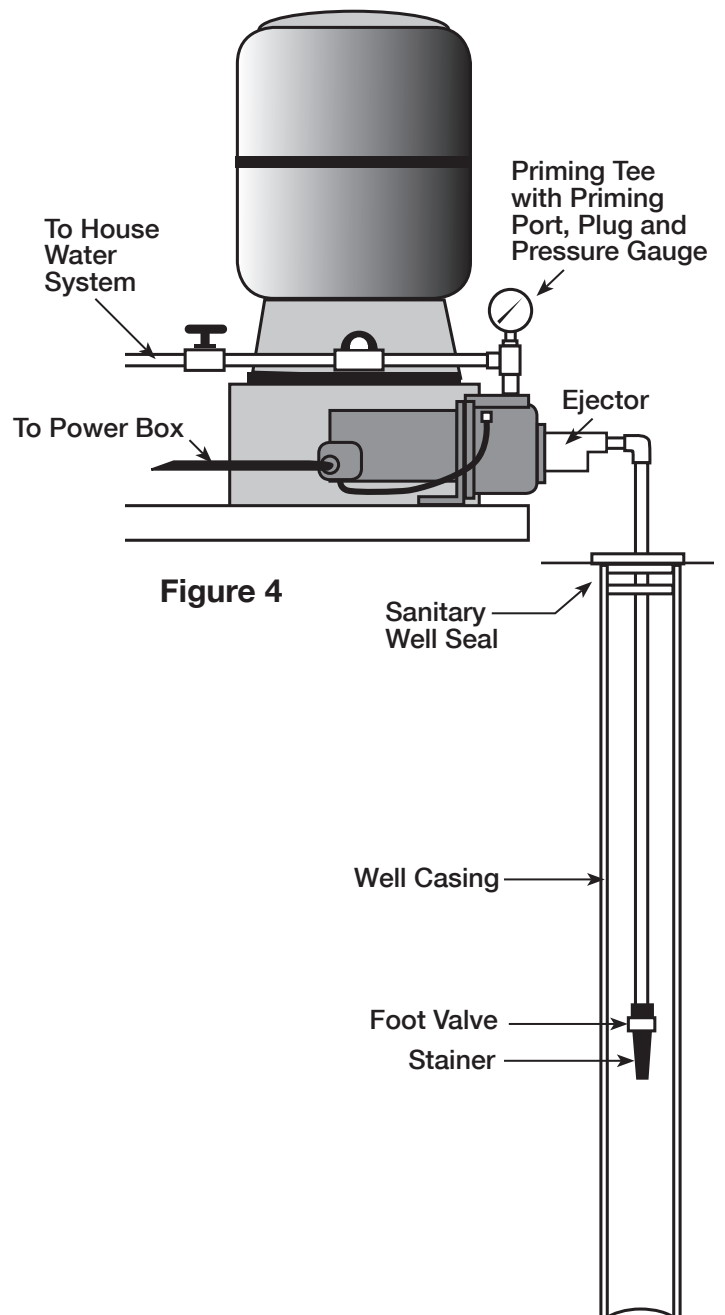


For parts or assistance, call ECO-FLO Customer Service at 1-877 326-3561

## CONVERTIBLE WELL PUMP INSTALLATIONS

### Preparing the Convertible Jet Pump for Deep Well Application, i.e. 26-75', 4" diameter wells. (Figure 4)

1. Install the pressure regulator control valve along with pressure gauge, and other fittings (see fig. 4). Mount on pump's discharge port.
2. Prepare the ejector.
3. Note the nozzle is installed at the factory in the ejector body (see fig A, page 6).
4. Select and install the venturi tube marked with a DW. DW denotes deep well. Install as described above. (see fig.A, page 6)
5. Install a short pipe and foot valve to the intake end of the ejector to ensure the pipes do not lose water and remain primed when the jet pump's motor is off.
6. Using the proper pipe for each port in the ejector, install pipe on the ejector (Figure 4) and begin lowering it into the water source to the depth you have determined will optimize your pump's water performance.
7. Note the pipes will be two different sizes to optimize the jet pump's performance. One pipe will be 1" and the other will be 1-1/4" in diameter.
8. Attach the opposite ends of the pipes to the intake ports of the jet pump (see Figure4).
9. Install a sanitary well seal and connect the ejector piping to the pump. Use steel nipples through the well seal with flexible poly pipe to avoid crushing the plastic pipe when tightening the seal.
10. Support the pipe so that there are no dips or sags in the pipe, so it doesn't strain the pump body, and so that it slopes slightly upward from the well to the pump (high spots can cause air pockets which can air lock the pump). Seal the suction pipe joints with PTFE pipe thread sealant tape or a PTFE-based pipe joint compound. Joints must be air and water-tight. If the suction pipe can suck air, the pump cannot pull water from the well.
11. You are now ready to prime the pump per instructions on page 10.
12. See instructions on page 8 for connecting discharge pipe to tank.

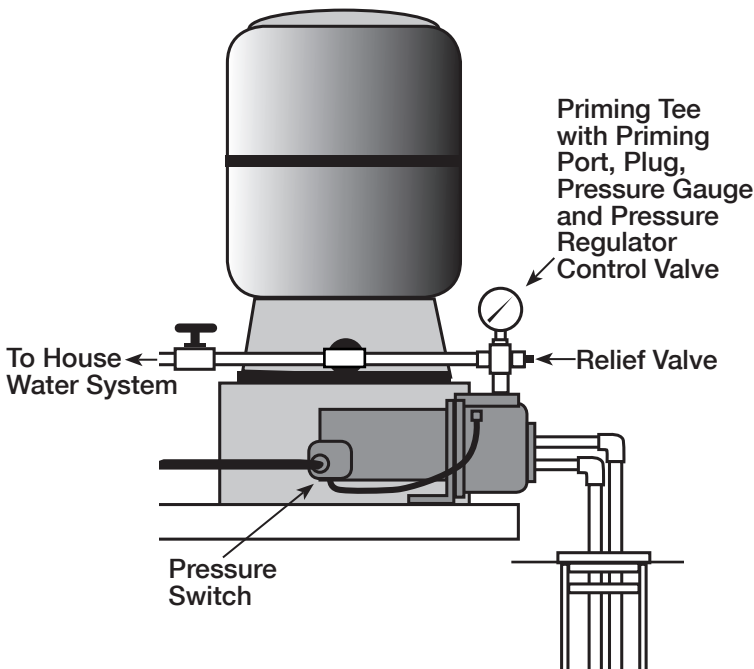


## DISCHARGE PIPE AND PRESSURE TANK CONNECTIONS

### Connecting Pump Discharge to Pre-Charged Tank Connections (Figure 5)

1. Install two tees in the pump discharge port. The pipe size must be at least as large as the discharge port.
2. Run a pipe from one arm of the tee in the pump's discharge port to the end of the tee installed in the pre-charged tank.
3. Connect the other end of the tank tee to your plumbing system.
4. Cap the remaining openings in the tees with a threaded plug or a pressure gauge.
5. Check the air pressure in the tank using an ordinary tire gauge.
6. The air pressure should be 2 PSI less than the cut in setting of the pump's pressure switch.
7. The pre-charge tank's pressure is measured when there is no water in the tank.
8. For example, if your pump has a 30/50 PSI pressure switch, your pump will turn on when the pressure in the line drops to 30 PSI (cut in pressure) and will turn off when the pressure in the line increases to 50 PSI (cut out pressure). The air pressure in the tank should be set at 28 PSI, (30-2)
9. Fill pump body with water.
10. Go to Electrical section.

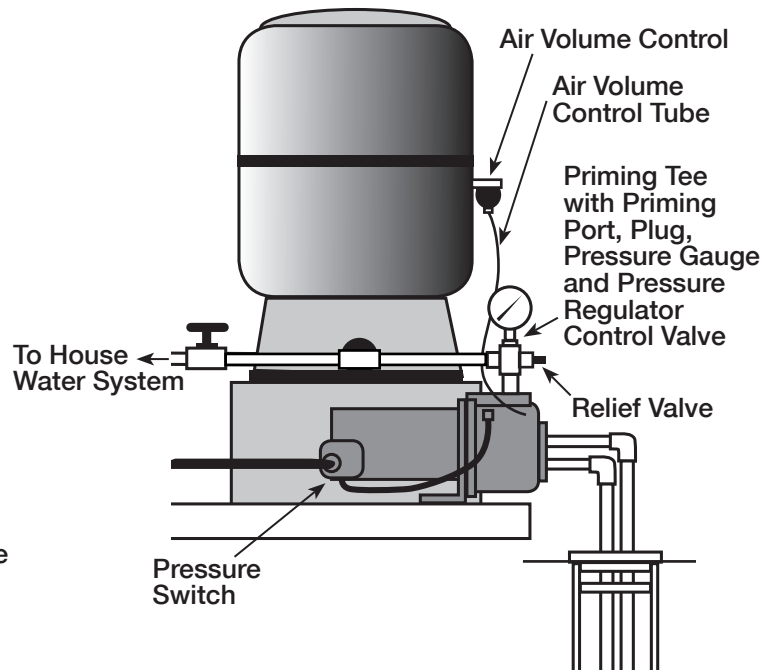
### (Figure 5) Precharged Tank Connections Priming tee with priming port, plugs, pressure gauge and pressure regulator control



### Connecting Pump Discharge to Standard Tank (Figure 6)

1. Install two tees in the pump discharge port.
2. Run a pipe from one arm of the tee installed in the pump's discharge port to the end of the tee installed in the tank.
3. Connect the other end of the tank tee to your plumbing.
4. Install in another opening of the pump tees a reducer bushing down to 1/8" NPT in the tee. Run tubing from the tee to the port on the Air Volume Control (AVC) mounted on the tank.
5. Cap the remaining openings with a threaded plug or pressure gauge.
6. Seal all joints with PTFE pipe thread sealant tape or a PTFE-based pipe joint compound. See instructions provided with the tank and the AVC for details.
7. Pour water in the pump.
8. Go to Electrical section.

### (Figure 6) Standard Tank Connections



### Sealing Pipe Joints

Use only PTFE pipe thread sealant tape or PTFE-based joint compounds for making all threaded connections to the pump itself. Do not use pipe joint compounds on plastic pumps: they can react with the plastic in pump components. Make sure that all pipe joints in the suction pipe are air tight as well as water tight. If the suction pipe can suck air, the pump will not be able to pull water from the well.

For parts or assistance, call ECO-FLO Customer Service at 1-877 326-3561



# ELECTRICAL

**⚠ WARNING** Disconnect power before working on pump, motor, pressure switch or wiring

**⚠ CAUTION** Motor may be hot. Allow to cool 20 minutes.

**⚠ CAUTION** Water pressure may have built up in the pump, pipes and/or tank. Drain water to relieve pressure.

### Motor Switch Settings (Figure 8)

Motors are designed to run on either 115 volt or 230 volt current. Be sure the motor's wires are attached properly to the motor's control panel for the voltage required.

### Wiring Pressure Switch

Attach the wires from the power source to the pressure switch following the directions provided under the cover of the pressure switch. Remove the pressure switch cover and follow wiring directions under the cover lid. Be sure to ground wire the pressure switch to the motor.

### Wiring the Motor (Figure 8)

Attach wires between the pressure switch and the motor ensuring the wires are connected to the motor for the proper electrical source voltage, i.e. 115V or 230V- see the wiring diagrams in this manual or under the cover of the motor. Ensure to ground the pressure switch to the motor.

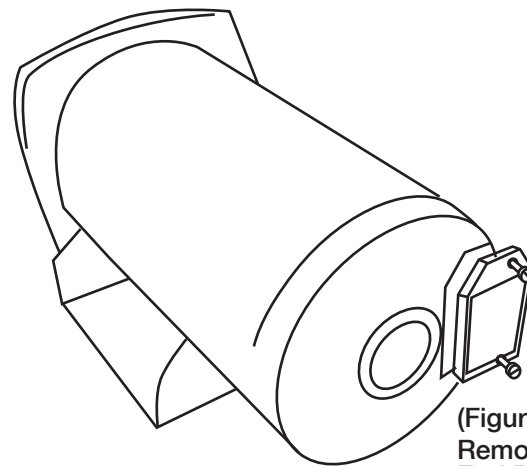
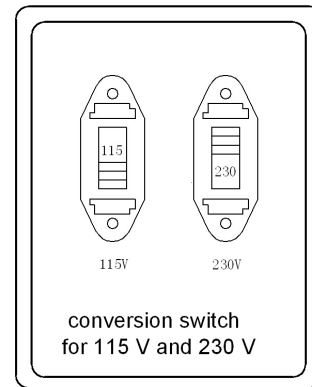
### Wiring

**⚠ WARNING** Risk of electric shock.

Can shock, burn or kill.

1. To avoid dangerous or fatal electrical shock, turn OFF power to motor before working on electrical connections.
2. Ground motor before connecting to electrical power supply. Failure to ground motor can cause severe or fatal electrical shock hazard.
3. Supply voltage must be within +/- 10% of nameplate voltage. Incorrect voltage can cause fire or damage motor and voids warranty. If in doubt consult a licensed electrician.
4. Use wire size specified in Wiring Chart (below). If possible, connect pump to a separate branch circuit with no other appliances on it.
5. Do not ground to a gas supply line.
6. Wire motor according to diagram on motor nameplate. If nameplate diagram differs from diagrams above, follow nameplate diagram.
7. If this procedure or the wiring diagrams are confusing, consult a licensed electrician.

Figure 7



(Figure 8)  
Remove Motor End Plate

### Wiring Chart Recommended Wire and Fuse Sizes for 115 and 230 volts

MOTOR HP	VOLTS	MAX. LOAD AMP	BRANCH FUSE RATING AMP	AWG MIN. WIRE SIZE (mm <sup>2</sup> )	DISTANCE IN FEET FROM MOTOR TO SUPPLY				
					0-100	101-200	201-300	301-400	401-500
					AWG WIRE SIZE (mm <sup>2</sup> )				
1/2	115/230	10.6/6.5	15/15	12/14 (3/2)	12/14 (8.4/2)	8/14 (2/2)	6/14 (14/2)	6/12 (14/3)	4/10 (21/5.5)
3/4	115/230	11/6.6	20/15	10/14 (5.5/2)	12/14 (8.4/2)	8/14 (8.4/2)	6/12 (14/3)	4/10 (21/5.5)	4/10 (21/5.5)
1	115/230	11.8/6.7	25/15	10/14 (5.5/2)	6/14 (14/2)	8/14 (8.4/2)	6/12 (14/3)	4/10 (21/5.5)	4/10 (21/5.5)

**For parts or assistance, call ECO-FLO Customer Service at 1-877 326-3561**

## OPERATION



### **▲WARNING**

#### **Hazardous Pressure,**

Install pressure relief valve in discharge pipe.

Release all pressure on system before working on any component.

### PREPARING TO START THE PUMP - SHALLOW WELL

**▲WARNING Risk of burns.** Never run pump dry. Running pump without water may cause pump to overheat, damaging seal and possibly causing burns to persons handling pump. Fill pump with water before starting.

**▲CAUTION** Be sure the pump is full of water before starting the motor.

**▲WARNING Risk of explosion and scalding.** Never run pump against closed discharge. To do so can boil water inside pump, causing hazardous pressure in unit, risk of explosion and possible scalding persons handling pump.

1. Open the faucet of control valve as far as possible. Then remove the priming plug from the pump and fill the pump, fill all piping between the pump and the well, and make sure that all piping in the well is full. If you have also installed a priming tee in the suction piping, remove the plug from the tee and fill the suction piping.
2. Replace all fill plugs. Leave the control valve open (in a shallow well installation, the control valve always stays open).

3. Turn electric power on.
4. Start the pump. The pump should pump water in two or three minutes.
5. If you don't have water after 2 or 3 minutes, stop the pump and remove the fill plugs. Refill the pump and piping. You may have to repeat this two or three times in order to get all the trapped air out of the piping. The control valve remains open throughout this procedure.
6. As pump begins to build pressure, close faucet. Pump should continue to build pressure until pressure switch shuts it off. Check the pressure switch operation by opening a faucet or two and running enough water out to bleed off pressure until the pump starts. If your jet has a 30/50 pressure switch, the pump should start when the pressure drops to 30 PSI and stop when pressure reaches 50 PSI. Run the pump through one or two complete cycles to verify correct operation. This will also help clean the system of dirt and scale dislodged during installation.

### PREPARING TO START THE PUMP - DEEP WELL CONVERTIBLE

**▲WARNING Risk of burns.** Never run pump dry. Running pump without water may cause pump to overheat, damaging seal and possibly causing burns to persons handling pump. Fill pump with water before starting.

**▲CAUTION** Be sure the pump is full of water before starting the motor.

**▲WARNING Risk of explosion and scalding.** Never run pump against closed discharge. To do so can boil water inside pump, causing hazardous pressure in unit, risk of explosion and possibly scalding persons handling pump.

1. Open the pressure regulator control valve as far as possible. Then remove the priming plug from the pump and fill the pump, fill all piping between the pump and the well, and make sure that all piping in the well is full. If you have also installed a priming tee in the suction piping, remove the plug from the tee and fill the suction piping.
2. Replace all plugs.
3. Turn electric power on.
4. Start the pump and watch the pressure gauge. The pressure should build rapidly to 50 PSI as the pump primes.
5. Open several faucets in the residence to permit water flow and to release trapped air. After 2 or 3 minutes, the gauge should show pressure. If not, stop the pump,

remove the fill plugs, and refill the pump and piping. You may have to repeat this two or three times in order to get all the trapped air out of the piping.

6. When water pressure has built up and is maintained by the pump, slowly close the pressure regulator control valve while watching the pressure gauge needle. Continue closing the valve until you see the pressure gauge needle start to flutter. If the needle starts to flutter, slowly open the valve just enough to stop the flutter. Your pump is now operating at peak efficiency.
7. Close all open faucets. After the pump has built up pressure in the system and shut off, check the pressure switch operation by opening a faucet or two and running enough water out to bleed off pressure until the pump starts. If your jet has a 30/50 pressure switch, the pump should start when the pressure drops to 30 PSI and stop when pressure reaches 50 PSI. Run the pump through one or two complete cycles to verify correct operation. This will also help clean the system of dirt and scale dislodged during installation.

### Winterizing

1. Turn off power and open faucets to relieve system pressure.
2. Drain pump of all winter and leave drain plug out until restarting pump

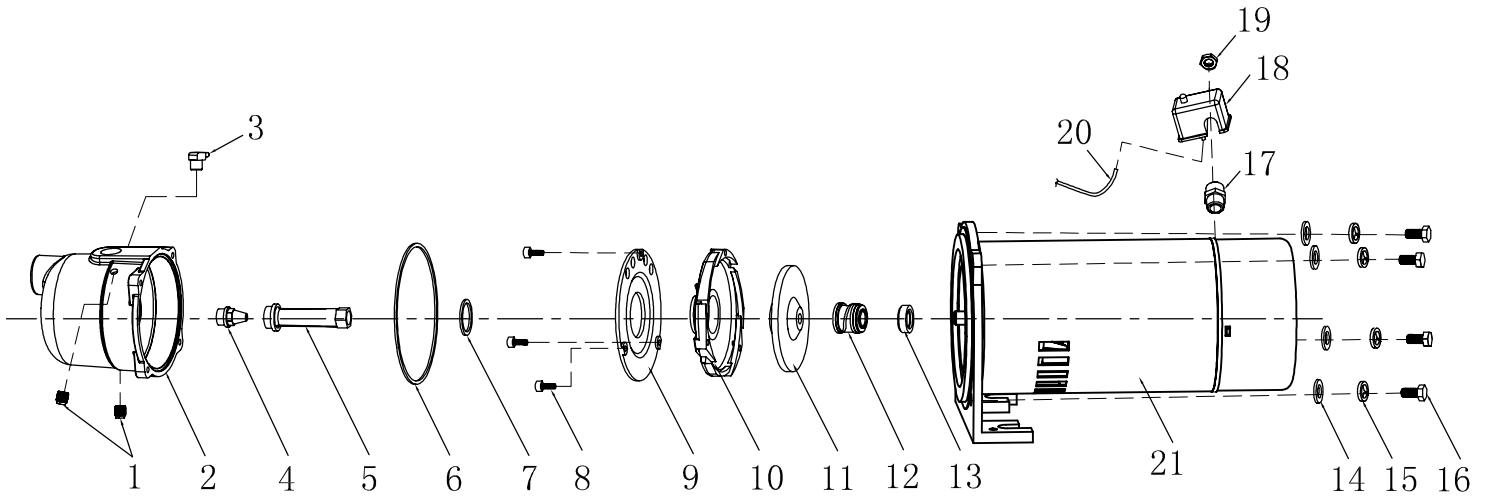
For parts or assistance, call ECO-FLO Customer Service at 1-877 326-3561

# TROUBLE SHOOTING

SYSTEM	POSSIBLE CAUSE(S)	
Motor will not run	Fuse is blown or circuit breaker tripped	Replace fuse or reset circuit breaker.
	Starting switch is defective	DISCONNECT POWER; Replace starting switch
	Wires at motor are loose, disconnected, or wired incorrectly	Refer to instructions on wiring (Page 9). DISCONNECT POWER; check and tighten all wiring. <b>⚠WARNING</b> Hazardous voltage. Capacitor voltage may be hazardous. To discharge capacitor, hold insulated handle screwdriver BY THE HANDLE and short capacitor terminals together. Do not touch metal screwdriver blade or capacitor terminals. If in doubt, consult a qualified electrician.
Motor runs hot and overload kicks off	Motor is wired incorrectly	Refer to instructions on wiring.
	Voltage is too low	Check with power company. Install heavier wiring if wire size is too small (See Electrical/Wiring Chart)
	Pump cycles too frequently	See section below on too frequent cycling.
Motor runs but no water is delivered*  *Stop pump; then check prime before looking for other causes. Unscrew priming plug and see if water is in priming hole	Pump in new installation did not prime due to: 1. Pipes were not filled with water 2. Air leaks 3. Leaking foot valve or check valve	In new installation: 1. Re-prime according to instructions. 2. Check all connections on suction line and AVC with shaving cream. 3. Replace foot valve or check valve.
	Pump has lost prime through: 1. Air leaks 2. Water level below suction pipe inlet 3. Faulty check or foot valve.	In installation already in use: 1. Check all connections on suction line and shaft seal. 2. Lower suction line into water and re-prime. If receding water level in well exceeds 25' (7.6MO, a deep well pump is needed). 3. Replace faulty valve.
	Foot valve or strainer is plugged	Clean foot valve or strainer
	Ejector or impeller is plugged	Clean ejector or impeller.
	Check valve or foot valve is stuck shut	Replace check valve or foot valve.
	Pipes are frozen	Thaw pipes. Bury pipes below frost line. Heat pit or pump house.
	Foot valve and/or strainer are buried in sand or mud	Raise foot valve and/or strainer above bottom of water source. Clean foot valve and strainer.
	Water level is too low for shallow well setup to deliver water	A deep well jet will be needed if your well is more than 25' (7.6MO depth to water).
Pump does not deliver water to full capacity (Also check point 3 immediately above)	Water level in well is lower than estimated.	A new nozzle and venturi combination may be needed.
	Steel piping (if used) is corroded or limed, causing excess friction	Replace with plastic pipe where possible, otherwise with new steel pipe.
	Piping is too small in size	Use larger piping.
Pump delivers water but does not shut off or pump cycles too frequently	Pressure switch is out of adjustment or contacts are welded together	DISCONNECT POWER; adjust or replace pressure switch
	Faucets have been left open	Close faucets
	Venturi, nozzle or impeller is clogged	Clean venturi, nozzle or impeller
	Standard pressure tank is waterlogged and has no air cushion	Drain tank to air volume control port. Check AVC for defects. Check all connections for leaks.
	Pipes leak	Check connections.
	Foot valve leaks	Replace foot valve.
	Pressure switch is out of adjustment	Adjust or replace pressure switch.
Air charge too low in pre-charged tank	DISCONNECT POWER and open faucets until all pressure is relieved. Using tire pressure gauge, check air pressure in tank at valve stem located on the tank. If less than pressure switch cut in setting (30-50 PSI), pump air into tank from outside source until air pressure is 2 PSI less than cut-in setting of switch. Check air valve for leaks (use soapy solution) and replace core if necessary.	
Air spurts from faucets	Pump is not primed	When pump has picked up prime, it should pump solid water with no air.
	Leak in suction side of pump	Suction pipe is sucking air. Check joints for leaks with shaving cream.
	Well is gaseous	Consult factory about installing a sleeve in the well.
	Intermittent over-pumping of well. (Water drawn down below foot valve.)	Lower foot valve if possible, otherwise restrict pump discharge.

**For parts or assistance, call ECO-FLO Customer Service at 1-877 326-3561**

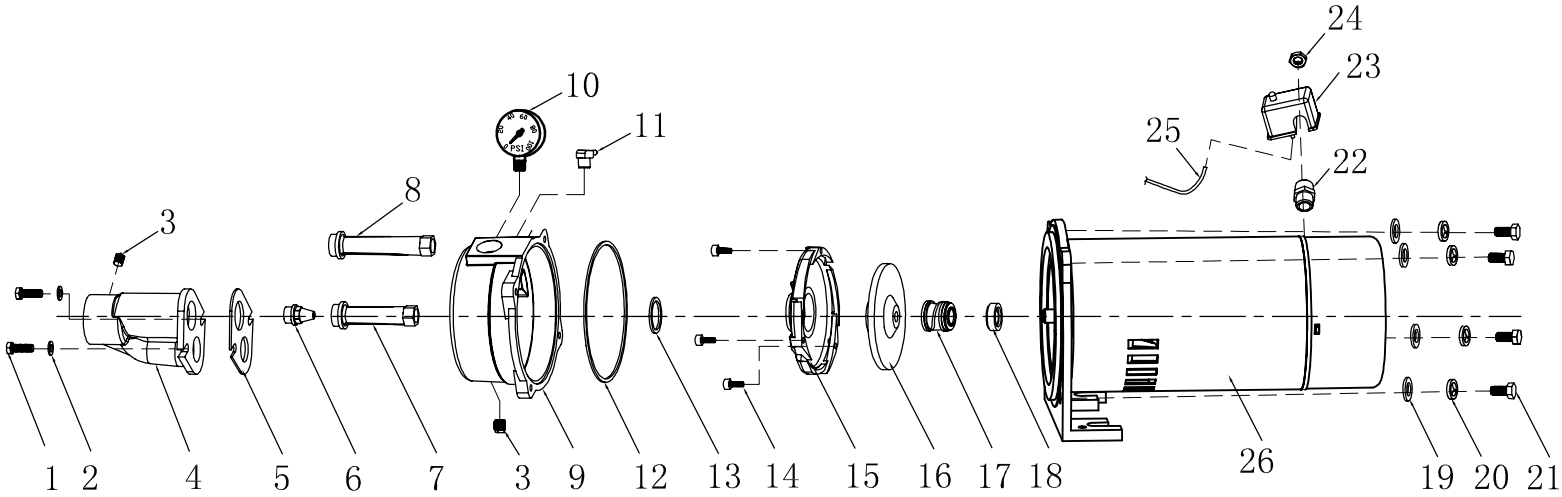
# SHALLOW WELL PUMP REPAIR PARTS



NO.	QUANTITY	PART NUMBER	DESCRIPTION
1	2	EFSWJ0501	Plug (1/4-18NPT)
2	1	EFSWJ0502	Volute
3	1	EFSWJ0503	Adapter
4	1	EFSWJ0504	Nozzle
5	1	EFSWJ0505	Venturi Tube
6	1	EFSWJ0506	O-Ring of Volute
7	1	EFSWJ0507	O-Ring of Venturi Tube
8	3	EFSWJ0508	Bolt (1/4-2 ounc)
9	1	EFSWJ0509	Plate
10	1	EFSWJ0510	Impeller Cover Plate
11	1	EFSWJ0511	Impeller for 1/2 HP
	1	EFSWJ0711	Impeller for 3/4 HP
	1	EFSWJ1011	Impeller for 1 HP
12	1	EFSWJ0512	Action Ring of Mechanical Seal
13	1	EFSWJ0513	Quiet Ring of Mechanical Seal
14	4	EFSWJ0514	Plain Washer (Ø10)
15	4	EFSWJ0515	Spring Washer (Ø10)
16	4	EFSWJ0516	Screw
17	1	EFSWJ0517	Adapter/Pressure Switch
18	1	EFSWJ0518	Pressure Switch
19	1	EFSWJ0519	Nut/Adapter
20	1	EFSWJ0520	Pressure Tube
21		EFSWJ0521	1/2 HP Motor
	1	EFSWJ0721	3/4 HP Motor
		EFSWJ1021	1 HP Motor

For parts or assistance, call ECO-FLO Customer Service at 1-877 326-3561

# CONVERTIBLE DEEP WELL PUMP REPAIR PARTS



NO.	QUANTITY	PART NUMBER	DESCRIPTION
1	2	EFCWJ0501	Screw (3/8-16 UNC)
2	2	EFCWJ0502	Washer
3	2	EFCWJ0503	Plug (1/4-18NPT)
4	1	EFCWJ0504	Ejector
5	1	EFCWJ0505	Gasket of Ejector
6	1	EFCWJ0506	Nozzle
7	1	EFCWJ0507	Venturi Tube for 1/2 HP
		EFCWJ0707	Venturi Tube for 3/4 HP
		EFCWJ1007	Venturi Tube for 1 HP
8	1	EFCWJ0508	Long Tube
9	1	EFCWJ0509	Volute
10	1	EFCWJ0510	Pressure Gauge
11	1	EFCWJ0511	Adapter
12	1	EFCWJ0512	O-Ring of Volute
13	1	EFCWJ0513	O-Ring of Venturi Tube
14	3	EFCWJ0514	Bolt
15	1	EFCWJ0515	Guide Plate
16	1	EFCWJ0516	Impeller for 1/2 HP
		EFCWJ0716	Impeller for 3/4 HP
		EFCWJ1016	Impeller for 1 HP
17	1	EFCWJ0517	Action Ring of Mechanical Seal
18	1	EFCWJ0518	Quiet Ring of Mechanical Seal
19	4	EFCWJ0519	Plain Washer Ø10
20	4	EFCWJ0720	Spring Washer Ø10
21	4	EFCWJ0521	Screw
22	1	EFCWJ0522	Action/Pressure Switch
23	1	EFCWJ0523	Pressure Switch
24	1	EFCWJ0524	Nut/Adapter
25	1	EFCWJ0525	Pressure Tube
26	1	EFCWJ0507	1/2 HP Motor
		EFCWJ0707	3/4 HP Motor
		EFCWJ1007	1 HP Motor

For parts or assistance, call ECO-FLO Customer Service at 1-877 326-3561



## EJECTOR PACKAGE

Replacement parts are available for ejector kits - see parts list below. A complete ejector kit including components for both shallow and deep well applications is also available - order 090JEJE001 - See picture below

### Shallow Well Installation

### Deep Well Installation (4" Wells)



NOTICE: Use care not to damage sealing face (marked "Surface B" on drawing above) or internal leakage may occur.

### EFCWJ (Cast Iron) Series Shallow Well

### Deep Well

Item Description	P/N	Identifying No.	P/N	Identifying No.
Ejector Body	62JET0505	1	62JET0505	1
Nozzle	60JET0505	2	60JET0505	2
Venturi, shallow well (1/2HP)	60JET0504	1/2HP	60JET0503	DM
Venturi, shallow well (3/4HP)	60JET0702	3/4HP		
Venturi, shallow well (1HP)	60JET1002	1HP		
Gasket	63JET0503	3	63JET0503	3
Pipe Plug	62JET0504	4	62JET0504	4
Socket Head Capscrew (2 ea)	4A3D05C14	5	4A3D05C14	5
Combined Ejector Kit	090JEJE001			

**For parts or assistance, call ECO-FLO Customer Service at 1-877 326-3561**

# WARRANTY

## Retain Original Purchase Receipt for Warranty Eligibility

### Limited Warranty

Manufacturer warrants to the original consumer purchaser (“Purchaser” or “You”) that its products are free from defects in material and workmanship for a period of twelve (12) months from the date of the original consumer purchase. If, within twelve (12) months from the original consumer purchase, any such product shall prove to be defective, it shall be repaired or replaced at manufacturer’s option, subject to the terms and conditions set forth herein. Note that this limited warranty applies to manufacturing defects only and not to ordinary wear and tear. All mechanical devices need periodic parts and service to perform well. This limited warranty does not cover repair when normal use has exhausted the life of a part or the equipment.

The original purchase receipt and product warranty information label are required to determine warranty eligibility. Eligibility is based on purchase date or original product – not the date of replacement under warranty. The warranty is limited to repair or replacement of original purchased product only, not replacement product (i.e. one warranty replacement allowed per purchase).

Purchaser pays all removal, installation, labor, shipping, and incidental charges.

Claims made under this warranty shall be made by contacting and returning the product to the factory immediately after the discovery or any alleged defect. Manufacturer will subsequently take corrective action as promptly as reasonably possible. No requests for service will be accepted if received more than 30 days after the warranty expires. Warranty is not transferable and does not apply to products used in commercial/rental applications.

### General Terms and Conditions; Limitations of Remedies

You must pay all labor and shipping charges necessary to replace product covered by this warranty. This warranty does not apply to the following: (1) acts of God; (2) products which, in manufacturer’s sole judgment, have been subject to negligence, abuse, accident, misapplication, tampering, or alteration; (3) failures due to improper installation, operation, maintenance or storage; (4) atypical or unapproved application, use or service; (5) failures caused by corrosion, rust or other foreign materials in the system, or operation at pressures in excess of recommended maximums.

This warranty sets forth manufacturer’s sole obligation and purchaser’s exclusive remedy for defective products.

MANUFACTURER SHALL NOT BE LIABLE FOR ANY CONSEQUENTIAL, INCIDENTAL, OR CONTINGENT DAMAGES WHATSOEVER. THE FOREGOING LIMITED WARRANTIES ARE EXCLUSIVE AND IN LIEU OF ALL OTHER EXPRESS AND IMPLIED WARRANTIES, INCLUDING BUT NOT LIMITED TO IMPLIED WARRANTIES OF MERCHANTABILITY AND FITNESS FOR A PARTICULAR PURPOSE. THE FOREGOING LIMITED WARRANTIES SHALL NOT EXTEND BEYOND THE DURATION PROVIDED HEREIN.

Some states do not allow the exclusion or limitation of incidental or consequential damages or limitations on how long an implied warranty lasts, so the above limitations or exclusions may not apply to You. This warranty gives You specific legal rights and You may also have other rights which vary from state to state.

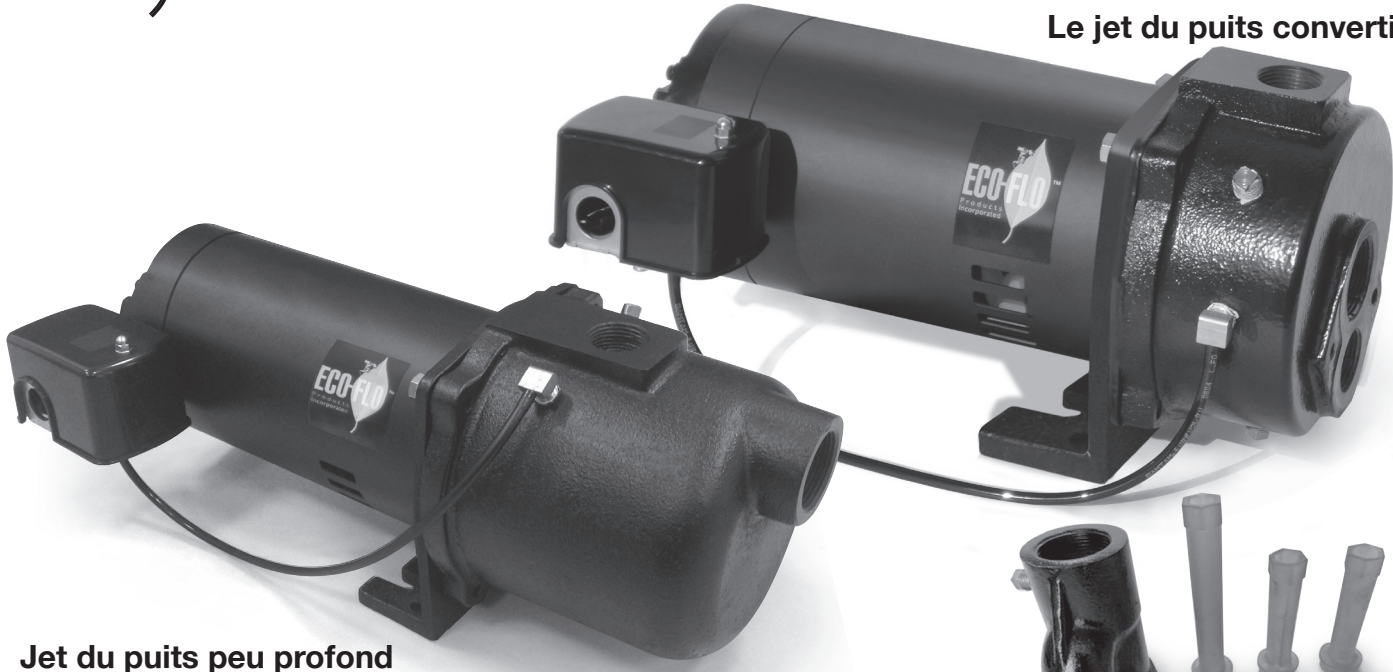


1899 Cottage Street, Ashland, Ohio 44805  
Telephone: 1-877-326-3561  
Fax: 1-877-326-1994  
[www.ecofloproducts.com](http://www.ecofloproducts.com)



# Manuel des propriétaires Les pompes à jet

Le jet du puits convertible



Jet du puits peu profond



Trousse d'Ejecteur

## Table des Matières

Sécurité générale . . . . .	18
Installation . . . . .	19-23
Connexions du tuyau et du réservoir .	24
Electrique . . . . .	25
Opération. . . . .	26
dépannage. . . . .	27
Parts de réparation . . . . .	28-29
Trousse d'Ejection . . . . .	30
Assemblée de réservoir /Jet. . . . .	31
Garantie . . . . .	32



# Avant que vous commencez

## Sécurité: besoin des linformations de sécurité

1. Evite les brûlures de pression/l'explosion
2. Évite un choc électrique

**Remplissez la pompe d'eau:** Assurez-vous que le corps de pompe est rempli d'eau pour décharger.

**Les installations électriques de moteur:** installez la moteur au bon voltage, c'est à dire le voltage fournie à la pompe - Voir la section électrique  
Besoin de l'aide : téléphonez 1-877-326-3561 à l'aide.

## SECURITE GENERAL E

**Les étiquettes de sécurité des instructions de sécurité importante Lisez et suivez attentivement les instructions de sécurité dans ce manuel et sur la pompe.**

Conservez les Instructions – Ce manuel contient les instructions importantes qui devraient être suivies pendant l'installation, l'opération, et l'entretien du produit. Conservez ce manuel pour la référence future.

**!** C'est le symbole d'alerte de sécurité. Lorsque vous voyez ce symbole sur votre pompe ou dans ce manuel, cherchez un des mots-clés suivants et être attentif à la possibilité de blessures corporelles !

**! DANGER** Indicates a hazard which, if not avoided, will result in death or serious injury.

**! ADVERTISSEMENT** Indique un danger qui, si elle n'est pas évitée, entraînera la mort ou des blessures graves.

**! ATTENTION** Indique un danger qui, si elle n'est pas évitée, peut entraîner la mort ou des blessures graves.

**NOTICE** NOTICE indique que les pratiques ne sont pas liées à des blessures corporelles. Gardez les étiquettes de sécurité dans la bonne condition. Remplacez les étiquettes de sécurité manquantes ou endommagées.

## Sécurité générale

**! ATTENTION** Risque des brûlures  
Ne touchez pas un moteur d'opération. Les moteurs sont conçus pour fonctionner à hautes températures. Pour éviter les brûlures lors d'entretenir la pompe, laissez refroidir pendant 20 minutes après l'arrêt avant de le manipuler.

Ne laissez pas la pompe ou aucun composant du système geler. Faire comme cela va annuler la garantie.

Pompez l'eau seulement avec cette pompe.

Périodiquement, inspectez la pompe et les composants du système.

Portez des lunettes de sécurité en tout temps lorsque vous êtes en train de travailler sur les pompes.

**! ADVERTISSEMENT** Risque de l'explosion.  
Le corps de la pompe peut exploser si elle est utilisée comme une pompe de booster.



## REPLACEMENT D'UNE POMPE ANCIENNE

### **ADVERTISSEMENT** Coupez l'alimentation

électrique de la pompe avant de travailler sur la pompe ou le moteur.

1. Déchargez et supprimez l'ancienne pompe. Vérifiez l'ancienne pompe pour l'échelle, la chaux, la rouille, etc, et le remplacez si c'est nécessaire.
2. Installez la pompe dans le système. Assurez-vous

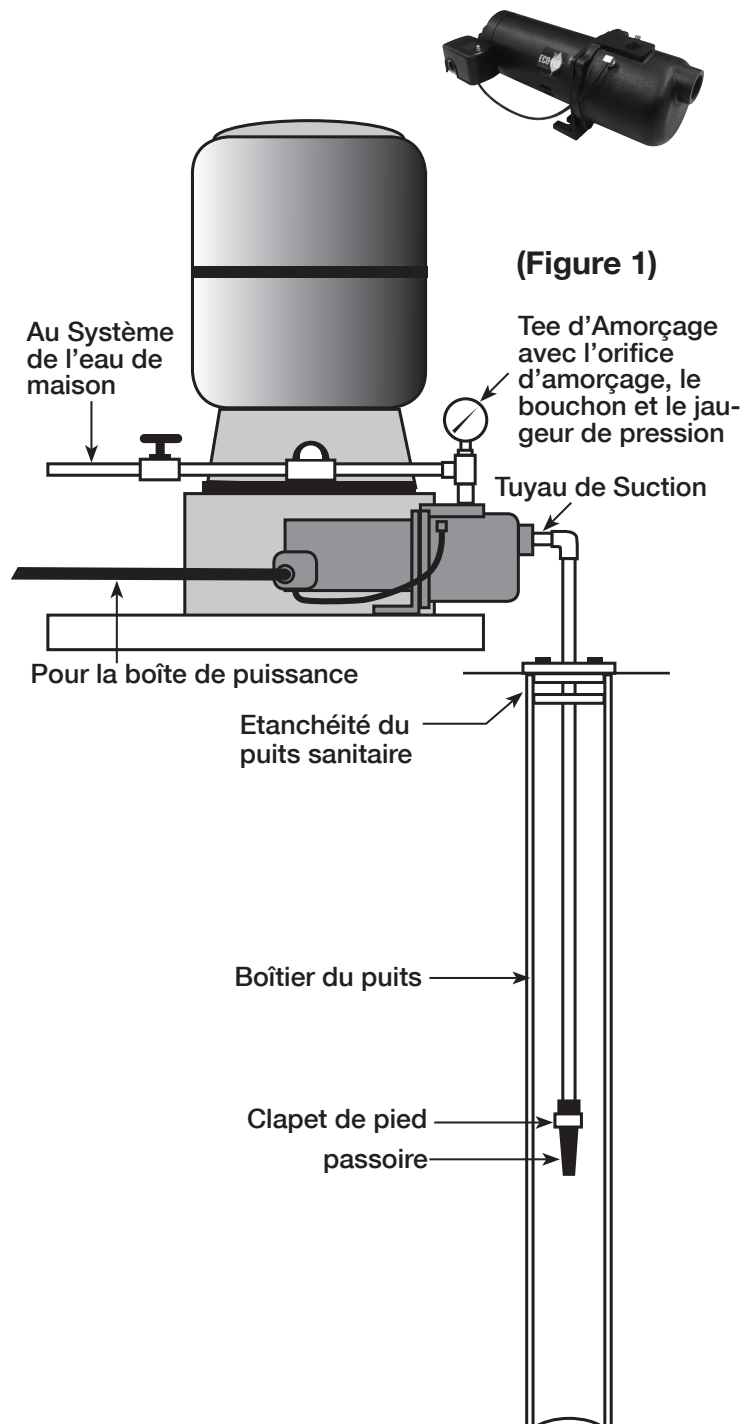
que tous les raccords de tuyaux dans le tuyau de succion sont étanches à l'air ainsi que étanches à l'eau. Si le tuyau de succion peut sucer de l'air, la pompe ne pourra pas tirer de l'eau du puits.

3. Réglez la hauteur de montage de la pompe de sorte que les raccords de plomberie ne mettent pas de pression sur le corps de pompe. Soutenez le tuyau afin que le corps de la pompe ne supporte pas le poids de la tuyauterie ou les raccords.

## INSTALLATIONS DE LA POMPE DE Puits PEU PROFOND DEVOUE

### Installation du puits tubé (Figure 1)

1. Montez la pompe tout près du puits le plus possible.
2. Assemblez le clapet de pied, la passoire et le tuyau du puits. Assurez-vous que le clapet de pied marche librement.
3. Abaissez le tuyau dans le puits jusqu'à ce que la passoire soit à cinq pieds du fond du puits. Il devrait également être au moins 10 pieds au-dessous du niveau de l'eau du puits.
4. Installez un joint sanitaire de puits
5. Installer un tee d'amorçage, le bouchon d'amorçage, et la jauge de pression au port de succion de la pompe. Connectez le tuyau du puits au port de succion de la pompe, en utilisant le moins possible les installations surtout les coudes - augmenter la friction dans le tuyau. Le tuyau de succion doit être au moins aussi grand que le port de succion sur la pompe. Supportez le tuyau ainsi qu'il n'y a pas de trempettes ou d'affaissements dans le tuyau, afin de ne pas tendre le corps de pompe, et de sorte qu'il est légèrement incliné vers le haut à partir du puits de la pompe ( Note: sans le faire peut créer des serrures d'air empêchant la pompe de fonctionner correctement ). Scellez les joints de tuyauterie de succion avec le ruban d'étanchéité de tuyau de PTFE ou un composé à joint de tuyau base de PTFE. Les joints doivent être serré de l'air et de l'eau. Si le tuyau de succion peut sucer de l'air, la pompe ne peut pas tirer de l'eau du puits.
6. Voyez les instructions sur la page 8 pour connecter le tuyau de décharge vers le réservoir.

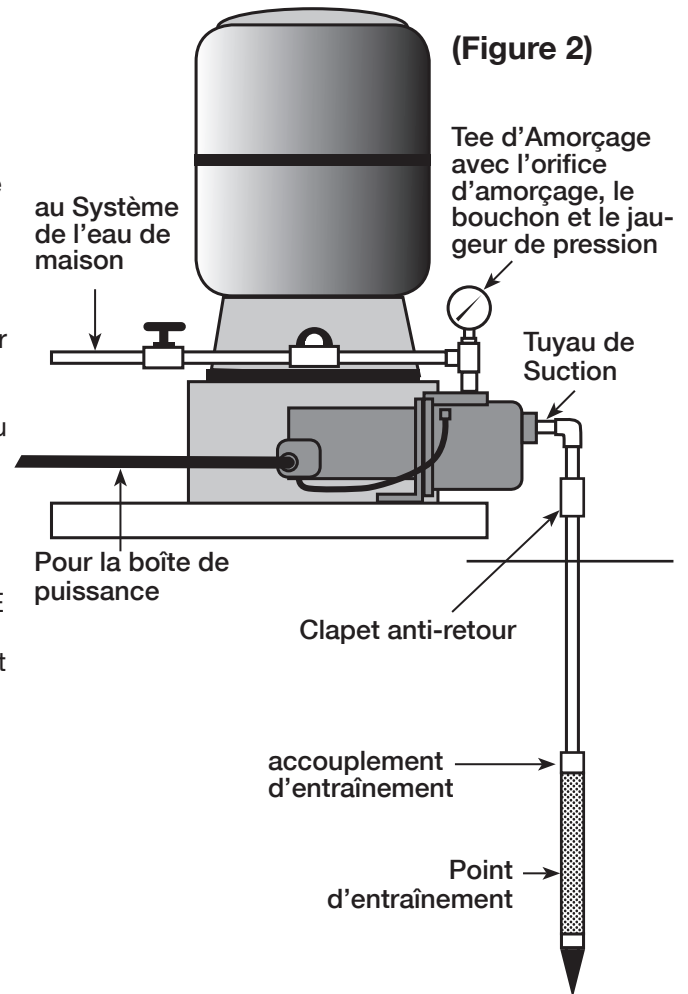


Pour les parts ou l'aide, téléphonez au Service de clientèle de ECO-FLO 1-877 326-3561

# INSTALLATIONS DE LA POMPE DE PUIXS PEU PROFOND DEVOUE

## Installation de Point Drive (Figure 2)

1. Marchez le point de puits, utilisant "les accouplements" et un " bouchon de conduite". " les installations de conduite" sont enfilés tout au long et permettent les extrémités du tuyau à bout contre l'autre de sorte que la force d'entraînement du maillet est porté par le tuyau et non par les fils. Les installations ordinaires trouvées dans les quincailleries ne sont pas filetées tout au long de l'installation et peuvent s'effondrer sous l'impact. " Les installations de conduite" sont également plus lisses que les installations de plomberie de standard, ce qui facilite la pénétration du sol.
2. Montez la pompe tout près du puits le plus possible.
3. Utilisez le moins possible les installations (surtout les coudes) lors de la connexion du tuyau du point du puits au port de suction de la pompe. La pompe de suction doit être au moins aussi grand que le port de suction sur la pompe.
4. Installez un clapet anti-retour si votre pompe n'est pas équipée avec un.
5. Installer un tee d'amorçage, le bouchon d'amorçage, et la jauge de pression au port de suction de la pompe. Connectez le tuyau du puits au port de suction de la pompe, en utilisant le moins possible les installations- surtout les coudes - augmenter la friction dans le tuyau. Le tuyau de suction doit être au moins aussi grand que le port de suction sur la pompe. Supportez le tuyau ainsi qu'il n'y a pas de trempettes ou d'affaissements dans le tuyau, afin de ne pas tendre le corps de pompe, et de sorte qu'il est légèrement incliné vers le haut à partir du puits de la pompe  
( Note: sans le faire peut créer des serrures d'air empêchant la pompe de fonctionner correctement ). Scellez les joints de tuyauterie de suction avec le ruban d'étanchéité de tuyau de PTFE ou un composé à joint de tuyau base de PTFE. Les joints doivent être serré de l'air et de l'eau. Si le tuyau de suction peut sucer de l'air, la pompe ne peut pas tirer de l'eau du puits.
6. Si un point de puit ne fournit pas assez d'eau, pensez de connecter deux ou trois points de puits à un tuyau de suction.
7. Voyez les instructions sur la page 8 pour connecter le tuyau de décharge vers le réservoir.



# INSTALLATIONS DE LA POMPE DE Puits PEU PROFOND DEVOUE

## Installation d'eau de surface (Figure 3)

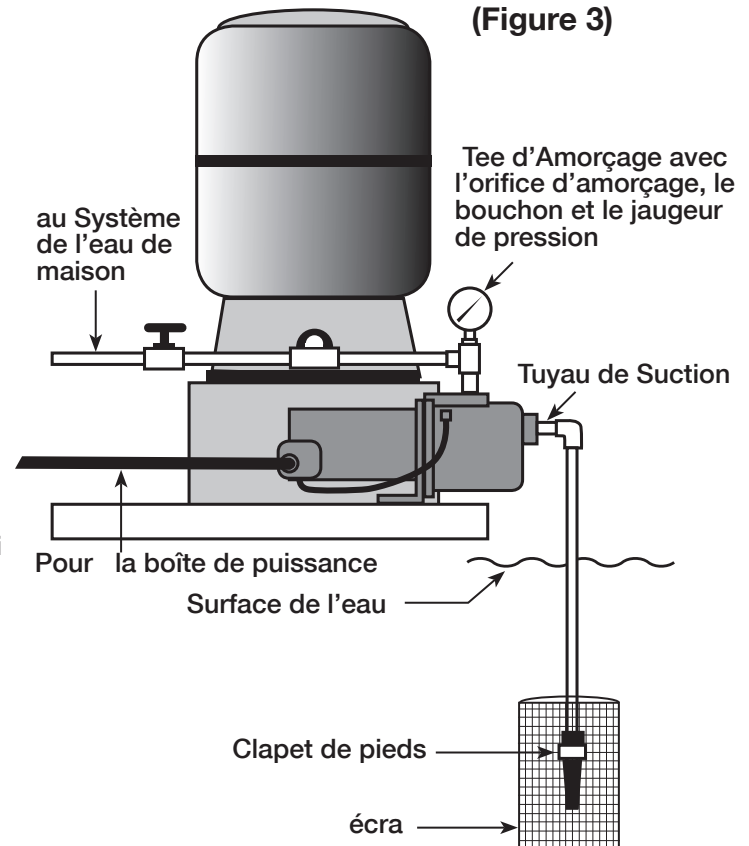


**ATTENTION** La contamination possible.  
N'utilisez pas d'eau de surface pour boire. L'installation représentée pourrait être utilisée pour des applications de gicleurs.

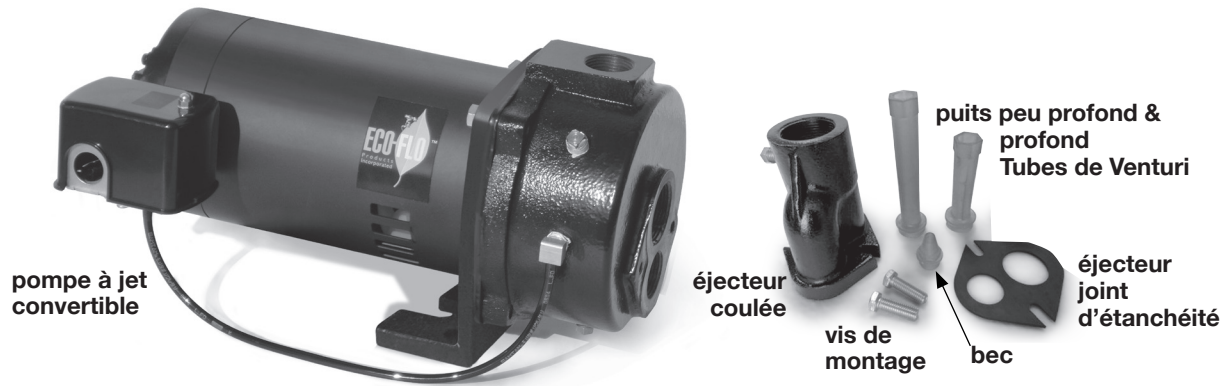
1. La pompe doit être installée tout près de l'eau le plus possible, avec le moins possible si devrait être au moins aussi grand que le port de succion sur la pompe.
2. Assemblez un clapet de pied et la passoire au tuyau de succion. Assurez-vous que le clapet de pied marche librement. Utilisez le ruban d'étanchéité de tuyau de PTFE ou un composé à joint de tuyau base de PTFE sur les joints de tuyauterie filetés.
3. Installez un écran pour protéger le système de l'eau de laisser des débris entrer dans le système.
4. Abaissez le tuyau dans le puits jusqu'à ce que la passoire soit à cinq pieds du fond du puits. Il devrait également être au moins 10 pieds au-dessous du niveau de l'eau du puits afin d'éviter que la pompe ne suce pas de l'air.
5. Installer un tee d'amorçage, le bouchon d'amorçage, et la jauge de pression au port de succion de la pompe. Connectez le tuyau du puits au port de succion de la pompe, en utilisant le moins possible les installations - surtout les coudes - augmenter la friction dans le tuyau. Le tuyau de succion doit être au moins aussi grand que le port de succion sur la pompe. Supportez le tuyau ainsi qu'il n'y a pas de trempettes ou d'affaissements dans le tuyau, afin de ne pas tendre le corps de pompe, et de sorte qu'il est légèrement incliné vers le haut à partir du puits de la pompe ( Note: sans le faire peut créer des serrures d'air empêchant la pompe de fonctionner correctement ). Scellez les joints de tuyauterie de succion avec le ruban d'étanchéité de tuyau de PTFE ou un composé à joint de tuyau base de PTFE. Les joints doivent être serrés de l'air et de l'eau. Si le tuyau de succion peut sucer de l'air, la pompe ne peut pas tirer de l'eau du puits.
6. Les joints doivent être serrés de l'air et de l'eau. Si le tuyau de succion peut sucer de l'air, la pompe ne peut pas tirer de la source d'eau.
7. Voyez les instructions sur la page 8 pour connecter le tuyau de décharge vers le réservoir.



(Figure 3)



# NOUVEAU CONVERTIBLE ET INSTALLATIONS DE POMPE



Une pompe à jet convertible peut être utilisée soit dans des applications de puits peu profonde, **C'est à dire 0-25** ou dans les applications de puits profonds, **c'est-à-dire de 26 'à 75'**. Les deux mesures sont à partir de l'orifice d'admission de la pompe à la source d'eau. La pompe peut être converti de peu profond à profond ou de profond à peu profond.

Lorsqu'il est correctement installé votre pompe à jet, il devrait fournir les performances suivantes:

## PUITS PEU PROFOND POUR 4 "de diamètre Application DU PUIT- PERFORMANCE DE LA POMPE \*

MODELE	HP	VOLTAGE DE MONTEUR	INSTALLATION DE L'INTER-RUPTEUR DE PRESSION	DISTANCE DE L'EAU SUR LA POMPE					PRESSION FERMEE SUR LA PROFONDEUR MAXIMALE
				5'	10'	15'	20'	25'	
				GALLONS PAR MINUTE POMPES					
EFCWJ5-A	1/2	115/230	30-50	6.4	5.4	5.2	4.5	4	57 PSI
EFCWJ7-A	3/4	115/230	30-50	10.1	9.1	8.3	7.5	7.0	56 PSI
EFCWJ10-A	1	115/230	30-50	14.8	12.0	10.8	9	8.7	60 PSI

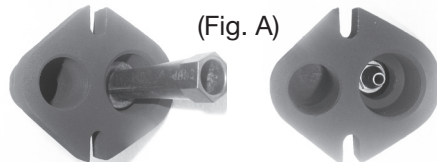
\* Performance indiquée dans GPM (gallons par minute) 40 PSI (livres par pouce carré) la pression de décharge

## PUITS PROFOND POUR 4 "de diamètre Application DU PUIT- PERFORMANCE DE LA POMPE

MODELE	HP	VOLTAGE DE MONTEUR	INSTALLATION DE L'INTER-RUPTEUR DE PRESSION	DISTANCE DE L'EAU SUR LA POMPE										PRESSION FERMEE SUR LA PROFONDEUR MAXIMALE
				20'	30'	40'	50'	60'	70'	80'	90'	100'	110'	
				GALLONS PAR MINUTE POMPES										
EFCWJ5-A	1/2	115/230	30-50	4.5	3.5	2.8	2.3	1.7	-	-	-	-	-	54 PSI
EFCWJ7-A	3/4	115/230	30-50	7.5	6.5	5.1	4.0	3.0	2.5	1.8	1.5	1.0	-	56 PSI
EFCWJ10-A	1	115/230	30-50	9.0	8.4	7.3	6.2	5.0	4.4	2.9	2.0	-	-	56 PSI

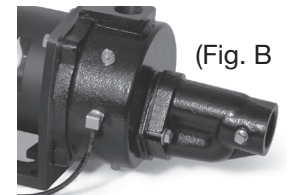
\* Performance indiquée dans GPM (gallons par minute) 40 PSI (livres par pouce carré) la pression de décharge

### Préparation de la pompe à jet convertible pour l'application du puits peu profond



1. Noter la buse est utilisé dans les applications à la fois de puits peu profond et profond et est installé dans la coulée de l'éjecteur à l'usine (Fig. A).
2. Utilisation de la grande extrémité de l'un des tubes de Venturi, comme une clé pour assurer que la buse est serrée dans le boîtier d'éjecteur. La buse doit être serrée par les doigts et un quart d'une utilisation de plus de tour d'une clé, d'une paire de pinces ou du tube de Venturi.
3. Sélectionnez le tube de Venturi marqué avec la puissance de votre moteur de la pompe, c'est-à-dire 1/2HP ou 3/4HP etc, ou marqué avec "SW" désignant pour les applications du puits peu profonds.

4. Installez le tube de Venturi dans le boîtier d'éjecteur.
5. Serrez le tube de Venturi dans la coulée serré par les doigts et un quart de tour supplémentaire avec une clé ou une paire de pinces.
6. Monter l'éjecteur à la pompe de puits convertible plaçant la rondelle entre l'éjecteur et le corps de la pompe à jet (Fig. B).
7. Fixez l'éjecteur sur le corps de la pompe avec les vis fournies avec la trousse d'éjection
8. Assurez-vous que les vis sont serrées.
9. Vous avez maintenant terminé l'assemblage de la pompe à jet convertible pour les applications de puits peu profonds.
10. Installez la pompe et la balance des accessoires de la pompe, par exemple, les tees, les jaugeurs etc par les instructions suivantes associées aux figures 1, 2, et 3 (figure B)

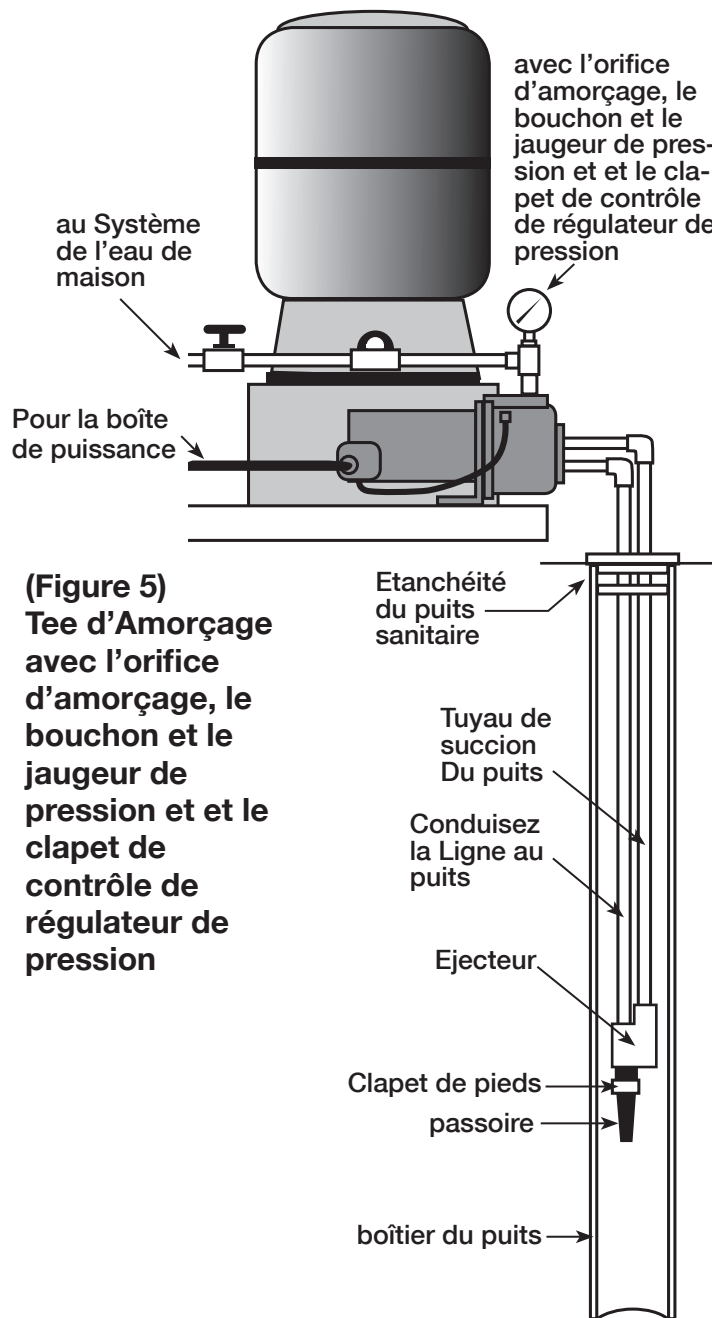


Pour les parts ou l'aide, téléphonez au Service de clientèle de ECO-FLO 1-877 326-3561

## NOUVEAU CONVERTIBLE ET INSTALLATIONS DE POMPE

### Préparation de la pompe à jet convertible pour l'application de puits profond Soit les puits 26-75', 4" diamètres

1. Monter la soupape de commande de régulateur de pression avec le jaugeur de pression, et d'autres installations (voyez figure 5). Monter sur l'orifice de refoulement de la pompe.
2. Préparez l'éjecteur.
3. Noter la buse est installé à l'usine dans le corps de l'éjecteur (voyez figure A, page 6)
4. Choisissez et installez le tube de Venturi marqué d'un DW, alors DW désigne le puits profond, à nouveau comme décrit ci-dessus dans les applications de puits profonds.
5. Installez un tuyau court et le clapet de pied à l'extrémité d'admission de l'éjecteur pour assurer que les tuyaux ne perdent pas d'eau, c'est-à-dire, restez originalement lorsque la moteur de la pompe à jet est éteindue.
6. Utilisation du tuyau approprié pour chaque orifice dans l'éjecteur, installez le tuyau sur l'éjecteur (figure 5) et commencez à l'abaisser dans la source d'eau à la profondeur que vous avez déterminé permettant d'optimiser le rendement de l'eau de votre pompe.
7. Noter les tuyaux seront deux tailles différentes pour optimiser la performance de la pompe à jet. Un tuyau sera 1" et l'autre sera 1-1/4" de diamètre.
8. Fixez les extrémités opposées des tubes aux orifices d'admission de la pompe à jet.
9. Installez un joint sanitaire de puits et brancher les canalisations d'éjection de la pompe. Utilisez mamelons en acier à travers le joint d'étanchéité de puits de tuyau souple en polyéthylène pour éviter d'écraser le tuyau en matière plastique lors du serrage du joint.
10. Supportez le tuyau afin qu'il n'y ait pas de creux ou d'affaissements dans le tuyau, de sorte qu'il ne tire pas le corps de la pompe, et afin qu'il est incliné légèrement vers le haut à partir du puits de la pompe (les points hauts peuvent causer des poches d'air qui peuvent serrer la pompe par air). Scellez les joints de tuyauterie de suction avec le ruban d'étanchéité de tuyau de PTFE ou un composé à joint de tuyau base de PTFE. Les joints doivent être serré de l'air et de l'eau. Si le tuyau de suction peut sucer de l'air, la pompe ne peut pas tirer de l'eau du puits.
11. Vous êtes maintenant prêt à préparer la pompe par instructions à la page 10
12. Voyez les instructions sur la page 8 pour connecter le tuyau de décharge vers le réservoir.



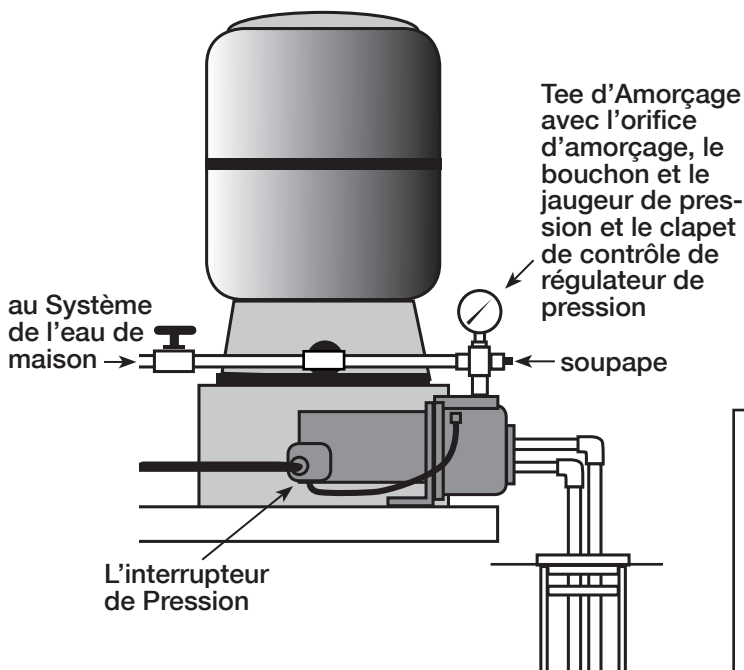


## TUYAU DE DÉCHARGE ET LA PRESSION RÉSERVOIR CONNEXIONS

### connectant le décharge de la pompe aux connexions du réservoir préchargé(Figure 6)

1. Installez deux tees dans l'orifice de décharge de la pompe. La taille du tuyau doit être au moins aussi grand que l'orifice de décharge.
2. Marchez un tuyau d'un bras du tee dans l'orifice de décharge de la pompe à l'extrémité du tee installé dans le réservoir de pré-chargée.
3. Connectez l'autre extrémité du tee de reservoir à votre système de plomberie.
4. Bouchez les ouvertures restantes dans les tees avec des bouchons filetés ou une jauge de pression.
5. Vérifiez la pression d'air dans le réservoir utilisant un jaugeur de pneus ordinaire.
6. La pression d'air doit être 2 PSI moins que la coupe dans la mise de l'interrupteur à pression de la pompe.
7. La pression du reservoir de pré-chargée est mesurée lorsqu'il n'y a pas d'eau dans le réservoir.
8. Par exemple, si votre pompe a un interrupteur à pression de 30/50 PSI, votre pompe allumera lorsque la pression dans la ligne baisse à 30 PSI (coupe dans la pression) et éteindra lorsque la pression dans la ligne augmente à 50 PSI(coupe hors de la pression). La pression d'air dans le réservoir devrait être fixé à 28 PSI, (30-2)
9. Remplir la pompe avec de l'eau.
10. Passer à section électrique.

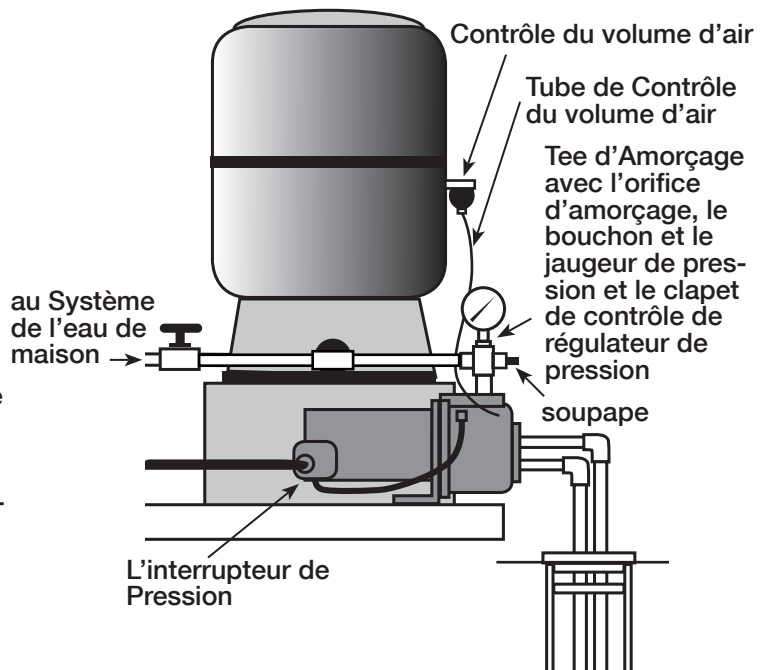
### (Figure 6) Connexions de réservoir chargé Tee d'Amorçage avec l'orifice d'amorçage, le bouchon et le jaugeur de pression et le contrôle de régulateur de pression



### Connecter la pompe de décharge du réservoir standard (Figure 7)

1. Installez deux tees dans l'orifice de décharge de la pompe.
2. Marchez un tuyau d'un bras du tee dans l'orifice de décharge de la pompe à l'extrémité du tee installé dans le réservoir
3. Connectez l'autre extrémité du tee de reservoir à votre système de plomberie.
4. Installez une autre ouverture de la pompe tees une bague de réduction jusqu'à 1/8" "NPT dans le tee. Marchez les tubes du tee à l'orifice sur le Contrôle du Volume d'Air (CVA) monté sur le réservoir.
5. Bouchez les ouvertures restantes avec des bouchons filetés ou une jauge de pression.
6. Scellez tous les joints avec le ruban d'étanchéité de tuyau de PTFE ou un composé à joint de tuyau base de PTFE. Voyez les instructions fournies avec le reservoir et le CVA pour les détails.
7. Verser de l'eau dans la pompe.
8. Passez à la section électrique.

### (Figure 7) Connexions de réservoir standard



### Les joints de tuyau scellé

Utilisez seulement le ruban d'étanchéité de tuyau de PTFE ou un composé à joint de tuyau base de PTFE pour faire tous les raccords filetés à la pompe elle-même. N'utilisez pas les composés des joints de tuyau sur les pompes en plastique: ils peuvent réagir avec le plastique dans les composés de la pompe. Assurez-vous que tous les joints de tuyaux dans le tuyau de succion sont étanches à l'air ainsi que étanches à l'eau. Si le tuyau de succion peut sucer l'air, la pompe ne pourra pas tirer de l'eau du puits.

# ELECTRIQUE

**⚠** Coupez l'alimentation avant de travailler sur la pompe, le moteur, l'interrupteur de pression ou le câblage

**⚠ ATTENTION** Le moteur est chaud. Laisser refroidir 20 minutes.

**⚠ ATTENTION** La pression d'eau peut avoir mis en place dans la pompe, les tuyaux et/ou le réservoir. Videz l'eau pour soulager la pression

## Les installations des commutateurs du moteur (figure 8)

Les moteurs sont conçus pour fonctionner soit 115 volts ou 230 volts en courant. Assurez-vous que les fils du moteur sont correctement fixés au panneau de commande du moteur pour le voltage requis.

## Le commutateur de pression de câblage

Attachez les fils de la source de puissance au commutateur de pression suivant les directions fournies sous le couvercle de du commutateur de pression, c'est-à-dire, retirez le couvercle de l'interrupteur de pression et suivez les directions de câblage sous le couvercle supérieur. Assurez-vous que le fil de la terre est du commutateur de pression au moteur.

## Le moteur de câblage (figure 9)

A Attachez les fils entre le commutateur de pression et le moteur assurant que les fils sont connecté au moteur pour le voltage de la source électrique appropriée, soit 115V ou 230V- voyez les schémas de câblage dans ce manuel ou sous le couvercle du moteur. Assurez-vous de relier le commutateur de pression au moteur.

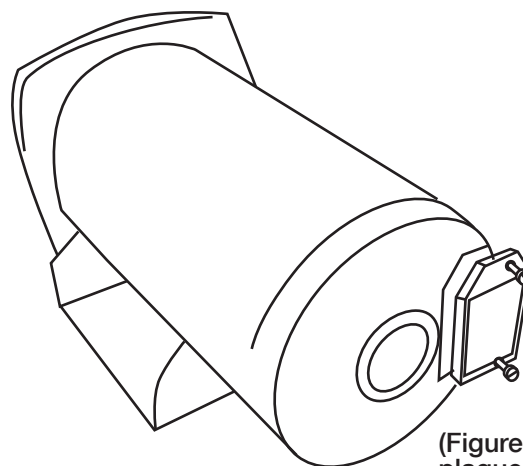
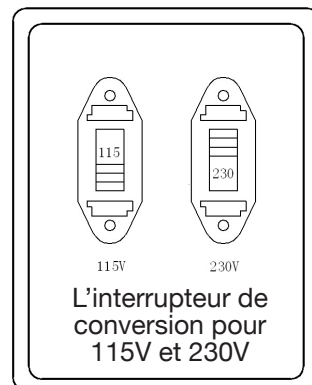
## Le câblage

**⚠ AVERTISSEMENT** Risque choc électrique

Peut choquer, brûler ou tuer

1. Pour éviter les chocs électriques dangereuses, voire mortelles, éteignez le courant alimentant au moteur avant de travailler sur les connexions électriques.
2. Le moteur à la terre avant de brancher l'alimentation électrique. Défaut de moteur à la terre peut causer le risque de choc électrique grave ou mortelle.
3. Le voltage d'alimentation doit être dans +/- 10% du voltage nominale. Un voltage incorrect peut provoquer le moteur de feu ou des dommages et annuler la garantie. En cas de doute, consultez un électricien agréé.
4. Utilisez la taille du fil indiqué dans le Tableau de câblage (ci-dessous). Si c'est possible, branchez la pompe sur un circuit de dérivation séparé avec aucun autre appareil sur elle.
5. Ne tirez pas la ligne d'alimentation en gaz.
6. Câblez le moteur conformément au diagramme sur la plaque signalétique du moteur. Si le diagramme de plaque est différent des diagrammes ci-dessus, suivez les diagramme de la plaque signalétique.
7. Si cette procédure ou les diagrammes de câblage sont confus, consultez un électricien agréé.

Figure 8



(Figure 9) Retirer la plaque du moteur de bout

**Tableau de câblage de fils et fusibles Tailles Recommandé pour 115 et 230 volts**

MOTEUR HP	VOLTS	CHARGE MAXIMALE AMP	DIRECTION FUSE COTE AMP	AWGTAILLE DE FIL MINIMIN (mm <sup>2</sup> )	DISTANCE EN PIEDS DE MOTEUR DE FOURNIR				
					0-100	101-200	201-300	301-400	401-500
					TAILLE DE FIL AWG (mm <sup>2</sup> )				
1/2	115/230	10.6/6.5	15/15	12/14 (3/2)	12/14 (8.4/2)	8/14 (2/2)	6/14 (14/2)	6/12 (14/3)	4/10 (21/5.5)
3/4	115/230	11/6.6	20/15	10/14 (5.5/2)	12/14 (8.4/2)	8/14 (8.4/2)	6/12 (14/3)	4/10 (21/5.5)	4/10 (21/5.5)
1	115/230	11.8/6.7	25/15	10/14 (5.5/2)	6/14 (14/2)	8/14 (8.4/2)	6/12 (14/3)	4/10 (21/5.5)	4/10 (21/5.5)

Pour les parts ou l'aide, téléphonez au Service de clientèle de ECO-FLO 1-877 326-3561



## OPÉRATION



### AVERTISSEMENT

**La Pression dangereuse, Installez la soupape de décharge de pression dans le tuyau d'évacuation. Libérez toute la pression sur le système avant de travailler sur aucun composé .**

### PREPARATION DU COMMENCEMENT DE LA POMPE-LE PUIIS PEU PROFOND



#### AVERTISSEMENT Risque des brûlures.

Ne faites jamais fonctionner la pompe à sec. Marcher la pompe sans eau peut causer la pompe à surchauffer, les joint dommageable, et peut causer des brûlures aux personnes qui manipuleront la pompe. Remplissez la pompe d'eau avant de commencer.



#### ATTENTION Assurez-vous que la pompe est remplie d'eau avant le démarrage du moteur.



**AVERTISSEMENT** Risque de l'explosion et des brûlures. Ne marchez jamais la pompe contre un refoulement fermé. Faire comme cela, il peut faire bouillir l'eau à l'intérieur de la pompe, entraînant une pression dangereuse dans l'unité, la risque d'explosion et d'éventuelles personnes échaudage qui manipuleront la pompe.

1. Ouvrez la vanne de commande dans la mesure du possible. Ensuite, retirez le bouchon d'origine de la pompe et remplissez la pompe, remplissez toutes les tuyauteries entre la pompe et le puits, et assurez-vous que toutes les tuyauteries dans le puits sont remplies. Si vous avez installé un tee original dans la tuyauterie de succion, supprimez le bouchon du tee et remplissez la tuyauterie de succion.
2. Reposer tous les bouchons. Laisser ouvrir la vanne de

commande (dans une installation de puits peu profond, la soupape de commande reste toujours ouvert)

3. Allumez l'alimentation électrique!
4. Commencez la pompe. La pompe devrait pomper de l'eau dans deux ou trois minutes.
5. Si vous n'avez pas d'eau après 2 ou 3 minutes, arrêtez la pompe et supprimez les bouchons de remplissage. Remplissez la pompe et la tuyauterie. Vous pouvez répéter deux ou trois fois afin d'obtenir tout l'air emprisonné dans la tuyauterie. La vanne de commande reste ouverte tout au long de cette procédure.
6. Après que la pompe a développé la pression dans le système et a arrêté, vérifiez le fonctionnement de l'interrupteur de pression en ouvrant un ou deux robinets et en marchant suffisamment de l'eau pour dissiper la pression jusqu'à ce que la pompe démarre. Si votre jet a un commutateur de 30/50 pression, la pompe devrait commencer lorsque la pression tombe à 30 PSI et s'arrête lorsque la pression atteint à 50 PSI. Marchez la pompe à travers un ou deux cycles complets afin de vérifier le bon fonctionnement. Cela permettra également de nettoyer le système de la saleté et de l'échelle délogé lors de l'installation.

### PREPARATION DU COMMENCEMENT DE LA POMPE-LE PUIIS PEU PROFOND



#### AVERTISSEMENT Risque des brûlures.

Ne faites jamais fonctionner la pompe à sec. Marcher la pompe sans eau peut causer la pompe à surchauffer, les joint dommageable, et peut causer des brûlures aux personnes qui manipuleront la pompe. Remplissez la pompe d'eau avant de commencer.



#### ATTENTION Assurez-vous que la pompe est remplie d'eau avant le démarrage du moteur.



**AVERTISSEMENT** Risque de l'explosion et des brûlures. Ne marchez jamais la pompe contre un refoulement fermé. Faire comme cela, il peut faire bouillir l'eau à l'intérieur de la pompe, entraînant une pression dangereuse dans l'unité, la risque d'explosion et d'éventuelles personnes échaudage qui manipuleront la pompe.

1. Ouvrez la vanne de commande de régulateur de pression dans la mesure du possible. Ensuite, retirez le bouchon d'origine de la flow and to release trapped air. After 2 or 3 minutes, the gauge should show pressure. If not, stop the pump, pompe et remplissez la pompe, remplissez toutes les tuyauteries entre la pompe et le puits, et assurez-vous que toutes les tuyauteries dans le puits sont remplies. Si vous avez installé un tee original dans la tuyauterie de succion, supprimez le bouchon du
2. Reposer tous les bouchons.
3. Allumez !
4. Démarrez la pompe et regardez le jaugeur de pression. La pression devrait construire rapidement à 50 PSI comme les nombres premiers de la pompe.

5. Ouvrez plusieurs robinets dans la résidence pour permettre l'écoulement de l'eau et de libérer l'air emprisonné. Après 2 ou 3 minutes, le jaugeur devrait montrer la pression. Si non, arrêtez la pompe, supprimez les bouchons de remplissage et remplissez la pompe et la tuyauterie. Vous pouvez répéter deux ou trois fois afin d'obtenir tout l'air emprisonné dans la tuyauterie.
6. Lorsque la pression de l'eau a mis en place et est main tenu par la pompe, fermez lentement la vanne de commande du régulateur de pression en regardant l'aiguille du jaugeur de pression. Continuez à fermer la vanne jusqu'à ce que vous voyez l'aiguille du jaugeur de pression commencent à flotter. Si l'aiguille commence à flotter, ouvrez lentement la vanne juste assez pour arrêter le battement. Votre pompe fonctionne maintenant à plein rendement.
7. Fermez tous les robinets ouverts. Après que la pompe a développé la pression dans le système et a arrêté, vérifiez le fonctionnement de l'interrupteur de pression en ouvrant un ou deux robinets et en marchant suffisamment de l'eau pour dissiper la pression jusqu'à ce que la pompe démarre. Si votre jet a un commutateur de 30/50 pression, la pompe devrait commencer lorsque la pression tombe à 30 PSI et s'arrête lorsque la pression atteint à 50 PSI. Marchez la pompe à travers un ou deux cycles complets afin de vérifier le bon fonctionnement. Cela permettra également de nettoyer le système de la saleté et de l'échelle délogé lors de l'installation.

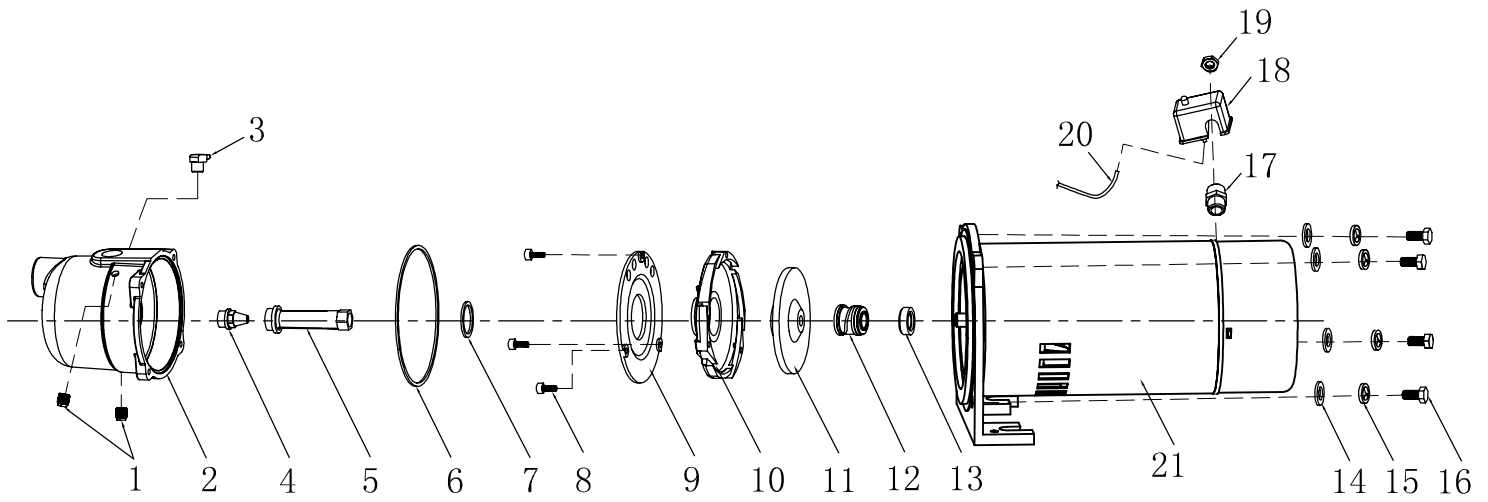
**Pour les parts ou l'aide, téléphonez au Service de clientèle de ECO-FLO 1-877 326-3561**

# DÉPANNAGE

SYSTEM	POSSIBLE CAUSE(S)	
Le moteur ne marchera pas	Le fusible est grillé ou disjoncteur déclenche	Remplacez le fusible ou réenclenchez le disjoncteur.
	L'interrupteur de démarrage est défectueux	COUPER L'ALIMENTATION; Remplacez interrupteur de démarrage
	Fils à moteur sont desserrés, débranchés ou mal câblé	Référez les instructions sur le câblage (Page 9). Coupez l'alimentation; vérifiez et serrez tous les fils. (Symbole d'AVERTISSEMENT ) voltage dangereux. Le voltage de condensateur peut être dangereux. Pour décharger le condensateur, maintenez le tournevis à manche isolé par la poignée et les bornes du condensateur courtes ensemble. Ne touchez pas la lame de tournevis métallique ou les bornes du condensateur.
Le moteur chauffe et le surchauffage commence	Le moteur est mal câblé	Référez les instructions sur le câblage
	le voltage est très faible	Vérifiez auprès de votre compagnie d'électricité. Installez le câblage plus lourd si la taille du fil est trop petit (Voir le tableau électrique / de câblage)
	la pompe marche très souvent	Voyez la section ci-dessous sur le cycle trop fréquent
Le moteur fonctionne mais l'eau n'est pas livré*  *Arrêtez la pompe; puis vérifiez l'origine avant de rechercher d'autres causes. Dévissez le bouchon d'origine et voyez si l'eau est dans le trou d'origine	La pompe dans la nouvelle installation n'a pas de choix en raison de: 1. Les tuyaux n'ont pas été remplis d'eau 2. les fuites d'air 3. Fuite de clapet de pied ou de clapet anti-retour	Dans une nouvelle installation: 1. Re-prêtez selon les instructions. 2. Vérifiez toutes les connexions sur la ligne de succion et CVA avec la crème à raser. 3. Remplacez le clapet de pied ou le clapet anti-retour.
	La pompe a perdu l'origine par: 1. les fuites d'air 2. Le niveau d'eau ci-dessous l'entrée du tuyau de succion 3. Contrôle défectueux ou clapet de pied	Dans l'installation déjà en service: 1. Vérifiez toutes les connexions sur la ligne de succion et le joint d'arbre. 2. La ligne de succion inférieure dans l'eau et la re-prime. Si le recul du niveau d'eau dans le puits dépasse 25' (7.6MO, une pompe de puits profond est nécessaire.) 3. Remplacez la vanne défectueuse.
	Le clapet de pied ou la crépine est branché	Nettoyez le clapet de pied ou la passoire
	L'éjecteur ou l'impulseur est branché	Nettoyez l'éjecteur ou l'impelleur.
	Clapet anti-retour ou clapet de pied est coincé	Remplacer le clapet de verification ou le clapet de pied.
	Les tubes sont congelés	tuyaux de dégel. Enterrer les tuyaux en dessous du seuil de gel Fosse de chaleur ou maison de pompe
	Vanne de pied et/ou le passoire sont t enterrés dans le sable ou la boue	Soulever la vanne et / ou la passoire sur le fond de la source d'eau. Nettoyez la vane de pied et la passoire.
	Le niveau d'eau est trop faible pour l'installation de puits de surface pour fournir de l'eau	Un jet de puits profond sera nécessaire si votre puits est plus de 25 '(7.6MO profondeur à l'eau.
La pompe de délivre pas d'eau à pleine capacité (Vérifiez également le point 3 immédiatement ci-dessus)	Le niveau d'eau dans le puits est inférieur aux estimations.	Une nouvelle combinaison de buse et de Venturi peut être nécessaire.
	Tuyauterie en acier (le cas échéant) est corrodé ou chaulées, provoquant une friction excessive	Remplacez avec le tuyau en plastique où est possible, sinon avec le nouveau tube d'acier.
	La tuyauterie est trop petite dans la taille	Utilisez une plus grande tuyauterie
La pompe fournit de l'eau mais ne s'éteint pas ou pompe les cycles trop souvent	Interrupteur de pression est déréglée ou les contacts sont soudés ensemble	Coupez l'alimentation; ajustez ou remplacez l'interrupteur de pression
	Robinets ont été laissées ouvertes	Fermez les robinets
	Venturi, la buse ou la turbine est bouché	nettoyez le Venturi, le bec ou l'impelleur
	Réservoir de pression de standard est saturé d'eau et n'a pas de coussin d'air	Videz le réservoir à l'orifice de contrôle du volume d'air. Vérifiez CVA pour les défauts. Vérifiez les connexions pour les fuites.
	Fuite des tuyaux	Vérifiez les connexions.
	fuites de la vane de pied	Remplacez le clapet de pied.
	Interrupteur de pression est déréglée	ajustez ou remplacez l'interrupteur de pression
Chargé d'air trop faible dans le réservoir pré-chargé	COUPER LE COURANT et ouvert les robinets jusqu'à ce que toute la pression est soulagée. Utilisation du jaugeur de pression, vérifiez la pression d'air dans le réservoir à la tige de soupape située sur le réservoir. Si moins de commutateur de pression de coupure dans la mise (30-50 PSI), la pompe de l'air dans le réservoir de source extérieure jusqu'à ce que la pression de l'air est de 2 PSI moins de couper en position de l'interrupteur. S'assurer que la valve de fuites (solution savonneuse utilisation) et remplacer noyau si nécessaire.	
Air spurts from faucets Jets d'air des robinets	La pompe est pas prête	Lorsque la pompe a ramassé le premier, il faut pomper de l'eau solide sans air.
	Fuite dans le côté de succion de la pompe	Tuyau de succion suce de l'air. Vérifiez les joints pour les fuites avec de la crème à raser.
	La pompe est gazeuse	Consulter l'usine sur l'installation d'un manchon dans le puits.
	Intermittente sur-pompage du puits (L'eau tirée en bas clapet de pied.)	Valve inférieure de pied si c'est possible, sinon restreignez le refoulement de la pompe.

**Pour les parts ou l'aide, téléphonez au Service de clientèle de ECO-FLO 1-877 326-3561**

# LES PARTS DE REPARATION DE LA POMPE DU Puits PEU PROFOND

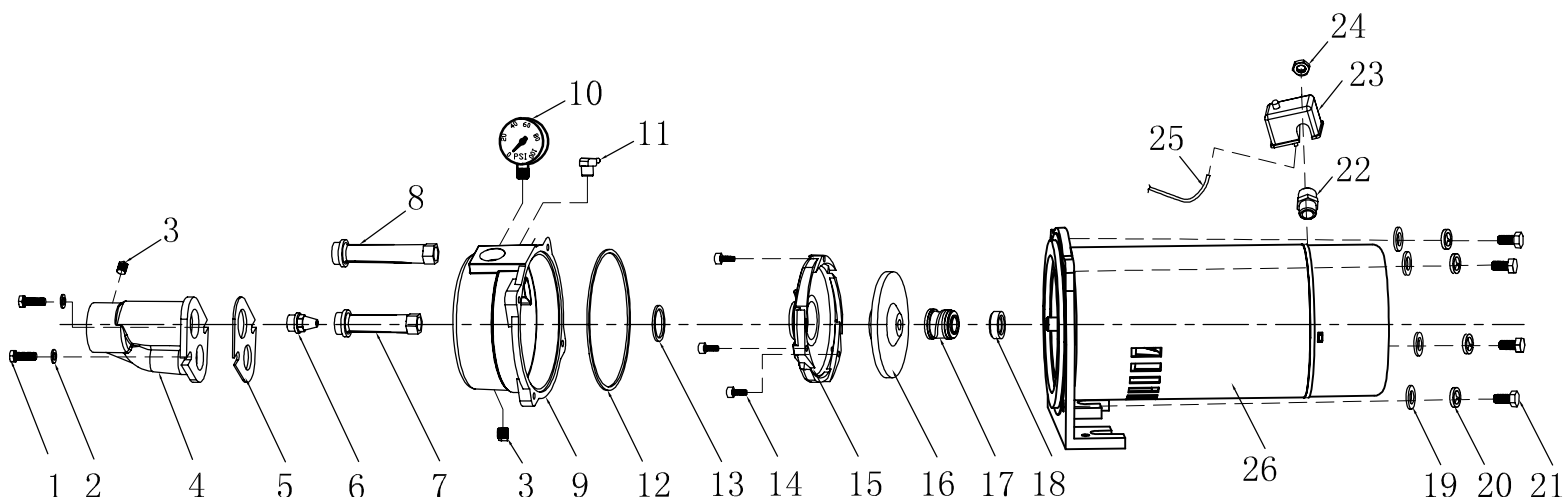


NO.	QUANTITE	NUMERO DES PARTS	DESCRIPTION
1	2	EFSWJ0501	Bouchon (1/4-18NPT)
2	1	EFSWJ0502	Volute
3	1	EFSWJ0503	Adaptateur
4	1	EFSWJ0504	Bec verseur
5	1	EFSWJ0505	Tuyau de Venturi
6	1	EFSWJ0506	Volute de l'anneau d'O
7	1	EFSWJ0507	Tuyau de Venturi de l'anneau d'O
8	3	EFSWJ0508	boulon(1/4-2 unc)
9	1	EFSWJ0509	plaque
10	1	EFSWJ0510	Enjoliveur d'impelleur
11	1	EFSWJ0511	Impelleur pour 1/2 HP
		EFSWJ0711	Impelleur pour 3/4 HP
		EFSWJ1011	Impelleur pour 1 HP
12	1	EFSWJ0512	Anneau d'action de garniture mécanique
13	1	EFSWJ0513	Anneau calme de garniture mécanique
14	4	EFSWJ0514	Rondelle plate( Ø10)
15	4	EFSWJ0515	Rondelle à ressort (Ø10)
16	4	EFSWJ0516	vis
17	1	EFSWJ0517	Adaptateur / Interrupteur de pression
18	1	EFSWJ0518	Interrupteur de pression
19	1	EFSWJ0519	écrou / Adaptateur
20	1	EFSWJ0520	Tuyau de pression
21	1	EFSWJ0521	1/2 HP Moteur
		EFSWJ0721	3/4 HP Moteur
		EFSWJ1021	1 HP Moteur

Pour les parts ou l'aide, téléphonez au Service de clientèle de ECO-FLO 1-877 326-3561



# LES PARTS DE REPARATION DE LA POMPE DU Puits PROFOND CONVERTIBLE



NO.	QUANTITY	PART NUMBER	DESCRIPTION
1	2	EFCWJ0501	vis (3/8-16 UNC)
2	2	EFCWJ0502	rondelle
3	2	EFCWJ0503	bouchon (1/4-18NPT)
4	1	EFCWJ0504	éjecteur
5	1	EFCWJ0505	joint d'étanchéité de l'éjecteur
6	1	EFCWJ0506	Bec verseur
7	1	EFCWJ0507	Tuyau de Venturi pour 1/2 HP
		EFCWJ0707	Tuyau de Venturi pour 3/4 HP
		EFCWJ1007	Tuyau de Venturi pour 1 HP
8	1	EFCWJ0508	Tuyau Long
9	1	EFCWJ0509	Volute
10	1	EFCWJ0510	Jaugeur de Pression
11	1	EFCWJ0511	Adaptateur
12	1	EFCWJ0512	Volute de l'anneau d'O
13	1	EFCWJ0513	Tuyau de Venturi de l'anneau d'O
14	3	EFCWJ0514	Boulon
15	1	EFCWJ0515	Plaque de guide
16	1	EFCWJ0516	Impelleur pour 1/2 HP
		EFCWJ0716	Impelleur pour 3/4 HP
		EFCWJ1016	Impelleur pour 1 HP
17	1	EFCWJ0517	Anneau d'action de garniture mécanique
18	1	EFCWJ0518	Anneau calme de garniture mécanique
19	4	EFCWJ0519	Rondelle plate Ø10
20	4	EFCWJ0720	Rondelle à ressort Ø10
21	4	EFCWJ0521	vis
22	1	EFCWJ0522	Interrupteur d'action/ de pression
23	1	EFCWJ0523	Interrupteur de pression
24	1	EFCWJ0524	écrou / Adaptateur
25	1	EFCWJ0525	Tuyau de pression
26	1	EFCWJ0507	1/2 HP Moteur
		EFCWJ0707	3/4 HP Moteur
		EFCWJ1007	1 HP Moteur

Pour les parts ou l'aide, téléphonez au Service de clientèle de ECO-FLO 1-877 326-3561

## ENSEMBLE ÉJECTEUR

Les pièces de rechange sont disponibles pour les trousse d'éjecteur – voyez liste des pièces ci-dessous. Une trousse d'éjecteur complète, y compris des composants pour les applications de puits profonds et peu profonds est également disponible - ordre 090JEJE001 – voyez la photo ci-dessous.

### Installation du puits peu profond

### Installation du puits profond(4" puits)



NOTICE: Faites attention à ne pas endommager la surface d'étanchéité(marqué "Surface B" sur le dessin ci-dessus) ou la fuite

### EFCWJ (la fonte) les séries Le puits peu profond

### Le puits profond

description de l'objet	Ton P/N	Numéro d' Identification	Ton P/N	Numéro d' Identification
Ejector Body	62JET0505	1	62JET0505	1
Nozzle	60JET0505	2	60JET0505	2
Venturi, shallow well (1/2HP)	60JET0504	1/2HP	60JET0503	DM
Venturi, shallow well (3/4HP)	60JET0702	3/4HP		
Venturi, shallow well (1HP)	60JET1002	1HP		
Gasket	63JET0503	3	63JET0503	3
Pipe Plug	62JET0504	4	62JET0504	4
Socket Head Capscrew (2 ea)	4A3D05C14	5	4A3D05C14	5

Pour les parts ou l'aide, téléphonez au Service de clientèle de ECO-FLO 1-877 326-3561

## JET/POMPE DU RÉSERVOIR



### LE RÉSERVOIR

1. Déposez le réservoir de son carton.
2. L'utilisation d'un jaugeur de pression de pneus, vérifiez l'air dans le réservoir.  
Il peut être nécessaire d'ajuster une fois que vous connaissez les installations ouvertes/ fermées sur l'interrupteur de pression de la pompe ( voyez le numéro 3 ci-dessous ).

### LA POMPE

1. Déposez la pompe de son carton.
2. Conservez le manuel des propriétaires de la pompe.
3. Retirez le couvercle de l'interrupteur de pression de la pompe, et lisez l'installation ouvertes/ fermées à partir de la face inférieure du couvercle de l'interrupteur de pression. Typiquement, les lectures sont:
  - a. la pompe (moteur) sur la pression: 30 PSI (livres par pouce carré);
  - b. la pompe (moteur) hors de la pression : 50 PSI.
4. Une fois que vous connaissez les pressions ouvertes/ fermées, modifiez la pression d'air dans le réservoir de pré-charge vide à 2 (deux) PSI ci-dessous de la pression ouverte, c'est à dire à 28 PSI.
5. Il est essentiel que la pression dans le réservoir soit 2 PSI ci-dessous du "tour de réservoir" sur la pression.

### UNE TROUSSE DE MONTAGE

1. Retirez les contenus de la trousse et les mettez en ordre dans les groupes.

### ASSEMBLÉE DU RESERVOIR À JET

1. Montez le jet sur le réservoir fixé le jet avec les 4 vis, les rondelles et les écrous fournis dans la trousse.
2. Assurez-vous que l'extrémité d'entrée de la pompe est sur la même extrémité de l'extrémité d'entrée du réservoir.
3. Serrez les écrous sur les boulons lors de l'installation d'autres pièces de la trousse.
4. Utilisez le ruban de téflon ou l'autre mastic de plomberie pour s'assurer que toutes les connexions sont scellées.

# GARANTIE

## Conservez la facture d'achat d'origine pour la garantie d'admissibilité

### La Garantie Limitée

Le fabricant garantit à l'acheteur original ( «Acheteur» ou «Vous» ) que ses produits sont exempts de défauts de matériaux et de fabrication pour une période de douze (12) mois à compter de la date de l'achat par le consommateur. Si, dans les douze (12) mois à compter de l'achat au détail original, tout produit s'avère défectueux, il doit être réparé ou remplacé, au choix du fabricant, dépend des modalités et conditions énoncées dans les présentes. Notez que cette garantie limitée s'applique aux défauts de fabrication seulement et non à l'usure normale. Tous les appareils mécaniques ont besoin de pièces et de service périodiques pour marcher le puit. Cette garantie limitée ne couvre pas les réparations quand l'usure normale a épuisé la durée d'une partie ou de l'équipement.

L'étiquette facture d'achat et la garantie du produit d'origine des informations sont nécessaires pour déterminer l'admissibilité garantie. L'admissibilité est basée sur la date d'achat ou d'un produit d'origine - pas la date de remplacement sous la garantie. La garantie est limitée à la réparation ou le remplacement du produit acheté d'origine seulement, pas le produit de remplacement (c'est à dire le remplacement d'une garantie autorisé par achat).

L'acheteur paie tout retrait, l'installation, la main-d'œuvre, le transport et les frais accessoires.

Les réclamations faites en vertu de cette garantie doit être faite en contactant et retourner le produit à l'usine immédiatement après la découverte ou toute irrégularité alléguée. Aucune demande de service ne sera acceptée si elle est reçue plus de 30 jours après l'expiration de la garantie. La garantie n'est pas transférable et ne s'applique pas aux produits utilisés dans des applications commerciales / de location.

### Les termes et les conditions généraux; Les limitations de recours

Vous devez payer tous les travaux et les charges nécessaires au remplacement du produit couvert par cette garantie.

Cette garantie ne s'applique pas à ce qui suit: (1) les actes de Dieu; (2) les produits qui, dans le seul jugement de fabricant, ont fait l'objet de négligence, d'abus, d'un accident, une mauvaise utilisation, l'altération ou la modification; (3) les défaillances dues à une mauvaise installation, l'exploitation, l'entretien ou le stockage; (4) l'application, l'utilisation, ou le service atypique ou non approuvé; (5) les défaillances causées par la corrosion, la rouille ou d'autres matières étrangères dans le système, ou le fonctionnement à des pressions supérieures à la limite maximale recommandée.

Cette garantie définit la seule obligation du fabricant et le recours exclusif de l'acheteur des produits défectueux.

Le fabricant ne peut être tenu responsable des dommages indirects, accessoires, ou continent que ce soit. Les précédentes garanties limitée sont exclusives et au lieu de toutes les autres garanties expresses et implicites, y compris mais non limité aux garanties implicites de qualité marchande et d'adéquation à un usage particulier. Les précédentes garanties limitée ne doivent pas s'étendre au-delà de la durée prévue aux présentes.

Certains états ne permettent pas l'exclusion ou la limitation des dommages accessoires ou consécutifs ou les limitations limitations sur la durée d'une garantie implicite, de sorte que les limitations ou les exclusions ci-dessus peuvent ne pas vous concerner. Cette garantie vous donne des droits légaux spécifiques et vous pouvez également avoir d'autres droits qui varient d'un État à l'autre.



1899 Cottage Street, Ashland, Ohio 44805

Téléphonez: 1-877-326-3561

Fax: 1-877-326-1994

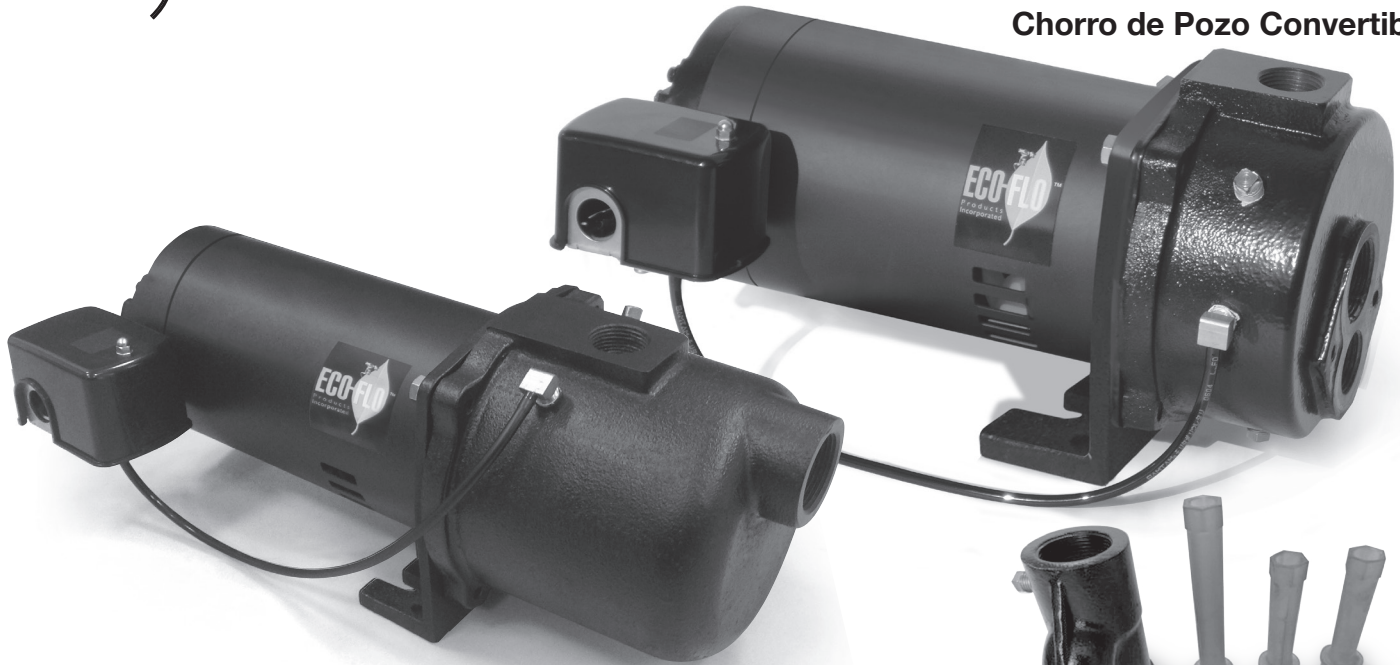
[www.ecofloproducts.com](http://www.ecofloproducts.com)



# Manual del usuario

# Bombas de Chorro

Chorro de Pozo Convertible



Chorro de Pozo Superficial



Equipo Eyector

## Tabla de Contenido

Seguridad General . . . . .	34
Instalación . . . . .	35-39
Conexion de Tanque y Tubería . . . . .	40
Eléctrico . . . . .	41
Operación. . . . .	42
Solución de Problemas. . . . .	43
Piezas de Repuesto . . . . .	44-45
Equipo Eyector . . . . .	46
Asamblea Chorro/Tanque . . . . .	47
Garantía . . . . .	48



# Antes de empezar

## Seguridad: Necesita info de seguridad

1. Evite Quemaduras / Explosión de Presión
2. Evite la descarga eléctrica

**Llenar la bomba con agua:** Asegúrese de que el cuerpo de la bomba se llena con agua de la descarga.


**Ajustes eléctricos del motor:** Ajuste del motor para el voltaje adecuado, es decir, el voltaje suministrado a la bomba - Vea la sección eléctrica


**Necesitas Ayuda:** Llame a 1-877-326-3561 para asistencia.


## SEGURIDAD GENERAL


**Las etiquetas de seguridad importantes**  
**Instrucciones de seguridad** *Lea y siga cuidadosamente todas las instrucciones de seguridad en este manual y en la bomba.*

GUARDE ESTAS INSTRUCCIONES - Este manual contiene instrucciones importantes que deben seguirse durante la instalación, operación y mantenimiento del producto. Guarde este manual para referencia en el futuro.

 Este es el símbolo de alerta de seguridad. Cuando vea este símbolo en su bomba o en este manual, busque una de las siguientes palabras de señal y esté alerta a la posibilidad de lesiones personales!


 **PELIGRO** indica un peligro que, si no se evita, provocará la muerte o lesiones graves.

 **ADVERTENCIA** indica un peligro que, si no se evita, podría causar la muerte o lesiones graves.

 **PRECAUCION** indica un riesgo que, si no puede evitarse, puede provocar lesiones leves o moderadas.

**AVISO** indica prácticas no relacionadas con lesiones personales. Mantenga las etiquetas de seguridad en buenas condiciones. Reemplazar las etiquetas de seguridad faltantes o dañados

### Seguridad General

 **PRECAUCION** Riesgo de quemaduras. Notoque un motor en funcionamiento. Los motores son defirmado para funcionar a altas temperaturas. Para evitar quemaduras al reparar la bomba, deje que se enfríe durante 20 minutos después de apagado antes de manejar.


No permita que la bomba o cualquier componente del sistema se congelen.

Para ello, se anulará la garantía.

Bombee agua solamente con esta bomba.

Inspeccione periódicamente la bomba y los componentes del sistema.

Use gafas de seguridad en todo momento cuando trabaje con bombas.

 **ADVERTENCIA** Riesgo de explosión. Cuerpo de la bomba puede explotar si se utiliza como una bomba de refuerzo.



## SUSTITUCIÓN DE UNA BOMBA VIEJA



**ADVERTENCIA** Desconecte la corriente de la antes de trabajar en la bomba o el motor.

1. Drenar y retirar la bomba vieja. Comprobar la tubería vieja por escala, la cal, el óxido, etc, y sustituirla si es necesario.
2. Instale la bomba en el sistema. Asegúrese de que todas las juntas de la tubería en la tubería de succión son herméticas así como estanco al agua.

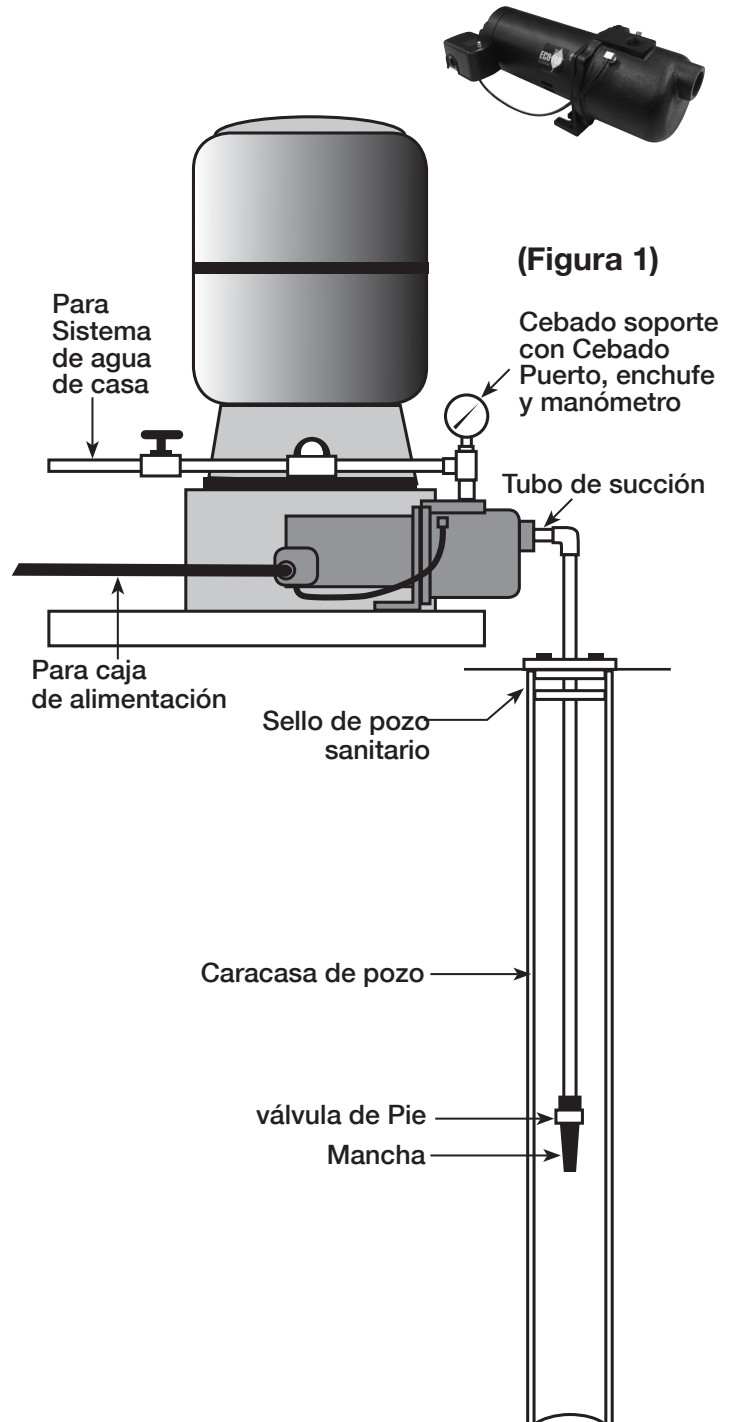
Si la tubería de aspiración aspira aire, la bomba no podrá sacar agua del pozo.

3. Ajuste la altura de montaje de la bomba de forma que las conexiones de plomería no ponen una tensión en el cuerpo de la bomba. Apoye la tubería para que el cuerpo de la bomba no se toma el peso de las tuberías o accesorios.

## INSTALACIONES DE BOMBA DE POZO SUPERFICIAL DEDICADO

### Instalación de pozo entubado (Figura 1)

1. Monte la bomba tan cerca del pozo como sea posible.
2. Montar la válvula de pie, filtro y la tubería del pozo. Asegúrese de que la válvula de retención funcione libremente.
3. Baje la tubería hacia el pozo hasta que el filtro se encuentre a cinco pies sobre el fondo del pozo. También debe ser de al menos 10 metros por debajo del nivel de agua del pozo.
4. Instale un sello sanitario.
5. Instale una T de cebado, tapón de cebado y el manómetro de la bomba del puerto de descarga. Conectar el tubo desde el pozo hasta el puerto de succión de la bomba, utilizando los menor número de conexiones posibles-especialmente los codos - aumentar la fricción en la tubería. La tubería de succión debe ser al menos tan grande como el puerto de succión de la bomba. Apoye la tubería para que no haya inclinaciones verticales o hundimientos en la tubería, por lo que de no forzar el cuerpo de la bomba, y para que no se incline ligeramente hacia arriba desde el pozo hacia la bomba. (Nota: No hacerlo puede crear bolsas de aire que impiden que la bomba funcione correctamente). Selle las juntas de la tubería de succión con rosca de tubo PTFE cinta selladora o una pasta de juntas a base de PTFE. Las juntas deben estar estancas al aire y estancas al agua. Si la tubería de aspiración aspira aire, la bomba no podrá sacar agua del pozo.
6. Vea las instrucciones en la página 8 para la conexión de la tubería de descarga al tanque.



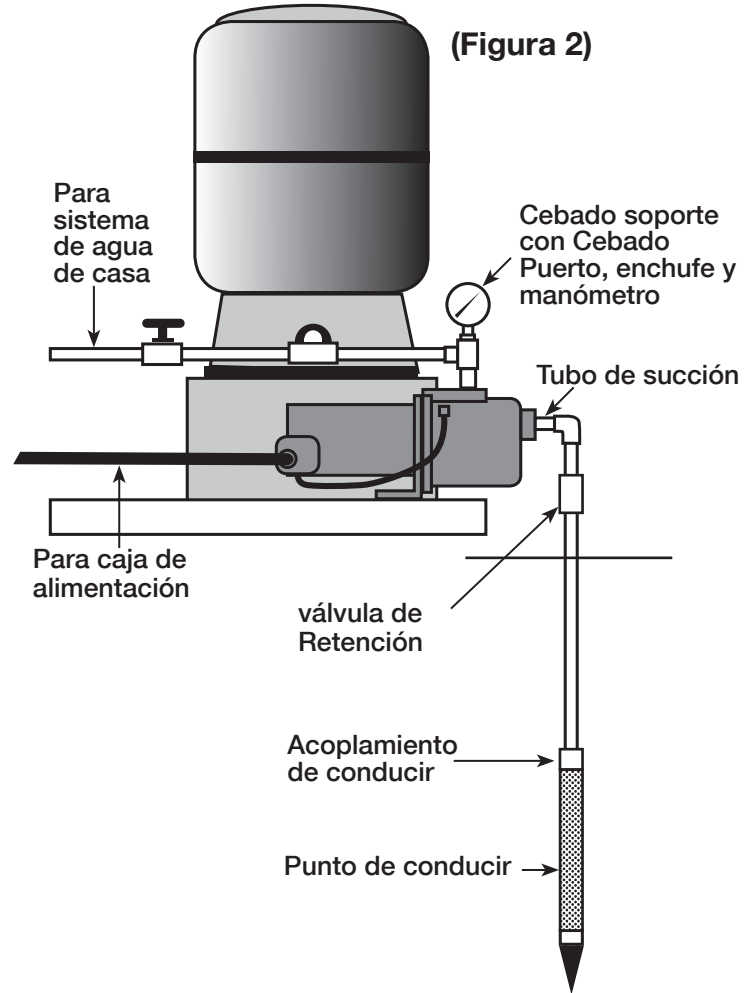
(Figura 1)

Para piezas o asistencia, llame a ECO-FLO Servicio al Cliente al 1-877 326-3561

# INSTALACIONES DE BOMBA DE POZO SUPERFICIAL DEDICADO

## Instalación del Punto Impulsado (Figura 2)

1. Conducir el punto de pozo utilizando “acoplamiento de unidad” y un “tope duro”. “Accesorios de la unidad” están roscadas a todo lo largo y permiten los extremos del tubo a tope uno contra el otro para que el motor de la mullar esté soportado por la tubería y no por el enroscado. Los accesorios comunes que se encuentran en las tiendas de hardware no están roscadas a todo lo largo y se pueden colapsar por el impacto. Las “conexiones de hincado” también son más suaves que las conexiones de tuberías estándar, haciendo más fácil penetración en el terreno.
2. Monte la bomba tan cerca del pozo como sea posible.
3. Utilice el menor número de conexiones posible (especialmente codos) al conectar la tubería desde el punto del pozo al puerto de succión de la bomba. La tubería de succión debe ser al menos tan grande como el puerto de succión de la bomba.
4. Instale una válvula de retención si su equipo no está equipado con una.
5. Instale una T de cebado, tapón de cebado y el manómetro de la bomba del puerto de descarga. Conectar el tubo desde el pozo hasta el puerto de succión de la bomba, utilizando los menor número de conexiones posibles-especialmente los codos - aumentar la fricción en la tubería. La tubería de succión debe ser al menos tan grande como el puerto de succión de la bomba. Apoye la tubería para que no haya inclinaciones verticales o hundimientos en la tubería, por lo que de no forzar el cuerpo de la bomba, y para que no se incline ligeramente hacia arriba desde el pozo hacia la bomba.  
(Nota: No hacerlo puede crear bolsas de aire que impiden que la bomba funcione correctamente). Selle las juntas de la tubería de succión con rosca de tubo PTFE cinta selladora o una pasta de juntas a base de PTFE. Las juntas deben estar estancas al aire y estancas al agua. Si la tubería de aspiración aspira aire, la bomba no podrá sacar agua del pozo.
6. Si un punto de pozo no proporciona suficiente agua, considere la conexión de dos o tres puntos, así que una tubería de succión.
7. Vea las instrucciones en la página 8 para la conexión de la tubería de descarga al tanque.



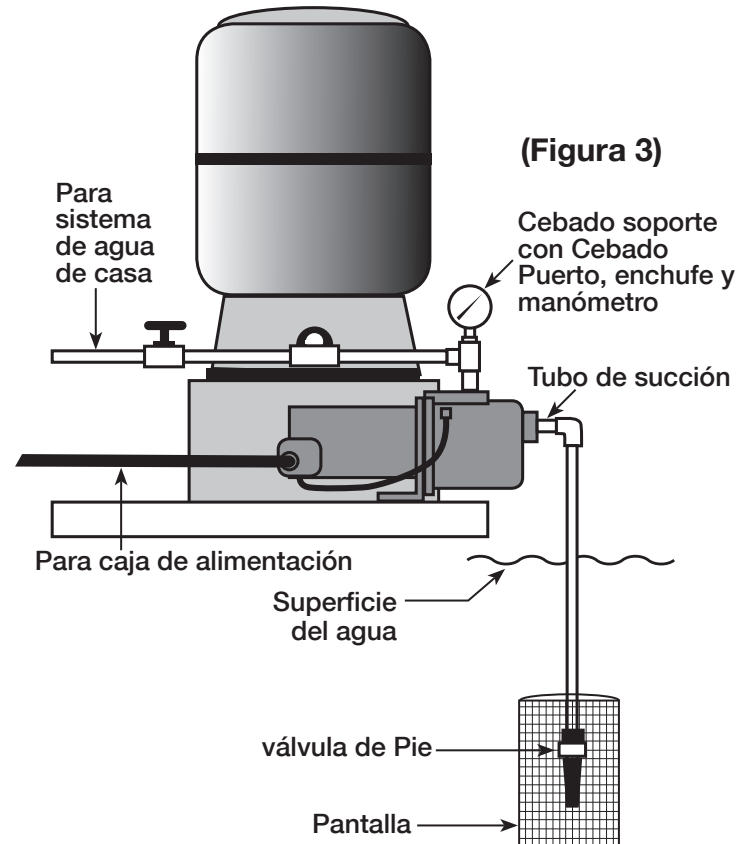
# INSTALACIONES DE BOMBA DE POZO SUPERFICIAL DEDICADO

## Instalación de agua de superficie (Figura 3)



Posible contaminación. No utilice agua superficial para beber. La instalación mostrada podría ser utilizada para aplicaciones de aspersión.

1. La bomba debe instalarse tan cerca del agua como sea posible, con las conexiones posible menor cantidad (especialmente codos) en la tubería de succión. La tubería de succión debe ser al menos tan grande como el puerto de succión de la bomba.
2. Montar una válvula de pie y filtro a la tubería de succión. Asegúrese de que la válvula de retención funcione libremente. Utilice PTFE rosca del tubo cinta selladora o una pasta de juntas a base de PTFE en juntas de tubería.
3. Instalar una pantalla para proteger el sistema de agua de dejar escombros entrar en el sistema.
4. Baje el tubo en el agua hasta que el filtro se encuentre a cinco pies sobre el fondo. También debe ser de al menos 10 metros por debajo del nivel de agua con el fin de evitar que la bomba aspire aire.
5. Instale una T de cebado, tapón de cebado y el manómetro de la bomba del puerto de descarga. Conectar el tubo desde el pozo hasta el puerto de succión de la bomba, utilizando los menor número de conexiones posibles-especialmente los codos - aumentar la fricción en la tubería. La tubería de succión debe ser al menos tan grande como el puerto de succión de la bomba. Apoye la tubería para que no haya inclinaciones verticales o hundimientos en la tubería, por lo que de no forzar el cuerpo de la bomba, y para que no se incline ligeramente hacia arriba desde el pozo hacia la bomba.  
(Nota: No hacerlo puede crear bolsas de aire que impiden que la bomba funcione correctamente). Selle las juntas de la tubería de succión con rosca de tubo PTFE cinta selladora o una pasta de juntas a base de PTFE. Las juntas deben estar estancas al aire y estancas al agua. Si la tubería de aspiración aspira aire, la bomba no podrá sacar agua del pozo.
6. Las juntas deben ser herméticas y estancas al agua. Si la tubería de aspiración aspira aire, la bomba no podrá sacar agua de la fuente de agua.
7. Vea las instrucciones en la página 8 para la conexión de la tubería de descarga al tanque.



# INSTALACIONES DE BOMBA DE POZO NUEVO CONVERTIBLE



Una bomba de chorro convertible se puede utilizar ya sea en aplicaciones de pozos de poca profundidad, es decir, 0-25 'o en aplicaciones de pozos profundos, es decir, 26' a 75 '. Ambas medidas son desde el puerto de entrada de la bomba a la fuente de agua. La bomba se puede

Cuando se instala correctamente la bomba de chorro debe proporcionar el siguiente comportamiento:

POZO SUPERFICIAL DE 4 "de diámetro Aplicación del Pozo- rendimiento de la bomba \*

MODELO	HP	VOLTAJE DEL MOTOR	AJUSTES DEL INTERRUPTOR DE PRESIÓN	BOMBA DE DISTANCIA POR ENCIMA DE AGUA					PRESIÓN DE CIERRE EN LAS MÁXIMAS PROFUNDIDAD
				5'	10'	15'	20'	25'	
EFCWJ5-A	1/2	115/230	30-50	6.4	5.4	5.2	4.5	4	57 PSI
EFCWJ7-A	3/4	115/230	30-50	10.1	9.1	8.3	7.5	7.0	56 PSI
EFCWJ10-A	1	115/230	30-50	14.8	12.0	10.8	9	8.7	60 PSI

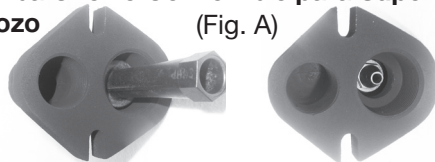
\* El rendimiento se muestra en GPM (galones por minuto) a 40 PSI (libras por pulgada cuadrada) de presión de descarga

POZO PROFUNDO PARA 4 "de diámetro Aplicación del Pozo- rendimiento

MODELO	HP	VOLTAJE DEL MOTOR	AJUSTES DEL INTERRUPTOR DE PRESIÓN	BOMBA DE DISTANCIA POR ENCIMA DE AGUA										PRESIÓN DE CIERRE EN LAS MÁXIMAS.
				20'	30'	40'	50'	60'	70'	80'	90'	100'	110'	
EFCWJ5-A	1/2	115/230	30-50	4.5	3.5	2.8	2.3	1.7	-	-	-	-	-	54 PSI
EFCWJ7-A	3/4	115/230	30-50	7.5	6.5	5.1	4.0	3.0	2.5	1.8	1.5	1.0	-	56 PSI
EFCWJ10-A	1	115/230	30-50	9.0	8.4	7.3	6.2	5.0	4.4	2.9	2.0	-	-	56 PSI

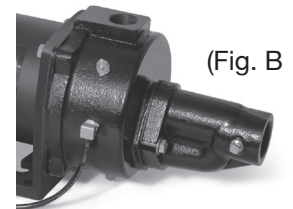
\* El rendimiento se muestra en GPM (galones por minuto) a 40 PSI (libras por pulgada cuadrada) de presión de descarga.

## Preparación de la bomba Chorro Convertible para Superficie Aplicación Del Pozo (Fig. A)



1. Tenga en cuenta que la boquilla se utiliza en ambas aplicaciones de pozo de superficie y así como pozo profundo de poca profundidad y se instala en el eyector de fundición en la fábrica (Fig. A).
2. Utilice el extremo grande de uno de los tubos de venturi como una llave para asegurar la boquilla es apretado en el alojamiento de eyector. La boquilla debe ser apretada a mano y un cuarto de vuelta más con una llave, un par de pinzas o el tubo venturi.
3. Seleccione el tubo venturi marcado con la potencia de su motor de la bomba, es decir, 1/2 HP o 3/4 HP, etc, o marcado con "SW" denota para aplicaciones de pozos poco profundos.

4. Instale el tubo de venturi en la caja de expulsión. (Fig.A)
5. Apriete el tubo venturi en el dedo de fundición apretado y un cuarto de vuelta adicional con una llave o unos alicates.
6. Montar el eyector a la bomba del pozo convertible colocando la junta entre el eyector y el cuerpo de la bomba de chorro (Fig. B).
7. Asegure el eyector para el cuerpo de la bomba con los tornillos suministrados con el kit de expulsión.
8. Asegúrese de que los tornillos estén bien apretados.
9. Ya ha completado el montaje de la bomba de chorro convertible para aplicaciones de pozos poco profundos.
10. Instale la bomba y el equilibrio de los accesorios de la bomba, es decir, soportes, medidores, etc, siguiendo las instrucciones asociadas con las figuras 1, 2 y 3.

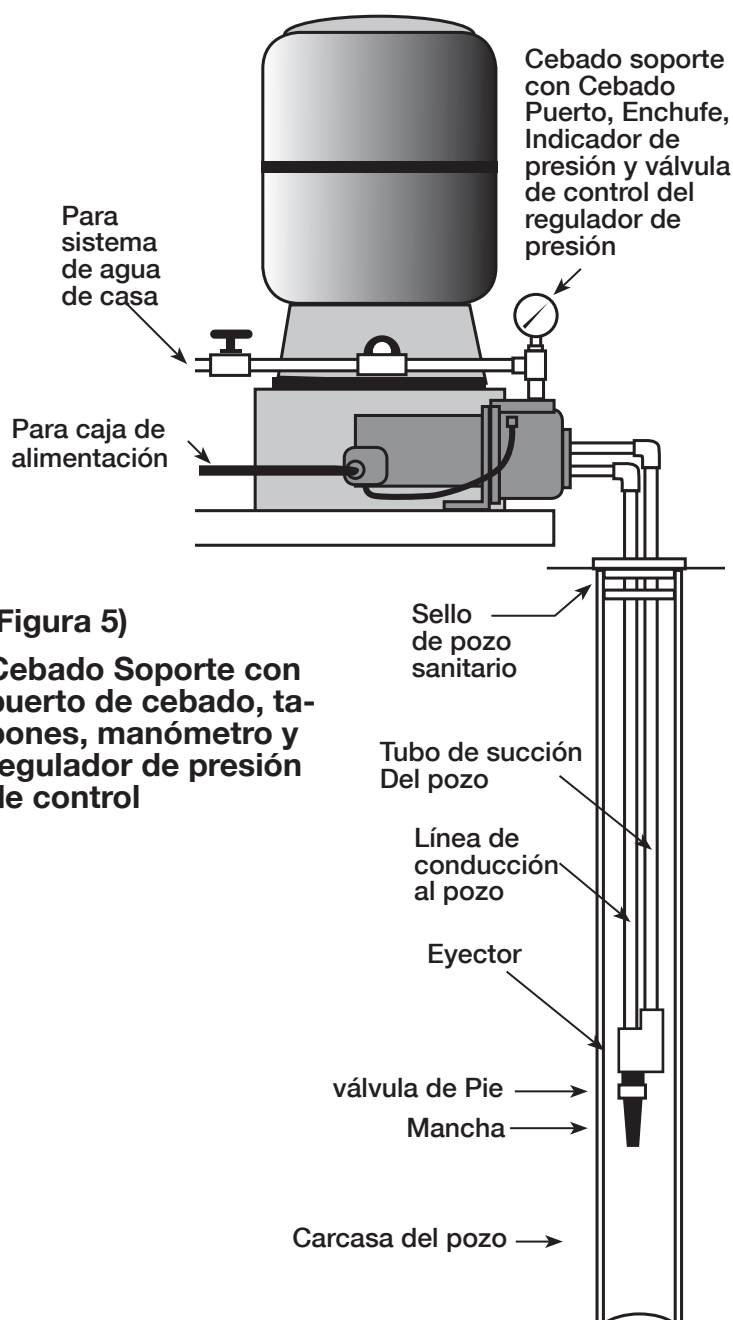


Para piezas o asistencia, llame a ECO-FLO Servicio al Cliente al 1-877 326-3561

## INSTALACIONES DE BOMBA DE POZO NUEVO CONVERTIBLE

### Preparación de la bomba Chorro Convertible para Aplicación de pozo profundo, es decir, 26 a 75 ‘, pozos de 4” diámetro. (Figura 5)

1. Instale la válvula de control del regulador de presión con manómetro, y otros accesorios (ver fig. 5). Montar en el puerto de descarga de la bomba.
2. Prepare el eyector.
3. Tenga en cuenta que la boquilla está instalada en la fábrica en el cuerpo eyector (ver fig A, página 6).
4. Seleccione e instale el tubo venturi marcado con un DW, es decir, DW denota pozo profundo, de nuevo como se ha descrito anteriormente en aplicaciones de pozos profundos. (ver fig A, página 6)
5. Instale un tubo corto y la válvula de pie para el extremo de entrada del eyector para asegurar que los tubos no pierden agua, es decir siguen preparados cuando el motor de la bomba de chorro está apagado.
6. Usando la tubería adecuada para cada puerto en el eyector, instalar tubería en el eyector (Figura 5) y comenzar a bajar en la fuente de agua a la profundidad que haya determinado optimizará el rendimiento de agua de la bomba.
7. Tenga en cuenta que las tuberías serán de dos tamaños diferentes para optimizar el rendimiento de la bomba de chorro. Una tubería será 1 “y el otro será de 1-1 / 4” de diámetro.
8. Conecte los extremos opuestos de los tubos para las lumbreras de admisión de la bomba de chorro (vea la Figura 5).
9. Instale un sello sanitario y conectar la tubería de expulsión de la bomba. Utilice los pezones de acero a través del sello del pozo con tubo de polietileno flexible para evitar el aplastamiento de la tubería de plástico para apretar la junta.
10. Soporte la tubería para que no haya inclinaciones verticales o hundimientos en la tubería, por lo que no ejerza presión sobre el cuerpo de la bomba, y para que no se incline ligeramente hacia arriba desde el pozo hacia la bomba (los puntos altos pueden causar bolsas de aire que pueden bloquear la bomba). Selle las juntas de la tubería de succión con rosca de tubo PTFE cinta selladora o una pasta de juntas a base de PTFE. Las juntas deben ser herméticas y estancas al agua. Si el tubo de succión succiona aire, la bomba no podrá sacar agua del pozo.
11. Ahora ya está listo para cebar la bomba según las instrucciones en la página 10.
12. Vea las instrucciones en la página 8 para la conexión de la tubería de descarga al tanque.



**(Figura 5)**  
**Cebado Soporte con puerto de cebado, tapones, manómetro y regulador de presión de control**

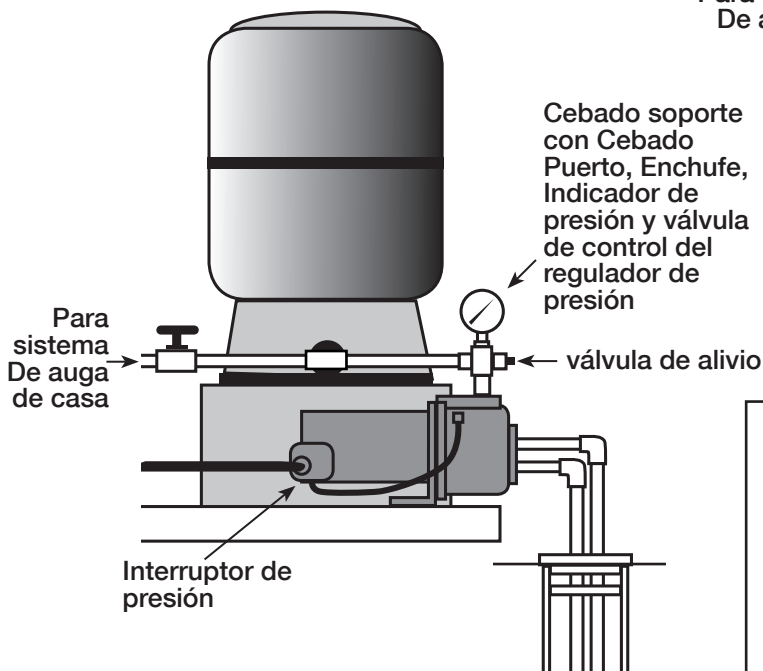


## CONEXIONES DE TUBERÍA DE DESCARGA Y TANQUE DE PRESIÓN

### Conectar la bomba de descarga a conexiones del tanque cargado previamente (Figura 6)

1. Instale dos soportes en el puerto de descarga de la bomba. El tamaño de la tubería debe ser al menos tan grande como el puerto de descarga.
2. Ejecute un tubo de un brazo de la T en el puerto de descarga de la bomba hasta el final de la T instalado en el tanque de pre-cargada.
3. Conecte el otro extremo de la camiseta del tanque para su sistema de plomería.
4. Tape las aberturas restantes en los soportes de salida con unos tapones roscados o un medidor de presión.
5. Compruebe la presión de aire en el tanque usando un manómetro de ordinario.
6. La presión de aire debe ser de 2 PSI menos que el corte en el ajuste del interruptor de presión de la bomba.
7. La presión del tanque de pre-carga se mide cuando no hay agua en el tanque.
8. Por ejemplo, si su bomba tiene un interruptor de presión de 30/50 PSI, la bomba se enciende cuando la presión en la línea cae a 30 PSI (corte de la presión) y se apagará cuando la presión en la línea aumenta a 50 PSI (cortadas presión). La presión de aire en el tanque debe fijarse en 28 PSI, (30-2)

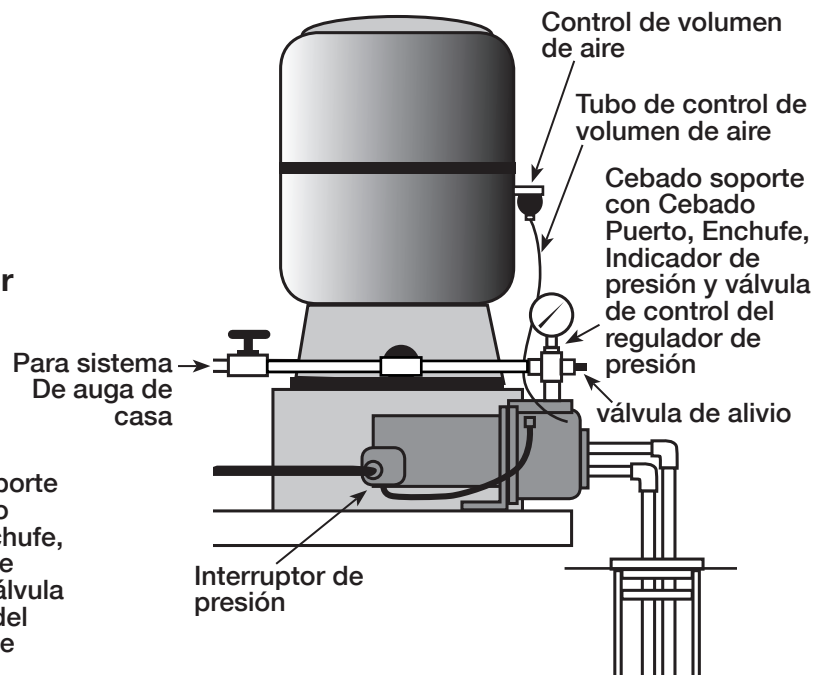
### (Figura 6) Conexiones del tanque cargado previamente soporte de cebado con puerto de cebado, tapones, manómetro y regulador de presión de control



### Conexión de Descarga de la Bomba para tanque estándar (Figura 7)

1. Instale dos soportes en el puerto de descarga de la bomba.
2. Ejecute un tubo de un brazo de la T instalada en el puerto de descarga de la bomba hasta el final de la T instalado en el tanque.
3. Conecte el otro extremo de la T del tanque a la tubería
4. Instalar en otra abertura de la bomba soportes un reductor casquillo hasta 1/8 "NPT en el soporte. Ejecutar tubos desde el soporte hasta el puerto sobre el control de volumen de aire (AVC) montado sobre el tanque.
5. Tape las aberturas restantes con un tapón roscado o manómetro.
6. Selle todas las uniones con rosca de tubo PTFE cinta selladora o una pasta de juntas a base de PTFE. Consulte las instrucciones proporcionadas con el tanque y el AVC para más detalles.
7. Vierta agua en la bomba.

### (Figura 7) Conexiones del Tanque Estándar



#### Juntas de la tubería de sellado

Use sólo tubería PTFE cinta selladora de roscas o PTFE con sede en compuestos para juntas para hacer todas las conexiones roscadas a la propia bomba. No use compuestos para juntas de tuberías en bombas de plástico: estos pueden reaccionar con el plástico en los componentes de la bomba. Asegúrese de que todas las juntas de la tubería en la tubería de succión son herméticas y estancas. Si el tubo de succión puede succionar aire, la bomba no podrá sacar agua del pozo.

Para piezas o asistencia, llame a ECO-FLO Servicio al Cliente al 1-877 326-3561



**!** Desconecte la alimentación antes de trabajar en la bomba, el motor, el interruptor de presión o cableado

**PRECAUCION** El motor puede estar caliente. Dejar enfriar 20 minutos.

**PRECAUCION** La presión del agua puede haber acumulada en las bombas, tuberías y / o depósito. Drenar el agua para aliviar la presión.

### Configuración del interruptor del motor (Figura 8)

Los motores están diseñados para funcionar con corriente de 115 voltios o de 230 voltios. Asegúrese de cables del motor se unen correctamente al panel de control del motor para la tensión requerida.

### Interruptor de presión cableado

Conecte los cables de la fuente de alimentación al interruptor de presión siguiendo las instrucciones que se facilitan en la tapa del interruptor de presión, es decir, quite la tapa del interruptor de presión y siga las instrucciones de cableado debajo de la tapa de cubierta. Asegúrese de conectar el cableado del interruptor de presión para el motor.

### Cableado del Motor (Figura 9)

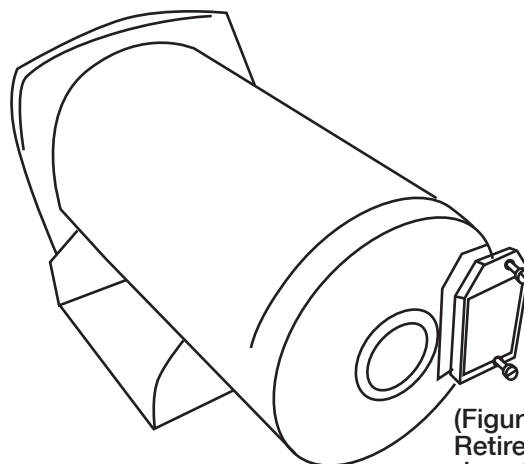
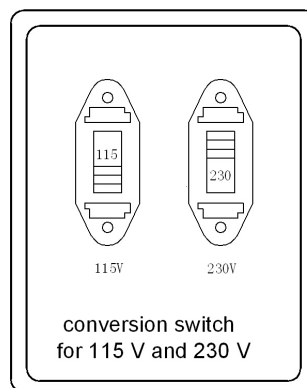
Conecte los cables entre el interruptor de presión y del motor garantizando los cables están conectados al motor para la tensión adecuada fuente de energía eléctrica, o sea 115V o 230V- ver los diagramas de cableado de esta guía o bajo la cubierta del motor. Asegúrese de poner a tierra el interruptor de presión al motor. Ensure to ground the pressure switch to the motor.

### Cableado

**ADVERTENCIA** Riesgo de choque eléctrico.

1. Utilice el tamaño de cable se especifica en el Cuadro de Cables (abajo). Si es posible, conecte la bomba a un circuito derivado separado sin otros aparatos conectados al mismo.
2. No efectúe la conexión a una línea de suministro de gas.
3. motor de alambre de acuerdo con el diagrama de la placa de identificación del motor.
4. Si diagrama difiere del diagrama anterior, siga el diagrama placa de identificación.
5. Si este procedimiento o los diagramas de cableado

Figura 8



(Figura 9)  
Retire Placa de extremo del Motor

son confusas, consulte a un electricista autorizado.

6. Para evitar choques eléctricos peligrosos o fatales, apague el motor antes de trabajar en las conexiones eléctricas.
7. Conecte el motor a tierra antes de conectar a la fuente de alimentación eléctrica. La falta de motor a tierra puede causar un peligro de descarga eléctrica grave o mortal.
8. La tensión de alimentación debe estar dentro +/- 10% del voltaje nominal. Una tensión incorrecta puede causar un incendio o daños en el motor y anula la garantía. Si tiene dudas, consulte a un electricista con licencia.

### Gráfico de cableado de tamaño recomendado de cable y fusible para 115 y 230 voltios

MOTOR HP	VOLTS	MAX.CARGA AMP	TASA DE FUSIBLE SUCURSAL AMP	AWG MIN Tamaño del CABLEE (mm <sup>2</sup> )	DISTANCIA EN PIES DE MOTOR AL SUMINISTRO				
					0-100	101-200	201-300	301-400	401-500
					AWG TAMAÑO DE ALAMBRE (mm <sup>2</sup> )				
1/2	115/230	10.6/6.5	15/15	12/14 (3/2)	12/14 (8.4/2)	8/14 (2/2)	6/14 (14/2)	6/12 (14/3)	4/10 (21/5.5)
3/4	115/230	11/6.6	20/15	10/14 (5.5/2)	12/14 (8.4/2)	8/14 (8.4/2)	6/12 (14/3)	4/10 (21/5.5)	4/10 (21/5.5)
1	115/230	11.8/6.7	25/15	10/14 (5.5/2)	6/14 (14/2)	8/14 (8.4/2)	6/12 (14/3)	4/10 (21/5.5)	4/10 (21/5.5)



## OPERATION



**Presión Peligrosos,** Instale una válvula de alivio de presión en la tubería de descarga. Libere toda la presión del sistema antes de trabajar

### PREPARACIÓN PARA INICIAR LA BOMBA - POZO SUPERFICIAL



**ADVERTENCIA** **Riesgo de quemaduras.** Nunca haga funcionar la bomba en seco. Si la bomba funciona sin agua puede provocar la bomba se sobrecaliente, dañar el sello y tal vez causar quemaduras a las personas que la estén manejando. Llene la bomba con agua antes de comenzar.



**PRECAUCION** **Asegúrese de que la bomba está llena de agua antes de arrancar el motor.**



**PRECAUCION** **Peligro de explosión y quemaduras**

Nunca haga funcionar la bomba hacia una descarga cerrada. Para ello se puede hervir el agua dentro de la bomba, causando presión peligrosa en la unidad, riesgo de explosión y posibles personas hirvientes manejando.

1. Abra la válvula de control en la medida de lo posible. A continuación, retire el tapón de cebado de la bomba y llenar la bomba, llene toda la tubería entre la bomba y el pozo, y asegúrese de que toda la tubería del pozo está lleno. Si también ha instalado una camiseta cebado en la tubería de succión, retire el enchufe de la camiseta y llenar la tubería de succión.
2. Reemplace todos los tapones de llenado. Deje la válvula abierta de control (en una instalación de pozos poco profundos, la válvula de control se mantiene siempre abierta).

3. Encienda la energía eléctrica en!
4. en marcha la bomba. La bomba debe bombear el agua en dos o tres minutos.
5. Si usted no tiene agua después de 2 o 3 minutos, detenga la bomba y retire los tapones. Vuelva a llenar la bomba y la tubería. Puede que tenga que repetir esto dos o tres veces con el fin de sacar todo el aire atrapado en la tubería. La válvula de control permanece abierta durante todo este procedimiento.
6. Después de la bomba ha producido presión en el sistema y esté apagada, verifique el funcionamiento del interruptor de presión abriendo una llave o dos y dejando correr suficiente agua para descargar la presión hasta que la bomba arranque. Si su chorro tiene un interruptor de 30/50 de presión, la bomba debe arrancar cuando la presión caiga a 30 PSI y se detendrá cuando la presión llega a 50 PSI. Haga funcionar la bomba a través de uno o dos ciclos completos para verificar su correcto funcionamiento. Eso también ayudará a limpiar el sistema de polvo y basura durante la instalación.

### PREPARACIÓN PARA INICIAR LA BOMBA - POZO PROFUNDO



**ADVERTENCIA** **Riesgo de quemaduras** Funcionamiento de la bomba sin agua puede provocar sobrecaliente de la bomba, dañar el sello y causar posibles quemaduras a las personas. Llene la bomba con agua antes de iniciarla.



**PRECAUCION** **Asegúrese de que la bomba está llena de agua antes de arrancar el motor.**



**ADVERTENCIA** **Riesgo de explosión y quemadura** Nunca haga funcionar la bomba en seco. Si la bomba funciona sin agua puede provocar la bomba se sobrecaliente, dañar el sello y tal vez causar quemaduras a las personas que la estén manejando. Llene la bomba con agua antes de comenzar.

1. Abra la válvula de control del regulador de presión en la medida de lo posible. A continuación, retire el tapón de cebado de la bomba y llenar la bomba, llenando toda la tubería entre la bomba y el pozo, y asegúrese de que toda la tubería del pozo está llena. Si también ha instalado una camiseta cebado en la tubería de succión, retire el enchufe de la camiseta y llenar la tubería de succión.
2. Reemplace todos los enchufes.
3. Encienda!
4. Marcha la bomba y observe el manómetro. La presión debe subir rápidamente a 50 PSI como los primos de la bomba.

Retire los tapones, y volver a llenar la bomba y la tubería. Puede que tenga que repetir esto dos o tres veces con el fin de sacar todo el aire atrapado en la tubería.

5. Abra varios grifos en la residencia para permitir el flujo de agua y para liberar el aire atrapado. Después de 2 o 3 minutos, el medidor debe mostrar la presión. Si no es así, detener la bomba,
6. Cuando la presión del agua ha creado y es mantenido por la bomba, cierre lentamente la válvula de control del regulador de presión mientras se ve la aguja del manómetro. Continuar cerrando la válvula hasta que vea la aguja del manómetro comienza a revo lotear. Si la aguja empieza a revolotear, abrir lentamente la válvula lo suficiente para detener el aleteo. Su bomba está operando a su máxima eficiencia.
7. grifos Cierre todos. Después de la bomba ha producido presión en el sistema y esté apagada, verifique el funcionamiento del interruptor de presión abriendo una llave o dos y dejando correr suficiente agua para descargar la presión hasta que la bomba arranque. Si su chorro tiene un interruptor de 30/50 de presión, la bomba debe arrancar cuando la presión caiga a 30 PSI y se detendrá cuando la presión llega a 50 PSI. Haga funcionar la bomba a través de uno o dos ciclos completos para verificar su correcto funcionamiento. Esto también le ayudará a limpiar el sistema de polvo y basura durante la instalación.

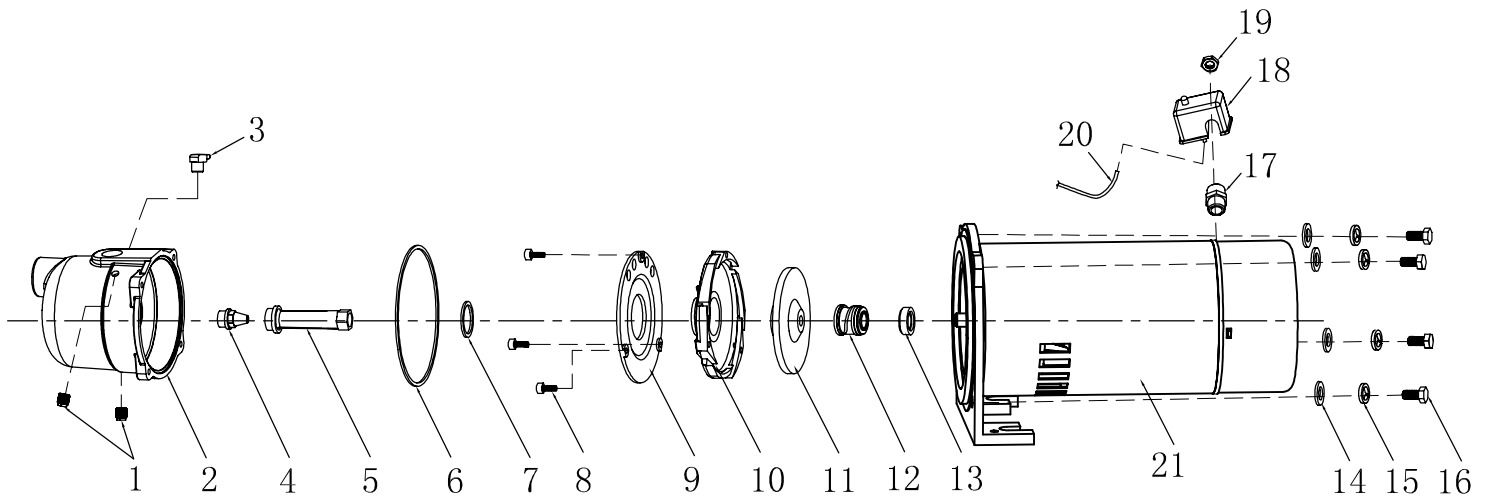
**Para piezas o asistencia, llame a ECO-FLO Servicio al Cliente al 1-877 326-3561**

# SOLUCIÓN DE PROBLEMAS

SISTEMA	CAUSA (S) POSIBLE	ACCIÓN CORRECTIVA
El motor no funciona	El fusible está quemado o el disyuntor activado	Reemplace el fusible o reinicie el disyuntor.
	Interruptor de arranque está defectuoso	DESCONECTE LA ENERGÍA; Reemplace el interruptor de partida
	Alambres de motor están sueltos, desconectados, o cableada de forma incorrecta	Consulte las instrucciones sobre el cableado (Página 9). DESCONECTE LA ENERGÍA; revisar y apretar todo el cableado. (Señal de ADVERTENCIA) Tensión peligrosa. Voltaje del capacitor puede ser peligroso. Para descargar el capacitor, mantenga mango del destornillador aislado POR EL MANGO y terminales corto condensador juntos. No toque los terminales de cuchilla destornillador o condensadores de metal. En caso de duda, consulte a un electricista calificado.
El motor funciona caliente y sobrecarga comienza	El motor está conectado en forma incorrecta	Consulte las instrucciones sobre el cableado.
	El voltaje es demasiado bajo	Verifique con la compañía eléctrica. Instale el cableado pesado si el tamaño del cable es demasiado pequeño (Ver Cuadro Eléctrico / Cableado)
	La bomba funciona con demasiada frecuencia	Vea la sección siguiente sobre el ciclismo demasiado frecuente.
El motor funciona pero no hay agua se entrega *	Bomba en la nueva instalación no imprimió debido a: 1. Pipes no se llenaron con agua 2. Las fugas de aire 3. Fugas en la válvula de pie o válvula de retención	En la nueva instalación: 1. Re-prime de acuerdo a las instrucciones. 2. Revise todas las conexiones en la línea de succión y AVC con crema de afeitar. 3. Reemplace la válvula de pie o válvula de retención.
	Bomba ha perdido el cebado mediante: 1. Las fugas de aire 2. nivel de agua por debajo de entrada de la tubería de succión 3. cheque del pie o de la válvula defectuosa.	En la instalación ya en uso: 1. Revise todas las conexiones en la línea de succión y el sello del eje. 2. Baje la línea de succión en agua y cebó de nuevo. Si retroceso del nivel de agua en el pozo excede 25 '(7.6MO, se necesita una bomba de pozo profundo. 3. Reemplace la válvula defectuosa.
	válvula de pie o colador está enchufado	Limpia válvula o colador
	El eyector o el impulsor está obstruido	Limpie el eyector o el impulsor.
	La válvula de retención o válvula de pie está cerrada atascado	Reemplace la válvula de retención o válvula de pie.
	Los tubos se congelaron	Tubos de descongelación. Entierre las tuberías por debajo de la línea de enfriamiento. Pit calor o casa de la bomba.
	válvula de pie y / o colador están enterrados en la arena o el barro	Elevar la válvula y / o colador de pie por encima de la parte inferior de la fuente de agua. Limpia válvula y el filtro.
* Detenga la bomba; a continuación, compruebe el cebado antes de buscar otras causas. Desenrosca el tapón de cebado y ver si el agua está en el agujero de cebado	El nivel del agua es demasiado bajo para la configuración de pozo superficial para suministrar agua	Se necesitará un chorro de pozo profundo si su pozo es más de 25 '(profundidad 7.6MO al agua.
	Bomba no entrega agua a plena capacidad (Compruebe también el punto 3 inmediatamente anterior)	El nivel del agua en el pozo es menor de lo estimado. Puede ser necesaria una nueva combinación de boquilla y venturi.
	Tuberías de acero (si se utiliza) está corroído o encalados, causando exceso de fricción	Reemplazar con tubería de plástico cuando sea posible, de lo contrario con la nueva tubería de acero.
Bomba suministra agua, pero no se apaga o ciclos de bombeo con demasiada frecuencia	La tubería es demasiado pequeña en tamaño	Utilice tuberías más grande.
	El interruptor de presión está fuera de ajuste o contactos están soldados juntos	DESCONECTE LA ENERGÍA; ajustar o reemplazar el interruptor de presión
	Grifos se han dejado abiertos	Cerrar de los grifos
	Venturi, boquilla o impulsor está obstruido	Limpie el venturi, boquilla o impulsor
	Tanque de presión estándar es inundado y no tiene colchón de aire	Drene el tanque de puerto de control de volumen de aire. Compruebe AVC para los defectos. Revise todas las conexiones en busca de fugas.
	Tubos de fugas	Verifique las conexiones.
	Fugas en la válvula de pie	Reemplace la válvula de pie.
	El interruptor de presión está fuera de ajuste	Ajuste o reemplace el interruptor de presión.
Carga de aire demasiado baja en el tanque pre-cargado	Desconecte la energía y los grifos abiertos hasta que se libere toda la presión. El uso de calibrador de presión de los neumáticos, comprobar la presión de aire en el tanque en el vástago de la válvula situada en el tanque. Si es menor que el interruptor de presión de corte en el establecimiento (30-50 PSI), la bomba de aire en el tanque de la fuente externa hasta que la presión del aire es 2 PSI menos de corte en la posición del interruptor. La válvula de retención de aire en busca de fugas (solución de uso jabonosa) y reemplazar núcleo si es necesario.	
Aire brota de los grifos	La bomba no está cebada	Cuando la bomba se ha recuperado de primera, debe bombear agua en estado sólido, sin aire.
	Fuga en el lado de succión de la bomba	La tubería de succión está succionando aire. Compruebe si hay fugas de juntas con crema de afeitar.
	El pozo es gaseoso	Consulte a la fábrica sobre la instalación de una manga en el pozo.
	Intermitente exceso de bombeo de pozo. (Agua dispuesto debajo de la válvula de pie.)	Válvula inferior del pie, si es posible, de lo contrario restringir descarga de la bomba.

**Para piezas o asistencia, llame a ECO-FLO Servicio al Cliente al 1-877 326-3561**

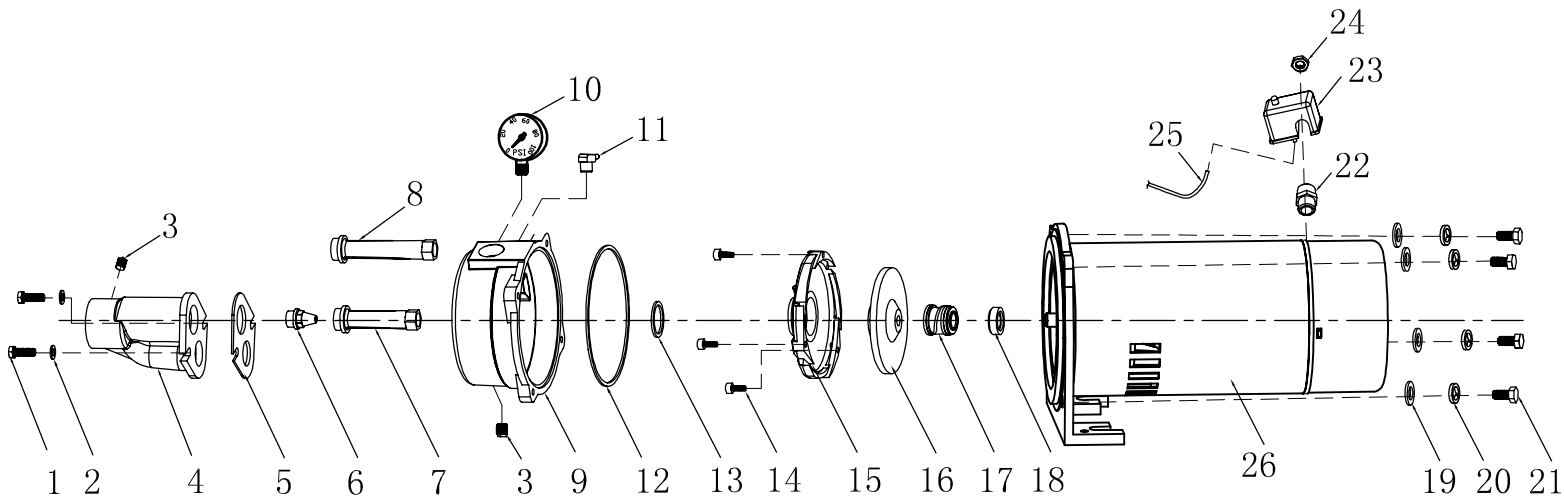
# BOMBA DE POZO SUPERFICIAL PIEZAS DE REPUESTO



NO.	CANTIDAD	NÚMERO DE PIEZAS	DESCRIPCION
1	2	EFSWJ0501	Enchufe (1 / 4-18NPT)
2	1	EFSWJ0502	Voluta
3	1	EFSWJ0503	Adaptador
4	1	EFSWJ0504	Boquilla
5	1	EFSWJ0505	Tubo Venturi
6	1	EFSWJ0506	O-Anillo de la voluta
7	1	EFSWJ0507	O-Anillo de Venturi Tubo
8	3	EFSWJ0508	Perno (1/4-2 onnc)
9	1	EFSWJ0509	Placa
10	1	EFSWJ0510	Placa de tapa del impulsor
11	1	EFSWJ0511	Impulsor por 1/2 HP
	1	EFSWJ0711	Impulsor por 3/4 HP
	1	EFSWJ1011	Impulsor por 1 HP
12	1	EFSWJ0512	Anillo de Acción de sello mecánico
13	1	EFSWJ0513	Anillo Quiet de sello mecánico
14	4	EFSWJ0514	Arandela de Llanura (Ø10)
15	4	EFSWJ0515	Arandela de primavera (Ø10)
16	4	EFSWJ0516	Tornillo
17	1	EFSWJ0517	Interruptor Adaptador / Presión
18	1	EFSWJ0518	Interruptor de presión
19	1	EFSWJ0519	tuerca/adaptador
20	1	EFSWJ0520	Tubo de presión
21	1	EFSWJ0521	1/2 HP Motor
	1	EFSWJ0721	3/4 HP Motor
	1	EFSWJ1021	1 HP Motor

Para piezas o asistencia, llame a ECO-FLO Servicio al Cliente al 1-877 326-3561

# BOMBA CONVERTIBLE DE POZO PROFUNDO PIEZAS DE REPUESTO



NO.	CANTIDAD	NÚMERO DE PIEZAS	DESCRIPCIÓN
1	2	EFCWJ0501	Tornillo (3/8-16 UNC)
2	2	EFCWJ0502	Arandela
3	2	EFCWJ0503	Enchufe (1/4-18NPT)
4	1	EFCWJ0504	eyector
5	1	EFCWJ0505	Junta de eyector
6	1	EFCWJ0506	Boquilla
7	1	EFCWJ0507	Venturi Tubo para 1/2 HP
		EFCWJ0707	Venturi Tubo para 3/4 HP
		EFCWJ1007	Venturi Tubo para 1 HP
8	1	EFCWJ0508	Tubo largo
9	1	EFCWJ0509	Voluta
10	1	EFCWJ0510	Indicador de presión
11	1	EFCWJ0511	Adaptador
12	1	EFCWJ0512	O-anillo de la voluta
13	1	EFCWJ0513	O-anillo de Venturi Tubo
14	3	EFCWJ0514	Perno
15	1	EFCWJ0515	Placa de Guía
16	1	EFCWJ0516	Impulsor para 1/2 HP
		EFCWJ0716	Impulsor para 3/4 HP
		EFCWJ1016	Impulsor para 1 HP
17	1	EFCWJ0517	Anillo de Acción de sello mecánico
18	1	EFCWJ0518	Anillo Quiet de sello mecánico
19	4	EFCWJ0519	Arandela de Llanura (Ø10)
20	4	EFCWJ0720	Arandela de primavera (Ø10)
21	4	EFCWJ0521	Tornillo
22	1	EFCWJ0522	Interruptor Adaptador / Presión
23	1	EFCWJ0523	Interruptor de presión
24	1	EFCWJ0524	tuerca/adaptador
25	1	EFCWJ0525	Tubo de presión
26	1	EFCWJ0507	1/2 HP Motor
		EFCWJ0707	3/4 HP Motor
		EFCWJ1007	1 HP Motor

Para piezas o asistencia, llame a ECO-FLO Servicio al Cliente al 1-877 326-3561

## PAQUETE EYECTOR

Las piezas de repuesto están disponibles para los juegos de eyectores - véase lista de piezas a continuación. Un kit de expulsión completa, incluyendo componentes para aplicaciones tanto así someras y profundas también está disponible - para 090JEJE001 - Vea la imagen inferior

### Instalación para pozos poco profundo

### Instalación de pozo profundo (4 "Pozos)



AVISO: Tenga cuidado de no dañar la superficie de sellado (marcado "Surface B" en el dibujo de arriba) o puede presentar fugas internas

### EFCWJ (hierro fundido) Series Pozo superficial

### Pozo profundo

Item Descripción	Tono P/N	Identificar No.	Tono P/N	Identifying No
Cuerpo de Ejector	62JET0505	1	62JET0505	1
Boquilla	60JET0505	2	60JET0505	2
Venturi, pozo superficial (1/2 HP)	60JET0504	1/2HP	60JET0503	DM
Venturi, pozo superficial (3/4 HP)	60JET0702	3/4HP		
Venturi, pozo superficial (1 HP)	60JET1002	1HP		
Junta	63JET0503	3	63JET0503	3
Tapón de tubería	62JET0504	4	62JET0504	4
Tornillo de cabeza hueca (2 bis)	4A3D05C14	5	4A3D05C14	5

**Para piezas o asistencia, llame a ECO-FLO Servicio al Cliente al 1-877 326-3561**



## ASAMBLEA DE BOMBA DE CHORRO/TANQUE



### Tanque

1. Retire el tanque de su caja.
2. El uso de un medidor de presión de neumáticos, comprobar el aire en el tanque. Puede ser necesario ajustar una vez que conozca la configuración de interruptor de presión de la bomba de encendido / apagado (ver número 3 a continuación).

### Bomba

1. Retire la bomba de su caja.
2. Conserve el manual del propietario de la bomba.
3. Quite la cubierta del interruptor de presión de la bomba, y leer los ajustes de activación / apagado de la parte inferior de la tapa del interruptor de presión. Normalmente las lecturas son:
  - a. Bomba (motor) sobre la presión: 30 PSI (libras por pulgada cuadrada);
  - b. Bomba (motor) de presión: 50 PSI.
4. Una vez que sepa el giro en las presiones de activación / desactivación, alterar la presión de aire en el tanque de pre-carga vacía para 2 (dos) PSI por debajo de la presión "on", es decir, a 28 PSI.
5. Es crítico que la presión en el tanque de ser 2 PSI por debajo de la "giro tanque" en la presión

### Equipo de montaje

1. Retire el contenido del equipo y clasifíquelos en grupos.

### Montaje del tanque de chorro

1. Monte el chorro en el tanque de asegurar el avión con los 4 pernos, arandelas y tuercas proporcionadas en el equipo.
2. Asegúrese de que el extremo de entrada de la bomba está en el mismo extremo del extremo de entrada del tanque.
3. Apriete las tuercas de los pernos mientras instala otras piezas del equipo.
4. Utilice cinta de teflón u otro sellador de plomería para asegurar todas las conexiones están sellados.

# GARANTÍA

## Guarde el recibo original para Garantía de Elegibilidad

### Garantía Limitada

El fabricante garantiza al comprador original ("Comprador" o "Usted") que sus productos están libres de defectos de material y mano de obra durante un periodo de doce (12) meses desde la fecha de la compra original. Si, dentro de los doce (12) meses a partir de la compra del consumidor original, cualquiera de los productos demostrara estar defectuoso, el mismo será reparado o reemplazado, a opción del fabricante, sujeto a los términos y condiciones establecidos en este documento. Tenga en cuenta que esta garantía limitada se aplica a la fabricación y no defectos de desgaste normal. Todos los legados mecánicos necesitan periódicamente repuestos y servicio para rendir bien. Esta garantía limitada no cubre la reparación cuando el uso normal haya agotado la vida útil de una pieza concreta del equipo.

La etiqueta de información del recibo de compra y la garantía del producto original, se requieren para determinar la elegibilidad de la garantía. La elegibilidad se basa en la fecha de compra o producto original - no la fecha de la sustitución de la garantía. La garantía está limitada a la reparación o sustitución del producto adquirido original solamente, no producto de reemplazo (es decir, una garantía de sustitución permitido por compra).

El comprador paga todos remoción, instalación, mano de obra, transporte, y gastos imprevistos.

Las reclamaciones en virtud de esta garantía deberá ser presentada por contacto y devolver el producto a la fábrica inmediatamente después del descubrimiento o cualquier supuestos defectos. Fabricante tomará luego la acción correctiva tan pronto como sea razonablemente posible. No se aceptarán solicitudes de servicio si se recibe más de 30 días después del vencimiento de la garantía. La garantía no es transferible y no se aplica a productos usados en aplicaciones comerciales / alquiler.

### Términos y Condiciones Generales; Limitaciones de los Remedios

Usted debe pagar todo el trabajo y cargas necesarias envío para reemplazar el producto cubierto por esta garantía. Esta garantía no se aplica a lo siguiente: (1) los actos de Dios; (2) los productos que, a juicio exclusivo del fabricante, han sido objeto de negligencia, abuso, accidente, mala aplicación, manipulación o alteración; (3) los fallos debidos a la instalación, operación, mantenimiento o almacenamiento; (4) la aplicación atípica o no aprobado, uso o servicio; (5) fallas causadas por corrosión, oxidación u otros elementos extraños en el sistema, o funcionamiento a presión por encima del máximo recomendado.

Esta garantía establece la única obligación del fabricante y el único recurso del comprador por productos defectuosos.

FABRICANTE NO SE HACE RESPONSABLE POR CUALQUIER DAÑO CONSECUENTE, INCIDENTAL O CONTINGENTE. LAS GARANTÍAS ANTERIORES LIMITADA SON EXCLUSIVOS Y EN LUGAR DE TODAS LAS DEMÁS GARANTÍAS IMPLÍCITAS, INCLUYENDO PERO NO LIMITADO A LAS GARANTÍAS DE COMERCIALIZACIÓN Y APTITUD PARA UN PROPÓSITO PARTICULAR. EL PRECEDENTE GARANTÍA NO SE EXTIENDE MÁS ALLÁ DE LA DURACIÓN SE INDICA.

Algunos estados no permiten la exclusión o limitación de daños o limitaciones incidentales o consecuentes en la duración de una garantía implícita, por lo que las limitaciones o exclusiones anteriores no se apliquen a usted. Esta garantía le otorga derechos legales específicos y usted también puede tener otros derechos que varían de estado a estado.



1899 Cottage Street, Ashland, Ohio 44805  
Teléfono: 1-877-326-3561  
Fax: 1-877-326-1994  
www.ecofloproducts.com