



Owner's Manual

4" Submersible Pumps

Two & Three Wire, 1/2 through 1-1/2 HP



TABLE OF CONTENTS

Pump Selection	2-3
General Safety	4
Electrical	5-6
Installation	7-9
Troubleshooting	10
Repair Parts	11
Warranty	12



Before you start

Selecting the Correct Pump

Before you remove and reinstall your submersible well pump, let's review your well condition and the pumps capabilities.

WELL LOG INFORMATION

The driller that drilled your well should have given you a 'well log' summarizing the:

- A. Depth that the well was drilled, ie 170 ft. from the surface.
- B. Depth to what level the water rose in well, ie 130 ft. from the surface
- C. Depth to what level the water dropped to with the test pump pumping in your well, ie dropped 20' to 150' from the surface when pumping continuously
- D. The gallons per minute your pump pumped, ie 10 GPM

In some counties this information is recorded at the health office or other offices of the county and/or the driller may have retained the information in the driller's file.

You need a copy of the well log or this information from the well log.

If you can not find the well log, you will need to drop a weighted string in the well to:

- A. Record the depth when it hits the bottom of the well.
- B. The depth at which water is standing in the well, ie the length of string from the weighted end of the string that is wet.

NOTE, your pump needs to be installed at minimum 5' above the bottom of the well and 15-20' below the surface of the water column in the well.

4" PUMP DESIGN AND OPTIMUM PERFORMANCE

This pump is designed to pump 10 gallons per minute (10 GPM), which is the average size home's (3-4 bedroom) use of water per minute. Larger homes will require larger pumps.

Deeper wells require higher horsepower to deliver water to the home. See chart at right to ensure you have chosen the correct horsepower for your application.

PROPER 4" PUMP SELECTION

HP	GPM	PUMP DEPTH IN WELL
1/2	10	60-100'
3/4	10	100-175'
1	10	175-250'
1-1/2	10	greater than 250'

VOLTAGE

4" submersible pumps are offered in two voltages, 115 or 230V. Be sure you select a pump whose motor voltage matches the voltage at the well

NUMBER OF PUMP WIRES AND CONTROL BOXES

4" pumps are offered in either 2-wire or 3-wire, indicating the number of wires running from the pump motor.

2-wire motors have 3 wires running from the motor, 2 to provide electric service and 1 ground wire. The motor controls are in the motor in the well.

3-wire motors have 4 wires running from the motor, 3 to provide electric service and 1 ground wire. These motors require a motor control box mounted on the wall near your water pressure tank.

2-wire motors are typically only used in wells less than 300' depths and 3-wire motors can be used in wells at any depth.

Some users prefer their motor controls be readily available for service. A 3-wire pump with control box mounted near the tank provides ease of serviceability.

3-wire start components including capacitors and relays are located in the control box for ease of service. 2-wire start components are inside the hermetically sealed pump motor and rarely fail. If failure does occur, the pump must be replaced.

NOTE: Control box voltage and horsepower must match pump voltage and horsepower.

PUMP		CONTROL BOX	
HP	VOLTAGE	HP	VOLTAGE
1/2	115	1/2	115
1/2	230	1/2	230
3/4	230	3/4	230
1	230	1	230
1-1/2	230	1-1/2	230

CONFIRMATION OF SELECTION

Knowing the above and prior to installing or removing and reinstalling your 4" pump, please confirm the following:

- The correct HP for the depth the pump will be in the well.
- The correct GPM (gallons per minute) for your application.
- The correct voltage
- The correct number of wires
- The correct control box (if applicable)


GENERAL SAFETY


Important Safety Instructions


Carefully read and follow all safety instructions in this manual and on pump.


SAVE THESE INSTRUCTIONS – This manual contains important instructions that should be followed during installation, operation, and maintenance of the product. Save this manual for future reference.

Safety Labels

 This is the safety alert symbol. When you see this symbol on your pump or in this manual, look for one of the following signal words and be alert to the potential for personal injury!


 **DANGER** Indicates a hazard which, if not avoided, will result in death or serious injury.


 **WARNING** Indicates a hazard which, if not avoided, could result in death or serious injury.


 **CAUTION** Indicates a hazard which, if not avoided, could result in minor or moderate injury.

NOTICE indicates practices not related to personal injury.

Keep safety labels in good condition. Replace missing or damaged safety labels.

 **WARNING**
HAZARDOUS PRESSURE Under certain conditions, submersible pumps can develop extremely high pressure. Install a pressure relief valve capable of passing entire pump flow at 100 PSI (690 kPa).

 **WARNING** Do not allow pump, pressure tank, piping or any other system component containing water to freeze. Freezing may damage system, leading to injury or flooding. Allowing pump or system components to freeze will void warranty.

 **DANGER**
HAZARDOUS VOLTAGE Can shock, burn or cause death. To avoid dangerous or fatal electric shock hazard, use pump only in a water well.

Do not install this pump in a pond, river or other open body of water that could be used for swimming or recreation. Do not swim, wade or play in a body of water in which a submersible pump has been installed.

 **WARNING** Install ground and wire pump according to local and Canadian Electrical Code or National Electrical Code requirements that apply.

 **DANGER** Disconnect electrical power supply before installing or servicing pump.

 **WARNING** Make sure line voltage matches pump voltage and frequency.

Install pump according to all plumbing, pump and well code requirements.

Test well water for purity before using well. Call your local health department for testing procedure.

During installation, keep well covered to prevent leaves and foreign material from falling into the well. Foreign objects in well can contaminate water and cause serious mechanical damage to pump.

Pipe joint compound can cause cracking in plastics. Use only teflon tape when sealing joints in plastic pipe or connecting pipe to thermoplastic pumps.

ELECTRICAL



WARNING

HAZARDOUS PRESSURE Can shock, burn or cause death. Permanently ground pump, motor and submersible motor control before connecting power supply to motor.

Ground submersible motor in accordance with all codes and ordinances that apply. Use copper ground wire at least as large as wires carrying current to motor.

Motor is supplied with copper ground wire. Splice to copper conductor that matches motor wire size specified in Table 3. See “cable splicing” under installation.

Permanently ground pump, motor and submersible motor control before connecting power cable to power supply. Connect ground wire to approved ground first, then connect equipment being installed.

Wiring Connections

All wiring must meet National Electrical Code or Canadian Electrical Code and local code requirements.

Use only copper wire for connections to pump and submersible motor control.

Table 1: Recommended Fusing Data - 60 Hz, Single Phase, 3 Wire Submersible Pump Motors

HP	Volts	Fuse Size	
		Standard	Dual Element
1/2	230	20	10
3/4	230	25	15
1	230	30	20
1-1/2	230	35	20

Table 2: Recommended Fusing Data - 60 Hz, Single Phase, 2 Wire Submersible Pump Motors

HP	Volts	Fuse Size	
		Standard	Dual Element
1/2	115	35	20
3/4	230	20	10
1	230	25	15
1-1/2	230	30	20

To avoid over-heating wire and excessive voltage drop at motor, be sure wire size is sufficient per NEC standards for the pump horsepower and length of wire run.

NOTICE: See installation Wiring Diagrams for typical wiring hookups and submersible motor control identification.

INSTALLATION WIRING INSTRUCTIONS

Disconnect power before working on or around submersible motor control, pipes, cable, pump or motor.

Ground submersible motor control, all metal plumbing and motor frame with copper wire in compliance with National Electrical Code or Canadian Electrical Code and local code requirements. Use ground wire at least as large as the wires supplying power to motor.

At well head, connect ground wire to grounding terminal that meets Canadian Electrical Code or National Electrical Code requirements that apply. For more information, contact local code officials.

Permanently close all unused openings in this and other equipment.

Note:

Install submersible motor control vertically on wall with top side up. 3-Wire pumps have three power supply wires (Red/Black/Yellow) and one ground wire (Green). 3 wire pumps will not operate without submersible motor control; attempting to do so will burn out motor. Installations must include circuit and component protection in compliance with U.S. National Electrical Code or Canadian Electrical Code, Par 1.

If main overload trips, look for:

1. Shorted Capacitor
2. Voltage Problems
3. Overload or locked pump

Single Phase, 3 Wire Installation

⚠ DANGER Hazardous voltage. Can shock, burn or kill.

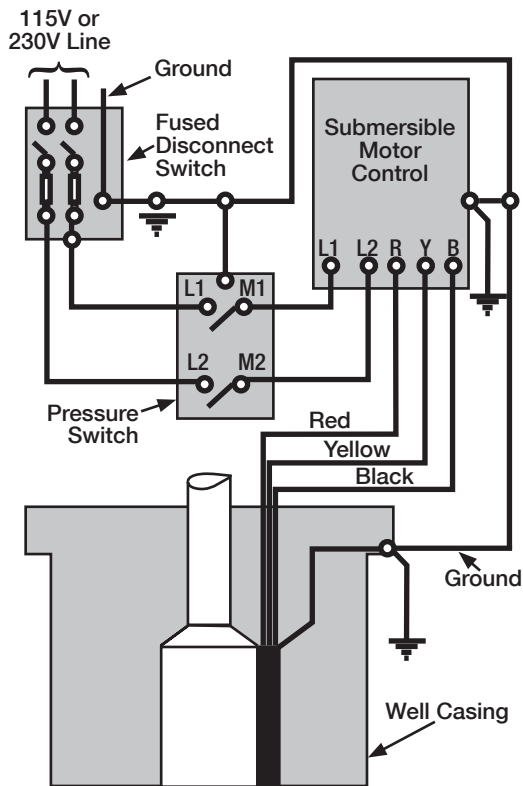


Figure 1-A

Three Wire- 1/2 through 2 HP Submersible Motor Control. Follow color coding when connecting submersible motor control. (Yellow to Y, Red to R, Black to B)

Single Phase, 2 Wire Installation

⚠ DANGER Hazardous voltage. Can shock, burn or kill.

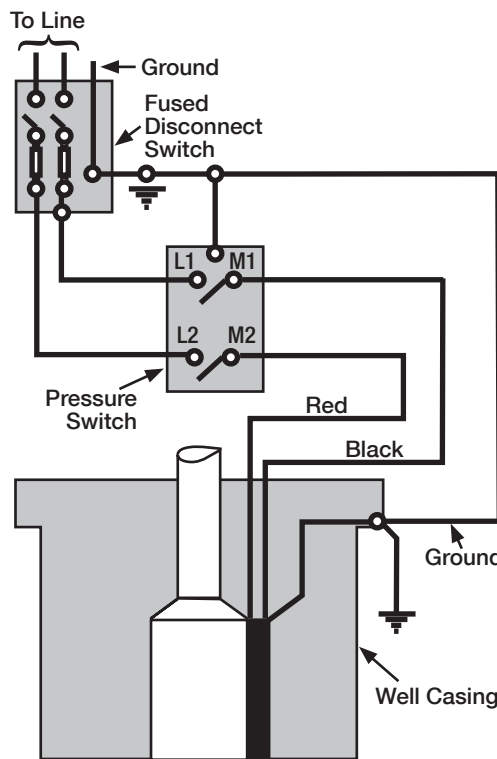


Figure 1-B

Two-wire pumps have two power supply wires (Red/Black) and one ground wire. Submersible motor control is not required.

INSTALLATION

Wire Splicing

Splice wire to motor leads using only copper wire for connections to pump motor and control box.

1. Tapered splice (Wire sizes No. 8 and larger):
 - A. Cut motor lead staggering lead and wire length so that second lead is 2" longer than first lead and third lead is 2" longer than second.
 - B. Cut off power supply wire ends. Match colors and lengths of the wires to colors and lengths of motor leads.
 - C. Trim installation back 1/2" from supply wire and motor lead ends.
 - D. Insert motor lead ends and supply wire ends into butt connectors. Match wire colors between supply wires and motor leads.
 - E. Using crimping pliers, indent butt connector lugs to attach wire.
 - F. Cut electrical "Scotchfil™" or equivalent insulation putty into three equal parts and form tightly around butt connectors. Be sure Scotchfil™ overlaps insulated part of wire.
 - G. Using #33 Scotch™ or equivalent tape, wrap each joint tightly; cover wire for about 1-1/2" on each side of joint. Make four passes with the tape. When finished you should have four layers of tape tightly wrapped around the wire. Press edges of tape firmly down against the wire.

NOTICE: Since tightly wound tape is the only means of keeping water out of splice, efficiency of splice will depend on the care used in wrapping the tape.

NOTICE: For wire sizes larger than No. 8, use soldered joint rather than Scotchfil™ putty.

2. Heat shrink splice
[for wire sizes #14, 12 and AWG (2,3 and 5mm)]
 - A. Remove 3/8" insulation from ends of motor leads and power supply wires.
 - B. Put plastic heat shrink tubing over motor leads between power supply and motor.
 - C. Match wire colors and lengths between power supply and motor.
 - D. Insert supply wire and lead ends into butt connector and crimp. Match wire colors between power supply and motor. Pull leads to check connections.
 - E. Center tubing over butt connector and apply heat evenly with torch (match or lighter will not supply enough heat).

NOTICE: Keep torch moving. Too much concentrated heat may damage tubing.

3. Mechanical Splice Kit with plastic insulators (for 14, 12 and 10 Gauge AWG Wire (2, 3 and 5mm):
 - A. Cut motor leads staggering lead and wire length so that 2nd lead is 4" (101.6mm) longer than 1st lead and 3rd lead is 4" (101.6mm) longer than second.
 - B. Cut wire ends matching colors and lengths of wires between power supply and motor.
 - C. Trim insulation back 1/2" (12.7mm) from power supply wire and motor lead ends.
 - D. Unscrew plastic caps from insulators. Place a cap and neoprene gasket sleeve on each wire to be spliced.
 - E. Slide insulator body onto one wire end.
 - F. Insert wire end into butt connector and crimp. Match wire colors between power supply and motor.
 - G. Center insulator body over splice and slide gasket sleeves into body as far as they will go. Screw caps onto insulator body and tighten by hand for a strong, waterproof splice.

Power Supply Wire Installation

1. To test submersible, momentarily (no more than 5 seconds) connect it to proper power supply. Power supply frequency and voltage must match motor name plate frequency and voltage to within ±10%.
2. Fasten power supply wire leads securely to pump discharge section; leave 4-5" (100-125mm) of slack in leads at this point. Securely fasten leads to plastic pipe within 6" (150mm) of the pump discharge section. Use centering guides to protect wire and pipe from rubbing well casing.
3. Connect copper ground wire to motor bracket. Ground wire must be as large as wires supplying current to motor. Consult current Canadian Electrical Code and local codes for grounding information.
4. Most 4" pumps have an eyelet on the pumps discharge for attaching a rope to assist in lowering into and pulling the pump from the well. Attach a nylon rope of adequate length to eyelet
5. Do not use submersible power supply wires supplied by pump manufacturer to lower or lift pump. When lowering pump into well use only the rope and/or discharge pipe, secure supply wires to discharge pipe at 10 ft. (3M) intervals with Scotch™ #33 or equivalent electrical tape. DO NOT damage pump wires.

NOTICE:

To avoid dropping pump down well or damaging wires or splices, **NEVER** allow pump wires to support weight of pump.

INSTALLATION

Discharge outlet is 1-1/4" FNPT threaded. Use 100 PSI (689.5kPa) rated polyethylene plastic pipe for installations up to 100' (30.5M) depth.

Use 160 PSI (1103.2 kPa) rated polyethylene plastic for installations up to 220' (67.1M) depth.

For depths beyond 220' (67.1M) use galvanized steel pipe for the entire drop pipe.

INITIAL START-UP/NEW WELLS

NOTICE: NEVER operate pump with gate valve completely closed. Pump can destroy itself if run with valve shut off ("dead-headed") and warranty will be void.

NOTICE:

To avoid sand-locking pump, follow procedure below when starting pump for the first time. NEVER start a pump with gate valve completely open unless you have done this procedure first.

1. Connect a pipe elbow, a short length of pipe and a gate valve to pump discharge at well head (see Fig. 3).
2. Mount submersible motor control (3-wire pump) or fused disconnect switch (2-wire pump) in a permanently weatherproof place. Make sure that controls will not be subjected to extreme heat or excess moisture.
3. Make sure controls are in OFF position.
4. Connect motor leads and power supply to submersible motor control or magnetic starter (see Installation Wiring Diagrams).

DO NOT START PUMP YET.

5. Set gate valve on discharge 1/3 open; start pump (see Fig. 3).
6. Keep gate valve at this setting while water pumps out on ground. Let run until water is clear of sand or silt. (To check solids in water, fill a glass from pump and let solids settle out).
7. When water is completely clear at 1/3 setting, open gate valve to approximately 2/3 open and repeat process.
8. When water is completely clear at 2/3 setting, open gate valve completely and run pump until water is completely clear.
9. Remove gate valve for permanent installation near tank (Fig. 4).
10. Install sanitary well seal or pitless adapter unit, well unit, electrical conduit and surface piping. Installation must meet all code requirements that apply.

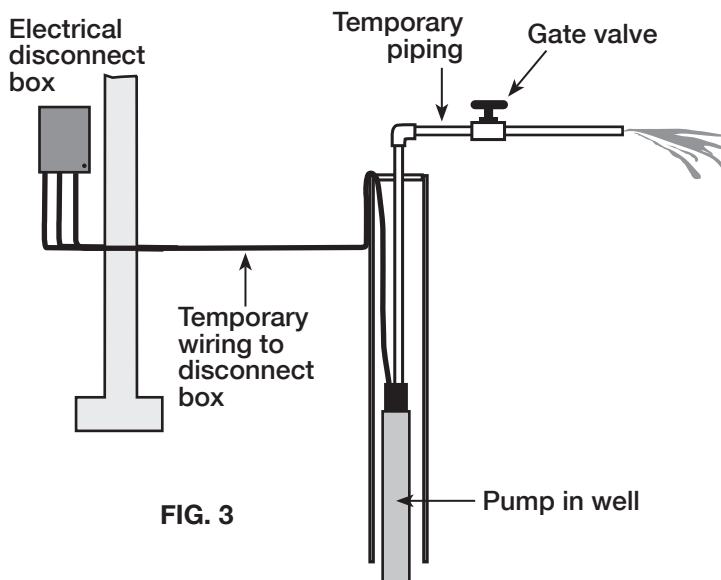


FIG. 3

TEMPORARY CONNECTIONS WHILE CLEANING WELL FOR START-UP

Connecting To Tank/Water System

WARNING Hazardous pressure. Submersible pumps can develop very high pressure in some situations. To prevent tank blowup, install a pressure relief valve able to pass full pump flow at 100 PSI (690 kPa).

CAUTION Pipe joint compound can cause cracking in plastics. Use only teflon tape on joints in plastic pipe.

NOTICE:

Allowing pump or piping system to freeze may severely damage pump and will void warranty. Protect pump and entire piping system (including pressure tank) from freezing.

Pre-Charged Pressure Tank Hookup

See Fig. 4 for piping connections to pre-charged pressure tank.

NOTICE:

Check air pre-charge in tank before starting pump. Adjust pre-charge to 2 PSI (13.8kPa) below pump cut-in setting, (ie, a pre-charge tank used with a 30-50 switch should be pre-charged with air to 28 PSI (193.1 kPa). Adjust pre-charge by adding or bleeding air through schrader valve located on top of tank. Check pre-charge annually and adjust as needed.

INSTALLATIONS

Important Electrical Grounding Information



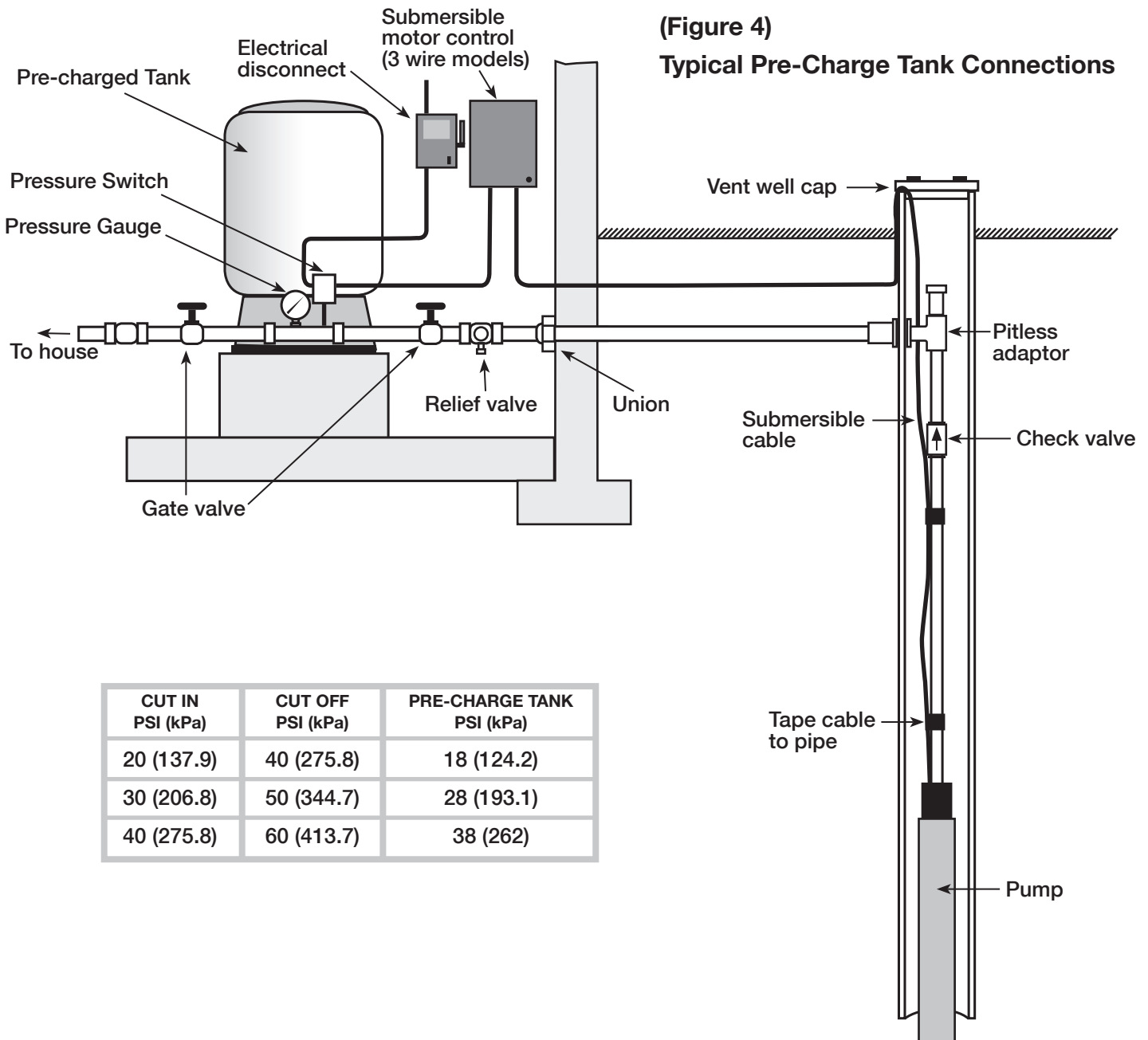
Hazardous voltage. Can shock, burn, or kill. To reduce the risk of electrical shock during pump operation, ground and bond the pump and motor as follows:

- A. To reduce risk of electrical shock from metal parts of the assembly other than the pump, bond together all metal parts accessible at the well head (including metal discharge pipe, metal well casing, and the like). Use a metal bonding conductor at least as large as the power cable conductors running down the well to the pump's motor.
- B. Clamp or weld (or both if necessary) this bonding conductor to the grounding means provided with the

pump, which will be the equipment-grounding terminal, the grounding conductor on the pump housing, or an equipment-grounding lead. The equipment-grounding lead, when provided, will be the conductor having green insulation; it may also have one or more yellow stripes.

- C. Ground the pump, motor, and any metallic conduit that carries power cable conductors. Ground these back to the service by connecting a copper conductor from the pump, motor, and conduit to the grounding screw provided within the supply-connection box wiring compartment. This conductor must be at least as large as the circuit conductors supplying the pump

SAVE THESE INSTRUCTIONS.



CUT IN PSI (kPa)	CUT OFF PSI (kPa)	PRE-CHARGE TANK PSI (kPa)
20 (137.9)	40 (275.8)	18 (124.2)
30 (206.8)	50 (344.7)	28 (193.1)
40 (275.8)	60 (413.7)	38 (262)

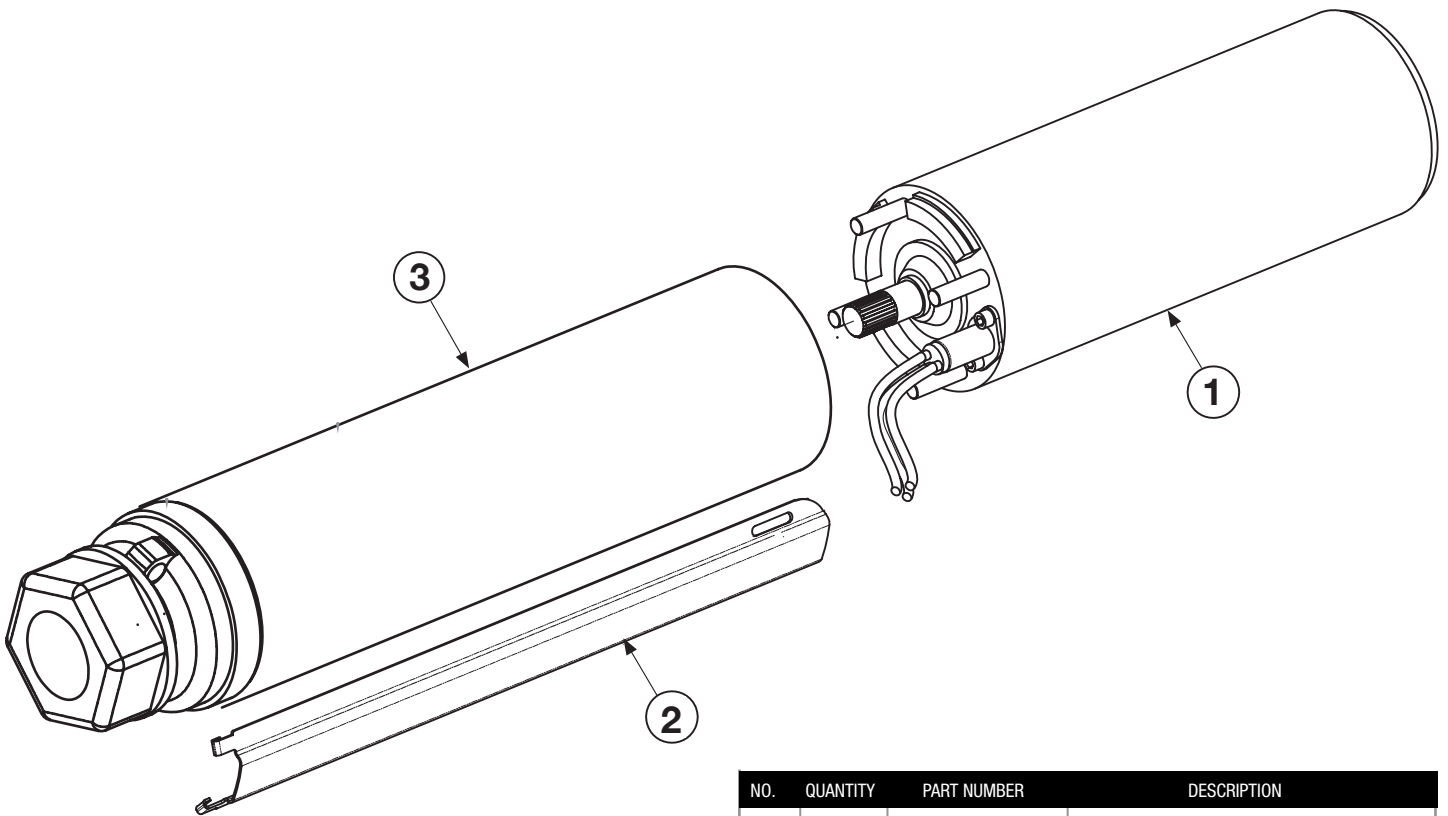
For parts or assistance, call ECO-FLO Customer Service at 1-877 326-3561

TROUBLE SHOOTING

PROBLEM	CHECK	CORRECTIVE ACTION
MOTOR WILL NOT START BUT FUSES DO NOT BLOW		
No voltage.	No voltage at submersible motor control or disconnect switch. No voltage at pressure switch. No voltage at submersible motor control. Cable or splices bad. Submersible motor control incorrectly wired.	Replace blown fuses. Replace faulty pressure switch. Rewire supply to submersible motor control. Consult licensed electrician or serviceman. Reconnect submersible motor control correctly (see Wiring Installation Diagrams).
FUSES BLOW OR TRIPS WHEN MOTOR STARTS		
Wrong size fuse or wrong size time delay fuse.	Check fuse size against chart, Page 3.	Install correct fuse or time delay fuse.
Wire size too small.	Check wire size against chart, Page 3.	Install correct size wire.
Starting capacitor defective, blown, or wrong size. Low or high voltage.	Check submersible motor control to see if starting capacitor has blown out. Check capacitor rating. Check start relay. Check that line voltage is within $\pm 10\%$ of nameplate rated voltage while motor is running.	Replace starting capacitor. Replace start relay if defective. If voltage variation is greater than $\pm 10\%$, call power company or local hydro authority to adjust voltage.
Power supply wire leads not correctly connected to submersible motor control.	Check submersible motor control wiring diagram against incoming power hookup. Check power supply wire color coding.	Reconnect leads to match wiring diagram in submersible motor control cover. Reconnect power supply wires so wire color code matches motor lead color code.
Broken wire in submersible motor control.	Examine all connections and wiring in submersible motor control.	Disconnect power and repair or replace faulty wire.
Pump or motor stuck or binding.	Check for locked shaft in pump.	If necessary, pull pump (make all possible above ground checks first). If pump is locked, replace it. Clean well of all sand or lime before reinstalling pump. Do not attempt to disassemble pump or motor.
Power supply wire splices or motor leads grounded, shorted, or open.	Consult licensed electrician or qualified serviceman.	
FUSES BLOW OR OVERLOAD PROTECTOR TRIPS WHEN MOTOR IS RUNNING		
Low or high voltage.	Check that line voltage is within $\pm 10\%$ of rated nameplate voltage while motor is running.	If voltage variation is more than $\pm 10\%$, call power company to adjust voltage.
High ambient (atmospheric) temperature.	Check temperature of submersible motor control.	Do not mount submersible motor control in direct sunlight.
Submersible motor control with wrong voltage or horsepower rating.	Compare voltage and horsepower on motor nameplate with those given on submersible motor control nameplate or on circuit diagram inside submersible motor control cover.	Replace submersible motor control if numbers do not match. Use only submersible motor control designed for use with pump.
Wire size too small.	Check wire size against chart, Page 3.	Install correct wire size.
PUMP STARTS TOO FREQUENTLY		
Leaks in system.	Check all tank connections with soapsuds for air leaks. Check plumbing for leaks.	System must be air and water tight.
Pressure switch. Check valves leaking. Tank waterlogged.	Check for defective switch or switch out of adjustment. Make sure check valves are not leaking back. Pre-charged tanks: check tank pre-charge air pressure, check for leak in bladder.	Re-adjust or replace pressure switch. Replace check valves if necessary. Pre-charge tanks: adjust air pressure to 2 PSI (13.8kPa) less than pump cut-in pressure (when there is no water pressure on system). Replace bladder if necessary.
Leak in drop pipe.	Air over water tanks: check for air leaks Check Air Volume Control (AVC). Raise drop pipe one length at a time until water stands in pipe.	Air over water tanks: repair or replace tanks, replace AVC if necessary. Replace pipe above that point.
Pressure switch too far from tank.	Measure distance from pressure switch to tank.	Move switch to within 1' (.3M) of tank.
LITTLE OR NO WATER DELIVERED		
Check valve stuck or installed backwards (standard tank only). Low water level.	Examine valve. Determine lowest water level in well while pump is running and compare to pump depth setting.	If stuck, free valve; if installed backwards, reverse it. Lower pump further into well (but at least 5' (1.5M) above bottom of well). Throttle pump discharge until discharge equals recovery rate of well. NOTICE: Running pump while airlocked can cause loss of prime and seriously damage pump.
Low voltage.	Check voltage at submersible motor control with pump running. Check incoming wire size and power supply wire size against chart, Page 3.	Install larger wire from meter to submersible motor control. Install larger wire from submersible motor control to pump. If necessary, have power company raise supply voltage.
Plugged intake screen. Check valve at pump discharge stuck.	Pull pump and check condition of screen. Pull pump and examine check valve.	Clean or replace as necessary. Free check valve.
Worn impellers and diffusers.	Make sure system is clear of obstructions and pump is in solid water and operating normally.	Replace pump.
AIR OR MILKY WATER DISCHARGE FROM FAUCETS		
Gas in well water.	Check for presence of gas in well water.	Remove bleeder orifices; plug tees. Be sure plugged tees do not leak. If necessary, separate gas from air before it enters pressure tank.
Air volume control not working (standard tanks only).	Make sure ports and ball check valves are clear.	Replace control if necessary

For parts or assistance, call ECO-FLO Customer Service at 1-877 326-3561

SUBMERSIBLE PUMP REPAIR PARTS



NO.	QUANTITY	PART NUMBER	DESCRIPTION
1	1	EFSUP0501	Motor 1/2HP 2W 115V
		EFSUP0502	Motor 1/2HP 2W 230V
		EFSUP0503	Motor 1/2HP 3W 230V
		EFSUP0751	Motor 3/4HP 2W 230V
		EFSUP0752	Motor 3/4HP 3W 230V
		EFSUP1001	Motor 1HP 2W 230V
		EFSUP1002	Motor 1HP 3W 230V
		EFSUP1501	Motor 1-1/2HP 3W 230V
		EFSUP1502	Motor 1-1/2HP 2W 230V
2	1	EFSUP1003	Wire Guard
		EFSUP0506	Wire Guard
		EFSUP1503	Wire Guard
		EFSUP0753	Wire Guard
		EFSUP1004	Wire Guard
		EFSUP1504	Wire Guard
3	1	EFSUP1005	Cartridge assembly 5 stages
		EFSUP0508	Cartridge assembly 6 stages
		EFSUP1505	Cartridge assembly 7 stages
		EFSUP0754	Cartridge assembly 9 stages
		EFSUP1006	Cartridge assembly 12 stages
		EFSUP1506	Cartridge assembly 16 stages

For parts or assistance, call ECO-FLO Customer Service at 1-877 326-3561

WARRANTY

Retain Original Purchase Receipt for Warranty Eligibility

Limited Warranty

Manufacturer warrants to the original consumer purchaser (“Purchaser” or “You”) that its products are free from defects in material and workmanship for a period of three years from the date of the original consumer purchase. If, within three years from the original consumer purchase, any such product shall prove to be defective, it shall be repaired or replaced at manufacturer’s option, subject to the terms and conditions set forth herein. Note that this limited warranty applies to manufacturing defects only and not to ordinary wear and tear. All mechanical devices need periodic parts and service to perform well. This limited warranty does not cover repair when normal use has exhausted the life of a part or the equipment.

The original purchase receipt and product warranty information label are required to determine warranty eligibility. Eligibility is based on purchase date or original product – not the date of replacement under warranty. The warranty is limited to repair or replacement of original purchased product only, not replacement product (i.e. one warranty replacement allowed per purchase).

Purchaser pays all removal, installation, labor, shipping, and incidental charges.

Claims made under this warranty shall be made by returning the product to the retail outlet where it was purchased or to the factory immediately after the discovery or any alleged defect. Manufacturer will subsequently take corrective action as promptly as reasonably possible. No requests for service will be accepted if received more than 30 days after the warranty expires. Warranty is not transferable and does not apply to products used in commercial/rental applications.

General Terms and Conditions; Limitations of Remedies

You must pay all labor and shipping charges necessary to replace product covered by this warranty. This warranty does not apply to the following: (1) acts of God; (2) products which, in manufacturer’s sole judgment, have been subject to negligence, abuse, accident, misapplication, tampering, or alteration; (3) failures due to improper installation, operation, maintenance or storage; (4) atypical or unapproved application, use or service; (5) failures caused by corrosion, rust or other foreign materials in the system, or operation at pressures in excess of recommended maximums.

This warranty sets forth manufacturer’s sole obligation and purchaser’s exclusive remedy for defective products.

MANUFACTURER SHALL NOT BE LIABLE FOR ANY CONSEQUENTIAL, INCIDENTAL, OR CONTINGENT DAMAGES WHATSOEVER. THE FOREGOING LIMITED WARRANTIES ARE EXCLUSIVE AND IN LIEU OF ALL OTHER EXPRESS AND IMPLIED WARRANTIES, INCLUDING BUT NOT LIMITED TO IMPLIED WARRANTIES OF MERCHANTABILITY AND FITNESS FOR A PARTICULAR PURPOSE. THE FOREGOING LIMITED WARRANTIES SHALL NOT EXTEND BEYOND THE DURATION PROVIDED HEREIN.

Some states do not allow the exclusion or limitation of incidental or consequential damages or limitations on how long an implied warranty lasts, so the above limitations or exclusions may not apply to You. This warranty gives You specific legal rights and You may also have other rights which vary from state to state.



1899 Cottage Street, Ashland, Ohio 44805
Telephone: 1-877-326-3561
Fax: 1-877-326-1994
www.ecofloproducts.com



Manuel des propriétaires

4" Pomes Submersibles

Deux & Trois fil, 1/2 à travers 1-1/2HP



CONTENTS DU TABLEAU

Sélection de la pompe	14-15
Sécurité Générale	16
Electrique	17-18
Installation	19-21
Dépannage.	22
Parts de Réparation.	23
Garantie.	24



AVANT QUE VOUS COMMENCEZ

Sélection de la bonne pompe

Avant que vous retirez et réinstallez votre pompe de puits submersible, laissez revoir votre condition du puits et les capacités des pompes

INFORMATION DE LA DIAGRAPHIE DE SONDAGE

Le foreur qui a foré votre puits devrait avoir vous donné une 'diagraphie de sondage résumant la :

- A. Profondeur que le puits a été fore, i.e. 170 ft. de la surface.
- B. Profondeur à quel niveau l'eau a augmenté dans le puits, i.e.130 ft. de la surface.
- C. Profondeur à quel niveau l'eau a baissé avec la pompe d'essai pompant dans votre puits, ie baissé 20' à 150' de la surface lors de pomper continuellement.
- D. Les gallons par munute que votre pompe pompe, i.e.10 GPM

Dans des comtés, cette information est enregistrée au bureau de santé ou aux autres bureau du comté et/ou le foreur peut avoir conservé les informations dans le dossier du foreur.

Vous avez besoin d'une copie de la diagraphie de sondage ou cette information de la diagraphie de sondage.

Si vous ne pouvez pas trouver la diagraphie de sondage, vous aurez besoin de déposer une corde pondérée dans le puits pour:

- A. Enregistrez la profondeur quand il a frappé le fond du puits.
- B. La profondeur à laquelle l'eau est debout dans le puits, ie la longueur de la corde de la fin pondérée de la corde qui est mouillée.

NOTE, votre pompe a besoin d'être installée 5'au-dessus du fond du puits et 15-20' au-dessous de la surface de la colonne d'eau dans le puits.

4" CONCEPTION DE LA POMPE ET PERFORMANCE OPTIMALE

Cette pompe est conçue pour pomper 10 gallons par minute (10GPM), qui est l'utilisation de la maison (3-4 chambres) de la taille moyenne de l'eau par minute. Les plus grandes maisons auront besoin des plus grandes pompes.

Des puits plus profonds nécessitent une puissance plus élevée pour fournir de l'eau à la maison. Voir le tableau à droite pour s'assurer que vous avez choisi la puissance appropriée pour votre application

PROPRE4"SELECTION DE LA POMPE

HP	GPM	Profondeur de la pompe dans le puits
1/2	10	60-100'
3/4	10	100-175'
1	10	175-250'
1-1/2	10	supérieur à 250'

VOLTAGE

4" pompes submersibles sont proposées dans deux voltages ie 115 ou 230V. Assurez-vous que vous choisissiez une pompe dont le voltage du moteur correspond au voltage au puits.

NOMBRE DES FILS DE LA POMPE ET DES BOITIERS DE CONTROLE

4" pompes sont proposées 2 fil ou 3 fil, indiquant le numéro des fils en cours d'exécution à partir du moteur de la pompe

2-fils moteurs ont 3 fils en cours d'exécution à partir du moteur, 2 pour fournir un service électrique et 1 fil de terre. Les commandes du moteur se trouvent dans le moteur dans le puits.

3-fils moteurs ont 4 fils en cours d'exécution à partir du moteur, 3 pour fournir un service électrique et 1 fil de terre. Les moteurs demandent un boîtier de commande du moteur montant sur le mur près de votre réservoir d'eau.

2-fils moteurs sont typiquement utilisés dans les puits moins que 300' profondeurs et 3-fils moteurs sont utilisés dans les prodonfeurs plus profondes.

certain utilisateurs en future préfèrent leurs commandes de moteurs être facilement disponibles pour le service, ie 3-fils et le boîtier de commande montant près du réservoir, lorsque les autres ne le trouvent pas nécessaire.

Les composants de commencement de 3-fils y compris les condensateurs et les relais sont situés dans le boîtier de commande pour faciliter le service. Les composants de commencement de 2 -fils sont à l'intérieur du moteur de la pompe hermétiquement scellée et échouent rarement. Si la panne se produit, la pompe doit être remplacé.

NOTE: Le voltage et la puissance de cheval du boîtier de commande doivent correspondre au voltage et à la puissance de cheval de la pompe.

PUMPE		BOITIER DE COMMANDE	
HP	VOLTAGE	HP	VOLTAGE
1/2	115	1/2	115
1/2	230	1/2	230
3/4	230	3/4	230
1	230	1	230
1-1/2	230	1-1/2	230

CONFIRMATION DE LA SÉLECTION

Connaissant le dessus et avant de retirer et de réinstaller votre 4" pompe, confirmez le suivant s'il vous plait:

- HP correct pour la profondeur la pompe mettra dans le puits.
- GPM (gallons par minute) corrects pour les puits.
- Le voltage correct
- Le numéro correct des fils
- Le boîtier de commande correct (si c'est applicable)


Pour les parts ou l'aid, téléphonez au Service de clientele de ECO-FLO 1-877 326-3561

SECURITE GENERALE

Les Instructions de Sécurité Importantes Lisez et suivez toutes les instructions de sécurité soigneusement dans ce manuel et sur la pompe.

CONSERVEZ LES INSTRUCTIONS- Ce manuel comporte les instructions importantes qui devraient être suivies pendant l'installation, l'opération, et l'entretien du produit. Conservez ce manuel pour la référence future

Étiquettes de sécurité


 C'est le symbole d'alerte de sécurité. Lorsque vous voyez ce symbole sur votre pompe ou dans ce manuel, recherchez un des mots de signalisation suivants et soyez attentif à la possibilité pour les blessures!


 **DANGER** Indique un danger qui, s'il n'est pas évité, entraînera la mort ou des blessures graves.


 **ADVERTISSEMENT** Indique un danger qui, s'il n'est pas évité, peut entraîner la mort ou des blessures graves.

 **ATTENTION** Indique un danger qui, s'il n'est pas évité, peut entraîner des blessures mineures ou modérées.

NOTICE indique que les pratiques ne sont pas liées à des blessures corporelles. Conservez les étiquettes de sécurité dans la bonne condition. Remplacez les étiquettes de sécurité disparues ou endommagées.


 **ADVERTISSEMENT** Sous certaines conditions. Les pompes **PRESSION DANGEREUSE** submersibles peuvent développer une pression extrêmement élevée. une soupape de décharge de pression capable de laisser passer le débit de la pompe à 100PSI(690kPa).


 **ADVERTISSEMENT** Ne laissez pas la pompe, le réservoir de pression, le tuyau ou tout autre composant du système contenant de l'eau geler. La congélation peut endommager le système, causant des blessures ou des inondations. Permettre la pompe ou des composants du système de geler, la garantie sera annulée.

 **DANGER** Peut électrocuter, brûler ou causer **VOLTAGE DANGEREUX** la mort. Pour éviter le risque de choc électrique dangereux, voire mortel, utilisez la pompe seulement, ie, dans un puits d'eau.

N'installez pas cette pompe dans un étang, une rivière ou autre étendue d'eau libre qui peut être utilisé pour la natation ou les loisirs. Ne nagez pas, ni pataugez ni jouez dans une étendue d'eau dans laquelle une pompe submersible a été installée.

 **ADVERTISSEMENT** Installez la pompe de terre et de fil conformément au code local et Electrique Canadien ou aux exigences du Code Electrique national qui s'applique.

 **DANGER** Débranchez la fourniture de la puissance électrique avant d'installer ou servir la pompe.

 **ADVERTISSEMENT** Assurez-vous que le voltage de la ligne correspond au voltage et à la fréquence de la pompe.

Installez la pompe conformément à toutes les exigences sanitaires, de la pompe et du code du puits.

Testez l'eau du puits pour la pureté avant d'utiliser le puits. Appelez votre service de santé local pour la procédure de test.

Pendant l'installation, garder bien couvert pour empêcher les feuilles et les matières étrangères de tomber dans le puits. Des objets étrangers dans le puits peuvent contaminer l'eau et causer de sérieux dommages mécaniques à la pompe

Le compose de joint du tuyau peut provoquer des fissures dans le plastique. Utilisez seulement le ruban de téflon lors de sceller le joint dans le tuyau en plastique ou de connecter le tuyau aux pompes thermoplastique

ELECTRIQUE

ADVERTISSEMENT

PRESSION DANGEREUSE Peut choquer, brûler ou causer la mort. En permanence, la pompe de terre, le moteur et le moteur submersible contrôlent avant de connecter la source de courant au moteur.

Mettez le moteur submersible à la terre en conformité avec tous les codes et les règlements qui s'appliquent. Utilisez le fil cuprique de terre au moins aussi grand que les fils transportant le courant au moteur.

Le moteur est livré avec un fil cuprique de terre. Epissez au conducteur en cuivre qui correspond à la taille du fil du moteur spécifié dans le tableau 3. Voyez "l' épissage de câble " sous l'installation.

En permanence, la pompe de terre, le moteur et le moteur submersible contrôlent avant de connecter le câble de puissance à la source de courant. Connectez le fil de terre à la terre agréée d'abord, et puis, connectez l'appareil en cours d'installation.

Connexions de câblage

Tout le câblage doit répondre le Code Electrique Canadien ou le Code Electrique National et les exigences du code local.

Utilisez seulement le fil en cuivre pour les connexions à la pompe et au contrôle du moteur submersible.

Tableau 1: Recommandé la Fusion des Données- 60 Hz, Monophasé, 3 moteurs de pompe submersible de fil

HP	Voltages	Taille de fusible	
		Standard	Elément Double
1/2	230	20	10
3/4	230	25	15
1	230	30	20
1-1/2	230	35	20

Tableau 2: Recommandé la Fusion des Données- 60 Hz Monophasé,2 moteurs de pompe submersible de fil

HP	Voltages	Taille de fusible	
		Standard	Elément Double
1/2	115	35	20
3/4	230	20	10
1	230	25	15
1-1/2	230	30	20

Pour éviter le fil de surchauffe et le voltage excessif de déposer au moteur, soyez sûr que la taille du fil est au moins aussi grande que la taille citée dans le tableau 3 pour votre pompe de puissance de cheval et la longer du fonctionnement du fil.

NOTICE: Voyez les Schémas de câblage d'installation pour les raccordements de câblage typiques et le moteur submersible contrôle l'identification.

INSTRUCTIONS DU FIL DE L'INSTALLATION

Coupez la puissance électrique avant de travailler sur ou autour contrôle du moteur submersible, tuyaux, câbles, pompe ou du moteur.

Mettez le contrôle du moteur submersible, tout cadre de plomberie en métal et le moteur avec du fil en cuivre dans le respect du Code canadien de l'électricité ou du Code National Electric et les codes locaux à la terre. Utilisez le fil de terre au moins aussi large que les fils fournissant la puissance au moteur.

A la tête de puits, connecter le fil de terre à la borne de terre qui répond aux exigences du Code canadien d'Electricité ou du Code National d'Electricité qui s'appliquent. Pour plus d'informations, contactez les officiels des codes locaux.

Fermez définitivement toutes les ouvertures non utilisées dans ce domaine et d'autres équipements.

Note:

Installez la commande de moteur submersible verticalement sur le mur avec le côté supérieur vers 3-fil pompes ont trios fils de la source de courant (Rouge/Noir/Jaune) et un fil de terre (Vert) 3-fil pompes n'opéreront pas sans la commande de moteur submersible; tenter de le faire brûlera le moteur.

Les installations devrait comprendre la protection du circuit et du composant en conformité avec les U.S. le Code National d'Electricité ou le Code canadien d'Electricité Par1.

Si la surcharge principale saute, cherchez:

1. Le condensateur raccourcie
2. Les problèmes du voltage
3. La surcharge ou la pompe verrouillée

Monophasé, 3 Fil Installation

⚠ DANGER Voltage dangereux. Peut choquer, brûler ou tuer

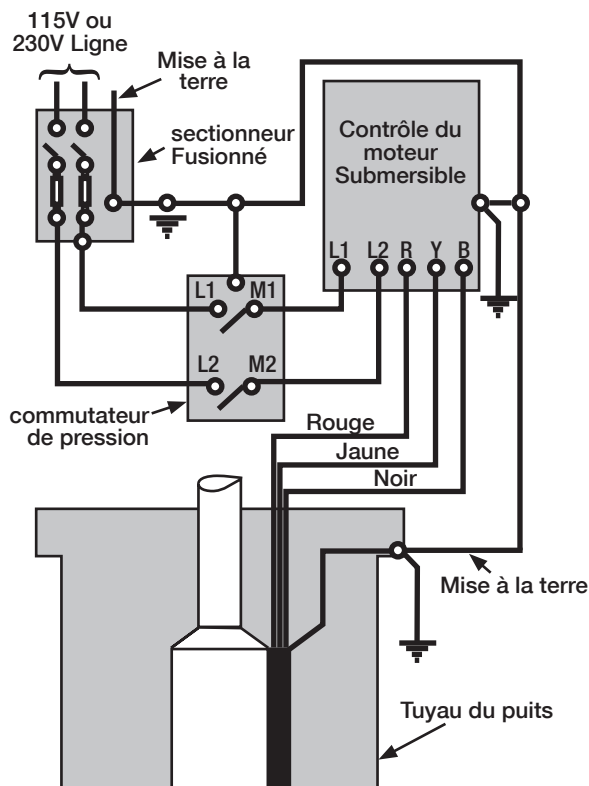


Figure 1-A

Trios Fil-1/2 par 1 HP la Commande du Moteur Submersible. Suivez le codage de couleur lors de la connexion de contrôle du moteur submersible. (Jaune pour Y, Rouge pour R, Noir pour B)

Monophasé, 2 fil Installation

⚠ DANGER Voltage dangereux. Peut choquer, brûler ou tuer

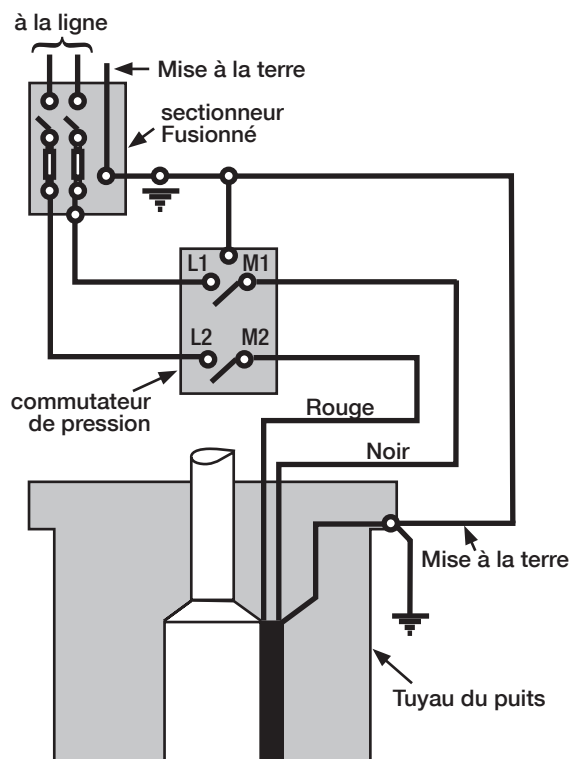


Figure 1-B

Deux-fil pompes ont deux fils de la source de courant (Rouge/Noir) et un fil de terre. La commande du moteur submersible n'est pas demandée.

INSTALLATION

Epissage du fil

Tranchez le fil aux fils du moteur utilisant seulement le fil en cuivre pour les connexions au moteur de la pompe et au boîtier de commande.

1. Epissure conique (les tailles des fils numéro 8 et plus grandes:
 - A. Coupez le plomb du moteur décalant la longueur du plomb et du fil alors que le deuxième plomb est 2" plus long que le premier plomb et le troisième plomb est 2" plus long que le deuxième.
 - B. Coupez les terminaux du fil de la source de courant. Correspondez les couleurs et les longueurs des fils aux couleurs et aux longueurs des plomb du moteur.
 - C. Comprimez l'installation 1/2" du fil de puissance et des terminaux de plomb du moteur.
 - D. Insérez les terminaux de plomb du moteur et les terminaux du fil de puissance dans les connecteurs de bout. Correspondez les couleurs du fil entre les fils de puissance et les terminaux du moteur.
 - E. Utilisant les pinces à sertir, connecteur rétracté de bout tire pour attacher le fil.
 - F. Coupez "Scotchfil™" électrique ou le mastic isolant équivalent dans les trois parties égales et formez étroitement autour des connecteurs de bout. Assurez-vous que le Scotchfil™ chevauche une partie insulté de fil.
 - G. Utilisant #33 Scotch™ ou bande équivalente, enveloppez chaque joint étanche; couvrez le fil pour environ 1-1/2" sur chaque côté du joint. Faites quatre passages avec la bande. Lorsque de terminer, vous devriez avoir quatre couches de ruban étroitement enroulé autour du fil. Pressez les bords de la bande fermement contre le fil.

NOTICE: Depuis la bande bien serrée est le seul moyen de garder l'eau de jonction, l'efficacité de jonction dépendra du soin utilisant à enrouler la bande.

NOTICE: Pour les tailles du fil plus large que numéro 8, utilisez le joint soudé plutôt que le mastic de Scotchfil.

2. Epissure contractile de chaleur [pour les tailles du fil #14, 12 et AWG(2,3et5mm)]
 - A. Retirez 3/8" l'isolation des extrémités des fils du moteur et les fils de la source de courant.
 - B. Mettez le tuyau contractile de chaleur sur les plombs du moteur entre la source de courant et le moteur.
 - C. Correspondez les couleurs du fil et les longueurs entre la source de courant et le moteur.
 - D. Insérez le fil de puissance et les terminaux de plomb dans le connecteur de bout et le crépage. Correspondez les couleurs du fil entre la source de courant et le moteur. Poussez les plombs pour vérifier les connexions.
 - E. Mettez le tube au centre sur le connecteur de bout et appliquez la chaleur uniformément avec la torche.

NOTICE: Restez la torche mobile. Trop de chaleur concentrée peut endommager le tube.

3. Le Kit d'Epissure Mécanique avec les isolateurs en plastique (pour 14, 12 et 10 Fil de Jauge d'AWG (2,3 et 5mm):
 - A. Coupez le plomb du moteur décalant la longueur du plomb et du fil alors que le deuxième plomb est 4" (101.6mm) plus long que le premier plomb et le troisième plomb est 4" (101.6mm) plus long que le deuxième.
 - B. Coupez les terminaux du fil en correspondant aux couleurs et aux longueurs des fils entre la source de courant et le moteur.
 - C. Comprimez l'installation 1/2" (12.7mm) du fil de puissance et des terminaux de plomb du moteur.
 - D. Dévissez les bouchons en plastique des isolateurs. Placez un bouchon et le manchon de joint d'étanchéité en neoprene sur chaque fil à raccorder
 - E. Glissez le corps isolant à une extrémité du fil.
 - F. Insérez les terminaux du fil dans les connecteurs de bout et le crépage. Correspondez les couleurs du fil entre la source de courant et le moteur.
 - G. Mettez le corps isolant sur épissure au centre et glissez les manchons d'étanchéité dans le corps aussi loin qu'ils iront. Visez les bouchons sur le corps isolant et serrez par mains pour une forte épissure, imperméable à l'eau.

Installation du fil de la source de courant

1. Pour tester le submersible, momentanément (pas plus que 5 secondes) connecter à la source de courant ad euate. La fréquence et le voltage de la source de courant doivent correspondre à la fréquence et au voltage nominal dans $\pm 10\%$.
2. Fixez les plombs du fil de la source de courant en toute sécurité à la section de décharge de la pompe ; laissez 4-5" (100-125mm) relâcher dans les plombs à ce point. Fixez les plombs en toute sécurité au tuyau en plastique dans 6" (150mm) de la section de décharge de la pompe. Utilisez les guides de centrage pour protéger le fil et le tuyau de frotter le tubage du puits.
3. Connectez le fil de terre en cuivre au support du moteur. Le fil de terre doit être aussi large que les fils à fournir du courant au moteur. Consultez le Code Electrique Canadien du Courant et les codes locaux pour l'information de terre.
4. La plupart des 4" pompes ont un oeillet sur la décharge des pompes pour attacher une corde à aider à l'abaissement et en tirant sur la pompe du puits. Attachez une corde en nylon d'une longueur adéquate à oeillet.
5. N'utilisez pas les fils submersibles de la source de courant fournissant par le fabricant de la pompe. Lors de la descente de la pompe dans le puits, utilisez seulement la corde et/ou le tuyau de décharge, assurez les fils de puissance au tuyau de décharge à 10 ft.(3M) intervalles avec Scotch™ #33 ou la bande électrique équivalente. N'endommagez pas les fils de la pompe.

NOTICE:

Pour éviter de faire tomber la pompe vers le bas ou endommager les fils ou les épissures, Ne permettez jamais les fils de la pompe de supporter le poids de la pompe.

Pour les parts ou l'aide, téléphonez au Service de clientèle de ECO-FLO 1-877 326-3561

INSTALLATION

La sortie de décharge est 1-1 / 4 "FNPT fileté. Utilisez 100 PSI (689.5kPa) le tuyau en plastique de polyéthylène classé pour les instructions vers 100'(30.5M) profondeur. Utilisez 160 PSI(1103.2kPa) le tuyau en plastique de polyéthylène classé pour les instructions vers 220'(67.1M) profondeur.

Pour les profondeurs au-delà de 220'(67.1M) utilisez tuyaux en acier galvanisé pour le tuyau de descente entier.

DÉMARRAGE INITIAL / LES NOUVEAUX PUIITS

NOTICE: Ne faites jamais fonctionner la pompe avec la vanne complètement fermée. La pompe peut détruire elle-même si elle est exécutée avec la vanne d'arrêt ("terminal") et la garantie sera annulée.

NOTICE:

Pour éviter la pompe sable-blocage, suivez la procédure ci-dessous lors du démarrage de la pompe pour la première fois. Ne commencez jamais une pompe avec la vanne complètement ouverte sauf si vous avez fait cette première procédure.

1. Connectez un coude de tuyau, une courte longueur de tuyau et une vanne à la décharge de la pompe à la tête du puits (voyez la Figure 3).
2. Montez le contrôle du moteur submersible (3-fil pompe) ou le sectionneur à fusibles (2-fil pompe) dans un endroit en permanence aux intempéries. Assurez-vous que les contrôles ne seront pas soumis à une chaleur extrême ou à l'excès d'humidité.
3. Assurez-vous que les contrôles sont en position fermée.
4. Connectez les fils du moteur et la source de courant au contrôle du moteur submersible ou le démarreur magnétique (Voyez les Schémas de câblage de l'Installation).

NE DEMARRE PAS ENCORE LA POMPE.

5. Mettez la vanne sur la décharge 1/3 ouvert; commencez à pomper (Voyez la Figure 3).
6. Conservez la vane sur cet appareil lorsque l'eau pompe dehors sur la terre. Laisser couler jusqu'à ce que l'eau soit claire de sable ou de limon. (Pour vérifier les solides dans l'eau, remplissez un verre de pompe et laissez les solides se déposer).
7. Lorsque l'eau est tout à fait clair sur 1/3 appareil, ouvrez la vanne environ deux-troisième ouvrez et répétez le processus.
8. Lorsque l'eau est tout à fait clair sur 2/3 appareil, ouvrez la vanne complètement et fonctionnez la pompe jusque l'eau est complètement claire.
9. Retirez la vanne pour l' installation permanente près du reservoir (Voyez la Figure 4 et 5).
10. Installez l'étanchéité du puits ou une fosse moins l'unité de l'adaptateur, l' unite du puits, le conduit électrique et le tuyau de la surface. L'installation doit répondre à toutes les exigences du code qui s'appliquent.

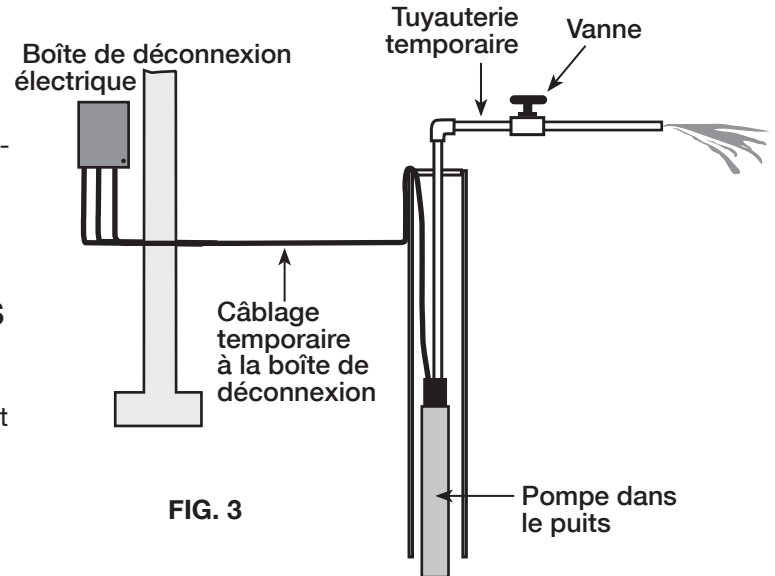


FIG. 3

LES CONNEXIONS TEMPORAIRES PENDANT LE NETTOYAGE ET POUR LE DÉMARRAGE

Connectez au Réservoir / au Système de l'Eau

ADVERTISSEMENT La pression dangereuse. Les pompes Submersibles peuvent développer très haute pression dans certaines situations. Pour éviter réservoir exploser, installez une soupape de limitation de pression qui peut passer plein flowat de pompe 100PSI (690kPa).

ATTENTION Le composant du joint du tuyau peut provoquer des fissures dans le plastique. Utilisez seulement le ruban de téflon sur les joints dans le tuyau en plastique.

NOTICE:

Permettez pompe ou de la tuyauterie de geler peut gravement endommager la pompe et annulera la garantie. Protégez la pompe et la tuyauterie entière (y compris le réservoir de pression) du gel.

Raccordement du Réservoir de Pression pré-chargée

Voyez la Figure.4 pour le raccordement de la tuyauterie arête Réservoir de Pression pré-chargée

NOTICE:

Vérifiez le précharge d'air dans le réservoir avant de commencer la pompe. Réglez le pré-charge à 2 PSI(13.8kPa) sous l'appareil de coupe de la pompe, (ie, un réservoir de pré-charge utilisé avec un interrupteur de 30-50 doit être pré-charge avec l'air à 28 PSI(193.1kPa). Réglez le pré-charge en ajoutant ou diffusant l'air à travers la valve du pneu située sur le dessus du réservoir. Vérifiez le précharge annuellement et Réglez au besoin.

INSTALLATIONS

Information Electrique et Important de Mise à la terre

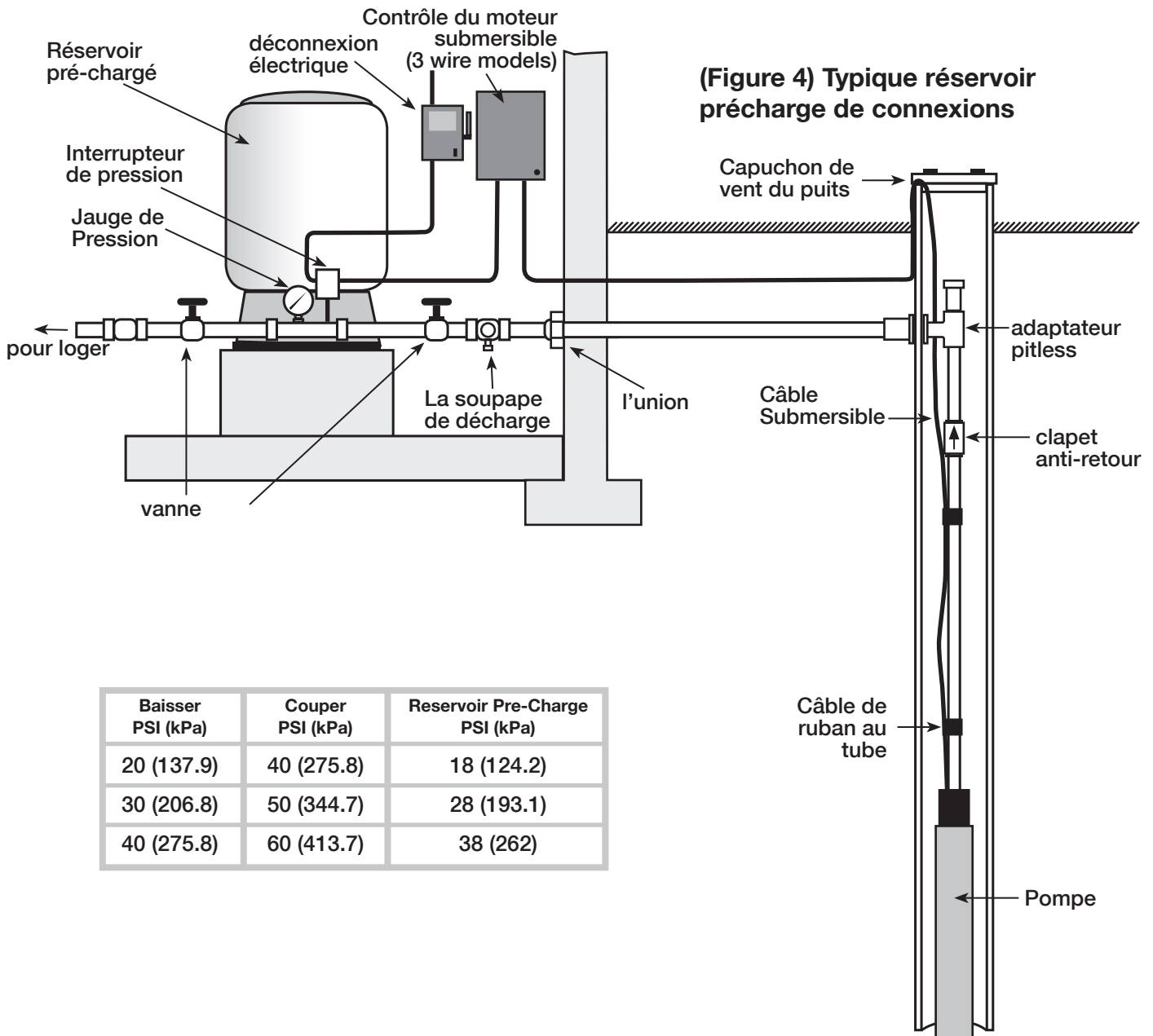
⚠ DANGER le voltage dangereux, Peut choquer, brûler ou tuer. Pour réduire le risque de choc électrique lors du fonctionnement de la pompe, mettez en terre et reliez la pompe et le moteur comme suivants:

A. Pour réduire le risque de choc électrique des parts métalliques de l'assemblage autres que la pompe, reliez ensemble toutes les parts métalliques accessibles à la tête de puits (y compris le tuyau de décharge de métal, le tubage de metal du puits, et les similaires). Utilisez un métal reliant le conducteur au moins aussi grand que les conducteurs du câble de puissance en cours d'exécution dans le puits au moteur de la pompe.

B. Pincez ou soudez (ou tous les deux si c'est nécessaire) cette liaison du conducteur à la terre, ça veut dire qu'il est fourni avec la pompe, qui sera la borne de mise à la terre, le conducteur à la terre sur le tuyau de la pompe, ou un fil de mise à la terre. Le fil de mise à la terre, lors d'être fourni, sera le conducteur ayant une isolation verte; il peut aussi avoir une ou plusieurs rayures jaunes

C. Mettez la pompe, le moteur, et tout conduit métallique à la terre qui porte des conducteurs du câble de puissance. Mettez-les à la terre en retour au service en connectant un conducteur en cuivre de la pompe, du moteur, et du conduit à la vis de terre fourni à l'intérieur du compartiment de câblage du boîtier de l'offre de connexion. Ce conducteur doit au moins aussi grand que les conducteurs de circuit fournissant la pompe.

CONSERVEZ CES INSTRUCTIONS.



(Figure 4) Typique réservoir précharge de connexions

Baisser PSI (kPa)	Couper PSI (kPa)	Reservoir Pre-Charge PSI (kPa)
20 (137.9)	40 (275.8)	18 (124.2)
30 (206.8)	50 (344.7)	28 (193.1)
40 (275.8)	60 (413.7)	38 (262)

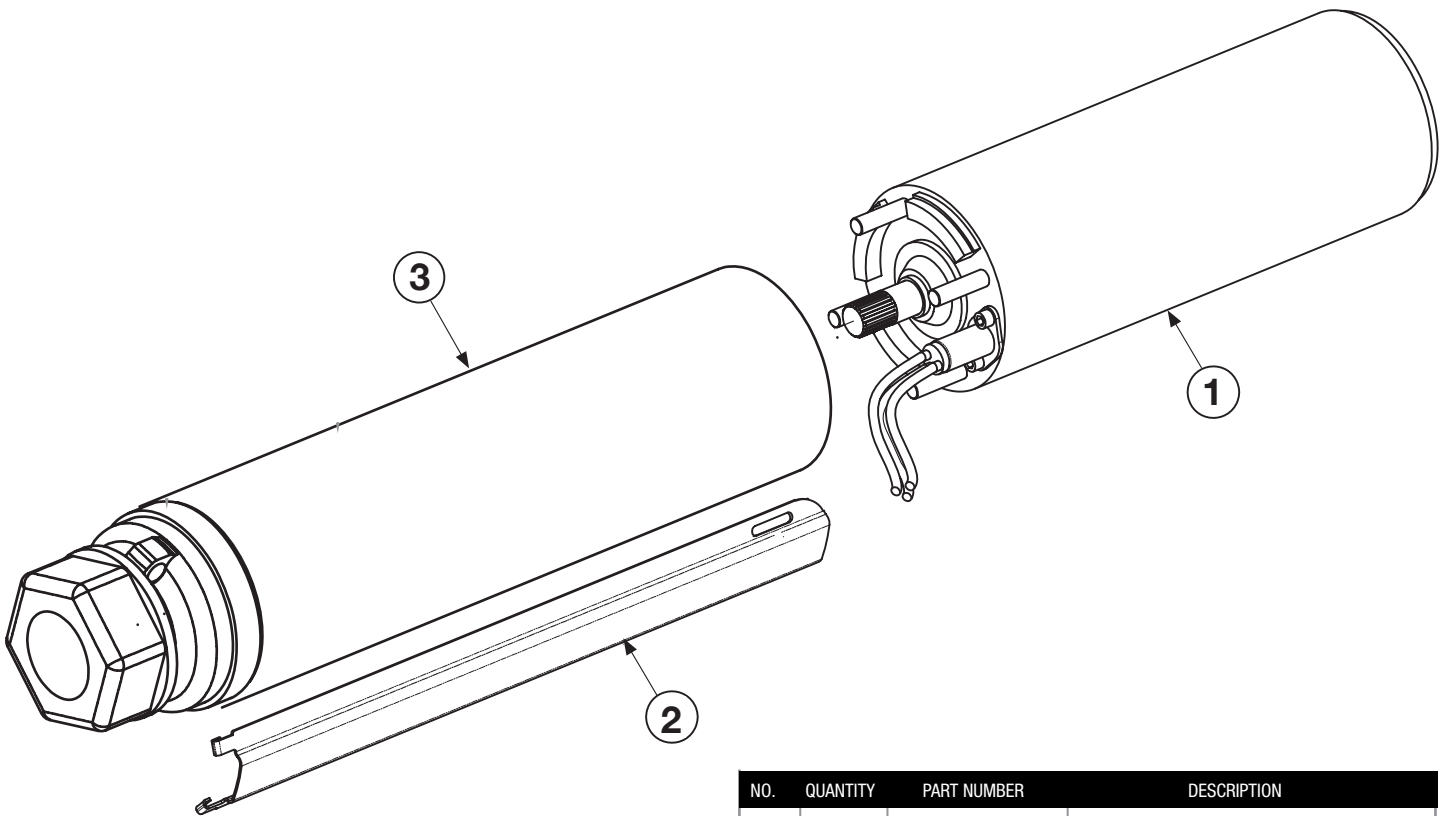
Pour les parts ou l'aid, téléphonez au Service de clientele de ECO-FLO 1-877 326-3561

DEPANNAGE

PROBLEME	VERIFIER	ACTION CORRECTE
LE MOTEUR NE DEMARRE PAS MAIS LES FUSIBLES NE SAUTENT PAS Pas de voltage	Pas de voltage au contrôle du moteur submersible ou débranchez l'interrupteur Pas de voltage à l'interrupteur de pression. Pas de voltage au contrôle du moteur submersible Câble ou les épissures mals Commande de moteur submersible mal câblé.	Remplacez les fusibles Remplacez le pressostat défectueux. Recâblez l'offre à la commande de moteur submersible. Consultez l'électricien agréé ou un réparateur. Rebranchez le contrôle moteur submersible correctement (voyez les diagrammes d'installation de câblage).
LES FUSIBLES SAUTENT OU LA PROTECTION DE SURCHARGE SE DECLENCHÉ LORSQUE LE MOTEUR COMMENCE		
Fusible de mauvaise taille ou vérifiez incorrectement fusible temporisé de la taille.	la taille de fusible avec le tableau, Page3.	Installez le fusible correct ou un fusible temporisé.
Le calibre du fil trop petit.	Vérifiez la taille du fil avec le tableau, Page3.	Installez le fil de taille correcte.
Démarrant le condensateur défectueux, la taille grillé ou fausse voltage bas ou haut	Vérifiez la commande de moteur submersible si condensateur de	Remplacez condensateur de démarrage. Remplacer le relais de démarrage si c'est défectueux.
la taille grillé ou fausse voltage bas ou haut	démarrage a soufflé. Vérifiez la note du condensateur. Vérifiez le relais de démarrage. Vérifiez que la tension de la ligne est de $\pm 10\%$ de la plaque signalétique du voltage nominale lorsque le moteur est en marche.	Si la variation du voltage est supérieure à $\pm 10\%$, appeler la société de pouvoir ou d'autorité hydro local pour ajuster le voltage.
Les plombs du fil de la source de courant pas correctement connecté au contrôle du moteur submersible.	Vérifiez le schéma de câblage du contrôle du moteur submersible contre le branchement de puissance en venant. Vérifiez le codage de couleur du fil de la source de courant	Rebranchez conduit à correspondre le schéma de câblage dans le couvercle de commande du moteur submersible. Rebranchez les fils de puissance de sorte que le code de couleur de fil correspond au moteur de code de couleur de plomb.
Le fil cassé dans le contrôle moteur submersible.	Examinez toutes les connexions et le câblage dans la commande de moteur submersible.	Coupez la puissance et réparez ou remplacez le fil défectueux.
La pompe ou le moteur coincés ou contraignant.	Vérifiez l'axe bloqué dans la pompe.	Si nécessaire, poussez la pompe (faites toutes les vérifications possibles hors sol en premier). Si la pompe est verrouillée, remplacez-le. Nettoyez bien de tout le sable ou les chaux avant de réinstaller la pompe.
Épissures du fil de la source de courant ou les fils du moteur à la terre, court-circuit, ou ouvert.	Consultez l'électricien agréé ou un réparateur qualifié.	Ne tentez pas de démonter la pompe ou le moteur.
LES FUSIBLES SAUTENT OU LA PROTECTION DE SURCHARGE SE DECLENCHÉ LORSQUE LE MOTEUR MARCHE		
voltage bas ou haut.	Vérifiez que le voltage de la ligne est de $\pm 10\%$ de la tension nominale de la plaque signalétique moteur en marche.	Si la variation du voltage est supérieure à $\pm 10\%$, appelez la compagnie d'électricité pour ajuster le voltage.
Haut ambiante (atmosphérique) température.	Vérifier la température de la commande de moteur submersible.	Ne montez pas la lumière indirect du contrôle de moteur submersible
Commande du moteur submersible avec mauvais voltage ou puissance de cheval nominale.	Comparez le voltage et la puissance de cheval sur plaque signalétique du moteur submersible ou sur le schéma de circuit à l'intérieur du couvercle de commande du moteur submersible	Remplacer la commande de moteur submersible si les numéros ne correspondent pas. Utilisez uniquement le contrôle moteur submersible conçu pour une utilisation avec la pompe.
Le calibre du fil trop petit.	Vérifiez la taille du fil avec le tableau,Page3.	Installez la taille du fil correcte.
LA POMPE DEMARRE PAS TROP SOUVENT Les fuites dans le système.	Vérifiez toutes les connexions du réservoir avec la mousse de savon pour détecter les fuites d'air. Vérifier la plomberie pour les fuites.	Le système doit être de l'air et étanche à l'eau.
Pressostat.	Vérifiez l'interrupteur défectueux ou changez de réglage.	Re-ajusteur remplace l'interrupteur de pression.
Les clapets anti-fuites.	Assurez-vous que les clapets ne fuient pas en arrière.	Remplacez les soupapes de contrôle si nécessaire.
gorgé d'eau. du réservoir	Reservoirspré-chargées:vérifiez la pression de l'air pré-charge du réservoir vérifier les fuites dans la vessie.	Pré-chargez les réservoirs: ajustez la pression de l'air à 2PSI(13.8kPa) inférieure à la pression de seuil dans la pompe (quand il n'y a pas de pression sur le système). Remplacez la vessie si nécessaire.
Fuite dans le tuyau de descente.	Air au-dessus des réservoirs d'eau: vérifiez les fuites d'air Vérifiez Le Contrôle du volume d'air (CVA).	Air sur les réservoirs d'eau: réparez ou remplacez les réservoirs, remplacez CVA si nécessaire.
Interrupteur de pression trop loin du réservoir.	Soulevez le tuyau de descente d'une longueur à la fois jusqu'à ce que l'eau est dans le tuyau. Mesurez la distance entre le commutateur de pression dans le réservoir.	Remplacez tuyau au-dessus de ce point. Mettez le commutateur à 1' (. 3M) du réservoir.
PEU OU PAS D'EAU DISTRIBUEE Le clapet est coincé ou installé à l'envers (réservoir standard seulement). Niveau bas d'eau.	Examinez la vanne. Déterminez le plus bas niveau de l'eau dans le puits lorsque la pompe est en marche et comparez pour pomper réglage de la profondeur.	Si coincé, valve libre, s'il est installé en arrière, l'inverser. Pompe inférieure plus loin dans le puits (mais au moins 5' (1,5 M) au-dessus de fond de puits). La pompe de laminage décharge jusqu'à la sortie est égale à taux de puits de récupération. NOTICE: Faire fonctionner la pompe tandis que l'air enfermé peut provoquer la perte de prime et endommager sérieusement la pompe.
Voltage bas.	Vérifiez le voltage à commande de moteur submersible avec le fonctionnement de la pompe.Vérifiez la taille du fil et de puissance taille entrant fil avec le tableau,Page3.	Installez le fil plus gros du mètre au contrôle du moteur submersible. Installez le fil plus gros de la commande de moteur submersible pour pomper. Si nécessaire, ayez le voltage d'offre en augmentation de la compagnie d'électricité
La grille d'entrée branché.	Retirez la pompe et vérifiez l'état de l'écran.	Nettoyez ou remplacez si nécessaire.
Clapet anti-retour au refoulement de la pompe coincé. Refoulement de la pompe.	Retirez la pompe et examinez le clapet anti-retour.	Le clapet anti-retour libre.
Les impelleurs et les diffuseurs usés	Assurez-vous que le système est libre de tout obstacle et de la pompe est dans l'eau solide et fonctionne normalement.	Remplacez la pompe.
L'AIR OU L'EAU LAITEUX DECHARGE DU ROBINET		
Gaz dans l'eau de puits.	Vérification de la présence de gaz dans l'eau de puits	Retirez les orifices de purge; branches les tees. Assurez-vous que les tees branchés ne fuient pas. Si nécessaire, le gaz séparé de l'air avant son entrée dans le réservoir sous pression. Remplacez la commande si nécessaire
Contrôle du volume d'air ne fonctionne pas (réservoirs du standard uniquement)	Assurez-vous que les ports et les clapets anti-retour à billes sont claires.	

Pour les parts ou l'aide, téléphonez au Service de clientèle de ECO-FLO 1-877 326-3561

SUBMERSIBLE PUMP REPAIR PARTS



NO.	QUANTITY	PART NUMBER	DESCRIPTION
1	1	EFSUP0501	Moteur 1/2HP 2W 115V
		EFSUP0502	Moteur 1/2HP 2W 230V
		EFSUP0503	Moteur 1/2HP 3W 230V
		EFSUP0751	Moteur 3/4HP 2W 230V
		EFSUP0752	Moteur 3/4HP 3W 230V
		EFSUP1001	Moteur 1HP 2W 230V
		EFSUP1002	Moteur 1HP 3W 230V
		EFSUP1501	Moteur 1-1/2HP 3W 230V
		EFSUP1502	Moteur 1-1/2HP 2W 230V
2	1	EFSUP1003	Garde de Fil
		EFSUP0506	Garde de Fil
		EFSUP1503	Garde de Fil
		EFSUP0753	Garde de Fil
		EFSUP1004	Garde de Fil
		EFSUP1504	Garde de Fil
3	1	EFSUP1005	La cartouche 5 étapes
		EFSUP0508	La cartouche 6 étapes
		EFSUP1505	La cartouche 7 étapes
		EFSUP0754	La cartouche 9 étapes
		EFSUP1006	La cartouche 12 étapes
		EFSUP1506	La cartouche 16 étapes

Pour les parts ou l'aide, téléphonez au Service de clientèle de ECO-FLO 1-877 326-3561

GARANTIE

Conservez la facture d'achat d'origine pour la garantie d'admissibilité

La Garantie Limitée

Le fabricant garantit à l'acheteur original («Acheteur» ou «Vous») que ses produits sont exempts de défauts de matériaux et de fabrication pour une période de douze (12) mois à compter de la date de l'achat par le consommateur. Si, dans les douze (12) mois à compter de l'achat au détail original, tout produit s'avère défectueux, il doit être réparé ou remplacé, au choix du fabricant, dépend des modalités et conditions énoncées dans les présentes. Notez que cette garantie limitée s'applique aux défauts de fabrication seulement et non à l'usure normale. Tous les appareils mécaniques ont besoin de pièces et de service périodiques pour marcher le puit. Cette garantie limitée ne couvre pas les réparations quand l'usure normale a épuisé la durée d'une partie ou de l'équipement.

L'étiquette facture d'achat et la garantie du produit d'origine des informations sont nécessaires pour déterminer l'admissibilité garantie. L'admissibilité est basée sur la date d'achat ou d'un produit d'origine - pas la date de remplacement sous la garantie. La garantie est limitée à la réparation ou le remplacement du produit acheté d'origine seulement, pas le produit de remplacement (c'est à dire le remplacement d'une garantie autorisé par achat).

L'acheteur paie tout retrait, l'installation, la main-d'œuvre, le transport et les frais accessoires.

Les réclamations faites en vertu de cette garantie doit être faite en contactant et retourner le produit à l'usine immédiatement après la découverte ou toute irrégularité alléguée. Aucune demande de service ne sera acceptée si elle est reçue plus de 30 jours après l'expiration de la garantie. La garantie n'est pas transférable et ne s'applique pas aux produits utilisés dans des applications commerciales / de location.

Les termes et les conditions généraux; Les limitations de recours

Vous devez payer tous les travaux et les charges nécessaires au remplacement du produit couvert par cette garantie.

Cette garantie ne s'applique pas à ce qui suit: (1) les actes de Dieu; (2) les produits qui, dans le seul jugement de fabricant, ont fait l'objet de négligence, d'abus, d'un accident, une mauvaise utilisation, l'altération ou la modification; (3) les défaillances dues à une mauvaise installation, l'exploitation, l'entretien ou le stockage; (4) l'application, l'utilisation, ou le service atypique ou non approuvé; (5) les défaillances causées par la corrosion, la rouille ou d'autres matières étrangères dans le système, ou le fonctionnement à des pressions supérieures à la limite maximale recommandée.

Cette garantie définit la seule obligation du fabricant et le recours exclusif de l'acheteur des produits défectueux.

Le fabricant ne peut être tenu responsable des dommages indirects, accessoires, ou continent que ce soit. Les précédentes garanties limitée sont exclusives et au lieu de toutes les autres garanties expresses et implicites, y compris mais non limité aux garanties implicites de qualité marchande et d'adéquation à un usage particulier. Les précédentes garanties limitée ne doivent pas s'étendre au-delà de la durée prévue aux présentes.

Certains états ne permettent pas l'exclusion ou la limitation des dommages accessoires ou consécutifs ou les limitations limitations sur la durée d'une garantie implicite, de sorte que les limitations ou les exclusions ci-dessus peuvent ne pas vous concerner. Cette garantie vous donne des droits légaux spécifiques et vous pouvez également avoir d'autres droits qui varient d'un État à l'autre.



1899 Cottage Street, Ashland, Ohio 44805

Téléphonez: 1-877-326-3561

Fax: 1-877-326-1994

www.ecofloproducts.com



Manual del usuario

4" Bombas sumergibles

Dos & Tres Cables, 1/2 a través de 1-1/2



TABLA DE CONTENIDO

Selección de bombas.26-27
Seguridad general. 28
Eléctrico	29-30
Instalación31-33
solución de problemas. 34
Piezas de reparación.35
Garantía.36



Parada Antes de empezar

Selección de la bomba correcta

Antes de quitar y volver a instalar su bomba sumergible para pozo, vamos a revisar su condición bien y las capacidades de las bombas.

INFORMACIÓN DE REGISTRO DE POZO

El perforador que perforó su pozo debería haber dado un “registro de pozo” que resume el:

- A. Profundidad de que el pozo se perforó, es decir, 170 pies. Desde la superficie.
- B. Profundidad a qué nivel se elevó del agua en el pozo, es decir, 130 ft. de la superficie
- C. Profundidad a qué nivel del agua bajó a con el bombeo de la bomba de prueba en su bienestar, es decir, se redujo 20 ‘a 150’ de la superficie cuando se bombea continuamente
- D. Los galones por minuto de la bomba bombeado, es decir, 10 GPM

En algunos condados de esta información es registrada en la oficina de salud u otras oficinas del condado y / o el perforador puede haber retenido la información en el expediente del perforador.

Se necesita una copia del registro de pozo o esta información viene del registro de pozo también.

Si usted no puede encontrar el registro así, tendrá que caer una cuerda ponderado en el pozo para:

- A. Registre la profundidad cuando golpeó el fondo del pozo.
- B. La profundidad a la cual el agua está de pie en el pozo, es decir, la longitud de la cadena desde la final ponderada de la cadena que está mojado.

NOTA, la bomba necesita ser instalado 5 ‘por encima del fondo del pozo y 15-20 ‘debajo de la superficie de la columna de agua en el pozo.

DISEÑO DE LA BOMBA 4" Y RENDIMIENTO ÓPTIMO

Esta bomba está diseñada para bombear 10 galones por minuto (10 GPM), que es (3-4 dormitorios) uso del tamaño promedio del hogar de agua por minuto. Casas más grandes requerirán bombas más grandes.

Pozos profundos requieren mayor potencia para suministrar agua a la casa. Vea la tabla de la derecha para asegurarse de que ha elegido la potencia correcta para su aplicación.

SELECCIÓN ADECUADA DE LA BOMBA 4 "

HP	GPM	PROFUNDIDAD DE LA BOMBA EN POZO
1/2	10	60-100'
3/4	10	100-175'
1	10	175-250'
1-1/2	10	más que 250'

VOLTAJE

4 "bombas sumergibles se ofrecen en dos voltajes, 115 o 230V.

Asegúrese de seleccionar una bomba cuyo voltaje del motor coincida con el voltaje en el pozo

NÚMERO DE CABLES DE BOMBA Y CAJAS DE CONTROL

Bombas 4" se ofrecen en cualquiera de 2 hilos o 3 hilos, lo que indica el número de cables que van desde el motor de la bomba.

Motores de 2 hilos tienen 3 cables que van desde el motor, 2 para proporcionar el servicio eléctrico y 1 cable de tierra. Los controles de motor están en el motor en el pozo.

Motores de 3 hilos tienen 4 cables que van desde el motor, 3 para proporcionar el servicio eléctrico y 1 cable de tierra. Estos motores requieren una caja de control del motor montado en la pared cerca de su tanque de presión de agua.

Motores de 2 hilos normalmente sólo se utilizan en los pozos de menos de 300 'profundidades y motores de 3 hilos pueden ser utilizados en pozos a cualquier profundidad.

Algunos usuarios prefieren que sus controles de motor estén fácilmente disponibles para el servicio. Una bomba de 3 cables con caja de control montado cerca del tanque proporciona facilidad de servicio.

Componentes de inicio con 3 hilos incluyendo condensadores y relés se encuentra en la caja de control para facilitar el servicio. Componentes de arranque de 2 hilos están dentro del motor de la bomba herméticamente cerrada y rara vez fallan. Si falla ocurre, se debe reemplazar la bomba.

NOTA: El control de voltaje caja y caballos de fuerza deben coincidir con la tensión de la bomba y la potencia.

BOMBA		CAJA DE CONTROL	
HP	VOLTAJE	HP	VOLTAJE
1/2	115	1/2	115
1/2	230	1/2	230
3/4	230	3/4	230
1	230	1	230
1-1/2	230	1-1/2	230

CONFIRMACIÓN DE SELECCIÓN

Sabiendo lo anterior y antes de instalar o quitar y volver a instalar su "bomba 4, por favor confirm lo siguiente:

- La correcta de HP para obtener la profundidad de la bomba estará en el pozo.
- La correcta GPM (galones por minuto) para su aplicación.
- La tensión correcta
- El número correcto de cables
- La caja de control correcto (si es aplicable)


SEGURIDAD GENERAL


Las etiquetas de seguridad importantes


Lea y siga cuidadosamente todas las instrucciones de seguridad en este manual y en la bomba.


GUARDE ESTAS INSTRUCCIONES - Este manual contiene instrucciones importantes que deben seguirse durante la instalación, operación y mantenimiento del producto. Guarde este manual para referencia en el futuro.

Etiquetas de seguridad

 Este es el símbolo de alerta de seguridad. Cuando vea este símbolo en su bomba o en este manual, busque una de las siguientes palabras de señal y esté alerta a la posibilidad de lesiones personales!


 **PELIGRO** Indica un peligro que, si no se evita, provocará la muerte o lesiones graves.

 **PRECAUCION** Indica un peligro que, si no se evita, podría causar la muerte o lesiones graves.


 **ADVERTENCIA** Indica un peligro que, si no se evita, podría causar lesiones leves o moderadas.

NOTICIA indica prácticas no relacionadas con lesiones personales.

Mantenga las etiquetas de seguridad en buenas condiciones. Reemplace las etiquetas de seguridad faltante o dañada.


 **PRECAUCION** Bajo ciertas condiciones, las bombas sumergibles **PRESIÓN PELIGROSA** pueden desarrollar una presión extremadamente alta. Instale una válvula de alivio de presión capaz de pasar todo el caudal de la bomba a 100 psi (690 kPa).


 **PRECAUCION** No permita que la bomba, tanque de presión, tuberías o cualquier otro componente del sistema que contiene el agua se congele. La congelación puede dañar el sistema, dando lugar a lesiones o inundaciones. Permitir componentes de la bomba o del sistema se congele, se anulará la garantía

 **PELIGRO** Puede causar choque, quemaduras o la muerte. **VOLTAJE PELIGROSA** Para evitar choques eléctricos peligrosos o fatales, use solamente la bomba, es decir, en un pozo de agua.

No instale esta bomba en un estanque, río u otro cuerpo de agua que se podría utilizar para el baño o la recreación. No nadar, caminar o jugar en un cuerpo de agua en el que una bomba sumergible se ha instalado.

 **PRECAUCION** Instale suelo y la bomba de alambre según ción a las necesidades locales y el Código Eléctrico Canadiense o del Código Eléctrico Nacional que se aplican.

 **PELIGRO** Desconecte el suministro de energía eléctrica antes de instalar o dar servicio a la bomba.

 **PRECAUCION** Asegúrese de que la tensión de línea coincida con el voltaje y la frecuencia de la bomba.

Instale la bomba according a todos los requisitos de plomería, de bombas y de código también.

Prueba de agua de pozo para la pureza antes de usar también. Llame a su departamento de salud local para el procedimiento de prueba.

Durante la instalación, tenga bien cubierto para evitar que las hojas y materias extrañas de ing otoño- en el pozo. Objetos extraños en el pozo pueden contaminar el agua y causar graves daños a la bomba mecánica.

Tubo compuesto para juntas puede causar grietas en los plásticos. Utilice sólo la cinta de teflón para sellar las juntas en tuberías de plástico o tubo de conexión con las bombas termoplástica.

Para piezas o asistencia, llame a ECO-FLO Servicio al Cliente al 1-877 326-3561

⚠ PRECAUCIÓN

PRESIÓN PELIGROSA

Puede causar choque, quemaduras o la muerte. Conexión permanente a tierra de la bomba, el motor y el control motor sumergible antes de conectar la fuente de alimentación al motor.

Planta motor sumergible de acuerdo con todos los códigos y reglamentos que correspondan. Utilice cobre cable a tierra por lo menos tan grande como los cables que llevan la corriente al motor.

El motor se entrega con el cable de tierra de cobre. Empalme de conductores de cobre que coincide con el tamaño del cable del motor especificada en Cuadro 3 Ver “empalme de cable” en proceso de instalación.

Conexión permanente a tierra de la bomba, el motor y el control motor sumergible antes de conectar el cable de alimentación a la fuente de alimentación. Conecte el cable de tierra a tierra aprobada en primer lugar, a continuación, conecte el equipo que se está instalando.

Conexiones de cableado

Todo el cableado debe cumplir con el Código Eléctrico Canadiense o Nacional

Requisitos de los códigos locales y el Código Eléctrico.

Utilice únicamente cable de cobre para las conexiones a la bomba y el control motor sumergible.

Tabla 1: Dato de los fusibles recomendados - 60 Hz, monofásico, 3 cables de Motores de bombas sumergibles

HP	Volts	Tamaño de fusible	
		Estándar	Dual Elemento
1/2	230	20	10
3/4	230	25	15
1	230	30	20
1-1/2	230	35	20

Tabla 2: Dato de los fusibles recomendados - 60 Hz, monofásico, 2 cables de Motores de bombas sumergibles

HP	Volts	Tamaño de fusible	
		Estándar	Dual Elemento
1/2	115	35	20
3/4	230	20	10
1	230	25	15
1-1/2	230	30	20

Para evitar el sobrecalentamiento del alambre y la caída de tensión excesiva en el motor, el tamaño del cable sea segura es al menos tan grande como el tamaño que aparece en la Tabla 3 para su bomba caballos de fuerza y la longitud de tendido de cables.

AVISO: Consulte instalación diagramas de cableado para conexiones de cableado típicos y la identificación de control del motor sumergible.

INSTRUCCIONES DE INSTALACION

Desconecte la corriente antes de trabajar en o alrededor sumergible de control de motores, tuberías, cables, bomba o el motor.

Control de motor sumergible de tierra, todo el marco de tuberías metálicas y el motor con cable de cobre de acuerdo con el Código Eléctrico Canadiense o Código Eléctrico Nacional y los códigos locales. Utilice el cable de tierra al menos tan grande como los cables que suministran energía al motor.

En boca de pozo, conecte el cable de tierra al terminal de tierra que cumpla con los requisitos del Código Eléctrico Canadiense o del Código Eléctrico Nacional que se aplican. Para obtener más información, póngase en contacto con funcionarios del código local.

Permanentemente cerrar todas las aberturas no utilizadas en este y otros equipos.

Nota:

Instale el control de motor sumergible verticalmente en la pared con la parte superior hacia arriba. Bombas de 3 conductores tienen tres cables de alimentación (rojo / negro / amarillo) y un cable de tierra (verde)

3 bombas de cable no funcionará sin el control motor sumergible; intentar hacerlo se quemará el motor.

Las instalaciones deben incluir circuito y protección de los componentes de acuerdo con Código Eléctrico de EE.UU. o Código Eléctrico Canadiense, Par 1.

Si sobrecarga principal se dispara, busque:

1. Capacitor acortado
2. Problemas de Voltaje
3. bomba sobrecargada o bloqueada

Monofásico, Instalación de 3 cables

⚠ PELIGRO Tensión peligrosa. Puede causar choque, quemaduras o muerte.

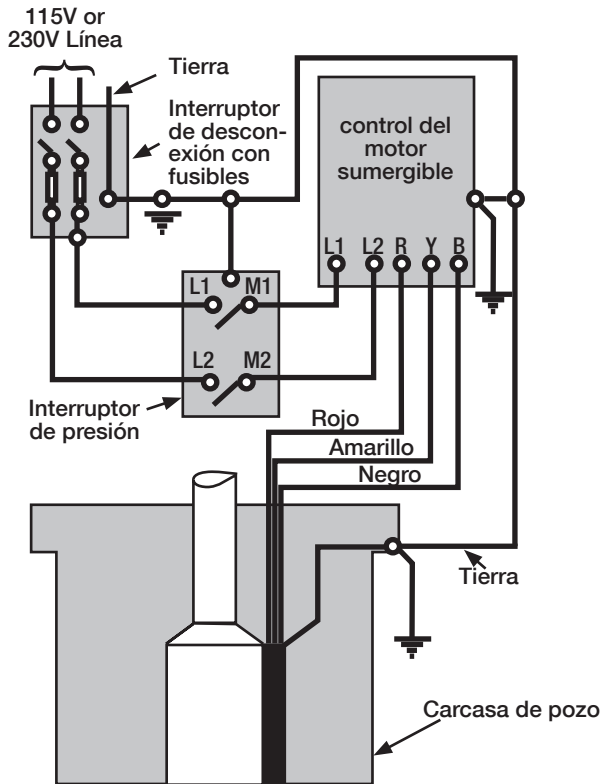


Figura 1-A

Tres cables- 1/2 a través de 1 HP Motor Sumergible control. Siga código de colores cuando conecte el control motor sumergible. (Amarillo a Y, Rojo a R, Black a B)

Monofásico, Instalación de 2 cables

⚠ PELIGRO Tensión peligrosa. Puede causar choque, quemaduras o muerte.

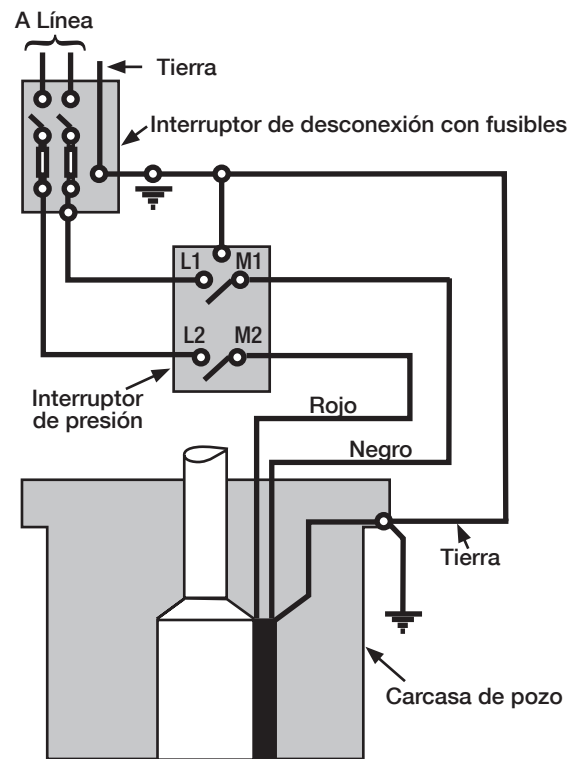


Figura 1-B

Las bombas de dos conductores tienen dos cables de alimentación (rojo / negro) y un cable a tierra. No se requiere un control de motor sumergible.

INSTALACIÓN

Empalme de cables

lambre de la rebanada de los cables del motor utilizando exclusivamente alambre de cobre para las conexiones al motor de la bomba y la caja de control.

1. Empalme cónico (Cable tamaños N ° 8 y más largo:
 - A. Cortar el cable del motor principal tambaleándose y longitud del cable de manera que el segundo conductor sea 2 “más largo que el plomo y el primer tercio de ejecución es 2” más largo que el segundo.
 - B. corte los extremos de cable de alimentación. Combina los colores y longitudes de los cables a los colores y longitudes de los cables del motor.
 - C. Recorte la instalación 1/2 “del cable de alimentación y los extremos del conductores del motor.
 - D. Inserte los conductores del motor y el cable de alimentación termina en conectores de tope. Haga coincidir los colores de cable entre los cables de alimentación y los cables del motor.
 - E. Usando los alicates que presan, orejetas del conector de tope para fijar el alambre.
 - F. Cortar eléctrica “Scotchfil™” o equivalente masilla de aislamiento en tres partes iguales y formar fuerza alrededor de los conectores de tope. Sé relleno scotch seguro superpone parte insultado de alambre.
 - G. Uso de # 33 o cinta Scotch™ equivalente, envuelva cada articulación fuertemente; cubra el cable durante aproximadamente de 1 1/2 “en cada lado de la junta. Hacer cuatro pases con la cinta. Cuando termine usted debe tener cuatro capas de cinta bien envueltos alrededor del alambre. Presione los bordes de la cinta firmemente contra el cable.
AVISO: Desde cinta bien la herida es el único medio de mantener el agua fuera de empalme, la eficiencia de empalme dependerá del cuidado que se tenga en envolver la cinta.
AVISO: Para tamaños de cable más grande que N ° 8, utilice soldada conjunta en lugar de Scotchfil™ masilla.

2. Empalme de encogimiento de calor [para cable calibre # 14, 12 y AWG (2,3 y 5 mm)]
 - A. Quite 3.8 “aislamiento de los extremos de los cables del motor y los cables de suministro de energía.
 - B. Ponga tubería del encogimiento del calor de plástico sobre los cables del motor entre la fuente de alimentación y el motor.
 - C. Partido colores de los cables y longitudes entre la fuente de alimentación y el motor.
 - D. Inserte el cable de alimentación y el cable termina en el conector trasero y engarce. Colores de los hilos del partido entre la fuente de alimentación y el motor. Tire de los cables para comprobar las conexiones.
 - E. Tubos de Centro sobre el conector de tope y aplique calor de manera uniforme con la antorcha (fósforo o encendedor no suministrar suficiente calor).
AVISO: Mantenga la antorcha en movimiento. El exceso de calor concentrados pueden dañar la tubería.

3. Empalme mecánico Kit con aislantes de plástico (de 14, 12 y 10 AWG de alambre (2, 3 y 5 mm):
 - A. Corte los cables del motor principal tambaleándose y longitud del cable para que segundo conductor sea 4 “(101.6 mm) más largo que el 1 de plomo y tercera ventaja es de 4” (101.6 mm) más largo que el segundo.
 - B. Cortar los extremos del cable colores a juego y las longitudes de los cables entre la fuente de alimentación y el motor.
 - C. Recorte aislamiento posterior media “(12,7 mm) de cable de alimentación y el cable del motor termina.
 - D. Destornille las tapas de plástico de los aisladores. Coloque una manga junta de la tapa y neopreno en cada cable a empalmar.
 - E. Deslice cuerpo aislante sobre un extremo del alambre.
 - F. Inserte el extremo del cable en el conector trasero y engarce. Colores de los hilos del partido entre la fuente de alimentación y el motor
 - G. Center cuerpo aislante sobre manguitos de empalme y junta deslizante en el cuerpo por lo que van a ir. Tapones de rosca en el cuerpo aislante y apretar con la mano para un empalme fuerte e impermeable.

Instalación de fuente de alimentación de alambre

1. Para probar sumergible, momentáneamente (no más de 5 segundos), conéctelo a la fuente de alimentación adecuada. Frecuencia de alimentación y la tensión deben coincidir con la placa del motor de frecuencia y voltaje de $\pm 10\%$.
2. Sujete hilos conductores de suministro eléctrico de forma segura a la bomba dis sección de carga; dejar 4-5 “(100-125mm) de holgura en las derivaciones en este punto. Sujete firmemente conduce a tubo de plástico dentro 6 “(150 mm) de la sección de descarga de la bomba. Utilice guías de centrado para proteger el alambre y el tubo del roce del revestimiento del pozo.
3. Conecte el cable de tierra de cobre para el soporte del motor. Cable de tierra debe ser tan grande como los cables que suministran corriente al motor. Consulte actual Código Eléctrico Canadiense y los códigos locales para conectar a tierra la información.
4. La mayoría de las bombas “4 tienen un ojal en la descarga de las bombas para la fijación de una cuerda para ayudar en la reducción de la entrada ya la tirando de la bomba del pozo. Fije un cable de nylon de longitud adecuada para ojal
5. No utilice cables de alimentación sumergibles suministrados por el fabricante de la bomba. Al bajar de la bomba en el pozo utilizar sólo la cuerda y / o tubo de descarga, cables de suministro seguros descarguen tubo en 10 pies. (3m) con intervalos de Scotch™ # 33 o cinta eléctrica equivalente. NO dañe cables de la bomba.
AVISO: Para evitar que se caiga la bomba hacia abajo así o perjudiciales cables o empalmes, NUNCA permita que los cables de la bomba para soportar el peso de la bomba.

Para piezas o asistencia, llame a ECO-FLO Servicio al Cliente al 1-877 326-3561

INSTALACIÓN

La salida de descarga es de 1-1 / 4 "FNPT roscado.

Utilice 100 PSI (689.5kPa) tubo de plástico de polietileno clasificado para instalaciones de hasta 100 '(30,5 m) de profundidad.

Utilice 160 PSI (1103,2 kPa) nominal de plástico de polietileno para instalaciones de hasta 220 '(67.1m) de profundidad.

Para profundidades superiores a los 220 '(67.1m) utiliza tubería de acero galvanizado para la totalidad de la tubería de conducción.

ARRANQUE INICIAL / POZOS NUEVOSNOTICE:

AVISO: NUNCA opere la bomba con la válvula de puerta completamente cerrada. La bomba se destruya a sí misma si se ejecuta con válvula de cierre ("plazos dirigido") y la garantía quedará anulada.

AVISO:

Para evitar la bomba de arena-bloqueo, siga el procedimiento a continuación

al iniciar la bomba por primera vez. Nunca arranque una bomba con válvula de compuerta completamente abierta a menos que haya hecho este procedimiento primero.

Bomba en el pozo

1. Conectar un codo de tubería, un tramo corto de tubería y una válvula de compuerta de descarga de la bomba en boca de pozo (ver Fig. 3).
2. Monte de control sumergible motor (bomba de 3 hilos) o el interruptor de desconexión de fusibles (bomba de 2 hilos) en un lugar permanente a la intem perie. Asegúrese de que los controles no serán sometidos a un calor extremo o el exceso de hume dad.
3. Asegúrese que los controles estén en la posición OFF.
4. Conecte los cables del motor y fuente de alimentación para el control motor sumergible o arrancador magnético (ver Instalación Diagramas de cablea do).

NO ARRANQUE BOMBA CON TODO.

5. Conjunto válvula de compuerta en la descarga ter cera abierta; arrancar la bomba (ver Fig. 3).
6. Mantenga la válvula de compuerta en esta posición mientras el agua bombea en el suelo. Deje correr el agua hasta que esté libre de arena o limo. (Para comprobar sólidos en agua, llene un vaso de la bomba y dejar que los sólidos se asienten).
7. Cuando el agua esté completamente limpia en 1/3 del ajuste, abra la válvula de compuerta al de aproxi madamente dos tercios abierta y repita el proceso.
8. Cuando el agua esté completamente limpia en 32/3 de ajuste, abra la válvula de compuerta por com pleto y haga funcionar la bomba hasta que el agua esté completamente limpia.
9. Remove válvula de compuerta para la instalación permanente cerca del tanque (véanse las Figs. 4 y 5).
10. Instale sello sanitario o el adaptador sin fosa uni dad, así unidad, conductos eléctricos y tuberías de superficie. La instalación debe cumplir con todos los requisitos de los códigos que se aplican.

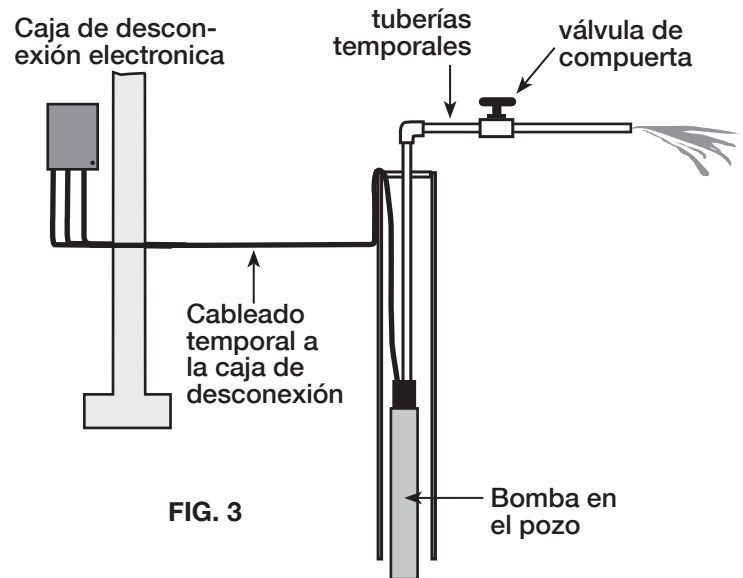


FIG. 3

CONEXIONES TEMPORALES MIENTRAS SE LIMPIA BIEN PARA LA PUESTA EN MARCHA

Conexión Para Tanque / Sistema de agua

! ADVERTENCIA Presión peligrosa. Las bombas sumergibles pueden generar mucha presión en algunas situaciones. Para evitar reventón del tanque, instale una válvula de alivio de presión capaz de pasar el flujo de la bomba a 100 psi (690 kPa).

! PRECAUCION Compuesto de juntas para tubos puede causar grietas en los plásticos. Utilice sólo la cinta de teflón en las articulaciones de tubería de plástico.

Conexión del tanque de Presión Pre-Carga

Ver Fig. 4 para conexiones de tuberías de pre-cargado el tanque de presión.

AVISO:

Compruebe precalentamiento del aire de carga en el tanque antes de arrancar la bomba. Ajuste de precarga a 2 PSI (13.8kPa) por debajo de corte en la bomba de ajuste, (es decir, un tanque de precarga se utiliza con un interruptor de 30-50 debería ser pre-cargado con aire a 28 PSI (193,1 kPa). Ajuste de carga pre-añadiendo o sangrado de aire a través de la válvula del neumático situado en la parte superior del tanque. Compruebe pre-carga anualmente y ajuste según sea necesario.

INSTALACIÓN

Información importante de Puesta a tierra



PELIGRO

Tensión peligrosa. Puede causar choque, quemaduras o muerte.

Para reducir el riesgo de descarga eléctrica durante el funcionamiento de la bomba, tierra y unir la bomba y el motor de la siguiente manera:

- Para reducir el riesgo de descarga eléctrica de las piezas metálicas de la congregación que no la bomba, se unen todas las partes metálicas accesibles en la cabeza del pozo (incluyendo tubería metálica de descarga, revestimiento del pozo de metal, y similares). Utilice un conductor de unión de metal por lo menos tan grande como los conductores del cable de alimentación que pasa por el pozo al motor de la bomba.
- abrazadera o soldadura (o ambos si es necesario) de este conductor de unión a la tierra provista con la

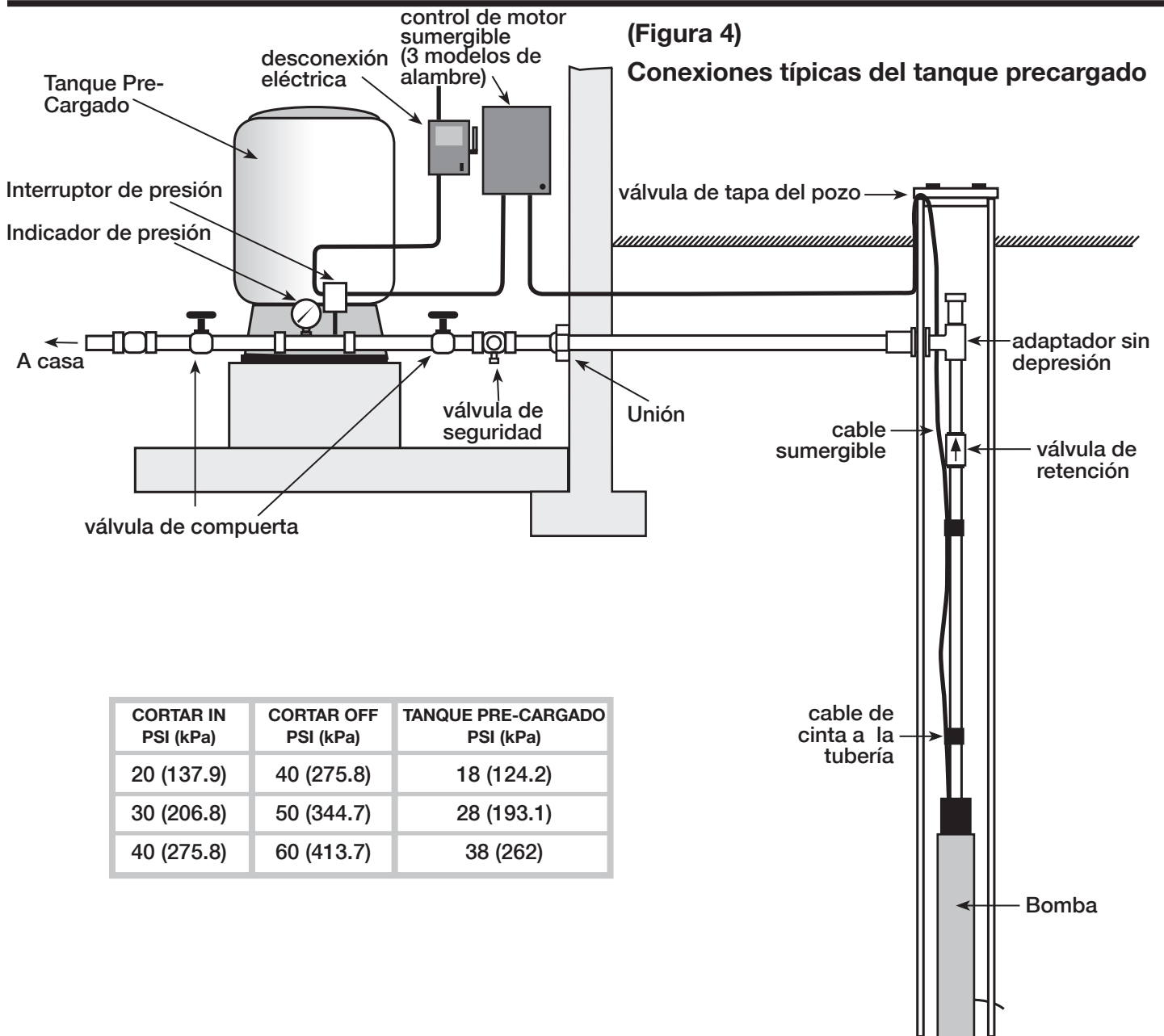
bomba, que será la terminal de tierra del equipo, el conductor de puesta a tierra en la carcasa de la bomba, o un plomo a tierra del equipo. El cable a tierra del equipo, cuando se proporciona, será el conductor con aislamiento verde; también puede tener uno o más rayas amarillas.

- Conecte a tierra la bomba, el motor y cualquier conducto metálico que lleva conductores del cable de alimentación. Conéctese a tierra estas de vuelta al ser vicio mediante la conexión de un conductor de cobre de la bomba, el motor y el conducto al tornillo de puesta a tierra siempre dentro de la conexión de alimentación del compartimiento de cableado de la caja. Este conductor debe ser al menos tan grande como los conductores del circuito que alimentan la bomba.

GUARDE ESTAS INSTRUCCIONES.

(Figura 4)

Conexiones típicas del tanque precargado



CORTAR IN PSI (kPa)	CORTAR OFF PSI (kPa)	TANQUE PRE-CARGADO PSI (kPa)
20 (137.9)	40 (275.8)	18 (124.2)
30 (206.8)	50 (344.7)	28 (193.1)
40 (275.8)	60 (413.7)	38 (262)

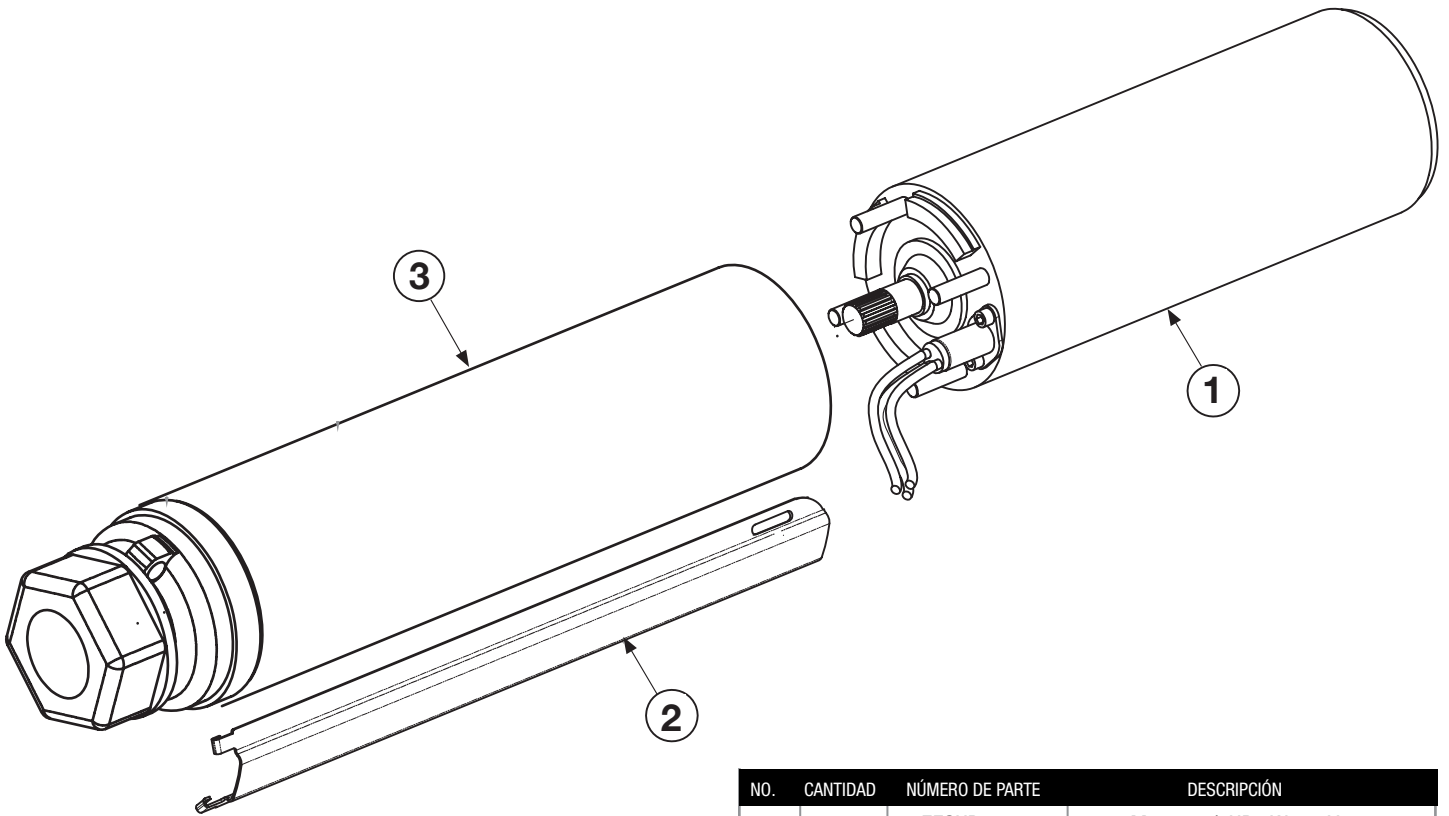
Para piezas o asistencia, llame a ECO-FLO Servicio al Cliente al 1-877 326-3561

SOLUCIÓN DE PROBLEMAS

PROBLEMA	CHQUEAR	ACCIÓN CORRECTIVA
MOTOR NO ARRANCA PERO FUSIBLES NO SOLPE No voltaje.	No hay tensión en el control motor sumergible o interruptor de desconexión. No hay tensión en el interruptor de presión. No hay tensión en el control motor sumergible. Cable o empalmes malos. De control de motor sumergible cableado incorrectamente.	Reemplace los fusibles fundidos. Reemplace el interruptor de presión defectuoso. Rewire suministro de control de motor sumergible. Consulte a un electricista con licencia o técnico. Vuelva a conectar el control motor sumergible correctamente
LOS FUSIBLES SE QUEMAN O SOBRECARGA PROTECTOR SE DISPARA CUANDO EL MOTOR ARRANCA. Fusible incorrecto tamaño o mal Tamaño tiempo fusible de retardo.	Compruebe tamaño del fusible contra gráfico, Página 3.	Instale el fusible correcto o un fusible de retardo.
El tamaño del cable demasiado pequeño. A partir condensador defectuoso, roto, o tamaño incorrecto. Baja o alta tensión. Cable de suministro de energía no conduce correctamente conectado al control motor sumergible. Roto en el control del motor sumergible. Bomba o motor pegado o unión. Empalmes de cables de alimentación o cables del motor a tierra, cortocircuito o abierta.	Compruebe el tamaño del cable contra Char. Page 3. Revise el control motor sumergible para ver si condensador de arranque se ha fundido. Verifique los valores de condensador. Verificación Iniciar relé. Compruebe que el voltaje de línea es within $\pm 10\%$ de la placa de identificación tensión nominal el motor en marcha. Consulte el diagrama de cableado de control motor sumergible contra entrante hookup.check potencia el color del cable de alimentación de codificación. Examine todas las conexiones y el cableado de control del motor sumergible. Compruebe inicio bloqueado en la bomba. Consulte a un electricista con licencia o técnico calificado.	Instale el cable del tamaño correcto. Reemplace el capacitor de arranque. Reemplace el relé de arranque si está defectuoso. Si la variación de tensión es superior a $\pm 10\%$, llame a la compañía eléctrica Administración local hidráulica para ajustar el voltaje. Vuelva a conectar los cables para que coincida con el diagrama de cableado en la cubierta del control motor sumergible. Vuelva a conectar los cables de suministro de energía para que el código de colores del cableado del motor coincide con el código de color plomo. Desconecte la energía y repare o reemplace el cable defectuoso. Si es necesario, tire de la bomba (que todos los posibles controles de tierra por encima de la primera) bomba .If está bloqueado, sustituirlo. así Clean De toda la arena o cal antes de volver a instalar la bomba. No intente desarmar la bomba o el motor.
LOS FUSIBLES SE QUEMAN O SOBRECARGA PROTECTOR SE DISPARA CUANDO EL MOTOR EN MARCHA Baja o alta tensión Ambiente alta (atmosférica) Temperatura. Control de motor sumergible con voltaje erróneo o potencia caballo. El tamaño del cable es demasiado pequeño	Compruebe que el voltaje de línea está dentro de $\pm 10\%$ de la tensión nominal placa mientras el motor esté en marcha. Revise la temperatura de control del motor sumergible. Comparar tensión y potencia del motor de la placa de nombre con los que figuran en la placa de control del motor sumergible o el diagrama del circuito interior de la cubierta de control del motor sumergible. Compruebe el tamaño del cable contra la tabla, Página 3.	Si la variación de tensión es superior a $\pm 10\%$, llame a la compañía eléctrica para ajustar el voltaje. No monte el control motor sumergible luz solar indirecta. Reemplace el control motor sumergible si los números no coinciden. Utilice sólo el control motor sumergible diseñada para su uso con la bomba. Instale el tamaño de cable correcto.
BOMBA ARRANCA CON DEMASIADA FRECUENCIA Las fugas en el sistema. El interruptor de presión. Compruebe válvulas con fugas. Agua del tanque conectado. Fuga en el tubo de bajada. El interruptor de presión está demasiado lejos de tanque.	Compruebe todas las conexiones del tanque con agua jabonosa para detectar Compruebe que no haya fugas de plomería. Compruebe que el interruptor defectuoso o cambie de ajuste. Hacer válvulas de retención de seguro no tienen fugas de vuelta. Tanques de pre-cargadas: tanque de comprobación de la presión de aire pre-carga, Compruebe si hay fugas en la vejiga. Aire más tanques de agua: comprobar si hay fugas de aire Comprobar AirVolumeControl (AVC). Criado tubería rop una longitud a la vez hasta que el agua se encuentra en la tubería. Mida la distancia desde el interruptor de presión en el tanque.	El sistema debe ser aire y hermético. Re-ajustar o reemplazar el interruptor de presión. Vuelva a colocar válvulas de retención en caso de necesidad. Tanques de precarga: ajustar la presión del aire a 2PSI (13.8kPa) Menos de presión de corte en la bomba (cuando no existe un sistema pressureon agua). Colocar la vejiga si es necesario. Aire más tanques de agua: reparar o reemplazar los tanques, reemplazan AVC si es necesario. Vuelva a colocar la tubería por encima de ese punto. Mueva el interruptor a within 1' (. 3M) del tanque.
POCO O NADA DE AGUA ENTREGADA La válvula de retención pegado O instalado al revés (tanque estándar). Bajo nivel de agua. Baja tensión. Rejilla de la entrada tapado. La válvula de retención en la descarga de la bomba pegada. Impulsores y difusores desgastados.	Examine la válvula. Determinar el nivel de agua más bajo en el pozo mientras la bomba está en funcionamiento y comparar para bombear ajuste de profundidad. Compruebe la tensión en el control motor sumergible con bomba en funcionamiento. Compruebe el tamaño del cable y fuente de alimentación de tamaño del cable de entrada contra la tabla, Page3. Tire de la bomba y comprobar el estado de la pantalla. Tire de la bomba y examine la válvula de retención. Haga sistema esté libre de obstrucciones y la bomba está en el agua sólida y funciona con normalidad.	Si pegado, válvula libre; si está instalado al revés, revertirla. Bajar la bomba adicional en el pozo (butatleast5 '(1,5 m) por encima del fondo del pozo) descarga de la bomba .TERMICA hasta el alta es igual a la tasa de recuperación del bien. AVISO: Si la bomba funciona mientras que el aire bloqueado puede causar pérdida de cebado y dañar seriamente la bomba. Instale el cable más grande de metro sumergibles de control del motor. Instale el cable más grande de control de motor sumergible de la bomba. Si es necesario, la tensión de alimentación raise compañía eléctrica. Limpie o reemplace según sea necesario. Válvula de retención gratuito. Vuelva a colocar la bomba.
DESCARGA DE AIRE O AGUA LECHOSA DE LOS GRIFOS Gas en el agua de pozo Control de volumen de aire no funciona (sólo depósitos normales).	Compruebe si hay presencia de gas en el agua de pozo. Asegúrese de que los puertos y las válvulas de retención de bola son claras.	Quite los orificios de purga; enchufe tees. Asegúrese enchufados tees no leak.If necesario, separe el gas del aire antes de que entre el tanque de presión. Reemplace el control si es necesario

Para piezas o asistencia, llame a ECO-FLO Servicio al Cliente al 1-877 326-3561

PIEZAS DE REPARACIÓN DE LA BOMBA SUMERGIBLE



NO.	CANTIDAD	NÚMERO DE PARTE	DESCRIPCIÓN
1	1	EFSUP0501	Motor 1/2HP 2W 115V
		EFSUP0502	Motor 1/2HP 2W 230V
		EFSUP0503	Motor 1/2HP 3W 230V
		EFSUP0751	Motor 3/4HP 2W 230V
		EFSUP0752	Motor 3/4HP 3W 230V
		EFSUP1001	Motor 1HP 2W 230V
		EFSUP1002	Motor 1HP 3W 230V
		EFSUP1501	Motor 1-1/2HP 3W 230V
		EFSUP1502	Motor 1-1/2HP 2W 230V
2	1	EFSUP1003	protección de alambre
		EFSUP0506	protección de alambre
		EFSUP1503	protección de alambre
		EFSUP0753	protección de alambre
		EFSUP1004	protección de alambre
		EFSUP1504	protección de alambre
3	1	EFSUP1005	Conjunto del cartucho de 5 etapas
		EFSUP0508	Conjunto del cartucho de 6 etapas
		EFSUP1505	Conjunto del cartucho de 7 etapas
		EFSUP0754	Conjunto del cartucho de 9 etapas
		EFSUP1006	Conjunto del cartucho de 12 etapas
		EFSUP1506	Conjunto del cartucho de 16 etapas

Para piezas o asistencia, llame a ECO-FLO Servicio al Cliente al 1-877 326-3561

GARANTÍA

Guarde el recibo original para Garantía de Elegibilidad

Garantía Limitada

El fabricante garantiza al comprador original ("Comprador" o "Usted") que sus productos están libres de defectos de material y mano de obra durante un periodo de doce (12) meses desde la fecha de la compra original. Si, dentro de los doce (12) meses a partir de la compra del consumidor original, cualquiera de los productos demostrara estar defectuoso, el mismo será reparado o reemplazado, a opción del fabricante, sujeto a los términos y condiciones establecidos en este documento. Tenga en cuenta que esta garantía limitada se aplica a la fabricación y no defectos de desgaste normal. Todos los legados mecánicos necesitan periódicamente repuestos y servicio para rendir bien. Esta garantía limitada no cubre la reparación cuando el uso normal haya agotado la vida útil de una pieza concreta del equipo.

La etiqueta de información del recibo de compra y la garantía del producto original, se requieren para determinar la elegibilidad de la garantía. La elegibilidad se basa en la fecha de compra o producto original - no la fecha de la sustitución de la garantía. La garantía está limitada a la reparación o sustitución del producto adquirido original solamente, no producto de reemplazo (es decir, una garantía de sustitución permitido por compra).

El comprador paga todos remoción, instalación, mano de obra, transporte, y gastos imprevistos.

Las reclamaciones en virtud de esta garantía deberá ser presentada por contacto y devolver el producto a la fábrica inmediatamente después del descubrimiento o cualquier supuestos defectos. Fabricante tomará luego la acción correctiva tan pronto como sea razonablemente posible. No se aceptarán solicitudes de servicio si se recibe más de 30 días después del vencimiento de la garantía. La garantía no es transferible y no se aplica a productos usados en aplicaciones comerciales / alquiler.

Términos y Condiciones Generales; Limitaciones de los Remedios

Usted debe pagar todo el trabajo y cargas necesarias envío para reemplazar el producto cubierto por esta garantía. Esta garantía no se aplica a lo siguiente: (1) los actos de Dios; (2) los productos que, a juicio exclusivo del fabricante, han sido objeto de negligencia, abuso, accidente, mala aplicación, manipulación o alteración; (3) los fallos debidos a la instalación, operación, mantenimiento o almacenamiento; (4) la aplicación atípica o no aprobado, uso o servicio; (5) fallas causadas por corrosión, oxidación u otros elementos extraños en el sistema, o funcionamiento a presión por encima del máximo recomendado.

Esta garantía establece la única obligación del fabricante y el único recurso del comprador por productos defectuosos.

FABRICANTE NO SE HACE RESPONSABLE POR CUALQUIER DAÑO CONSECUENTE, INCIDENTAL O CONTINGENTE. LAS GARANTÍAS ANTERIORES LIMITADA SON EXCLUSIVOS Y EN LUGAR DE TODAS LAS DEMÁS GARANTÍAS IMPLÍCITAS, INCLUYENDO PERO NO LIMITADO A LAS GARANTÍAS DE COMERCIALIZACIÓN Y APTITUD PARA UN PROPÓSITO PARTICULAR. EL PRECEDENTE GARANTÍA NO SE EXTIENDE MÁS ALLÁ DE LA DURACIÓN SE INDICA.

Algunos estados no permiten la exclusión o limitación de daños o limitaciones incidentales o consecuentes en la duración de una garantía implícita, por lo que las limitaciones o exclusiones anteriores no se apliquen a usted. Esta garantía le otorga derechos legales específicos y usted también puede tener otros derechos que varían de estado a estado.



1899 Cottage Street, Ashland, Ohio 44805

Teléfono: 1-877-326-3561

Fax: 1-877-326-1994

www.ecofloproducts.com