

**newair**<sup>®</sup>

**SKU: AH-400**

# Portable 400-watt Under Desk Heater



## **OWNER'S MANUAL**

*Read and save these instructions.*



**Intertek**  
Manual v1.2

---

# READ AND SAVE THESE INSTRUCTIONS.

---

## TABLE OF CONTENTS

Register Your Product Online.....	3
Safety Information & Warnings .....	4
Unpacking & Set-Up Instructions.....	6
Operating Instructions .....	6
Cleaning & Storage.....	7
Limited Manufacturer's Warranty .....	8

## SPECIFICATIONS

<b>MODEL NO.</b>	AH-400
<b>VOLTAGE:</b>	120V
<b>AMPS:</b>	3.3 Amps
<b>FREQUENCY:</b>	60Hz
<b>COVERAGE AREA:</b>	40 square feet
<b>HEAT OUTPUT:</b>	1360 BTUs
<b>DIMENSIONS:</b>	0.50"D (5.25" w/feet) x 21.00"W x 15.25"H

## REGISTER YOUR PRODUCT ONLINE

### Register Your NewAir Product Online Today!

Take advantage of all the benefits product registration has to offer:



#### Service and Support

Diagnose troubleshooting and service issues faster and more accurately



#### Recall Notifications

Stay up to date for safety, system updates and recall notifications



#### Special Promotions

Opt-in for NewAir promotions and offers

Registering your product information online is safe & secure and takes less than 2 minutes to complete:

[newair.com/register](http://newair.com/register)

Alternatively, we recommend you attach a copy of your sales receipt below and record the following information, located on the manufacturer's nameplate on the rear of the unit. You will need this information if it becomes necessary to contact the manufacturer for service inquiries.

**Date of Purchase:** \_\_\_\_\_

**Serial Number:** \_\_\_\_\_

**Model Number:** \_\_\_\_\_

## SAFETY INFORMATION & WARNINGS



When using any electrical appliance, basic safety precautions must be followed in order to reduce the risk of fire, electrical shock and/or injury to persons or property. Be sure to read all instructions before using this appliance and observe the following safety tips:

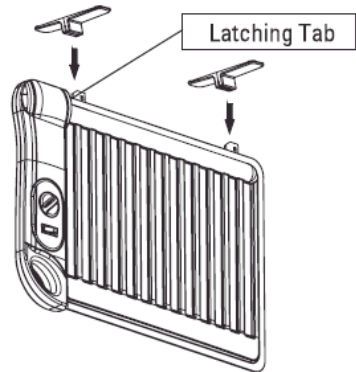
- This heater is hot when in use. To avoid burns, do not let bare skin touch the hot surface. Always use the handle when moving this heater. Keep combustible materials such as furniture, pillows, bedding, papers, clothes and curtains at least 3 feet (0.9 m) from the front of the heater and keep them away from the sides and rear.
- Extreme caution is necessary when any heater is used by or near children or invalids, and whenever the heater is left operating and unattended.
- Always unplug the heater when not in use.
- Do not operate the heater with a damaged cord or plug, if the heater malfunctions, or if it has been dropped or damaged in any manner. If you have any of these issues, immediately contact customer support at [support@newair.com](mailto:support@newair.com).
- Do not use the heater outdoors.
- This heater is not intended for use in bathrooms, laundry areas or similar humid indoor locations. Never use the heater where it may fall into water (such as near a bathtub) or any other liquid.
- Do not run the power cord under carpeting. Do not cover the cord with throw rugs, runners or similar items. Arrange the cord away from high-traffic areas where it can be tripped over.
- **CAUTION:** This appliance has a polarized plug (with one blade wider than the other). To reduce the risk of electric shock, this plug is intended to fit in a polarized outlet only. If the plug does not fit fully in the outlet, either the plug needs to be reversed, or it is an incorrect plug. If the plug still does not fit in the receptacle, there may be an issue with the cord or the outlet. Do not attempt to circumvent this safety feature—contact customer support immediately at [support@newair.com](mailto:support@newair.com).
- This heater draws 12.5 A during operation. To prevent overloading a circuit, do not plug the heater into a circuit that is already powering other appliances.

- **CAUTION:** It is normal for the plug to feel warm to the touch; however, a loose fit between the AC outlet (receptacle) and plug may cause overheating and damage/distortion to the plug. Contact a qualified electrician to replace a loose or worn outlet.
- To disconnect the heater, first turn the dial to the OFF position, then remove the plug from the outlet. Never pull the plug by the cord.
- No object should be inserted into any part of the heater at any time.
- To prevent a possible fire, do not block any air intakes or exhaust in any manner (if applicable). Do not use this heater on soft surfaces, like a bed, where openings may become blocked (if applicable).
- A heater has hot and arcing parts inside. Do not use it in the areas where gasoline, paint, or flammable liquids are used or stored.
- Use this heater only as described in this manual. Any other use not recommended by the manufacturer may cause fire, electric shock or injury to persons.
- **CAUTION:** Avoid the use of an extension cord because the extension cord may overheat and cause a risk of fire. However, if you have to use an extension cord, the cord must be No. 14 AWG minimum size and rated not less than 1875 W.
- The output of this heater may vary and its temperature may become intense enough to burn exposed skin. Use of this heater is not recommended for persons with reduced sensitivity to heat or an inability to react quickly enough to avoid burns.
- Before using the unit, check if the voltage indicated corresponds with the outlet you intent to use (120V).

## UNPACKING & SET-UP INSTRUCTIONS

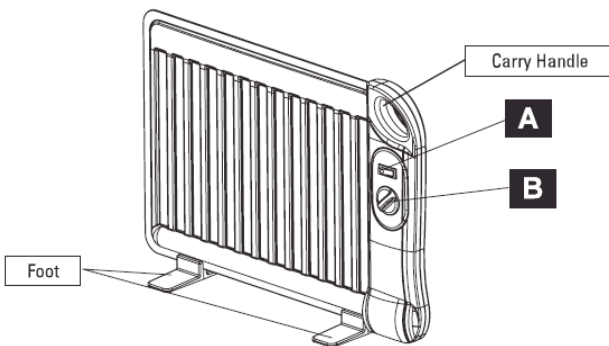
Unpack your heater and remove the feet from the package. Refer to the photo below:

1. Make sure the heater is unplugged and the dial is in the "OFF" position.
2. Turn the heater upside down.
3. Position the groove of the feet at the heater's "latching tab" and press feet securely onto tabs.
4. Turn the heater upright.



Your heater is now ready for use.

## OPERATING INSTRUCTIONS



### CONTROL PANEL FUNCTIONS

- A. Power switch
- B. Temperature dial

1. Place the heater on a firm, level surface free from obstructions, and at least 3 ft. away from objects such as furniture, curtains, plants or combustible material.
2. With the power switch (A) in the OFF position, plug the heater into a grounded 120V outlet.
3. Turn the heater on by turning the power switch (A).
4. Turn the temperature dial (B) to your desired setting from MIN to MAX.

## CLEANING & STORAGE

It is recommended that the heater be cleaned at least once during the operating season in order to provide the optimum level of performance. Always turn the power switch off, unplug the heater and allow to cool completely before cleaning. Be sure to save the box for off-season storage.

To store the heater:

1. Turn the heater off, unplug it and wait for the heater to cool down.
2. Use a dry cloth to clean only the external surfaces of the heater.
3. Do not use any cleaning agents or detergents.
4. Never immerse the heater in water.
5. Pack the heater in the original carton and store it in a cool and dry place.

## LIMITED MANUFACTURER'S WARRANTY

This appliance is covered by a limited manufacturer's warranty. For one year from the original date of purchase, the manufacturer will repair or replace any parts of this appliance that prove to be defective in materials and workmanship, provided the appliance has been used under normal operating conditions as intended by the manufacturer.

### **Warranty Terms:**

During the first year, any components of this appliance found to be defective due to materials or workmanship will be repaired or replaced, at the manufacturer's discretion, at no charge to the original purchaser. The purchaser will be responsible for any removal or transportation costs.

### **Warranty Exclusions:**

The warranty will not apply if damage is caused by any of the following:

- Power failure
- Damage in transit or when moving the appliance
- Improper power supply such as low voltage, defective household wiring or inadequate fuses
- Accident, alteration, misuse or abuse of the appliance such as using non-approved accessories, inadequate air circulation in the room or abnormal operating conditions (extreme temperatures)
- Use in commercial or industrial applications
- Fire, water damage, theft, war, riot, hostility or acts of God such as hurricanes, floods, etc.
- Use of force or damage caused by external influences
- Partially or completely dismantled appliances
- Excess wear and tear by the user

### **Obtaining Service:**

When making a warranty claim, please have the original bill of purchase with purchase date available. Once confirmed that your appliance is eligible for warranty service, all repairs will be performed by a NewAir™ authorized repair facility. The purchaser will be responsible for any removal or transportation costs. Replacement parts and/or units will be new, re-manufactured or refurbished and is subject to the manufacturer's discretion. For technical support and warranty service, please email [support@newair.com](mailto:support@newair.com)