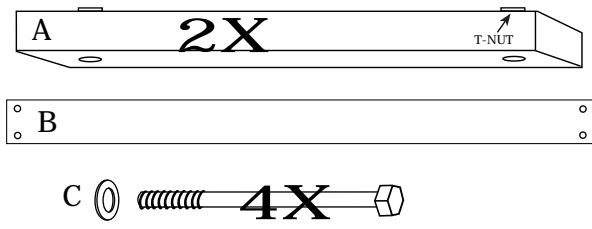
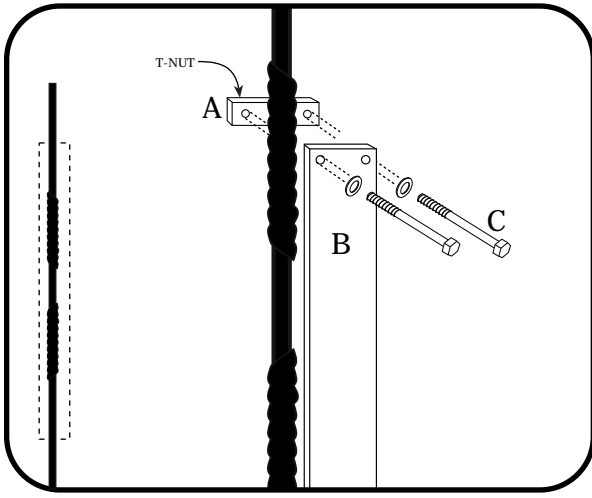


Large Wrought Iron Kit

ASSEMBLY INSTRUCTIONS



Wood Clamps provide a means for attaching your gate to wrought iron without damage. Please follow these procedures to install.



Insert bolt with washer (C) through mounting board (B) and screw into T-nut on opposite clamp (A). The clamp with the T-nut should be on the outside of the post. Repeat at the other end of the clamp. Mount gate according to instructions.

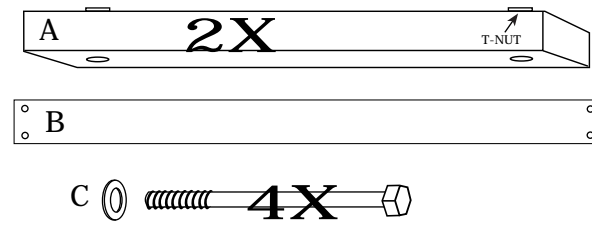
It may be necessary to obtain longer or shorter bolts from a hardware store, depending on post thickness.

It may be desirable to use a short piece of duct tape or weather strip between clamp and post to protect finish. CARDINAL GATES, INC. will not be responsible for any damage to the finish of a post.

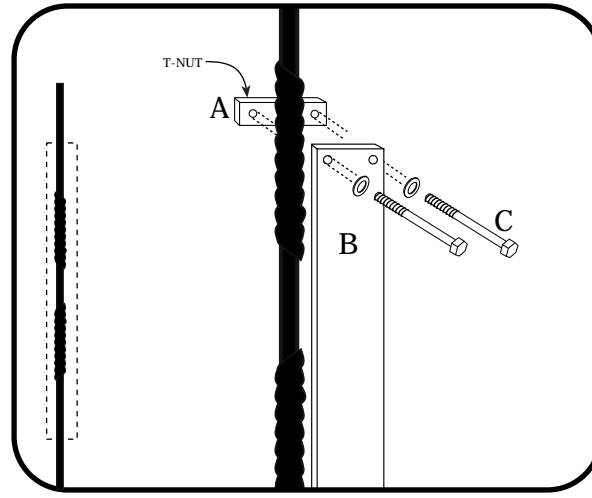
CARDINAL GATES, INC.
79 Amlajack Way • Newnan, GA 30265
770-252-4200 • www.cardinalgates.com

Large Wrought Iron Kit

ASSEMBLY INSTRUCTIONS



Wood Clamps provide a means for attaching your gate to wrought iron without damage. Please follow these procedures to install.



Insert bolt with washer (C) through mounting board (B) and screw into T-nut on opposite clamp (A). The clamp with the T-nut should be on the outside of the post. Repeat at the other end of the clamp. Mount gate according to instructions.

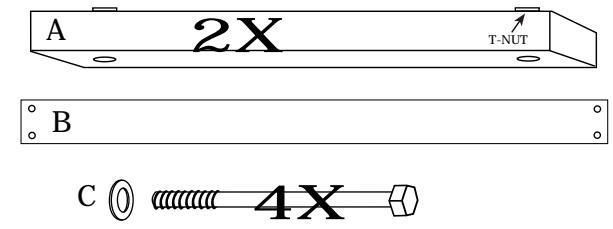
It may be necessary to obtain longer or shorter bolts from a hardware store, depending on post thickness.

It may be desirable to use a short piece of duct tape or weather strip between clamp and post to protect finish. CARDINAL GATES, INC. will not be responsible for any damage to the finish of a post.

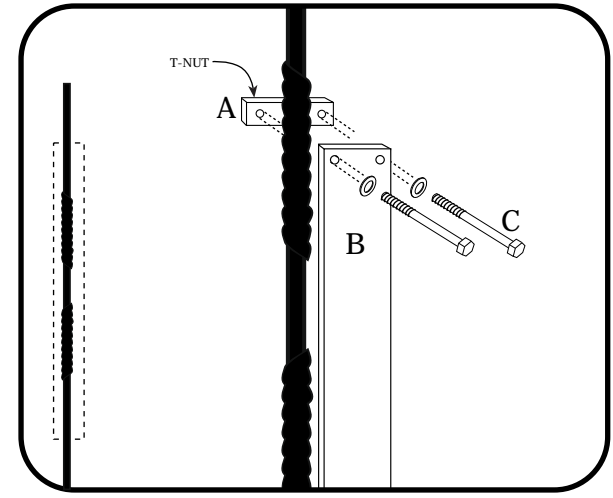
CARDINAL GATES, INC.
79 Amlajack Way • Newnan, GA 30265
770-252-4200 • www.cardinalgates.com

Large Wrought Iron Kit

ASSEMBLY INSTRUCTIONS



Wood Clamps provide a means for attaching your gate to wrought iron without damage. Please follow these procedures to install.



Insert bolt with washer (C) through mounting board (B) and screw into T-nut on opposite clamp (A). The clamp with the T-nut should be on the outside of the post. Repeat at the other end of the clamp. Mount gate according to instructions.

It may be necessary to obtain longer or shorter bolts from a hardware store, depending on post thickness.

It may be desirable to use a short piece of duct tape or weather strip between clamp and post to protect finish. CARDINAL GATES, INC. will not be responsible for any damage to the finish of a post.

CARDINAL GATES, INC.
79 Amlajack Way • Newnan, GA 30265
770-252-4200 • www.cardinalgates.com