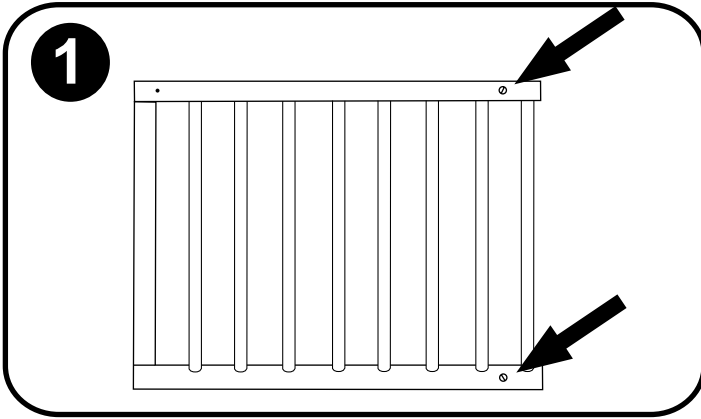
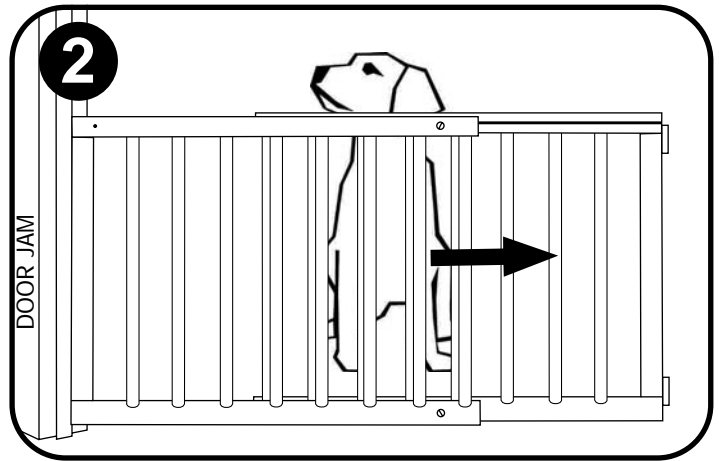


MODEL SG-1
THE STEP-OVER GATE FOR SMALL BREEDS

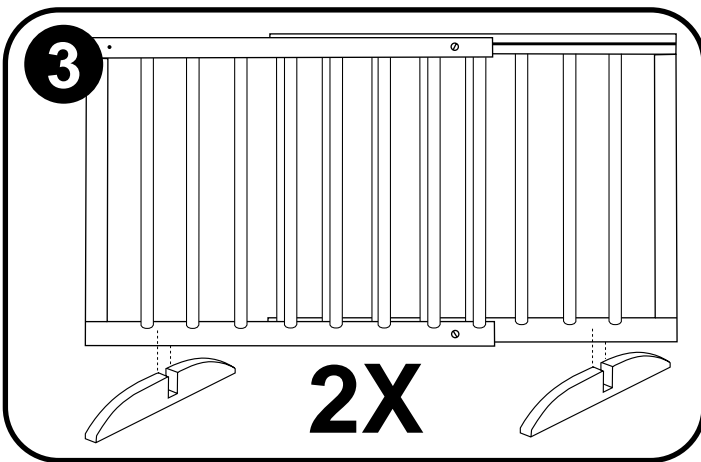
ASSEMBLY INSTRUCTIONS



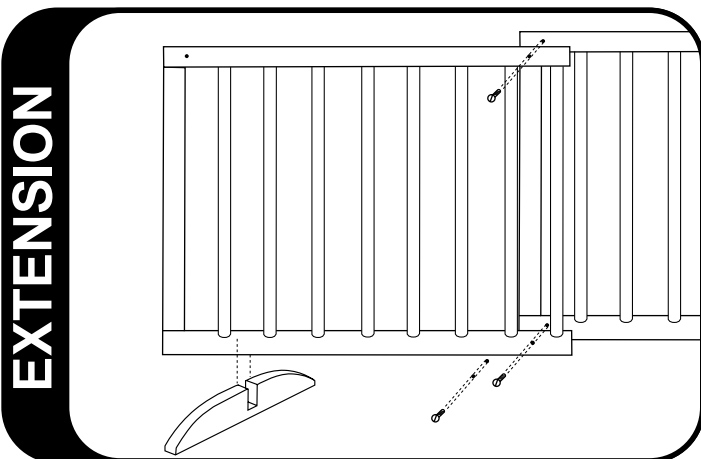
1. Loosen screws on gate (2X).



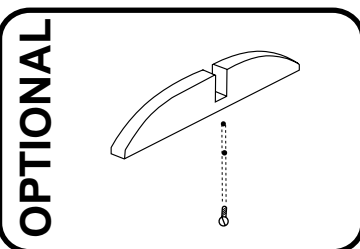
2. Extend gate to desired width and re-tighten screws.
HINT: Gate can be placed against door jam for extra stability (see above).



3. Slip feet onto bottom of gate.



If you have purchased an extension, attach with two (2) bolts and nuts through top and bottom of extension to current gate. Next add single foot to added extension.



To permanently attach foot to gate, attach with screw.

GATE WARRANTY

Your Cardinal Gate is warranted to be free of manufacturing defects for a period of one year from the date of purchase when used in homes, and according to manufacturers instructions. When used commercially, such as day care centers, the warranty is 90 days.

Cardinal Gates, Inc. will either repair or replace, at our option, any parts necessary to correct defects in material or workmanship during the warranty period. The warranty disclaims liability for incidental, special and consequential damages of any nature.

TO EXERCISE WARRANTY:

Ship your gate in a protective carton, freight prepaid to:
CARDINAL GATES, INC.
79 Amlajack Way
Newnan, GA 30265

You must include the following:

1. Proof of purchase (store receipt, etc.).
2. Brief note describing problem with gate.
3. Full return address along with phone number.

FOR FURTHER ASSISTANCE

Call 1-800-318-3380

CARDINAL GATES

If it's a Cardinal, It's the Best!

79 Amlajack Way
Newnan, GA 30265
770-252-4200

www.cardinalgates.com

! WARNING: GATE IS NOT RECOMMENDED FOR CHILDREN UNDER ANY CIRCUMSTANCES.