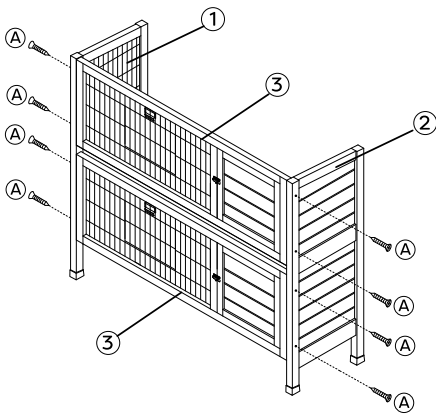


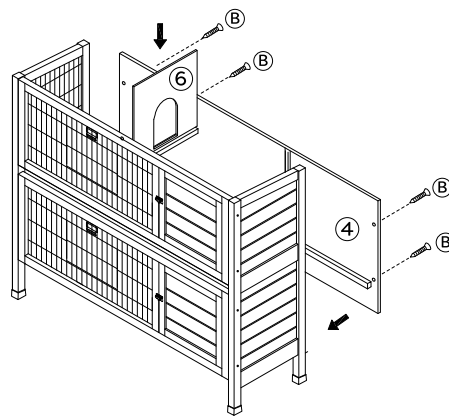
<p>Hardware #902558</p> <p>(A) 2" - 8 pcs</p> <p>(B) 1 1/8" - 10 pcs</p> <p>(C) 1" - 3 pcs</p> <p>(D) 5/8" - 8 pcs</p>	<p>(1) </p> <p>Left Side Panel #900580</p> <p>(2) </p> <p>Right Side Panel #900176</p> <p>(3) </p> <p>Front Panel (x2) #900175</p> <p>(4) </p> <p>Back Panel Bottom #900586</p> <p>(5) </p> <p>Back Panel Top #900596</p> <p>(6) </p> <p>Lower Partition #900141</p> <p>(7) </p> <p>Upper Partition #900499</p> <p>(8) </p> <p>Floor Wire (x2) #900152</p> <p>(9) </p> <p>Floor (x2) #900582</p> <p>(10) </p> <p>Pull Pan (x2) #900083</p> <p>(11) </p> <p>Roof #900581</p> <p>(12) </p> <p>Wire Floor Support (x2) #902918</p> <p>(L) </p> <p>#900980 1 pcs</p> <p>(R) </p> <p>#902519 1 pcs</p>
---	---

Step 1



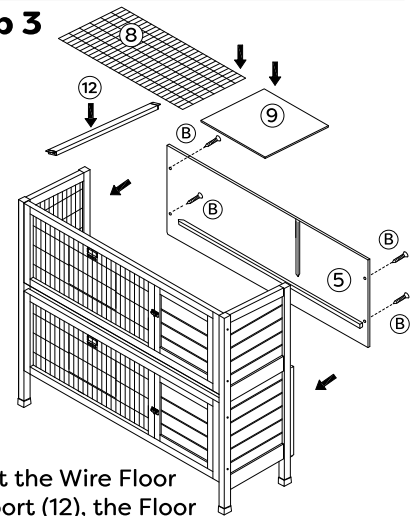
Position Left Side (1), Right Side (2), and the Front Panels (3) as pictured. Attach using 8 - 2" screws (A).

Step 2



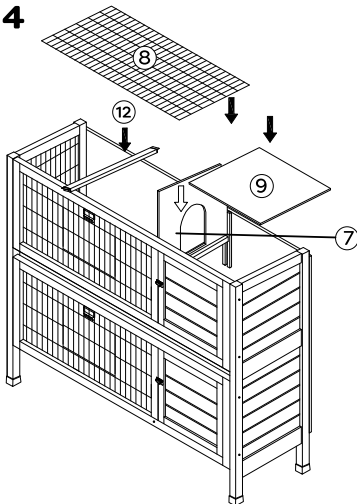
Attach Back Panel Bottom (4) using 4 - 1 1/8" screws (B). Insert Lower partition (6).

Step 3



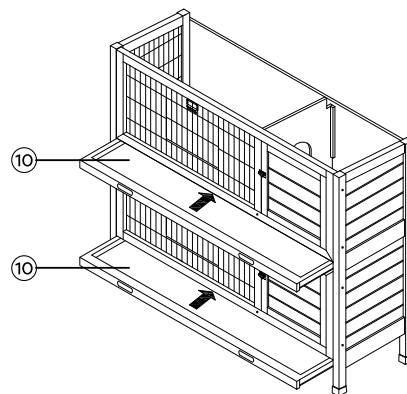
Insert the Wire Floor Support (12), the Floor Wire (8), and the Floor (9). Attach Back Panel Top (5) using 4 - 1 1/8" screws (B).

Step 4



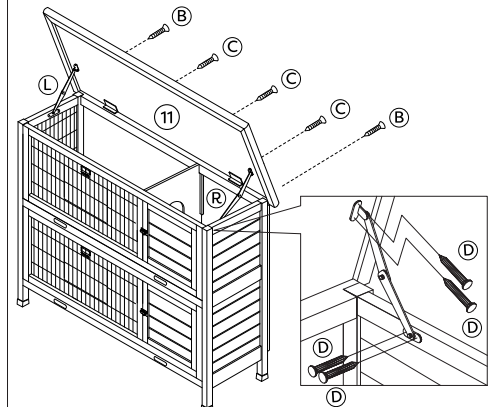
Insert the Upper Partition (7). Insert the Wire Floor Support (12), the Floor Wire (8), and the Floor (9).

Step 5



Slide Pull Pans (10) into the lower and middle sections as shown.

Step 6



Attach Roof (11) using 3 - 1" screws (C) and 2 - 1 1/8" screws (B). Attach the Locking Hinges (L)(R) to the roof and side panels using 8 - 5/8" screws (D).

ware cares[™]

We care about the carbon pawprint we leave as a company and are committed to using recycled and recyclable material in the manufacturing of our packaging and pet products.

Care Tip

To protect the wood on your hutch you need to re-apply the protective stain finish at least 1x each year. Use a safe and non-toxic water based stain (available at your local paint or hardware center). Keep hutch in a safe area away from high winds and extreme temperatures.

If you have any questions or concerns about this product contact our customer service department at 1-800-295-2243 Mon-Fri 8:00 - 4:00 MST or email us at hello@warepet.com

#30001518

Ware Mfg., Inc. claims copyright protection under U.S. and International Copyright Law in the attached sculptural work and in the content of this packaging. Copyright © 2022 Ware Mfg., Inc. All rights reserved.