

**NEVER LEAVE THE HEATER UNATTENDED WHILE BURNING!**

## OPERATING INSTRUCTIONS AND OWNER'S MANUAL

**READ INSTRUCTIONS CAREFULLY:** Read and follow all instructions. Place instructions in a safe place for future reference. Do not allow anyone who has not read these instructions to assemble, light, adjust or operate the heater.

**MR. HEATER**

MODEL

MH125LP



### **GAS-FIRED INFRA-RED PORTABLE CONSTRUCTION HEATER**

DO NOT LEAVE HEATER UNATTENDED OR IN OPERATION WHILE SLEEPING



#### **GENERAL HAZARD WARNING:**

FAILURE TO COMPLY WITH THE PRECAUTIONS AND INSTRUCTIONS PROVIDED WITH THIS HEATER CAN RESULT IN DEATH, SERIOUS BODILY INJURY AND PROPERTY LOSS OR DAMAGE FROM HAZARDS OF FIRE, EXPLOSION, BURN, ASPHYXIATION, CARBON MONOXIDE POISONING, AND/OR ELECTRICAL SHOCK.

ONLY PERSONS WHO CAN UNDERSTAND AND FOLLOW THE INSTRUCTIONS SHOULD USE OR SERVICE THIS HEATER.

IF YOU NEED ASSISTANCE OR HEATER INFORMATION SUCH AS INSTRUCTION MANUALS, LABELS, ETC., CONTACT THE MANUFACTURER.



#### **WARNING:**


FIRE, BURN, INHALATION AND EXPLOSION HAZARD. KEEP SOLID COMBUSTIBLES SUCH AS BUILDING MATERIALS, PAPER OR CARDBOARD A SAFE DISTANCE AWAY FROM THE HEATER AS RECOMMENDED BY THE INSTRUCTIONS. NEVER USE THE HEATER IN SPACES WHICH DO OR MAY CONTAIN VOLATILE OR AIRBORNE COMBUSTIBLES OR PRODUCTS SUCH AS GASOLINE, SOLVENTS, PAINT THINNER, DUST PARTICLES OR UNKNOWN CHEMICALS.



**WARNING:** NOT FOR HOME OR RECREATIONAL VEHICLE USE

**SPECIFICATIONS**

MODEL NO.....MH125LP  
 GAS TYPE.....LP-Gas  
 MAX. INLET PRESSURE..... 14 IN. W.C.  
 MIN. INLET PRESSURE..... 14 IN. W.C.  
 MANIFOLD PRESSURE..... 12 IN. W.C.

 **WARNING**  
 DO NOT EXCEED ½ psi (14" w.c.) GAS PRESSURE TO THE GAS CONTROL VALVE.

**VENTILATION**

 **WARNING**  
 THIS APPLIANCE IS UNVENTED AND MUST BE USED ONLY IN A WELL VENTILATED AREA.

The flow of combustion and ventilation air must not be obstructed. DO NOT use in a tightly enclosed area.

Any combustion process requires and consumes oxygen, and may produce carbon monoxide. This heater must be operated with adequate ventilation. Two openings directly to the outdoors must be provided, one low and one high, preferably on opposite sides of the area to be heated. Each of these openings must provide at least three square inches of combustion air-intake area and exhaust outlet area for every 1000 BTUs per hour of heater input rate in order to complete the combustion/ventilation process. Provide additional ventilation for any additional fuel-burning appliances and/or additional occupants.

**CLEARANCE (Minimum clearances to combustibles materials)**


Do not exceed the gas supply pressures shown on rating plates. The maximum inlet gas supply pressures and minimum inlet supply pressures (for purposes of input adjustment) for LP-Gas are shown as follows:

MODEL NO.	BTU/HR RATING TYPE GAS	NORMAL OPERATING POSTION	CLEARANCES TO COMBUSTIBLES		
			TOP	SIDES	BACK
MH125LP	95,000 - 125,000*	VERTICAL	48"	60"	60"

\*Tank size and tank temperature can directly affect BTU output

**CONTENTS**

Installation Instructions..... 4  
 Location..... 4  
 Piping..... 4  
 Operating Instructions..... 5  
 Lighting and Shut Down..... 5  
 Maintenance Instructions..... 6  
 Replacement Parts List..... 6  
 Service and Parts Ordering Information..... 8


 **FOR YOUR SAFETY**  
 Do not use this heater in a space where gasoline or other liquids having flammable vapors are stored or used.


The heater is designed and approved for use as a construction heater under ANSI Z83.7 / CGA 2.14

We cannot anticipate every use which may be made of our heaters. CHECK WITH YOUR LOCAL FIRE SAFETY AUTHORITY IF YOU HAVE QUESTIONS ABOUT APPLICATIONS.

Other standards govern the use of fuel gases and heat producing products in specific applications. Your local authority can advise you about these.

This appliance is intended for temporary heating of buildings under construction, alteration or repair.

 **WARNING:** Fuels used in liquefied propane gas appliances, and the products of combustion of such fuel, can expose you to chemicals including benzene, which is known to the state of California to cause cancer and cause birth defects or other reproductive harm, for more information go to [www.P65Warnings.ca.gov](http://www.P65Warnings.ca.gov)

 **WARNING:** THIS PRODUCT CAN EXPOSE YOU TO CHEMICALS INCLUDING LEAD AND LEAD COMPOUNDS, WHICH ARE KNOWN TO THE STATE OF CALIFORNIA TO CAUSE CANCER AND BIRTH DEFECTS OR OTHER REPRODUCTIVE HARM. FOR MORE INFORMATION VISIT [WWW.P65WARNINGS.CA.GOV](http://WWW.P65WARNINGS.CA.GOV)

## ODOR FADE WARNING

### WARNING

#### **Asphyxiation Hazard**

- Do not use in unventilated areas.
- The flow of combustion and ventilation air must not be obstructed.
- Proper ventilation air must be provided to support the combustion air requirements of the heater being used.
- Refer to the specification section of the heater's manual, heater dataplate, or contact the factory to determine combustion air ventilation requirements of the heater.
- Lack of proper ventilation air will lead to improper combustion.
- Improper combustion can lead to carbon monoxide poisoning leading to serious injury or death. Symptom of carbon monoxide poisoning can include headaches, dizziness and difficulty in breathing.

## FUEL GAS ODOR

**LP gas and natural gas have man-made odorants added specifically for detection of fuel gas leaks. If a gas leak occurs you should be able to smell the fuel gas. Since Propane (LP) is heavier than air you should smell for the gas odor low to the floor. ANY GAS ODOR IS YOUR SIGNAL TO GO INTO IMMEDIATE ACTION!**

- Do not take any action that could ignite the fuel gas. Do not operate any electrical switches. Do not pull any power supply or extension cords. Do not light matches or any other source of flame. Do not use your telephone.
- Get everyone out of the building and away from the area immediately.
- Close all propane (LP) gas tank or cylinder fuel supply valves, or the main fuel supply valve located at the meter if you use natural gas.
- Propane (LP) gas is heavier than air and may settle in low areas. When you have reason to suspect a propane leak, keep out of all low areas.
- Use your neighbor's phone and call your fuel gas supplier and your fire department. Do not re-enter the building or area.
- Stay out of the building and away from the area until declared safe by the firefighters and your fuel gas supplier.
- FINALLY, let the fuel gas service person and the firefighters check for escaped gas. Have them air out the building and area before you return. Properly trained service people must repair any leaks, check for further leakages, and then relight the appliance for you.

## ODOR FADING - NO ODOR DETECTED

- Some people cannot smell well. Some people cannot smell the odor of the man-made chemical added to propane (LP) or natural gas. You must determine if you can smell the odorant in these fuel gases.
- Learn to recognize the odor of propane (LP) gas and natural gas. Local propane (LP) gas dealers will be more than happy to give you a scratch and sniff pamphlet. Use it to become familiar with the fuel gas odor.
- Smoking can decrease your ability to smell. Being around an odor for a period of time can affect your sensitivity to that particular odor. Odors present in animal confinement buildings can mask fuel gas odor.
- **The odorant in propane (LP) gas and natural gas is colorless and the intensity of its odor can fade under some circumstances.**
- If there is an underground leak, the movement of gas through the soil can filter the odorant.
- Propane (LP) gas odor may differ in intensity at different levels. Since Propane (LP) gas is heavier than air, there may be more odor at lower levels.
- **Always be sensitive to the slightest gas odor.** If you continue to detect any gas odor, no matter how small, treat it as a serious leak. Immediately go into action as discussed previously.

## ATTENTION - CRITICAL POINTS TO REMEMBER!

- Propane (LP) gas has a distinctive odor. Learn to recognize these odors. (Reference Fuel Gas Odor and Odor Fading sections above.)
- Even if you are not properly trained in the service and repair of the heater, ALWAYS be consciously aware of the odors of propane (LP) gas and natural gas.
- If you have not been properly trained in repair and service of propane (LP) gas then do not attempt to light heater, perform service or repairs, or make any adjustments to the heater on the propane (LP) gas fuel system.

## INSTALLATION INSTRUCTIONS

### GENERAL:

**READ THESE INSTRUCTIONS CAREFULLY. Read and adhere to these instructions. DO NOT allow anyone who has not read these instructions to assemble, light, adjust or operate this heater.**

**DO NOT attempt to operate the heater with any gas other than that indicated on the heater nameplate.**

For the U.S. and/or Canada, the installation of this appliance must comply with local and/or Provincial codes or, in the absence of these codes,

- With the (U.S.) National Fuel Gas Code, ANSI Z223.1 – Latest Edition (for LP-Gas operation, Model, MH125LP), and with the (U.S) Standard for the Storage and Handling of Liquefied Petroleum Gases, ANSI/NFPA 58 (for LP Gas operation, Model MH125LP, HS125LP), or
- with the current (Canadian) CAN/CGA B149.1 AND B149.2 INSTALLATION CODES.

This heater (including hose and regulator assembly if applicable) must be inspected before each use and at least annually by a qualified service person. If the hose for Model MH125LP shows evidence of excessive abrasion or wear, or if the hose is cut, it must be replaced prior to the heater being put into operation. The replacement hose assembly shall be that specified by the manufacturer. See the parts list.

### LOCATION

The heater (and LP-Gas supply cylinder if applicable) must be located on a hard, flat, level surface to minimize the risk of accidental tipping. If an LP Gas supply cylinder is used (i.e. with Model MH125LP), the cylinder should be adequately restrained to prevent accidental tipping. **DO NOT operate this heater with the supply cylinder in any other than the upright position.**

This appliance must be installed only in locations where the potential for physical damage to the appliance (i.e., due to physical contact) is reduced to a minimum.

The installer must inform the owner/operator of this appliance that precautions must be taken to protect the appliance from physical damage.

This appliance produces radiant heat. Therefore, it must be located at least six feet away from any LP-Gas container and must not be directed toward any LP-Gas container within 20 feet.

The heater must be installed in a location such that it will not be exposed directly to water spray, rain, and/or dripping water.

Use of this heater in a draft/windy area decreases its efficiency. If possible, operate the unit in a draft free area.

The appliance area must be kept clear and free from combustible materials, gasoline and other flammable vapors and liquids.

### PIPING

#### For Model MH125LP (for use with LP-Gas)

This model may be connected to a self-contained LP-Gas supply system using the hose and regulator assembly supplied with the appliance, OR, it may be connected to a permanently installed LP-Gas supply system.

If connected to a self-contained LP-Gas supply system, the

hose assembly must be inspected prior to each use of the heater. If it is evident that there is excessive abrasion or wear, or if the hose is cut, it must be replaced prior to the heater being put into operation.

If connected to a self-contained LP-Gas supply system, the cylinder must have no less than a minimum capacity of 40 pounds and no more than a maximum capacity of 100 pounds of LP-Gas. DO NOT connect this appliance to a cylinder having less than a nominal 40 pounds capacity of LP-Gas.



#### WARNING

**NEVER USE A FORK LIFT TRUCK TYPE CYLINDER.**

The connection of Model MH125LP to an LP-Gas cylinder must be made in a well ventilated area using the regulator and hose assembly supplied with the appliance. **DO NOT attempt to adjust this regulator.** It has been preset at the factory to provide safe and proper operation of the appliance. Use a 7/8" open end wrench to connect the POL fitting (supplied with the LP regulator) to the LP-Gas cylinder. Turn the POL nut in a counter-clockwise direction (left hand thread) until tight. **DO NOT use pipe compound on POL threads.**

The heater must be located at least six feet away from any LP-Gas cylinder and must not be directed toward any LP-Gas cylinder within 20 feet. If more than one heater is used, they and the supply cylinders must be separated by at least 20 feet. Check local codes.

The gas supply must be turned off at the LP-Gas supply cylinder when the heater is not in use.

When the heater is to be stored indoors, the connection between the LP-Gas supply cylinder and the heater must be disconnected and the cylinder removed from the heater and stored in accordance with Chapter 5 of the Standard for the Storage and Handling of Liquefied Petroleum Gases. ANSI/NFPA 58 (U.S.) OR CAN/CGA B149.2 (Canada).

If connected to a permanently installed LP-Gas supply system, the system requires the use of a two-stage gas regulator assembly which is normally provided by your LP Gas dealer as part of the LP-Gas supply system. Consult with your local LP Gas dealer for details concerning proper equipment and installation.

Before attempting to ignite the appliance, all gas fittings and connections must be thoroughly checked for gas leaks. Apply a small amount of a mild soap and water solution to all fittings and connections and observe for escaping bubbles. If any leaks are detected, shut off the gas supply to the appliance immediately. Wait a minimum of five minutes, repair the leak(s) and retest for leakage. Dry all fittings and connections after leak testing.



#### WARNING

**NEVER USE A FLAME FOR GAS LEAK TESTING.**

## OPERATING INSTRUCTIONS

### **WARNING**

IF YOU DO NOT FOLLOW THESE INSTRUCTIONS EXACTLY, A FIRE OR EXPLOSION MAY RESULT CAUSING PROPERTY DAMAGE, PERSONAL INJURY, OR LOSS OF LIFE.

### **CAUTION**

THIS APPLIANCE IS HOT DURING NORMAL OPERATION, AVOID PHYSICAL CONTACT.

### **CAUTION**

DO NOT PLACE CLOTHING OR OTHER COMBUSTIBLE MATERIALS ON THIS APPLIANCE.

**DO NOT operate this heater if any part has been under water.** Call a qualified service technician to inspect the appliance and to replace any part of the control system or gas control valve which has been under water.

This appliance must be installed and operated only in locations where the potential for physical damage to the appliance is reduced to a minimum. The owner/operator of this appliance must ensure that precautions are taken to protect the appliance from physical damage.

## LIGHTING AND SHUT DOWN

### Lighting the Heater

- 1 Before attempting to light the heater, smell all around the heater area for gas. Be sure to smell next to the floor because LP Gas is heavier than air and will settle on the floor. Turn on the gas supply to the appliance and check all fittings and connections for gas leaks using a mild soap and water solution. **NEVER use a match to check for gas leaks.** Should a gas leak occur, shut off the gas supply to the appliance immediately. Wait a minimum of five minutes before repairing the leak.
- 2 Use only the fuel intended for this appliance. Check the appliance rating plate for the correct fuel information.
- 3 Depress knob the turn the gas valve knob clockwise to the "OFF" position. See Fig. 1 and Fig. 2 for location of appliance parts.
- 4 Wait a sufficient length of time (at least five minutes) to allow gas which may have accumulated in burner compartment to escape.
- 5 Turn on the main gas supply.
- 6a Depress and turn Control Knob counterclockwise to "Pilot" position and hold for 1-2 minutes. This may take longer to purge air from the supply hose depending on the length of the hose being used.

Depress red spark ignition button to light pilot flame (repeat until pilot lights) and continue to hold Control Knob at "Pilot" position for 30-60 seconds to enable Pilot Light Safety System.

Fully turn Control Knob to "ON" position to light burner.  
**or...**

- 6b To light the pilot, move the lighting hole cover aside (see Fig. 1) and place a lighted match into the hole. Depress the gas valve knob and hold while lighting and observing the pilot burner. Ensure that the pilot burner ignites from the match. Allow the pilot to burn approximately 30 seconds before releasing the gas valve knob. If pilot does not remain lighted, repeat the lighting operation allowing a longer period of time before releasing the gas valve knob.

NOTE: In cases where long runs of gas supply lines have been installed ahead of the appliance, it may be necessary to bleed trapped air out of the supply lines before lighting the pilot. New installations generally require bleed of supply lines. Wait a minimum of five minutes after bleeding the supply lines before attempting to light the heater.

Adjust pilot if necessary as noted under "Pilot Burner Adjustment."

7. Turn the gas valve knob counter-clockwise to the "ON" position (see Fig. 1). The burner will light. Turn knob clockwise until stop for low fire position.
8. **IMPORTANT: DO NOT attempt to adjust the main burner input beyond stop,** for this may cause the pilot and thermocouple to shut down the burner (Fig. 2).

### Shut-down instructions:

To turn the heater OFF,

- For short periods of time, turn the main burner off by rotating the gas valve knob clockwise to the "PILOT" position.
- For extended periods of non use, depress knob, turn the appliance completely off by rotating the gas valve knob clockwise to the "PILOT" position, depress the knob slightly, then rotate the knob fully clockwise to the "OFF" position. (Note: For Model 120L, also turn off the gas supply cylinder.)

### Pilot burner adjustment:

1. Remove the pilot adjustment cap. The pilot adjustment cap is a slotted screw located in front of the "Pilot" designation stamped on top of valve body just below the gas valve knob.
2. Adjust the pilot key to provide properly sized flame. Rotate the key "clockwise" to decrease or "counterclockwise" to increase flame.
3. Replace the pilot adjustment cap.

**NEVER LEAVE THE HEATER UNATTENDED WHILE BURNING!**

THIS PAGE INTENTIONALLY LEFT BLANK  
ESTA PÁGINA INTENCIONALMENTE SE DEJA EN BLANCO  
CETTE PAGE A ÉTÉ INTENTIONNELLEMENT LAISSÉE VIERGE

## MAINTENANCE INSTRUCTIONS

This heater (including hose and regulator assembly if applicable) must be inspected before each use. If the hose for the Model MH125LP shows evidence of excessive abrasion or wear, or if the hose is cut, it must be replaced prior to the heater being put into operation. The replacement hose assembly shall be that specified by the manufacturer. See the parts list.

The appliance area must be kept free and clear of combustible materials, gasoline and other flammable vapors and liquids at all times.

The flow of combustion and ventilation air must not be obstructed.

### Cleaning the heater:

Periodically, the heater must be cleaned of all dirt and dust particles.



### **DANGER**

DO NOT ATTEMPT TO CLEAN THE HEATER WHILE IT IS OPERATING OR WHILE IT IS STILL HOT.

Turn the heater off and wait until it has completely cooled (at least 20 minutes) before cleaning.

Clean the outside of the heater using a damp cloth. DO NOT clean the heater by spraying water on it. Wipe the outside of the heater off with a dry cloth after cleaning.

Clean the inside of the heater using compressed air. Blow air back and forth along all inside surfaces until all dust has been dislodged.

Clean the orifice of each burner with a #69 drill bit (for LP-Gas). Clean the orifice manually (by hand) – DO NOT use power drill.

Clean the thermocouple lead.

**DO NOT operate this heater if any part has been under water.** Call a qualified service person to inspect the appliance and to replace any part of the control system or gas control valve which has been under water.

This heater must be inspected at least annually by a qualified service person.



### **WARNING**

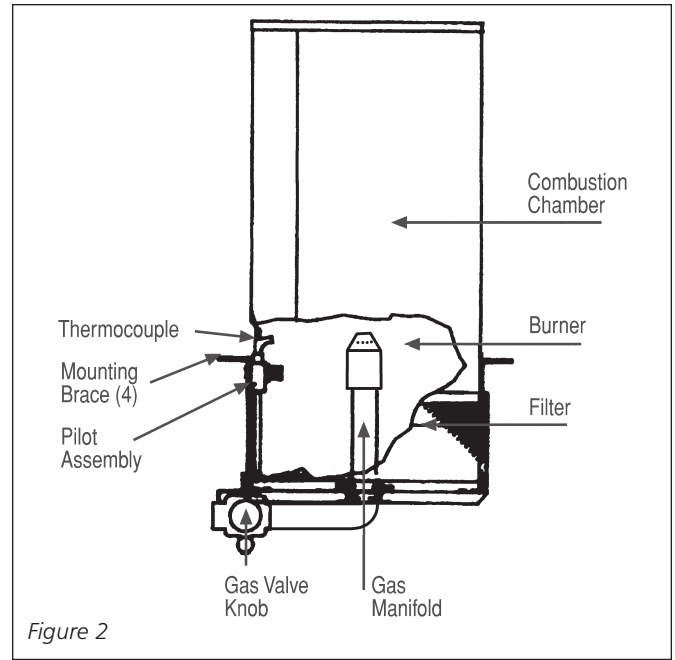
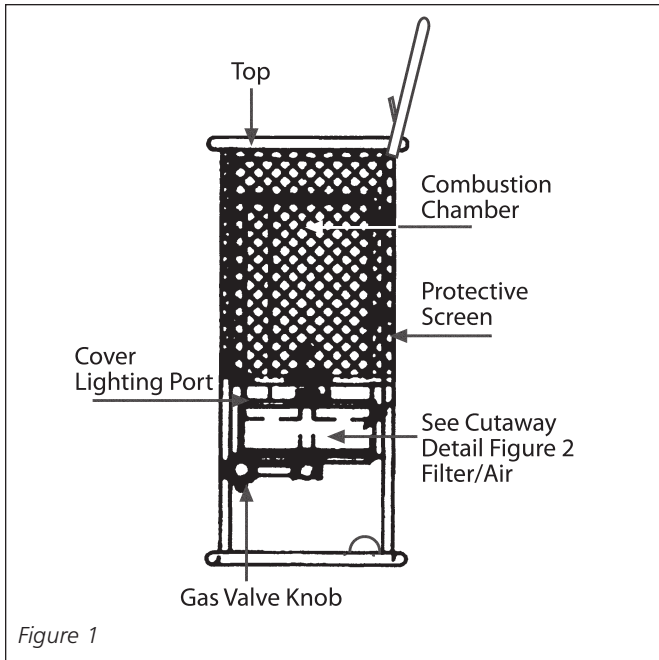
Do not exceed 1/2 PSI gas pressure to appliance gas control valve.

## REPLACEMENT PARTS LIST FOR MODEL MH125LP

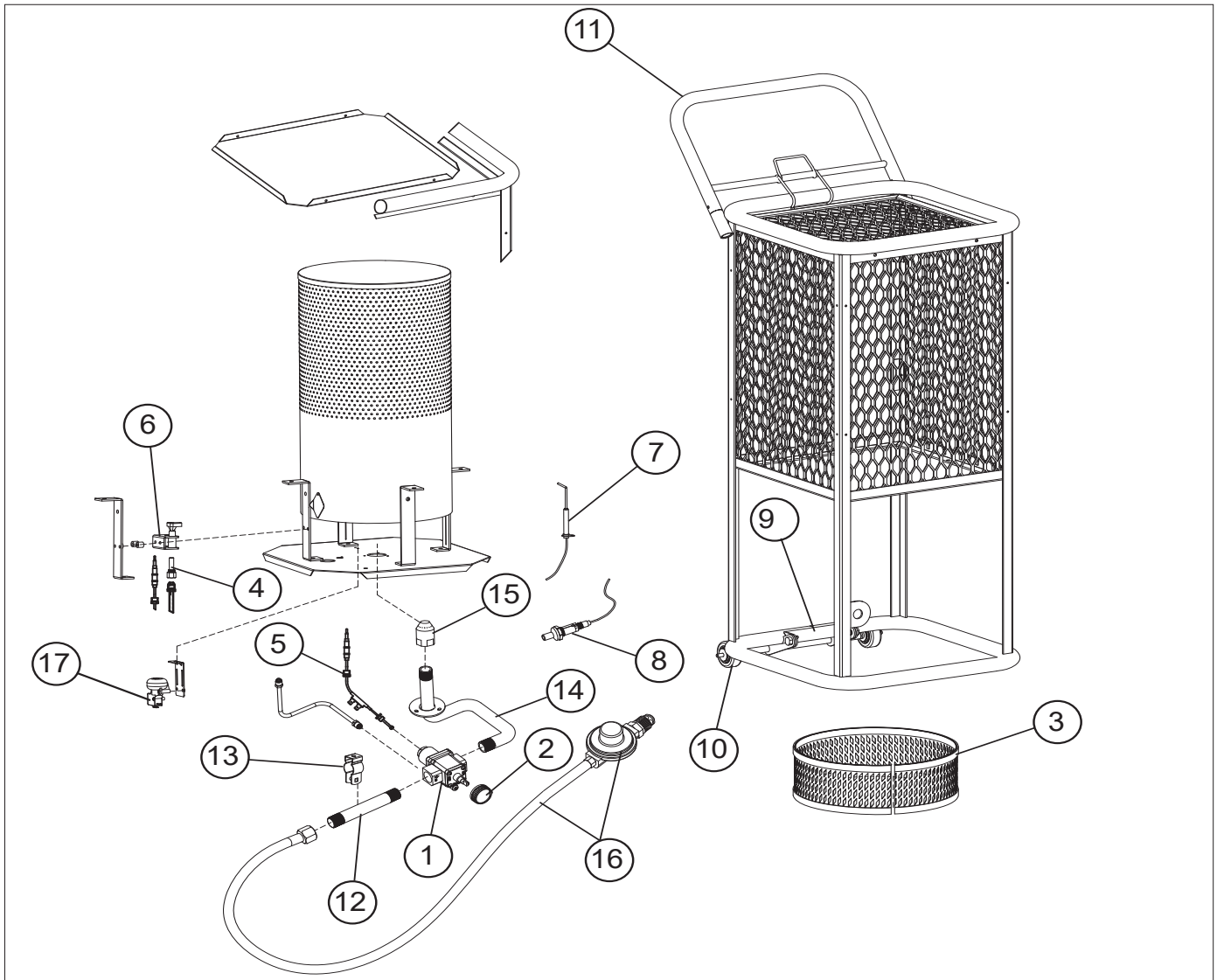
### SEE BACK PAGE FOR PARTS ORDERING INFORMATION

REF. #	ITEM #	DESCRIPTION
1.....	23510.....	Manual Control Valve
2.....	23511.....	Knob Control Valve
3.....	04466.....	Filter/Diffuser
4.....	23512.....	Orifice Pilot
5.....	21920.....	Thermocouple, 13"
6.....	23514.....	Pilot Burner
7.....	23515.....	Ignitor
8.....	20735.....	Piezo
9.....	23523.....	Axle With Brackets
10.....	23518.....	Wheel
11.....	23517.....	Handle
12.....	23519.....	Valve Supply Tube
13.....	23520.....	Valve Supply Tube Clamp
14.....	23521.....	Burner Manifold
15.....	23522.....	Burner (L/P)
16.....	11420.....	Hose and Regulator Assembly
17.....	42116.....	Tip-Over Switch

**NEVER LEAVE THE HEATER UNATTENDED WHILE BURNING!**



**GAS-FIRED INFRA-RED PORTABLE CONSTRUCTION HEATER  
MODEL MH125LP**





# NEVER LEAVE THE HEATER UNATTENDED WHILE BURNING!

## ⚠WARNING

### Air Quality Hazard

- Do not use this heater for heating human living quarters.
- Use of direct-fired heaters in the construction environment can result in exposure to levels of CO, CO<sub>2</sub>, and NO<sub>2</sub> considered to be hazardous to health and potentially life threatening.
- Do not use in unventilated areas.
- Know the signs of CO and CO<sub>2</sub> poisoning.
  - Headaches, stinging eyes
  - Dizziness, disorientation
  - Difficulty breathing, feels of being suffocated
- Proper ventilation air exchange (OSHA 29 CFR 1926.57) to support combustion and maintain acceptable air quality shall be provided in accordance with OSHA 29 CFR Part 1926.154, ANSI A10.10 Safety Requirements for Temporary and Portable Space Heating Devices and Equipment used in the Construction Industry or the Natural Gas and Propane Installation Codes CSA B149.1.
  - Periodically monitor levels of CO, CO<sub>2</sub> and NO<sub>2</sub> existing at the construction site – at the minimum at the start of the shift and after 4 hours.
  - Provide ventilation air exchange, either natural or mechanical, as required to maintain acceptable indoor air quality.

	USA 8-Hr Time weighted average (OSHA 29 CFR 1926.55 App A)	Canada 8-hr time weighted average WorkSafe BC OHS Guidelines Part 5.1 and Ontario Workplaces Reg 833
CO	50 ppm	25 ppm
CO <sub>2</sub>	5000 ppm	5000 ppm
NO <sub>2</sub>		3 ppm (Reg 833)
	USA – Ceiling Limit (Short Term Exposure Limit = 15 minutes)	Canada STEL (15 minutes Reg 833/1 hour WSBC) WorkSafe BC OHS Guidelines Part 5.1 and Ontario Workplaces Reg 833
CO		100 ppm
CO <sub>2</sub>		15000 ppm (WSBC) 30000 ppm (Reg 833)
NO <sub>2</sub>	5 ppm	1.0 ppm (WorkSafeBC) 5.0 ppm (Reg 833)

- Ensure that the flow of combustion and ventilation air exchange cannot become obstructed.
- As the building 'tightens up' during the construction phases ventilation may need to be increased.

Installation of this appliance at altitudes above 2000 ft (610 m) shall be in accordance with local codes, or in the absence of local codes, the National Fuel Gas Code, ANSI Z223.1/NFPA 54, or National Standard of Canada, Natural Gas and Propane Installation Code, CSA B149.1

The heater has been shipped from the factory set up for operation on propane gas.

**NEVER LEAVE THE HEATER UNATTENDED WHILE BURNING!**

# OPERATING INSTRUCTIONS AND OWNER'S MANUAL

**READ INSTRUCTIONS CAREFULLY:** Read and follow all instructions. Place instructions in a safe place for future reference. Do not allow anyone who has not read these instructions to assemble, light, adjust or operate the heater.

**MR. HEATER**

MODEL

MH125LP



## WARNING:

USE ONLY MANUFACTURER'S REPLACEMENT PARTS. USE OF ANY OTHER PARTS COULD CAUSE INJURY OR DEATH. REPLACEMENT PARTS ARE ONLY AVAILABLE DIRECT FROM THE FACTORY AND MUST BE INSTALLED BY A QUALIFIED SERVICE AGENCY.

## PARTS ORDERING INFORMATION:

**PURCHASING:** Accessories may be purchased at any Mr. Heater or HeatStar local dealer or direct from the factory

### FOR INFORMATION REGARDING SERVICE

Please call Toll-Free 800-251-0001

[www.enerco.com](http://www.enerco.com) • [www.mrheater.com](http://www.mrheater.com)

Our office hours are 8:00 AM – 5:00 PM, EST, Monday through Friday.

Please include the model number, date of purchase, and description of problem in all communication.

## WARRANTY

Gas Fired Infra Red Portable Construction Heater MH125LP

MR. HEATER warrants that Infra Red Heaters manufactured and sold will be free from defects in material and workmanship.

Parts assemblies controls, etc. furnished by MR. HEATER will carry a one (1) year warranty on the applicable warranties of the suppliers.

The sole responsibility of MR. HEATER under this warranty shall be to replace or repair any part for which a written claim is made to MR. HEATER within the time limit of this warranty which is returned upon request to MR. HEATER – F.O.B. Cleveland Ohio – or F.O.B. a MR. HEATER authorized service facility and which is proved to be defective upon inspection by MR. HEATER.

This warranty shall not apply to any part or product which has been subjected to misuse or neglect, damaged by accident, or rendered defective by reason of improper installation. THIS WARRANTY IS IN LIEU OF ANY AND ALL OTHER WARRANTIES, EXPRESSED OR IMPLIED, and of any other responsibility of MR. HEATER for parts or products sold by MR. HEATER, including consequential or special damages.

This Warranty gives you specific legal rights, and you may have other rights which vary from state to state.

MR. HEATER reserves the right to make changes at any time, without notice or obligation, in colors, specifications, accessories, materials and models.

PRODUCT REGISTRATION: Thank you for your purchase.

Please log in to <http://www.egiregistration.com> to register your product.



MR. HEATER, 4560 W. 160TH ST., CLEVELAND, OHIO 44135 • 800-251-0001  
Enerco and Mr. Heater are registered trademarks of Enerco Group, Inc.

© 2019, Enerco/Mr. Heater. All rights reserved

## GUIDE D'UTILISATION ET MANUEL DU PROPRIÉTAIRE

**REMARQUE :** lisez et suivez les instructions d'utilisation. Rangez le manuel de l'utilisateur dans un endroit sûr aux fins de référence ultérieure. NE LAISSEZ PERSONNE qui n'a pas lu le manuel de l'utilisateur tenter de monter, de mettre en marche, de régler ou de faire fonctionner l'appareil de chauffage.

**MR. HEATER**

MODELES

MH125LP



### APPAREIL DE CHAUFFAGE PORTATIF À INFRAROUGE ET AU GAZ

NE LAISSEZ PAS L'APPAREIL DE CHAUFFAGE FONCTIONNER SANS SURVEILLANCE



#### MISE EN GARDE GÉNÉRALE CONTRE LES RISQUES :

LE NON-RESPECT DES PRÉCAUTIONS ET DES INSTRUCTIONS FOURNIES AVEC LE PRÉSENT APPAREIL DE CHAUFFAGE RISQUE D'ENTRAÎNER DES BLESSURES CORPORELLES GRAVES, DES PERTES OU DOMMAGES DE BIENS CAUSÉS PAR LE FEU, DES EXPLOSIONS, DES BRÛLURES, DES ÉLECTROCUTIONS, L'ASPHYXIE, L'EMPOISONNEMENT AU MONOXYDE DE CARBONE OU LA MORT.

SEULES LES PERSONNES COMPRENNANT ET POUVANT SUIVRE LES INSTRUCTIONS DEVRAIENT UTILISER LE PRÉSENT APPAREIL DE CHAUFFAGE.

SI VOUS DÉSIREZ OBTENIR DE L'AIDE OU DES INFORMATIONS SUR LE PRÉSENT APPAREIL, COMME DES MODES D'EMPLOI, DES ÉTIQUETTES, ETC., VEUILLEZ COMMUNIQUER AVEC LE FABRICANT.



#### MISE EN GARDE :

RISQUE D'INCENDIE, DE BRÛLURE, D'INHALATION DE SUBSTANCES TOXIQUES ET D'EXPLOSION. TEL QUE MENTIONNÉ DANS LE MANUEL DE L'UTILISATEUR, VEUILLEZ GARDER LES COMBUSTIBLES SOLIDES TELS QUE LES MATÉRIAUX DE CONSTRUCTION, LE PAPIER OU LE CARTON À DISTANCE DE L'APPAREIL DE CHAUFFAGE. N'UTILISEZ JAMAIS L'APPAREIL DE CHAUFFAGE DANS DES ENDROITS OÙ IL Y A OU IL PEUT Y AVOIR DES COMBUSTIBLES VOLATILES OU DES PRODUITS TELS QUE DE L'ESSENCE, DES SOLVENTS, DES DILUENTS, DES PARTICULES DE POUSSIÈRE OU DES PRODUITS CHIMIQUES INCONNUS.



**MISE EN GARDE :** LE PRESENT APPAREIL N'EST PAS DESTINE A ETRE UTILISE DANS UN DOMICILE OU UN VEHICULE RECREATIF.

**SPÉCIFICATIONS**

N° DE MODÈLE.....MH125LP  
 TYPE DE GAZ..... Gaz propane liquéfié  
 PRESSION D'ADM. MAX..... 14 PO D'EAU.  
 PRESSION D'ADM. MIN. .... 14 PO D'EAU.  
 PRESSION D'ADMISSION ..... 12 PO D'EAU.

**⚠ MISE EN GARDE**  
 N'EXCÉDEZ PAS ½ PSI (14 POUCES D'EAU) DE PRESSION À LA VALVE D'ADMISSION DU GAZ.

**VENTILATION**

**⚠ MISE EN GARDE**  
 LE PRÉSENT APPAREIL N'EST PAS VENTILÉ ET DOIT ÊTRE UTILISÉ SEULEMENT DANS UN ENDROIT BIEN AÉRÉ.

La circulation d'air et le flux de combustion ne doivent pas être ralentis. N'UTILISEZ PAS l'appareil dans un endroit fermé.

Tout processus de combustion requiert de l'oxygène et peut produire du monoxyde de carbone. L'appareil de chauffage doit être utilisé en présence d'une aération adéquate. L'endroit où l'appareil est mis en marche doit comporter deux ouvertures qui donnent directement vers l'extérieur, soit une basse et une haute, de préférence sur des côtés opposés de la pièce. Chacune de ces ouvertures doit permettre au moins 3 pouces carrés de prise et de sortie d'air pour chaque 1 000 BTU/heure consommé par l'appareil de chauffage afin de compléter le processus de combustion/ventilation. Veuillez assurer une meilleure ventilation si des appareils à combustible ou des personnes supplémentaires se trouvent dans la même pièce que l'appareil de chauffage.

**DÉGAGEMENT (Distances de dégagement autour de matériaux combustibles)**

N'excédez pas les pressions d'admission de gaz indiquées sur les plaques signalétiques. Les pressions d'admission maximale et minimale (pour le réglage de l'admission) pour le gaz propane liquéfié et le gaz naturel sont les suivantes :

N° DE MODÈLE	TAUX BTU/HEURE TYPE DE GAZ	POSITION NORMALE DE FONCTIONNEMENT	DISTANCES DE DÉGAGEMENT AUTOUR DES COMBUSTIBLES		
			CÔTÉS	ARRIÈRE	
MH125LP	95,000 - 125 000*	VERTICALE	48 po	60 po	60 po

\*La capacité et la température du réservoir peuvent influencer directement sur la production de BTU

**CONTENU**

Instructions d'installation .....F-4  
 Emplacement.....F-4  
 Tuyauterie.....F-4  
 Instructions d'utilisation .....F-5  
 Allumage et arrêt.....F-5  
 Entretien .....F-6  
 Liste des pièces de remplacement .....F-6  
 Service à la clientèle et commande de pièces .....F-8

**⚠ MESURES DE SÉCURITÉ**  
 N'utilisez pas l'appareil de chauffage dans un endroit où de l'essence ou autres liquides qui dégagent des vapeurs inflammables sont entreposés ou utilisés.

Cet appareil de chauffage est destiné à être utilisé sur les chantiers de construction, conformément à la norme ANSI Z83.7 / CGA 2.14.

Nous ne pouvons pas prévoir toutes les possibilités d'utilisation de nos appareils de chauffage. SI VOUS AVEZ DES QUESTIONS QUANT AUX DIFFÉRENTES UTILISATIONS POSSIBLES, VEUILLEZ COMMUNIQUER AVEC VOTRE SERVICE DES INCENDIES LOCAL.

Pour certaines applications, d'autres normes régissent l'utilisation de gaz combustibles et d'appareils de chauffage. Demandez à votre commission locale pour obtenir de plus amples informations à ce sujet.

Cet appareil est destiné pour le chauffage temporaire de bâtiments en construction, modification ou réparation.

**⚠ AVERTISSEMENT:** Les carburants utilisés dans les appareils à des produits chimiques, notamment le benzène, connu en Californie pour causer le cancer et causer des malformations congénitales ou d'autres problèmes de reproduction. [www.P65Warnings.ca.gov](http://www.P65Warnings.ca.gov)

**⚠ AVERTISSEMENT:** CE PRODUIT PEUT VOUS EXPOSER À PLOMB ET COMPOSÉS DE PLOMB, IDENTIFIÉ PAR L'ÉTAT DE CALIFORNIE COMME POUVANT CAUSER LE CANCER. LAVEZ-VOUS LES MAINS APRÈS AVOIR MANIPULÉ CE PRODUIT. POUR DE PLUS AMPLES INFORMATIONS, PRIÈRE DE CONSULTER [WWW.P65WARNINGS.CA.GOV](http://WWW.P65WARNINGS.CA.GOV).

## MISE EN GARDE LIÉE AUX SUBSTANCES ODORANTES

### MISE EN GARDE

#### ⚠ Risque d'asphyxie

- N'utilisez pas l'appareil dans des endroits sans ventilation.
- Le débit de combustion et l'air de ventilation ne doivent pas être obstrués.
- Un air de ventilation adéquat doit être fourni pour supporter les exigences de l'air de combustion de l'appareil de chauffage utilisé.
- Référez-vous à la section des spécifications du manuel de l'appareil de chauffage, à la plaque de données de l'appareil ou communiquez avec le fabricant pour obtenir les renseignements relatifs aux exigences en apport d'air de ventilation de l'appareil.
- Un air de ventilation inapproprié occasionnera une combustion inadéquate.
- Une combustion inadéquate peut provoquer une asphyxie par le monoxyde de carbone causant de sérieuses blessures ou la mort. Les symptômes d'empoisonnement par le monoxyde de carbone peuvent inclure des maux de tête, des étourdissements et des difficultés respiratoires.

## ODEUR DU GAZ DE COMBUSTION

**Le GPL et le gaz naturel contiennent des substances odorantes artificielles ajoutées spécifiquement pour la détection de fuites de gaz de combustion. Si une fuite de gaz survient, vous devriez pouvoir sentir le gaz de combustion. Du fait que le propane (liquéfié) est plus lourd que l'air, vous devriez sentir l'odeur de gaz près du sol. N'IMPORTE QUELLE ODEUR DE GAZ EST LE SIGNAL POUR PRENDRE DES MESURES IMMÉDIATES !**

- Ne pas entreprendre une action qui pourrait enflammer le gaz de combustion. Ne pas basculer des interrupteurs électriques. Ne pas tirer une alimentation ou des rallonges électriques. Ne pas allumer des allumettes ni aucune autre source de flamme. Ne pas utiliser votre téléphone.
- Faire sortir tout le monde du bâtiment et s'éloigner de la zone tout de suite.
- Fermer tous les réservoirs de gaz propane (liquéfié) ou les vannes d'alimentation des cylindres de carburant ou la vanne d'alimentation principale de carburant située au compteur si vous utilisez du gaz naturel.
- Le gaz propane (liquéfié) est plus lourd que l'air et peut séjourner dans les zones basses. Quand vous avez toutes les raisons pour soupçonner une fuite de propane, empêchez l'accès à toutes les zones basses.
- Utiliser le téléphone de votre voisin et appeler votre fournisseur de gaz de combustion et les pompiers de votre secteur. Ne pas rentrer à nouveau dans le bâtiment ou dans la zone.
- Vous tenir hors du bâtiment et loin de la zone jusqu'à ce qu'elle soit déclarée sûre par les pompiers et par le fournisseur de votre gaz de combustion.
- ENFIN, laisser le personnel d'entretien du gaz de combustion et les pompiers vérifier si du gaz s'est échappé. Leur faire aérer le bâtiment et la zone avant d'y retourner. Les personnels d'entretien correctement formés doivent réparer toutes les

fuites, vérifier qu'il n'y ait pas d'autres fuites possibles et ensuite rallumer l'appareil pour vous.

## DISSIPATION D'ODEUR PAS D'ODEUR DETECTÉE

- Certaines personnes ne peuvent pas bien sentir les odeurs. Certaines personnes ne peuvent pas sentir l'odeur artificielle du produit chimique ajouté au propane (liquéfié) ou au gaz naturel. Vous devez déterminer si vous pouvez sentir la substance odorante dans ces gaz de combustion.
- Apprenez à reconnaître l'odeur du gaz propane (liquéfié) et du gaz naturel. Les revendeurs locaux de gaz propane (liquéfié) seront plus qu'heureux de vous donner une brochure que vous grattez et sentez. Utilisez-la pour vous familiariser avec l'odeur du gaz de combustion.
- Fumer peut diminuer votre capacité à sentir les odeurs. Se trouver alentour d'une odeur pour une certaine période de temps peut affecter votre sensibilité à cette odeur particulière. Les odeurs présentes dans les bâtiments où sont enfermés des animaux peuvent masquer l'odeur de gaz de carburant.
- **La substance odorante dans le gaz propane (liquéfié) et dans le gaz naturel n'a pas de couleur et l'intensité de son odeur peut se dissiper dans certaines circonstances.**
- S'il y a une fuite souterraine, le passage du gaz à travers le sol peut filtrer la substance odorante.
- L'odeur de gaz propane (liquéfié) peut différer dans son intensité à différents niveaux. Du fait que le gaz propane (liquéfié) est plus lourd que l'air, il peut y avoir plus d'odeurs à des niveaux inférieurs.
- **Soyez toujours en alerte pour l'odeur de gaz la plus insignifiante.** Si vous continuez à détecter n'importe quelle odeur de gaz, aussi faible soit-elle, traitez-la comme une fuite sérieuse. Mettez-vous tout de suite en action comme il a été discuté précédemment.

## ATTENTION - POINTS CRITIQUES À MÉMORISER!

- Le gaz propane (liquéfié) a une odeur reconnaissable. Apprenez à reconnaître ces odeurs. (Se référer aux sections Odeur de gaz de combustion et Dissipation d'odeur ci-dessus).
- Même si vous n'êtes pas correctement formé dans l'entretien et la réparation de l'appareil de chauffage, il faut TOUJOURS être consciemment averti des odeurs du gaz propane (liquéfié) et du gaz naturel.
- Si vous n'avez pas été correctement formé dans la réparation et l'entretien du gaz propane (liquéfié), alors ne tenter pas d'allumer l'appareil de chauffage, de faire l'entretien ou les réparations ou de faire des réglages du système de combustion de gaz propane (liquéfié) de l'appareil de chauffage.

## INSTRUCTIONS D'INSTALLATION GÉNÉRAL :

**VEUILLEZ LIRE ATTENTIVEMENT LES INSTRUCTIONS SUIVANTES ET LES APPLIQUER NE LAISSEZ PERSONNE qui n'a pas lu le manuel de l'utilisateur tenter de monter, de mettre en marche, de régler ou de faire fonctionner l'appareil de chauffage.**

**N'ESSAYEZ JAMAIS de faire fonctionner l'appareil de chauffage avec un type de gaz autre que celui indiqué sur la plaque signalétique.**

Pour les É.-U. et le Canada, l'installation du présent appareil doit être conforme aux codes locaux et/ou provinciaux ou, dans l'absence de tels codes,

- au code national (É.-U.) de gaz inflammables (National Fuel Gas Code), ANSI Z223.1 - dernière édition (pour la manipulation du gaz naturel et du gaz propane liquéfiés, modèles MH125LP), et à la norme sur l'entreposage et la manipulation de gaz liquéfiés (Standard for the Storage and Handling of Liquefied Petroleum Gases), ANSI/NFPA 58 (pour la manipulation du gaz propane liquéfié, modèle MH125LP), ou
- aux CODES D'INSTALLATION (Canada) CAN/CGA B149.1 ET B149.2

L'appareil de chauffage (y compris le tuyau et l'ensemble de régulation, le cas échéant) doit être inspecté avant chaque utilisation et au moins une fois par année par une personne qualifiée. Si le tuyau du modèle MH125LP montre des signes d'usure excessive, ou s'il est coupé, remplacez-le avant de mettre l'appareil de chauffage en marche. La tuyauterie de remplacement doit avoir été approuvée par le fabricant. Voir la liste des pièces de remplacement.

### EMPLACEMENT

L'appareil de chauffage (et la bonbonne de gaz propane, le cas échéant) doit être placé sur une surface dure, plane et au niveau afin de réduire les risques de basculement. Si une bonbonne de gaz propane est utilisée (avec le modèle MH125LP), celle-ci doit être installée de façon sécuritaire afin d'empêcher qu'elle ne tombe.

**N'UTILISEZ PAS l'appareil de chauffage avec la bonbonne de gaz en une position autre que verticale.**

Le présent appareil de chauffage doit être installé seulement dans des endroits où le potentiel de dommages physiques à l'appareil (p. ex. causés par un contact physique) est réduit au minimum.

L'installateur doit informer le propriétaire/l'utilisateur de l'appareil des précautions à prendre pour protéger l'appareil contre d'éventuels dommages physiques.

Le présent appareil de chauffage produit de la chaleur rayonnante. Il doit donc être placé à au moins 2 mètres d'une bonbonne de gaz et ne doit pas faire face à une bonbonne de gaz à moins de 6 mètres.

L'appareil ne doit pas être exposé directement à l'eau pulvérisée ou à la pluie.

L'efficacité de l'appareil sera réduite si vous l'utilisez dans un endroit venteux. Dans la mesure du possible, installez l'appareil dans un endroit sans courant d'air.

L'appareil doit être gardé propre et libre des matières combustibles, l'essence et d'autres vapeurs inflammables et les liquides.

### TUYAUTERIE

**Modèle MH125LP (pour utilisation avec du gaz propane liquéfié)**

Ce modèle peut être branché à un système d'alimentation autonome de gaz propane liquéfié à l'aide du tuyau et de l'ensemble de régulation fournis avec l'appareil OU peut être branché à un système d'alimentation de gaz propane liquéfié installé de façon permanente.

Si branchée à un système d'alimentation autonome de gaz propane liquéfié, la tuyauterie doit être examinée avant chaque utilisation. Si le tuyau montre des signes d'usure excessive, ou s'il est coupé, remplacez-le avant de mettre l'appareil de chauffage en marche.

Si branchée à un système d'alimentation autonome de gaz propane liquéfié, la bonbonne doit avoir une capacité de gaz propane liquéfié minimale et maximale de 18 et 45 kg respectivement. NE BRANCHEZ PAS l'appareil à une bonbonne ayant une capacité de gaz propane liquéfié nominale de 18 kg. NE BRANCHEZ PAS l'appareil à plus d'une bonbonne ayant une capacité de 45 kg.



#### MISE EN GARDE

**N'UTILISEZ JAMAIS UNE BONBONNE DE TYPE CHARIOT ÉLEVATEUR À FOURCHE.**

Le branchement du modèle MH125LP à une bonbonne de gaz propane liquéfié doit être effectué dans un endroit bien aéré à l'aide de la tuyauterie et de l'ensemble de régulation fournis avec l'appareil. **N'ESSAYEZ PAS de régler ce régulateur.** Celui-ci a été réglé en usine afin d'assurer un fonctionnement adéquat et sécuritaire de l'appareil. Utilisez une clé à fourche 7/8 po pour brancher la pièce de fixation de gauche (fournie avec le régulateur à gaz) à la bonbonne de gaz. Vissez l'écrou de gauche en sens anti-horaire (filetage à gauche). **N'UTILISEZ PAS de mastic pour joints de tuyaux sur le filetage de gauche.**

L'appareil de chauffage doit être placé à au moins six pieds d'une bonbonne de gaz et ne doit pas faire face à une bonbonne de gaz à moins de 6 mètres. Si plusieurs appareils de chauffage sont utilisés, ces derniers ainsi que les bonbonnes doivent être séparés par une distance d'au moins 6 mètres.

Lorsque l'appareil de chauffage n'est pas utilisé, l'alimentation en gaz doit être coupée à la source, c'est-à-dire à la bonbonne de gaz.

Si l'appareil de chauffage est entreposé à l'intérieur, le tuyau entre la bonbonne de gaz et l'appareil doit être débranché, et la bonbonne enlevée de l'appareil de chauffage et entreposée de la façon indiquée au chapitre 5 de la norme d'entreposage et de manipulation des gaz liquéfiés (Standard for the Storage and Handling of Liquefied Petroleum Gases) ANSI/NFPA 58 (É.-U.) OU CAN/CGA B149.2 (Canada).

Si branché à un système d'alimentation de gaz installé de façon permanente, le système requiert l'utilisation d'un ensemble de régulation à deux phases habituellement fourni par votre fournisseur de gaz avec le système d'alimentation de gaz. Pour obtenir de plus amples informations sur les instructions d'installation et l'équipement appropriés, veuillez vous renseigner auprès de votre fournisseur de gaz local.

Avant d'allumer l'appareil, veuillez vous assurer que les pièces de fixation et les joints sont bien installés afin de prévenir des fuites éventuelles. Pour détecter des fuites, appliquez une petite quantité d'eau savonneuse sur tous les joints; des bulles se formeront en présence de fuite. Dans un tel cas, couper immédiatement l'alimentation en gaz. Attendez au moins 5 minutes, réparez la fuite et faites une autre vérification. Faites sécher les joints après la vérification.



#### MISE EN GARDE

**N'UTILISEZ JAMAIS UNE FLAMME NUE POUR PROCÉDER À LA VÉRIFICATION D'UNE FUITE COLMATÉE.**

## INSTRUCTIONS D'UTILISATION



### MISE EN GARDE

SI VOUS NE RESPECTEZ PAS LES INSTRUCTIONS À LA LETTRE, UN INCENDIE OU UNE EXPLOSION PEUT S'ENSUIVRE ET CAUSER DES DOMMAGES DE BIENS, DES BLESSURES CORPORELLES OU LA MORT.



### AVERTISSEMENT

LE PRÉSENT APPAREIL DEVIENT TRÈS CHAUD EN COURS D'UTILISATION. ÉVITEZ TOUT CONTACT PHYSIQUE.



### AVERTISSEMENT

NE DÉPOSEZ PAS DE VÊTEMENT OU AUTRE MATÉRIAU COMBUSTIBLE SUR L'APPAREIL DE CHAUFFAGE.

**N'UTILISEZ PAS l'appareil si l'un de ses composants a été en contact avec de l'eau.** Faites appel à un technicien qualifié pour procéder à une vérification de l'appareil et remplacer toute pièce du système de contrôle ou de la valve ayant été en contact avec de l'eau.

Le présent appareil de chauffage doit être installé seulement dans des endroits où le potentiel de dommages physiques à l'appareil est réduit au minimum. Le propriétaire/utilisateur doit s'assurer que les précautions nécessaires sont prises afin de protéger l'appareil contre d'éventuels dommages physiques.

## ALLUMAGE ET ARRÊT

### Allumage de l'appareil

- 1 Avant d'allumer l'appareil, assurez-vous qu'il n'y a pas d'odeur de gaz. Étant donné que le gaz propane liquéfié est plus lourd que l'air, il est important de sentir au niveau du sol. Alimenter l'appareil en gaz et inspectez les joints pour détecter toute fuite de gaz à l'aide d'eau savonneuse. **N'UTILISEZ JAMAIS une flamme nue pour détecter une fuite.** En cas de fuite, couper immédiatement l'alimentation en gaz à l'appareil. Attendez au moins 5 minutes avant de colmater la fuite.
- 2 Utilisez seulement le type de combustible prévu pour le présent appareil de chauffage. Consultez la plaque signalétique pour obtenir des informations sur le type de combustible à utiliser.
- 3 Appuyer sur le bouton. Faites tourner le bouton de la valve de gaz en sens horaire jusqu'à la position « OFF ». Voir les figures 1 et 2 pour connaître l'emplacement des pièces de l'appareil.
- 4 Attendez au moins 5 minutes pour laisser s'échapper le gaz qui s'est peut-être accumulé dans la chambre du brûleur.
- 5 Ouvrez l'alimentation de gaz principale.
- 6a Appuyez sur le bouton de contrôle et faites-le tourner en sens anti-horaire jusqu'à la position « Pilot ». Maintenez-le enfoncé pendant 1 ou 2 minutes. Le processus d'évacuation d'air peut prendre plus de temps si vous utilisez un long boyau d'alimentation.

Appuyez sur le bouton d'allumage rouge pour allumer la flamme de la veilleuse (répétez jusqu'à ce que la veilleuse s'allume) et continuez de maintenir le bouton de contrôle enfoncé en position « Pilot » pendant encore 30-60 secondes afin d'activer le système de sécurité de la veilleuse.

Faites tourner le bouton de contrôle jusqu'à la position « ON » pour allumer le brûleur. **ou...**

- 6b Pour allumer la veilleuse, déplacez le couvercle du trou d'allumage (voir figure 1) et placez une allumette allumée dans le trou. Appuyez sur le bouton de la valve de gaz et maintenez-le enfoncé pendant l'allumage tout en observant le bouton de la veilleuse. Assurez-vous que l'allumette allume le brûleur. Laissez la veilleuse brûler pendant environ 30 secondes avant de relâcher le bouton de la valve de gaz. Si la veilleuse ne reste pas allumée, répétez la démarche d'allumage et attendez un peu plus longtemps avant de relâcher le bouton de la valve de gaz.

**REMARQUE :** si de longues conduites d'alimentation en gaz ont été installées en avant de l'appareil de chauffage, vous devrez peut-être enlever l'air de ces conduites avant d'allumer la veilleuse. C'est souvent le cas pour les conduites d'alimentation des nouvelles installations. Après avoir enlevé l'air des conduites d'alimentation, attendez au moins 5 minutes avant d'essayer d'allumer le brûleur.

Réglez la veilleuse au besoin, tel que décrit sous « Réglage de la veilleuse ».

- 7 Faites tourner le bouton de la valve de gaz en sens anti-horaire jusqu'à la position « ON » (voir figure 1). Le brûleur s'allumera. Le bouton de tour dans le sens des aiguilles d'une montre jusqu'à l'arrêt pour la position de feu basse.
- 8 **IMPORTANT : N'ESSAYEZ PAS de régler la contribution de brûleur principale au-delà de l'arrêt,** car la veilleuse et le thermocouple pourraient fermer le brûleur (Voir figure 2).

### Arrêt de l'appareil

Pour éteindre l'appareil de chauffage

- Pour de courtes durées, fermez le brûleur principal en faisant tourner le bouton de la valve de gaz en sens horaire jusqu'à la position « PILOT ».
- Pour de longues périodes d'inutilisation, appuyez sur le bouton, fermez complètement l'appareil en faisant tourner le bouton de la valve de gaz en sens horaire jusqu'à la position « PILOT », appuyez légèrement sur le bouton, puis faites-le tourner en sens horaire jusqu'à la position « OFF ». (Remarque : pour le modèle 120L, n'oubliez pas de fermer la bonbonne de gaz.)

### Réglage de la veilleuse

- 1 Enlevez le capuchon de réglage de la veilleuse. Le capuchon de réglage est une vis fendue située en face de la désignation « Pilot » imprimée sur le dessus du corps de la valve, juste sous le bouton de la valve de gaz.
- 2 Réglez la clé de la veilleuse pour obtenir une flamme de taille appropriée. Faites tourner la clé en sens horaire pour diminuer la flamme, ou en sens anti-horaire pour l'augmenter.
- 3 Remplacez le capuchon de réglage de la veilleuse.

## ENTRETIEN

Le présent appareil de chauffage (y compris la tuyauterie et l'ensemble de régulation, le cas échéant) doit être inspecté avant chaque utilisation. Si le tuyau du modèle MH125LP montre des signes d'usure excessive, ou s'il est coupé, remplacez-le avant de mettre l'appareil de chauffage en marche. La tuyauterie de remplacement doit avoir été approuvée par le fabricant. Voir la liste des pièces de remplacement.

L'espace environnant de l'appareil doit toujours être dépourvu de combustibles, d'essence ou de vapeurs ou de liquides inflammables.

La circulation d'air et le flux de combustion ne doivent pas être ralentis.

### Nettoyage

L'appareil de chauffage doit être nettoyé régulièrement afin d'enlever toute particule de poussière et de saleté.



### DANGER

**NÉ TENTEZ PAS DE NETTOYER L'APPAREIL DE CHAUFFAGE LORSQUE CELUI-CI EST EN MARCHÉ OU ENCORE CHAUD.**

Éteignez l'appareil et laissez-le refroidir complètement (au moins 20 minutes) avant de le nettoyer.

Nettoyez l'extérieur de l'appareil à l'aide d'un chiffon humide. **NE NETTOYEZ PAS** l'appareil de chauffage en y vaporisant de l'eau. Essuyez ensuite l'extérieur avec un chiffon sec.

Nettoyez l'intérieur de l'appareil en utilisant de l'air comprimé. Soufflez de l'air sur toutes les surfaces intérieures jusqu'à ce que la saleté soit délogée.

Nettoyez l'orifice de chaque brûleur à l'aide d'une mèche n° 69 (pour gaz propane liquéfié). Nettoyez l'orifice à la main - **N'UTILISEZ PAS** de perceuse électrique.

Nettoyez le fil du thermocouple.

**N'UTILISEZ PAS l'appareil si l'un de ses composants a été en contact avec de l'eau.** Faites appel à un technicien qualifié pour procéder à une vérification de l'appareil et remplacer toute pièce du système de contrôle ou de la valve ayant été en contact avec de l'eau.

L'appareil de chauffage doit être inspecté au moins une fois par année par une personne qualifiée.



### MISE EN GARDE

**N'excédez pas 1/2 PSI de pression de gaz à la valve de contrôle du gaz de l'appareil.**

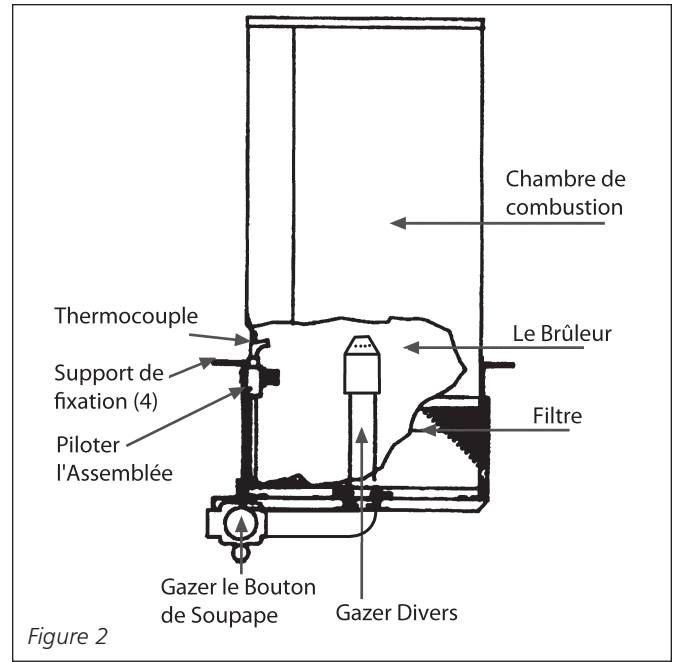
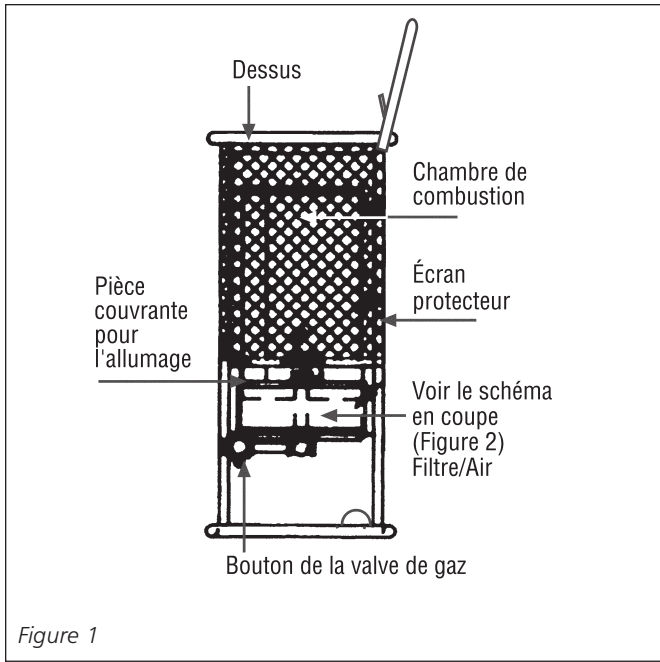
## LISTE DES PIÈCES DE REMPLACEMENT N° MODÈLE MH125LP

**VOIR LA DERNIÈRE PAGE POUR OBTENIR DES  
INFORMATIONS SUR LA COMMANDE DE PIÈCES**

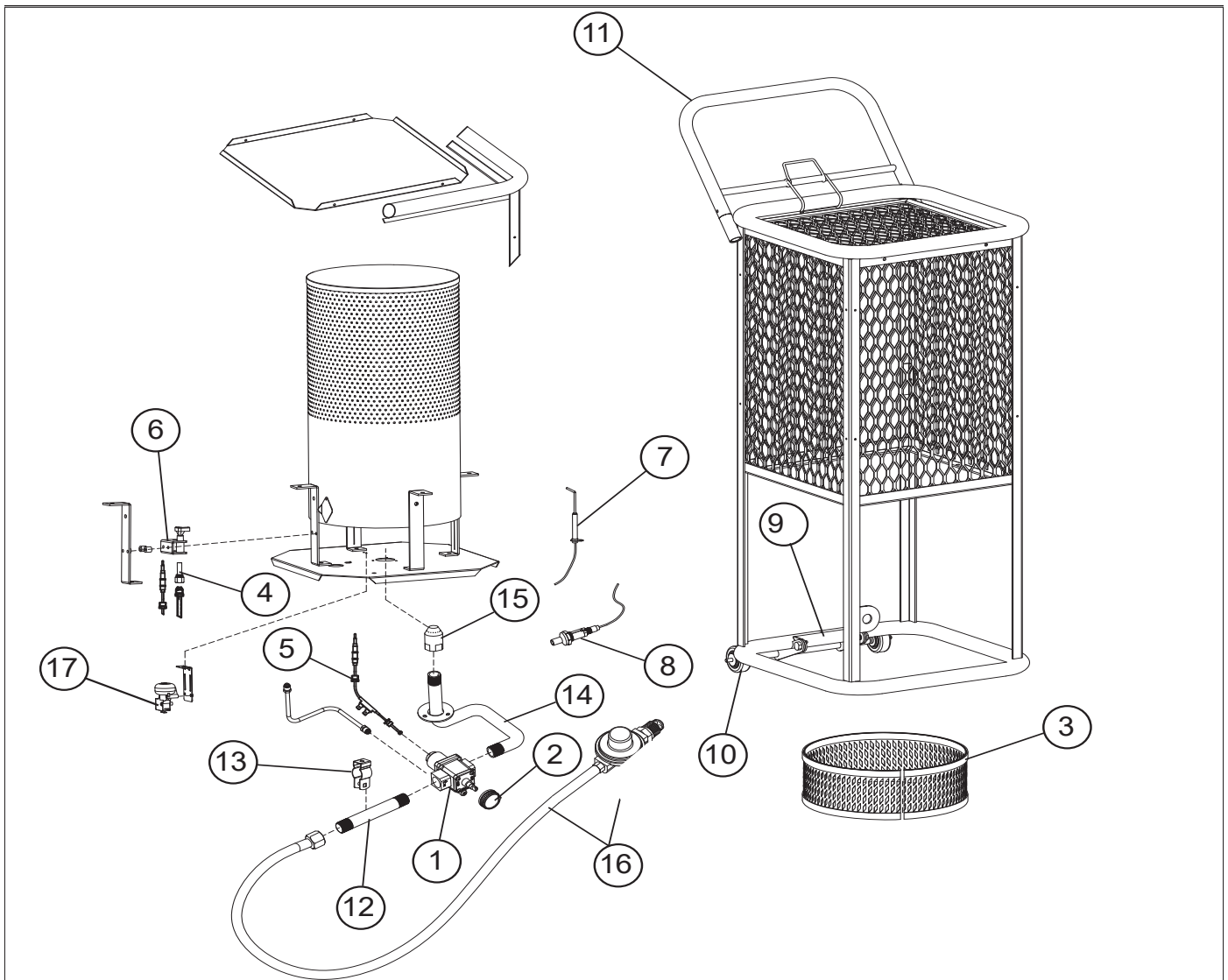
N° RÉF.	N° ARTICLE	DESCRIPTION
1.....	23510.....	Valve de contrôle manuelle
2.....	23511.....	Bouton de contrôle de la vanne
3.....	04466.....	Filtre/Diffuseur
4.....	23512.....	Orifice de la veilleuse
5.....	21920.....	Thermocouple, 13"
6.....	23514.....	Brûleur de la veilleuse
7.....	23515.....	Allumeur
8.....	20735.....	Piézo
9.....	23523.....	Essieu
10.....	23518.....	Roue
11.....	23517.....	Poignée
12.....	23519.....	Le Tube de Provision de soupape
13.....	23520.....	Le Serre-joint de Tube de Provision de soupape
14.....	23521.....	Le brûleur Divers
15.....	23522.....	Le brûleur (L/P)
16.....	11420.....	L'Assemblée de tuyau
17.....	42116.....	Renversement du commutateur



**NE JAMAIS LAISSER LE CHAUFFAGE SANS SURVEILLANCE PENDANT LE BRÛLAGE!**



**APPAREIL DE CHAUFFAGE PORTATIF À INFRAROUGE ET AU GAZ  
N° MODÈLES MH125LP**



# NE JAMAIS LAISSER LE CHAUFFAGE SANS SURVEILLANCE PENDANT LE BRÛLAGE!

## ⚠️ AVERTISSEMENT

### Danger de la qualité de l'air

- N'utilisez pas cet appareil de chauffage pour le chauffage des locaux d'habitation humaine.
- L'utilisation des appareils de chauffage direct dans les environnements de construction peut vous exposer à des niveaux de CO, CO<sub>2</sub>, et NO<sub>2</sub>, qui sont considérés comme dangereux pour la santé et potentiellement mortels.
- Ne pas utiliser dans les zones non ventilées.
- Connaissez les signes d'empoisonnement au CO et CO<sub>2</sub>.
  - Maux de tête, brûlure des yeux
  - Vertige, désorientation
  - Difficulté à respirer, sensation d'étouffement
- Un échange d'air de ventilation adéquat (OSHA 29 CFR 1926.57) pour supporter la combustion et maintenir une qualité de l'air acceptable est fournie selon OSHA 29 CFR partie 1926.154, ANSI A10.10 Exigences de sécurité pour les appareils et équipements de chauffage portables et temporaires utilisés dans l'industrie de la construction ou les Codes CSA pour le gaz naturel et le gaz propane CSA B149.1.
  - Surveiller périodiquement les niveaux de CO, de CO<sub>2</sub> et de NO<sub>2</sub> existants sur le site de construction – à tout le moins au début du quart de travail et après 4 heures.
  - Prévoir un échange d'air de ventilation, soit naturel ou mécanique, tel que requis pour maintenir une qualité de l'air intérieur acceptable.

	Moyenne pondérée dans le temps sur 8 heures, États-Unis (OSHA 29 CFR 1926.55 App A)	Moyenne pondérée dans le temps sur 8 heures, Canada Directives SST de WorkSafe BC partie 5.1 et Règlement sur les milieux de travail en Ontario 833
CO	50 parties par million	25 parties par million
CO <sub>2</sub>	5000 parties par million	5000 parties par million
NO <sub>2</sub>		3 parties par million (Reg 833)
	É.-U. - Limite de plafond (limite d'exposition à court terme = 15 minutes)	Directives de SST Canada STEL (15 minutes Rég. 833 / 1 heure WSBC) de WorkSafe BC partie 5.1 et Règlement sur les milieux de travail en Ontario 833
CO		100 parties par million
CO <sub>2</sub>		15000 parties par million (WSBC) 30000 parties par million (Reg 833)
NO <sub>2</sub>	5 parties par million	1.0 parties par million (WorkSafeBC) 5.0 parties par million (Reg 833)

- Assurez-vous que le débit d'échange d'air de combustion et de ventilation ne peut pas être obstrué.
- La ventilation peut devoir être augmentée à mesure que le bâtiment « durcit » lors des phases de construction.

L'installation de cet appareil à une altitude supérieure à 2000 pi (610 m) doit être conforme aux codes locaux, ou en l'absence de codes locaux, le National Fuel Gas Code, ANSI Z223.1/NFPA 54, ou la norme nationale du Canada, le Code pour le gaz naturel et le gaz propane, CSA B149.1.

L'appareil de chauffage a été expédié de l'usine, configuré pour fonctionner au gaz propane.

## GUIDE D'UTILISATION ET MANUEL DU PROPRIÉTAIRE

**REMARQUE :** lisez et suivez les instructions d'utilisation. Rangez le manuel de l'utilisateur dans un endroit sûr aux fins de référence ultérieure. NE LAISSEZ PERSONNE qui n'a pas lu le manuel de l'utilisateur tenter de monter, de mettre en marche, de régler ou de faire fonctionner l'appareil de chauffage.

**MR. HEATER**

MODÈLES

MH125LP



### MISE EN GARDE :

UTILISEZ SEULEMENT LES PIÈCES DE REMPLACEMENT DU FABRICANT. L'UTILISATION D'AUTRES PIÈCES PEUT CAUSER DES BLESSURES OU LA MORT. LES PIÈCES DE REMPLACEMENT SONT UNIQUEMENT DISPONIBLES AUPRÈS DE L'USINE ET DOIVENT ÊTRE INSTALLÉES PAR UN TECHNICIEN QUALIFIÉ.

### COMMANDE DE PIÈCES :

**ACHAT :** des accessoires peuvent être achetés auprès de votre détaillant local Mr. Heater ou Enerco, ou directement de l'usine.

#### INFORMATION SUR LE SERVICE

Veuillez composer le numéro sans frais suivant : (800) 251-0001

[www.enerco.com](http://www.enerco.com) • [www.mrheater.com](http://www.mrheater.com)

Nos heures d'ouverture sont de 8 h 00 à 17 h, heure de l'Est, du lundi au vendredi  
Veuillez fournir le numéro du modèle, la date d'achat et la description du problème lorsque vous communiquez avec notre service.

### GARANTIE

Appareil de chauffage à air pulsé au gaz propane pour chantier de construction MH125LP

MR. HEATER garantit que les appareils de chauffage infrarouges fabriqués et vendus sont exempts de défaut de matériel et de fabrication.

Les pièces détachées des ensembles, les contrôles, etc. fournis par MR. HEATER comporteront la garantie d'un (1) an sur les garanties applicables des fournisseurs.

La seule responsabilité de MR. HEATER sous cette garantie sera de remplacer ou de réparer n'importe quelle pièce pour laquelle une réclamation écrite est faite à MR. HEATER dans la limite de validité de cette garantie, qui est retournée sur demande à MR. HEATER – FOB Cleveland, Ohio – ou FOB à n'importe quel centre d'entretien agréé MR. HEATER, et qui s'est révélée défectueuse lors de l'inspection par MR. HEATER

Cette garantie ne s'appliquera pas à toute pièce ou produit qui a été soumis à une mauvaise utilisation ou à de la négligence, endommagé par accident ou rendu défectueux en raison en raison d'une mauvaise installation. CETTE GARANTIE VAUT EN LIEU ET PLACE DE N'IMPORTE QUELLE ET DE TOUTES AUTRES GARANTIES, EXPRIMEES OU IMPLICITES, et d'aucune autre responsabilité de MR. HEATER pour les parties ou les produits vendus par MR. HEATER, y compris les dommages conséquents ou spéciaux.

La présente garantie vous accorde des droits juridiques précis, mais vous pourriez avoir d'autres droits qui varient selon la province ou l'État.

MR. HEATER se réserve le droit de modifier en tout temps, sans préavis ni obligation, les couleurs, spécifications, accessoires, matériaux et modèles.

ENREGISTREMENT DU PRODUIT : Nous vous remercions de votre achat.

Veuillez vous connecter à <http://www.egiregistration.com> pour enregistrer votre produit.



MR. HEATER, 4560 W. 160TH ST., CLEVELAND, OHIO 44135 • 800-251-0001

Enerco et Mr. Heater sont des marques déposées par Enerco Group, Inc.

© 2019, Enerco/Mr. Heater. Tous droits réservés

**¡NUNCA DEJE EL CALENTADOR DESATENDIDO MIENTRAS SE QUEMA!**

## INSTRUCCIONES DE USO Y MANUAL DEL USUARIO

**LEA CUIDADOSAMENTE LAS INSTRUCCIONES:** lea y siga todas las instrucciones. Consérvelas en un lugar seguro para futura referencia. No permita que nadie que no haya leído estas instrucciones arme, encienda, ajuste o use el calentador.

**MR. HEATER**

MODELO

MH125LP



### CALENTADOR PORTÁTIL PARA CONSTRUCCIÓN INFRARROJO A GAS

NO DEJE EL CALENTADOR DESATENDIDO Y NO LO DEJE FUNCIONANDO MIENTRAS DUERME.

#### IDIOMAS

INGLÉS

Páginas E1 — E8

▶ ESPAÑOL

Páginas S1 — S8

FRANCÉS

Páginas F1 — F8



#### ADVERTENCIA GENERAL DE PELIGRO:

EL NO CUMPLIR CON LAS PRECAUCIONES E INSTRUCCIONES QUE VIENEN CON ESTE CALENTADOR PUEDE CAUSAR LA MUERTE, LESIONES GRAVES Y PÉRDIDAS Y DAÑOS MATERIALES DERIVADOS DEL PELIGRO DE INCENDIO, EXPLOSIÓN, QUEMADURAS, ASFIXIA, ENVENENAMIENTO CON MONÓXIDO DE CARBONO, Y/O DESCARGAS ELÉCTRICAS.

SOLO LAS PERSONAS QUE ENTIENDAN Y PUEDAN SEGUIR LAS INSTRUCCIONES DEBEN USAR O MANTENER ESTE CALENTADOR.

SI NECESITA AYUDA O INFORMACIÓN ACERCA DEL CALENTADOR, COMO MANUALES DE INSTRUCCIONES, ETIQUETAS, ETC., PÓNGASE EN CONTACTO CON EL FABRICANTE.



#### ADVERTENCIA:


PELIGRO DE INCENDIO, QUEMADURAS, INHALACIÓN Y EXPLOSIÓN. MANTENGA LOS COMBUSTIBLES SÓLIDOS COMO MATERIALES DE CONSTRUCCIÓN, PAPEL O CARTÓN A UNA DISTANCIA SEGURA DEL CALENTADOR TAL COMO LO RECOMIENDAN LAS INSTRUCCIONES. NUNCA USE EL CALENTADOR EN ESPACIOS QUE CONTIENEN O PODRÍAN CONTENER COMBUSTIBLES VOLÁTILES O PRODUCTOS COMO GASOLINA, SOLVENTES, DILUYENTE DE PINTURA, PARTÍCULAS DE POLVO O PRODUCTOS QUÍMICOS DESCONOCIDOS.




**ADVERTENCIA:** NO APTO PARA USAR EN EL HOGAR NI EN CASAS RODANTES.

**ESPECIFICACIONES**

N.º DE MODELO ..... MH125LP  
 TIPO DE GAS ..... Gas LP  
 PRESIÓN DE ENTRADA MÁXIMA. .... 14 PULGADAS W.C.  
 PRESIÓN: DE ENTRADA MÍNIMA..... 14 PULGADAS W.C.  
 PRESIÓN DEL COLECTOR..... 12 PULGADAS W.C.

 **ADVERTENCIA**  
 NO EXCEDA EL ½ psi (14" w.c.) DE PRESIÓN DE GAS EN LA VÁLVULA DE CONTROL DE GAS.

**VENTILACIÓN**

 **ADVERTENCIA**  
 ESTE ARTEFACTO NO TIENE VENTILACIÓN Y DEBE USARSE ÚNICAMENTE EN UN ÁREA BIEN VENTILADA.

No obstruya el flujo de aire necesario para la combustión y la ventilación. NO lo use en un lugar muy cerrado.

Todo proceso de combustión requiere y consume oxígeno, y puede producir monóxido de carbono. Este calentador debe usarse con la ventilación adecuada. Debe haber dos aberturas directamente hacia el exterior, una baja y otra alta, preferentemente en los lados opuestos del área que se desea calentar. Cada una de estas aberturas debe tener por lo menos tres pulgadas cuadradas de área de entrada de aire de combustión y área de salida de escape por cada 1000 BTU por hora de la tasa de entrada del calentador para completar el proceso de combustión/ventilación. Proporcione ventilación adicional por cada artefacto a combustible y ocupantes adicionales.

**SEPARACIÓN (distancias mínimas a materiales combustibles)**


No exceda las presiones del suministro de gas indicadas en las placas de especificación. Las presiones máximas y las presiones mínimas del suministro de gas (para ajustar la entrada) para gas LP son las siguientes:

MODELO N.º:	BTU/HR ESPECIFICACIONES DEL TIPO DE GAS	POSICIÓN NORMAL DE FUNCIONAMIENTO	DISTANCIA A COMBUSTIBLES		
			SUPERIOR	COSTADOS	INFERIOR
MH125LP	95,000 - 125,000*	VERTICAL	48"	60"	60"

\*El tamaño y la temperatura del tanque pueden afectar directamente la salida de BTU.

**CONTENIDOS**

Instrucciones de instalación..... 4  
 Ubicación..... 4  
 Tuberías..... 4  
 Instrucciones de uso ..... 5  
 Encendido y apagado ..... 5  
 Instrucciones de mantenimiento ..... 6  
 Lista de repuestos..... 6  
 Información del servicio técnico y para ordenar piezas ..... 8


 **POR SU SEGURIDAD**  
 No use este calentador en un lugar donde se almacene o se use gasolina u otros líquidos con vapores inflamables.


El calentador está diseñado y aprobado para usarse como calentador para construcción bajo las normas ANSI Z83.7/CGA 2.14.

No podemos anticipar todos los usos que se le pueden dar a nuestros calentadores. CONSULTE CON LA AUTORIDAD DE SEGURIDAD ANTIINCENDIOS SI TIENE ALGUNA PREGUNTA SOBRE SUS APLICACIONES.

Hay otros estándares que rigen el uso de gases combustibles y productos que producen calor en aplicaciones específicas. La autoridad local podrá asesorarle al respecto.

Este aplicación es querida para la calefaccion temporal de edificios bajo construccion, modificacion o reparacion.

 **ADVERTENCIA:** LOS COMBUSTIBLES USADOS EN EQUIPOS PARA LICUAR GAS PROPANO, ASÍ COMO LOS PRODUCTOS DE SU COMBUSTIÓN, PUEDEN EXPONERTE A SUSTANCIAS QUÍMICAS, ENTRE ELLAS EL BENCENO, QUE EL ESTADO DE CALIFORNIA RECONOCE COMO CAUSA DE CÁNCER Y DE MALFORMACIONES CONGÉNITAS Y OTROS DAÑOS AL SISTEMA REPRODUCTOR. PARA MÁS INFORMACIÓN, WWW.P65WARNINGS.CA.GOV

 **ADVERTENCIA:** ESTE PRODUCTO PUEDE EXPONERLE A PLOMO Y COMPUESTOS DE PLOMO, QUE ES CONOCIDO (A) POR EL ESTADO DE CALIFORNIA COMO CAUSANTE DE CÁNCER. LÁVESE LAS MANOS DESPUÉS DE MANIPULAR ESTE PRODUCTO. PARA MAYOR INFORMACIÓN, VISITE WWW.P65WARNINGS.CA.GOV.

## ADVERTENCIA DE DISIPACIÓN DEL OLOR

### ADVERTENCIA

#### Peligro de asfixia

- No lo utilice en áreas sin ventilación.
- No obstruya el flujo de aire necesario para la combustión y la ventilación.
- Deberá suministrar la ventilación adecuada para garantizar que el calentador disponga del aire que necesita para la combustión.
- Consulte la sección de especificaciones del manual del calentador, la placa del calentador o póngase en contacto con el fabricante para conocer los requerimientos de ventilación del calentador.
- Si la ventilación no es la adecuada, la combustión no se llevará a cabo correctamente.
- Una combustión inadecuada puede producir envenenamiento con monóxido de carbono con graves daños para la salud, o causar la muerte. Los síntomas de envenenamiento con monóxido de carbono incluyen dolores de cabeza, mareos y dificultad para respirar.

## OLOR A GAS COMBUSTIBLE

Los gases LP y el gas natural contienen sustancias aromáticas artificiales añadidas específicamente para facilitar la detección de fugas de gas. Si se produjera una fuga de gas, usted debe poder oler el gas combustible. Dado que el propano (LP) es más pesado que el aire, debe tratar de detectar el olor lo más cerca del piso posible. **¡CUALQUIER OLOR A GAS SERÁ LA SEÑAL PARA TOMAR MEDIDAS INMEDIATAMENTE!**

- No haga nada que pudiera inflamar el gas combustible. No active ningún interruptor eléctrico. No desconecte ninguna toma de corriente ni cables de extensión. No encienda fósforos ni ninguna otra fuente de llamas. No utilice el teléfono.
- Saque a todas las personas del edificio y aléjelas del área inmediatamente.
- Cierre todas las válvulas de suministro de combustible de los cilindros o del tanque de gas propano (LP), o la válvula principal de suministro de combustible que se encuentra en el medidor si emplea gas natural.
- El gas propano (LP) es más pesado que el aire y puede asentarse en áreas bajas. Cuando sospeche que puede haber una fuga de propano, manténgase alejado de las áreas bajas.
- Utilice el teléfono de su vecino y llame al proveedor de gas y al departamento de bomberos. No vuelva a entrar al edificio ni se acerque al área.
- Manténgase alejado del edificio y del área hasta que los bomberos y el proveedor de gas hayan declarado que no hay peligro.
- POR ÚLTIMO, permita que la persona del servicio de gas y los bomberos revisen si hay fugas de gas. Haga que ventilen el edificio y el área antes de su regreso. Un agente de servicios calificado debe reparar cualquier fuga, revisar si hay otras fugas y volver a encender el artefacto por usted.

## DISIPACIÓN DEL OLOR: NO SE DETECTA NINGÚN OLOR

- Algunas personas tienen problemas de olfato. Algunos no pueden detectar el olor del químico artificial añadido al propano (LP) o al gas natural. Debe determinar si es capaz de oler la sustancia aromática que contienen estos gases combustibles.
- Aprenda a reconocer el olor del gas propano (LP) y del gas natural. Los distribuidores locales de propano (LP) le darán con gusto un panfleto con muestras de olores. Utilícelo para familiarizarse con el olor del gas combustible.
- El hábito de fumar puede disminuir el sentido del olfato. Exponerse a un olor durante un período puede afectar su sensibilidad a ese olor específico. Los olores presentes en instalaciones donde se crían animales pueden enmascarar el olor del gas combustible.
- **La sustancia aromática presente en el gas propano (LP) y en el gas natural es incolora y la intensidad de su olor puede desvanecerse en algunas circunstancias.**
- Si hay una fuga subterránea, el recorrido del gas a través del suelo puede filtrar esta sustancia aromática.
- El aroma del gas propano (LP) puede variar en intensidad a diferentes niveles. Dado que el gas propano (LP) es más pesado que el aire, el olor puede ser más intenso en los niveles más bajos.
- **Manténgase siempre alerta al más mínimo olor a gas.** Si continúa percibiendo el olor a gas, no importa cuán poco sea, proceda como si fuera una fuga grave. Tome medidas de inmediato como se explicó anteriormente.

## ATENCIÓN: PUNTOS IMPORTANTES PARA RECORDAR

- El gas propano (LP) tiene un olor característico. Aprenda a reconocer estos olores. (Consulte las secciones anteriores Olor a gas combustible y Disipación del olor).
- Aunque usted no esté capacitado para dar mantenimiento y reparar el calentador, SIEMPRE esté atento a los olores del gas propano (LP) y del gas natural.
- Si no ha recibido capacitación para reparar y dar mantenimiento a equipos que emplean gas propano (LP), no intente encender el calentador, darle mantenimiento o repararlo, ni hacer ningún ajuste al calentador en el sistema de combustible de gas propano (LP).

## INSTRUCCIONES DE INSTALACIÓN GENERAL:

**LEA CUIDADOSAMENTE ESTAS INSTRUCCIONES. Lea y siga las siguientes instrucciones. NO permita que nadie que no las haya leído arme, encienda, ajuste o use este calentador.**

**NO intente usar el calentador con cualquier otro gas que no sea el que se indica en la placa del calentador.**

Para los EE. UU. y/o Canadá, la instalación de este artefacto debe cumplir con las normas locales o provinciales o, en ausencia de dichas normas,

- con el Reglamento nacional de combustible gaseoso (EE. UU.) ANSI Z223.1 - última edición (para el funcionamiento con gas LP, modelo MH125LP), y con las Normas para el almacenamiento y manejo de gases licuados del petróleo (EE. UU.) ANSI/NFPA 58 (para el funcionamiento con gas LP, modelos MH125LP, HS125LP), o bien
- con las NORMAS actuales DE INSTALACIÓN CAN/CGA B149.1 Y B149.2 (Canadá).

Hay que inspeccionar este calentador (incluso la manguera y el regulador, si corresponde) antes de cada uso y hacerlo revisar por una persona calificada una vez por año por lo menos. Si la manguera del modelo MH125LP muestra signos de abrasión o desgaste excesivo, o si tiene cortes, debe ser reemplazada antes de hacer funcionar el calentador. La manguera de reemplazo debe ser la indicada por el fabricante. Consulte la lista de piezas.

## UBICACIÓN

El calentador (y el cilindro de suministro de gas LP, si corresponde) deben colocarse sobre una superficie dura, plana y nivelada para reducir al mínimo el riesgo de una caída accidental. Si se utiliza un cilindro de suministro de gas LP (por ejemplo, en el modelo MH125LP), el cilindro debe sujetarse bien para evitar que se caiga accidentalmente. **NO use este calentador con el cilindro de suministro en ninguna posición que no sea la vertical.**

Este artefacto debe instalarse únicamente en lugares donde el riesgo de daños físicos al artefacto (originados por contacto físico, por ejemplo) se reduzcan al mínimo.

El instalador debe informarle al dueño o usuario de este artefacto que se deben tomar las precauciones necesarias para proteger al artefacto contra daños físicos.

Este artefacto produce calor radiante. Por lo tanto, debe ubicarse por lo menos a 2 metros de distancia de cualquier contenedor de gas LP y no debe apuntar hacia ningún contenedor de gas LP a menos de 6 metros.

El calentador debe instalarse en un lugar en el que no quede expuesto directamente a las salpicaduras de agua, lluvia o goteo de agua.

El usar este calentador en un área ventosa/con corrientes de aire disminuye su eficiencia. De ser posible, use la unidad en un área sin corrientes de aire.

La aplicación es debe ser guardado limpio y libre de materiales combustibles, gasolina y otros vapores inflamables y líquidos.

## TUBERÍAS

**Para el modelo MH125LP (para usar con gas LP)**

Este modelo puede conectarse a un sistema de suministro autónomo de gas LP con la manguera y el conjunto del regulador suministrado con el artefacto, O BIEN, puede conectarse a un sistema de suministro de gas LP permanentemente.

Si se conecta a un sistema de suministro de gas LP autónomo, el conjunto de la manguera debe inspeccionarse antes de cada uso del calentador. Si es evidente que hay abrasión o desgaste excesivos, o si la manguera está cortada, debe reemplazarse antes de poner en funcionamiento el calentador.

Si se conecta a un sistema de suministro de gas LP autónomo, el cilindro debe tener una capacidad de gas LP mínima de 18 kilogramos y máxima de 45 kilogramos. NO conecte este artefacto a un cilindro que tenga una capacidad nominal de gas LP menor a los 18 kilogramos.



### ADVERTENCIA

**NUNCA USE UN CILINDRO DEL TIPO USADO EN MONTACARGAS.**

La conexión del modelo MH125LP a un cilindro de gas LP debe hacerse en un área bien ventilada, usando el regulador y la manguera que vienen con el artefacto. **NO intente ajustar este regulador.** Ha sido ajustado en la fábrica para brindar un funcionamiento seguro y adecuado del artefacto. Use una llave de extremo abierto de 7/8" para conectar el acople del POL (suministrado con el regulador de LP) al cilindro de gas LP. Enrosque la tuerca POL hacia la izquierda (es una rosca izquierda) hasta que quede fija. **NO utilice compuestos para tuberías en las roscas POL.**

El calentador debe ubicarse por lo menos a 2 metros de cualquier cilindro de gas LP y no debe apuntar hacia ningún cilindro de gas LP a menos de 6 metros. Si se usa más de un calentador, deberán separarse de los cilindros de suministro por más de 6 metros. Verifique cuáles son las normas locales.

El suministro de gas debe cerrarse en el cilindro de suministro de gas LP cuando el calentador no se use.

Cuando deba guardar el calentador en un lugar cerrado, deberá desconectar la conexión entre el cilindro de suministro de gas LP y el calentador, y deberá retirar el cilindro del calentador y guardarlo como se especifica en el Capítulo 5 de las Normas para el almacenamiento y manejo de gases licuados del petróleo. (EE. UU.) ANSI/NFPA 58, O CAN/CGA B149.2 (Canadá).

Si se conecta a un sistema de suministro de gas LP permanentemente, el sistema requiere el uso de un regulador de gas de dos etapas, generalmente suministrado por el distribuidor de gas LP como parte del sistema de suministro de gas LP. Comuníquese con el distribuidor de gas LP local para obtener información detallada sobre el equipo y la instalación adecuados.

Antes de intentar encender el artefacto, deberá verificar bien que no haya ninguna fuga de gas por los acoples o las conexiones. Coloque una pequeña cantidad de solución de agua y jabón en todos los acoples y conexiones y observe si aparecen burbujas. Si detecta alguna fuga, cierre la entrada de gas al artefacto inmediatamente. Espere cinco minutos como mínimo, repare las fugas y vuelva a verificar que no haya fugas. Seque todos los acoples y conexiones después de la prueba de fugas.



### ADVERTENCIA

**NUNCA USE UNA LLAMA PARA VERIFICAR LAS FUGAS.**

## INSTRUCCIONES DE USO

### **ADVERTENCIA**

SI NO SE SIGUEN AL PIE DE LA LETRA ESTAS INSTRUCCIONES, PODRÍA PRODUCIRSE UN INCENDIO O UNA EXPLOSIÓN QUE PROVOCARÍA DAÑOS MATERIALES, LESIONES PERSONALES O MUERTES.

### **CUIDADO**

ESTE ARTEFACTO SE CALIENTA DURANTE SU FUNCIONAMIENTO NORMAL. EVITE TODO CONTACTO FÍSICO.

### **CUIDADO**

NO COLOQUE ROPA U OTRO MATERIAL COMBUSTIBLE SOBRE ESTE ARTEFACTO.

**NO use este calentador si alguna de las piezas ha estado bajo el agua.** Contáctese de inmediato con un técnico de mantenimiento calificado para que inspeccione el calentador y reemplace cualquier pieza del sistema de control o válvula de control de gas que haya estado bajo el agua.

Este artefacto debe instalarse y usarse únicamente en lugares donde el riesgo de daños físicos al artefacto se reduzcan al mínimo. El dueño/usuario de este artefacto debe asegurar que se tomen las precauciones necesarias para proteger el artefacto contra daños físicos.

## ENCENDIDO Y APAGADO

### Encendido del calentador

- 1 Antes de encender el calentador, huela alrededor del área del calentador para verificar que no haya olor a gas. Asegúrese de oler cerca del piso ya que el gas LP es más pesado que el aire y se acumula en el piso. Abra el suministro de gas del artefacto y verifique todos los acoples y conexiones para corroborar que no haya fugas de gas con una solución de agua jabonosa. **NUNCA use un fósforo para buscar fugas.** En caso de que se produzca una fuga de gas, cierre el suministro de gas del artefacto de inmediato. Espere un mínimo de cinco minutos antes de reparar la fuga.
- 2 Use únicamente el combustible especificado para este artefacto. Consulte la placa de especificaciones del artefacto para obtener información correcta acerca del combustible.
- 3 Pulsar la perilla. Gire la perilla de la válvula de gas hacia la derecha a la posición "OFF" (APAGADO). Consulte la fig. 1 y la fig. 2 para ver la ubicación de las piezas del artefacto.
- 4 Espere el tiempo suficiente (al menos cinco minutos) para permitir que salga el gas que se pudo haber acumulado en el compartimiento del quemador.
- 5 Abra el suministro principal de gas.
- 6a Presione y gire la perilla de control hacia la izquierda hasta la posición "Pilot" (Piloto) y manténgala presionada entre 1 y 2 minutos. Purgar aire desde la manguera de suministro puede llevar más tiempo, según la longitud

de la manguera que se use.

Oprima el botón de encendido de color rojo para encender la llama del piloto (repita este paso hasta que se encienda el piloto) y continúe presionando la perilla de control en la posición "Pilot" (Piloto) entre 30 y 60 segundos para habilitar el sistema de seguridad de encendido del piloto.

Gire por completo la perilla de control a la posición "ON" (ENCENDIDO) para encender el quemador, **o bien...**

- 6b Para encender el piloto, retire la tapa del orificio de encendido (consulte la fig. 1) y coloque un fósforo encendido en el orificio. Oprima la perilla de la válvula de gas y manténgala presionada al encenderla y observe el quemador del piloto. Asegúrese de que el quemador del piloto se encienda con el fósforo. Permita que el piloto permanezca encendido durante aproximadamente 30 segundos antes de soltar la perilla de la válvula de gas. Si el piloto no permanece encendido, repita la operación de encendido y mantenga presionada la perilla de la válvula de gas por más tiempo.

NOTA: En caso de que se instalen circuitos largos de líneas de suministro de gas antes que el artefacto, podría ser necesario purgar el aire atrapado en ellas antes de encender el piloto. Generalmente, las instalaciones nuevas requieren del purgado de las líneas de suministro. Espere durante un mínimo de cinco minutos luego de haber purgado las líneas de suministro antes de intentar encender el calentador.

Ajuste el piloto si es necesario, según se indica en la sección "Ajuste del quemador del piloto".

- 7 Gire la perilla de la válvula de gas hacia la izquierda a la posición "ON" (ENCENDIDO) (consulte la fig. 1). El quemador se encenderá. Perilla de vuelta dextrosum para pararse para posición de fuego baja.
8. **IMPORTANTE: NO intente ajustar la entrada del quemador principal usando la válvula general del suministro de gas,** ya que esto podría provocar que el piloto y la termocupla apaguen el quemador (fig. 2).

### Instrucciones de apagado:

Para APAGAR el calentador:

- Por períodos breves, apague el quemador principal girando la perilla de la válvula de gas hacia la derecha a la posición "PILOT" (PILOTO).
- Por períodos prolongados, pulsar la perilla, apague el artefacto por completo girando la perilla de la válvula de gas hacia la derecha a la posición "PILOT" (PILOTO), presione la perilla levemente y luego gírela completamente hacia la derecha a la posición "OFF" (APAGADO). (Nota: Para el modelo 120L, también cierre el cilindro de suministro de gas).

### Ajuste del quemador del piloto:

- 1 Retire la tapa de ajuste del piloto. La tapa de ajuste del piloto es un tornillo ranurado ubicado frente al nombre "Pilot" (Piloto) impreso en la parte superior del cuerpo de la válvula, justo debajo de la perilla de la válvula de gas.
- 2 Ajuste la llave de la perilla para obtener una llama del tamaño adecuado. Gire la llave hacia la derecha para disminuir la llama, o hacia la izquierda para aumentarla.
- 3 Reemplace la tapa de ajuste del piloto.



## INSTRUCCIONES DE MANTENIMIENTO

Este calentador (que incluye la manguera y el regulador, si corresponde) debe inspeccionarse antes de cada uso. Si la manguera del modelo MH125LP muestra signos de abrasión o desgaste excesivo, o si tiene cortes, debe ser reemplazada antes de hacer funcionar el calentador. La manguera de reemplazo debe ser la indicada por el fabricante. Consulte la lista de piezas.

El área del artefacto debe mantenerse libre de materiales combustibles, gasolina y otros vapores y líquidos inflamables en todo momento.

No obstruya el flujo de aire necesario para la combustión y la ventilación.

### Limpieza del calentador:

Periódicamente, deberá limpiar toda la suciedad y la tierra del calentador.



### PELIGRO

**NO INTENTE LIMPIAR EL CALENTADOR MIENTRAS ESTÁ FUNCIONANDO O ANTES DE QUE SE HAYA ENFRIADO.**

Apague el calentador y espere hasta que se haya enfriado por completo (por lo menos 20 minutos) antes de limpiarlo.

Limpie el exterior del calentador con un trapo húmedo. NO limpie el calentador rociándolo con agua. Repase el exterior del calentador con un trapo seco después de limpiarlo.

Limpie el interior del calentador con aire comprimido. Limpie todas las superficies internas con aire hasta que haya quitado toda la suciedad.

Limpie el orificio de cada quemador con una broca N.º 69 (para gas LP). Limpie el orificio manualmente. NO use un taladro eléctrico.

Limpie el cable de la termocupla.

**NO use este calentador si alguna de las piezas ha estado bajo el agua.** Contáctese de inmediato con un técnico de mantenimiento calificado para que inspeccione el calentador y reemplace cualquier pieza del sistema de control o válvula de control de gas que haya estado bajo el agua.

Una persona calificada debe inspeccionar el calentador por lo menos una vez por año.



### ADVERTENCIA

No exceda el ½ psi de presión de gas en la válvula de control de gas del artefacto.

## LISTA DE REPUESTOS PARA EL MODELO MH125LP

### CONSULTE AL DORSO LA INFORMACIÓN PARA ORDENAR REPUESTOS

N.º REF.	N.º DE ARTÍCULO	DESCRIPCIÓN
1.....	23510.....	Válvula de control manual
2.....	23511.....	Perilla de la válvula de control
3.....	04466.....	Filtro/Difusor
4.....	23512.....	Orificio del piloto
5.....	21920.....	Termocupla, 13"
6.....	23514.....	Quemador del piloto
7.....	23515.....	Encendedor
8.....	20735.....	Piezo
9.....	23523.....	Eje con soportes
10.....	23518.....	Rueda
11.....	23517.....	Mango
12.....	23519.....	Tubo de suministro de la válvula
13.....	23520.....	Abrazadera del tubo de suministro de la válvula
14.....	23521.....	Colector del quemador
15.....	23522.....	Quemador (L/P)
16.....	11420.....	Conjunto de la manguera
17.....	42116.....	Interruptor de vuelco

**¡NUNCA DEJE EL CALENTADOR DESATENDIDO MIENTRAS SE QUEMA!**

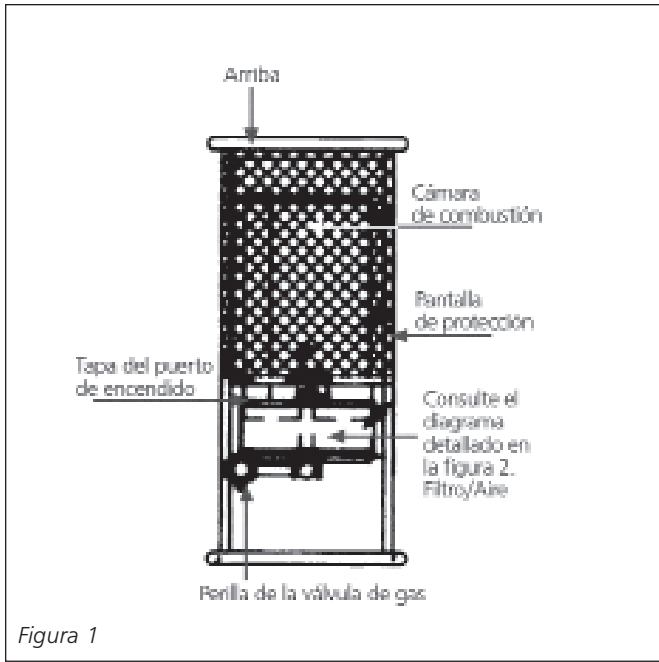


Figura 1

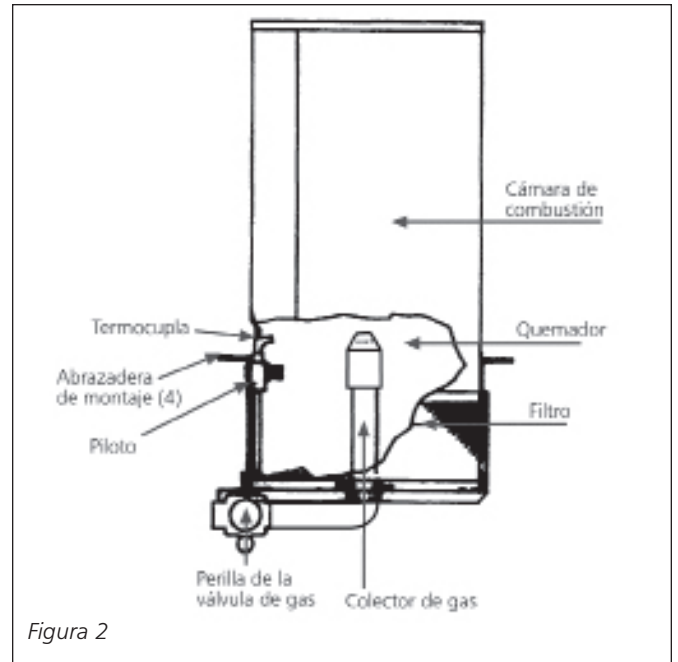
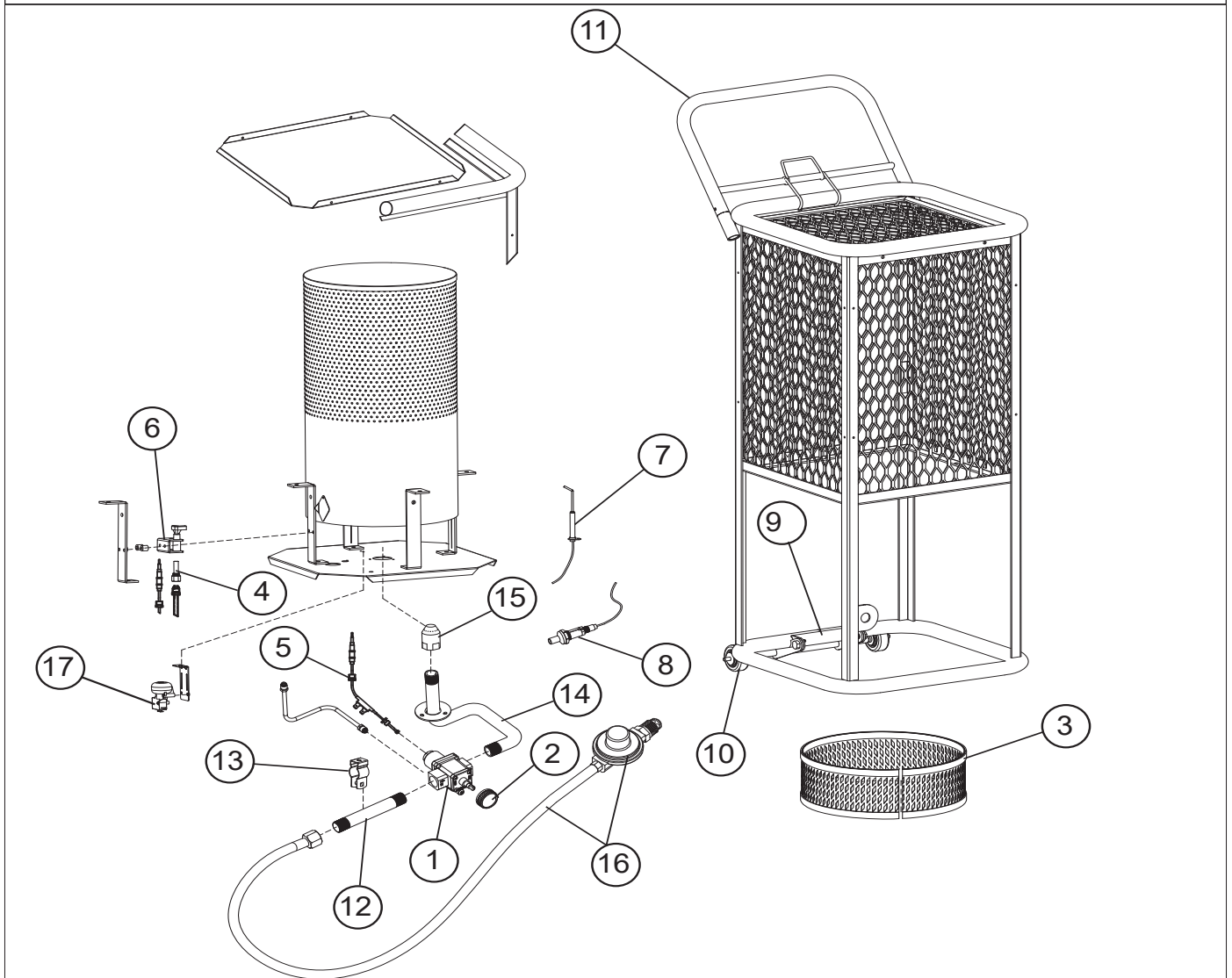


Figura 2

**CALENTADOR PORTÁTIL PARA CONSTRUCCIÓN INFRARROJO A GAS  
MODELO MH125LP**



# ¡NUNCA DEJE EL CALENTADOR DESATENDIDO MIENTRAS SE QUEMA!

## ⚠ADVERTENCIA

### Peligro para la calidad del aire

- No utilice este calefactor para calentar viviendas de personas.
- El uso de calefactores a fuego directo en lugares de construcción puede causar una exposición a niveles de CO, CO<sub>2</sub> y NO<sub>2</sub> considerados como peligrosos para la salud y potencialmente letales.
- No lo utilice en áreas sin ventilación.
- Conozca los signos de envenenamiento por CO y CO<sub>2</sub>.
  - Dolor de cabeza, picazón en los ojos
  - Mareo, desorientación
  - Dificultad para respirar, sentirse sofocado
- Se debe proporcionar aire de ventilación exterior adecuado (OSHA 29 CFR 1926.57) como para mantener la combustión y una calidad de aire aceptable de acuerdo con la norma OSHA 29 CFR Parte 1926.154, con los requisitos de seguridad para dispositivos y equipos de calefacción temporarios y portátiles utilizados en la industria de la construcción (ANSI A10.10) o con las normas de instalación para gas natural y propano (CSA B149.1).
  - Controle periódicamente los niveles de CO, CO<sub>2</sub> y NO<sub>2</sub> presentes en el lugar de la construcción (como mínimo, al principio del turno de trabajo y luego de 4 horas).
  - Proporcione aire de ventilación exterior, ya sea de forma natural o mecánica, como sea necesario para mantener una calidad aceptable del aire interior.

	EE.UU.: Promedio ponderado de 8 horas (OSHA 29 CFR 1926.55 App A)	Canadá: Promedio ponderado de 8 horas Recomendaciones WorkSafe BC OHS Parte 5.1 y Reglamentaciones para lugares de trabajo de Ontario 833
CO	50 partes por millón	25 partes por millón
CO <sub>2</sub>	5000 partes por millón	5000 partes por millón
NO <sub>2</sub>		3 partes por millón (Reg 833)
	EE.UU.: Límite superior (Límite de exposición por corto tiempo = 15 minutos)	Canadá: STEL (15 minutos Reglamentación 833/1 hora WSBC) Recomendaciones WorkSafe BC OHS Parte 5.1 y Reglamentaciones para lugares de trabajo de Ontario 833
CO		100 partes por millón
CO <sub>2</sub>		15000 partes por millón (WSBC) 30000 partes por millón (Reg 833)
NO <sub>2</sub>	5 partes por millón	1.0 partes por millón (WorkSafeBC) 5.0 partes por millón (Reg 833)

- Asegúrese de que no obstruya el flujo de aire necesario para la combustión y para el aire de ventilación.
- A medida que el edificio se vuelve "más cerrado" durante las etapas de construcción, podría ser necesario aumentar la ventilación.

La instalación de este artefacto a alturas de más de 2000 pies (610 m) debe realizarse de acuerdo con las normas locales, y en caso de no existir, de acuerdo con la norma nacional para gas combustible (ANSI Z223.1/NFPA 54), con las normas nacionales de Canadá o con las normas de instalación para gas natural y propano (CSA B149.1)

El calefactor se envió desde la fábrica configurado para funcionar con gas propano.

# INSTRUCCIONES DE USO Y MANUAL DEL USUARIO

**LEA CUIDADOSAMENTE LAS INSTRUCCIONES:** lea y siga todas las instrucciones. Consérvelas en un lugar seguro para futura referencia. No permita que nadie que no haya leído estas instrucciones arme, encienda, ajuste o use el calentador.

**MR. HEATER**

MODELO

MH125LP



## ADVERTENCIA:

USE SOLAMENTE REPUESTOS DEL FABRICANTE. EL USO DE CUALQUIER OTRA PIEZA PODRÍA CAUSAR HERIDAS O LA MUERTE. LOS REPUESTOS ESTÁN DISPONIBLES ÚNICAMENTE EN LA FÁBRICA Y DEBEN SER INSTALADOS POR UNA AGENCIA DE SERVICIO CALIFICADA.

## INFORMACIÓN PARA ORDENAR REPUESTOS:

**COMPRAS:** Los accesorios se pueden comprar en cualquier distribuidor local de Mr. Heater o HeatStar o directamente en la fábrica.

### SI DESEA OBTENER INFORMACIÓN ACERCA DE REPARACIONES

Llame sin cargo al 800-251-0001

[www.enerco.com](http://www.enerco.com) • [www.mrheater.com](http://www.mrheater.com)

Nuestro horario de trabajo es de 8:00 a. m. a 5:00 p. m., hora del este, de lunes a viernes. Incluya el número de modelo, la fecha de compra y la descripción del problema en todas sus comunicaciones.

## GARANTÍA

Calentador portátil para construcción infrarrojo a gas modelo MH125LP

MR. HEATER garantiza que los calentadores infrarrojos fabricados y vendidos estarán libres de defectos de materiales y de mano de obra.

Las piezas, los controles, etc. suministrados por MR. HEATER tendrán un (1) año de garantía sobre las garantías correspondientes de los proveedores.

La única responsabilidad de MR. HEATER en virtud de esta garantía será la de reemplazar o reparar toda pieza que sea reclamada por escrito ante MR. HEATER en el plazo de esta garantía, la cual se envíe a solicitud a MR. HEATER – F.O.B. Cleveland, Ohio – o F.O.B. a MR. HEATER y que se compruebe que esté defectuosa luego de ser inspeccionada por MR. HEATER.

Esta garantía no cubre ninguna pieza o producto que haya sido usado incorrectamente o con negligencia, dañado por accidente o que se haya arruinado por una instalación inadecuada. ESTA GARANTÍA EXPRESA REEMPLAZA A TODAS Y CADA UNA DE LAS GARANTÍAS EXISTENTES, EXPRESAS O IMPLÍCITAS, y cualquier otra responsabilidad de MR. HEATER sobre las piezas o los productos vendidos por MR. HEATER, incluidos los daños consecuentes o especiales.

Esta Garantía le otorga derechos legales específicos, y usted puede tener otros derechos que varían de un estado a otro.

MR. HEATER se reserva el derecho de hacer cambios en cualquier momento, sin previo aviso, en los colores, las especificaciones, los accesorios, los materiales y los modelos.

REGISTRO DEL PRODUCTO: Gracias por su compra.

Inicie sesión en <http://www.egiregistration.com> para registrar su producto.

