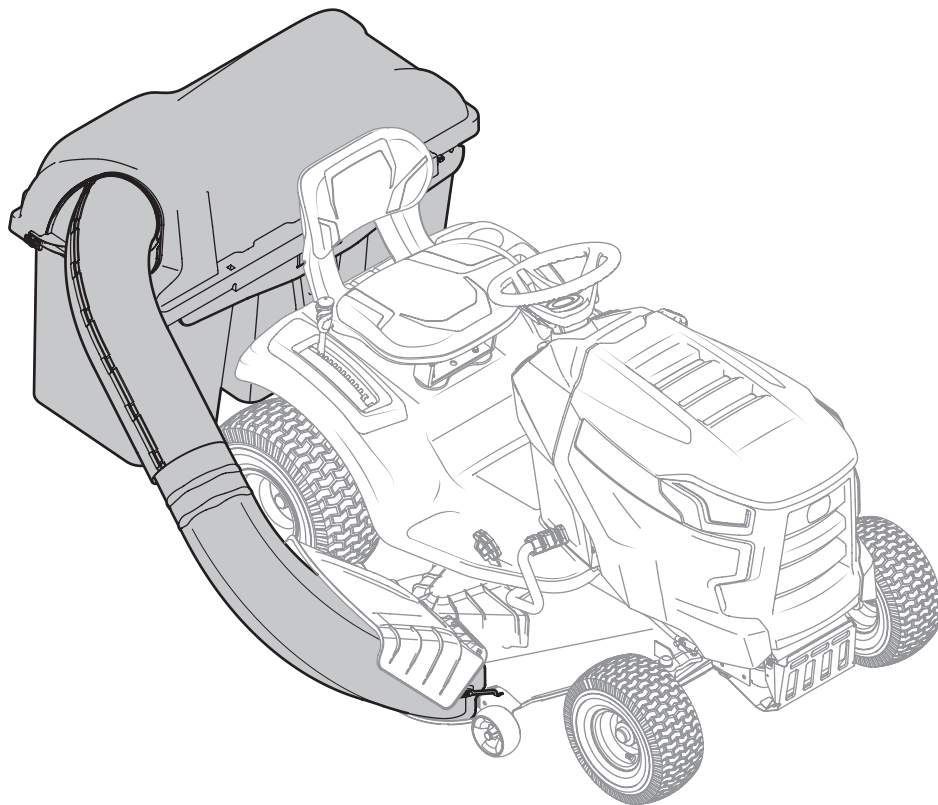

Cub Cadet.

OPERATOR'S MANUAL



Triple Rear Bagger — 19A30018100

⚠ WARNING

**READ AND FOLLOW ALL SAFETY RULES AND INSTRUCTIONS IN THIS MANUAL
BEFORE ATTEMPTING TO OPERATE THIS MACHINE.
FAILURE TO COMPLY WITH THESE INSTRUCTIONS MAY RESULT IN PERSONAL INJURY.**

CUB CADET LLC, P.O. BOX 361131 CLEVELAND, OHIO 44136-0019



Form No. 769-09920B
(May 5, 2017)

Thank You

Thank you for purchasing a Cub Cadet Bagging attachment. It was carefully engineered to provide excellent performance when properly operated and maintained.

IMPORTANT: If installing this bagging kit on a ZF-L (lap bar) unit, bumper adaptor kit 19A70046100 is required and must be installed prior to attempting to install this bagger. See the retailer in which you purchased this bagger to purchase this adapter kit.

Please read this entire manual prior to operating the equipment. It instructs you how to safely and easily set up, operate and maintain your machine. Please be sure that you, and any other persons who will operate the machine, carefully follow the recommended safety practices at all times. Failure to do so could result in personal injury or property damage.

All information in this manual is relative to the most recent product information available at the time of printing. Review this manual frequently to familiarize yourself with the machine, its features and operation. Please be aware that this Operator's Manual may cover a range of product specifications for various models.

Characteristics and features discussed and/or illustrated in this manual may not be applicable to all models. We reserve the right to change product specifications, designs and equipment without notice and without incurring obligation.

If you have any problems or questions concerning the machine, phone your local Cub Cadet dealer or contact us directly. Cub Cadet's Customer Support telephone numbers, website address and mailing address can be found on this page. We want to ensure your complete satisfaction at all times.

Throughout this manual, all references to *right* and *left* side of the machine are observed from the operating position

Table of Contents

Safe Operation Practices	3	Operation.....	14
Carton Contents & Hardware Packs.....	6	Parts List.....	16
Assembly & Installation.....	8	Warranty.....	Back Cover

Record Product Information

Before setting up and operating your new equipment, please locate the model plate and record the information in the area provided to the right. You can locate the model plate by looking on the outside of the bagger cover. The model plate contains the unit's model and serial numbers. This information will be necessary, should you seek technical support via our web site, Customer Support Department, or with a local authorized service dealer.

MODEL NUMBER

--	--	--	--	--	--	--	--	--	--	--	--

SERIAL NUMBER

--	--	--	--	--	--	--	--	--	--	--	--

Customer Support

Please register your product on our website, www.cubcadet.com.

If you have difficulty assembling this product or have any questions regarding the controls, operation, or maintenance of this machine, you can seek help from the experts. Choose from the options below:

- ◇ Visit us on the web at www.cubcadet.com



See How-to Maintenance and Parts Installation Videos at www.cubcadet.com/tutorials

- ◇ Call a Customer Support Representative at (800) 965-4CUB
- ◇ Locate your nearest Cub Cadet Dealer at (877) 282-8684
- ◇ Write to Cub Cadet LLC • P.O. Box 361131 • Cleveland, OH • 44136-0019

Important Safe Operation Practices



WARNING! This symbol points out important safety instructions which, if not followed, could endanger the personal safety and/or property of yourself and others. Read and follow all instructions in this manual before attempting to operate this machine. Failure to comply with these instructions may result in personal injury. When you see this symbol. **HEED ITS WARNING!**



DANGER! This attachment was built to be used according to the safe operation practices in this manual. Carelessness or error on the part of the operator can result in serious injury. Mowers are capable of amputating hands and feet and throwing objects. Failure to observe the following safety instructions as well as the instructions provided with your mower, could result in serious injury or death.



CALIFORNIA PROPOSITION 65

WARNING! This product contains a chemical(s) known to the State of California to cause cancer, birth defects or other reproductive harm.

General Operation

1. Read, understand, and follow all instructions on your equipment and in their manuals before attempting to assemble and operate. Keep this manual in a safe place for future and regular reference and for ordering replacement parts.
2. To help avoid blade contact or a thrown object injury, keep bystanders, helpers, children and pets at least 75 feet from the mower while it is in operation. Stop machine if anyone enters the area.
3. Thoroughly inspect the area where the equipment is to be used. Remove all stones, sticks, wire, bones, toys, and other foreign objects which could be picked up and thrown by the blade(s). Thrown objects can cause serious personal injury.
4. Always wear safety glasses or safety goggles during operation and while performing an adjustment or repair to protect your eyes. Thrown objects which ricochet can cause serious injury to the eyes.
5. Do not operate the mower without the discharge cover or entire grass catcher in its proper place. A missing or damaged discharge cover or grass bag attachment component may result in thrown objects or blade contact injuries.
6. Do not put hands or feet near rotating parts or under the cutting deck. Contact with the blade(s) can amputate hands and feet.
7. Shut off mower's engine and wait for blades to come to a complete stop before unclogging mower's discharge opening or bagger parts.
8. Slow down before turning. Operate the machine smoothly. Avoid erratic operation and excessive speed. Be aware that a grass catcher attachment can affect the handling characteristics of your mower.
9. Disengage blade(s), set parking brake, stop engine and wait until the blade(s) come to a complete stop before opening bagger attachment's top cover, removing grass catcher, emptying grass, unclogging chute, removing any grass or debris, or making any adjustments. Never leave a running machine unattended. Always turn off blade(s), place transmission in neutral, set parking brake, stop engine and remove key before dismounting.

10. Your machine is designed to cut normal residential grass. Do not attempt to mow through unusually tall, dry grass (e.g., pasture) or piles of dry leaves. Dry grass or leaves may contact the engine exhaust and/or build up on the mower deck presenting a potential fire hazard.
11. If situations occur which are not covered in this manual, use care and good judgment. Contact your customer service representative for assistance.

Slope Operation

Slopes are a major factor related to loss of control and tip-over accidents which can result in severe injury or death. Attachments can also affect the stability of the machine. All slopes require extra caution.

For your safety, use the slope gauge included as part of this manual to estimate the angle of slopes before operating this machine on a sloped or hilly area. If the slope is greater than 10 degrees as shown on the slope gauge, do not operate the mower with the grass bag attachment installed on that area or serious injury could result.

Do:

1. Mow up and down slopes, not across. Exercise extreme caution when changing direction on slopes.
2. Watch for holes, ruts, bumps, rocks, or other hidden objects. Uneven terrain could overturn the machine. Tall grass can hide obstacles.
3. Use slow speed. Choose a low enough speed setting so that you will not have to stop or shift while on the slope. Tires may lose traction on slopes even though the brakes are functioning properly. Always keep machine in gear when going down slopes to take advantage of engine braking action.
4. Follow the manufacturer's recommendations for wheel weights or counterweights to improve stability. Keep all movement on the slopes slow and gradual. Do not make sudden changes in speed or direction. Rapid engagement or braking could cause the front of the machine to lift and rapidly flip over backwards which could cause serious injury.
5. Avoid starting or stopping on a slope. If tires lose traction, disengage the blade(s) and proceed slowly straight down the slope.

Do Not:

1. Do not turn on slopes unless necessary; then, turn slowly and gradually downhill, if possible.
2. Do not mow near drop-offs, ditches or embankments. The mower could suddenly turn over if a wheel is over the edge of a cliff, ditch, or if an edge caves in.
3. Do not try to stabilize the machine by putting your foot on the ground.
4. Do not use a grass catcher on steep slopes.
5. Do not mow on wet grass. Reduced traction could cause sliding.

General Service

1. Before cleaning, repairing, or inspecting, make certain the blade(s) and all moving parts have stopped. Disconnect the spark plug wire and ground against the engine to prevent unintended starting.
2. Keep all nuts, bolts, and screws tight to be sure the equipment is in safe working condition.
3. Never tamper with your mower's safety interlock system or other safety devices. Check their proper operation regularly.
4. Never attempt to make adjustments or repairs while the mower's engine is running.
5. Grass catcher components and the discharge cover are subject to wear and damage which could expose moving parts or allow objects to be thrown. For safety protection, frequently check components and replace immediately with original equipment manufacturer's (O.E.M.) parts only, listed in this manual. Use of parts which do not meet the original equipment specifications may lead to improper performance and compromise safety!
6. Maintain or replace safety and instruction labels, as necessary.

Safety Symbols

This table depicts and describes safety symbols that may appear on this product. Read, understand, and follow all instructions on the machine before attempting to assemble and operate.

Symbol	Description
	READ THE OPERATOR'S MANUAL(S) Read, understand, and follow all instructions in the manual(s) before attempting to assemble and operate.
	STOP Turn OFF the engine before opening the bagger cover.



WARNING! Your Responsibility—Restrict the use of this power machine to persons who read, understand and follow the warnings and instructions in this manual and on the machine.

SAVE THESE INSTRUCTIONS!

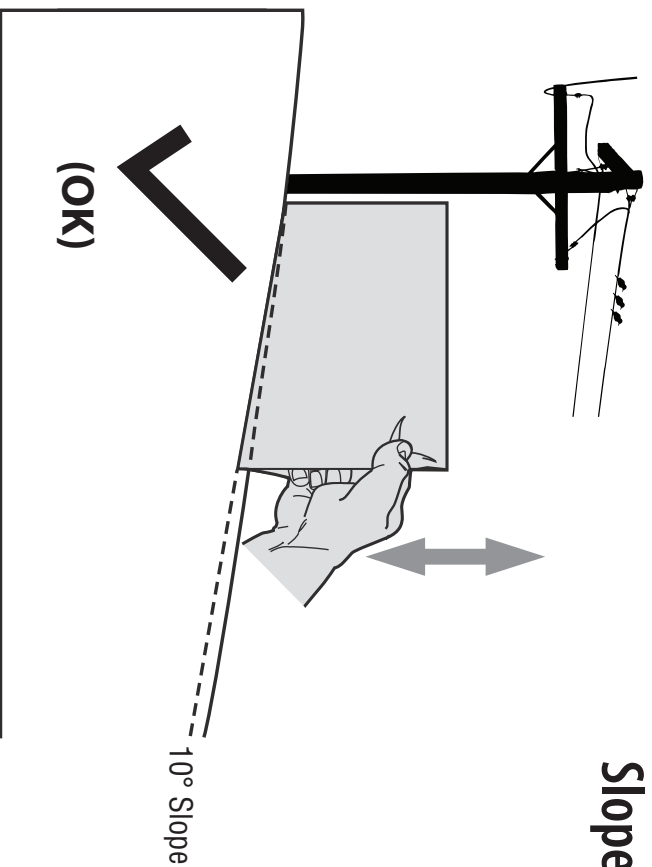


Figure 1

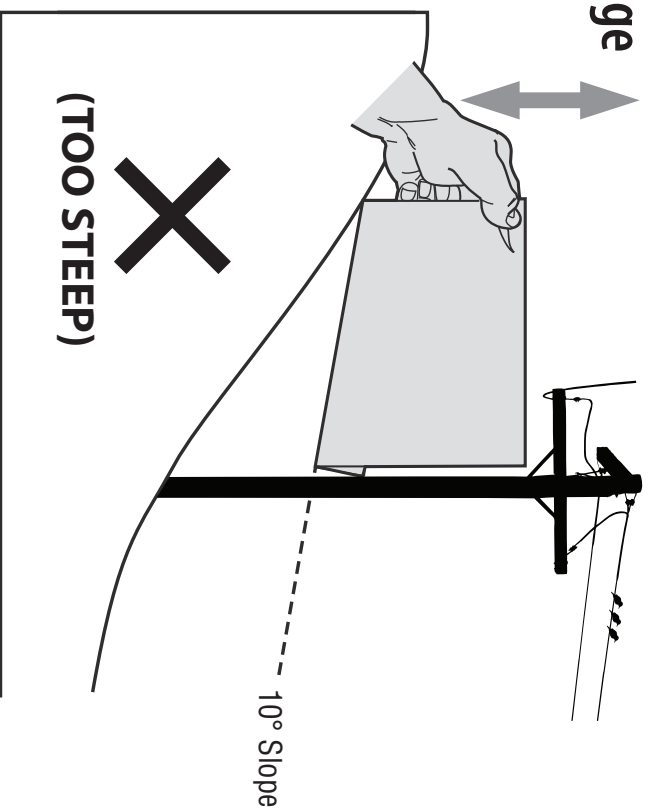


Figure 2

**USE THIS SLOPE GAUGE TO DETERMINE
IF A SLOPE IS TOO STEEP FOR SAFE OPERATION!**

- To check the slope, proceed as follows:
1. Remove this page and fold along the dashed line.
 2. Locate a vertical object on or behind the slope (e.g. a pole, building, fence, tree, etc.)
 3. Align either side of the slope gauge with the object (See Figure 1 and Figure 2).
 4. Adjust gauge up or down until the left corner touches the slope (See Figure 1 and Figure 2).
 5. If there is a gap below the gauge, the slope is too steep for safe operation (See Figure 2 above).

10° dashed line

Slope Gauge

(OK)

(TOO STEEP)

10° Slope

10° Slope



WARNING! Slopes are a major factor related to tip-over and roll-over accidents which can result in severe injury or death. Do not operate machine on slopes in excess of 10 degrees. All slopes require extra caution. If you cannot back up the slope or if you feel uneasy on it, do not mow it. Always mow up and down slopes, never across the face of slopes.

Contents of Carton

3

Before beginning installation, remove all parts from the carton to make sure everything is present. Carton contents are listed below and shown in Figure 3-1. Two hardware packs are included in this kit and are detailed on the following page.

- Grass Catcher Cover
- Hitch Bracket Kit (3 Pcs.)
- Bagger Support Bracket
- Hitch Support
- Three Grass Bag Assemblies
- Upper Chute Support
- Bag Support Assembly
- Upper Chute Tube
- Discharge Chute Elbow
- Hinge Cover Pin
- Foam Self-adhesive strip
- Upright Support
- Two Hardware Packs (Detailed & illustrated on next page)

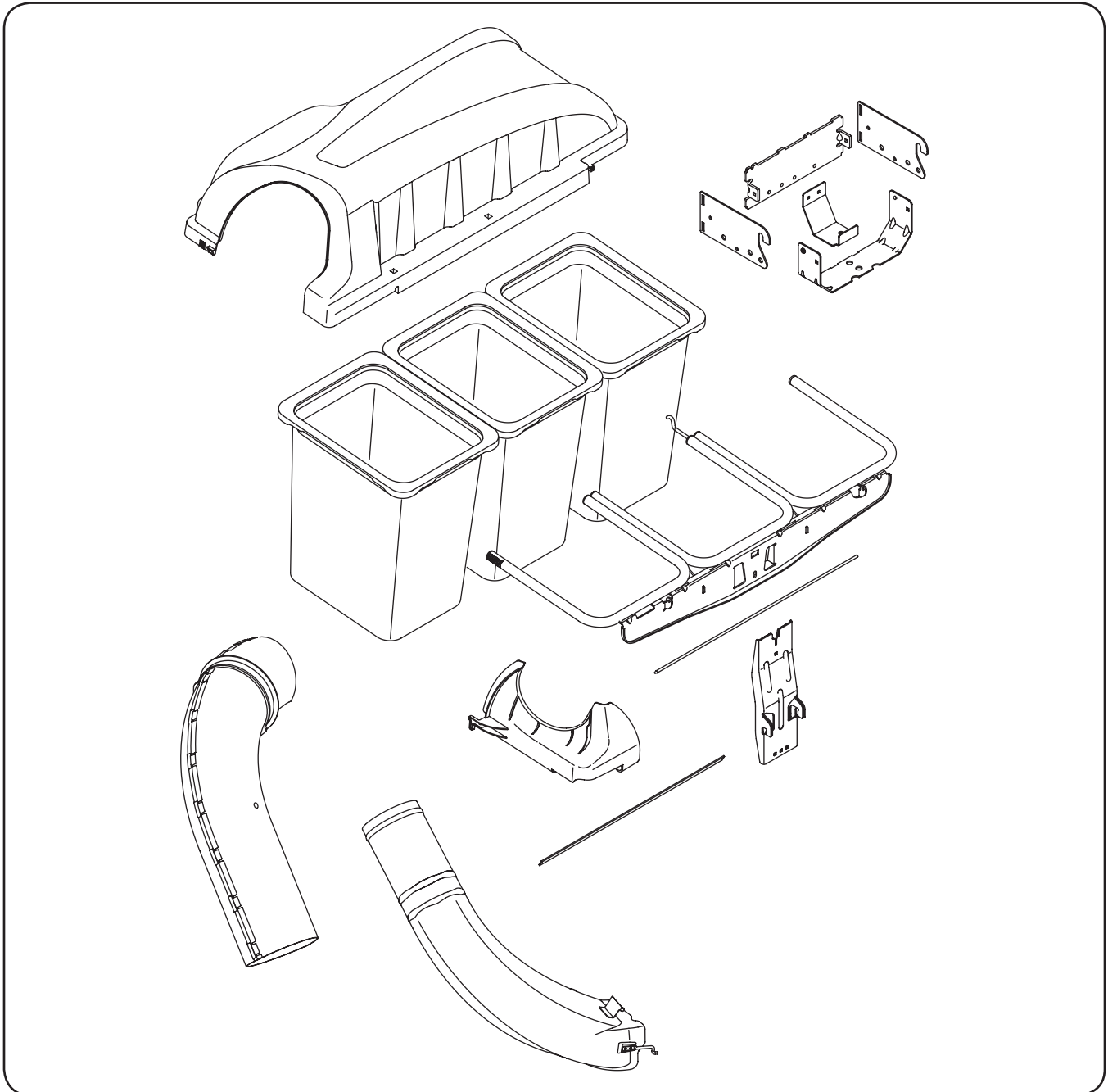
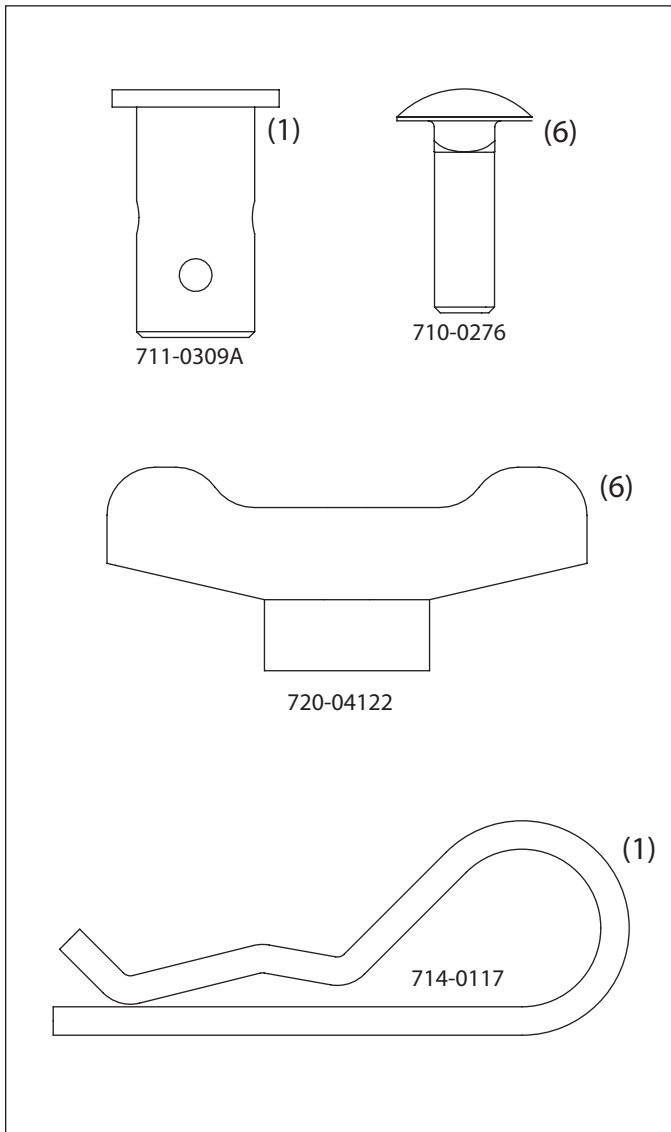


Figure 3-1

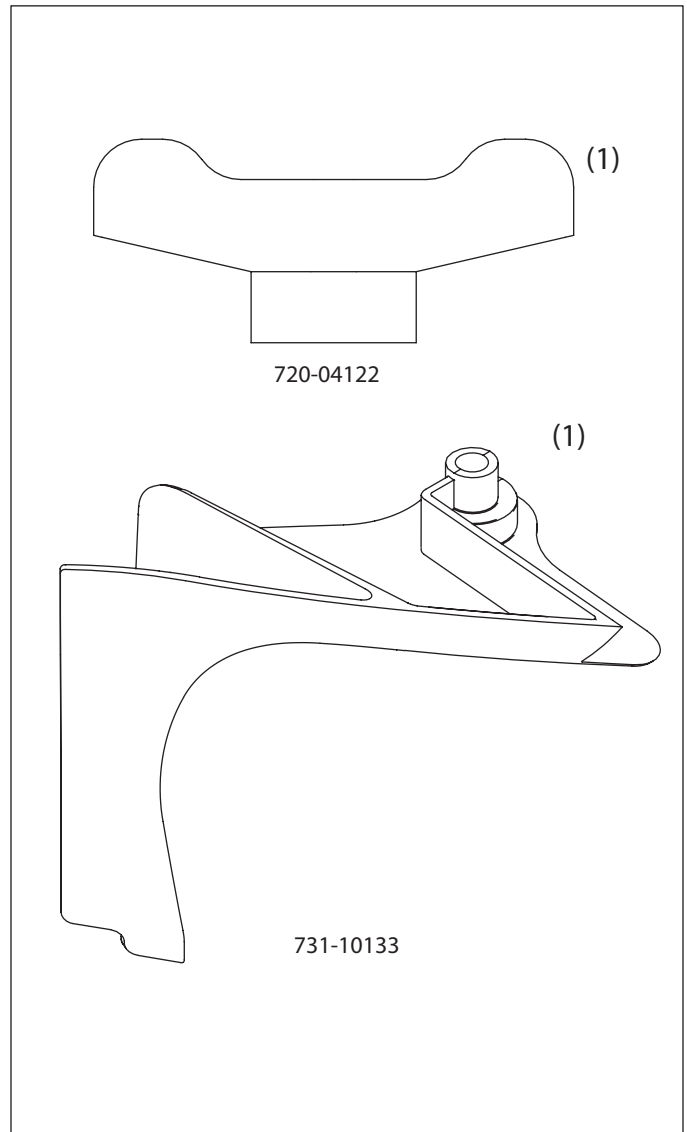
CONTENTS OF HARDWARE PACK

This grass collector kit is shipped with two loose hardware packs enclosed. Please check your hardware packs against the illustrations below. The quantities for each item is listed in parenthesis.

Hardware Pack 689-00328A



Hardware Pack 689-00341



Note: References to left, right, front and rear of the tractor are from the operator's position, unless otherwise stated.

- Before assembly, place the tractor on a firm, level surface, disengage the PTO, stop the tractor engine and set the parking brake.

Tools Required

- 1/2" wrench or socket

Assemble Mounting Brackets

To assemble the bagger mounting assembly, locate the mounting assembly pack and follow these steps:

1. Attach the two hitch side brackets to the universal rear attachment bracket using two carriage bolts (710-0276) and wing knobs (720-04122) from hardware pack 689-00328A.

Note: The hooks on the side brackets should point downwards and the tabs on the rear plate point upwards as shown in Figure 4-1.

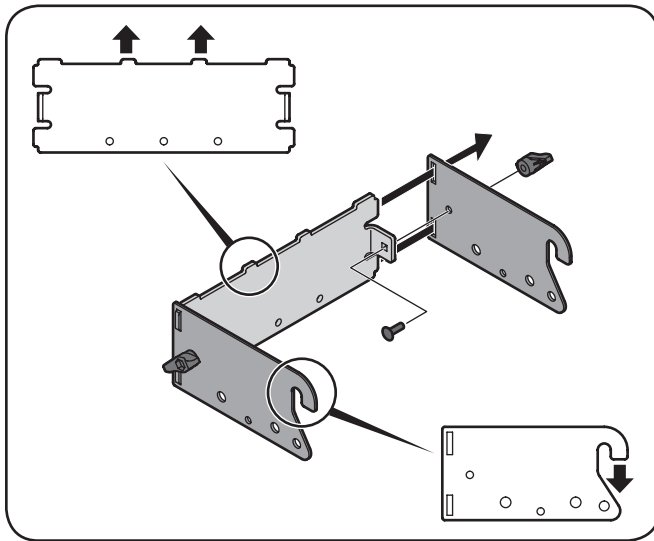


Figure 4-1

2. Flip over assembly and mount the hitch support bracket to the mounting assembly as shown in Figure 4-1.

Note: It might be easier during the mounting stage to leave this hardware only finger tight to facilitate lining up the hitch hole for the clevis pin. You will be instructed to tighten this hardware later in this manual.

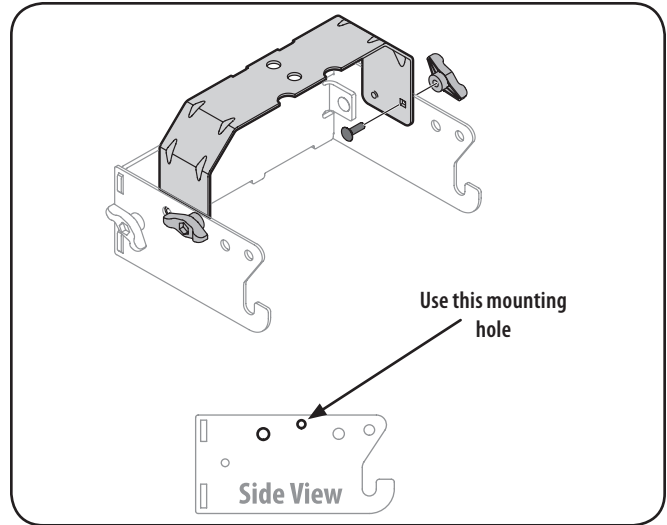


Figure 4-2

Mount Assembly on Tractor

Install mounting assembly onto the tractor as follows:

1. Place the hooked ends of the mounting assembly over the shoulder bolts, as in Figure 4-3, on the tractor and line up the hitch support bracket center hole with the hole on the tractor's hitch.

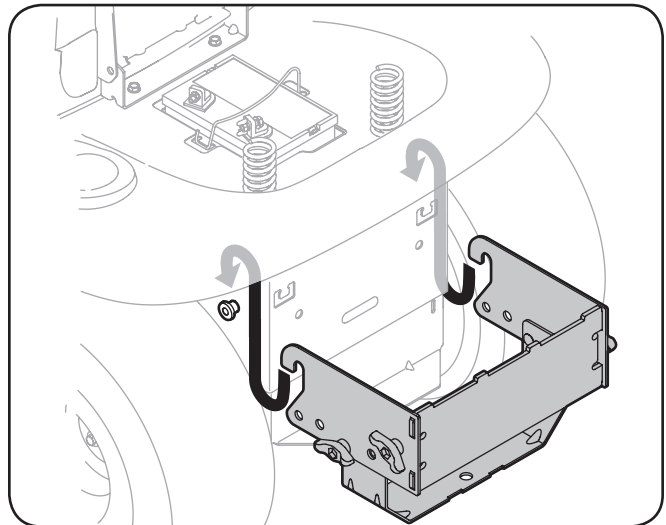


Figure 4-3

2. Install the bagger support bracket, included with the loose parts, into the mounting assembly as shown in Figure 4-4. Line the holes up as shown.

Note: The bagger support bracket is not intended for units with the diff lock transmission.

3. Install the clevis pin (711-0309A) from hardware pack 689-00328A into the tractor's hitch, the bagger support bracket, and the mounting assembly and secure with a hairpin clip (714-0117). See Figure 4-4.

Note: The clevis pin can be fed down through the hitch plate and secured underneath with the hairpin clip, or it may be easier to feed the clevis pin up through the hitch plate hole and secure with the hairpin clip on the topside. The latter method may be preferred since it can be easier to insert the hairpin clip. Either way will work, the decision should be based on operator preference. The clevis pin has two holes. It is recommended to use the hole closest to the head of the pin for a tighter connection.

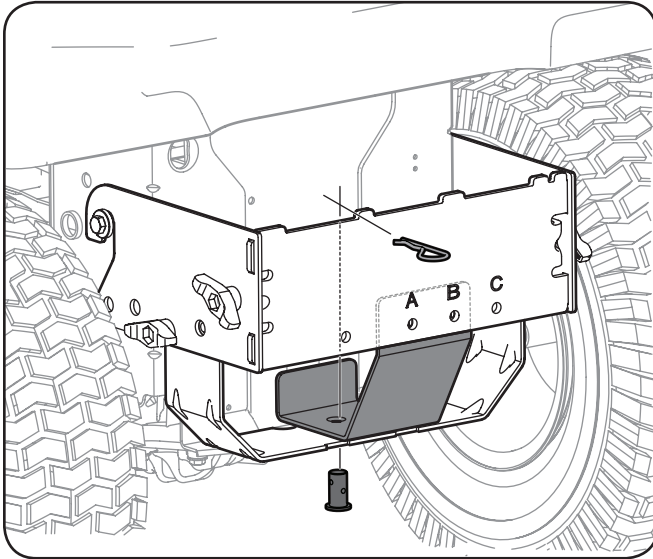


Figure 4-4

Note: If you decided to leave the hitch support only finger tight during the assembly process, tighten all of the hardware securely at this time.

4. Install the bagger upright mounting bracket onto the mounting assembly of the tractor by hooking it over the hitch plate, aligning the center hole on the upright bracket with the hole on the cross mount bracket which corresponds with the deck size of your tractor. See Figure 4-5.
 - Hole A recommended for 50" & 54" decks
5. Secure the upright mounting bracket to the mounting assembly using a (710-0276) carriage bolt and a (720-04122) wing knob from hardware pack 689-00328A. Refer to Figure 4-5.

Note: Some kits may contain cross-mount brackets with numerical identification over the holes instead of letters as shown. If this is the case, use the hole corresponding to the deck size the bagger is being installed on.

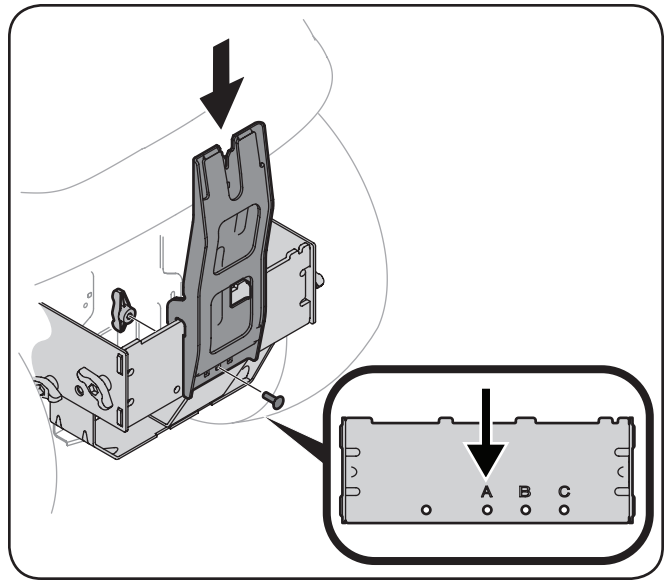


Figure 4-5

6. Using a 1/2" wrench or socket, secure the hanger assembly to the upright mounting assembly using another (710-0276) carriage bolt from hardware pack 689-00328A and flange lock nut packed in with the upright mounting bracket. See Figure 4-6.

Note: Upon completion of this bagging unit, there will be one(1) extra wing knob from Hardware pack 689-00328A and two(2) carriage bolts and one(1) flange lock nut, that was packed in with the upright mounting bracket.

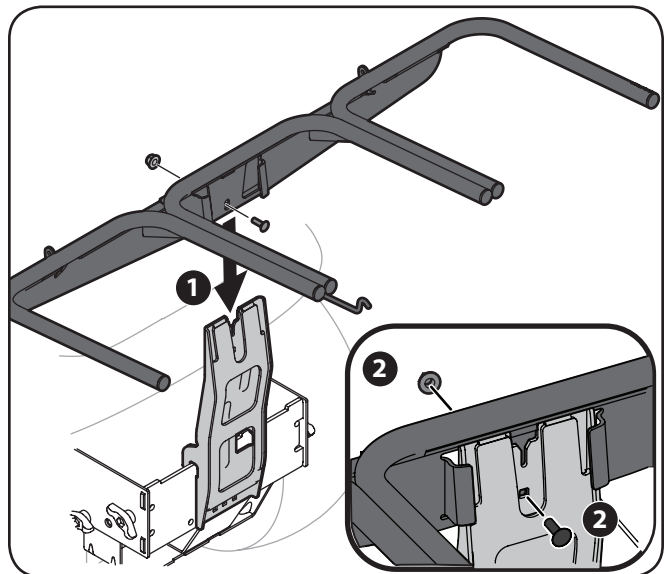


Figure 4-6

Assembling Remaining Bagger Components

Now that the mounting brackets are assembled and are in place on the tractor, follow these steps to assemble the remaining bagger components.

1. Snap the plastic upper chute support in place by first clipping the side portion onto the bagger support rail (1) with the edge of the snap feature **aligned with the red line**, as seen in the inset of Figure 4-7.

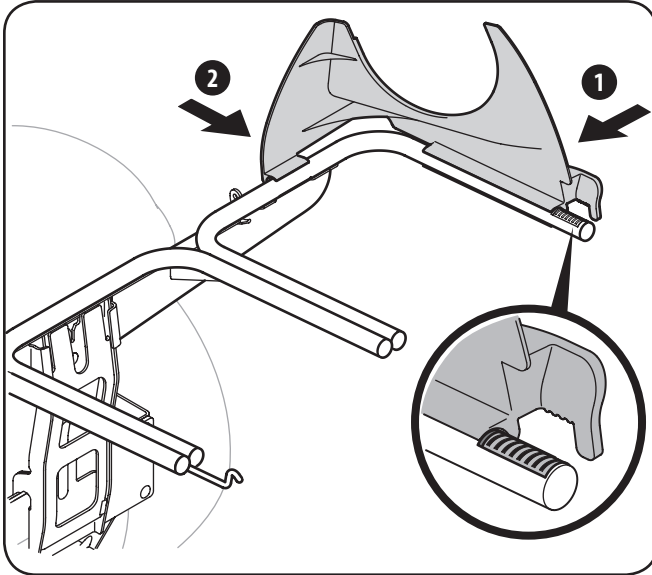


Figure 4-7

2. Snap the front side of the chute support to the rail (2), as shown in Figure 4-7.
3. If not previously installed by the factory, install the bagger screen into the bagger cover by first inserting the end closest to the center into the cutout mounting hole, as in Figure 4-8. Make sure to feed the screen under the lip, as in Figure 4-9.

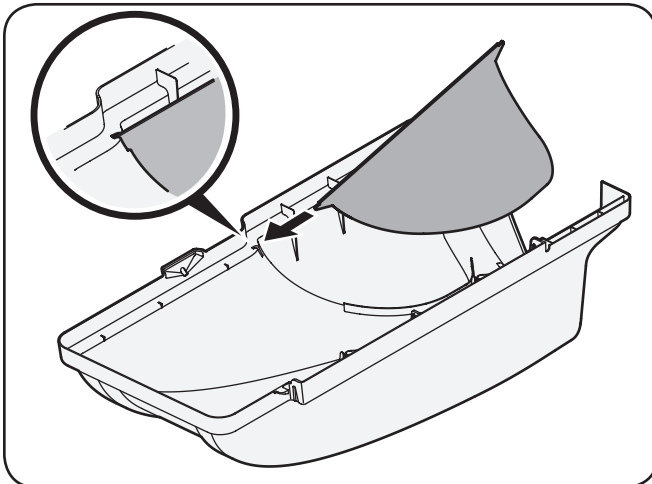


Figure 4-8

4. Clip in the other side by flexing the screen and pushing it down into the provided cutout hole. See Figure 4-9.

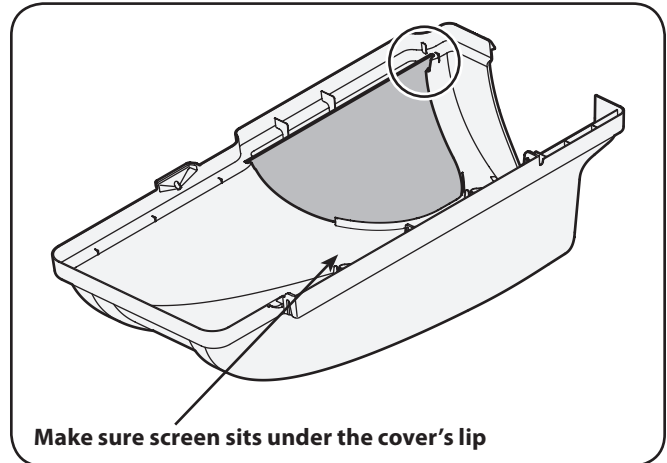


Figure 4-9

5. Install the bagger cover onto the bag support assembly, as seen in Figure 4-10. The plastic cover goes inside of the two mounting tabs.

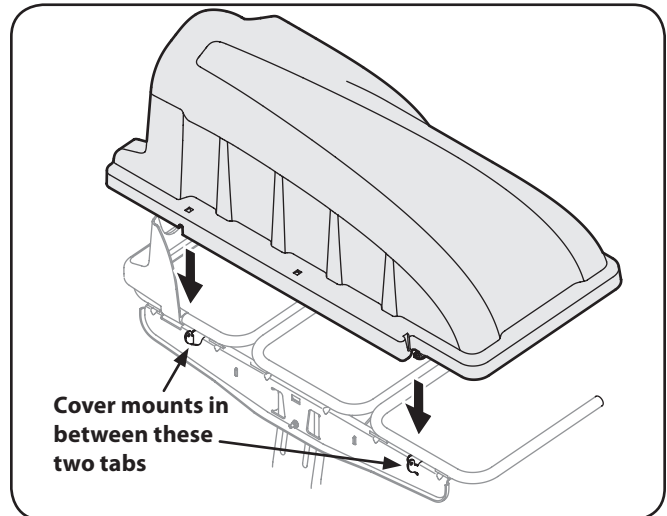


Figure 4-10

6. Slide the hinge pin into the hole located on the mounting tab, as in Figure 4-11. Use the cut-out window (See inset in Figure 4-11) to line up the hinge pin on the other side and push pin all the way in until it reaches the end-stop. At this point the pin clips into place and is secured by a tab in the bagger cover. See Figure 4-12.

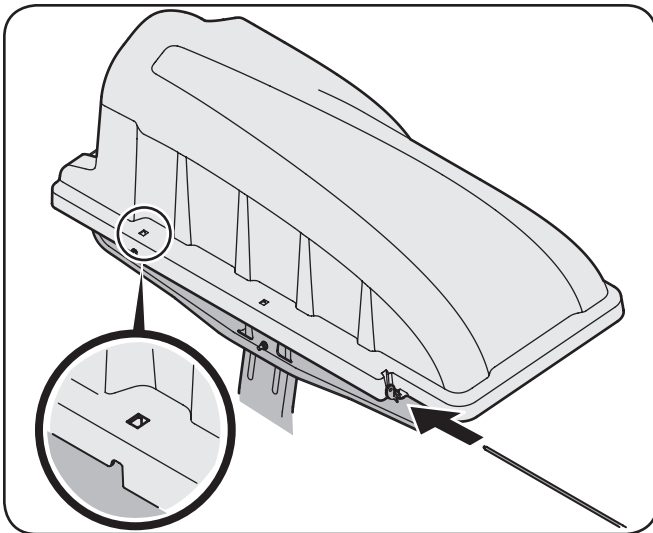


Figure 4-11

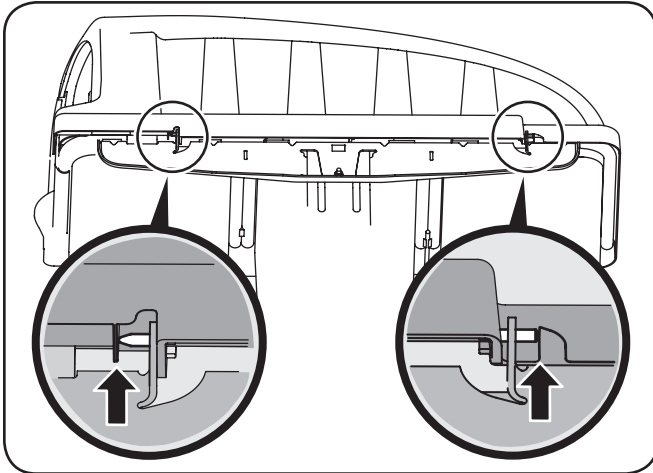


Figure 4-12

7. Open Hood by pushing in on the rear, right-side tab with your right hand, as seen in 1 of Figure 4-13, and lifting the cover with your left hand in the center rear of the bagger cover, 2.

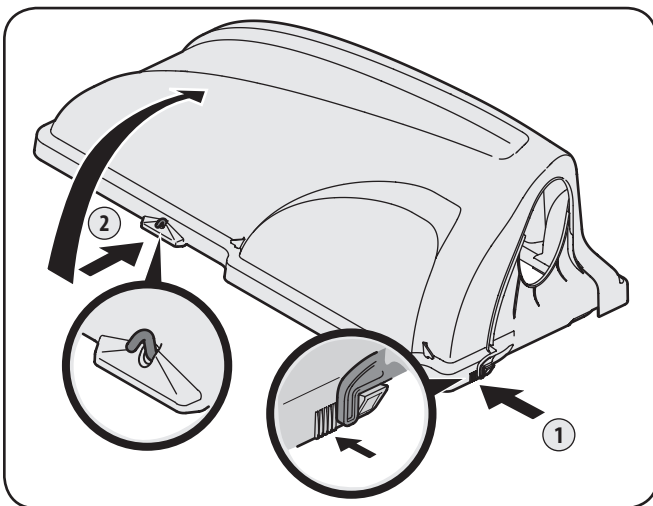


Figure 4-13

8. Install the bag assemblies, with the tight mesh panel facing the tractor, onto the bag support brackets by inserting the front edge in first, as shown in 1 of Figure 4-14, and setting the back edge down(2) until it fits into the assembly.

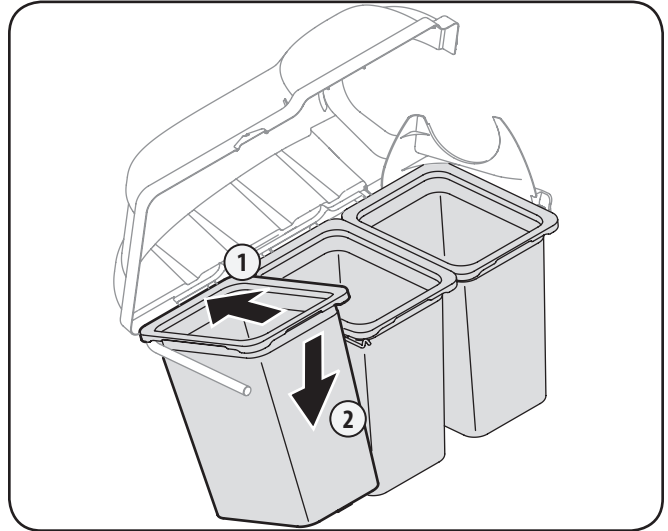


Figure 4-14

Assembling and Configuring the Discharge Chute

Before installing the discharge chute onto your tractor, a component must first be assembled onto the upper chute tube. The following instructions for assembling and configuring the discharge chute:

Note: Check the upper chute for a cardboard insert installed for shipping purposes. If the insert is present, remove it before continuing with Step 1.

1. Peel the backing off of the self-adhesive foam strip that has been included with your grass collector. Apply it to the upper chute, flush against the flange as shown in Figure 4-15.

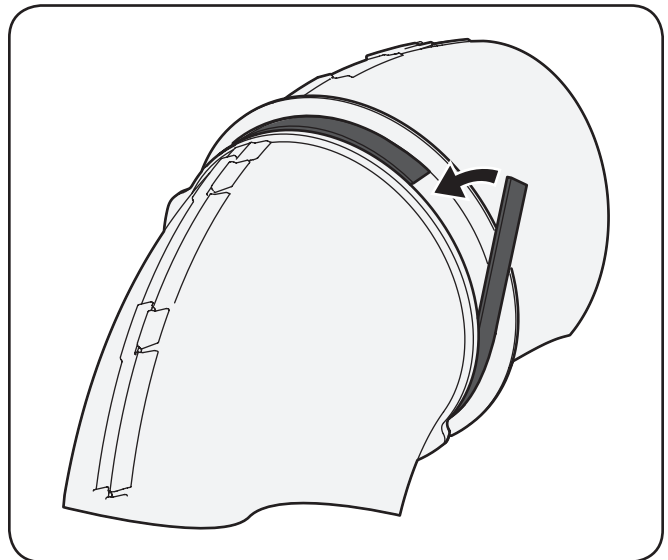


Figure 4-15

Installing the Discharge Chute

When installing the discharge chute, two different installation instructions exist. For the 54" Fabricated deck units, the discharge chute elbow mounts directly onto the cutting deck. For the 50" and 54" stamped decks, an adapter must first be installed. Be sure to follow the instructions that pertain to the unit you are installing this bagger on.

54" Fabricated Deck Units:

1. Raise the deck to its highest position.
2. Remove the deck pin rubber protective cap, 1 in Figure 4-16.
3. Raise the chute deflector (2 in Figure 4-16) on the deck and hold it while you position the discharge chute over the chute opening.

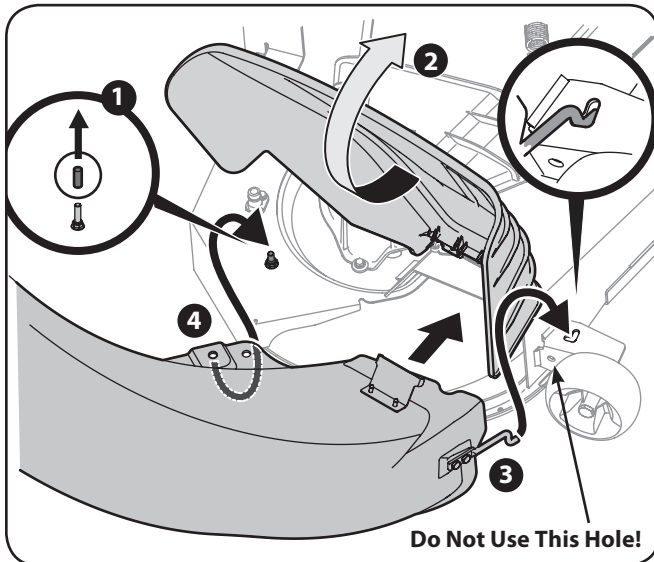


Figure 4-16

4. Insert the end of the discharge chute elbow(3) into the hole provided in the deck wheel mount as shown in the inset of Figure 4-16.
5. Pivot the discharge chute rearward until the hole in the discharge chute elbow aligns with the pin on the deck. Move the discharge elbow down onto that pin as shown in 4 of Figure 4-16.

6. Secure the discharge chute elbow to the cutting deck using a (720-04122) wing knob included in Hardware Pack 689-00341. Refer to Figure 4-17.

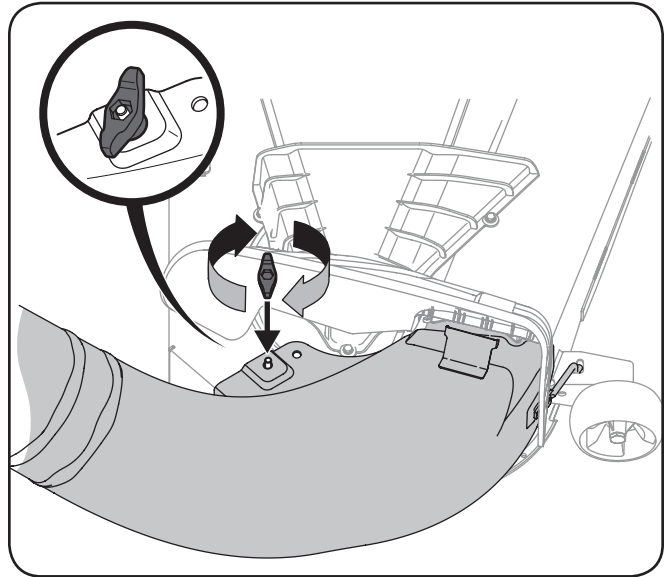


Figure 4-17

On 50" and 54" Stamped Decks:

1. Raise the deck to its highest position.
2. Remove the deck pin rubber protective cap, 1 in Figure 4-18.
3. Raise the chute deflector (2 in) on the deck and hold it while you install the (731-10133) chute adapter(3), included in hardware pack 689-00341, onto the deck as shown in Figure 4-18.

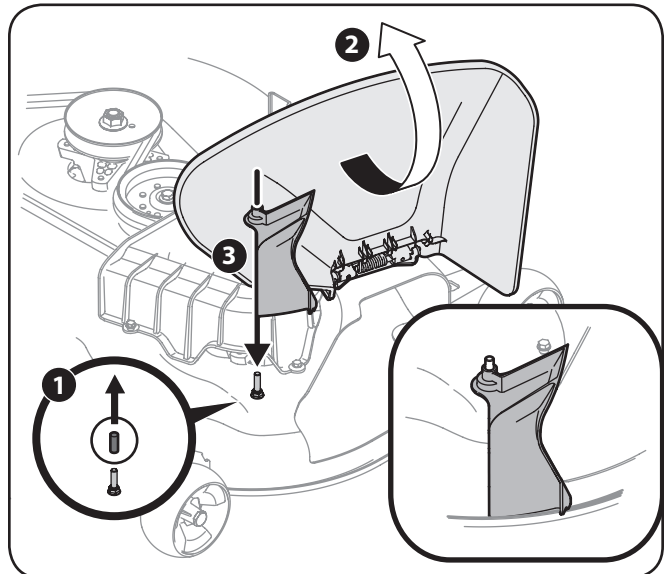


Figure 4-18

4. Insert the end of the discharge chute elbow (1) into the hole provided in the deck wheel mount as shown in the inset of Figure 4-19.

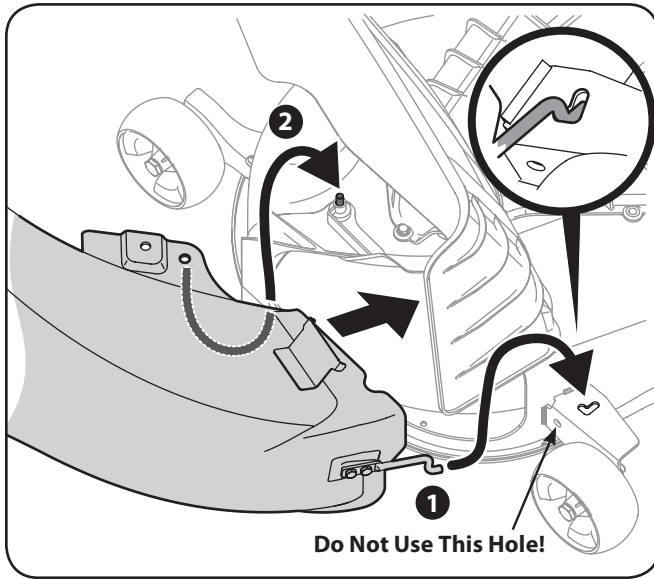


Figure 4-19

5. Pivot the discharge chute rearward until the hole in the discharge chute elbow aligns with the pin on the deck adapter. Move the discharge elbow down onto that pin as shown in 2 of Figure 4-19.
6. Secure the discharge chute elbow to the cutting deck using a (720-04122) wing knob included in hardware pack 689-00341. Refer to Figure 4-20.

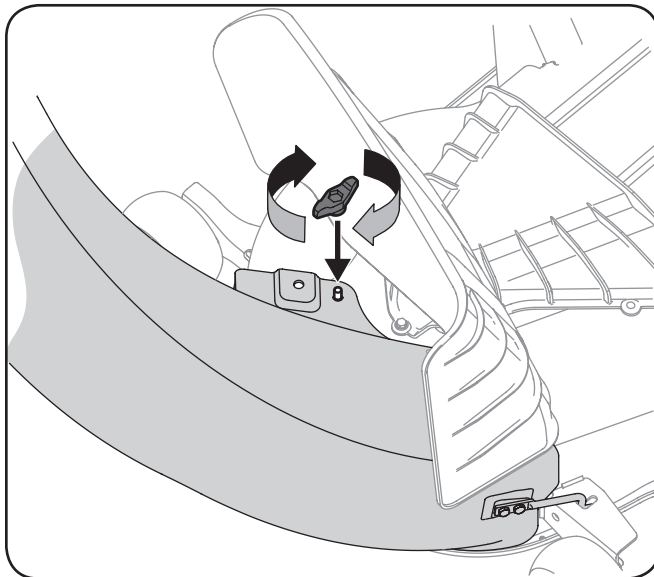


Figure 4-20

IMPORTANT: Be certain that the bottom of the discharge chute is located inside of the lip of the deck opening, as shown in Figure 4-21.

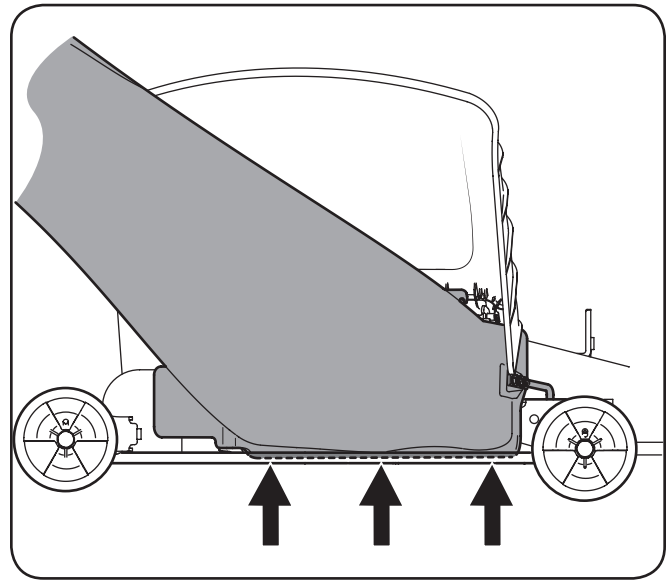


Figure 4-21

7. With the bagger cover open, insert the upper chute tube into the discharge chute then pivot the upper chute tube into position so that the chute rests in the upper chute support. See Figure 4-22.

Note: Make sure to align the upper chute with the ridges on the upper chute support.

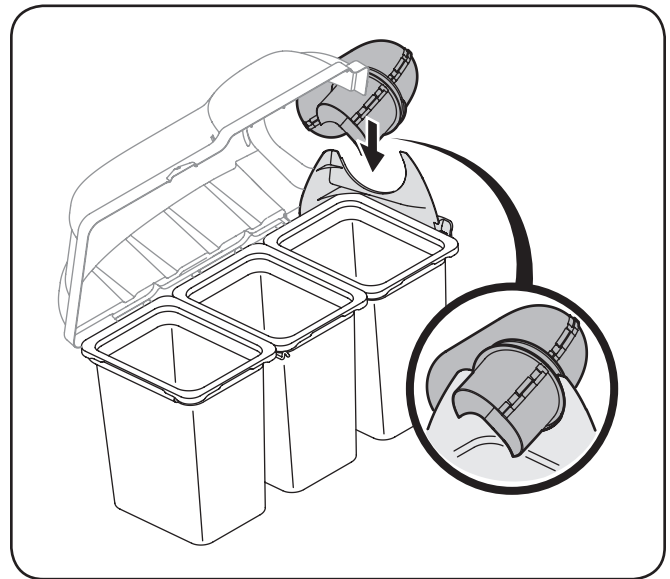


Figure 4-22

8. Close the grass catcher cover.

Bagger Usage

NOTE: When all of the grass bags are full, place the tractor on a firm, level surface, disengage the PTO, turn the tractor engine off and set the parking brake.

1. Pivot the seat forward and up.
2. Lift up grass bag cover by pushing in on the rear, right-side tab with your right hand, as seen in 1 of Figure 5-1, and lifting the cover with your left hand in the center rear of the bagger cover, 2. Do not remove the chute tube assembly from the tractor.

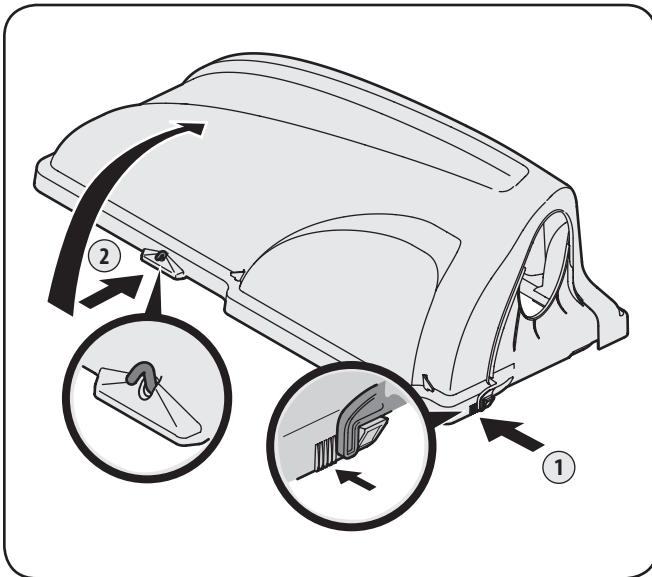


Figure 5-1

3. Remove the grass bags, as shown in Figure 5-2, by lifting each bag up (1) and moving the bags away from the bag support assembly (2).

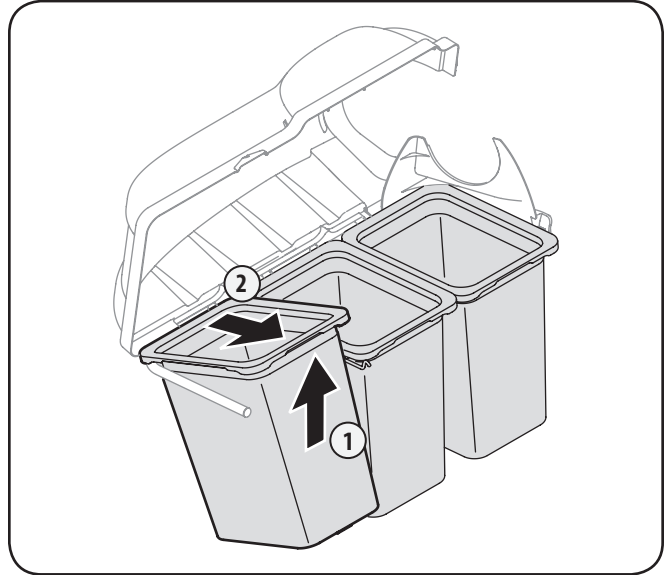
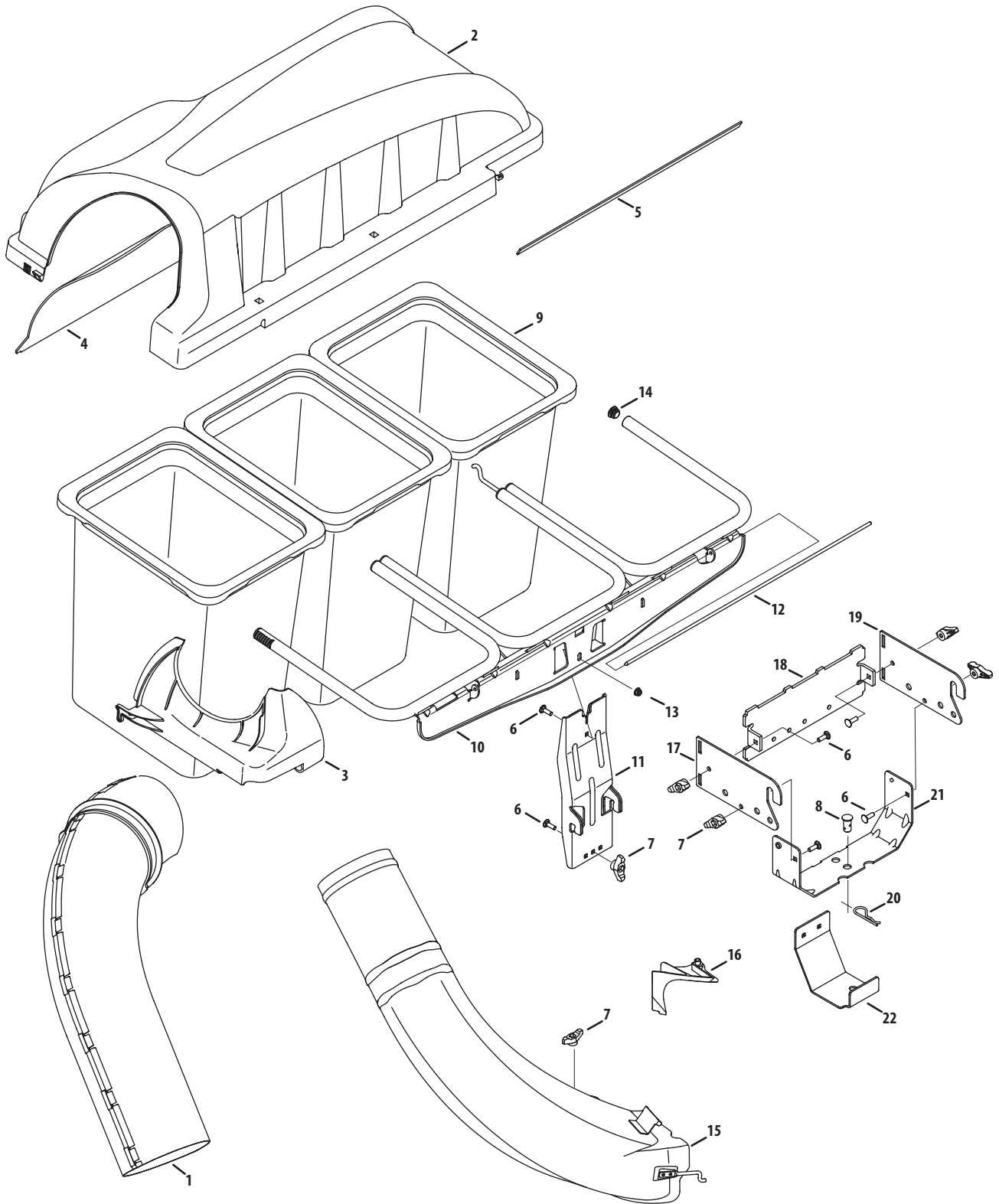


Figure 5-2

4. Empty the grass clippings at a proper disposal sight, use the handle at the bottom of each grass bag. Holding the bag firmly, empty the contents
5. Replace the grass bags in the reverse order and in the same orientation in which they were removed, close lid, pivot down the seat, restart your tractor and resume cutting your grass.

This page intentionally left blank.



Ref.	Part Number	Description
1.	931-04291	Upper Chute Assembly
2.	631-04298P	Triple Bagger Cover Assembly
3.	731-06497	Upper Chute Support
4.	731-06504	Bagger Cover Screen
5.	721-04388	Adhesive Foam Strip
6.	710-0276	Carriage Screw, 5/16-18 x 1.00"
7.	720-04122	Wing Knob, 5/16-18
8.	711-0309A	Clevis Pin, .62" Dia.
9.	964-04096A	Grass-bag Assembly
10.	683-04498A-0637	Triple Bag Support Assembly
11.	683-04519B-0637	Vertical Support Bracket
12.	711-05079	Cover Hinge Pin
13.	712-04063	Flange Lock Nut, 5/16-18
14.	735-0246A	End Plug
15.	631-05103	Discharge Chute Elbow, 50/54" Deck
16.	731-10133	Chute Adapter, 50-54" Decks
17.	N/A*	Hitch Bracket, RH
18.	N/A*	Hitch Plate
19.	N/A*	Hitch Bracket, LH
20.	711-0309A	Clevis Pin, .62 Dia.
21.	783-08129-0637	Universal Bracket Support
22.	783-08856	Bagger Support Bracket

** Order 689-00304A, includes all three brackets.*

CUB CADET LLC

MANUFACTURER'S LIMITED WARRANTY

FOR SEPARATELY SOLD ATTACHMENTS AND ACCESSORIES

IMPORTANT: To obtain warranty coverage owner may be required to present an original proof of purchase and applicable maintenance records to the servicing dealer. Please see the operator's manual for information on required maintenance and service intervals.

The limited warranty set forth below is given by Cub Cadet LLC with respect to new merchandise purchased or leased and used in the United States and/or its territories and possessions, and by MTD Products Limited with respect to new merchandise purchased or leased and used in Canada and/or its territories and possessions (either entity respectively, "Cub Cadet").

Cub Cadet warrants this product (excluding its *Normal Wear Parts*, as described below) against defects in material and workmanship for a period of two (2) years commencing on the date of original retail purchase or lease and will, at its option, repair or replace, free of charge, any part found to be defective in materials or workmanship.

Normal Wear Parts are warranted to be free from defects in material and workmanship for a period of thirty (30) days from the date of original purchase or lease. Normal wear parts include, but are not limited to items such as: belts, blades, blade adapters, grass bags, rider deck wheels, seats, and tires.

This limited warranty shall only apply if this product has been operated and maintained in accordance with the Operator's Manual furnished with the product, and has not been subject to misuse, abuse, neglect, accident, improper maintenance, alteration, vandalism, theft, fire, water, or damage because of other peril or natural disaster. Damage resulting from the installation or use of any part, accessory or attachment not approved by Cub Cadet for use with the product(s) covered by this manual will void your warranty as to any resulting damage. In addition, Cub Cadet may deny warranty coverage if the hour meter, or any part thereof, is altered, modified, disconnected or otherwise tampered with.

HOW TO OBTAIN SERVICE: Warranty service is available, WITH PROOF OF PURCHASE AND APPLICABLE MAINTENANCE RECORDS, through your local authorized service dealer. To locate the dealer in your area:

In the U.S.A.

Check your Yellow Pages, or contact Cub Cadet LLC at P.O. Box 361131, Cleveland, Ohio 44136-0019, call 1-877-282- 8684 or log on to our website at www.cubcadet.com.

In Canada

Contact MTD Products Limited, Kitchener, ON N2G 4J1, call 1-800-668-1238 or log on to our website at www.mtdcanada.com.

Without limiting the foregoing, this limited warranty does not provide coverage in the following cases:

- a. Routine maintenance items such as lubricants, filters, blade sharpening, tune-ups, brake adjustments, clutch adjustments, deck adjustments, and normal deterioration of the exterior finish due to use or exposure.
- b. Service completed by someone other than an authorized service dealer.
- c. Cub Cadet does not extend any warranty for products sold or exported outside of the United States and/or Canada, and their respective possessions and territories, except those sold through Cub Cadet's authorized channels of export distribution.
- d. Replacement parts and/or accessories that are not genuine Cub Cadet parts.
- e. Transportation charges and service calls.
- f. Commercial or Institutional Use.

There are no implied warranties, including without limitation any implied warranty of merchantability or fitness for a particular purpose. No warranties shall apply after the applicable period of express written warranty above. No other express warranties beyond those mentioned above, given by any person or entity, including a dealer or retailer, with respect to any product, shall bind Cub Cadet. The exclusive remedy is repair or replacement of the product as set forth above.

The terms of this warranty provide the sole and exclusive remedy arising from the sale and/or lease of the products covered hereby. Cub Cadet shall not be liable for any incidental or consequential loss or damage including, without limitation, expenses incurred for substitute or replacement lawn care services or for rental expenses to temporarily replace a warranted product.

Some jurisdictions do not allow the exclusion or limitation of incidental or consequential damages, or limitations on how long an implied warranty lasts, so the above exclusions or limitations may not apply to you.

In no event shall recovery of any kind be greater than the amount of the purchase price of the product sold. **Alteration of safety features of the product shall void this warranty.** You assume the risk and liability for loss, damage, or injury to you and your property and/or to others and their property arising out of the misuse or inability to use the product.

This limited warranty shall not extend to anyone other than the original purchaser or to the person for whom it was purchased as a gift.

HOW LOCAL LAWS RELATE TO THIS WARRANTY: This limited warranty gives you specific legal rights, and you may also have other rights that vary in different jurisdictions.

Cub Cadet LLC, P.O. BOX 361131 CLEVELAND, OHIO 44136-0019, Phone: 1-877-282-8684
MTD Products Limited, Kitchener, ON N2G 4J1, Phone: 1-800-668-1238