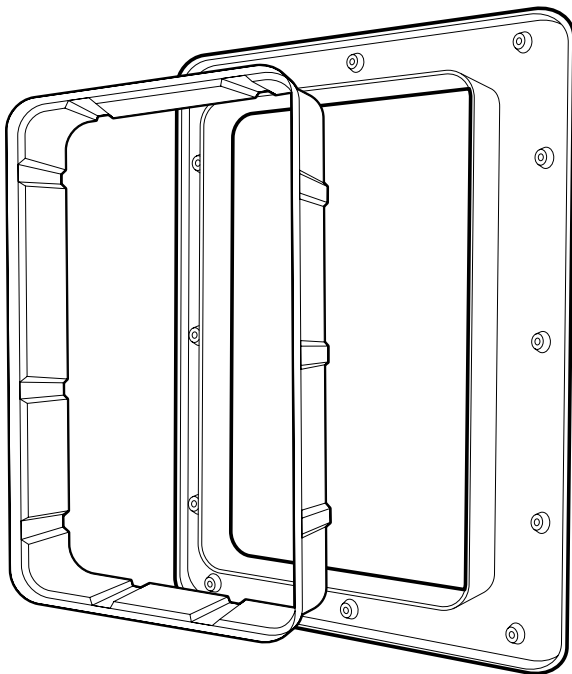


PetSafe® SmartDoor™ Wall Entry Conversion Kit - Large Pet Door Installation Guide

Please read this entire guide before beginning



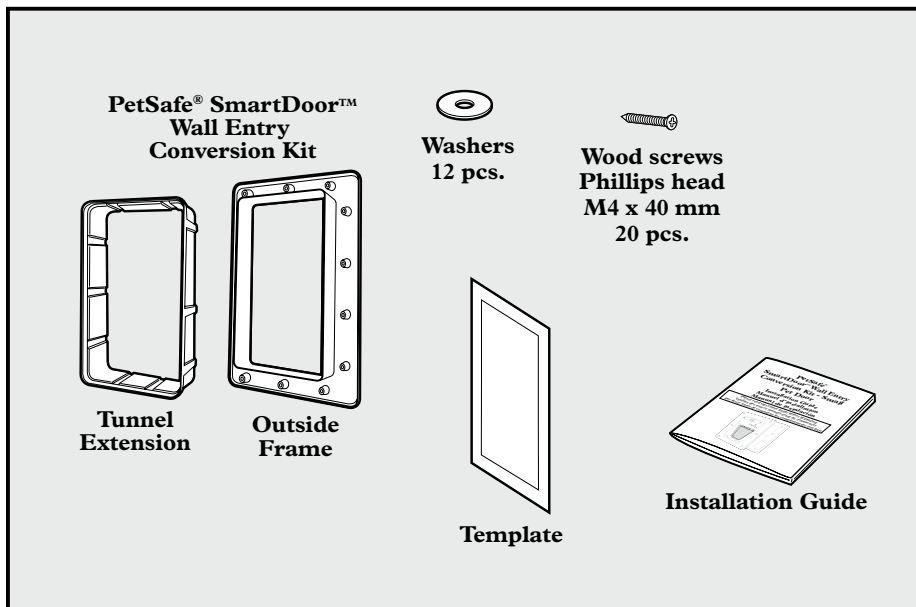
Thank you for choosing PetSafe®. Our mission is to ensure your pet's safety by providing you the tools and techniques to successfully train your pet. If you have any questions, please contact the Customer Care Center at 1-800-732-2677 or visit our website at www.petsafe.net.

To get the most protection out of your limited warranty, please register your product within 90 days at www.petsafe.net. By registering, you will enjoy the product's full warranty and should you ever need to call the Customer Care Center, we will be able to help you faster. Additionally, you will not have to save your product receipt as registering serves as proof of purchase. Most importantly, PetSafe® will never give or sell your valuable information to anyone.

Table of Contents

Components	3
Other Items You Will Need.....	3
Measure and Cut Wall Access	4
Install Supports.....	6
Attach the SmartDoor™ to the Extension Tunnel	7
Install the Assemblies into the Wall.....	7
Install Batteries and Begin Training.....	8
Additional Parts Available.....	8
Product Warranty	9

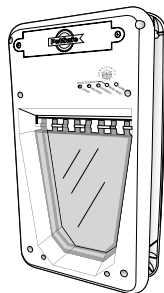
Components



Other Items You Will Need

- Stud Finder
- Framing Square
- Level
- Phillips Screwdriver
- Drill with $\frac{3}{16}$ " and $\frac{1}{2}$ " bits
- Jig Saw
- Tape
- Pencil
- Lengths of 2" x 4" or 2" x 6"
- Decking screws

- PetSafe® Electronic SmartDoor™ Large (purchased separately)



Important: Product intended for use in traditional framing and drywall construction. For brick installation, or other thick wall construction, you may need additional extension pieces, available from PetSafe®.

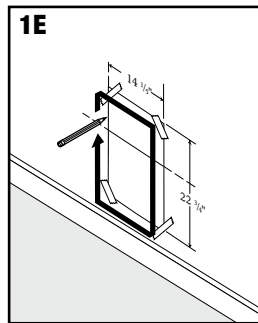
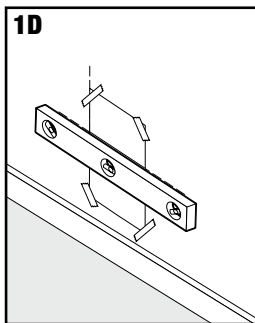
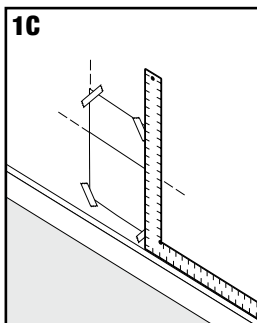
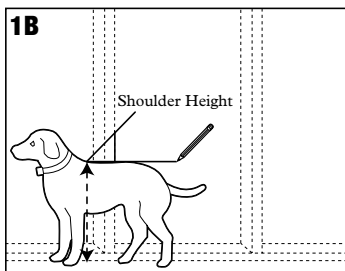
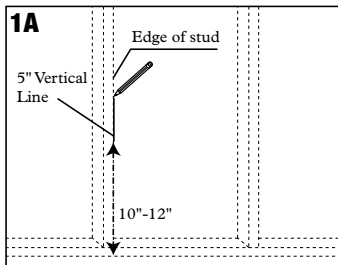
Always Remember

- Safety First
- Check Twice, Cut Once

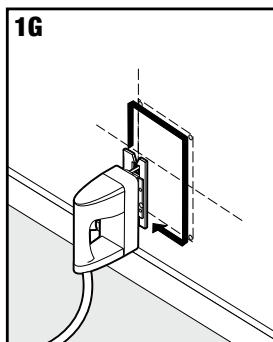
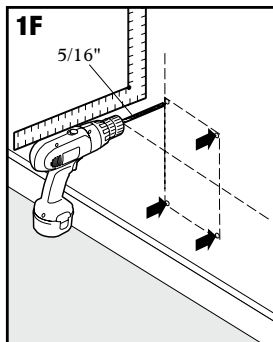
Step 1 Measure and Cut Wall Access

1

1. Locate the site for your SmartDoor™ Wall Entry installation and verify accessibility for your pet both inside and outside. *Note: Check both indoors and outdoors for electrical wiring or pipes in the wall area in which you wish to install the Pet Door. If necessary, cut a small hole in the wall to verify the stud location and that no wiring or plumbing exists.*
2. Locate the edge of one stud in the proposed area with a stud finder. Using a pencil, draw a 5" vertical line on the edge of the stud about 10" to 12" above the floor (1A).
3. Mark the shoulder height of your pet on the vertical line. Draw a horizontal line through your mark (1B).
4. Cut template to size (14 1/2" x 22 3/4") and place against the wall aligning the shoulder height line on the template with shoulder height line on the wall. Align the edge of the template to the 5" vertical line. Make sure your template is placed on the proper edge of the stud, not over the stud (1C, 1D).
5. Carefully trace the template with a pencil (1E). Remove the template from the wall.



6. Take a moment to review the hole location to ensure that the template is level and that this is the best possible location for the Pet Door. Keep in mind you are cutting a hole from the inside edge of one stud to the inside edge of its neighboring stud. In common framing, this space should measure about 14 1/2".
7. Drill the 4 corners all the way through the inside and outer walls. Use a 5/16" drill bit, and use the framing square to be sure you keep the drill level and perpendicular to the wall (**1F**).
8. Carefully cut the hole out using a jigsaw or other appropriate cutting device (**1G**).
Note: Cut on line.
9. Move outdoors and repeat using the previously drilled holes as your corners. Always check that your lines are plumb (vertical) and level (horizontal). Remember to measure frequently, so you only need to cut once.

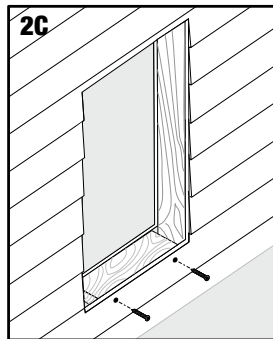
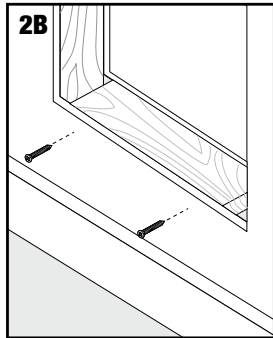
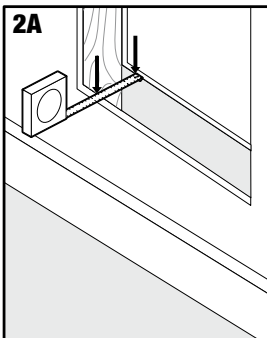


Step 2 Install Supports

2

1. Measure from the inside of outer wall to the inside of inner wall as shown to determine stud thickness (2A).
2. Cut a 2" x 4" or 2" x 6" piece to the width of the opening, making sure that the cut is square.
3. Remove any debris that may be inside the wall where the supports will be located.
4. Place support inside wall so that the top of support is flush with the bottom of cut-out.
5. Use 2 decking screws to fasten the inner side of each support as shown (2B). Check again to make sure that the supports are flush with bottom of cut-out (2B).
6. Move outdoors. Use 2 decking screws to fasten the outer edges of the supports (2C).

Note: If placing screws into vinyl siding it may be necessary to drill a hole through the siding slightly larger than the heads of the screws. This will allow the screws to tighten flush with plywood and not buckle the vinyl siding.



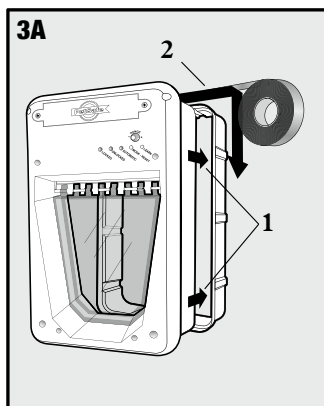
Step

3

Attach the SmartDoor™ to the Extension Tunnel

1. Insert the Electronic SmartDoor™ into the lip of the Tunnel Extension as shown (3A-1).
2. Tape the Tunnel Extension to the Electronic SmartDoor™ (3A-2).

Note: Rear Door Frame of SmartDoor™ will not be used in wall installation.

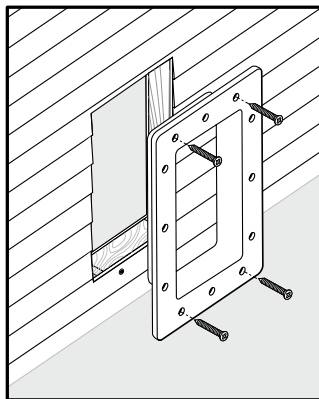


Step

4

Install the Assemblies into the Wall

1. From outside the home, insert the Outside Frame into the wall. Check for plumb (vertical) and level (horizontal) before installing any screws.
2. Have a helper hold the frame in place while you work indoors.
3. Insert the Electronic SmartDoor™ and Tunnel Extension assembly from inside the home. Check that the assembly is flush to the wall. Check for plumb and level before installing any screws.
4. Beginning indoors, install the 6 Phillips head wood screws through the SmartDoor™ into the wall, and into the 2" x 4" or 2" x 6" bracing installed earlier. Avoid overtightening the screws.
5. Moving outdoors, drill holes and install 4 Phillips head wood screws, one in each corner of the outside frame. These screws should pass through the frame, the wall, and fasten into the framing studs on either side of the framed tunnel. Avoid overtightening the screws. *Note: Wall construction may be different from that shown and therefore require the installer to improvise, using the appropriate tools and hardware.*
6. Install additional wood screws around the frame, securing it flush to the wall. Exterior wall materials will vary; please avoid overtightening these screws.
7. Use window caulking to fill in any seams and gaps in your installation.



Step 5 **Install Batteries and Begin Training**

Refer to the operating instructions that accompanied your Electronic SmartDoor™ purchase for detailed instructions on operating your door, and training your pet.

Additional Parts Available

Component	Part No
Wall Extension Tunnel, Large	CPA00-12021

Non-Transferrable Limited Warranty

WHAT IS COVERED: Radio Systems® Corporation d/b/a PetSafe® (hereinafter referred to as “PetSafe®”) warrants to the original retail consumer purchaser, and not any other purchaser or subsequent owner, that its PetSafe® electronic product, when subject to normal and proper residential use, will be free from defects in material or workmanship for the life of the product. When serviced by PetSafe® Customer Service, PetSafe® covers labor for the first year of ownership; after the first year, a service charge will apply for the repair or replacement of the product. The limited warranty is non-transferrable and shall automatically terminate if the original retail consumer purchaser resells the PetSafe® product or transfers the property on which the PetSafe® product is installed. **In the event of defect, these are your exclusive remedies.**

PROPER PRODUCT USE: This product is designed only for use with domesticated animals; do not use this product for any other purpose. However, the specific temperament of your animal may not work with this product. **We recommend that you do not use this product if your animal is aggressive.** If you are unsure whether this product is appropriate for your animal, please consult with your veterinarian or certified trainer before you use this product. Please see the instruction manual for additional important information.

WHAT IS NOT COVERED: This non-transferrable limited warranty does not provide protection against, and PetSafe® will have no liability under this non-transferrable limited warranty for any failure, defect or damage caused by events and situations beyond normal residential exposure conditions, including, but not limited to: commercial use, misuse, abuse, neglect, improper installation or installation not in accordance with PetSafe®’s instructions, use of non-PetSafe® accessories, impacts of foreign objects, acts of God, abnormal or improper use, improper storage, attempted repair or service by anyone other than PetSafe® Customer Service, accident, alteration, defects in or failure of the surface the PetSafe® product is installed in or upon, discoloration or other damage caused by pollution, sunlight, other environmental conditions, mold, dirt, mildew, or exposure to harmful chemicals and any other cause not involving manufacturing defects in the PetSafe® product. Furthermore, this non-transferrable limited warranty does not cover damage to or defects in the products caused by any animal.

Under no circumstances will PetSafe® be liable for any non-PetSafe® labor charges or any expenses whatsoever in connection with the removal, repair or installation of either the original or replacement component(s).

REGISTERING THE PRODUCT: Within thirty (30) days of purchase, please go to www.petsafe.net to register your purchase. You may be required to provide proof of purchase to obtain warranty coverage. Please keep this information in a safe place.

MAKING A WARRANTY CLAIM: To obtain warranty service, call the PetSafe® Customer Care Center at 1-800-732-2677 for assistance.

Pursuant to this non-transferrable limited warranty, PetSafe® will replace the part with a new or refurbished part. This non-transferrable limited warranty will then apply to either the new or refurbished part for the remainder of the original non-transferrable limited warranty period.

EXCLUSIONS: REPLACEMENT AS PROVIDED UNDER THIS NON-TRANSFERRABLE LIMITED WARRANTY IS THE EXCLUSIVE REMEDY OF THE CONSUMER. NEITHER LABOR TO REMOVE THE PART NOR LABOR TO INSTALL THE REFRUBISHED OR REPLACED PART IS COVERED.

THIS NON-TRANSFERRABLE LIMITED WARRANTY IS IN LIEU OF ALL OTHER EXPRESS WARRANTIES. PetSafe® EXPRESSLY DISCLAIMS AND EXCLUDES ALL OTHER WARRANTIES, EXPRESS OR IMPLIED, INCLUDING WITHOUT LIMITATION, THE WARRANTIES OF MERCHANTABILITY AND FITNESS FOR A PARTICULAR PURPOSE. PetSafe® ALSO DISCLAIMS AND EXCLUDES ALL LIABILITY FOR INCIDENTAL, CONSEQUENTIAL, PUNITIVE, DIRECT, INDIRECT, SPECIAL OR ANY OTHER DAMAGES ARISING OUT OF OR CONNECTED WITH THE PURCHASE, USE OR MISUSE OF THIS PRODUCT OR FOR THE BREACH OF ANY EXPRESS OR IMPLIED WARRANTIES OR BREACH OF CONTRACT OR OTHERWISE. PURCHASER ASSUMES ALL RISKS AND LIABILITIES FROM THE USE OR MISUSE OF THIS PRODUCT. PetSafe® DOES NOT AUTHORIZE ANY OTHER PERSON OR AGENT TO MAKE ANY OTHER EXPRESS OR IMPLIED WARRANTIES.

FURTHERMORE, PetSafe® WILL NOT BE LIABLE FOR ANY LOSS, DAMAGE OR INJURY RESULTING FROM DELAY IN DELIVERY OF REPLACEMENT PARTS OR FOR ANY FAILURE BY PetSafe® TO PERFORM COVERED REPAIR WORK DUE TO CIRCUMSTANCES BEYOND PetSafe®'s CONTROL.

GOVERNING LAW: This non-transferrable limited warranty shall be governed by the law of the State of Tennessee, U.S.A., and by the laws of the United States of America, excluding their conflicts of laws principles. Furthermore, the United Nations Convention on Contracts for the International Sale of Goods is hereby excluded in its entirety from application to this non-transferrable limited warranty. Jurisdiction and venue shall be exclusive to the courts of Knox County, Tennessee.

These warranties give you specific legal rights, and you may also have other rights that vary from state to state. Some states do not allow the exclusion or limitation of incidental or consequential damages, so the above limitation or exclusion may not apply to you.

Radio Systems Corporation
10427 PetSafe Way
Knoxville, TN 37932
+1 (800)732-2677
petsafe.com
CKP400-1103/2

©2019 Radio Systems Corporation