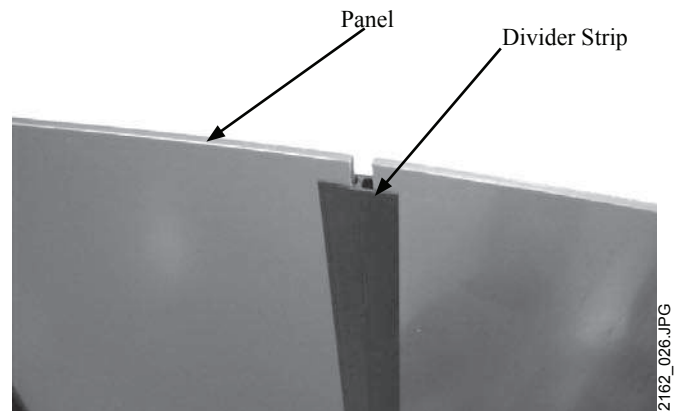


IMPORTANT

Carefully study exploded view and steps before assembly. Leave all hardware loose until instructed to tighten. When assembling, a flat surface will be helpful.

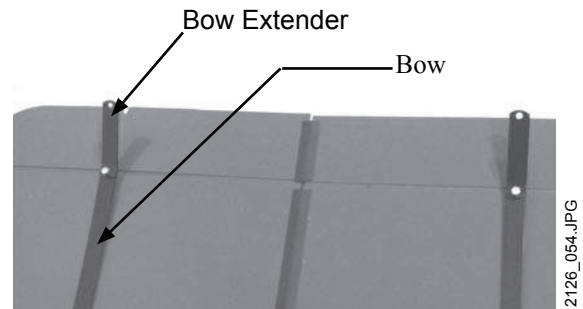
STEP 1

1. Starting from the edge of one top panel, slide divider strip on to panel.
2. Center divider strip on panel.
3. Slide other top panel into divider strip.



STEP 2

1. Attach two (2) bows to panels using four (4) 1/4 x 3/4 bolts and lock nuts.
2. On model XLR-52 attach four (4) bow extenders to panel and bow ends using four (4) 1/4 x 1 bolts and lock nuts.



STEP 3

1. Install edge channels to edge of panels.
2. Attach edge channels to bows or bow extenders using four (4) 1/4 x 3/4 bolts and lock nuts.



STEP 4

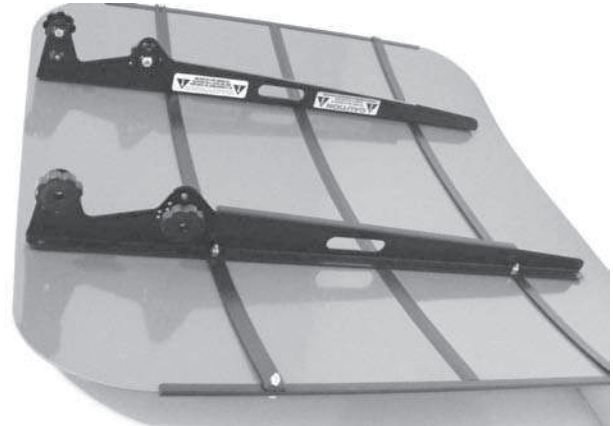
1. Install rubber bumpers to front and back of left and right struts.



2162_012.JPG

STEP 5

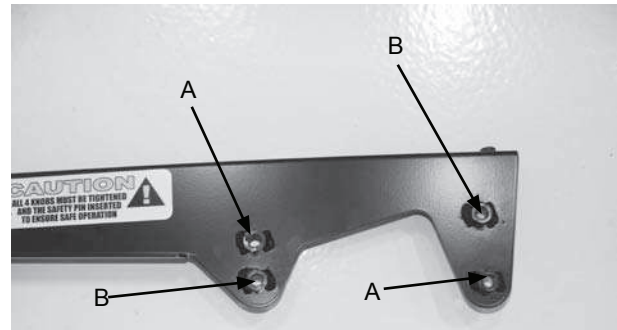
1. Remove nuts from bows and attach left and right struts with wide flange facing out.
2. Tighten all bolts.



2126_068.JPG

STEP 6

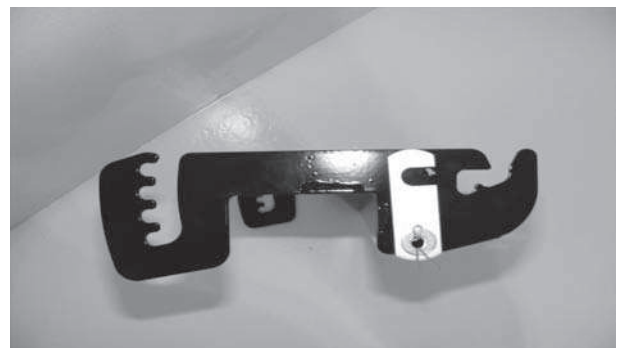
1. For straight up and rear leaning roll bars insert two (2) 3/8 x 1 bolts in holes (A) with head of bolt against weld nut.
2. For forward leaning roll bars use holes (B)
3. Repeat procedure for other strut and tighten bolts.



2126_016.JPG

STEP 7

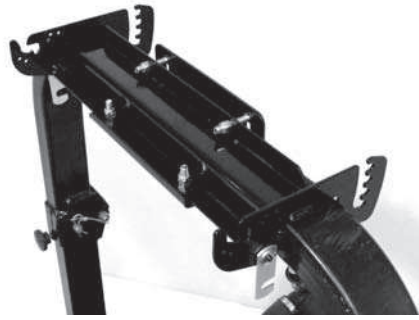
1. Install lock to pin on roll bar bracket using washer and cotter pin.
2. Spread cotter pin.
3. Repeat procedure for other side.



2126_030A.JPG

STEP 8

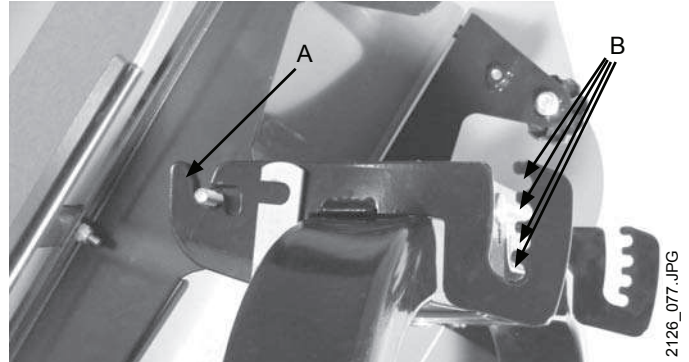
1. Lay roll bar bracket on top of roll bar with adjustment teeth towards rear.
2. Attach L-Clamp to roll bar bracket using two (2) 3/8 x 2 bolts and lock nuts on rear top and two (2) 3/8 x 1 1/4 bolts and lock nuts on front bottom.
3. Center bracket assembly on roll bar and tighten bolts.



2126_031.JPG

STEP 9

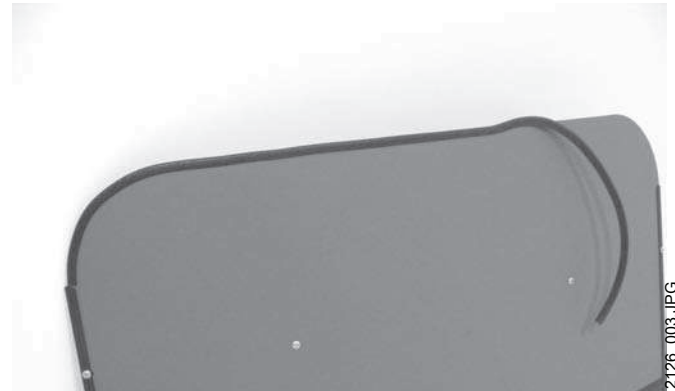
1. Mount assembled TuffTop to roll bar bracket by sliding front bolts into slots (A).
2. Lift up front of TuffTop and engage rear bolts into desired slots (B).
3. Slide lock forward over front bolts.
4. Attach four (4) clamp knobs to bolts and tighten.



2126_077.JPG

STEP 10

1. Apply edge molding to front and back panels.
2. Check and tighten all hardware periodically.



2126_003.JPG

WARNING

When transporting a TuffTop installed on a unit, it is recommended that it is in the down position. When wind and travel speeds combined exceeds 35 MPH. Remove TuffTop and transport safely. REMEMBER, if it looks like a wing it will fly.

NOTE:

Some rectangular ROPS (roll bars) are equipped with bolts on the top or the back that obstruct the installation of the TuffTop Mounting Bracket. Holes have been designed in the top of the mounting bracket to allow certain of these bolt heads to clear. In the event that such bolt heads obstruct the attachment of the mounting bracket or L-Clamp, it is usually possible to alleviate this problem with steel or plastic shims (not provided). In such an event, be sure the shims are made of weatherproof material, and that they are thicker than the bolt heads.