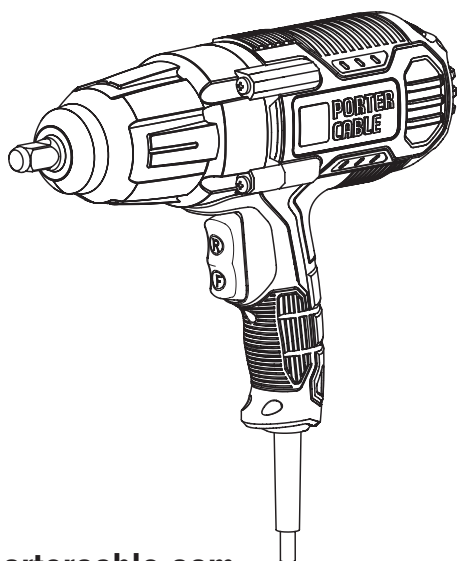


# PORTER CABLE®

1/2 inch (12.7mm) Impact Wrench with hog ring anvil

Clé à Chocs avec enclume anneau porc de 12.7mm (1/2 po)

llave de impacto con yunque de anillo del cerdo de 12.7mm (1/2 pul)



[www.portercable.com](http://www.portercable.com)

Thank you for choosing PORTER-CABLE! To register your new product, go to:  
[www.portercable.com/ServiceAndSupport/ProductRegistration.aspx](http://www.portercable.com/ServiceAndSupport/ProductRegistration.aspx)

Merci d'avoir choisi PORTER-CABLE! Consulter le site Web [www.portercable.com/ServiceAndSupport/ProductRegistration.aspx](http://www.portercable.com/ServiceAndSupport/ProductRegistration.aspx) pour enregistrer votre nouveau produit.

Gracias por elegir PORTER-CABLE usted! Para registrar su nuevo producto, visite: [www.portercable.com/ServiceAndSupport/ProductRegistration.aspx](http://www.portercable.com/ServiceAndSupport/ProductRegistration.aspx)

INSTRUCTIVO DE OPERACIÓN, CENTROS DE SERVICIO Y PÓLIZA DE GARANTÍA.

 **ADVERTENCIA:** LEÁSE ESTE INSTRUCTIVO ANTES DE USAR EL PRODUCTO.

Instruction manual  
Manuel d'instructions  
Manual de instrucciones

CATALOG NUMBER  
N° DE CATALOGUE  
CATÁLOGO N°  
**PCE211**

## Definitions: Safety Alert Symbols and Words

This instruction manual uses the following safety alert symbols and words to alert you to hazardous situations and your risks of personal injury or property damage.

**⚠ DANGER:** Indicates an imminently hazardous situation which, if not avoided, will result in death or serious injury.

**⚠ WARNING:** Indicates a potentially hazardous situation which, if not avoided, could result in death or serious injury.

**⚠ CAUTION:** Indicates a potentially hazardous situation which, if not avoided, may result in minor or moderate injury.

**NOTICE:** Used without the safety alert symbol indicates potentially hazardous situation which, if not avoided, may result in property damage.

## General Power Tool Safety Warnings

**⚠ WARNING:** Read all safety warnings, instructions, illustration and specifications provided with this power tool. Failure to follow all instructions listed below may result in electric shock, fire and/or serious injury.

### SAVE ALL WARNINGS AND INSTRUCTIONS FOR FUTURE REFERENCE

The term "power tool" in the warnings refers to your mains-operated (corded) power tool or battery-operated (cordless) power tool.

#### 1) WORK AREA SAFETY

- a) **Keep work area clean and well lit.**  
*Cluttered or dark areas invite accidents.*
- b) **Do not operate power tools in explosive atmospheres, such as in the presence of flammable liquids, gases or dust.**  
*Power tools create sparks which may ignite the dust or fumes.*
- c) **Keep children and bystanders away while operating a power tool.**  
*Distractions can cause you to lose control.*

#### 2) ELECTRICAL SAFETY

- a) **Power tool plugs must match the outlet. Never modify the plug in any way. Do not use any adapter plugs with earthed (grounded) power tools.**  
*Unmodified plugs and matching outlets will reduce risk of electric shock.*
- b) **Avoid body contact with earthed or grounded surfaces such as pipes, radiators, ranges and refrigerators.**  
*There is an increased risk of electric shock if your body is earthed or grounded.*
- c) **Do not expose power tools to rain or wet conditions.**  
*Water entering a power tool will increase the risk of electric shock.*
- d) **Do not abuse the cord. Never use the cord for carrying, pulling or unplugging the power tool. Keep cord away from heat, oil, sharp edges or moving parts.**  
*Damaged or entangled cords increase the risk of electric shock.*
- e) **When operating a power tool outdoors, use an extension cord suitable for outdoor use.**  
*Use of a*

*cord suitable for outdoor use reduces the risk of electric shock.*

- f) **If operating a power tool in a damp location is unavoidable, use a ground fault circuit interrupter (GFCI) protected supply.**  
*Use of a GFCI reduces the risk of electric shock.*

#### 3) PERSONAL SAFETY

- a) **Stay alert, watch what you are doing and use common sense when operating a power tool. Do not use a power tool while you are tired or under the influence of drugs, alcohol or medication.**  
*A moment of inattention while operating power tools may result in serious personal injury.*
- b) **Use personal protective equipment. Always wear eye protection.**  
*Protective equipment such as dust mask, nonskid safety shoes, hard hat, or hearing protection used for appropriate conditions will reduce personal injuries.*
- c) **Prevent unintentional starting. Ensure the switch is in the off position before connecting to power source and/ or battery pack, picking up or carrying the tool.**  
*Carrying power tools with your finger on the switch or energizing power tools that have the switch on invites accidents.*
- d) **Remove any adjusting key or wrench before turning the power tool on.**  
*A wrench or a key left attached to a rotating part of the power tool may result in personal injury.*
- e) **Do not overreach. Keep proper footing and balance at all times.**  
*This enables better control of the power tool in unexpected situations.*
- f) **Dress properly. Do not wear loose clothing or jewelry. Keep your hair, clothing and gloves away from moving parts.**  
*Loose clothes, jewelry or long hair can be caught in moving parts.*
- g) **If devices are provided for the**

connection of dust extraction and collection facilities, ensure these are connected and properly used.

*Use of dust collection can reduce dust-related hazards.*

- h) Do not let familiarity gained from frequent use of tools allow you to become complacent and ignore tool safety principles. *A careless action can cause severe injury within a fraction of a second.*

#### 4) POWER TOOL USE AND CARE

- a) Do not force the power tool. Use the correct power tool for your application. *The correct power tool will do the job better and safer at the rate for which it was designed.*

- b) Do not use the power tool if the switch does not turn it on and off. *Any power tool that cannot be controlled with the switch is dangerous and must be repaired.*

- c) Disconnect the plug from the power source and/or the battery pack from the power tool before making any adjustments, changing accessories, or storing power tools. *Such preventive safety measures reduce the risk of starting the power tool accidentally.*

- d) Store idle power tools out of the reach of children and do not allow persons unfamiliar with the power tool or these instructions to operate the power tool. *Power tools are dangerous in the hands of untrained users.*

- e) Maintain power tools. Check for misalignment or binding of moving parts, breakage of parts and any other condition that may affect the power tool's operation. If damaged, have the power tool repaired before use. *Many accidents are caused by poorly maintained power tools.*

- f) Keep cutting tools sharp and clean. *Properly maintained cutting tools with sharp cutting edges are less likely to bind and are easier to control.*

- g) Use the power tool, accessories and tool bits, etc. in accordance with these instructions, taking into account the working conditions and the work to be performed.

*Use of the power tool for operations different from those intended could result in a hazardous situation.*

- h) Keep handles and grasping surfaces dry, clean and free from oil and grease. *Slippery handles and grasping surfaces do not allow for safe handling and control of the tool in unexpected situations.*

#### 5) SERVICE

- a) Have your power tool serviced by a qualified repair person using only identical replacement parts. *This will ensure that the safety of the power tool is maintained.*

### SPECIFIC SAFETY RULES

- **Hold power tool by insulated gripping surfaces, when performing an operation where the fastener may contact hidden wiring or its own cord.** *Fastener contacting a "live" wire may make exposed metal parts of the power tool "live" and could give the operator an electric shock.*
- **Wear ear protectors with impact drivers.** *Exposure to noise can cause hearing loss.*
- **Use clamps or another practical way to secure and support the work piece to a stable platform.** *Holding the work by hand or against your body leaves it unstable and may lead to loss of control.*
- **When not in use, place tool on its side on a stable surface where it will not cause a tripping or falling hazard.** *Some tools with large battery packs will stand upright but may be easily knocked over.*
- **Keep your hair, clothing, and gloves away from air vents.** *Air vents often cover moving parts in which these items can be caught.*
- **Hold tool firmly with two hands.** *Loss of control can cause personal injury.*
- **Wear safety goggles or other eye protection.** *Hammering and drilling operations cause chips to fly. Flying particles can cause permanent eye damage.*
- **Bits, sockets and tools get hot during operation.** *Wear gloves when touching them.*
- **Do not operate this tool for long periods of time.** *Vibration caused by tool action may be harmful to your hands and arms. Use gloves to provide extra cushion and limit exposure by taking frequent rest periods.*
- **Wear appropriate personal hearing protection during use.** *Under some conditions and duration of use, noise from this product may contribute to hearing loss.*

⚠ **WARNING:** *Impact wrenches are not torque wrenches. Do not use this tool for tightening fasteners to specified torques. An independent, calibrated torque measurement device such as a torque wrench should be used when under tightened or over tightened fasteners can lead to the failure of the joint.*

⚠ **WARNING: ALWAYS** use safety glasses. *Everyday eyeglasses are NOT safety glasses. Also use face or dust mask if drilling operation is dusty. ALWAYS WEAR CERTIFIED SAFETY EQUIPMENT:*

- ANSI Z87.1 eye protection (CAN/CPA Z94.3),

- ANSI S12.6 (S3.19) hearing protection,
- NOSH/OSHA respiratory protection.

**⚠ WARNING: Always wear proper personal hearing protection that conforms to ANSI S12.6 (S3.19) during use.** Under some conditions and duration of use, noise from this product may contribute to hearing loss.

**⚠ WARNING:** Some dust created by power sanding, sawing, grinding, drilling, and other construction activities contains chemicals known to the state of California to cause cancer, birth defects or other reproductive harm. Some examples of these chemicals are:

- lead from lead-based paints,
- crystalline silica from bricks and cement and other masonry products, and
- arsenic and chromium from chemically-treated lumber.

Your risk from these exposures varies, depending on how often you do this type of work. To reduce your exposure to these chemicals: work in a well ventilated area, and work with approved safety equipment, such as those dust masks that are specially designed to filter out microscopic particles.

• **Avoid prolonged contact with dust from power sanding, sawing, grinding, drilling, and other construction activities. Wear protective clothing and wash exposed areas with soap and water.** Allowing dust to get into your mouth, eyes, or lay on the skin may promote absorption of harmful chemicals.

**⚠ WARNING:** Use of this tool can generate and/or disperse dust, which may cause serious and permanent respiratory or other injury. Always use NOSH/OSHA approved respiratory protection appropriate for the dust exposure. Direct particles away from face and body.

## Symbols

The label on your tool may include the following symbols. The symbols and their definitions are as follows:

- V.....volts
- A.....amperes
- Hz.....hertz
- W.....watts
- min .....minutes
- ~ or AC..... alternating current
- or DC... direct current
- $n_0$ .....no load speed
- ⓘ ..... Class I Construction
- Ⓧ ..... earthing terminal (grounded)
- ⚠ ..... safety alert symbol
- Ⓧ ..... Class II Construction (double insulated)
- .../min or rpm...revolutions or reciprocation per minute
- 📖 ..... Read instruction manual before use
- 🧑 ..... Use proper respiratory protection
- 🕶 ..... Use proper eye protection
- 👂 ..... Use proper hearing protection
- BPM .....beats per minute

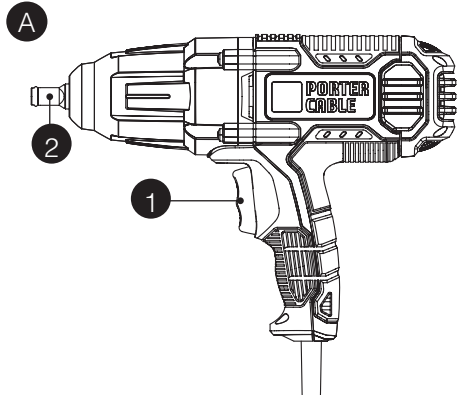
- When using an extension cord, be sure to use one heavy enough to carry the current your product will draw. An undersized cord will cause a drop in line voltage resulting in loss of power and overheating. The following table shows the correct size to use depending on cord length and nameplate ampere rating. If in doubt, use the next heavier gauge. The smaller the gauge number, the heavier the cord.

Volts	Minimum Gauge for Cord Sets					
	Total Length of Cord in Feet					
120V	0-25	26-50	51-100	101-150		
	(0-7,6m)	(7,6-15,2m)	(15,2-30,4m)	(30,4-45,7m)		
240V	0-50	51-100	101-200	201-300		
	(0-15,2m)	(15,2-30,4m)	(30,4-60,9m)	(60,9-91,4m)		
Ampere Rating						
More Than		Not more Than				
		American Wire Gauge				
0	-	6	18	16	16	14
6	-	10	18	16	14	12
10	-	12	16	16	14	12
12	-	16	14	12	Not Recommended	

## FUNCTIONAL DESCRIPTION

### Figure A

1. Forward/Reverse Rocker
2. 1/2" Hog Ring Anvil



## Operating Instructions

⚠ **WARNING: Shock hazard.** Under no circumstances should this product be used near water.

⚠ **WARNING: Risk of lacerations or burns.** Do not touch work piece or accessory immediately after operating the tool. They can become very hot. Handle carefully. Always allow accessories and work piece to cool before handling.

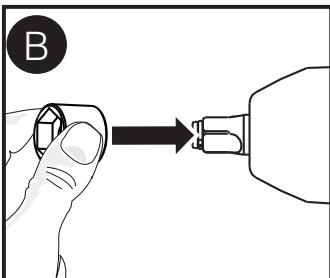
⚠ **WARNING: To reduce the risk of injury, turn unit off and disconnect it from power source before installing and removing accessories, before adjusting or when making repairs.** An accidental start-up can cause injury.

## Attaching Accessories

⚠ **CAUTION:** Use only impact sockets. Non-impact sockets may break and cause a hazardous condition. Inspect socket prior to use to ensure that it contains no cracks.

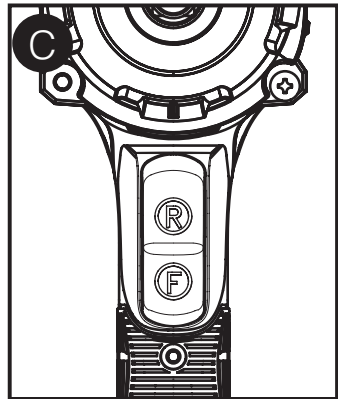
**To install an accessory,** firmly push accessory onto the 1/2" hog ring anvil (2) as shown in **figure B**. The hog ring (3) compresses to allow the accessory to slide on. After the accessory is installed, the hog ring applies pressure to help provide accessory retention.

**To remove an accessory,** grasp the accessory and firmly pull it off.



## Operation (Figure C)

- Press the bottom part of the forward/reverse switch (1) marked "F" to run the tool in a forward (right-hand thread) direction.
- Pressing the top of the forward/reverse switch (1) marked "R" to reverse the motor direction.



## Usage

⚠ **WARNING:** Ensure fastener and/or system will withstand the level of torque generated by the tool. Excessive torque may cause breakage and possible personal injury.

1. Place the accessory on the fastener head. Keep the tool pointed straight at the fastener.
2. Press forward/reverse switch (1) to start operation. Always check torque with a torque wrench, as the fastening torque is affected by many factors including the following:

- **Voltage:** Low voltage, due to generator or long extension cord, will reduce fastening torque.
- **Accessory size:** Failure to use the correct accessory size will cause a reduction in fastening torque.

- **Bolt Size:** Larger bolt diameters generally require higher fastening torque. Fastening torque will also vary according to length, grade, and torque coefficient.
- **Bolt:** Ensure that all threads are free of rust and other debris to allow proper fastening torque
- **Material:** The type of material and surface finish of the material will affect fastening torque.
- **Fastening Time:** Longer fastening time results in increased fastening torque. Using a longer fastening time than recommended could cause the fasteners to be overstressed, stripped or damaged.

## Capacity

Your 1/2" (12.7 mm) impact wrench uses sockets with 1/2" (12.7 mm) square drive ends.

## Maintenance

**⚠ WARNING: To reduce the risk of Injury, turn unit off and disconnect it from power source before installing and removing accessories, before adjusting or when making repairs.** An accidental start-up can cause injury.

## Cleaning

**⚠ WARNING:** Blow dirt and dust out of all air vents with clean, dry air at least once a week. To minimize the risk of eye injury, always wear ANSI Z87.1 approved eye protection when performing this.

**⚠ WARNING:** Never use solvents or other harsh chemicals for cleaning the non-metallic parts of the tool. These chemicals may weaken the plastic materials used in these parts. Use a cloth dampened only with water and mild soap. Never let any liquid get inside the tool; never immerse any part of the tool into a liquid.

## Replacement Parts

Use only identical replacement parts. For a parts list or to order parts, visit our service website at [www.portercable.com](http://www.portercable.com). You can also order parts from your nearest PORTER-CABLE Factory Service Center or PORTER-CABLE Authorized Warranty Service Center. Or, you can call our Customer Care Center at **(888) 848-5175**.

This Class B digital apparatus complies with Canadian ICES-003.

This device complies with part 15 of the FCC rules. Operation is subject to the following two conditions: (1) This device may not cause harmful interference, and (2) this device must accept any interference received, including interference that may cause undesired operation.

**NOTE:** This equipment has been tested and found to comply with the limits for a Class B digital device, pursuant to Part 15 of the FCC Rules. These limits are designed to provide reasonable protection against harmful interference in a residential installation. This equipment generates, uses and can radiate radio frequency energy and, if not installed and used in accordance with the instructions, may cause harmful interference to radio communications. However, there is no guarantee that interference will not occur in a particular installation.

If this equipment does cause harmful interference to radio or television reception, which can be determined by turning the equipment off and on, the user is encouraged to try to correct the interference by one or more of the following measures:

- Reorient or relocate the receiving antenna.
- Increase the separation between the equipment and receiver.
- Connect the equipment into an outlet on a circuit different from that to which the receiver is connected.
- Consult the dealer or an experienced radio/TV technician for help.

Changes or modifications to this unit not expressly approved by the party responsible for compliance could void the user's authority to operate the equipment. This Class B digital apparatus complies with Canadian ICES-003.

## TROUBLESHOOTING

### **Problem**

- Unit will not start.

### **Possible Cause**

- Cord not plugged in.
- Circuit fuse is blown.
  
- Circuit breaker is tripped.
  
  
- Cord or switch is damaged.

### **Possible Solution**

- Plug tool into a working outlet.
- Replace circuit fuse. (If the product repeatedly causes the circuit fuse to blow, discontinue use immediately and have it serviced at a Porter Cable service center or authorized servicer.)
- Reset circuit breaker. (If the product repeatedly causes the circuit breaker to trip, discontinue use immediately and have it serviced at a Porter Cable service center or authorized servicer.)
- Have cord or switch replaced at a Porter Cable Service Center or Authorized Servicer.

For assistance with your product, visit our website at [www.portercable.com](http://www.portercable.com) for a list of service centers, or call the PORTER-CABLE Customer Care Center at (888) 848-5175.

## **Service and Repairs**

All quality tools will eventually require servicing and/or replacement of parts. For information about PORTER-CABLE, its factory service centers or authorized warranty service centers, visit our website at [www.portercable.com](http://www.portercable.com) or call our Customer Care Center at (888) 848-5175. All repairs made by our service centers are fully guaranteed against defective material and workmanship. We cannot guarantee repairs made or attempted by others.

You can also write to us for information at PORTER-CABLE, 4825 Highway 45 North, Jackson, Tennessee 38305, (888) 848-5175 - Attention: Product Service. Be sure to include all of the information shown on the nameplate of your tool (model number, type, serial number, etc.).

## **Accessories**

**⚠WARNING:** Since accessories, other than those offered by PORTER-CABLE, have not been tested with this product, use of such accessories with this tool could be hazardous. To reduce the risk of injury, only PORTER-CABLE recommended accessories should be used with this product.

A complete line of accessories is available from your PORTER-CABLE Factory Service Center or a PORTER-CABLE Authorized Warranty Service Center. Please visit our Web Site [www.portercable.com](http://www.portercable.com) for a catalog or for the name of your nearest supplier.

## THREE-YEAR LIMITED WARRANTY

PORTER-CABLE (U.S.) Inc. warrants this product to be free from defects in material or workmanship for a period of three (3) years following the date of purchase, provided that the product is used in a home environment. This limited warranty does not cover failures due to abuse, accidental damage or when repairs have been made or attempted by anyone other than PORTER-CABLE and its Authorized Service Centers. A defective product meeting the warranty conditions set forth herein will be replaced or repaired at no charge in either of two ways:

The first, which will result in exchanges only, is to return the product to the retailer from whom it was purchased (provided that the store is a participating retailer). Returns should be made within the time period of the retailer's policy for exchanges. Proof of purchase may be required. Please check with the retailer for its specific return policy regarding time limits for returns or exchanges. The second option is to take or send the product (prepaid) to a PORTER-CABLE owned or authorized Service Center

for repair or replacement at PORTER-CABLE's option. Proof of purchase may be required. PORTER-CABLE owned and authorized service centers are listed online at [www.portercable.com](http://www.portercable.com).

This warranty does not apply to accessories. This warranty gives you specific legal rights and you may have other rights which vary from state to state. Should you have any questions, contact the manager of your nearest PORTER-CABLE Service Center. This product is not intended for commercial use, and accordingly, such commercial use of this product will void this warranty. All other guarantees, express or implied, are hereby disclaimed.

**LATIN AMERICA:** This warranty does not apply to products sold in Latin America. For products sold in Latin America, check country specific warranty information contained in the packaging, call the local company or see the website for such information.

**PORTER  CABLE.**

4825 Highway 45 North  
Jackson, Tennessee 38305  
(888) 848-5175      [www.portercable.com](http://www.portercable.com)



## Définitions : Symboles et termes d'alarmes sécurité

Ce guide d'utilisation utilise les symboles et termes d'alarmes sécurité suivants pour vous prévenir de situations dangereuses et de risques de dommages corporels ou matériels.

**⚠ DANGER:** Indique une situation dangereuse imminente qui, si elle n'est pas évitée, causera la mort ou des graves blessures.

**⚠ AVERTISSEMENT:** Indique une situation potentiellement dangereuse qui, si elle n'est pas évitée, pourrait causer la mort ou de graves blessures.

**⚠ MISE EN GARDE:** Indique une situation potentiellement dangereuse qui, si elle n'est pas évitée, pourrait causer des blessures mineures ou modérées.

**AVIS :** Utilisé sans le symbole d'alerte à la sécurité, indique une situation potentiellement dangereuse qui, si elle n'est pas évitée, peut résulter en des dommages à la propriété.

### Consignes générales de sécurité propres aux outils électriques

**⚠ AVERTISSEMENT:** lire toutes les consignes de sécurité, directives, illustrations et caractéristiques techniques fournies avec cet outil électrique. *Tout manquement aux instructions suivantes pose des risques de chocs électriques, d'incendie et/ou de dommages corporels graves.*

### Conserver tous les avertissements et toutes les directives pour un usage ultérieur.

Le terme «outil électrique» cité dans les avertissements se rapporte à votre outil électrique à alimentation sur secteur (avec fil) ou par piles (sans fil).

#### 1) Sécurité du lieu de travail

a) Tenir la zone de travail propre et bien éclairée. *Les endroits sombres sont souvent des causes d'accidents.*

b) Ne pas faire fonctionner d'outils électriques dans un milieu déflagrant, soit en présence de liquides inflammables, de gaz ou de poussière. *Les outils électriques produisent des étincelles qui peuvent enflammer la poussière ou les vapeurs.*

c) Eloigner les enfants et les curieux au moment d'utiliser un outil électrique. *Une distraction pourrait vous en faire perdre la maîtrise.*

#### 2) Sécurité en matière d'électricité

a) Les fiches des outils électriques doivent correspondre à la prise. Ne jamais modifier la fiche en aucune façon. *Ne jamais utiliser de fiche d'adaptation avec un outil électrique mis à la terre. Le risque de choc électrique sera réduit par l'utilisation de fiches non modifiées correspondant à la prise.*

b) Éviter tout contact physique avec des surfaces mises à la terre comme des tuyaux, des radiateurs, des cuisinières et des

réfrigérateurs. *Le risque de choc électrique est plus élevé si votre corps est mis à la terre.*

c) Ne pas exposer les outils électriques à la pluie ou à d'autres conditions où il pourrait être mouillé. *La pénétration de l'eau dans un outil électrique augmente le risque de choc électrique.*

d) Ne pas utiliser abusivement le cordon d'alimentation. Ne jamais utiliser le cordon pour transporter, tirer ou débrancher un outil électrique. Tenir le cordon éloigné de la chaleur, de l'huile, des bords tranchants ou des pièces mobiles. *Les cordons endommagés ou emmêlés augmentent les risques de choc électrique.*

e) Pour l'utilisation d'un outil électrique à l'extérieur, se servir d'une rallonge convenant à une telle utilisation. *L'utilisation d'une rallonge conçue pour l'extérieur réduit les risques de choc électrique.*

f) S'il est impossible d'éviter l'utilisation d'un outil électrique dans un endroit humide, brancher l'outil dans une prise ou sur un circuit d'alimentation dotés d'un disjoncteur de fuite à la terre (GFCI). *L'utilisation de ce type de disjoncteur réduit les risques de choc électrique.*

#### 3) Sécurité personnelle

a) Être vigilant, surveiller le travail effectué et faire preuve de jugement lorsqu'un outil électrique est utilisé. Ne pas utiliser d'outil électrique en cas de fatigue ou sous l'influence de drogues, d'alcool ou de médicaments. *Un simple moment d'inattention en utilisant un outil électrique peut entraîner des blessures corporelles graves.*

b) Utiliser des équipements de protection individuelle. Toujours porter une protection oculaire. *L'utilisation d'équipements de*

protection comme un masque antipoussière, des chaussures antidérapantes, un casque de sécurité ou des protecteurs auditifs lorsque la situation le requiert réduira les risques de blessures corporelles.

- c) Empêcher les démarrages intempestifs. S'assurer que l'interrupteur se trouve à la position d'arrêt avant de relier l'outil à une source d'alimentation et/ou d'insérer un bloc-piles, de ramasser ou de transporter l'outil.** *Transporter un outil électrique alors que le doigt repose sur l'interrupteur ou brancher un outil électrique dont l'interrupteur est à la position de marche risque de provoquer un accident.*
- d) Retirer toute clé de réglage ou clé standard avant de démarrer l'outil.** *Une clé standard ou une clé de réglage attachée à une partie pivotante peut causer des blessures.*
- e) Ne pas trop tendre les bras. Conserver son équilibre en tout temps.** *Cela permet de mieux maîtriser l'outil électrique dans les situations imprévues.*
- f) S'habiller de manière appropriée. Ne pas porter de vêtements amples ni de bijoux. Garder les cheveux, les vêtements et les gants à l'écart des pièces mobiles.** *Les vêtements amples, les bijoux ou les cheveux longs risquent de rester coincés dans les pièces mobiles.*
- g) Si des composants sont fournis pour le raccordement de dispositifs de dépoussiérage et de ramassage, s'assurer que ceux-ci sont bien raccordés et utilisés.** *L'utilisation d'un dispositif de dépoussiérage peut réduire les dangers engendrés par les poussières.*
- h) Ne pas laisser la familiarisation gagnée par l'utilisation fréquente des outils vous amener à la négligence et à ignorer les principes de sécurité propres à l'outil.** *Une imprudence pourrait causer des dommages corporels graves en une fraction de seconde.*
- 4) Utilisation et entretien d'un outil électrique**
- a) Ne pas forcer un outil électrique. Utiliser l'outil électrique approprié à l'application.** *L'outil électrique approprié effectuera un meilleur travail, de façon plus sûre et à la vitesse pour laquelle il a été conçu.*
- b) Ne pas utiliser un outil électrique dont l'interrupteur est défectueux.** *Tout outil électrique dont*
- l'interrupteur est défectueux est dangereux et doit être réparé.*
- c) Débrancher la fiche du secteur ou le bloc-piles de l'outil électrique avant de faire tout réglage ou changement d'accessoire, ou avant de ranger l'outil électrique.** *Ces mesures préventives réduisent les risques de démarrage accidentel de l'outil électrique.*
- d) Ranger les outils électriques hors de la portée des enfants, et ne permettre à aucune personne n'étant pas familière avec un outil électrique (ou son manuel d'instruction) d'utiliser ce dernier.** *Les outils électriques deviennent dangereux entre les mains d'utilisateurs inexpérimentés.*
- e) Entretien des outils électriques. Vérifier les pièces mobiles pour s'assurer qu'elles sont bien alignées et tournent librement, qu'elles sont en bon état et ne sont affectées par aucun trouble susceptible de nuire au bon fonctionnement de l'outil électrique. En cas de dommage, faire réparer l'outil électrique avant toute nouvelle utilisation.** *Beaucoup d'accidents sont causés par des outils électriques mal entretenus.*
- f) S'assurer que les outils de coupe sont aiguisés et propres.** *Les outils de coupe bien entretenus et affûtés sont moins susceptibles de se coincer et sont plus faciles à contrôler.*
- g) Utiliser l'outil électrique, les accessoires, les forets, etc. conformément aux présentes directives en tenant compte des conditions de travail et du travail à effectuer.** *L'utilisation d'un outil électrique pour toute opération autre que celle pour laquelle il a été conçu est dangereuse.*
- h) Maintenir les poignées et les surfaces de préhension propres et sèches, exemptes d'huile ou de graisse.** *Des poignées ou surfaces de préhension glissantes ne permettent pas la manipulation sécuritaire et le contrôle de l'outil dans les situations inattendues.*
- 5) Réparation**
- a) Faire réparer l'outil électrique par un réparateur professionnel en n'utilisant que des pièces de rechange identiques.** *Cela permettra de maintenir une utilisation sécuritaire de l'outil électrique.*

## RÈGLES DE SÉCURITÉ SPÉCIFIQUES

- **Tenir l'outil électrique par les surfaces de prise isolées pour effectuer un travail où une attache pourrait rencontrer des câblages cachés ou le cordon de l'outil.** Des attaches rentrant en contact avec un fil sous tension pourraient mettre sous tension les parties métalliques de l'outil électrique et électrocuter l'utilisateur.
- **Porter des protecteurs auditifs avec un marteau perforateur.** Exposition au bruit peut causer une perte auditive.
- **Utiliser des serre-joints ou un autre moyen pratique pour sécuriser et soutenir l'ouvrage sur une plate-forme stable.** Maintenant le travail à la main ou contre votre corps ne fournit pas la stabilité requise et peut conduire à la perte de contrôle.
- **Quand pas en service, placez l'outil sur le côté sur une surface stable où il ne provoquera pas un trébuchement ou tombent.** Certains outils présentant un gros accus sont capables de rester debout, mais peuvent être facilement renversés.
- **Éloigner les cheveux, les vêtements et les gants des trous d'aération.** Souvent la couverture des pièces mobiles où ces éléments peuvent être pris d'aération.
- **Tenez l'outil fermement à deux mains. Utilisez la poignée auxiliaire, si vous en avez un. Si vous n'avez pas la poignée auxiliaire, saisissez l'outil avec les deux mains.** La perte de contrôle pouvant entraîner des blessures.
- **Utiliser la protection ou autres lunettes de protection. Martelé et forage peut faire voler des éclats.** Ces particules peuvent causer des dommages permanents.
- **Outils, douilles et mèches deviennent chaudes au cours de l'opération.** Porter des gants pour les toucher.
- **Ne pas utiliser cet outil pour de longues périodes.** Les vibrations causées par l'action de l'outil peuvent être nocifs pour vos mains et vos bras. Utilisez des gants pour mieux d'amortissement et reposez souvent pour limiter leur exposition.
- **Utilisation appropriée au cours de l'utilisation une protection auditive.** Sous certaines conditions et avec des utilisations prolongées, le bruit généré par ce produit peut encourager une perte auditive.

**⚠ AVERTISSEMENT :** Les clés à chocs ne sont pas des clés dynamométriques. Ne pas utiliser cet outil pour resserrer des attaches à des couples spécifiques. Un instrument spécifique de mesure de couple calibré, telle une clé dynamométrique, doit être utilisé lorsque le serrage excessif ou

insuffisant d'une attache peut entraîner la défaillance du joint.

**⚠ AVERTISSEMENT :** TOUJOURS porter des lunettes de sécurité. Les lunettes de vue ne constituent PAS des lunettes de sécurité. Utiliser également un masque facial ou anti-poussière si l'opération de découpe génère de la poussière. **TOUJOURS PORTER UN ÉQUIPEMENT DE PROTECTION HOMOLOGUÉ :**

- protection oculaire conforme à la norme ANSI Z87.1 (CAN/CSA Z94.3);
- protection auditive ANSI S12.6 (S3.19);
- protection des voies respiratoires conformes aux normes NIOSH/OSHA/MSHA.

**⚠ AVERTISSEMENT :** certains outils électriques, tels que les sableuses, les scies, les meules, les perceuses ou certains autres outils de construction, peuvent produire de la poussière contenant des produits chimiques reconnus par l'État de la Californie comme étant susceptibles d'entraîner le cancer, des malformations congénitales ou pouvant être nocifs pour le système reproductif. Parmi ces produits chimiques, on retrouve :

- le plomb dans les peintures à base de plomb,
- la silice cristalline dans les briques et le ciment et autres produits de maçonnerie,
- l'arsenic et le chrome dans le bois de sciage ayant subi un traitement chimique.

Le risque associé à de telles expositions varie selon la fréquence avec laquelle on effectue ces travaux. Pour réduire l'exposition à de tels produits, il faut travailler dans un endroit bien aéré et utiliser le matériel de sécurité approprié, tel un masque anti-poussières spécialement conçu pour filtrer les particules microscopiques.

- **Éviter tout contact prolongé avec la poussière soulevée par cet outil ou autres outils électriques. Porter des vêtements de protection et nettoyer les parties exposées du corps à l'eau savonneuse.** S'assurer de bien se protéger afin d'éviter d'absorber par la bouche, les yeux ou la peau des produits chimiques nocifs.

**⚠ AVERTISSEMENT :** Cet outil peut produire et répandre de la poussière susceptible de causer des dommages sérieux et permanents au système respiratoire. Toujours utiliser un appareil respiratoire anti-poussières approprié approuvé par le NIOSH ou l'OSHA. Diriger les particules dans le sens opposé du visage et du corps.

## SYMBOLES

- L'étiquette apposée sur votre outil pourrait comprendre les symboles suivants. Les symboles et leurs définitions sont indiqués ci-après :

V .....	volts
A .....	ampères
Hz .....	hertz
W .....	watts
min.....	minutes
~ ou AC ....	courant alternatif
--- ou DC..	courant continu
nº .....	sous vide
⚠ .....	Construction de classe I
⚡ .....	borne de mise à la minute (mis à la terre)
⚡ .....	Construction de classe II
⚠ .....	symbole d'avertissement
.../min.....	tours à la minute
👉 .....	Lire le mode d'emploi avant l'utilisation
👉 .....	Utiliser une protection respiratoire adéquate.
👉 .....	Utiliser une protection oculaire adéquate.

👉 .....Utiliser une protection auditive adéquate.

BPM .....Coups par minute

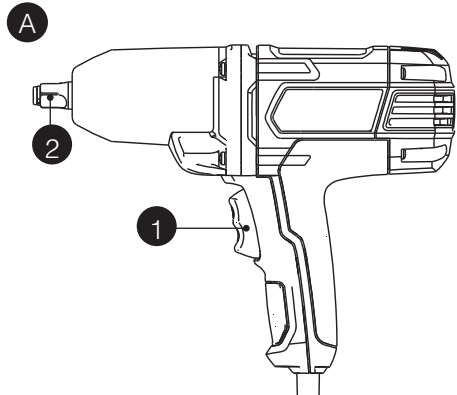
- En cas d'utilisation d'une rallonge, s'assurer que les valeurs nominales de la rallonge utilisée correspondent bien à celles de l'outil alimenté. L'usage d'une rallonge de calibre insuffisant causera une chute de tension entraînant perte de puissance et surchauffe. Le tableau ci-dessous illustre les calibres à utiliser selon la longueur de rallonge et l'intensité nominale indiquée sur la plaque signalétique. En cas de doutes, utiliser le calibre suivant. Plus le calibre est petit, plus la rallonge peut supporter de courant.

Calibre mínimo para cables de extensión				
Volts	Longitud total del cable en pies			
120V	0-25	26-50	51-100	101-150
	(0-7,6m)	(7,6-15,2m)	(15,2-30,4m)	(30,4-45,7m)
240V	0-50	51-100	101-200	201-300
	(0-15,2m)	(15,2-30,4m)	(30,4-60,9m)	(60,9-91,4m)
Amperaje				
	Más de	No más de	American Wire Gage	
0	- 6	18	16	16 14
6	- 10	18	16	14 12
10	- 12	16	16	14 12
12	- 16	14	12	No se recomienda

## DESCRIPTION FONCTIONNELLE

### Figure A

1. Interrupteur de marche avant/marche arrière
2. Mandrin carré de 12,7 mm (1/2 po)



## DIRECTIVES DE FONCTIONNEMENT

⚠ **AVERTISSEMENT** : Risque de décharge électrique. Ne jamais utiliser ce produit près de l'eau.

⚠ **AVERTISSEMENT** : Risque de lacerations ou de brûlures. Ne pas toucher à la pièce ou à l'accessoire immédiatement après avoir utilisé l'outil. En effet, ils peuvent devenir très chauds. À manipuler avec précaution. Toujours laisser refroidir les accessoires et la pièce avant de les manipuler.

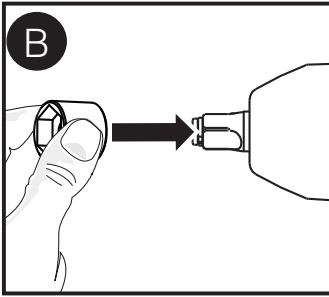
⚠ **AVERTISSEMENT** : Pour réduire le risque de blessure, éteindre l'appareil et le débrancher avant d'installer ou de retirer tout accessoire et avant d'effectuer des réglages ou des réparations. Un démarrage accidentel pourrait provoquer des blessures.

## INSTALLATION D'ACCESSOIRES

⚠ **MISE EN GARDE** : Utiliser uniquement des accessoires résistants aux chocs. D'autres types d'accessoires risqueraient d'éclater et de créer une situation dangereuse. Inspecter l'accessoire, avant usage, pour toute trace de fissures.

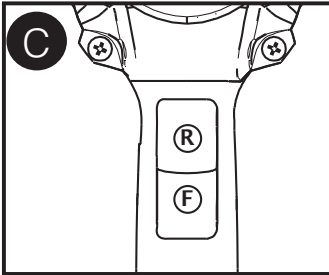
**Pour installer un accessoire**, le pousser fermement dans le mandrin carré de 12,7 mm (1/2 po) (2) comme l'illustre la **figure B**. L'anneau ouvert (3) se comprime pour laisser l'accessoire glisser. Une fois l'accessoire installé, l'anneau ouvert applique de la pression pour aider à le retenir.

**Pour retirer un accessoire,** saisir l'accessoire et tirer fermement dessus.



## FONCTIONNEMENT (FIGURE C)

- Enfoncer la partie inférieure de l'interrupteur de marche avant/marche arrière (1) marquée « F » pour actionner la marche avant (filetage du côté droit).
- Enfoncer la partie supérieure de l'interrupteur de marche avant/marche arrière (1) marquée « R » pour inverser la direction du moteur.



## UTILISATION

**⚠ AVERTISSEMENT :** S'assurer que le dispositif et/ou le système de fixation résisteront au couple produit par l'outil. Un couple excessif pourrait provoquer un bris et possiblement une blessure corporelle.

1. Positionner l'accessoire sur la tête du dispositif de fixation. Tenir l'outil perpendiculaire à celui-ci.
2. Appuyer sur l'interrupteur de marche avant/marche arrière (1) pour démarrer l'outil. Toujours vérifier le couple avec une clé dynamométrique. En effet, le couple de serrage est influencé par plusieurs facteurs notamment :

- **La tension :** une faible tension, produite par un générateur ou une longue rallonge, réduira le couple de serrage.
- **La dimension de l'accessoire :** un accessoire inapproprié causera une baisse du couple de serrage.
- **La dimension des boulons :** les boulons de grand diamètre exigent

normalement un couple de serrage plus élevé. Le couple de serrage variera également selon la longueur, la qualité et le coefficient de couple.

- **Boulon :** s'assurer que le filetage est exempt de rouille et d'autres saletés pour bien serrer au couple prévu.
- **Matériau :** le type de matériau et la surface de finition influenceront le couple de serrage.
- **Temps de serrage :** un temps de serrage prolongé produira un couple plus élevé. Un temps de serrage plus long que celui recommandé pourrait soumettre le dispositif de fixation à un effort excessif, le fausser ou l'endommager.

## CAPACITÉ

La clé à choc de 12,7 mm (1/2 po) utilise des douilles avec un entraînement à prise carrée de 12,7 mm (1/2 po).

## ENTRETIEN

**⚠ AVERTISSEMENT :** Pour réduire le risque de blessure, éteindre l'appareil et le débrancher avant d'installer ou de retirer tout accessoire et avant d'effectuer des réglages ou des réparations. Un démarrage accidentel pourrait provoquer des blessures.

## NETTOYAGE

**⚠ AVERTISSEMENT :** Enlever les saletés et la poussière hors des événements au moyen d'air comprimé sec et propre, au moins une fois par semaine. Pour minimiser le risque de blessure aux yeux, toujours porter une protection oculaire conforme à la norme ANSI Z87.1 lors du nettoyage.

**⚠ AVERTISSEMENT :** Ne jamais utiliser de solvants ni d'autres produits chimiques durs pour nettoyer les pièces non métalliques de l'outil. Ces produits chimiques peuvent affaiblir les matériaux de plastique utilisés dans ces pièces. Utiliser un chiffon humecté uniquement d'eau et de savon doux. Ne jamais laisser de liquide pénétrer dans l'outil et n'immerger aucune partie de l'outil dans un liquide.

## PIÈCES DE RECHANGE

Utiliser seulement des pièces de rechange identiques. Pour obtenir une liste des pièces de rechange ou pour en commander, consulter le site Web [www.portercable.com](http://www.portercable.com). Il est également possible de commander des pièces au centre de réparation de l'usine PORTER-CABLE et au centre de réparation sous garantie autorisé PORTER-CABLE le plus près.

Ou composer le 1-888-848-5175 pour le service à la clientèle.

Cet appareil numérique de la classe B est conforme à la norme NMB-003 du Canada. Cet appareil est conforme aux dispositions du paragraphe 15 des règlements de la FCC. Son fonctionnement est régi par les deux conditions suivantes : (1) Cet appareil ne peut pas causer d'interférence nuisible et (2) cet appareil doit accepter toutes les interférences reçues, y compris celles qui risquent d'en gêner le fonctionnement.

**REMARQUE** : ce matériel a été testé et a été déclaré conforme aux limites en vigueur concernant les dispositifs numériques de classe B, en vertu de la partie 15 de la réglementation FCC. Ces limites visent à assurer une protection raisonnable contre tout brouillage nuisible dans une installation résidentielle. Ce matériel produit, consomme et peut émettre une énergie de radiofréquence et, s'il n'est pas installé et utilisé conformément aux directives qui l'accompagnent, il peut entraîner un brouillage nuisible des communications radio. Cependant, nous ne garantissons pas l'absence de brouillage dans tous les types d'environnement. Si, après avoir effectué une vérification en mettant l'appareil hors tension puis sous tension, l'utilisateur s'aperçoit que ce matériel provoque un brouillage nuisible à la réception des signaux de radio ou de télévision, il lui faudra essayer de corriger ce brouillage en prenant une ou plusieurs des mesures ci-dessous :

- Réorienter ou repositionner l'antenne de réception.
- Éloigner le plus possible le matériel du récepteur.
- Brancher le matériel dans une prise électrique située sur un circuit différent de celui du récepteur.
- Consulter le distributeur ou un technicien radio/télévision expérimenté pour obtenir de l'aide.

Tout changement ou toute modification à cet appareil qui n'est pas expressément approuvé par l'institution responsable de la conformité peut faire annuler le droit de l'utilisateur d'utiliser ce matériel. Cet appareil numérique de la classe B est conforme à la norme NMB-003 du Canada.

## Entretien et réparation

Ce produit n'est pas réparable par l'utilisateur. Aucune pièce à l'intérieur du chargeur ne peut être réparée par l'utilisateur. Pour éviter tout dommage aux composants internes sensibles à l'électricité statique, faire effectuer toute réparation par un centre de réparation autorisé. Pour de plus amples

renseignements à propos de PORTER-CABLE, ses centres de réparation en usine ou ses centres de réparation sous garantie autorisés, visiter notre site Web au [www.portercable.com](http://www.portercable.com) ou communiquer avec notre centre de service à la clientèle en composant le 888-848-5175. Toutes les réparations effectuées dans nos centres de réparation sont entièrement garanties contre les défauts de matériaux et de main-d'oeuvre. Nous ne pouvons pas garantir les réparations effectuées en partie ou totalement par d'autres.

Pour de plus amples renseignements par courrier, écrire à PORTER-CABLE, 4825 Highway 45 North, Jackson, Tennessee 38305, (888) 848-5175, É.-U. - à l'attention de : Product Service. S'assurer d'indiquer toutes les informations figurant sur la plaque signalétique de l'outil (numéro du modèle, type, numéro de série, etc.).

## Accessoires

**⚠ AVERTISSEMENT** : Puisque les accessoires autres que ceux offerts par PORTER-CABLE n'ont pas été testés avec ce produit, l'utilisation de ceux-ci avec l'outil pourrait s'avérer dangereuse. Pour réduire le risque de blessures, utiliser exclusivement les accessoires PORTER-CABLE recommandés avec le produit. Les centres de réparation de l'usine PORTER-CABLE ou les centres de réparation sous garantie autorisés PORTER-CABLE sont en mesure de vous fournir la gamme complète d'accessoires. Consulter le site Web [www.portercable.com](http://www.portercable.com) pour obtenir un catalogue ou le nom du fournisseur local.

## DÉPANNAGE

### Problème

- L'appareil refuse de démarrer.

### Cause possible

- Cordon d'alimentation non branché.
- Le fusible du circuit est grillé.
- Le disjoncteur est déclenché.
- Le cordon d'alimentation ou la prise de courant est endommagé(e).

### Solution possible

- Brancher l'outil dans une prise qui fonctionne.
- Remplacer le fusible du circuit. (Si le produit fait griller de façon répétée le fusible du circuit, arrêter immédiatement d'utiliser le produit et le faire réparer dans un centre de réparation Porter Cable ou un centre de réparation autorisé.)
- Remettre le disjoncteur à zéro . (Si le produit fait déclencher de façon répétée le disjoncteur, arrêter immédiatement d'utiliser le produit et le faire réparer dans un centre de réparation Porter Cable ou un centre de réparation autorisé.)
- Faire remplacer le cordon ou l'interrupteur au centre de réparation Porter Cable ou à un centre de réparation autorisé.

Pour de l'aide avec l'outil, consulter notre site Web [www.portercable.com](http://www.portercable.com) pour l'emplacement du centre de réparation le plus près ou communiquer avec l'assistance Porter-Cable au **(888)848-5175**.

## **GARANTIE LIMITÉE DE TROIS ANS**

PORTER-CABLE réparera ou remplacera gratuitement tous les outils défectueux présentant des défauts de matériau ou de fabrication pendant trois ans à compter de la date d'achat [garantie de deux ans pour les blocs-piles]. Cette garantie ne couvre pas des défaillances de pièce dues à une usure normale ou à une mauvaise utilisation de l'outil. Pour plus de détails relatifs à la couverture de la garantie et aux réparations sous garantie, visiter le site [www.portercable.com](http://www.portercable.com) ou composer le 888-848-5175.

Cette garantie ne s'applique pas aux accessoires ni aux dommages causés par des réparations réalisées ou tentées par des tiers. Cette garantie vous accorde des droits légaux spécifiques et il est possible que vous ayez d'autres droits qui varient d'un État ou d'une province à l'autre. En plus de la garantie, les outils PORTER-CABLE sont couverts par notre :

### **SERVICE D'ENTRETIEN GRATUIT D'UN**

**(1) AN** : PORTER-CABLE entretiendra l'outil et remplacera les pièces usées par une utilisation normale, et ce, gratuitement et à tout instant pendant la première année à compter de la date d'achat.

### **GARANTIE DE REMBOURSEMENT**

**DE 90 JOURS** : Si l'utilisateur n'est pas entièrement satisfait des performances de son outil électrique PORTER-CABLE pour une raison quelconque, il peut le retourner accompagné du reçu dans les 90 jours suivant la date d'achat, et nous le lui rembourserons entièrement - sans poser de question.

**AMÉRIQUE LATINE** : cette garantie ne s'applique pas aux produits vendus en Amérique latine. Pour ceux-ci, veuillez consulter les informations relatives à la garantie spécifique présente dans l'emballage, appeler l'entreprise locale ou consulter le site Web pour les informations relatives à cette garantie. Pour enregistrer l'outil en vue d'obtenir un service de garantie, consulter notre site Web au [www.portercable.com](http://www.portercable.com).

### **REMPACEMENT DES ÉTIQUETTES D'AVERTISSEMENT**

Si vos étiquettes d'avertissement sont illisibles ou manquantes, contactez le 888-848-5175 pour en obtenir le remplacement gratuit.

**PORTER  CABLE**

4825 Highway 45 North  
Jackson, Tennessee 38305  
(888) 848-5175 [www.portercable.com](http://www.portercable.com)



## DEFINICIONES: SÍMBOLOS Y PALABRAS DE ALERTA DE SEGURIDAD

Este manual de instrucciones utiliza los siguientes símbolos y palabras de alerta de seguridad para alertarle de situaciones peligrosas y de los riesgos de lesiones corporales o daños materiales.

**⚠ PELIGRO:** indica una situación de peligro inminente que, si no se evita, provocará la muerte o lesiones graves.

**⚠ ADVERTENCIA:** indica una situación de peligro potencial que, si no se evita, provocará la muerte o lesiones graves.

**⚠ PRECAUCIÓN:** indica una situación de peligro potencial que, si no se evita, provocará lesiones leves o moderadas.

**PRECAUCIÓN:** utilizado sin el símbolo de alerta de seguridad indica una situación de peligro potencial que, si no se evita, puede provocar daños en la propiedad.

## Advertencias de seguridad generales para herramientas eléctricas

**⚠ ADVERTENCIA:** Lea todas las advertencias de seguridad, las instrucciones, ilustraciones y especificaciones provistas con esta herramienta eléctrica. El incumplimiento de las instrucciones que se indican a continuación podría provocar una descarga eléctrica, un incendio y/o lesiones graves. **Conserve todas las advertencias e instrucciones para futuras consultas.**

El término "herramienta eléctrica" incluido en las advertencias hace referencia a las herramientas eléctricas operadas con corriente (con cable eléctrico) o a las herramientas eléctricas operadas con baterías (inalámbricas).

### 1) Seguridad en el área de trabajo

**a) Mantenga el área de trabajo limpia y bien iluminada.** Las áreas abarrotadas y oscuras propician accidentes.

**b) No opere herramientas eléctricas en atmósferas explosivas, como ambientes donde se encuentran líquidos, gases o polvo inflamables.** Las herramientas eléctricas originan chispas que pueden encender el polvo o los vapores.

**c) Mantenga a los niños y espectadores alejados de la herramienta eléctrica en funcionamiento.** Las distracciones pueden provocar la pérdida de control.

### 2) Seguridad eléctrica

**a) Los enchufes de la herramienta eléctrica deben adaptarse al tomacorriente. Nunca modifique el enchufe de ninguna manera. No utilice ningún enchufe adaptador con herramientas eléctricas con conexión a tierra.** Los enchufes no modificados y que se adaptan a los tomacorrientes reducirán el riesgo de descarga eléctrica.

**b) Evite el contacto corporal con**

**superficies puestas a tierra, como por ejemplo tuberías, radiadores, rangos y refrigeradores.** Existe mayor riesgo de descarga eléctrica si su cuerpo está puesto a tierra.

**c) No exponga las herramientas eléctricas a la lluvia o a condiciones de humedad.** Si ingresa agua a una herramienta eléctrica, aumentará el riesgo de descarga eléctrica.

**d) No maltrate al cable. Nunca utilice el cable para transportar, tirar o desenchufar la herramienta eléctrica. Mantenga el cable lejos del calor, aceite, bordes afilados o piezas móviles.** Los cables dañados o enredados aumentan el riesgo de descarga eléctrica.

**e) Al operar una herramienta eléctrica en el exterior, utilice un cable prolongador adecuado para tal uso.** Utilice un cable adecuado para uso en exteriores a fin de reducir el riesgo de descarga eléctrica.

**f) Si el uso de una herramienta eléctrica en un lugar húmedo es imposible de evitar, utilice un suministro protegido con un interruptor de circuito por falla a tierra (GFCI).** El uso de un GFCI reduce el riesgo de descargas eléctricas.

### 3) Seguridad personal

**a) Permanezca alerta, controle lo que está haciendo y utilice el sentido común cuando emplee una herramienta eléctrica.** No utilice una herramienta eléctrica si está cansado o bajo el efecto de drogas, alcohol o medicamentos. Un momento de descuido mientras se opera una herramienta eléctrica puede provocar lesiones personales graves.

**b) Utilice equipos de protección personal. Siempre utilice protección para los ojos.** En las condiciones adecuadas, el uso de equipos de

protección, como máscaras para polvo, calzado de seguridad antideslizante, cascos o protección auditiva, reducirá las lesiones personales.

mediante el interruptor es peligrosa y debe ser reparada.

**c) Evite el encendido por accidente.**  
**Asegúrese de que el interruptor esté en la posición de apagado antes de conectarlo a la fuente de energía o paquete de baterías, o antes de levantar o transportar la herramienta.**  
*Transportar herramientas eléctricas con el dedo apoyado en el interruptor o enchufar herramientas eléctricas con el interruptor en la posición de encendido puede propiciar accidentes.*

**c) Desconecte el enchufe de la fuente de energía y/o el paquete de baterías de la herramienta eléctrica antes de realizar ajustes, cambiar accesorios o almacenar herramientas eléctricas.** *Estas medidas de seguridad preventivas reducen el riesgo de encender la herramienta eléctrica en forma accidental.*

**d) Retire las clavijas de ajuste o llaves de tuercas antes de encender la herramienta eléctrica.** *Una llave de tuercas o una clavija de ajuste que se deje conectada a una pieza giratoria de la herramienta eléctrica pueden provocar lesiones personales.*

**d) Guarde las herramientas eléctricas que no están en uso fuera del alcance de los niños y no permite que otras personas no familiarizadas con ella o con estas instrucciones operen la herramienta.** *Las herramientas eléctricas son peligrosas en las manos de usuarios no entrenados.*

**e) No se estire. Conserve el equilibrio adecuado y manténgase parado correctamente en todo momento.**  
*Esto permite un mejor control de la herramienta eléctrica en situaciones inesperadas.*

**e) Mantenimiento de las herramientas eléctricas. Controle que no haya piezas móviles mal alineadas o trabadas, piezas rotas y toda otra situación que pueda afectar el funcionamiento de las herramientas eléctricas. Si encuentra daños, haga reparar la herramienta eléctrica antes de utilizarla.** *Se producen muchos accidentes a causa de las herramientas eléctricas que carecen de un mantenimiento adecuado.*

**f) Use la vestimenta adecuada. No use ropas holgadas ni joyas. Mantenga el cabello, la ropa y los guantes alejados de las piezas en movimiento.** *Las ropas holgadas, las joyas o el cabello largo pueden quedar atrapados en las piezas en movimiento.*

**f) Mantenga las herramientas de corte afiladas y limpias.** *Las herramientas de corte con mantenimiento adecuado, con los bordes de corte afilados son menos propensas a trabarse y son más fáciles de controlar.*

**g) Si se suministran dispositivos para la conexión de accesorios con fines de recolección y extracción de polvo, asegúrese de que estén conectados y que se utilicen correctamente.** *El uso de dispositivos de recolección de polvo puede reducir los peligros relacionados con el polvo.*

**g) Utilice la herramienta eléctrica, los accesorios y las brocas de la herramienta, etc. de acuerdo con estas instrucciones y teniendo en cuenta las condiciones de trabajo y el trabajo que debe realizarse.** *El uso de la herramienta eléctrica para operaciones diferentes de aquéllas para las que fue diseñada podría originar una situación peligrosa.*

**h) No se confíe e ignore los principios de seguridad de esta herramienta por estar familiarizado con las herramientas debido a su uso frecuente.** *Una acción descuidada puede ocasionar una lesión grave en una fracción de segundo.*

**h) Mantenga los mangos y las superficies de agarre secos, limpios y sin aceite y grasa.** *Los mangos y las superficies de agarre resbalosos no permiten un manejo y control seguros de la herramienta en situaciones inesperadas.*

#### **4) Uso y mantenimiento de la herramienta eléctrica**

**a) No fuerce la herramienta eléctrica. Utilice la herramienta eléctrica correcta para el trabajo que realizará.** *La herramienta eléctrica correcta hará el trabajo mejor y más seguro a la velocidad para la que fue diseñada.*

**b) No utilice la herramienta eléctrica si no puede encenderla o apagarla con el interruptor.** *Toda herramienta eléctrica que no puede ser controlada*

#### **5) Mantenimiento**

**a) Haga que una persona de reparaciones calificada realice el mantenimiento de su herramienta eléctrica y utilice piezas de repuesto idénticas solamente.** *Esto garantizará la seguridad de la herramienta eléctrica.*

## NORMAS DE SEGURIDAD ESPECÍFICAS

- **Sostenga la herramienta eléctrica por las superficies de agarre aisladas cuando realice una operación en la cual la fijación pudiera entrar en contacto con instalaciones eléctricas ocultas o su propio cable.** Las fijaciones en contacto con un cable bajo tensión pueden transmitir corriente a las partes metálicas expuestas de la herramienta eléctrica y producir una descarga eléctrica al operador.
- **Utilice protectores auditivos con los taladros de impacto.** La exposición al ruido puede ocasionar la pérdida de la audición.
- **Utilice abrazaderas u otra forma práctica para asegurar y sostener la pieza de trabajo sobre una plataforma estable.** Sostener el trabajo con la mano o contra el cuerpo no brinda la estabilidad requerida y puede llevar a la pérdida del control.
- **Cuando no se utilice, coloque la herramienta de costado en una superficie estable en la que no provocará tropezones o caídas.** Algunas herramientas con paquetes de baterías grandes tienen la capacidad de mantenerse en posición vertical, pero pueden ser fácilmente derribadas.
- **Mantenga el cabello, la ropa y los guantes alejados de los orificios de ventilación.** Los orificios de ventilación suelen cubrir piezas móviles donde estos elementos se pueden enganchar.
- **Sostenga la herramienta firmemente con ambas manos.** Utilice el mango auxiliar, en caso de tenerlo. Si no tiene mango auxiliar, agarre la herramienta con ambas manos. La pérdida del control podría ocasionar lesiones personales.
- **Use gafas de protección u otro tipo de protección ocular.** El martillado y taladrado pueden hacer que vuelen astillas. Estas partículas pueden causar daños permanentes.
- **Las brocas, los casquillos y herramientas se calientan durante la operación.** Use guantes cuando las toque.
- **No opere esta herramienta durante períodos largos de tiempo.** La vibración causada por la acción de la herramienta puede ser dañina para sus manos y brazos. Use guantes para un mejor amortiguamiento y descanse con frecuencia para limitar su exposición.
- **Utilice una protección auditiva apropiada durante el uso.** En determinadas condiciones y con utilizaciones prolongadas, el ruido generado por este producto puede favorecer la pérdida de audición.

**⚠ ADVERTENCIA:** Las llaves de impacto no son llaves de torsión. No utilice esta herramienta para ajustar piezas de sujeción a pares de torsión específicos. Cuando un par de torsión inadecuado en una pieza de sujeción determinada pudiera llevar a defectos en la junta, utilice un dispositivo de medición de par de torsión independiente y calibrado como una llave de torsión.

**⚠ ADVERTENCIA: USE SIEMPRE LENTES DE SEGURIDAD.** Los anteojos de uso diario NO son lentes de seguridad. Utilice también máscaras faciales o para polvo si el corte produce polvillo. **UTILICE SIEMPRE EQUIPOS DE SEGURIDAD CERTIFICADOS:**

- Protección para los ojos según la norma ANSI Z87.1 (CAN/CSA Z94.3)
- Protección auditiva según la norma ANSI S12.6 (S3.19)
- Protección respiratoria según las normas NIOSH/OSHA/MSHA

**⚠ ADVERTENCIA: Utilice protección para los oídos durante el uso.** Bajo ciertas condiciones y duración de uso, el ruido de este producto puede contribuir a una pérdida del uso del oído.

**⚠ ADVERTENCIA:** parte del polvo producido por las herramientas eléctricas al lijar, aserrar, esmerilar, taladrar y realizar otras actividades de la construcción, contiene productos químicos reconocidos por el Estado de California como causantes de cáncer, defectos de nacimiento u otros problemas reproductivos. Algunos de estos productos químicos son:

- el plomo de las pinturas de base plomo,
- la sílice cristalina de ladrillos, el cemento y otros productos de mampostería, y
- el arsénico y el cromo de la madera con tratamiento químico.

El riesgo derivado de estas exposiciones varía según la frecuencia con la que se realice este tipo de trabajo. Para reducir la exposición a estos productos químicos: trabaje en áreas bien ventiladas y trabaje con equipos de seguridad aprobados, como las máscaras para polvo especialmente diseñadas para filtrar las partículas microscópicas.

• **Evite el contacto prolongado con el polvo procedente del lijado, serrado, esmerilado y taladrado eléctricos, así como de otras actividades del sector de la construcción. Lleve ropa protectora y lave con agua y jabón las zonas expuestas.** Si permite que el polvo se introduzca en la boca u ojos o quede sobre

la piel, puede favorecer la absorción de productos químicos peligrosos.

**⚠ ADVERTENCIA:** El uso de esta herramienta puede generar o dispersar polvo lo cual puede causar lesiones respiratorias serias y permanentes y otros tipos de lesión. Siempre use protección respiratoria aprobada por NIOSH/OSHA para la exposición al polvo. Dirija las partículas en dirección opuesta a su cara y cuerpo.

## Símbolos

- La etiqueta de su herramienta puede incluir los siguientes símbolos. Los símbolos y sus definiciones son los siguientes:

V..... voltios

A..... amperios

Hz..... hertz

W..... vatios

min..... minutos

~ o AC..... corriente alterna

— o DC..... corriente directa

no..... no velocidad sin carga

⚡..... Construcción Clase I

⊕..... terminal a tierra

(mis à la terre)

⊞..... Construcción de clase II

⚠..... simbolo de alerta

.../min..... revoluciones o minuto seguridad

📖..... Lea el manual de instrucciones antes del uso

🧢..... Use protección adecuada

🧢..... para las vías respiratorias  
..... Use protección adecuada para los ojos

👂..... Use protección adecuada para los oídos

BPM..... impactos por minuto

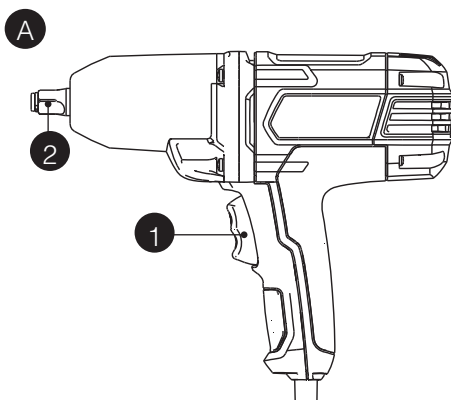
- Cuando use un alargador, asegúrese de usar uno de un calibre suficiente como para cargar con la corriente que requerirá su producto. Un alargador de menor calibre causará una caída en el voltaje de la línea lo que resultará en pérdida de potencia y sobrecalentamiento. El siguiente cuadro muestra el tamaño correcto a utilizar, dependiendo del largo del cable y el amperaje nominal. En caso de duda, utilice el de mayor calibre. Mientras menor el número del calibre, mayor la capacidad del cable.

Volts	Calibre mínimo para cables de extensión			
	Longitud total del cable en pies			
120V	0-25	26-50	51-100	101-150
	(0-7,6m)	(7,6-15,2m)	(15,2-30,4m)	(30,4-45,7m)
240V	0-50	51-100	101-200	201-300
	(0-15,2m)	(15,2-30,4m)	(30,4-60,9m)	(60,9-91,4m)
Amperaje	American Wire Gage			
	Más de	No más de		
0	- 6	18	16	14
6	- 10	18	16	12
10	- 12	16	14	12
12	- 16	14	12	No se recomienda

## DESCRIPCIÓN DE LA FUNCIONES

### Figura A

1. Interruptor de avance/reversa
2. Mandril cuadrado de 12,7 mm (1/2 pulg.)



## INSTRUCCIONES DE FUNCIONAMIENTO

**⚠ ADVERTENCIA:** Peligro de descarga eléctrica. Bajo ninguna circunstancia debe utilizarse este producto cerca del agua.

**⚠ ADVERTENCIA:** Riesgo de laceraciones o quemaduras. No toque la pieza de trabajo o el accesorio inmediatamente después de hacer funcionar la herramienta. Pueden calentarse mucho. Manipúelas con cuidado. Siempre espere a que los accesorios y la pieza de trabajo se enfríen antes de manipularlos.

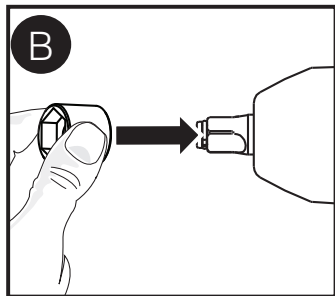
**⚠ ADVERTENCIA:** Para reducir el riesgo de lesiones, apague la unidad y desconéctela de la fuente de alimentación antes de instalar y quitar accesorios, antes de realizar ajustes o al efectuar reparaciones. Un arranque accidental puede provocar lesiones.

## CONEXIÓN DE ACCESORIOS

**⚠ PRECAUCIÓN:** Utilice solo accesorios de impacto. Los accesorios que no sean de impacto pueden romperse y provocar una condición peligrosa. Inspeccione el accesorio antes de utilizarlo para asegurarse de que no tenga grietas.

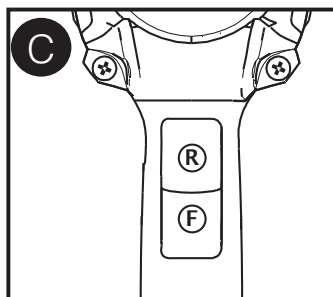
**Para instalar un accesorio,** empújelo con firmeza sobre el mandril cuadrado de 12,7 mm (1/2 pulg.) (2) como se muestra en la **Figura B**. El anillo con cordón curvo (3) se comprime para permitir que el accesorio se deslice encima. Una vez instalado el accesorio, el anillo con cordón curvo aplica presión que ayuda a permitir la retención del accesorio.

**Para quitar un accesorio,** sujételo y tire de este con firmeza para sacarlo.



## FUNCIONAMIENTO (FIGURA C)

- Oprima la parte inferior del interruptor de avance/reversa (1) marcado con una "F" para hacer funcionar la herramienta hacia adelante (rosca hacia la derecha).
- Oprima la parte superior del interruptor de avance/reversa (1) marcado con una "R" para invertir la dirección del motor.



## USO

**⚠ ADVERTENCIA:** Asegúrese de que el elemento de fijación y/o el sistema soporten el nivel de torsión generado por la herramienta. Una torsión excesiva puede provocar roturas y posibles lesiones personales.

1. Coloque el accesorio en la cabeza del elemento de fijación. Mantenga la herramienta apuntando directamente al elemento de fijación.
2. Oprima el interruptor de avance/reversa (1) para iniciar el funcionamiento. Controle siempre la torsión con una llave de torsión, ya que la torsión de fijación se ve afectada por muchos factores, incluidos los siguientes:

- **Voltaje:** Un bajo voltaje, debido a un generador o cable prolongador largo, reducirá la torsión de fijación.
- **Tamaño del accesorio:** El no utilizar el tamaño del accesorio del tamaño correcto provocará una reducción en la torsión de fijación.
- **Tamaño del perno:** Los pernos de mayor diámetro generalmente requieren una mayor torsión de fijación. La torsión de fijación también variará de acuerdo con el largo, el grado y el coeficiente de torsión.
- **Perno:** Asegúrese de que todas las roscas estén libres de óxido y otros residuos para permitir una torsión de fijación adecuada.
- **Material:** El tipo de material y el acabado de la superficie del material afectarán la torsión de fijación.
- **Tiempo de fijación:** Un mayor tiempo de fijación da como resultado un aumento de la torsión de fijación. El uso de un tiempo de fijación mayor que el recomendado puede provocar que los elementos de fijación se sobrecarguen, se quiebren o se dañen.

## CAPACIDAD

La llave de impacto de 12,7 mm (1/2 pulg.) utiliza tubos con extremos de accionamiento cuadrados de 12,7 mm (1/2 pulg.).

## MANTENIMIENTO

**⚠️ ADVERTENCIA:** Para reducir el riesgo de lesiones, apague la unidad y desconéctela de la fuente de alimentación antes de instalar y quitar accesorios, antes de realizar ajustes o al efectuar reparaciones. Un arranque accidental puede provocar lesiones.

## LIMPIEZA

**⚠️ ADVERTENCIA:** Elimine la suciedad y el polvo de todos los conductos de ventilación con aire seco y limpio, como mínimo una vez por semana. Para minimizar el riesgo de lesiones oculares, siempre use protección aprobada para los ojos que cumpla con la norma ANSI Z87.1 al realizar esta tarea.

**⚠️ ADVERTENCIA:** Nunca utilice solventes u otros productos químicos abrasivos para la limpieza de las piezas no metálicas de la herramienta. Estos productos químicos pueden debilitar los materiales plásticos que se utilizan en estas piezas. Utilice un paño humedecido sólo con agua y jabón neutro. Nunca permita que penetre líquido dentro de la herramienta y nunca sumerja ninguna pieza de ésta en un líquido.

## PIEZAS DE REPUESTO

Utilice sólo piezas de repuesto idénticas. Para obtener una lista de piezas o para solicitar piezas, visite nuestro sitio Web en [www.portercable.com](http://www.portercable.com). También puede solicitar piezas al Centro de mantenimiento de fábrica PORTER-CABLE o al Centro de mantenimiento con garantía autorizado de PORTER-CABLE más cercanos. O bien, puede llamar a nuestro Centro de atención al cliente al (888) 848-5175.

Este aparato digital Clase B cumple con la norma canadiense ICES-003.

Este mecanismo cumple con la parte 15 de las normas de la Comisión Federal de Comunicaciones de Estados Unidos (FCC). La operación está sujeta a las dos condiciones siguientes: (1) Este mecanismo posiblemente no cause interferencia perjudicial; y (2) este mecanismo puede aceptar cualquier interferencia recibida, incluso interferencia que podría provocar una operación no deseada.

**NOTA:** Este equipo ha sido probado y se encontró que cumple con los límites para dispositivo digital Clase B, según la parte 15 de las normas de la FCC. Estos límites están diseñados para brindar protección razonable contra interferencia perjudicial en una instalación residencial. Este equipo genera, usa y puede irradiar energía en frecuencia de radio y, si no se instala y se usa de

acuerdo con las instrucciones, puede provocar interferencia perjudicial en las comunicaciones de radio. Sin embargo, no hay garantía de que la interferencia no ocurra en una instalación en particular. Si este equipo provoca interferencia perjudicial en la recepción de radio o televisión, lo que se puede determinar al apagar y encender el equipo, el usuario debe tratar de corregir la interferencia mediante una o más de las siguientes medidas:

- Cambiar la orientación o la ubicación de la antena de recepción.
- Aumentar la separación entre el equipo y el receptor.
- Conectar el equipo a un tomacorriente sobre un circuito diferente de aquel al que está conectado el receptor.
- Consultar al vendedor o pedir la ayuda de un técnico en radio y televisión con experiencia.

Los cambios o las modificaciones que se le realicen a esta unidad sin aprobación expresa del tercero responsable del cumplimiento pueden anular la autorización del usuario para operar el equipo. Este aparato digital de la clase B se conforma con ICES-003 canadiense.

## MANTENIMIENTO Y REPARACIONES

El mantenimiento de este producto no puede ser realizado por el usuario. Dentro del cargador no hay piezas a las que el usuario pueda hacerles mantenimiento. El mantenimiento de la herramienta debe realizarse en un centro de mantenimiento autorizado para evitar daños a los componentes internos, sensibles a la estática. Para obtener información acerca de PORTER-CABLE, sus centros de mantenimiento o centros de mantenimiento con garantía autorizados, visite nuestro sitio web en [www.portercable.com](http://www.portercable.com) o comuníquese con nuestro Centro de atención al cliente al (888) 848-5175. Todas las reparaciones realizadas en nuestros centros de mantenimiento están completamente garantizadas en relación con los materiales defectuosos y la mano de obra. No podemos otorgar garantías en relación con las reparaciones ni los intentos de reparación de otras personas. También puede escribirnos solicitando información a PORTER-CABLE, 4825 Highway45 North, Jackson, Tennessee 38305; referencia: Mantenimiento de productos. Asegúrese de incluir toda la información mencionada en la placa de la herramienta (número de modelo, tipo, número de serie, etc.).

## DETECCIÓN DE PROBLEMAS

<b>Problema</b>	<b>Causa posible</b>	<b>Solución posible</b>
<ul style="list-style-type: none"><li>• La unidad no enciende.</li></ul>	<ul style="list-style-type: none"><li>• Cable desenchufado.</li><li>• Fusible quemado.</li><li>• El interruptor automático está activado.</li><li>• Interruptor o cable dañado.</li></ul>	<ul style="list-style-type: none"><li>• Enchufe el cargador en un tomacorriente que funcione.</li><li>• Reemplace el fusible quemado. (Si repetidamente el producto hace que el fusible del circuito se queme, deje de utilizarlo inmediatamente y haga que le realicen mantenimiento en un centro de mantenimiento Porter Cable o en un centro de servicio autorizado.)</li><li>• Reinicie el interruptor automático. (Si repetidamente el producto hace que el fusible del circuito se queme, deje de utilizarlo inmediatamente y haga que le realicen mantenimiento en un centro de mantenimiento Porter Cable o en un centro de servicio autorizado.)</li><li>• Haga reparar el cable o el interruptor en un centro de mantenimiento Porter Cable o en un centro de mantenimiento autorizado.</li></ul>

Para conocer la ubicación del centro de mantenimiento más cercano a fin de recibir ayuda con su producto, visite nuestro sitio Web [www.portercable.com](http://www.portercable.com) o llame a la línea de ayuda PORTER-CABLE al **(888)848-5175**.

## ACCESORIOS

**⚠️ ADVERTENCIA:** Debido a que no se han probado con este producto otros accesorios que no sean los que ofrece PORTER-CABLE, el uso de dichos accesorios con esta herramienta podría ser peligroso. Para reducir el riesgo de lesiones, con este producto deben usarse sólo los accesorios PORTER-CABLE recomendados.

Puede encontrar la línea completa de accesorios en los centros de mantenimiento de fábrica PORTER-CABLE o centros de mantenimiento con garantía autorizados de PORTER-CABLE. Visite nuestro sitio web [www.portercable.com](http://www.portercable.com) para obtener un catálogo o para conocer el nombre de su proveedor más cercano.

## GARANTÍA LIMITADA DE TRES AÑOS

PORTER-CABLE reparará o reemplazará, sin cargo, cualquier defecto ocasionado por materiales defectuosos o mano de obra durante tres años a partir de la fecha de compra, en el caso de las herramientas (dos años para las baterías). Esta garantía no cubre fallas en las piezas que resulten del desgaste normal de la herramienta o de su utilización inadecuada. Para obtener información detallada sobre la cobertura de la garantía y sobre reparaciones, visite [www.portercable.com](http://www.portercable.com) o llame al (888) 848-5175. Esta garantía no se extiende a los accesorios o a los daños causados por terceros al intentar realizar reparaciones. Esta garantía le concede derechos legales específicos; pueden existir otros derechos que varían según el estado o la provincia.

Además de la garantía, las herramientas PORTER-CABLE están cubiertas por nuestro:

### SERVICIO GRATUITO DE 1

**AÑO:** PORTER-CABLE realizará el mantenimiento y reemplazará las piezas gastadas tras el uso normal, sin costo alguno, en cualquier momento durante el primer año después de la compra.

### GARANTÍA DE DEVOLUCIÓN DE

**DINERO DE 90 DÍAS:** Si por alguna razón no estuviera plenamente satisfecho con el rendimiento de su herramienta eléctrica PORTER-CABLE, puede devolver el producto dentro de los 90 días siguientes a la fecha de compra acompañado del

recibo. De esta manera, se le reintegrará el importe total del producto sin formularle pregunta alguna.

**AMÉRICA LATINA:** Esta garantía no se aplica a los productos que se venden en América Latina. Para los productos que se venden en América Latina, debe consultar la información de la garantía específica del país que viene en el empaque, llamar a la compañía local o visitar el sitio Web a fin de obtener esa información.

Para registrar la herramienta con el objeto de obtener el mantenimiento cubierto por la garantía, visite nuestro sitio Web, [www.portercable.com](http://www.portercable.com).

## REEMPLAZO DE LAS ETIQUETAS DE ADVERTENCIA

Si sus etiquetas de advertencia se vuelven ilegibles o faltan, llame al (888) 848-5175 para que se las reemplacen gratuitamente.

**PORTER  CABLE.**

4825 Highway 45 North  
Jackson, Tennessee 38305  
(888) 848-5175  
[www.portercable.com](http://www.portercable.com)