

Installation Instructions

LT32 Locking Gas Can Rack

Designed to work with the following gas cans:

- Blitz USA Inc. 5 gal and 6 plus gas cans
- Midwest Can Co. 5 gal cans
 Models 5600, 7600, & 8600
- No-Spill Inc. 5 gal cans
 Models 1058, 1450, 1456, & 1457

Before you begin installing:

1. Read and understand these instructions completely.
2. Verify that you have received all the parts listed in the bill of materials.

CAUTION

Always wear safety glasses when using power tools

Utility Trailer Installation Instructions

Tools and Materials Required:

- 9/16" Wrench or Socket
- 7/32" Hexagon Allen Wrench
- Electric Drill
- 3/8" Drill Bit

1. Place the gas can rack on the rail of your utility trailer where you would like it mounted. **Make sure the rack does not extend past the widest part of the trailer.** Align the holes in the bottom of the gas can rack with the center of the rail.

2. Mark the position of the three holes on the trailer rail.

WARNING

Check for locations of brake lines and electrical wiring etc., before drilling any holes. Any damage to trailer during installation is the installer's sole responsibility.

3. Drill 3/8" holes in the positions marked.

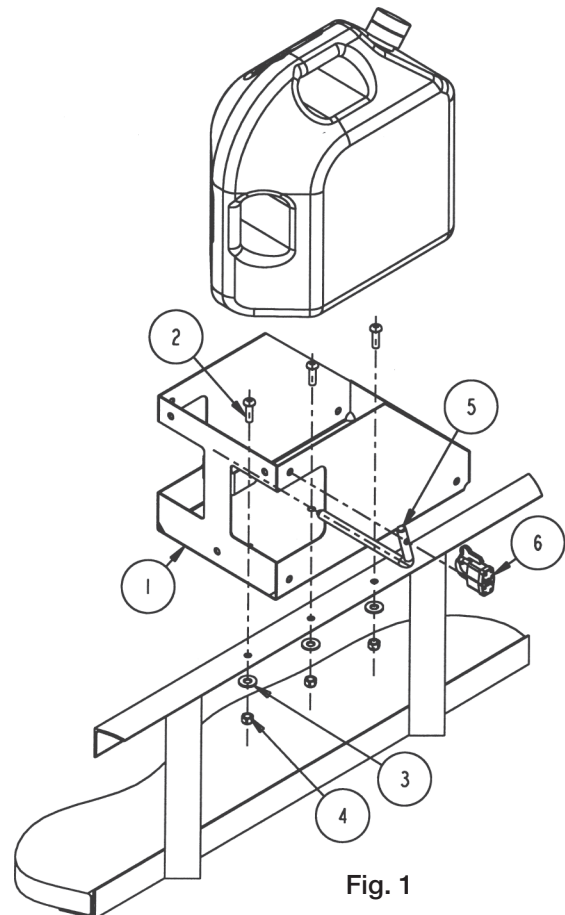


Fig. 1

Bill of Materials

ITEM	PART NO.	QTY.	DESCRIPTION
1	3030321	1	Rack, Locking Gas Can, Only
2	3004396	3	Screw, Button Head, 3/8" x 1-1/4", Zn
3	FWF038100007	3	Washer, Flat, 3/8" UUS, Zn
4	FNE038016044	3	Nut, Nylock, 3/8", Zn
5	3005729	1	Pin, Lock, Gas Can Rack
6	3005730	1	Lock, 1-1/2" Pad w/ Keys

4. Bolt the rack to the trailer with three 3/8-16 X 1-1/4 socket head cap screws, six 3/8" flat washers, and three 3/8-16 nylock nuts supplied and tighten.

5. Assemble the lock pin to the gas can rack through the two 1/2" holes in the tabs. Align the 5/16" hole in the lock pin with top hole in the gas can rack and assemble lock.

—continued inside

Enclosed Trailer Installation Instructions

Tools and Materials Required:

- 9/16" Wrench or Socket
- Electric Drill
- 1/4" Drill Bit
- 3/4" Plywood Shim Strips
- Shim screws

1. In order to mount this rack to an enclosed trailer, you must first add 3/4" plywood shim strips to the walls. These shim strips must be attached to at least two wall support studs with suitable fasteners. If you don't know what kind or length of fastener to use contact your trailer dealer or manufacturer for their recommendation.

2. Place the gas can rack against the shims, hold level, and mark the position of the three 3/8" holes in rack onto the shim boards.

WARNING

Check for locations of brake lines and electrical wiring etc., before drilling any holes. Any damage to trailer during installation is the installer's sole responsibility.

3. Drill three 1/4" pilot holes in the positions just marked for the 3/8" lag screws. **Be extremely careful not to drill through the outside trailer wall.**

4. Fasten the rack to the trailer wall with the three 3/8" X 1-1/4" lag screws and three 3/8" flat washers supplied.

5. Assemble the lock pin to the gas can rack through the two 1/2" holes in the tabs. Align the 5/16" hole in the lock pin with top hole in the gas can rack and assemble lock.

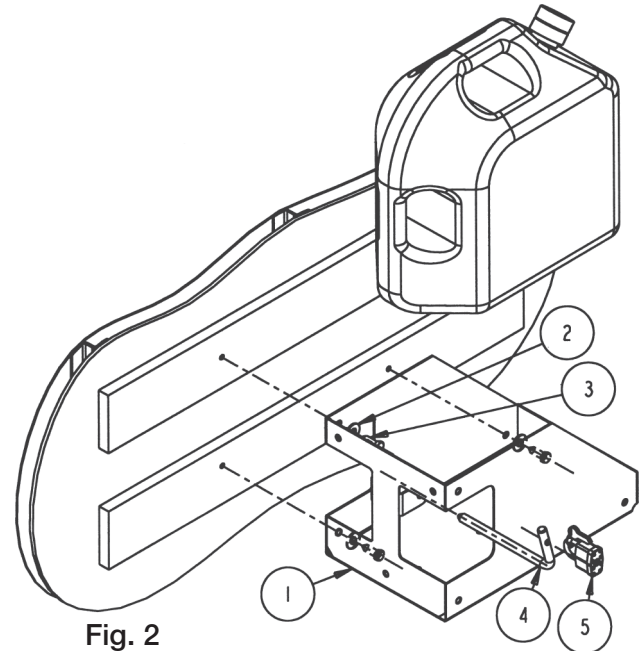


Fig. 2

Bill of Materials

ITEM	PART NO.	QTY.	DESCRIPTION
1	3030321	1	Rack, Locking Gas Can, Only
2	FWF038100007	3	Washer, Flat, 3/8" UUS, Zn
3	3004486	3	Screw, Hex Head Lag, 3/8 x 1-1/4, Zn
4	3005729	1	Pin, Lock, Gas Can Rack
5	3005730	1	Lock, 1-1/2" Pad w/ Keys

WARRANTY

Buyers Products Co. warrants all truck/trailer hardware manufactured or distributed by it, to be free from defects in material and workmanship for a period of one year from date of shipment. Parts must be properly installed and used under normal conditions. Any product which has been altered, including modification, misuse, accident or lack of maintenance will not be considered under warranty. Normal wear is excluded. The sole responsibility of Buyers Products Co. under this warranty is limited to repairing or replacing any part or parts which are returned, prepaid, and are found to be defective by Buyers Products Co. Authorization from Buyers Products Co. must be obtained before returning any part. No charges for transportation or labor performed on Buyers' products will be allowed under this warranty.