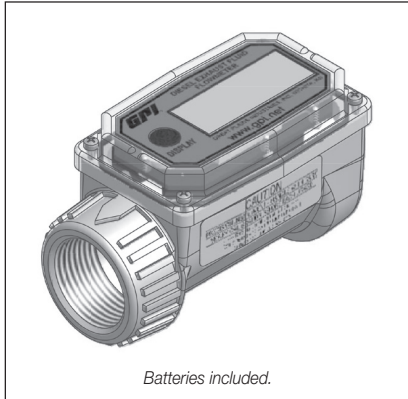


Owner's Manual for 01N31GM-U Electronic Flowmeter



Batteries included.

IMPORTANT NOTICE

Use this meter with water, DEF or similar fluids. Do not use with flammable liquids, fuels or chemicals that are not compatible with the wetted materials found in the Specifications section.

This meter is not legal for trade applications. The meter is sensitive to electrical "noise" and may not operate correctly if located near some electrical equipment.

CALIBRATION

This meter has a permanent factory calibration for light viscosity fluids. If installed and used correctly, inaccuracies of no greater than $\pm 5\%$ will be obtained.

INSTALLATION

This meter may be installed in-line either horizontally or vertically or at the end of the hose adjacent to the nozzle, if present. Installation to metal connections is not recommended.

The use of pipe sealant or PTFE tape is acceptable. Review your application for suitability.

Hand tighten the meter at the housing ends. Do not use a wrench or similar tools to tighten the meter housing. The plastic housing could be damaged.

OPERATION

Batch and Cumulative Totals

The meter maintains two totals. The batch total may be reset to measure flow during a single use. The cumulative total provides continuous measurement and may not be manually reset. The batch total is labeled as TTL1. The cumulative total is labeled TTL2.

When the cumulative total reaches a maximum reading of 9999, it will automatically reset to zero.

Press the DISPLAY button briefly to switch between the batch and cumulative total.

Activate the Meter

Turn the meter ON by starting water flow or briefly pressing the DISPLAY button. The meter will display the batch or cumulative total from last use.

Press DISPLAY briefly to display the batch total. Hold the DISPLAY button down for three seconds to reset the batch total to zero.

The meter is programmed to turn off automatically if not used for about one minute.

MAINTENANCE

Proper handling and care will extend the life and service of the meter.

Turbine Rotor

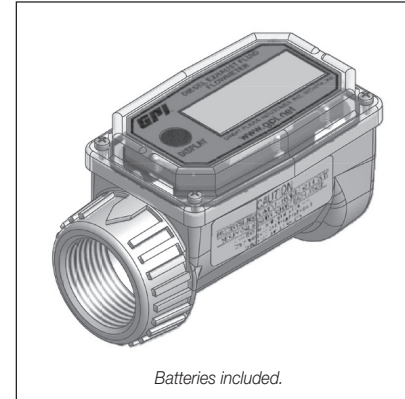
The meter is virtually maintenance-free. However, it is important the rotor moves freely. Keep the meter clean and free of contaminants.

Remove any debris or deposits from the rotor using a soft brush or small probe. Be careful not to damage the turbine rotor or supports.

CAUTION

Blowing compressed air through the turbine assembly could damage the rotor.

Owner's Manual for 01N31GM-U Electronic Flowmeter



Batteries included.

IMPORTANT NOTICE

Use this meter with water, DEF or similar fluids. Do not use with flammable liquids, fuels or chemicals that are not compatible with the wetted materials found in the Specifications section.

This meter is not legal for trade applications. The meter is sensitive to electrical "noise" and may not operate correctly if located near some electrical equipment.

CALIBRATION

This meter has a permanent factory calibration for light viscosity fluids. If installed and used correctly, inaccuracies of no greater than $\pm 5\%$ will be obtained.

INSTALLATION

This meter may be installed in-line either horizontally or vertically or at the end of the hose adjacent to the nozzle, if present. Installation to metal connections is not recommended.

The use of pipe sealant or PTFE tape is acceptable. Review your application for suitability.

Hand tighten the meter at the housing ends. Do not use a wrench or similar tools to tighten the meter housing. The plastic housing could be damaged.

OPERATION

Batch and Cumulative Totals

The meter maintains two totals. The batch total may be reset to measure flow during a single use. The cumulative total provides continuous measurement and may not be manually reset. The batch total is labeled as TTL1. The cumulative total is labeled TTL2.

When the cumulative total reaches a maximum reading of 9999, it will automatically reset to zero.

Press the DISPLAY button briefly to switch between the batch and cumulative total.

Activate the Meter

Turn the meter ON by starting water flow or briefly pressing the DISPLAY button. The meter will display the batch or cumulative total from last use.

Press DISPLAY briefly to display the batch total. Hold the DISPLAY button down for three seconds to reset the batch total to zero.

The meter is programmed to turn off automatically if not used for about one minute.

MAINTENANCE

Proper handling and care will extend the life and service of the meter.

Turbine Rotor

The meter is virtually maintenance-free. However, it is important the rotor moves freely. Keep the meter clean and free of contaminants.

Remove any debris or deposits from the rotor using a soft brush or small probe. Be careful not to damage the turbine rotor or supports.

CAUTION

Blowing compressed air through the turbine assembly could damage the rotor.

Battery Replacement

The meter is powered by two AAA alkaline batteries which may be replaced while the meter is installed. When batteries are removed or lose power, the batch and cumulative totals reset to zero but the factory calibration is retained.

If the meter display becomes dim or blank, replace the batteries as follows:

1. Remove the four Phillips-head screws from the face of the meter and lift the faceplate from the turbine.
2. Remove the old batteries and clean any corrosion from the terminals.
3. Install new batteries. Make sure the positive post is in the correct position.
4. When the batteries are replaced, the faceplate will power ON. Check the display to ensure normal functions have resumed before assembling again.
5. Reseat batteries, if necessary, and position the faceplate on the turbine housing. To avoid moisture damage, make sure the seal is fully seated. Tighten the four screws on the faceplate.

SPECIFICATIONS

Model:	01N31GM-U
Unit of Measure:	Gallons
Flowrate:	3 to 30 GPM
Working Pressure:	150 PSIG
Operating Temperature:	+14°F to +130°F
Storage Temperature:	-40°F to +158°F
Threads:	1 inch NPT
Housing:	Nylon
Bearings:	Ceramic
Shaft:	Tungsten Carbide
Rotor:	Nylon
Signal Generators:	Ferrite
Rings:	316 Stainless Steel

Battery Replacement

The meter is powered by two AAA alkaline batteries which may be replaced while the meter is installed. When batteries are removed or lose power, the batch and cumulative totals reset to zero but the factory calibration is retained.

If the meter display becomes dim or blank, replace the batteries as follows:

1. Remove the four Phillips-head screws from the face of the meter and lift the faceplate from the turbine.
2. Remove the old batteries and clean any corrosion from the terminals.
3. Install new batteries. Make sure the positive post is in the correct position.
4. When the batteries are replaced, the faceplate will power ON. Check the display to ensure normal functions have resumed before assembling again.
5. Reseat batteries, if necessary, and position the faceplate on the turbine housing. To avoid moisture damage, make sure the seal is fully seated. Tighten the four screws on the faceplate.

SPECIFICATIONS

Model:	01N31GM-U
Unit of Measure:	Gallons
Flowrate:	3 to 30 GPM
Working Pressure:	150 PSIG
Operating Temperature:	+14°F to +130°F
Storage Temperature:	-40°F to +158°F
Threads:	1 inch NPT
Housing:	Nylon
Bearings:	Ceramic
Shaft:	Tungsten Carbide
Rotor:	Nylon
Signal Generators:	Ferrite
Rings:	316 Stainless Steel

Limited Warranty Policy

Great Plains Industries, Inc. 5252 E. 36th Street North, Wichita, KS USA 67220-3205, hereby provides a limited warranty against defects in material and workmanship on all products manufactured by Great Plains Industries, Inc. This product includes a 1 year warranty from date of purchase as evidenced by the original sales receipt. A 30 month warranty from product date of manufacture will apply in cases where the original sales receipt is not available. Reference product labeling for the warranty expiration date based on 30 months from date of manufacture. Manufacturer's sole obligation under the foregoing warranties will be limited to either, at Manufacturer's option, replacing or repairing defective Goods (subject to limitations hereinafter provided) or refunding the purchase price for such Goods theretofore paid by the Buyer, and Buyer's exclusive remedy for breach of any such warranties will be enforcement of such obligations of Manufacturer. The warranty shall extend to the purchaser of this product and to any person to whom such product is transferred during the warranty period.

This warranty shall not apply if:

- A. the product has been altered or modified outside the warrantor's duly appointed representative;
- B. the product has been subjected to neglect, misuse, abuse or damage or has been installed or operated other than in accordance with the manufacturer's operating instructions.

To make a claim against this warranty, contact the GPI Customer Service Department at 316-686-7361 or 800-835-0113. Or by mail at:

Great Plains Industries, Inc.
5252 E. 36th St. North
Wichita, KS, USA 67220-3205

GPI will step you through a product troubleshooting process to determine appropriate corrective actions.

GREAT PLAINS INDUSTRIES, INC., EXCLUDES LIABILITY UNDER THIS WARRANTY FOR DIRECT, INDIRECT, INCIDENTAL AND CONSEQUENTIAL DAMAGES INCURRED IN THE USE OR LOSS OF USE OF THE PRODUCT WARRANTED HEREUNDER.

The company herewith expressly disclaims any warranty of merchantability or fitness for any particular purpose other than for which it was designed.

This warranty gives you specific rights and you may also have other rights which vary from U.S. state to U.S. state.

Note: In compliance with MAGNUSON MOSS CONSUMER WARRANTY ACT – Part 702 (governs the resale availability of the warranty terms).

Limited Warranty Policy

Great Plains Industries, Inc. 5252 E. 36th Street North, Wichita, KS USA 67220-3205, hereby provides a limited warranty against defects in material and workmanship on all products manufactured by Great Plains Industries, Inc. This product includes a 1 year warranty from date of purchase as evidenced by the original sales receipt. A 30 month warranty from product date of manufacture will apply in cases where the original sales receipt is not available. Reference product labeling for the warranty expiration date based on 30 months from date of manufacture. Manufacturer's sole obligation under the foregoing warranties will be limited to either, at Manufacturer's option, replacing or repairing defective Goods (subject to limitations hereinafter provided) or refunding the purchase price for such Goods theretofore paid by the Buyer, and Buyer's exclusive remedy for breach of any such warranties will be enforcement of such obligations of Manufacturer. The warranty shall extend to the purchaser of this product and to any person to whom such product is transferred during the warranty period.

This warranty shall not apply if:

- A. the product has been altered or modified outside the warrantor's duly appointed representative;
- B. the product has been subjected to neglect, misuse, abuse or damage or has been installed or operated other than in accordance with the manufacturer's operating instructions.

To make a claim against this warranty, contact the GPI Customer Service Department at 316-686-7361 or 800-835-0113. Or by mail at:

Great Plains Industries, Inc.
5252 E. 36th St. North
Wichita, KS, USA 67220-3205

GPI will step you through a product troubleshooting process to determine appropriate corrective actions.

GREAT PLAINS INDUSTRIES, INC., EXCLUDES LIABILITY UNDER THIS WARRANTY FOR DIRECT, INDIRECT, INCIDENTAL AND CONSEQUENTIAL DAMAGES INCURRED IN THE USE OR LOSS OF USE OF THE PRODUCT WARRANTED HEREUNDER.

The company herewith expressly disclaims any warranty of merchantability or fitness for any particular purpose other than for which it was designed.

This warranty gives you specific rights and you may also have other rights which vary from U.S. state to U.S. state.

Note: In compliance with MAGNUSON MOSS CONSUMER WARRANTY ACT – Part 702 (governs the resale availability of the warranty terms).



www.gpipumps.net
1-800-835-0113

GPI is a registered trademark of Great Plains Industries, Inc.
© 2009 GREAT PLAINS INDUSTRIES, INC., Wichita, KS



www.gpipumps.net
1-800-835-0113

GPI is a registered trademark of Great Plains Industries, Inc.
© 2009 GREAT PLAINS INDUSTRIES, INC., Wichita, KS