

SAFETY INFORMATION

Please read and understand this manual before attempting to assemble, operate or install the product.

⚠ DANGER

IN THE EVENT OF A TRAFFIC COLLISION, IMPROPERLY MOUNTED TOOL BOXES MAY CAUSE INJURY OR DEATH. ENSURE TOOL BOX IS SECURELY MOUNTED BEFORE OPERATING MOTOR VEHICLE.

⚠ WARNING

TOOL BOX MUST BE SECURELY MOUNTED TO PREVENT MOVEMENT OR SHIFTING.

⚠ CAUTION

If your truck has a bed liner, you will have to use these instructions as a guide only. Due to the many differences in bed liner thickness and fit, longer attaching devices are recommended. Ensure that your truck tool box is mounted securely to the truck, not the bed liner.

PREPARATION

Before beginning installation of product, make sure all parts are present. Compare parts with package contents list. If any part is missing or damaged, do not attempt to assemble the product.

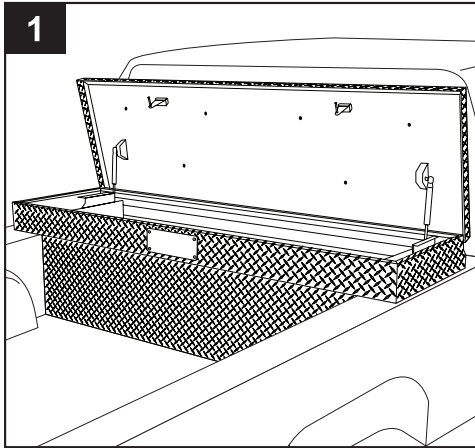
Estimated Mounting Time: 30 minutes

Hardware Required for Mounting (not included): (2) 3/8 in. self-tapping sheet metal screws,
(2) 3/8 in. fender washers

Tools Required for Mounting (not included): Cordless drill with 1/4 in. hex drive bit, or 1/4 in. hex head screwdriver

Helpful Tools (not included): Felt-tip marker, tape measure

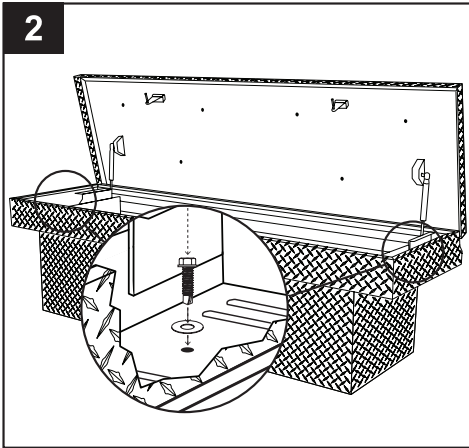
MOUNTING INSTRUCTIONS



1. Place box on top of truck bed rail and move to desired position. Support the back of the box while mounting to the truck.

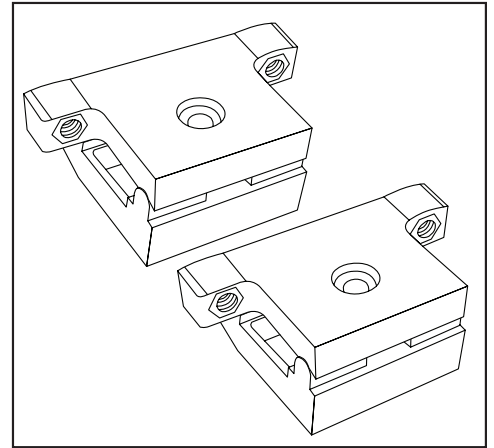
OPTIONAL:

Use a tape measure to align the box evenly between the rails, ensuring equal spacing between the end of the box and the lip of the rail on each side. Use a felt tip marker to mark the drill points inside the box.



2. On each end of the tool box, secure with 3/8 in. self-tapping sheet metal screw and 3/8 in. fender washer in top lip of tool box, 1 in. from end of box. Screws should be securely anchored through box into bed rail of truck.

NOTE: Mounting hardware not included.



DRILL-FREE MOUNTING OPTION

For a drill-free mounting solution, ask your retailer about an optional Grip-Rite No-Drill Truck Box Mounting Kit.

CARE AND MAINTENANCE

Wash and wax the tool box at the same time as the pickup. For uncoated aluminum models, use a gentle aluminum or mag wheel polish to maintain shine. A light lubrication of oil is recommended for the hinge after washing. Soap, water, and sunlight tend to remove the oil placed on the hinge prior to shipment.

To maintain the finish of your chrome pull handle latches, wash them with mild soap and water whenever you wash your truck. Do not use abrasive, ammonia-based, or acid cleaning solutions.

To keep your pull handle latches looking new, use a light coat of chrome polish once every 3 months. If you live near the ocean or where salt is used on the roads, it is highly recommended you follow the instructions listed above.

WARRANTY STATEMENT

This LIMITED WARRANTY is for the original retail purchaser of this product. (The retailer will repair or replace any product found to be defective in materials.) Components such as but not limited to shocks, trays, locks, and latches also carry a limited warranty. This warranty is effective from the date of purchase by the original retail purchaser. This warranty shall not apply if the product has been subject to misuse, abuse, improper installation, modification, or improper maintenance. This warranty does not cover the cost of installation, removal, labor, inconvenience, or other incidental charges that may be incurred. The retail purchaser assumes all risk and liability whatsoever for the installation and use of the tool box.

THE RETAILER AND MANUFACTURER SHALL NOT BE LIABLE FOR ANY INCIDENTAL OR CONSEQUENTIAL DAMAGES ARISING OUT OF ANY BREACH OF THIS WARRANTY, NOR SHALL THE DAMAGES EXCEED THE AMOUNT OF THE PURCHASE PRICE PAID BY THE ORIGINAL PURCHASER. THE RETAILER MAKES NO OTHER WARRANTIES, EXPRESSED OR IMPLIED, AND ANY WARRANTY OF MERCHANTABILITY OR FITNESS FOR A PARTICULAR PURPOSE WHICH EXCEEDS THE FORGOING IS HEREBY DISCLAIMED AND EXCLUDED FROM THESE WARRANTIES.

These warranties are valid only when the original purchaser retains ownership of the tool box and products are attached to the original equipment upon which they are installed.

These truck tool boxes are designed and sold for storage purposes only and should not be considered as protection for the vehicle or passengers in the event of an accident. The retailer assumes no liability for injury, loss, incidental or consequential damages in the event of a collision or rollover.

The powder coating on aluminum truck tool boxes, is warranted from the original date of purchase. This warranty is limited to the peeling of the original powder coating from the aluminum surface to which it was applied. This warranty DOES NOT cover scratches, chipping, or fading of the original coating due to normal use and/or abuse of the product.

The warranties, both expressed and implied, of manufacturers of components used in these tool boxes shall apply to such components.

In the event of any breach of any warranty covering these tool boxes, the sole and exclusive remedy of original retail purchaser shall be limited to the repair or replacement of defective products or parts. Removal of the date of manufacture label placed on the product will void the warranty. Installation of the tool box in any manner other than that recommended by the retailer will void the warranty.

For more information about this warranty, obtaining replacement parts, installation, or service, please contact the retailer from where the product was purchased. Proof of purchase, showing date of sale, must be retained by the original retail purchaser for a valid warranty claim to be made on any tool box product.