

ESSICKAIR®

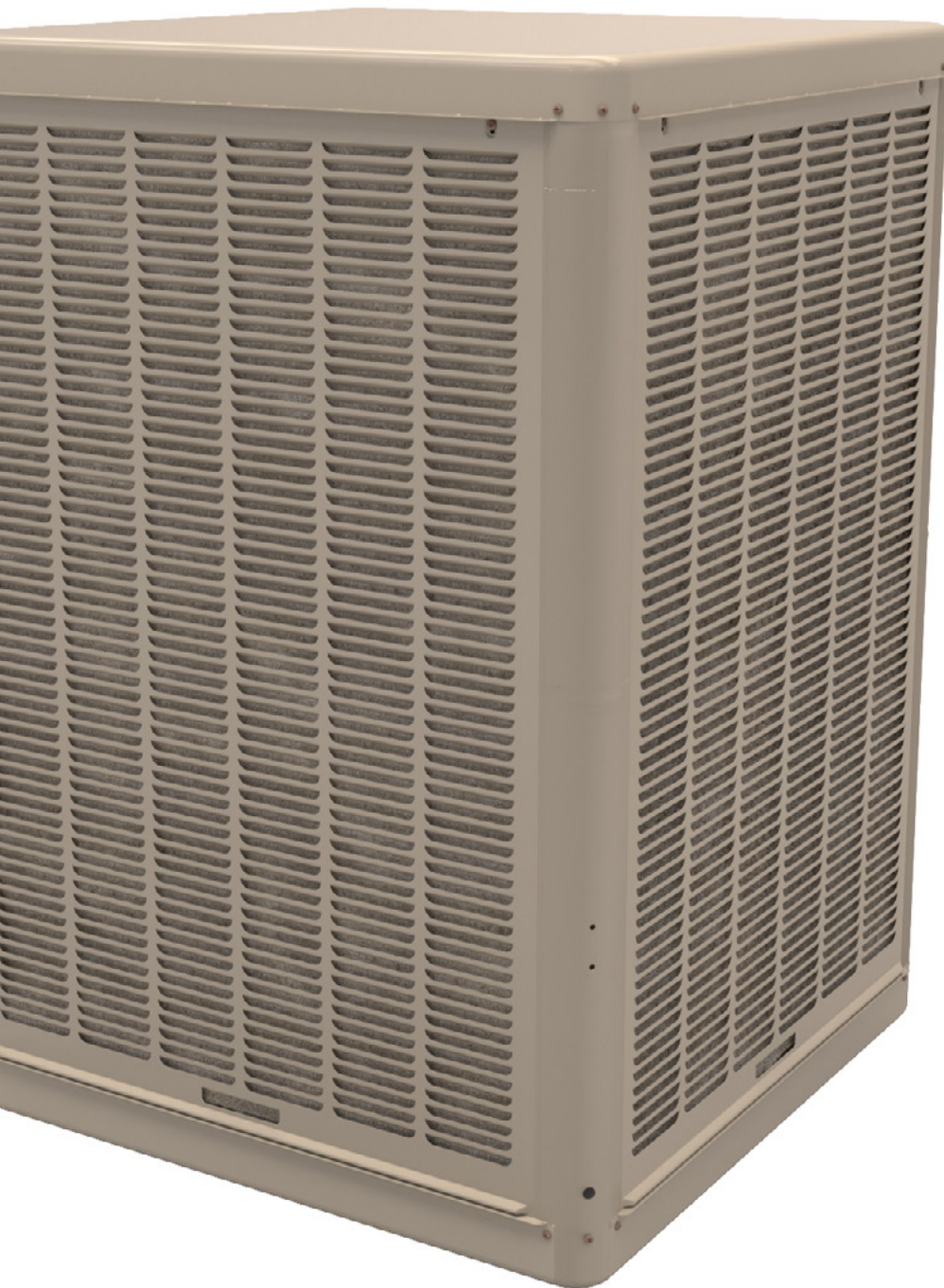
ASPEN EVAPORATIVE COOLERS



COMMERCIAL EVAPORATIVE COOLERS

Essick Commercial Aspen Evaporative Coolers are designed to provide years of economical cooling in large facilities where refrigerated systems would be cost prohibitive.

Our coolers are made from heavy-gauge galvanized steel, which is chemically treated and covered with an electrostatically applied polyester finish to protect the cooler from scratches and corrosion.



OUR COOLER FINISH MEETS OR EXCEEDS REQUIREMENTS FOR THE FOLLOWING TESTS:

- 1000-Hour Salt Spray Test
ASTM B117
- Abrasion Resistance Test
ASTM 4060-84
- Impact Resistance Test
ASTM D2794
- 2400-Hour Immersion Test
ASTM D870
- Adhesion Test
ASTM D3359

MOTOR SPECIFICATIONS¹

MOTOR PART #	HP	SPEED	VOLTS	PHASE	MOTOR AMPS	SHAFT DIA	MOTOR WGT (LBS)
110455	¾	1	115/208-230	1	13.8/7.6-6.9	⅝	24
110480	¾	2	230	1	6.9	½	29
110461	¾	1	208-230/460	3	3.5-3.2/1.6	⅝	20
110457	1	1	115/230	1	16/8	⅝	28
110458	1	2	230	1	8	⅝	29
110462-9	1	1	208-230/460	3	4.6-4.2/2.1	⅞	34
110459-1	1½	1	115/208-230	1	20/11-10	⅝	41
110463-9	1½	1	208-230/460	3	6.6-6/3	⅞	40
110460-1	2	1	115/208-230	1	24/13.2-12	⅝	49
110464-9	2	1	208-230/460	3	7.5-6.8/3.4	⅞	44
110465-9	3	1	208-230/460	3	10.6-9.6/4.8	1⅝	60
110466-9	5	1	208-230/460	3	16.7-15.2/7.6	1⅝	69

TYPICAL WATER USAGE AT “0” STATIC PRESSURE²

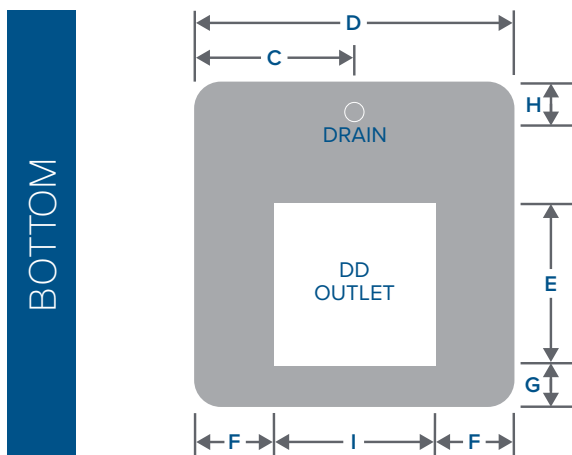
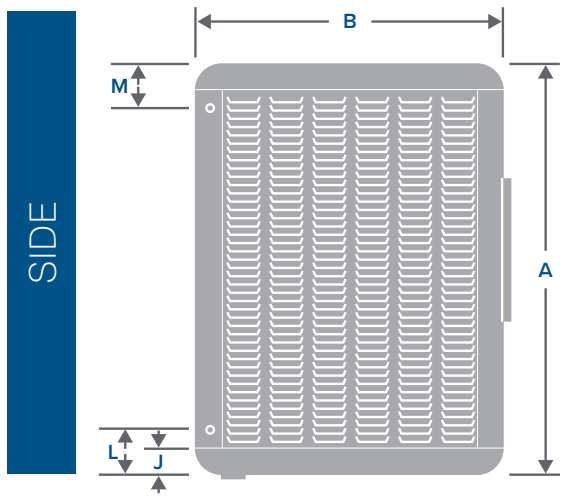
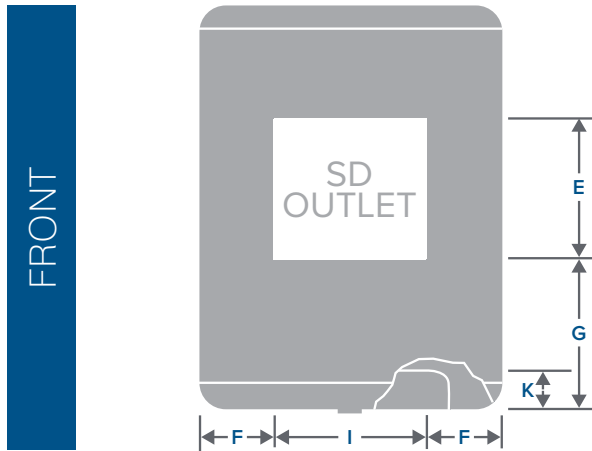
Down Discharge											
		75/85 DD		95 DD		10/12 DD			14/21 DD		
HP	¾	1	1½	2	1	1½	2	1½	2	3	5
GPH	18	20	23	25	28	32	35	40	44	50	60
Side Discharge											
		75/85 SD		95 SD		10/12 SD			14/21 SD		
HP	¾	1	1½	2	1	1½	2	1½	2	3	5
GPH	18	19	22	25	26	29	32	39	43	47	58

PUMP SPECIFICATIONS³

	110467-1	110468-1	110467	110468
UNIT	75/85 & 95	75/85 & 95	10/12 & 14/21	10/12 & 14/21
VOLTS	115	230	115	230
HERTZ	60	60	60	60
AMPS	1.2	0.8	1.2	0.8
WATTS	73	77	73	77
RPM	3000	3000	3000	3000
HP	⅓ ₅₀	⅓ ₅₀	¼ ₄₀	¼ ₄₀
PH	1	1	1	1
GPM	3.8	3.8	4.6	4.6
HEAD	5 FT.	5 FT.	5 FT.	5 FT.

1. Amperage (amps) shown is from the National Electrical Code. Use the amps shown on the motor nameplate to determine the motor protector. 2. Water usage varies by the unit location and temperature. 3. High performance, thermally protected, UL Classified.

75/85 & 95 EVAPORATIVE COOLERS



DIMENSIONS (in inches)

	75/85DD & 95DD	75/85SD & 95 SD
CABINET SIZE		
A	53 5/8	53 5/8
B	41 1/4	41 1/4
D	41 1/4	41 1/4
ELECTRICAL		
M	4 1/2	4 1/2
DUCT OPENING		
E	21 3/4	21 3/4
I	21 3/4	21 3/4
DUCT LOCATION		
G	4 7/8	17
F	9 3/4	9 3/4
DRAIN LOCATION		
H	5 3/4	8 1/2
C	20 5/8	16 1/2
WATER SERVICE		
L	5 7/8	5 7/8
BOTTOM PAN		
J	4	4
DUCT TRANSITION		
K	4 3/8	-

PERFORMANCE¹

Certified air delivery at .1" increments of external static pressure (inches static pressure water gauge)

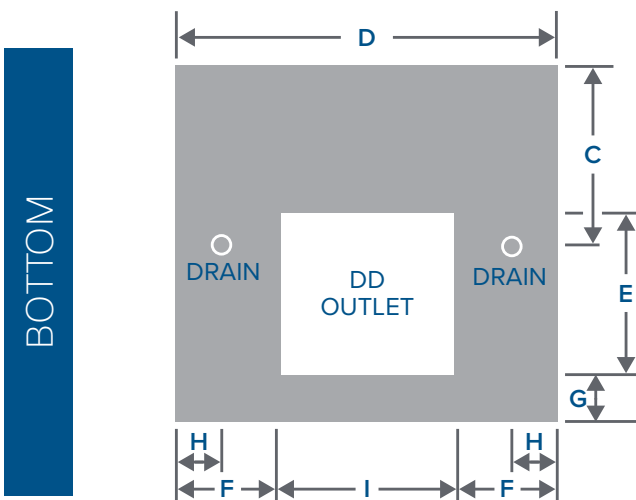
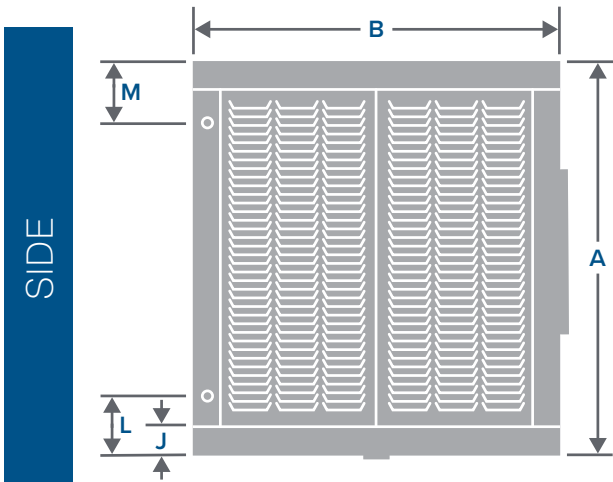
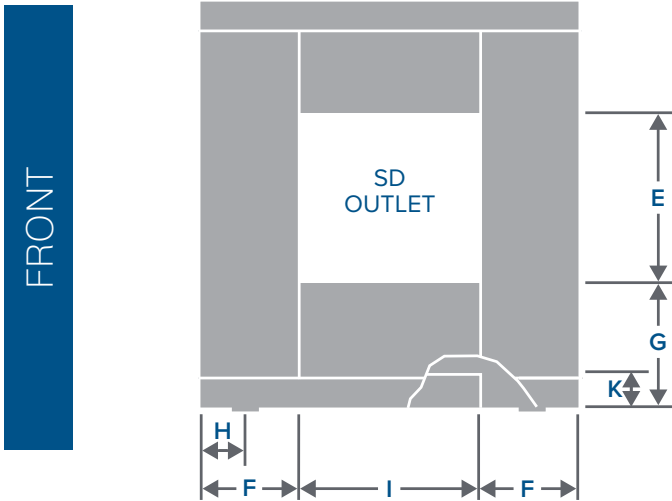
	Down Discharge				Side Discharge			
	75/85 DD	95DD	75/85 SD	95 SD				
BHP	¾	1	1½	2	¾	1	1½	2
OPERATING WEIGHT	397	403	413	417	450	456	466	470
0" CFM	5705	6279	7653	8424	5905	6498	6868	7558
0" RPM	325	358	378	416	317	349	420	462
0.1" CFM	5324	5929	7453	8247	5670	6289	6724	7429
0.1" RPM	336	368	388	425	330	360	424	466
0.2" CFM	5016	5636	7212	8035	5405	6054	6572	7291
0.2" RPM	349	379	400	436	342	372	429	470
0.3" CFM	4724	5367	6949	7802	5110	5799	6411	7148
0.3" RPM	362	391	414	448	355	383	436	475
0.4" CFM	4412	5098	6683	7560	4795	5523	6246	7002
0.4" RPM	375	403	428	460	369	395	443	482
0.5" CFM	4053	4807	6417	7320	4456	5233	6071	6850
0.5" RPM	391	415	441	473	385	408	452	489
0.6" CFM	3613	4480	6158	7078	4089	4922	5885	6688
0.6" RPM	409	429	454	485	403	422	463	497
0.7" CFM	3065	4097	5893	6840	3705	4592	5683	6522
0.7" RPM	434	446	467	497	425	439	474	507
0.8" CFM	-	3629	5629	6602	3302	4245	5464	6345
0.8" RPM	-	466	481	509	451	458	487	517
0.9" CFM	-	-	5357	6363	-	3882	5227	6156
0.9" RPM	-	-	495	521	-	480	501	528
1" CFM	-	-	5068	6122	-	-	4965	5952
1" RPM	-	-	510	533	-	-	516	540

¹ Performance certified is for installation type B: free inlet, ducted outlet. Performance ratings do not include the effects of appurtenances (accessories). Power rating (BHP) does not include transmission losses.

SHEAVE SELECTION

HP	BORE	75/85 DD	95 DD	75/85 SD	95 SD
¾	½	110279-002 (Static < 0.6)	-	110279-002 (Static < 0.6)	-
¾	½	110279-004 (Static > 0.2)	-	110279-004 (Static > 0.3)	-
¾	⅝	110308 (Static < 0.6)	-	110308 (Static < 0.6)	-
¾	⅝	110279-003 (Static > 0.2)	-	110279-003 (Static > 0.3)	-
1	⅝	110279-003	-	110279-003 (Static < 0.8)	-
1	⅝	-	-	10306-1 (Static > 0.6)	-
1	⅞	110302	-	110302 (Static < 0.8)	-
1	⅞	-	-	110299 (Static > 0.6)	-
1 ½	⅝	-	110279-003 (Static < 0.7)	-	110279-003 (Static < 0.6)
1 ½	⅝	-	110306-1 (Static > 0.4)	-	110306-1 (Static > 0.2)
1 ½	⅞	-	110302 (Static < 0.7)	-	110302 (Static < 0.6)
1 ½	⅞	-	110299 (Static > 0.4)	-	110299 (Static > 0.2)
2	⅝	-	110306-1	-	110306-1
2	⅞	-	110299	-	110299

10/12 & 14/21 EVAPORATIVE COOLERS



DIMENSIONS (in inches)

	10/12 DD	10/12 SD	14/21 DD	14/21 SD
CABINET SIZE				
A	52½		61¼	
B	50		62	
D	50		62	
ELECTRICAL				
M	6 1/16		6 1/16	
DUCT OPENING				
E	26 7/8		31 3/4	
I	26 7/8		31 3/4	
DUCT LOCATION				
G	4	20½	7	22½
F	11 9/16		15 1/8	
DRAIN LOCATION				
H	4		4	
C	25		31	
WATER SERVICE				
L	7 9/16		7 9/16	
BOTTOM PAN DEPTH				
J	4		4	
DUCT TRANSITION				
K	4 9/16	-	4 9/16	-

PERFORMANCE¹

Certified air delivery at .1" increments of external static pressure
(inches static pressure water gauge)

	Down Discharge							Side Discharge						
	10/12 DD			14/21 DD				10/12 SD			14/21 SD			
BHP	1	1 ½	2	1 ½	2	3	5	1	1 ½	2	1 ½	2	3	5
OPERATING WEIGHT	652	662	666	936	940	979	983	719	729	733	1040	1044	1083	1087
0" CFM	9225	10575	11625	13245	14607	16711	19806	8567	9807	10794	12386	13633	15606	18502
0" RPM	246	282	310	214	236	270	320	261	299	329	226	249	285	338
0.1" CFM	8673	10004	11193	12690	14106	16299	19481	8052	9347	10374	11713	13016	15063	18044
0.1" RPM	258	293	320	224	245	278	327	275	311	340	237	259	294	346
0.2" CFM	8215	9680	10793	11955	13520	15726	19043	7595	8939	9994	11083	12439	14551	17598
0.2" RPM	274	306	331	236	255	285	333	287	322	350	247	268	302	353
0.3" CFM	7607	9213	10360	11121	12692	15138	18606	7140	8544	9630	10451	11868	14050	17167
0.3" RPM	286	318	342	248	266	295	340	299	332	360	257	277	310	360
0.4" CFM	7098	8822	9986	10415	12093	14557	18088	6659	8144	9269	9785	11281	13553	16749
0.4" RPM	300	329	354	260	278	306	348	313	343	369	267	286	318	366
0.5" CFM	6581	8315	9551	9789	11388	13897	17544	6132	7729	8908	9067	10674	13042	16334
0.5" RPM	314	342	364	272	288	315	357	328	354	379	279	296	325	372
0.6" CFM	6038	7906	9186	9032	10728	13379	16983	5557	7282	8522	8284	10025	12522	15906
0.6" RPM	330	354	376	285	298	325	365	346	367	390	294	307	334	379
0.7" CFM	-	7372	8755	8016	10042	12821	16558	-	6805	8130	7427	9313	11969	15478
0.7" RPM	-	366	386	300	310	334	374	-	382	401	311	320	343	386
0.8" CFM	-	6847	8386	-	9337	12246	16079	-	6274	7704	-	8557	11390	15035
0.8" RPM	-	380	398	-	323	343	382	-	399	414	-	334	353	393
0.9" CFM	-	-	7904	-	8694	11583	15528	-	-	7250	-	7758	10777	14581
0.9" RPM	-	-	409	-	339	353	389	-	-	429	-	351	364	400
1" CFM	-	-	7434	-	-	11002	15110	-	-	6753	-	-	10133	14115
1" RPM	-	-	423	-	-	363	397	-	-	445	-	-	376	408

¹ Performance certified is for installation type B: free inlet, ducted outlet. Performance ratings do not include the effects of appurtenances (accessories). Power rating (BHP) does not include transmission losses.

SHEAVE SELECTION

HP	BORE	10/12 DD	14/21 DD	10/12 SD	14/21 SD
1	5/8	110308	-	110308	-
1	7/8	110309	-	110309	-
1 ½	5/8	110279-003 (Static < 0.6)	110286	110279-003 (Static < 0.5)	110286
1 ½	5/8	110306-1 (Static > 0.4)	-	110306-1 (Static > 0.3)	-
1 ½	7/8	110302 (Static < 0.6)	110290	110302 (Static < 0.5)	110290
1 ½	7/8	110299 (Static > 0.4)	-	110299 (Static > 0.3)	-
2	5/8	110306-1	110286 (Static > 0.6)	110306-1 (Static < 0.8)	110286 (Static > 0.6)
2	5/8	-	110285 (Static < 0.4)	-	110285 (Static < 0.3)
2	7/8	110299	110290 (Static > 0.6)	110299 (Static > 0.8)	110290 (Static > 0.6)
2	7/8	-	110289 (Static < 0.4)	110307-1 (Static > 0.6)	110289 (Static < 0.3)
3	1 ½	-	110291	-	110291
5	1 ½	-	110291 (Static < 0.6)	-	110291 (Static < 0.4)
5	1 ½	-	110304-1 (Static > 0.4)	-	110304-1 (Static > 0.1)

RESIDENTIAL EVAPORATIVE COOLERS

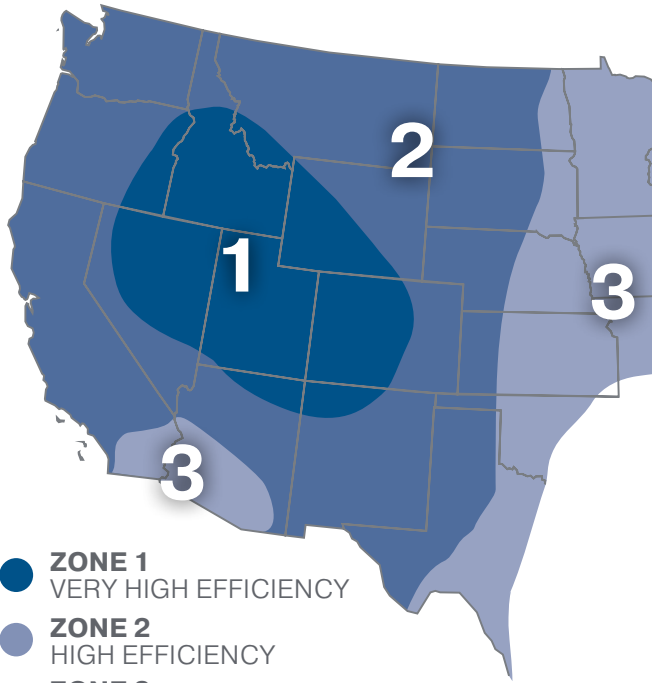
Essick residential evaporative coolers are built for high performance, easy installation, and low maintenance. Before shipment, each cooler must pass performance tests and meet quality control standards.



OUR ASPEN RESIDENTIAL EVAPORATIVE COOLERS FEATURE

- Heavy-gauge galvanized steel cabinet that resists weather and impact damage
- One-piece bottom pan for leak-proof operation and low maintenance
- Unique bolted construction for easy interior access
- Includes a 1-year limited warranty on parts
- Bottom pan includes a 12-year limited warranty against leakage due to rust-through
- Built in the USA from domestic and imported components

COOLING EFFICIENCY BY ZONE



- **ZONE 1**
VERY HIGH EFFICIENCY
- **ZONE 2**
HIGH EFFICIENCY
- **ZONE 3**
MODERATE EFFICIENCY

MINUTES PER AIR CHANGE

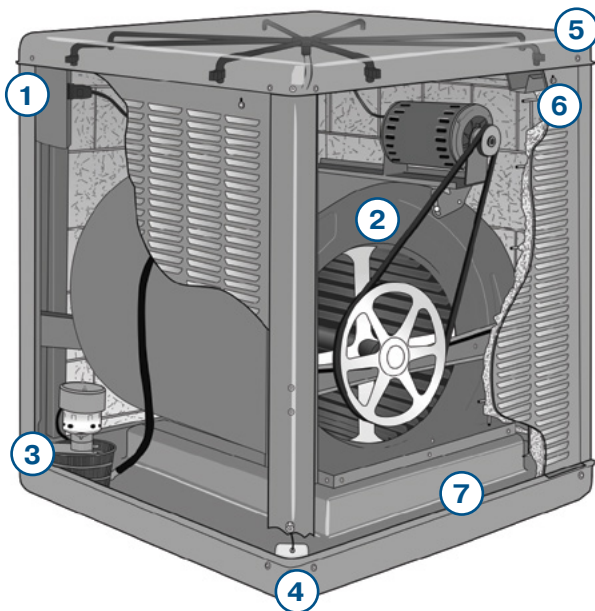
Interior Heat Load	Exterior Heat Load	Zones		
		1	2	3
High	Exposed	2	1.5	1.3
High	Insulated	3	2	1.5
Normal	Exposed	3	2	1.5
Normal	Insulated	4	3	2

1. Measure your duct opening if replacing an existing unit. Make sure the model is a fit for your duct opening.
2. Identify your zone on the Cooling Efficiency map.
3. Determine minutes per air change using the chart.

“High” interior heat load refers to areas near high heat sources like equipment. “Normal” refers to areas typical of a home or office.

“Exposed” exterior heat load refers to walls and/or roofs exposed to heat or poor insulation. “Insulated” refers to walls and roofs that are well insulated and/or shaded.

4. Calculate cubic feet to be cooled.
5. Determine CFM: cubic feet divided by minutes per air change.
6. Use the cooler and motor specification charts to determine the right unit for your home’s zone, square footage, and CFM. If the required square footage falls between two models, select the larger model.
7. We recommend a maximum pump size of 7,500 CFM. Exceeding this size may damage your cooler.



- 1 Junction Box**
The junction box is strategically located for convenient plug-in. It can be moved from corner to corner for customized installation.
- 2 Machine Balanced Blower**
Every unit is balanced to ensure smooth, quiet operation and maximum air delivery.
- 3 Water Pump**
The thermally protected pump is permanently lubricated for years of worry-free use.

The water pump can be removed easily for quick cleaning and servicing.
- 4 Float Valve**
The float valve can be easily adjusted.
- 5 Cabinet**
The unique, bolted cabinet makes access and maintenance easy.
- 6 Trough**
The water trough is adjustable for even distribution of water to ensure maximum cooling performance.
- 7 Bottom Pan**
The bottom pan helps prevent leakage and corrosion with its one-piece design that eliminates the need for seams, spot welds, and sealing materials.

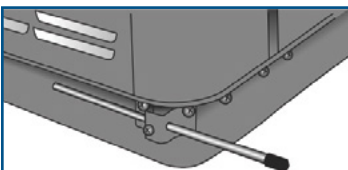
WINDOW EVAPORATIVE COOLERS

Our fully assembled evaporative window coolers can help lower indoor temperatures by as much as 15-20° F in dry, arid climates. Essick evaporative window coolers have low maintenance costs and use up to 75% less electricity than traditional air conditioning units.



OUR WINDOW UNITS FEATURE

- Fully assembled with motor installed and tested before shipment
- The RN35W, RN46W, and RN50W all include a remote control and can convert to a vertical grille, with a conversion kit (free upon request)

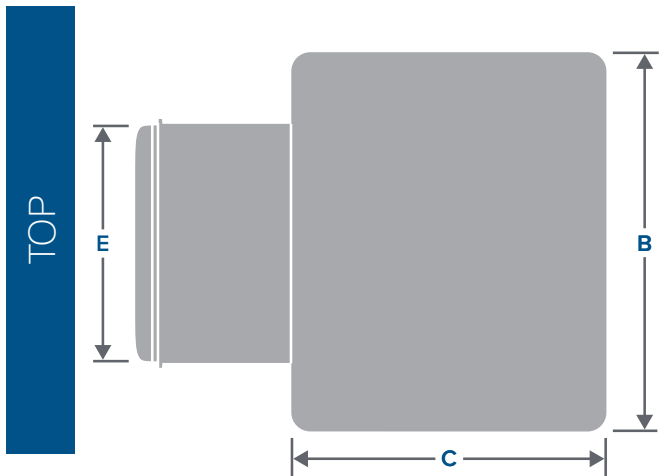
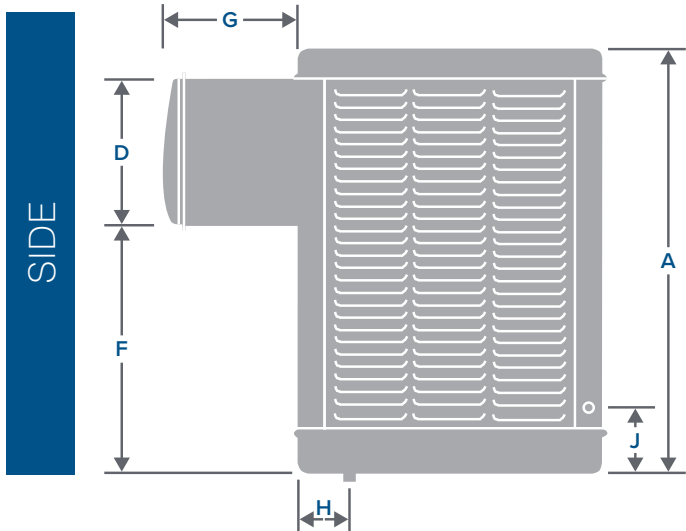
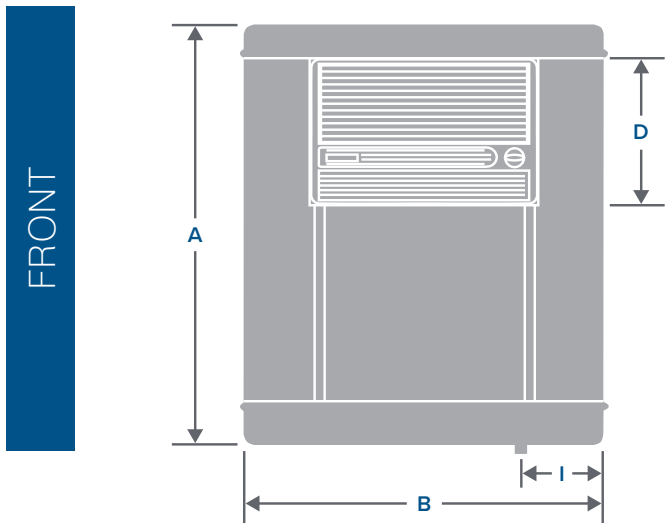


Window Unit Leveling Leg

The easy to install leveling leg kit provides additional support (for window units only).



SPECIFICATIONS



SHIPPING WEIGHT
OPERATING WEIGHT

CABINET SIZE (in inches)

	N28W	RN35W	RN46W	RN50W
A	27	30 1/2	34 1/2	34 1/2
B	24	31 1/2	34 1/8	34 1/8
C	17	21	34 1/8	34 1/8

TUNNEL OPENING (in inches)

	N28W	RN35W	RN46W	RN50W
D	11 29/32	14 7/8	14 7/8	14 7/8
E	22 1/8	21 3/4	21 3/4	21 3/4
F	13 9/16	13 1/4	17 5/16	17 5/16
G	13 3/16	12 11/16	12 11/16	12 11/16

DRAIN OUTLET (in inches)

	N28W	RN35W	RN46W	RN50W
H	5 1/2	17	25 3/8	25 3/8
I	5 7/8	15 3/4	23 1/2	23 1/2

WATER INLET (in inches)

	N28W	RN35W	RN46W	RN50W
J	4 1/2	5	5 3/16	5 3/16

MEDIA PAD (in inches)

	N28W	RN35W	RN46W	RN50W
NUMBER REQUIRED	2 + 1	2 + 1	3	3
HEIGHT	21	21	25	25
WIDTH	13	20	17	27

COOLING SQUARE FOOTAGE*

	N28W	RN35W	RN46W	RN50W
ZONE 1	600	900	1400	1600
ZONE 2	500	700	1100	1200
ZONE 3	400	500	700	800

MOTOR SPECIFICATIONS

	N28W	RN35W	RN46W	RN50W
HP	1/12	1/3	1/3	1/2
PHASE	1	1	1	1
VOLTS	115	115	115	115
SPEEDS	2	2	2	2
BLOWER WHEEL	(2) 8" x 4 1/2"	12" X 11"	16" X 16"	16" X 16"

PULLEY DIAMETER X BORE (in inches)

	N28W	RN35W	RN46W	RN50W
BLOWER	-	8 X 3/4	10 X 1	10 X 1
MOTOR	-	2 1/2 X 1/2	2 3/4 X 1/2	3 X 1/2

BELT SIZE (in inches)

	N28W	RN35W	RN46W	RN50W
Direct Drive	-	48	56	56

* Square footage estimates are approximate. If the cooling square footage falls between two models, select the larger model.

SIDE DRAFT EVAPORATIVE COOLERS



OUR SIDE DRAFT UNITS FEATURE

- Environmentally friendly aspen media
- Convenient junction box for easy motor and pump connection
- Motor sold separately. Use the table below to match the motor and cooler to your needs.



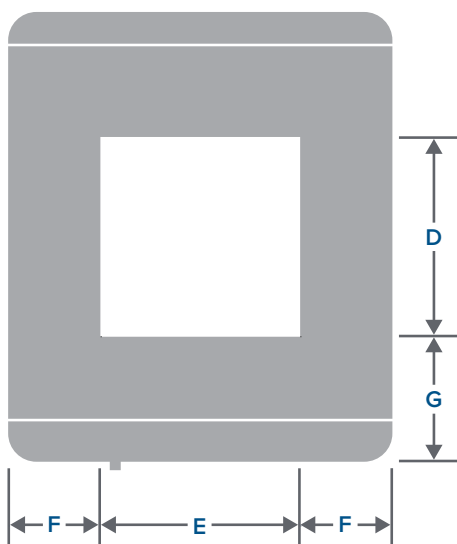
SEPARATE MOTORS ALLOW YOU TO SELECT AND PURCHASE THE EXACT MOTOR YOU NEED FOR YOUR HOME

MOTOR SPECIFICATIONS

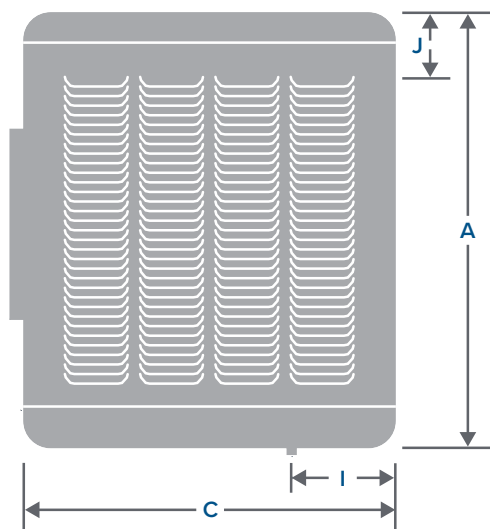
	N30S	N40/45S		N55/65S	
COOLING SQUARE FOOTAGE*					
ZONE 1	1000	1400	1700	2000	2300
ZONE 2	800	1100	1300	1600	1800
ZONE 3	600	800	900	1000	1200
CFM INCHES OF STATIC PRESSURE					
0.0	2077	2973	3432	4190	4734
0.1	1950	2726	3230	3910	4600
0.2	1760	2550	3000	3650	4320
0.3	1700	2230	2775	3330	4060
0.4	1550	-	2140	2900	3810
0.5	-	-	1475	-	3630
HP OF MOTOR NEEDED					
HP	1/3	1/3	1/2	1/2	3/4
VOLTS	115	115	115	115	115
AMPS	7.2	7.2	9.8	9.8	13.8
SPEEDS	1 OR 2	1 OR 2	1 OR 2	1 OR 2	1 OR 2
MOTOR PART NUMBER	110444 110445	110444 110445	110446 110447	110446 110447	110448 110449

* Square footage estimates are approximate. If the cooling square footage falls between two models, select the larger model.

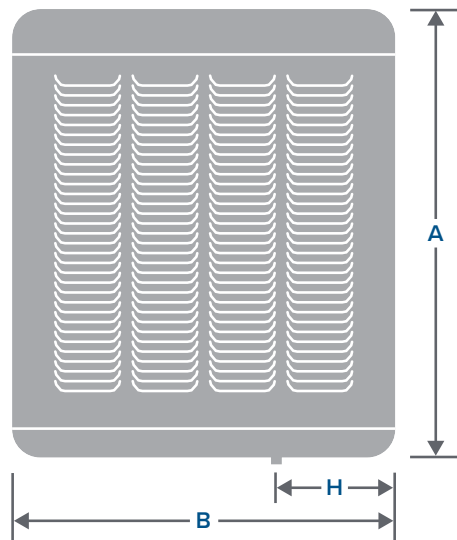
FRONT



SIDE



BACK



SPECIFICATIONS

	N30S	N40/45S	N55/65S
WEIGHT (lbs)			
SHIPPING WEIGHT	109	150	202
OPERATING WEIGHT	193	269	357
CABINET SIZE (in inches)			
A	33 ⁷ / ₁₆	34 ¹ / ₂	42 ⁷ / ₁₆
B	28 ¹ / ₈	34 ¹ / ₈	39
C	28 ¹ / ₈	34 ¹ / ₈	39
DUCT OPENING (in inches)			
D	13 ⁵ / ₈	17 ³ / ₄	20 ⁹ / ₁₆ OR 19 ³ / ₄ with Adapter ²
E	13 ⁵ / ₈	17 ³ / ₄	19 ³ / ₄
F	7 ¹ / ₄	8 ³ / ₁₆	9 ⁵ / ₈
G	12 ³ / ₃₂	12 ¹ / ₁₆	16 ²¹ / ₃₂
DRAIN OUTLET (in inches)			
H	12 ³ / ₄	10 ²¹ / ₃₂	15 ²¹ / ₃₂
I	8 ³ / ₄	8 ³ / ₄	8 ³ / ₄
POWER INLET (in inches)			
J	4 ⁵ / ₈	4 ⁵ / ₈	4 ⁵ / ₈
MEDIA PAD (in inches)			
NUMBER REQUIRED	3	3	3
HEIGHT	27	28	36
WIDTH	22	28	33
BLOWER WHEEL (in inches)			
	12 X 12	16 X 16	20 X 16
PULLEY DIAMETER X BORE DIAMETER (in inches)			
BLOWER	7 X 1	10 X 1	12 X 1
MOTOR	3 ¹ / ₄ X ¹ / ₂	3 ¹ / ₂ X ¹ / ₂	3 ¹ / ₂ X ¹ / ₂
BELT SIZE (in inches)			
	45	56	67

Duct adapters for N55/65S models provided upon request at no additional charge by calling 1-800-643-8341.

DOWN DRAFT EVAPORATIVE COOLERS



OUR DOWN DRAFT UNITS FEATURE

- Environmentally friendly aspen media
- Convenient junction box for easy motor and pump connection
- Motor sold separately. Use the table below to match the motor and cooler to your needs.



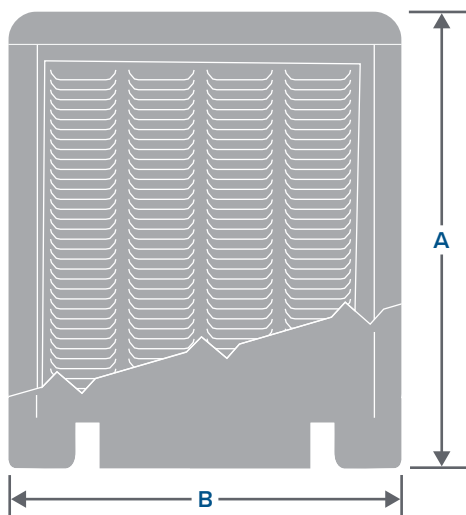
SEPARATE MOTORS ALLOW YOU TO SELECT AND PURCHASE THE EXACT MOTOR YOU NEED FOR YOUR HOME

MOTOR SPECIFICATIONS

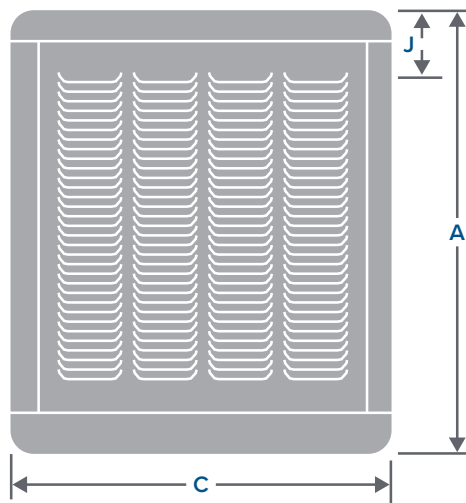
	N31D		N43/48D		N56/66D	
	COOLING SQUARE FOOTAGE*					
ZONE 1	1100	1500	1800	2100	2400	
ZONE 2	800	1100	1400	1600	1800	
ZONE 3	600	800	900	1100	1200	
	CFM INCHES OF STATIC PRESSURE					
0.0	2175	3077	3654	4334	4983	
0.1	2060	2880	3430	4000	4780	
0.2	1970	2565	3230	3620	4530	
0.3	1810	2240	3064	3300	4280	
0.4	1650	-	2498	2610	4020	
0.5	1520	-	2010	2170	3780	
	HP OF MOTOR NEEDED					
HP	1/3	1/3	1/2	1/2	3/4	
VOLTS	115	115	115	115	115	
AMPS	7.2	7.2	9.8	9.8	13.8	
SPEEDS	1 OR 2	1 OR 2	1 OR 2	1 OR 2	1 OR 2	1 OR 2
MOTOR PART NUMBER	110444 110445	110444 110445	110446 110447	110446 110447	110448 110449	

* Square footage estimates are approximate. If the cooling square footage falls between two models, select the larger model.

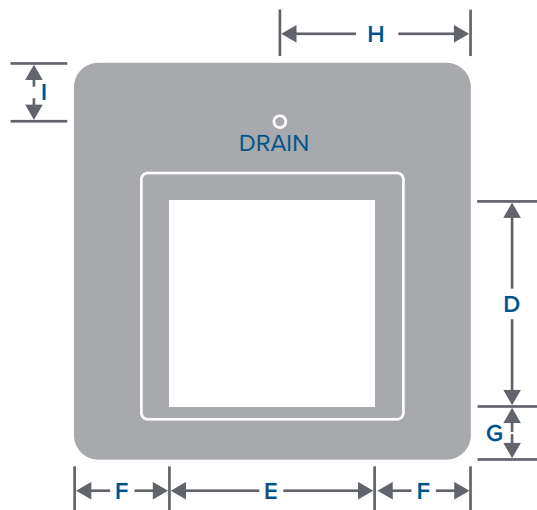
FRONT



SIDE



BOTTOM



SPECIFICATIONS

	N31D	N43/48D	N56/66D
WEIGHT (lbs)			
SHIPPING WEIGHT	118	161	220
OPERATING WEIGHT	175	233	309
CABINET SIZE (in inches)			
A	33 ⁷ / ₁₆	34 ¹ / ₂	42 ⁷ / ₁₆
B	28 ¹ / ₈	34 ¹ / ₈	39
C	28 ¹ / ₈	34 ¹ / ₈	39
DUCT OPENING (in inches)			
D	13 ⁵ / ₈	17 ³ / ₄	19 ³ / ₄
E	13 ⁵ / ₈	17 ³ / ₄	19 ³ / ₄
F	7 ¹ / ₄	8 ³ / ₁₆	9 ⁵ / ₈
G	4 ⁵ / ₈	4 ¹ / ₄	4 ¹ / ₂
DRAIN OUTLET (in inches)			
H	17 ¹¹ / ₁₆	16 ³ / ₈	25 ³ / ₈
I	5 ³ / ₁₆	5	5 ¹ / ₂
POWER INLET (in inches)			
J	4 ⁵ / ₈	4 ⁵ / ₈	4 ⁵ / ₈
MEDIA PAD (in inches)			
NUMBER REQUIRED	4	4	4
H	27	28	36
W	22	28	33
BLOWER WHEEL (in inches)			
	12 X 12	16 X 16	20 X 16
PULLEY DIAMETER X BORE DIAMETER (in inches)			
BLOWER	7 X 1	10 X 1	12 X 1
MOTOR	3 ¹ / ₄ X ¹ / ₂	3 ¹ / ₂ X ¹ / ₂	3 ¹ / ₂ X ¹ / ₂
BELT SIZE (in inches)			
	45	56	69



ESSICKAIR[®]

EAPC FEBRUARY 2020

5800 MURRAY ST. • LITTLE ROCK • AR • 72209 • 800-826-2665 • ESSICKAIR.COM