



Recessed Hole



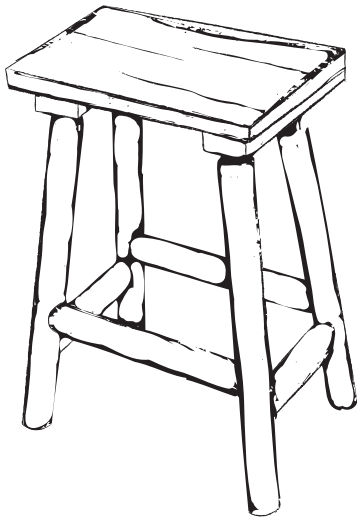
Pre-Checked









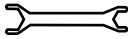
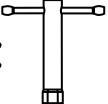
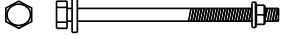

IMPORTANT: READ CAREFULLY BEFORE BEGINNING

1. Do not tighten bolts until fully assembled.
2. Recessed holes to face outward.
3. Insert bolts with washer and secure with washer and nut.
4. Pre-checked side must always face downward or inward.

SADDLE STOOL

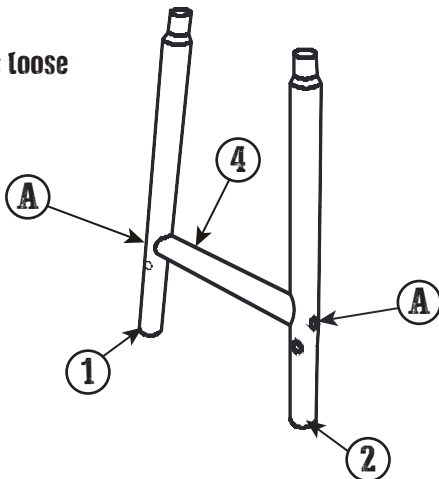
ITEM # TX 93620



PARTS AND HARDWARE LIST			
① STOOL LEG		② STOOL LEG	
			
2PCs		2PCs	
③ CHAIR SEAT		④ LONG SUPPORT BEAM	⑤ SHORT SUPPORT BEAM
			
1pc		2pcs	2pcs
Tools Required for Assembly		Tools Included	
 Mallet  Socket & Wrench 13mm  Phillips Screwdriver		 Wrench  Tightener A M08-11  NUT & BOLT 8pcs B S04-4  SCREW 4pcs	

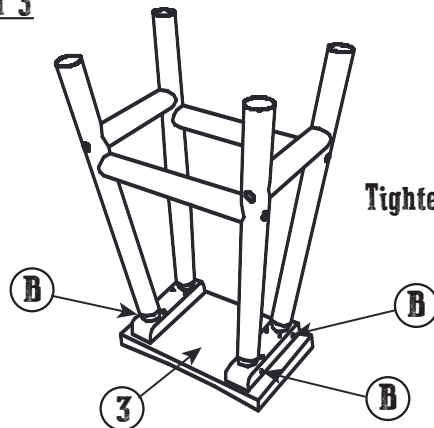
STEP 1

Keep all Nuts & Bolts loose during assembly.

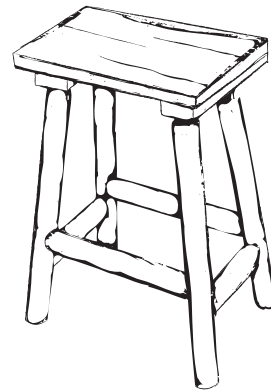
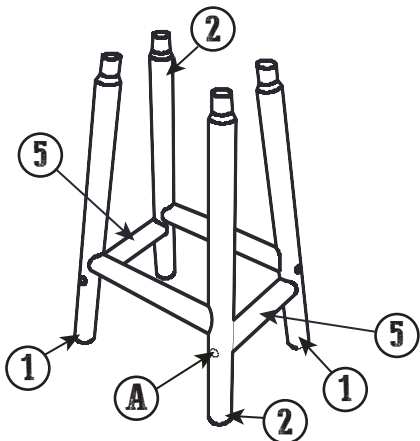


STEP 3

Tighten all screws last.



STEP 2



Congratulations on your assembly!

Limited Warranty and Care Instructions

ONE (1) YEAR LIMITED WARRANTY (NON-TRANSFERABLE)

This product is covered under United General Supply's (UGS) one (1) year limited warranty. To the original purchaser of this piece of furniture, cooler, or accessory; UGS warrants that it will be free from defects in material and workmanship for up to one year from the date of purchase under normal use and proper care.

Replacement of defective or missing parts will be sent at no charge to the customer for a period of 30 days from the date of purchase. UGS will no longer be responsible for missing parts or hardware 30 days after date of purchase. Freight, packaging, labor, or material charges to and from our customer service center is not covered under the warranty and is therefore the customer's responsibility.

The limited warranty does not cover this piece of furniture, cooler or accessory for commercial purposes, abusive use, damage by modification, freeze damage, rust, fading and issues caused by improper care.

For minor defects or missing parts/hardware, please contact customer service immediately upon purchase. Please do not return product to the store unless the product is irreparable. A customer service agent may help determine whether the damage is reparable and will provide further instructions.

For returns and refunds, please refer to your local store return policy with proof of purchase.

Proof of purchase (dated register receipt) will be required for warranty claims.

The use of power tools during assembly may void this warranty.

PROPER CARE INSTRUCTIONS

If left untreated, wood will naturally weather. During long periods of non-use, store furniture or cooler in covered and dry place. For the least maintenance, place your furniture, cooler, or accessory under a covered area.

To preserve and maintain the original finish of Char-log/Aspen log furniture, we recommend that a light lacquer coating be applied every 4 to 6 months depending on the seasons.

We recommended an exterior poly-urethane product that features a clear satin or semi-gloss finish and a fast drying process.

Customer Service may be reached Monday through Friday from 9:00a.m. to 5:00p.m. CST.

HELP@UGSCO.COM OR 1-877-87LEIGH (53444)

DISTRIBUTED BY:

UNITED GENERAL SUPPLY CO., INC.

HOUSTON, TX 77036



www.LeighCountry.com