

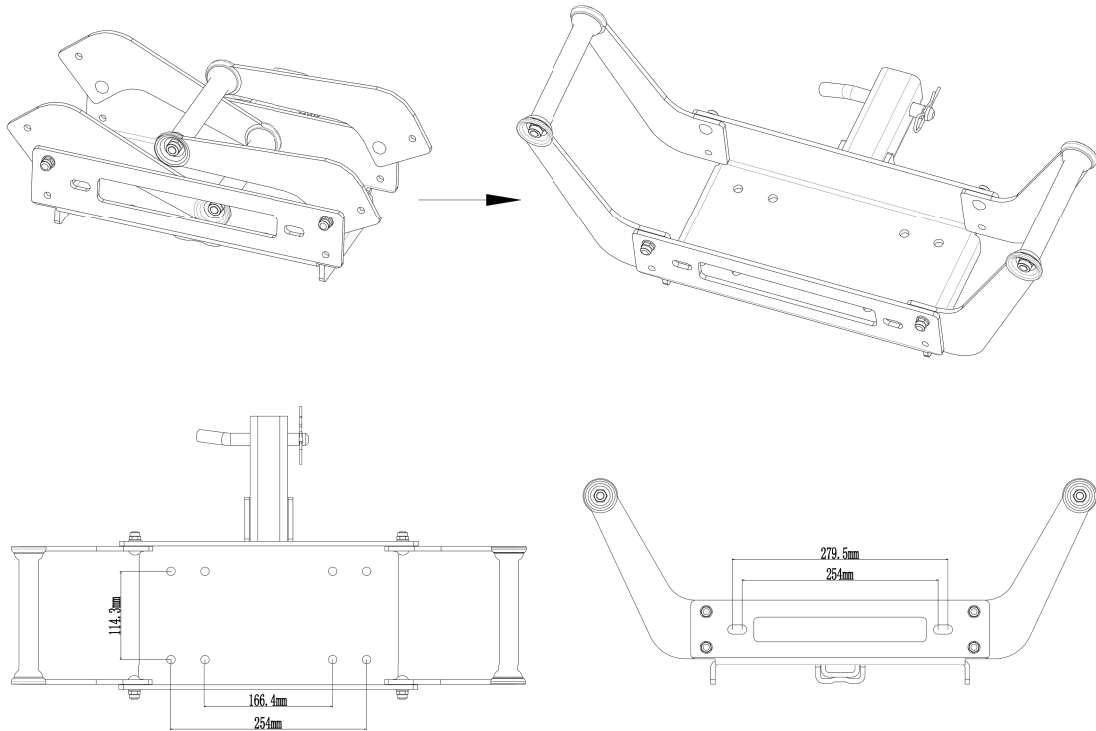


**QUICK RELEASE
MOUNTING PLATE
SKU: 1078306**

Assembly & Operating Instructions

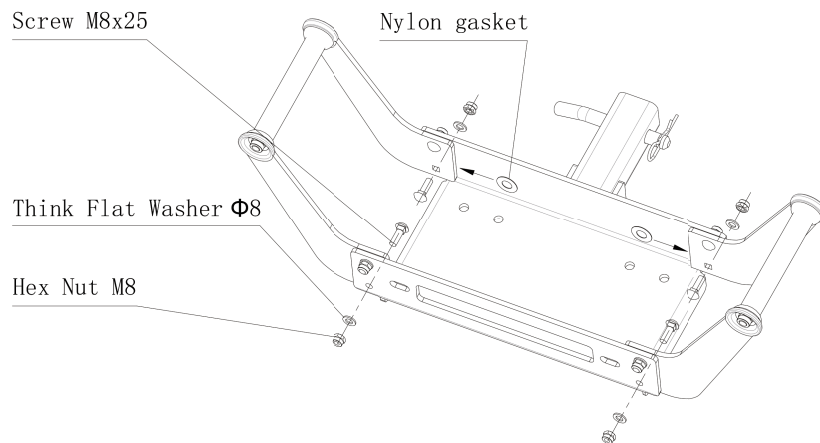
ASSEMBLY AND MOUNTING

Unfold the two handle rods as shown in the figure.

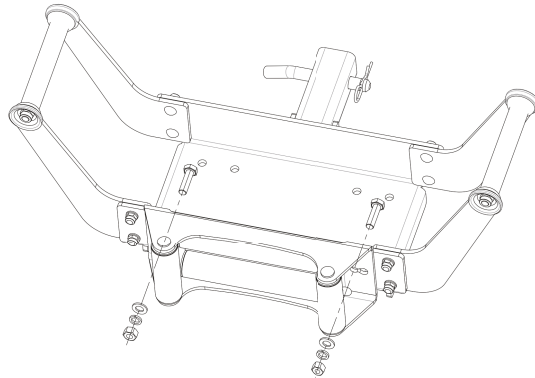


Installation dimension

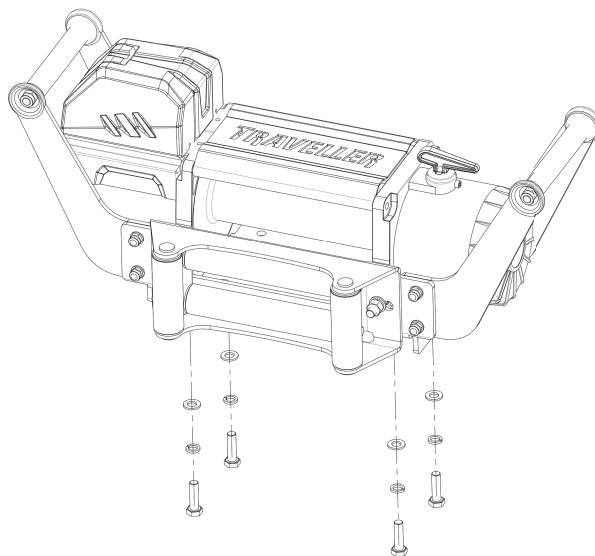
Use four sets of M8x25 screws, nylon gaskets, flat washers and nuts to completely attach the quick mounting plate .



Attach the roller fairlead to the quick mounting plate with two sets of bolts, spring washers, flat washers and nuts, then attach the winch to the quick mounting plate with four sets of bolts, spring washers, flat washers and nuts.

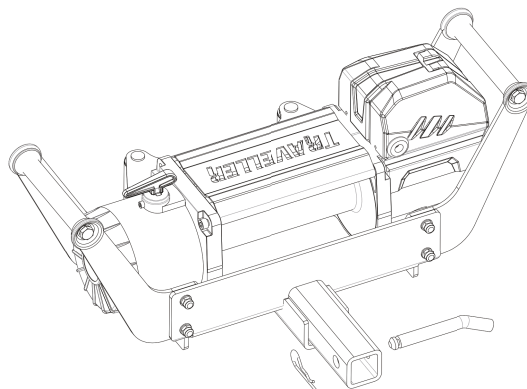


Roller fairlead installation diagram



Winch installation diagram

After the roller fairlead and winch are installed, the quick mounting plate can be used after it is firmly attached to the car with spring pin and pin shaft.



Applicable models: Traveller and TravellerX 8,000lb - 12,000lb winch.
If it is used to install winch of other brands, please first check whether the installation size is suitable.

Note: Bolts, spring washers, flat washers and nuts required to install winch and roller fairlead are in the winch box of Traveller and TravellerX 8,000lb - 12,000lb winch.