

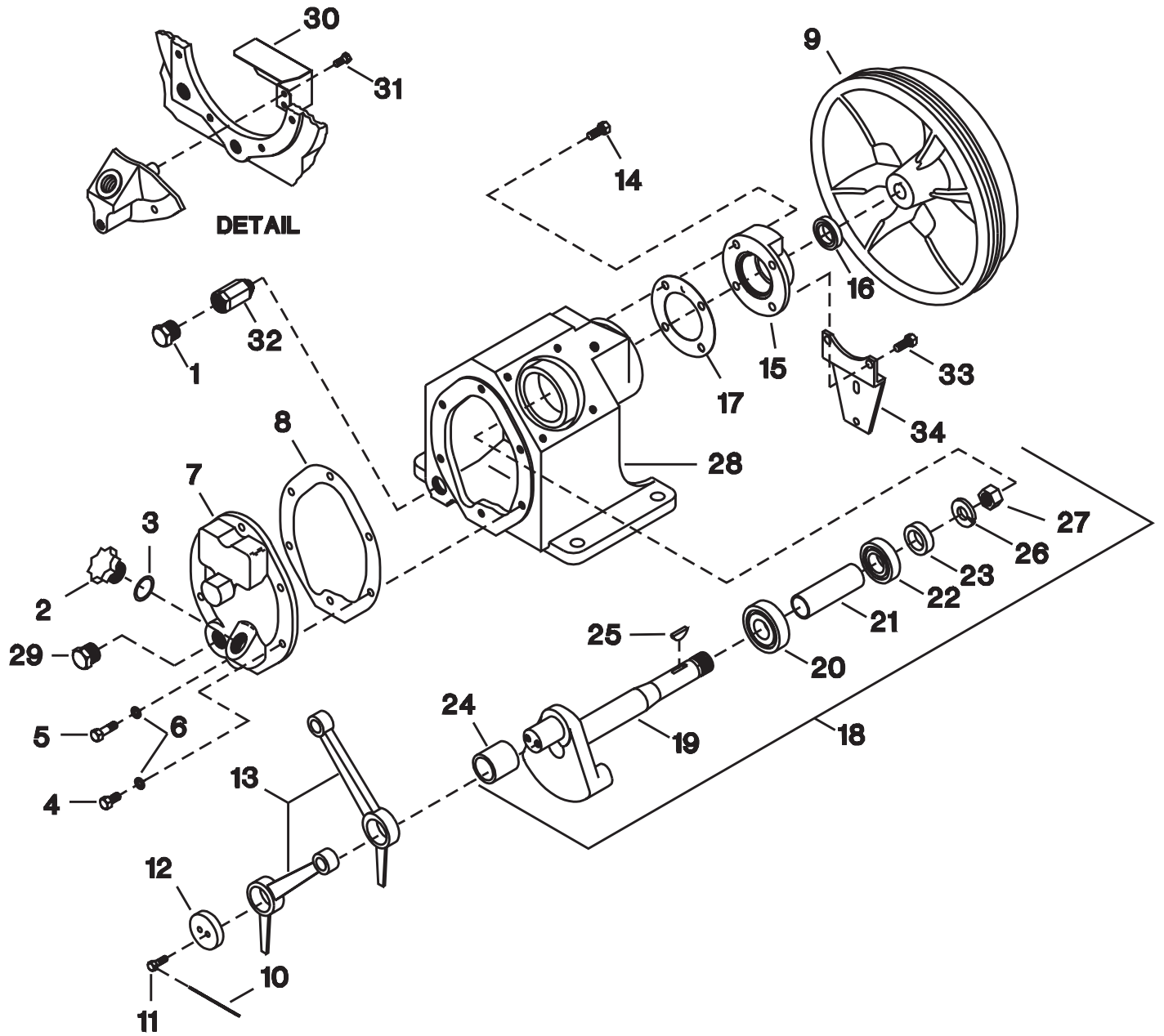
PARTS LIST

T30 MODEL 2340
TWO STAGE
INDUSTRIAL
AIR COMPRESSOR



A series of horizontal lines for writing, starting from the first line below the pen icon and extending to the bottom of the page. The lines are evenly spaced and cover the majority of the page's width.

FIGURE 1. COMPRESSOR FRAME ASSEMBLY.



| REF. NO. | PART NO. | DESCRIPTION | QTY. | SPARES | | |
|-------------|-------------|---|------|--------|---|---|
| | | | | 1 | 2 | 3 |
| 1-1 | 95033601 | PLUG, PIPE - HEX HEAD - 3/8" | 1 | | | |
| 1-2 | 37127065 | PLUG, OIL FILLER | 1 | | | |
| 1-3 | 95022158 | O-RING | 1 | 1 | 1 | 2 |
| 1-4 | 95105243 | CAPSCREW, HEX HEAD - 5/16-18x7/8" | 5 | | | |
| 1-5 | 95002978 | CAPSCREW, HEX HEAD - 5/16-18x1-1/4" | 1 | | | |
| 1-6 | 95674651 | GASKET, COPPER WASHER | 6 | | | |
| 1-7 | 37127123 | COVER, FRAME END | 1 | | | |
| 1-8 | 32293680 | GASKET, FRAME END COVER | 1 | 1 | 1 | 2 |
| 1-9 | 32498974 | BELTWHEEL (CLOCKWISE ROTATION WHEN FACING UNIT) | 1 | | | |
| 1-9 | 32293698 | BELTWHEEL (COUNTER-CLOCKWISE ROTATION WHEN FACING UNIT) | 1 | | | |
| 1-10 | 90799289 | LOCKWIRE, 12 GA - 5" | 1 | | | |
| 1-11 | 30278709 | CAPSCREW, LOCK - 1/4-20x3/4" | 2 | | | |
| 1-12 | 30210314 | CAP, CRANKPIN | 1 | | | |
| 1-13 | 32004145 | ROD, CONNECTING | 2 | | 2 | 2 |
| 1-14 | 95105243 | CAPSCREW, HEX - 5/16-18x7/8" | 2 | | | |
| 1-15 | 37127032 | COVER, SHAFT END | 1 | | | |
| 1-16 | 32204521 | SEAL, OIL | 1 | | | |
| 1-17 | 32293672 | GASKET, SHAFT END COVER | 1 | 1 | 1 | 2 |
| 1-18 | 32496549 | CRANKSHAFT, COMPLETE | 1 | | | |
| 1-19 | 32293821 | • ASSY, DISC/SHAFT | 1 | | | |
| 1-20 | 95930400 | • BEARING, BALL | 1 | | | |
| 1-21 | 37127016 | • SPACER, CRANKSHAFT BEARING | 1 | | | |
| 1-22 | 95951216 | • BEARING, BALL - W/SNAP RING | 1 | | | |
| 1-23 | 37127024 | • RING, BEARING RETAINER | 1 | | | |
| 1-24 | 30289813 | • BUSHING, CRANKPIN | 1 | | | |
| 1-25 | 95433173 | • KEY, WOODRUFF | 1 | | | |
| 1-26 | 95081790 | • LOCKWASHER - 5/8" | 1 | | | |
| 1-27 | 95076808 | • NUT, HEX - 5/8-18 | 1 | | | |
| 1-28 | 30222327 | FRAME, COMPRESSOR | 1 | | | |
| 1-29 | 95200333 | PLUG, PIPE - HEX HEAD - 3/4" | 1 | | | |
| 1-30 | 32270639 | BAFFLE, OIL LEVEL (SEE NOTE) | 1 | | | |
| 1-31 | 95053070 | CAPSCREW, HEX - 1/4 - 20 X 1/2" (SEE NOTE) | 2 | | | |
| 1-32 | 70235049 | ADAPTER, DRAIN EXTENSION (SEE NOTE) | 1 | | | |
| 1-33 | 95105243 | CAPSCREW, HEX - 5/16 - 18 X 7/8" (SEE NOTE) | 2 | | | |
| 1-34 | 97331011 | BRACKET, INTERCOOLER CLAMP | 1 | | | |

NOTE: ITEMS 30, 31, 32 & 33 PROVIDED IF LOW OIL LEVEL SWITCH IS SUPPLIED.

FIGURE 2. HIGH PRESSURE VALVE PLATE ASSEMBLY.

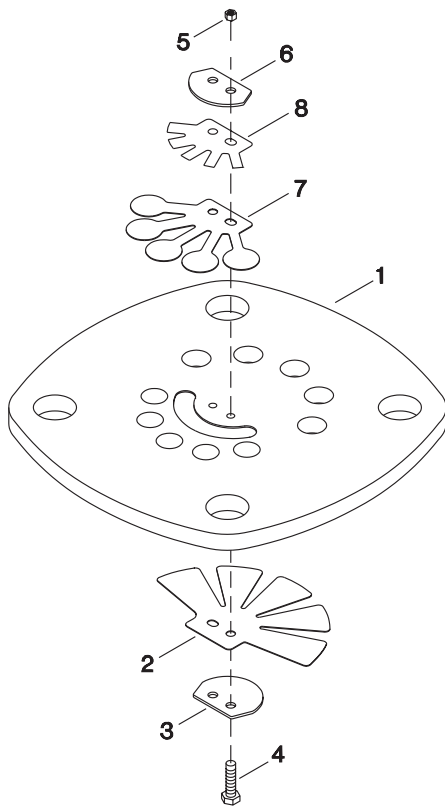
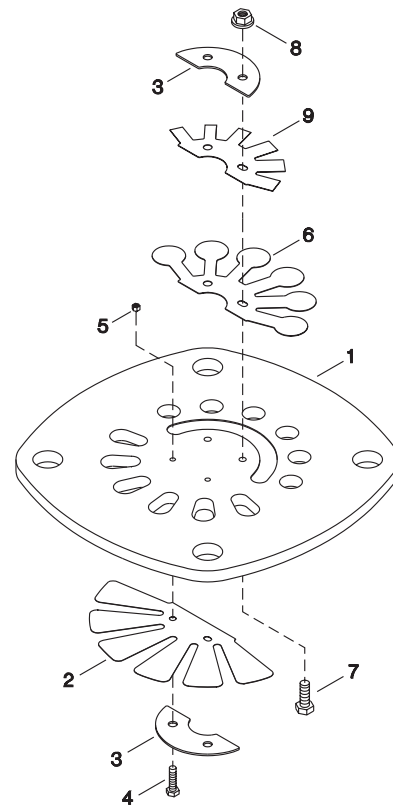


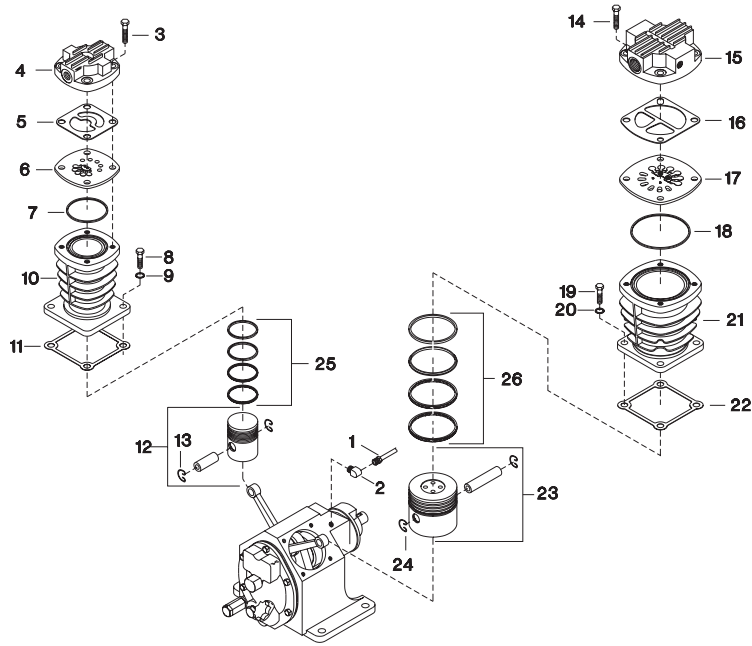
FIGURE 3. LOW PRESSURE VALVE PLATE ASSEMBLY.



| REF. NO. | PART NO. | DESCRIPTION | QTY. | SPARES | | |
|----------|----------|------------------------------|------|--------|---|---|
| | | | | 1 | 2 | 3 |
| REF. | 32310799 | ASSY, VALVE PLATE - HP | 1 | | | |
| 2-1 | NSS | PLATE, VALVE - HP | 1 | | | |
| 2-2 | 32236671 | VALVE, FINGER - HP INLET | 1 | | | |
| 2-3 | 32297343 | RETAINER, VALVE - HP | 1 | | | |
| 2-4 | 32297327 | SCREW, M3 x 12 | 2 | | | |
| 2-5 | 97511059 | NUT, HEX - M3 W/ LOCKWASHER | 2 | | | |
| 2-6 | 32295461 | RETAINER, VALVE - HP | 1 | | | |
| 2-7 | 32241010 | VALVE, FINGER - HP DISCHARGE | 1 | | | |
| 2-8 | 32295479 | DAMPER, VALVE | 1 | | | |

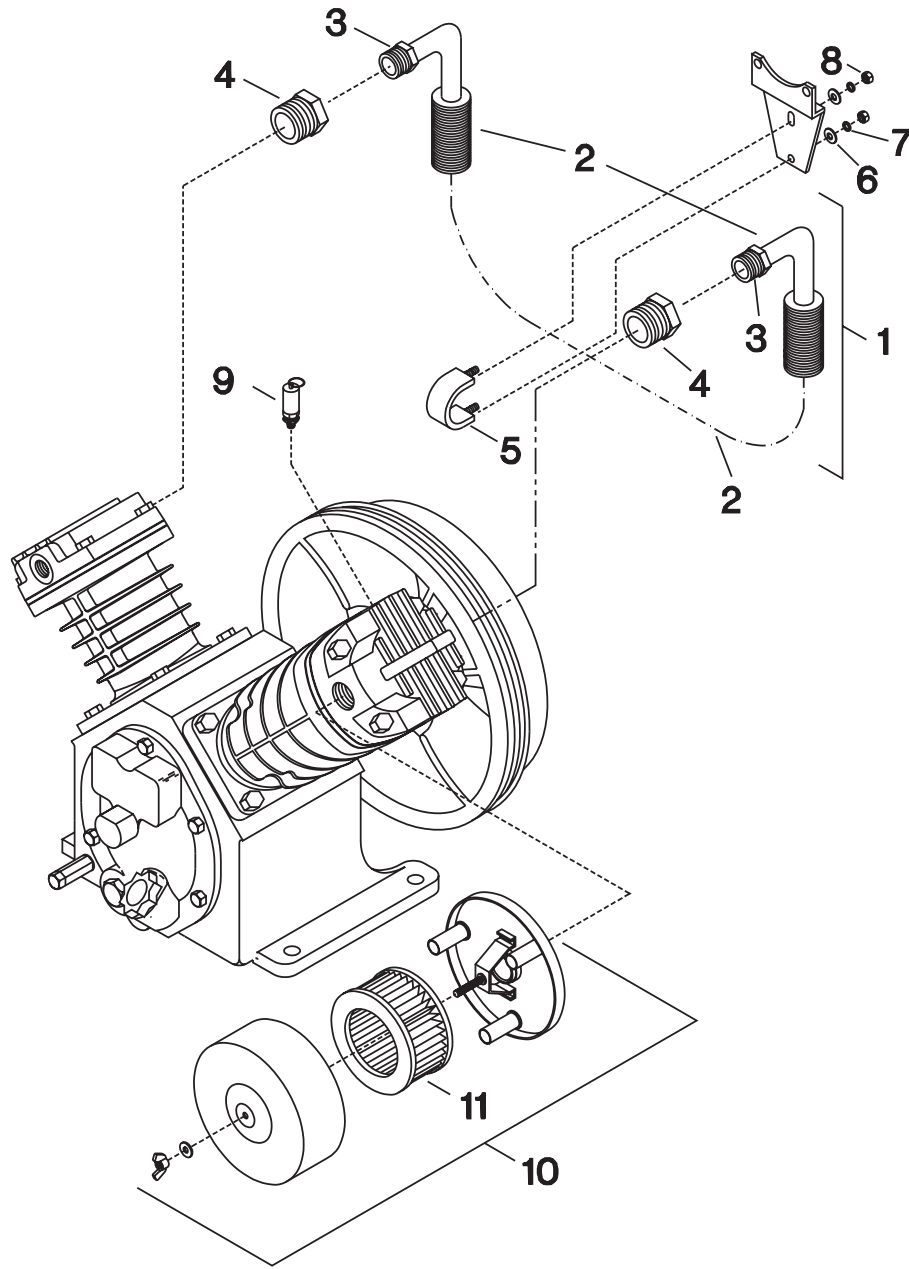
| REF. NO. | PART NO. | DESCRIPTION | QTY. | SPARES | | |
|----------|----------|------------------------------|------|--------|---|---|
| | | | | 1 | 2 | 3 |
| REF. | 32310807 | ASSY, VALVE PLATE - LP | 1 | | | |
| 3-1 | NSS | PLATE, VALVE - LP | 1 | | | |
| 3-2 | 32241002 | VALVE, FINGER - LP INLET | 1 | | | |
| 3-3 | 97511091 | RETAINER, VALVE - LP | 2 | | | |
| 3-4 | 32297327 | SCREW, M3 x 12 | 2 | | | |
| 3-5 | 97511059 | NUT, HEX - M3 W/ LOCKWASHER | 2 | | | |
| 3-6 | 32241036 | VALVE, FINGER - LP DISCHARGE | 1 | | | |
| 3-7 | 32247512 | SCREW, M4 x 12 HEX HEAD | 2 | | | |
| 3-8 | 32248171 | NUT, M4 HEX | 2 | | | |
| 3-9 | 32294472 | DAMPER, VALVE | 1 | | | |

FIGURE 4. MODEL 2340 BARE COMPRESSOR.



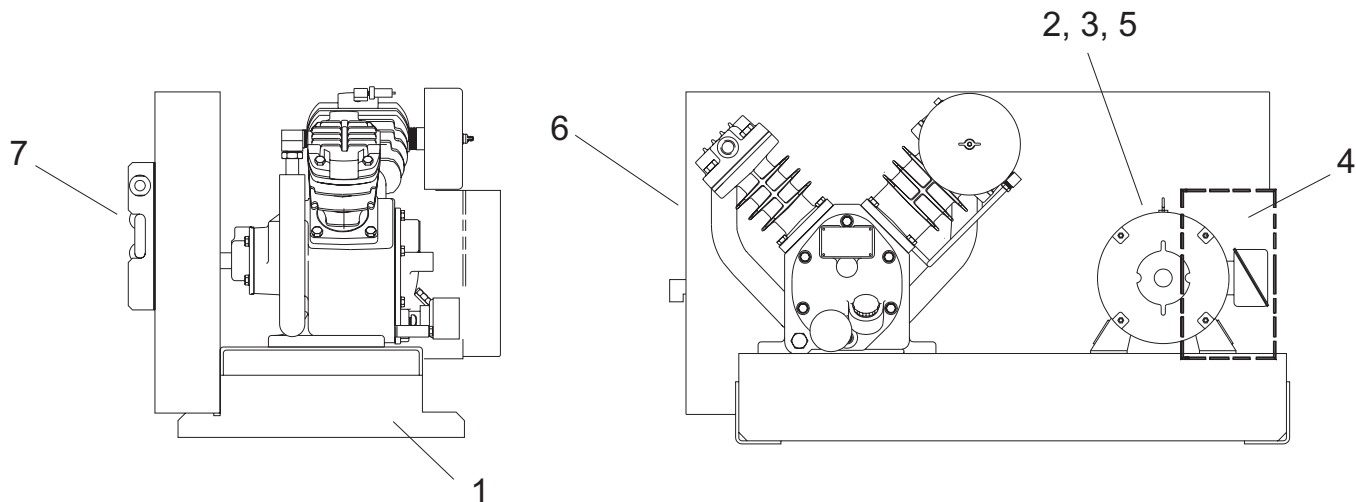
| REF. NO. | PART NO. | DESCRIPTION | QTY. | SPARES | | |
|----------|----------|--|------|--------|---|---|
| | | | | 1 | 2 | 3 |
| 4-1 | 32295651 | ASSY., TUBE - BREATHER | 1 | | | |
| 4-2 | 95031860 | ELBOW, TUBE - 5/16x1/8" | 2 | | | |
| 4-3 | 95104188 | CAPSCREW, HEX - 1/2-13x1-3/4" | 4 | | | |
| 4-4 | 32247827 | HEAD, HP | 1 | | | |
| 4-5 | 32247926 | GASKET, HEAD - HP | 1 | 1 | 1 | 2 |
| 4-6 | REF. | ASSY., VALVE PLATE - HP (SEE FIGURE 2) | 1 | | 1 | 1 |
| 4-7 | 32246878 | O-RING - HP | 1 | | 1 | 1 |
| 4-8 | 95035333 | CAPSCREW, HEX - 3/8-16x1" | 4 | | | |
| 4-9 | 95674677 | GASKET, COPPER - 3/8" | 4 | | | |
| 4-10 | 32294415 | CYLINDER, AIR - HP | 1 | | | |
| 4-11 | 32293623 | GASKET, FLANGE | 1 | 1 | 1 | 2 |
| 4-12 | 32496606 | ASSY., HP PISTON - COMPLETE | 1 | | 1 | 1 |
| 4-13 | 35151067 | • RING, LOCK | 2 | | | |
| 4-14 | 95104188 | CAPSCREW, HEX - 1/2-13x1-3/4" | 4 | | | |
| 4-15 | 32247694 | HEAD, LP | 1 | | | |
| 4-16 | 32247934 | GASKET, HEAD - LP | 1 | 1 | 1 | 2 |
| 4-17 | REF. | ASSY., VALVE PLATE - LP (SEE FIGURE 3) | 1 | | 1 | 1 |
| 4-18 | 32246910 | O-RING - LP | 1 | | 1 | 1 |
| 4-19 | 95035333 | CAPSCREW, HEX - 3/8-16x1" | 4 | | | |
| 4-20 | 95674677 | GASKET, COPPER - 3/8" | 4 | | | |
| 4-21 | 32293656 | CYLINDER - LP | 1 | | | |
| 4-22 | 32293623 | GASKET, FLANGE | 1 | 1 | 1 | 2 |
| 4-23 | 32496572 | ASSY., LP PISTON - COMPLETE | 1 | | 1 | 1 |
| 4-24 | 35151067 | • RING, LOCK | 2 | | | |
| 4-25 | 37138237 | SET, RING - HP | 1 | | | |
| 4-26 | 32194276 | SET, RING - LP | 1 | | | |

FIGURE 5. INTERCOOLER ASSEMBLY & TUBING. (CLOCKWISE ROTATING UNIT SHOWN BELOW.)



| REF. NO. | CLOCKWISE PART NO. | COUNTER-CLOCKWISE PART NO. | DESCRIPTION | QTY. | SPARES | | |
|----------|--------------------|----------------------------|-------------------------------|------|--------|---|---|
| | | | | | 1 | 2 | 3 |
| 5-1 | 97331003 | 32293706 | ASSY., INTERCOOLER | 1 | | 1 | 1 |
| 5-2 | 97330997 | 32295545 | • INTERCOOLER | 1 | | | |
| 5-3 | 95108577 | 95108577 | • NUT, TUBE - 3/4" | 2 | | | |
| 5-4 | 95083275 | 95031761 | CONNECTOR, TUBE - 3/4" x 3/4" | 2 | | | |
| 5-5 | 32247942 | N/A | CLAMP, INTERCOOLER | 1 | | | |
| 5-6 | 95094298 | N/A | WASHER, FLAT - 1/4" | 2 | | | |
| 5-7 | 32035479 | N/A | LOCKWASHER, SPRING - 1/4" | 2 | | | |
| 5-8 | 95416335 | N/A | NUT, HEX - 1/4-20 | 2 | | | |
| 5-9 | 72062185 | 72062185 | VALVE, RELIEF - 80 PSIG | 1 | | | |
| 5-10 | 32170953 | 32170953 | FILTER, INLET - COMPLETE | 1 | | 1 | 2 |
| 5-11 | 32170979 | 32170979 | • ELEMENT, FILTER - 10 MICRON | 1 | 1 | 1 | 1 |

FIGURE 6. TYPICAL BASEPLATE MOUNTED ELECTRIC PACKAGES.



| REF. NO. | PART NUMBER (QTY.) | | | | DESCRIPTION | QTY. |
|----------|--------------------|-------------|-------------|-------------|--|------|
| | 2340X2 | 2340X3 | H2340X2 | H2340X3 | | |
| 6-1 | 32195224 | 32195224 | 32195224 | 32195224 | ASSEMBLY, SUBBASE | 1 |
| 6-2 | 32037566 ** | 32036592 ** | 32037566 ** | 32036592 ** | MOTOR, ELECTRIC | 1 |
| 6-3 | 32110660 ** | 32281768 ** | 32110660 ** | 32281768 ** | PULLEY, MOTOR | 1 |
| 6-4 | 32190019 ** | 32190076 ** | 32190019 ** | 32190076 ** | STARTER (IF SUPPLIED) | 1 |
| 6-5 | 95099503 ** | 95099503 ** | 95099503 ** | 95099503 ** | BELT, DRIVE | 1 |
| 6-6 | REF. | REF. | REF. | REF. | BELTGUARD — SHEET METAL TYPE (SEE FIG. 10, PG. 16) | 1 |
| 6-6 | REF. | REF. | REF. | REF. | BELTGUARD — WIRE TYPE (SEE FIG. 9, PG. 14) | 1 |
| 6-7 | REF. | REF. | REF. | REF. | AFTERCOOLER, AIR COOLED (SEE FIG. 10, PG. 16) | 1 |

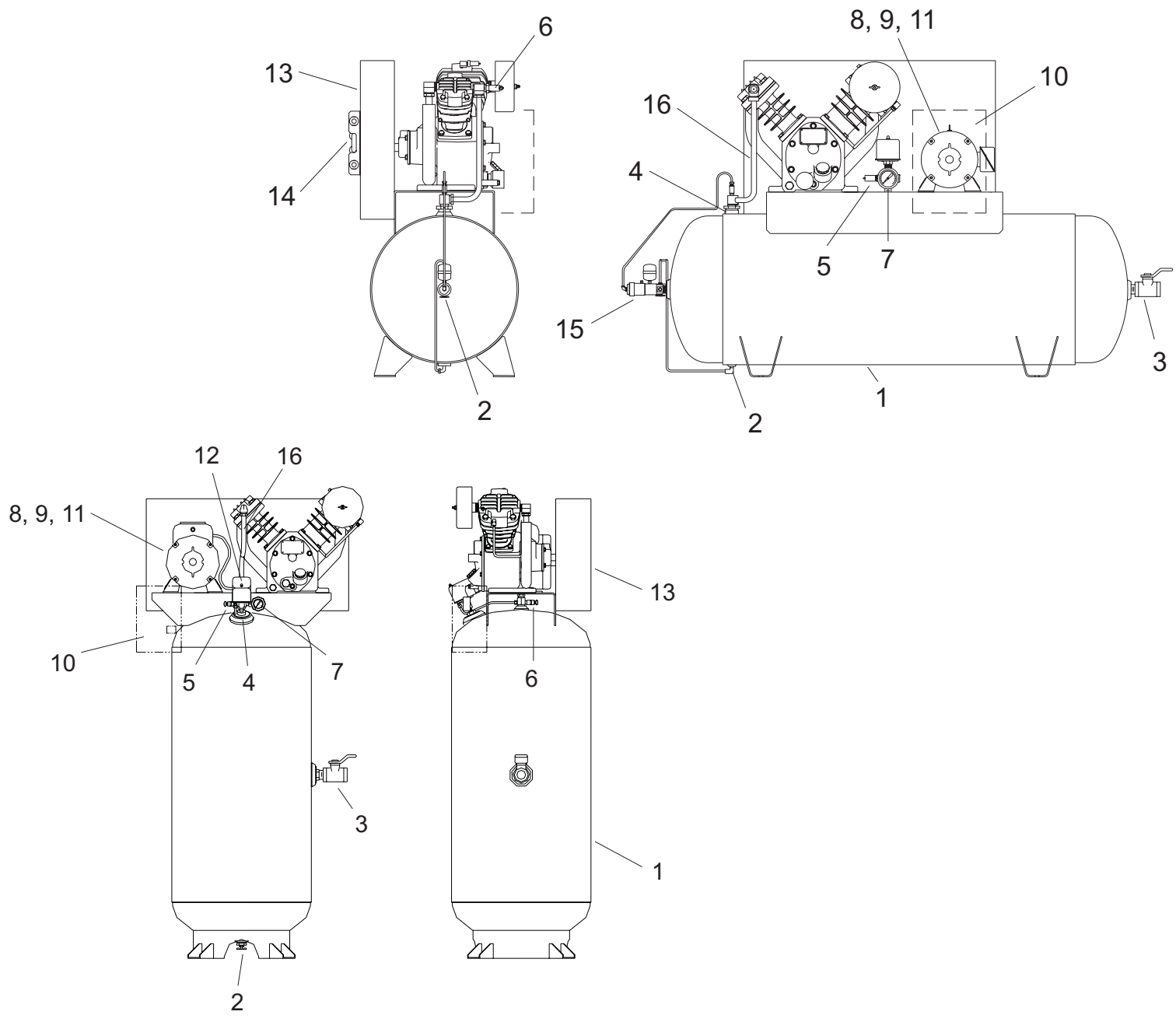
** = PART NUMBER VARIES. PROVIDE MODEL NUMBER, SERIAL NUMBER AND COMPLETE MOTOR NAMEPLATE DATA WHEN ORDERING.

ACAC = AIR COOLED AFTERCOOLER

REF. = REFERENCE PAGE NUMBER(S) GIVEN IN DESCRIPTION COLUMN.

NOTE: ACAC CANNOT BE MOUNTED ON WIRE BELTGUARD

FIGURE 7. TYPICAL SIMPLEX RECEIVER MOUNTED ELECTRIC PACKAGES.



| REF. NO. | PART NUMBER (QTY.) | | | | DESCRIPTION | QTY. | |
|----------|--------------------|-------------|-------------|-------------|-------------|-------------|---|
| | 2340D2 | 2340N2 | 2340D3 | H2340D3 | 2340N3 | 2340L5 | |
| 7-1 | 32498768 | 32496499 | 32498768 | 32251837 | 32496499 | 32498933 | ASSEMBLY, RECEIVER |
| 7-2 | 32027120 | 32027120 | 32027120 | 32027120 | 32027120 | 32027120 | VALVE, MANUAL DRAIN |
| 7-3 | 32223596 | 32223596 | 32223596 | 32223596 | 32223596 | 32223596 | VALVE, BALL — SERVICE VALVE |
| 7-4 | 97162812 | 97162812 | 97162812 | 97162812 | 97162812 | 97333165 | VALVE, CHECK |
| 7-5 | 31385693 | 31385693 | 31385693 | 32174799 | 31385693 | 31385693 | VALVE, SAFETY/RELIEF — RECEIVER |
| 7-6 | 32174286 | 32174286 | 32174286 | 32174286 | 32174286 | 32174286 | VALVE, SAFETY/RELIEF — DISCHARGE |
| 7-7 | 32013872 | 32013872 | 32013872 | 32013872 | 32013872 | 32499816 | GAUGE, PRESSURE — 300 PSIG |
| 7-8 | 32037566 ** | 32037566 ** | 32036592 ** | 32036592 ** | 32036592 ** | 32295529 ** | MOTOR, ELECTRIC — 230/460-3-60 ODP |
| 7-9 | 32110660 ** | 32110660 ** | 32281768 ** | 32281768 ** | 32281768 ** | 32184350 ** | PULLEY, MOTOR |
| 7-10 | 32190019 ** | 32190019 ** | 32190076 ** | 32190076 ** | 32190076 ** | 32496903 ** | STARTER (IF SUPPLIED) — NEMA 4 230-3-60 |
| 7-11 | 95099503 ** | 95099503 ** | 95099503 ** | 95099503 ** | 95099503 ** | 95099503 ** | BELT, DRIVE |
| 7-12 | 37005907 | 37005907 | 37005907 | 37005907 | 37005907 | ++ | SWITCH, PRESSURE — NEMA 1 |
| 7-13 | REF. | REF. | REF. | REF. | REF. | REF. | BELTGUARD — SHEET METAL TYPE (SEE FIG. 10, PG. 16) |
| 7-13 | REF. | REF. | REF. | REF. | REF. | REF. | BELTGUARD — WIRE TYPE (SEE FIG. 9, PG. 14) |
| 7-14 | REF. | REF. | REF. | REF. | REF. | REF. | AFTERCOOLER, AIR COOLED (SEE FIG. 10, PG. 16) +++ |
| 7-15 | REF. | REF. | REF. | REF. | REF. | REF. | VALVE, AUTOMATIC DRAIN (IF SUPPLIED. SEE FIG. 11, PG. 18) |
| 7-16 | 32312266 | 32312274 | 32312266 | 32312266 | 32312274 | 32498180 | ASSEMBLY, TUBE - COMPRESSOR TO RECEIVER |

** = PART NUMBER VARIES. SUPPLY MODEL NUMBER, SERIAL NUMBER AND COMPLETE MOTOR NAMEPLATE DATA WHEN ORDERING.

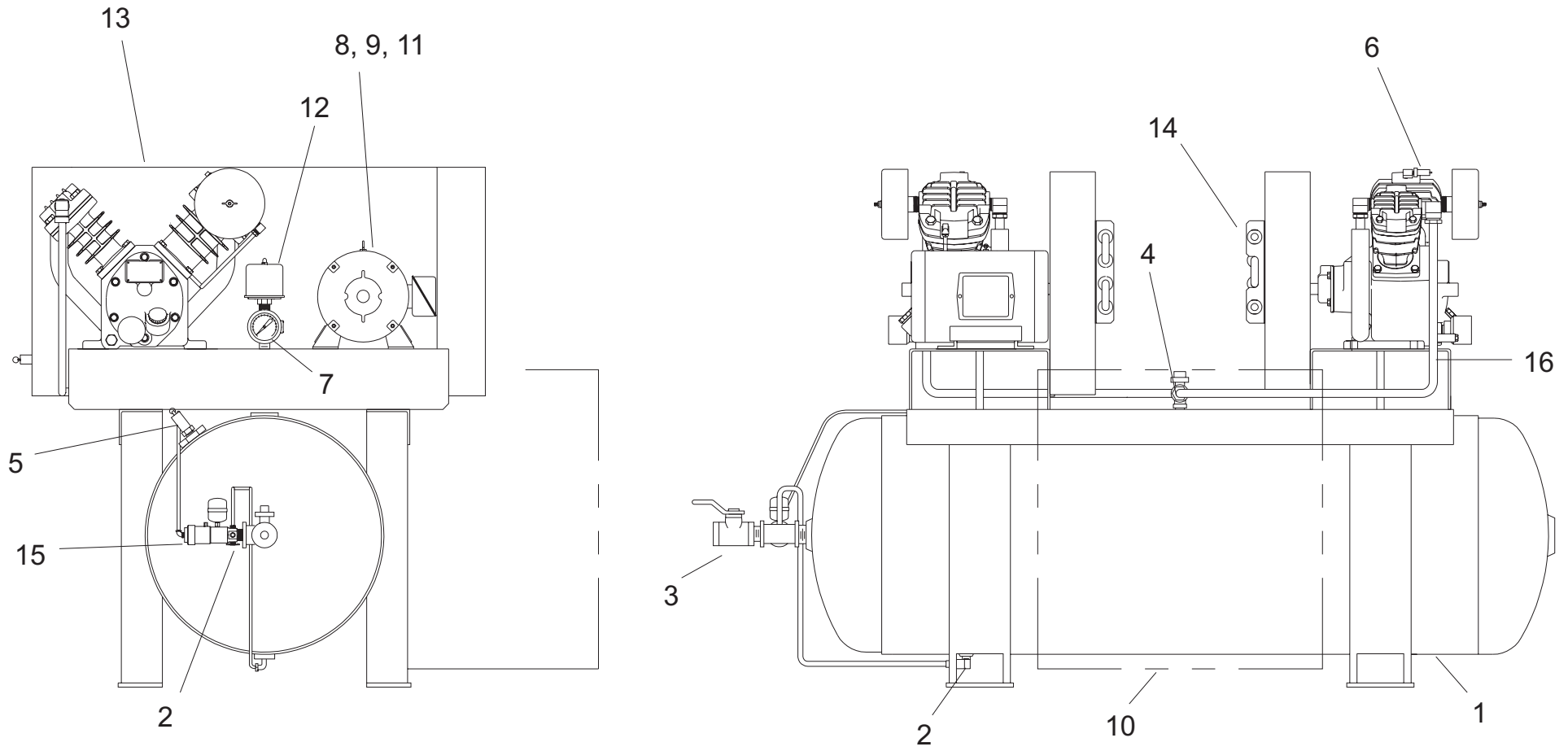
REF. = REFERENCE PAGE NUMBER(S) GIVEN IN DESCRIPTION COLUMN.

ACAC = AIR COOLED AFTERCOOLER

++ = USE 32498891 FOR SINGLE PHASE MOTOR; USE 32147738 FOR THREE-PHASE MOTOR

+++ = ACAC CANNOT BE MOUNTED ON WIRE BELTGUARD.

FIGURE 8. TYPICAL DUPLEX RECEIVER MOUNTED ELECTRIC PACKAGES.



| REF. NO. | PART NUMBER (QTY.) | DESCRIPTION | QTY. |
|----------|--------------------|--|------|
| | 2-2340D2 | 2-2340D3 | |
| 8-1 | 32251894 | 32251894 ASSEMBLY, RECEIVER | 1 |
| 8-2 | 32027120 | 32027120 VALVE, MANUAL DRAIN | 1 |
| 8-3 | 32223596 | 32223596 VALVE, BALL — SERVICE VALVE | 1 |
| 8-4 | 97162812 | 97162812 VALVE, CHECK | 1 |
| 8-5 | 31385693 | 31385693 VALVE, SAFETY/RELIEF — RECEIVER (200 PSIG) | 1 |
| 8-6 | 32174286 | 32174286 VALVE, SAFETY/RELIEF — DISCHARGE (325 PSIG) | 2 |
| 8-7 | 32499816 | 32499816 GAUGE, PRESSURE — 300 PSIG | 2 |
| 8-8 | 32037566 ** | 32036592 ** MOTOR, ELECTRIC — 230/460-3-60 ODP | 2 |
| 8-9 | 32110660 ** | 32281768 ** PULLEY, MOTOR | 2 |
| 8-10 | 32237133 ** | 32237141 ** ALTERNATOR (IF SUPPLIED) — 230-3-60 | 1 |
| 8-11 | 95099503 ** | 95099503 ** BELT, DRIVE | 2 |
| 8-12 | 37005907 | 37005907 SWITCH, PRESSURE — NEMA 1 (175 PSIG) | 2 |
| 8-13 | REF. | REF. BELTGUARD — SHEET METAL TYPE (SEE FIG. 10, PG. 16) | 2 |
| 8-13 | REF. | REF. BELTGUARD — WIRE TYPE (SEE FIG. 9, PG. 14) | 2 |
| 8-14 | REF. | REF. AFTERCOOLER, AIR COOLED (SEE FIG. 10, PG. 16) +++ | 2 |
| 8-15 | REF. | REF. VALVE, AUTOMATIC DRAIN (IF SUPPLIED. SEE FIG. 11, PG. 18) | 1 |
| 8-16 | 32312282 | 32312282 ASSEMBLY, TUBE — COMPRESSOR TO RECEIVER | 2 |

** = PART NUMBER VARIES. SUPPLY MODEL NUMBER, SERIAL NUMBER AND COMPLETE MOTOR NAMEPLATE DATA WHEN ORDERING.

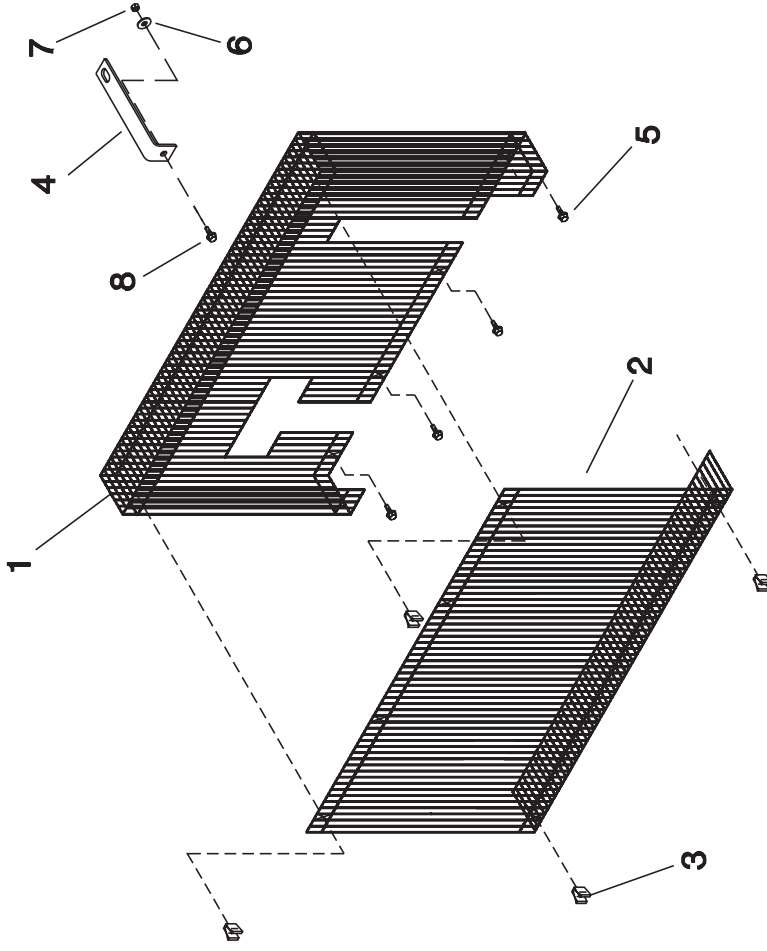
ACAC = AIR COOLED AFTERCOOLER

REF. = REFERENCE PAGE NUMBER(S) GIVEN IN DESCRIPTION COLUMN.

++ = USE32498891 FOR SINGLE PHASE MOTOR; USE 32147738 FOR THREE-PHASE MOTOR

+++ = AIR COOLED AFTERCOOLER CANNOT BE MOUNTED ON WIRE BELTGUARD.

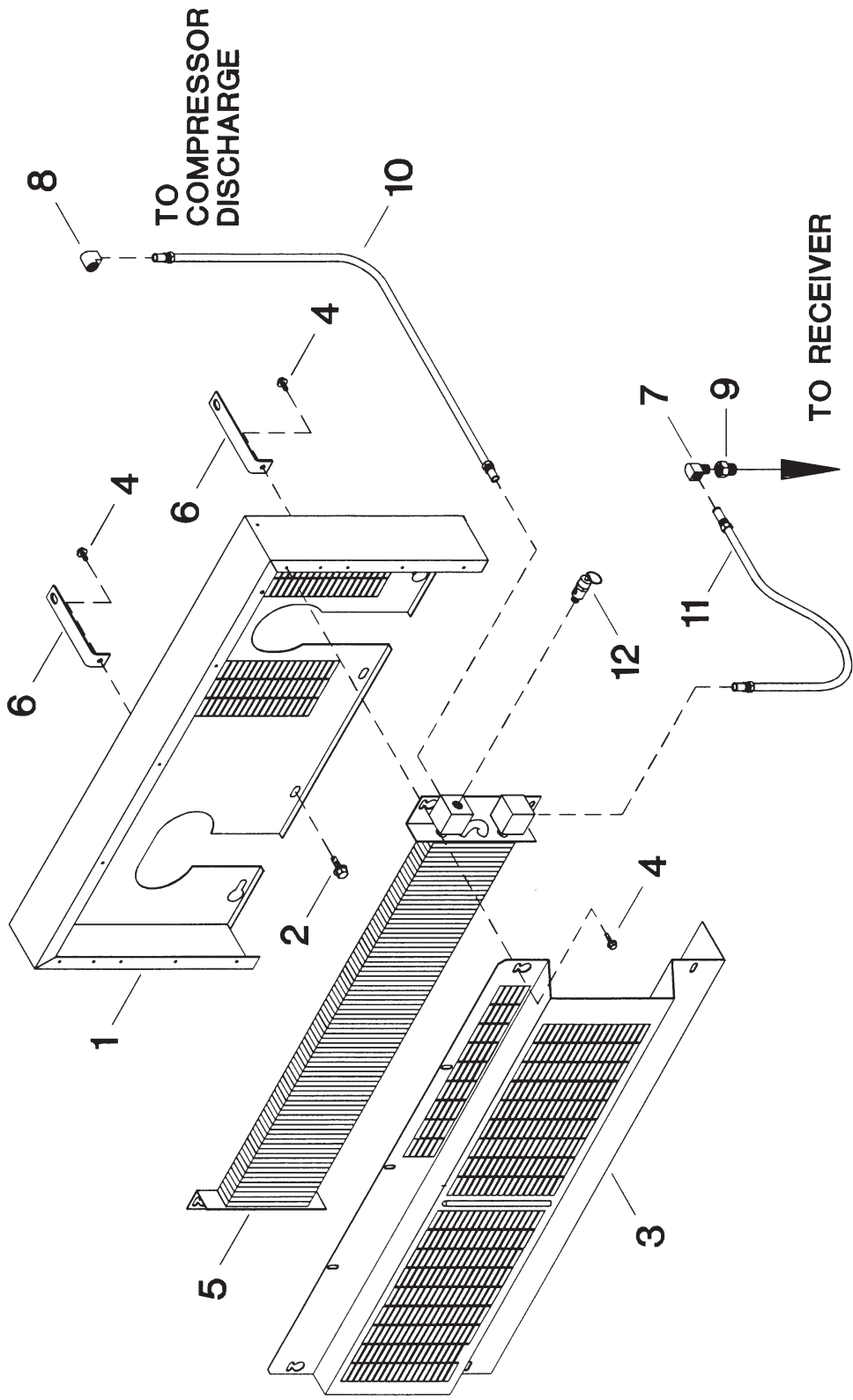
FIGURE 9. TYPICAL WIRE BELTGUARD.



| REF. NO. | PART NUMBER (QTY.) | DESCRIPTION | | | |
|----------|--------------------|--------------|--------------|--|--|
| 2340X2 | 2340D2 | 2340N2 | 2-2340D2 | BACK, BELTGUARD — WIRE TYPE BELTGUARD | |
| H2340X2 | 2340D3 | 2340N3 | 2-2340D3 | COVER, BELTGUARD — WIRE TYPE BELTGUARD | |
| 2340X3 | H2340D3 | | | CLIP, PLASTIC — WIRE TYPE BELTGUARD | |
| H2340X3 | | | | BRACE, BELTGUARD — WIRE TYPE BELTGUARD | |
| 9-1 | 32310872 (1) | 32499162 (1) | 32310872 (1) | 32310872 (2) | BACK, BELTGUARD — WIRE TYPE BELTGUARD |
| 9-2 | 32310880 (1) | 32499170 (1) | 32310880 (1) | 32310880 (2) | COVER, BELTGUARD — WIRE TYPE BELTGUARD |
| 9-3 | 32496093 (4) | 32496093 (4) | 32496093 (4) | 32496093 (4) | CLIP, PLASTIC — WIRE TYPE BELTGUARD |
| 9-4 | 32295321 (1) | 32295321 (1) | 32295321 (1) | 32295321 (1) | BRACE, BELTGUARD — WIRE TYPE BELTGUARD |
| 9-5 | 32164634 (5) | 97331458 (4) | 32164634 (5) | 32164634 (5) | CAPSCREW |
| 9-6 | 95294278 (5) | 95294278 (1) | 95294278 (5) | 95294278 (5) | WASHER |
| 9-7 | 39128558 (5) | 39128558 (1) | 39128558 (5) | 39128558 (5) | NUT, WHIZ-LOCK |
| 9-8 | — | — | — | — | CAPSCREW |

(This page intentionally left blank)

FIGURE 10. BELTGUARD & AIR COOLED AFTERCOOLER.



BELTGUARD & AIR COOLED AFTERCOOLER

| REF. NO. | PART NUMBER (QTY.) | | | DESCRIPTION |
|----------|--------------------|---------------|---------------|--|
| | 2340X2 | 2340D2 | 2340N2 | 2-2340D2 |
| | H2340X2 | 2340D3 | 2340N3 | 2-2340D3 |
| | 2340X3 | H2340D3 | | |
| | H2340X3 | | | |
| 10-1 | 32281040 (1) | 32281040 (1) | 32281040 (2) | BACK, BELTGUARD — SHEET METAL BELTGUARD |
| 10-2 | 32000705 (4) | 32000705 (4) | 32000705 (8) | SCREW, TAPPING — 1/4 X 3/4" |
| 10-3 | 32281073 (1) | 32281073 (1) | 32281073 (2) | COVER, ACAC |
| 10-4 | 32187056 (14) | 32187056 (14) | 32187056 (28) | SCREW, SELF-DRILLING |
| 10-5 | 32498149 (1) | 32498149 (1) | 32498149 (2) | COIL, ACAC |
| 10-6 | 32295321 (2) | 32295321 (2) | 32295321 (4) | BRACE, BELTGUARD — SHEET METAL BELTGUARD |
| 10-7 | — | 95083226 (1) | 95083226 (2) | CONNECTOR — 5/8 X 1/2" |
| 10-8 | 95031795 (1) | 95031795 (2) | 95031795 (2) | ELBOW, TUBE — 5/8 X 1/2" |
| 10-9 | — | 97162812 (1) | 97162812 (1) | VALVE, CHECK — 3/4 X 1/2" |
| 10-10 | 32498206 (1) | 32498206 (1) | 32498206 (2) | TUBE, COMPRESSOR TO AFTERCOOLER |
| 10-11 | — | 32498214 (1) | 32498222 (1) | TUBE, AFTERCOOLER TO RECEIVER |
| 10-12 | 32174286 (1) | 32174286 (1) | 32174286 (2) | VALVE, SAFETY/RELIEF |
| NI | — | 95006540 (1) | — | TEE, PIPE — 1/2" |
| NI | — | 95033593 (1) | 95033593 (2) | PLUG, PIPE — 1/4" |
| NI | — | — | 32186421 (2) | BUSHING, REDUCING — 1 X 3/4" |
| NI | — | — | 95006565 (1) | TEE, PIPE — 1" |
| NI | — | — | 95408787 (1) | NIPPLE, LONG — 1 X 3-1/2" |
| NI | — | — | 32131724 (2) | COUPLING, PIPE — 1" |

The automatic drain valve removes condensed water and oil from compressed air systems without restricting air flow, creating pressure drops or opening the system to the atmosphere. Its unique design maintains systems pressure and volume during operation, and increases productivity.

| REF. NO. | PART NUMBER | DESCRIPTION |
|----------|-------------|--|
| REF. | 32296238 | VALVE, AUTOMATIC DRAIN (SIMPLEX UNITS) |
| REF. | 32310690 | VALVE, AUTOMATIC DRAIN (DUPLIX UNITS) |
| 11-1 | 32310971 | KIT, WATER CAP ASSEMBLY |
| 11-2 | 32314924 | KIT, BODY/PISTON ASSEMBLY (FOR 32296238 VALVE) |
| 11-2 | 32296246 | KIT, BODY/PISTON ASSEMBLY (FOR 32310690 VALVE) |
| 11-3 | 32310997 | KIT, ONE WAY VALVE |
| 11-4 | 32496317 | RESERVOIR, STANDARD CAPACITY |
| 11-4 | 32496309 | RESERVOIR, HIGH CAPACITY |
| 11-5 | 32311060 | ELBOW, TUBE — 1/4" |

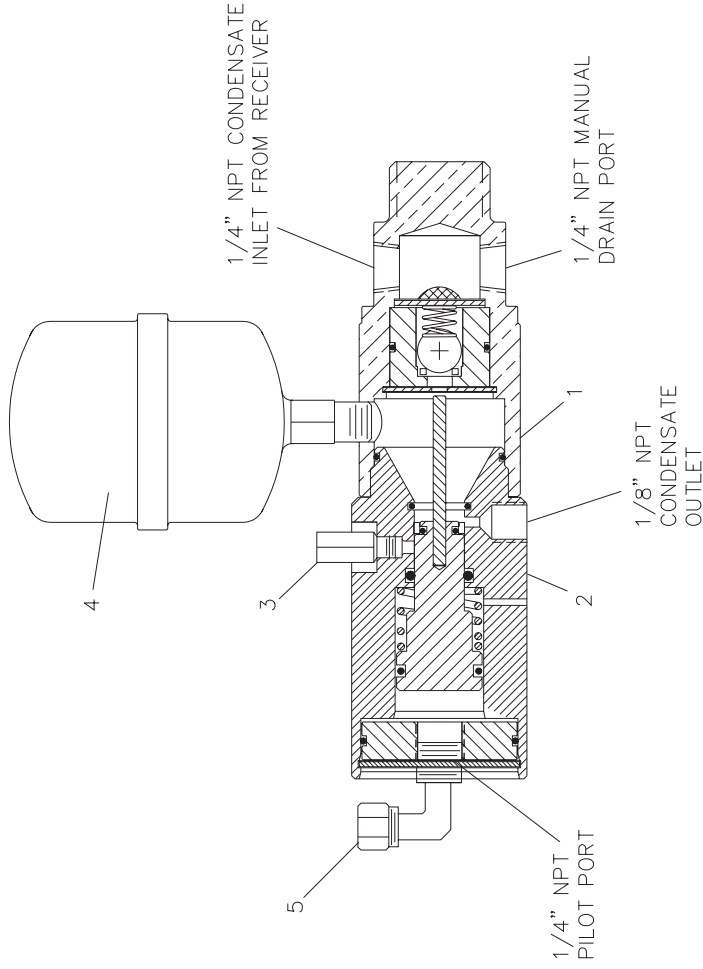
* The high capacity reservoir gives the automatic drain valve twice as much condensate storage capacity during the pumping cycle. This larger reservoir is available as an upgrade. A larger reservoir is recommended for use on heavily-loaded simplex compressors with long pumping cycles and/or operating in extremely humid environments. If the pumping cycle exceeds one hour, then an electric timer kit should be used.

AUTOMATIC DRAIN VALVE TIMER KITS

An automatic drain valve timer kit resolves application problems in which an existing automatic drain valve cycles too infrequently. A timer generates the pneumatic signals for actuating the automatic drain valve. With a timer, the automatic drain valve operates independently of the compressor unload cycles.

| PART NUMBER | DESCRIPTION |
|-------------|---|
| 32499964 | KIT, ELECTRIC TIMER - AUTOMATIC DRAIN VALVE |

FIGURE 11. AUTOMATIC DRAIN VALVE REPLACEMENT PARTS.



MAINTENANCE PAKS

Maintenance paks contain all the parts necessary for one complete routine maintenance service of your compressor. All-Season T30 Select lubricant, air filter elements, gaskets, drive belts, and instructions are standard with all maintenance paks.

| PART NUMBER | MODEL |
|-------------|--------|
| 38485132 | 2340L5 |

VIBRATION ISOLATOR PADS

Vibration isolator pads are designed to absorb 40%-60% of the sound and vibration of your compressor.

| PART NUMBER | DESCRIPTION |
|-------------|---|
| 32320681 | PAD, VIBRATION ISOLATOR - 4" X 4" SP-NR |
| 32320699 | PAD, VIBRATION ISOLATOR - 5" X 5" SP-NR |
| 32321002 | PAD, VIBRATION ISOLATOR - 4" X 4" NRC |
| 32321028 | PAD, VIBRATION ISOLATOR - 5" X 5" NRC |
| 32321010 | PAD, VIBRATION ISOLATOR - 6" X 6" NRC |

SP-NR: Steel plate bonded between a NR pad and a non-skid oil-resistant ribbed neoprene top pad.

NRC: Two ribbed neoprene pads bonded to 1/2" cork pad.

COMPRESSOR LUBRICANT

All Season T30 Select® is an all-temperature diester synthetic lubricant that is formulated for exceptional lubrication at low, normal and high operating temperatures.

| PART NUMBER | DESCRIPTION |
|-------------|--|
| 32318875 | LUBRICANT, ALL SEASON T30 SELECT - QUART |
| 32318883 | LUBRICANT, ALL SEASON T30 SELECT - CASE OF 12 QUARTS |

CRANKCASE HEATER KITS

Crankcase heaters are recommended when ambient temperatures are consistently below 32°F (0°C). An easy-to-install external crankcase heater kit is intended for aftermarket use. Two kits may be required for some applications.

| PART NUMBER | DESCRIPTION |
|-------------|-----------------------|
| 97330385 | KIT, CRANKCASE HEATER |

START-UP KITS

Each start-up kit contains the necessary quantities of All Season T30 Select lubricant and air filter element(s) to start-up and maintain your compressor for the first year. Start-Up kits for gasoline engine driven models also include a replacement engine air filter, engine oil filter, and engine lubricant. See the engine manufacturer's instructions for more detailed engine care information.

| PART NUMBER | DESCRIPTION |
|-------------|----------------------|
| 32305880 | KIT, START-UP — 2340 |

STEP SAVER KITS

Step Saver Kits provide all of the parts required to perform common repair or scheduled maintenance tasks, such as piston ring replacement or valve replacement.

| PART NUMBER | DESCRIPTION | CONTENTS |
|-------------|---|---|
| 32304610 | KIT, VALVE/GASKET | Valve wearing parts and head gaskets that are destroyed in replacing valve parts. |
| 32304602 | KIT, RING/GASKET | Complete set of piston rings, a crankshaft seal, and gaskets that are destroyed in breaking the unit down to replace the rings. |
| 32127359 | KIT, BEARING/CONNECTING ROD SET, GASKET | Set of connecting rods, main bearings, and a crankpin bushing, a gasket set is recommended with this kit. |
| 32319451 | KIT, OVERHAUL | Complete set of gaskets that are destroyed in breaking the unit down for service. Recommended with bearing/connecting rod kit or as spare gaskets. All of the above for complete overhaul service. |

LOOK WHAT INGERSOLL-RAND CAN DO FOR YOU!



Efficient Field Service

We maintain a highly trained staff of technicians to service your equipment for preventive maintenance, or to assist you should emergencies ever occur.



Complete Repair Service

Our trained technicians will repair or overhaul your equipment to factory specifications, using only genuine I-R parts.



Special Engineering Service

We can help you identify and solve your problems by evaluating your needs and recommending the proper equipment to give you maximum efficiency.



Spare Parts

By stocking genuine I-R spare parts, we can help you avoid costly delays or substituting inferior parts. Using genuine I-R parts on your I-R equipment will help to keep even older equipment running in good-as-new condition.



Complete Stock of Equipment

We carry a complete line of I-R equipment and accessories designed to meet any compressed air application. We are backed by I-R's prompt factory shipment to ensure you on-time delivery.

A SUBSTITUTE IS NOT A REPLACEMENT!

Ensure you get peak performance and longevity out of your Ingersoll-Rand product by insisting on genuine Ingersoll-Rand replacement parts and maintenance kits. Not only are the replacement parts made to precise dimensions and OEM-specified metallurgy, but each part is backed by the Ingersoll-Rand warranty. Your local Air Center, Distributor, or direct Ingersoll-Rand salesperson will work with you to ensure you get the parts you need to do the job right. Equip your machines with only the best — Ingersoll-Rand genuine parts.

NOTE: THE USE OF REPAIR PARTS OTHER THAN THOSE INCLUDED WITHIN THE INGERSOLL-RAND COMPANY APPROVED PARTS LIST MAY CREATE UNSAFE CONDITIONS OR MECHANICAL FAILURES OVER WHICH INGERSOLL-RAND COMPANY HAS NO CONTROL. INGERSOLL-RAND COMPANY SHALL BEAR NO RESPONSIBILITY FOR EQUIPMENT ON WHICH NON-APPROVED REPAIR PARTS ARE INSTALLED.

The manufacturer reserves the right to make changes or add improvements without notice and without incurring any obligation to make such changes to products previously sold.