

Owner's Manual

Installation, Operation and Maintenance Instructions for Model 2340

CONTENTS	
Safety	1
General Information	2
Receipt & Inspection	2
Installation	2
Operation	4
Maintenance	4
Troubleshooting	5
Warranty	6

SAFETY

DEFINITIONS

⚠ DANGER: WILL cause DEATH, SEVERE INJURY or substantial property damage.

⚠ WARNING: CAN cause DEATH, SEVERE INJURY or substantial property damage.

⚠ CAUTION: WILL or CAN cause MINOR INJURY or property damage.

BREATHING AIR PRECAUTION

Ingersoll-Rand air compressors are not designed, intended or approved for breathing air. Compressed air should not be used for breathing air applications unless treated in accordance with all applicable codes and regulations.

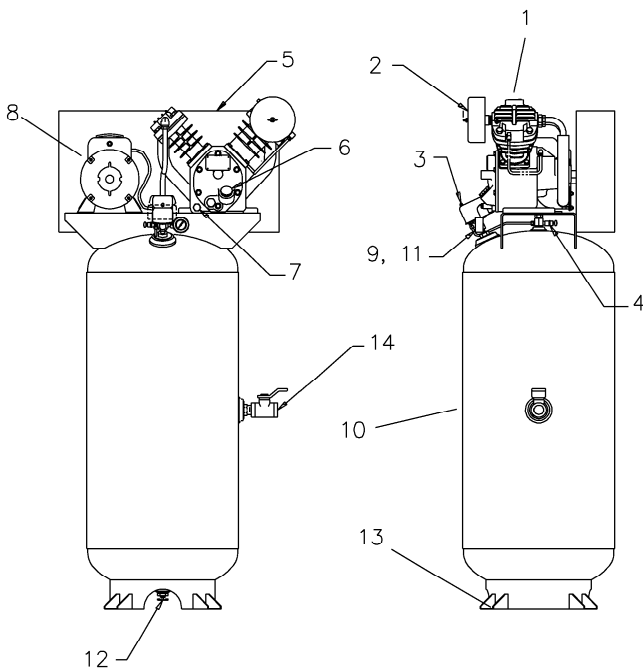
GENERAL SAFETY PRECAUTIONS

- Do not directly inhale compressed air.
- Follow precautions on container labels before spraying materials such as paint, insecticide and weed killer.
- Wear a respirator and safety glasses when spraying.
- Do not over-pressurize the receiver tank or similar vessels beyond design limits.
- Do not use a receiver tank or similar vessels that fail to meet the design requirements of the compressor. Contact your dealer for assistance.
- Do not drill into, weld or otherwise alter the receiver tank or similar vessels.
- Do not remove, adjust, bypass, change, modify or make substitutions for safety/relief valves, pressure switches or other pressure control related devices.
- Do not use air tools or attachments without first determining the maximum pressure recommended for that equipment.
- Do not point air nozzles or sprayers toward anyone.
- Do not touch the compressor pump, motor or engine or discharge tubing during or shortly after operation. These parts become hot.
- Wear eye protection when operating or servicing compressor.
- Do not operate where flammable or explosive liquids or vapors such as gasoline, natural gas and solvents are present.
- Do not operate with guards or shields removed, damaged or broken.
- Do not remove, paint over or deface decals. Replace any missing decals.

Safety Decal (Located on Receiver Tank)

A DANGER / PELIGRO / DANGER		A WARNING / ADVERTENCIA / AVERTISSEMENT		
<p>INTAKE AIR. Can contain carbon monoxide or other contaminants. Will cause serious injury or death. Ingersoll-Rand air compressors are not designed, intended or approved for breathing air. Compressed air should not be used for breathing air applications unless treated in accordance with all applicable codes and regulations.</p> <p>AIRE DE ADMISION. Puede contener monóxido de carbono u otros contaminantes. Puede causar lesiones graves o la muerte. Los compresores de aire Ingersoll-Rand no están diseñados, destinados para aire respirable. No se debe usar el aire comprimido para aplicaciones de aire respirable a menos que se trate de acuerdo con todas las normas y reglamentos correspondientes.</p> <p>AIR D'ADMISSION. Peut contenir du monoxyde de carbone ou d'autres contaminants. Cause des blessures graves ou la mort. Les compresseurs Ingersoll-Rand n'ont été conçus, ni destinés, ni approuvés pour la compression d'air respirable. L'air comprimé ne doit être utilisé pour la respiration au moins qu'il ait été traité d'après les normes et règlements en vigueur pour cette application.</p>	<p>HAZARDOUS VOLTAGE. Can cause serious injury or death. Disconnect power before servicing. Lockout/Tagout machine.</p> <p>VOLTAJE PELIGROSO. Puede causar lesiones graves o la muerte. Desconecte la energía antes de inspeccionar y dar mantenimiento a la máquina. Bloquear/etiquetar la máquina.</p> <p>TENSION DANGEREUSE. Elle Peut causer des blessures graves ou la mort. Débrancher l'alimentation avant de réparer. Verrouiller/étiqueter la machine.</p>	<p>HIGH PRESSURE AIR. Bypassing, modifying or removing safety/relief valves can cause serious injury or death. Do not bypass, modify or remove safety/relief valves. Do not direct air stream at body.</p> <p>AIRE DE ALTA PRESION. La derivación, modificación o retiro de las válvulas de seguridad/alivio puede causar lesiones graves o la muerte. No derive, modifique o retire las válvulas de seguridad/alivio.</p> <p>AIR SOUS PRESSION ÉLEVÉE. Le contournement, la modification ou le retrait de soupapes de sécurité/décharge peut causer des blessures graves ou la mort. Ne pas contourner, modifier ou retirer les soupapes de sécurité/décharge.</p>	<p>A CAUTION / PRECAUCION / PRUDENCE</p> <p>RISK OF BURSTING. Use only suitable air handling parts acceptable for pressure of not less than the maximum allowable working pressure of the machine.</p> <p>RISQUE DE EXPLOSION. Utilisez seulement des pièces de manipulation de aire adéquadas que sean aceptables para presiones no menores a la presión máxima de trabajo admisible de la máquina.</p> <p>RISQUE DE DÉLIASSAGE. Utilisez seulement des parties à manipulation d'air acceptables pour des pressions non inférieures à la pression minimale de travail consentie par la machine.</p>	
	<p>MOVING PARTS. Can cause serious injury. Do not operate with guards removed. Machine may start automatically. Disconnect power before servicing. Lockout/Tagout machine.</p> <p>PARTES MÓVILES. Puede causar lesiones graves. No opere la máquina si se ha retirado el protector. La máquina puede empezar a funcionar automáticamente. Desconecte la energía ante de darle servicio a la máquina. Bloquear/etiquetar la máquina.</p> <p>PIÈCES TOURNANTES. Peut causer des blessures graves. Ne pas opérer sans protections. La machine peut commencer automatiquement. Débrancher avant le service. Verrouiller/étiqueter la machine.</p>			<p>HOT SURFACES. Can cause serious injury. Do not touch. Allow to cool before servicing.</p> <p>SUPERFICIE CALIENTE. Puede causar lesiones graves. No tocar. Deje que se enfríe antes de dar servicio.</p> <p>SURFACE CHAUDE. Peut causer des blessures graves. Ne pas toucher. Attendez le refroidissement avant de réparer.</p>
	<p>INGERSOLL-RAND</p>			

GENERAL INFORMATION



1. Bare compressor pump
2. Air inlet filter assembly
3. Pressure switch
4. Discharge safety/relief valve
5. Beltguard
6. Lubricant fill
7. Lubricant drain
8. Electric motor
9. Pressure gauge
10. Air receiver tank
11. Air receiver tank safety/relief valve
12. Manual drain valve
13. Mounting holes
14. Service valve (air outlet)

NOTE: Component locations and appearance may vary. Designs and specifications are subject to change without notice or obligation.

Your air compressor unit is suitable for operating paint spray guns, air tools, caulking guns, grease guns, sandblasters, etc. Depending on your application, the following accessories may be required:

- An air pressure regulator to adjust the air pressure entering the tool or accessory.
- An air line filter for removal of moisture and oil vapor in compressed air when a paint spray gun is used.
- An in-line lubricator to prolong the life of air tools.
- Separate air transformers which combine the functions of air regulation and/or moisture and dirt removal.

Contact your nearest authorized dealer for more information on air tools and accessories for your application.

RECEIPT & INSPECTION

Ensure adequate lifting equipment is available for unloading and moving your unit to the installation site.

NOTE: Lifting equipment must be properly rated for the weight of the unit.

Lift the unit by the shipping skid only. Use straps to prevent tipping.

⚠ CAUTION! Do not work on or walk under the compressor while it is suspended.

Before signing the delivery receipt, inspect for damage and missing parts. If damage or missing parts are apparent, make the appropriate notation on the

delivery receipt, then sign the receipt. Immediately contact the carrier for an inspection. All material must be held in the receiving location for the carrier's inspection. Delivery receipts that have been signed without a notation of damage or missing parts are considered to be delivered "clear." Subsequent claims are then considered to be concealed damage claims. Settle damage claims directly with the transportation company.

If you discover damage after receiving the compressor (concealed damage), the carrier must be notified within 15 days of receipt and an inspection must be requested by telephone with confirmation in writing. On concealed damage claims, the burden of establishing that the compressor was damaged in transit reverts back to the claimant.

Read the compressor nameplate to verify it is the model ordered, and read the motor nameplate to verify it is compatible with your electrical conditions. Make sure electrical enclosures and components are appropriate.

INSTALLATION

SELECTING A LOCATION

General. Select a well-lighted indoor area with plenty of space for proper cooling air flow and accessibility. Locate the compressor at least 12 inches (30 cm) from walls, and make sure the main power supply is clearly identified and accessible.

Temperature. Ideal operating temperatures are between 32°F and 100°F (0°C and 37.8°C). If temperatures consistently drop below 32°F (0°C), install the compressor inside a heated building. If this is not possible, you must protect safety/relief valves and drain valves from freezing. If temperatures are consistently below 40°F (4.4°C), consider installing a crankcase heater kit, especially if the compressor has difficulty starting.

⚠ CAUTION! Never operate in temperatures below -15°F (-26.1°C) or above 125°F (51.0°C).

Humid Areas. In frequently humid areas, moisture may form in the bare pump and produce sludge in the lubricant, causing running parts to wear out prematurely. Excessive moisture is especially likely to occur if the compressor is located in an unheated area that is subject to large temperature changes.

Two signs of excessive humidity are external condensation on the compressor when it cools down and a "milky" appearance in petroleum lubricant.

You may be able to prevent moisture from forming in the pump by increasing ventilation, operating for longer intervals or installing a crankcase heater kit.

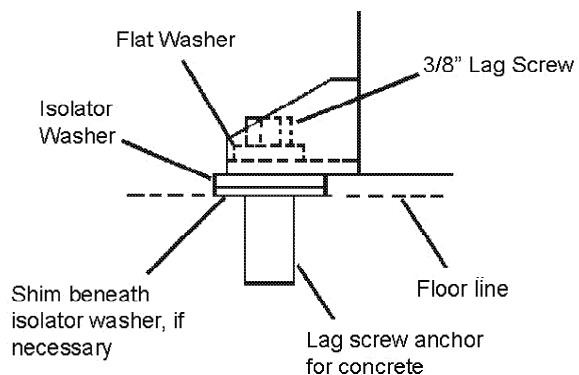
Noise Considerations. Consult local officials for information regarding acceptable noise levels in your area. To reduce excessive noise, use vibration isolator pads or intake silencers, relocate the compressor or construct total enclosures or baffle walls. Contact your dealer for assistance.

MOUNTING

⚠ WARNING! Remove the unit from the skid before mounting.

The unit must be permanently mounted. Bolt the unit to a firm, level foundation (such as a concrete floor). Do not bolt uneven feet tightly to the foundation, as this will cause excessive stress on the receiver tank. Use metal shims under the "short" feet if necessary.

Typical Permanent Mounting (Customer-Supplied Hardware)



INSTALLING THE AIR INLET FILTER

⚠ CAUTION! Do not operate without air inlet filter.

If the air around the compressor is relatively free of dirt, install the air inlet filter at the inlet connection at the bare pump. If remote air inlet piping or heavy duty filtration is required, contact your dealer for information.

INSTALLING DISCHARGE PIPING

If it is necessary to install air discharge and condensate discharge piping, adhere to the following general guidelines. Contact your dealer for information.

⚠ WARNING: If an aftercooler, check valve, block valve, or any other restriction is added to the compressor discharge, install a properly-sized ASME approved safety/relief valve between the compressor discharge and the restriction.

⚠ CAUTION: If you will be using Ingersoll-Rand Synthetic Lubricant, all downstream piping material and system components must be compatible. Refer to the following material compatibility list. If there are incompatible materials present in your system, or if there are materials not included in the list, contact your dealer.

Suitable

Viton®, Teflon®, Epoxy (Glass Filled), Oil Resistant Alkyd, Fluorosilicone, Fluorocarbon, Polysulfide, 2-Component Urethane, Nylon, Delrin®, Celcon®, High Nitrile Rubber (Buna N. NBR more than 36% Acrylonitrile), Polyurethane, Polyethylene, Epichlorohydrin, Polyacrylate, Melamine, Polypropylene, Baked Phenolics, Epoxy, Modified Alkyds (® indicates trademark of DuPont Corporation)

Not Recommended

Neoprene, Natural Rubber, SBR Rubber, Acrylic Paint, Lacquer, Varnish, Polystyrene, PVC, ABS, Polycarbonate, Cellulose Acetate, Low Nitrile Rubber (Buna N. NBR less than 36% Acrylonitrile), EPDM, Ethylene Vinyl Acetate, Latex, EPR, Acrylics, Phenoxy, Polysulfones, Styrene Acrylonitrile (San), Butyl

⚠ NOTE: All compressed air systems generate condensate which accumulates in any drain point (e.g. tanks, filters, drip legs, aftercoolers, dryers). This condensate contains lubricating oil and/or substances which may be regulated and must be disposed of in accordance with local, state, and federal laws and regulations.

General Requirements. The piping, fittings, receiver tank, etc. must be certified safe for at least the maximum working pressure of the unit. Use hard-welded or threaded steel or copper pipes and cast iron fittings that are certified safe for the unit's discharge pressure and temperature. **DO NOT USE PVC PLASTIC.** Use pipe thread sealant on all threads, and make up joints tightly to prevent air leaks.

Condensate Discharge Piping. If installing a condensate discharge line, the piping must be at least one size larger than the connection, as short and direct as possible, secured tightly and routed to a suitable drain point. Condensate must be disposed of in accordance with local, state, and federal laws and regulations.

ELECTRICAL WIRING

⚠ WARNING! Electrical installation and service should be performed by a qualified electrician who is familiar with all applicable local, state and federal laws and regulations.

NOTE: This product should be connected to a grounded, metallic, permanent wiring system, or an equipment-grounding terminal or lead on the product.

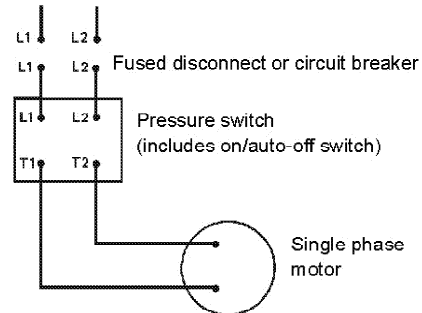
General. The motor rating, as shown on the motor nameplate, and the power supply must have compatible voltage, phase and hertz characteristics.

Wire Size The electrical wiring between the power supply and electric motor varies according to motor horsepower. Power leads must be adequately sized to protect against excessive voltage drop during start-up. Information for selecting the proper wire size and securing connections should be provided with the motor. If not, refer to the National Electric Code (NEC) or applicable local, state and federal laws and regulations. If other electrical equipment is connected to the same circuit, the total electrical load must be considered in selecting the proper wire size. **DO NOT USE UNDERSIZE WIRE.**

Fuses Refer to the National Electric Code to determine the proper fuse or circuit breaker rating required. When selecting fuses, remember the momentary starting current of an electric motor is greater than its full load current. Time-delay or "slow-blow" fuses are recommended.

Single-Phase Wiring

T = Supply Line Terminal
L = Load Terminal



COMPRESSOR LUBRICATION

⚠ CAUTION! Do not operate without lubricant or with inadequate lubricant. Ingersoll-Rand is not responsible for compressor failure caused by inadequate lubrication.

Synthetic Lubricant. We recommend Ingersoll-Rand synthetic lubricant from start-up. See the WARRANTY section for extended warranty information.

Alternate Lubricants. You may use a petroleum-based lubricant that is premium quality, does not contain detergents, contains only anti-rust, anti-oxidation, and anti-foam agents as additives, has a flashpoint of 440°F (227°C) or higher, and has an auto-ignition point of 650°F (343°C) or higher. Remember using a lubricant other than Ingersoll-Rand synthetic lubricant from start-up limits warranty to one year.

See the petroleum lubricant viscosity table below. The table is intended as a general guide only. Heavy duty operating conditions require heavier viscosities. Refer specific operating conditions to your dealer for recommendations.

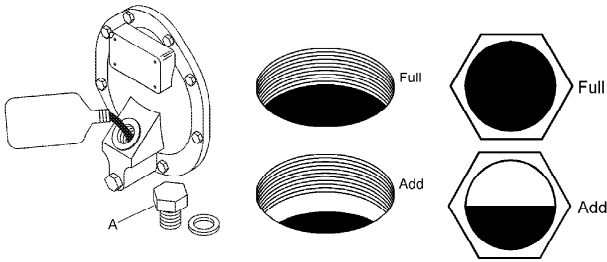
Temperature Around Unit	Viscosity @ 100°F (37.8°C)		Viscosity Grade		
	F	°C	SUS	Centistokes	ISO
40 & below	4.4 & below	150	32	32	10
40 - 80	4.4 - 26.7	500	110	100	30
80 - 125	26.7 - 51.0	750	165	150	40

If you use a petroleum-based compressor lubricant at start-up and decide to convert to Ingersoll-Rand synthetic lubricant later on, the compressor valves must be decarbonized and the crankcase must be flushed before conversion.

Filling Procedures.

1. Unscrew and remove the oil fill plug (A).
2. Slowly fill the crankcase with lubricant until the lubricant reaches the bottom thread of the oil fill opening and the center of the sight glass. Crankcase capacity is 28 oz. (827 ml.)
3. Replace the oil fill plug HAND TIGHT ONLY.

Filling Procedures



INITIAL START-UP

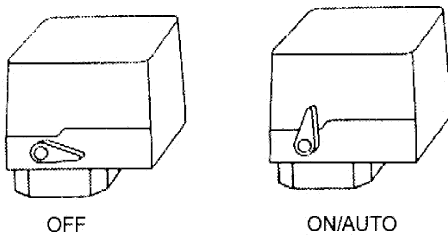
Follow this procedure before putting the unit into service for the first time:

1. Set the pressure switch lever (A) to "OFF".
2. Open the service valve (B) fully to prevent air pressure from building in the tank.
3. Move the pressure switch lever to "ON/AUTO". The unit will start.
4. Run the unit for 30 minutes. Ensure the service valve is fully open and there is no tank pressure build up.

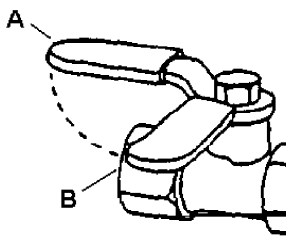
⚠ CAUTION: Unusual noise or vibration indicates a problem. Do not continue to operate until you identify and correct the source of the problem. IF EMERGENCY CONDITIONS ARE ENCOUNTERED, SHUT OFF THE MAIN POWER IMMEDIATELY.

5. After 30 minutes, close the service valve fully. The air receiver will fill to cut-out pressure and the motor will stop. The unit is now ready for use.

Pressure Switch Lever



Service Valve



OPERATION

GENERAL

Your air compressor was designed for 100% continuous duty operation with the use of Ingersoll-Rand Synthetic Lubricant and 60% continuous duty operation with the use of petroleum lubricant. In other words, synthetic lubricant allows the compressor to pump continuously without cycling, and petroleum lubricant limits the compressor to a maximum of 36 minutes of pumping time per hour. The compressor should not cycle more than 10 times per hour.

NORMAL START-UP

1. Set the pressure switch lever to "OFF".
2. Close the service valve.
3. Attach hose and accessory.
4. Move the pressure switch lever to "ON/AUTO". The unit will start.
5. Allow tank pressure to build. The motor will stop when tank pressure reaches cut-out pressure.
6. Open the service valve. The unit is now ready for use.

NOTE: When the receiver tank pressure drops below the factory pre-set minimum, the pressure switch resets and restarts the unit.

When you are finished:

1. Set the pressure switch lever to "OFF".
2. Close the service valve fully.
3. Remove the air tool or accessory.
4. Slowly open the service valve to bleed air pressure down to 20 psig.
5. Slowly open the manual drain valve at the bottom of the tank to drain all condensate (water).
6. Close the drain valve and the service valve for the next use.

MAINTENANCE

⚠ WARNING! Disconnect, lock and tag main power supply and release air pressure from system before performing maintenance.

NOTE: All compressed air systems contain maintenance parts (e.g. lubricating oil, filters, separators) which are periodically replaced. These used parts may be, or may contain, substances that are regulated and must be disposed of in accordance with local, state, and federal laws and regulations.

NOTE: Take note of the positions and locations of parts during disassembly to make reassembly easier. The assembly sequences and parts illustrated may differ for your particular unit.

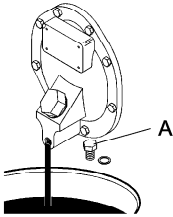
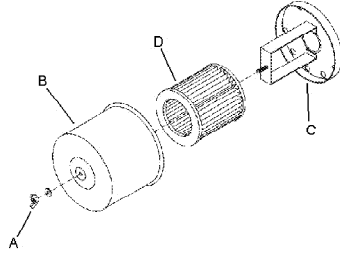
NOTE: Any service operations not included in this section should be performed by an authorized service representative.

- | | |
|---------------------------------------|--|
| Daily or Before Each Operation | <ul style="list-style-type: none"> ● Check lubricant level. Fill as needed. ● Drain receiver tank condensate. Open manual drain valve and collect and dispose of condensate accordingly. ● Check for unusual noise and vibration. ● Ensure beltguards and covers are securely in place. ● Ensure area around compressor is free from rags, tools, debris, and flammable or explosive materials. |
| Weekly | <ul style="list-style-type: none"> ● Inspect air filter element(s). Clean if necessary. |
| Monthly | <ul style="list-style-type: none"> ● Inspect for air leaks. Squirt soapy water around joints during compressor operation and watch for bubbles. ● Check tightness of screws and bolts. Tighten as needed. ● Clean exterior. |
| 3/500 * | <ul style="list-style-type: none"> ● Change petroleum lubricant while crankcase is warm. |
| 12/2000 * | <ul style="list-style-type: none"> ● Change synthetic lubricant while crankcase is warm. ● Replace filter element. |

* indicates months/operating hours, whichever occurs first.

FILTER INSPECTION & CLEANING

1. Unscrew and remove the wing nut (A) securing the filter housing (B) to its base (C).
2. Remove the filter housing and withdraw the old filter element (D). Clean the element with a jet of air or vacuum.
3. Replace the filter element and housing, securing it in place with the wing nut previously removed.



OIL CHANGE

1. Remove the oil drain plug (A) and allow the lubricant to drain into a suitable container.
2. Replace the oil drain plug.
3. Follow the filling procedures in OPERATION section.

TROUBLESHOOTING

This section provides a list of the more frequently encountered malfunctions, their causes and corrective actions. Some corrective actions can be performed by the operator or maintenance personnel, and others may require the assistance of a qualified electrician or your dealer.

PROBLEM	CHECK POINT	POSSIBLE SOLUTION
Abnormal piston, ring or cylinder wear	4, 8, 9, 18, 23, 29	
Air delivery drops off	1, 6, 15, 17, 18, 24	
Broken intercooler or aftercooler tubes	30	
Compressor does not come up to speed	2, 6, 12, 15, 20	
Compressor is slow to come up to speed	27, 28	
Compressor runs excessively hot	3, 14, 15	
Excessive noise during operation	2, 6, 15, 20, 22, 27	
Excessive starting and stopping	5, 11, 16, 27, 31	
Knocks or rattles	2, 15, 16, 18, 19, 20	
Lights flicker or dim when running	12, 13	
Moisture in crankcase or "milky" appearance in petroleum lubricant or rusting in cylinders	9, 10	
Motor overload trips or draws excessive current	5, 6, 12, 13, 14, 15, 18, 19, 20, 28	
Oil in discharge air (oil pumping)	4, 7, 9, 17, 18, 21, 29	
Oil leaking from shaft seal	21	
Safety/relief valve "pops"	1, 5, 24, 25	
High interstage pressure	25	
Low interstage pressure	26	
Motor will not start	12	
CHECK POINT	POSSIBLE CAUSE	POSSIBLE SOLUTION
1	Clogged or dirty inlet and/or discharge line filter.	Clean or replace.
2	Loose beltwheel or motor pulley, excessive end play in motor shaft or loose drive belts.	Check beltwheel, motor pulley, crankshaft, drive belt tension and alignment. Repair or replace as required.
3	Inadequate ventilation around beltwheel.	Relocate compressor for better air flow.
4	Lubricant viscosity too low.	Drain existing lubricant and refill with proper lubricant.
5	Air leaks in air discharge piping.	Check tubing and connections. Tighten joints or replace as required.
6	Lubricant viscosity too high.	Drain existing lubricant and refill with proper lubricant.
7	Lubricant level too high.	Drain excess lubricant.
8	Lubricant level too low.	Add lubricant to crankcase to proper level.
9	Detergent type lubricant being used.	Drain existing lubricant and refill with proper lubricant.

CHECK POINT	POSSIBLE CAUSE	POSSIBLE SOLUTION
10	Extremely light duty cycles. Compressor located in damp or humid location.	Run compressor for longer duty cycles. Relocate compressor or install crankcase heater kit.
11	Pressure switch differential too narrow.	Install pressure switch with differential adjustment feature if differential adjustment is desired.
12	Improper line voltage. Wiring or electric service panel too small. Poor contact on motor terminals or starter connections. Improper starter overload heaters.	Check line voltage and upgrade lines as required. Contact electrician. Install properly sized wire or service box. Contact electrician. Ensure good contact on motor terminals or starter connections. Install proper starter overload heaters. Contact electrician.
13	Poor power regulation (unbalanced line).	Contact power company.
14	Drive belts too tight or misaligned.	Adjust belts to proper tension and alignment.
15	Compressor valves leaky, broken, carbonized or loose.	Inspect valves. Clean or replace as required. Install Valve/Gasket Step Saver Kit.
16	Carbon build-up on top of piston(s).	Clean piston(s). Repair or replace as required.
17	Piston rings damaged or worn (broken, rough or scratched). Excessive end gap or side clearance. Piston rings not seated, are stuck in grooves or end gaps not staggered.	Install Ring/Gasket Step Saver Kit. Adjust piston rings.
18	Cylinder(s) or piston(s) scratched, worn or scored.	Repair or replace as required.
19	Connecting rod, piston pin or crankpin bearings worn or scored. Loose bearing spacer on crankshaft.	Inspect all. Repair or replace as required. Install Bearing/Connecting Rod Step Saver Kit.
20	Defective ball bearings on crankshaft or motor shaft.	Inspect bearings and replace if required. Install Bearing/Connecting Rod Step Saver Kit.
21	Crankshaft seal worn or crankshaft scored.	Replace seal. Install shaft sleeve if required. Install Bearing/Connecting Rod Step Saver Kit.
22	Leaking check valve or check valve seat blown out.	Replace check valve.
23	Extremely dusty atmosphere.	Install remote air inlet piping and route to source of cleaner air. Install more effective filtration.
24	Defective safety/relief valve.	Replace.
25	High pressure inlet valve leaking.	Inspect, clean or repair as required.
26	Low pressure discharge valve leaking.	Inspect, clean or repair as required.
27	Automatic start and stop mode is not suitable for air demand.	Constant speed operation required. Contact dealer for recommendations.
28	Ambient temperature too low.	Install crankcase heater kit. Convert to synthetic lubricant. Relocate compressor to warmer environment.
29	Worn cylinder finish.	Deglaze cylinder with 180 grit flex-hone.
30	Beltwheel out of balance, tubes not braced or secured, wrong pulley speed.	Check vibration level, change pulley or beltwheel if required, tighten tube clamps.
31	Excessive condensate in receiver tank.	Drain receiver tank with manual drain valve or install automatic drain valve.

WARRANTY & LIMITATION OF LIABILITY**WARRANTY**

Ingersoll-Rand Company warrants that the Equipment manufactured by it and delivered hereunder shall be free of defects in material and workmanship for a period of twelve (12) months from the date of placing the Equipment in operation or eighteen (18) months from the date of shipment, whichever shall occur first. The foregoing warranty period shall apply to all Equipment, except for the following: (A) Compressors that are operated solely on Ingersoll-Rand Synthetic Lubricant will have their bare compressor warranted for the earlier of twenty-four (24) months from the date of initial operation or thirty (30) months from the date of shipment. (B) Replacement parts will be warranted for six (6) months from the date of shipment. Should any failure to conform to this Warranty be reported in writing to the Company within said period, the Company shall, at its option, correct such nonconformity by suitable repair to such Equipment, or furnish a replacement part F.O.B. point of shipment, provided the purchaser has installed, maintained and operated such equipment in accordance with good industry practices and has complied with specific recommendations of the Company. Accessories or equipment furnished by the Company, but manufactured by others, shall carry whatever warranty the manufacturer conveyed to Ingersoll-Rand Company and which can be passed on to the Purchaser. The Company shall not be liable for any repairs, replacements, or adjustments to the Equipment or any costs of labor performed by the Purchaser without the Company's prior written approval.

The Company makes no performance warranty unless specifically stated within its proposal and the effects of corrosion, erosion and normal wear and tear are specifically excluded from the Company's Warranty. In the event performance warranties are expressly included, the Company's obligation shall be to correct in the manner and for the period of time provided above.

THE COMPANY MAKES NO OTHER WARRANTY OF REPRESENTATION OF ANY KIND WHATSOEVER, EXPRESSED OR IMPLIED, EXCEPT THAT OF TITLE, AND ALL IMPLIED WARRANTIES OF MERCHANTABILITY AND FITNESS FOR A PARTICULAR PURPOSE, ARE HEREBY DISCLAIMED.

Correction by the Company of nonconformities, whether patent or latent, in the manner and for the period of time provided above, shall constitute fulfillment of all liabilities of the Company and its Distributors for such nonconformities with respect to or arising out of such Equipment.

LIMITATION OF LIABILITY

THE REMEDIES OF THE PURCHASER SET FORTH HEREIN ARE EXCLUSIVE, AND THE TOTAL LIABILITY OF THE COMPANY, ITS DISTRIBUTORS AND SUPPLIERS WITH RESPECT TO CONTRACT OR THE EQUIPMENT AND SERVICES FURNISHED, IN CONNECTION WITH THE PERFORMANCE OR BREACH THEREOF, OR FROM THE MANUFACTURE, SALE, DELIVERY, INSTALLATION, REPAIR OR TECHNICAL DIRECTION COVERED BY OR FURNISHED UNDER CONTRACT, WHETHER BASED ON CONTRACT, WARRANTY, NEGLIGENCE, INDEMNITY, STRICT LIABILITY OR OTHERWISE SHALL NOT EXCEED THE PURCHASE PRICE OF THE UNIT OF EQUIPMENT UPON WHICH SUCH LIABILITY IS BASED.

THE COMPANY, ITS DISTRIBUTORS AND ITS SUPPLIERS SHALL IN NO EVENT BE LIABLE TO THE PURCHASER, ANY SUCCESSORS IN INTEREST OR ANY BENEFICIARY OR ASSIGNEE OF THE CONTRACT FOR ANY CONSEQUENTIAL, INCIDENTAL, INDIRECT, SPECIAL OR PUNITIVE DAMAGES ARISING OUT OF THIS CONTRACT OR ANY BREACH THEREOF, OR ANY DEFECT IN, OR FAILURE OF, OR MALFUNCTION OF THE EQUIPMENT, WHETHER OR NOT BASED UPON LOSS OF USE, LOSS PROFITS OR REVENUE, INTEREST, LOST GOODWILL, WORK STOPPAGE, IMPAIRMENT OF OTHER GOODS, LOSS BY REASON OF SHUTDOWN OR NON-OPERATION, INCREASED EXPENSES OF OPERATION, COST OF PURCHASE OF REPLACEMENT POWER, OR CLAIMS OF PURCHASER OR CUSTOMERS OF PURCHASER FOR SERVICE INTERRUPTION WHETHER OR NOT SUCH LOSS OR DAMAGE IS BASED ON CONTRACT, WARRANTY, NEGLIGENCE, INDEMNITY, STRICT LIABILITY OR OTHERWISE.



A series of horizontal lines for writing, starting from the top line and extending down to the bottom of the page. The lines are evenly spaced and cover the majority of the page's width.



A series of horizontal lines for writing, starting from the top line and extending down to the bottom of the page. The lines are evenly spaced and cover the majority of the page's width.



¡Información importante! Lea y siga estas instrucciones. Guárdelas para efectos de referencia.

Manual del usuario

Instrucciones de instalación, operación y mantenimiento para el Modelo 2340

ÍNDICE

Seguridad	1
Generalidades	2
Recibo e Inspección	2
Instalación	2
Operación	4
Mantenimiento	4
Localización y solución de fallas	5
Garantía	7

SEGURIDAD

DEFINICIONES

⚠ ¡PELIGRO! causa LA MUERTE, LESIONES GRAVES o daños importantes a la propiedad.

⚠ ¡ADVERTENCIA! PUEDE causar LA MUERTE, LESIONES GRAVES o daños importantes a la propiedad.

⚠ ¡PRECAUCIÓN! CAUSA O PUEDE CAUSAR LESIONES MENORES o daños a la propiedad.







PRECAUCIÓN RESPECTO A EQUIPOS PARA RESPIRACIÓN

Los compresores de aire Ingersoll-Rand no están diseñados, destinados ni aprobados para ser usados en aplicaciones de equipos de respiración. No se debe usar el aire comprimido en aplicaciones de respiración, a menos que éste se trate de acuerdo con todas las normas y reglamentos correspondientes.

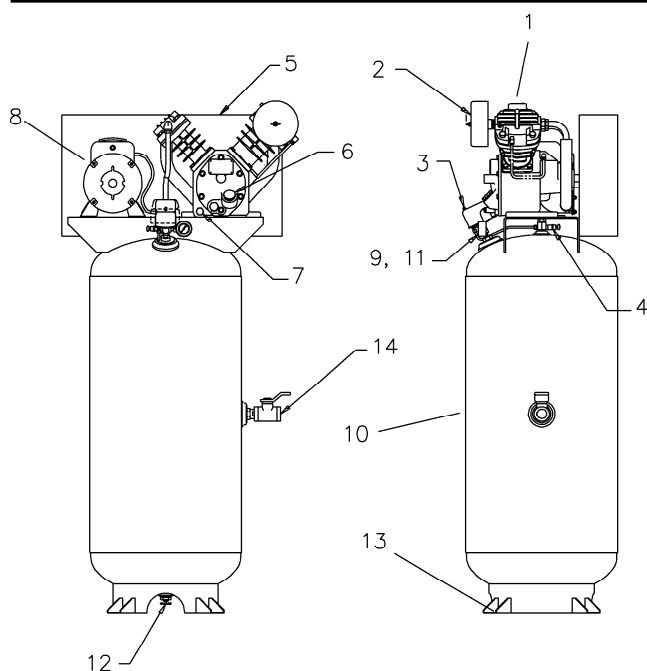
MEDIDAS GENERALES DE SEGURIDAD

- No inhale directamente el aire comprimido.
- Siga las precauciones indicadas en las etiquetas del contenedor antes de rociar productos como pintura, insecticida y herbicida.
- Al rociar, use mascarilla y gafas de seguridad.
- No someta el tanque receptor ni los receptáculos similares a presiones que excedan los límites de diseño.
- No use un tanque receptor ni otros receptáculos similares que no cumplan con los requisitos de diseño del compresor. Comuníquese con su distribuidor en caso de requerir asistencia.
- No perfore, suelde ni altere de ninguna forma ni el tanque receptor ni otros receptáculos similares.
- No extraiga, ajuste, desvíe, cambie, modifique o sustituya las válvulas de desahogo/seguridad, interruptores de presión u otros dispositivos relacionados con el control de la presión.
- No use herramientas ni accesorios neumáticos sin antes determinar la máxima presión recomendada para esos equipos.
- No apunte a las personas con las boquillas o rociadores.
- No toque el motor o la bomba del compresor ni descargue la tubería durante su operación o poco tiempo después de finalizada ésta, ya que estas piezas se calientan.
- Use protección ocular al operar o hacer el mantenimiento del compresor.
- No haga funcionar el equipo en presencia de líquidos inflamables o explosivos o de emanaciones de gasolina, gas natural o solventes.
- No haga funcionar el equipo en ausencia de protecciones o defensas o si éstas están dañadas o rotas.
- No saque, pinte ni borre las calcomanías y reemplace cualquier calcomanía que falte.

Etiqueta de seguridad (ubicada en el tanque receptor)

A DANGER / PELIGRO / DANGER		A WARNING / ADVERTENCIA / AVERTISSEMENT	
 <p>INTAKE AIR. Can contain carbon monoxide or other contaminants. Will cause serious injury or death. Ingersoll-Rand air compressors are not designed, intended or approved for breathing air. Compressed air should not be used for breathing air applications unless treated in accordance with all applicable codes and regulations.</p> <p>AIRE DE ADMISIÓN. Puede contener monóxido de carbono u otros contaminantes. Puede causar lesiones graves o la muerte. Los compresores de aire Ingersoll-Rand no están diseñados, destinados para aire respirable. No se debe usar el aire comprimido para aplicaciones de aire respirable a menos que se trate de acuerdo con todas las normas y reglamentos correspondientes.</p> <p>AIR D'ADMISSION. Peut contenir du monoxyde de carbone ou d'autres contaminants. Cause des blessures graves ou la mort. Les compresseurs Ingersoll-Rand n'ont été conçus, ni destinés, ni approuvés pour la compression d'air respirable. L'air comprimé ne doit être utilisé pour la respiration au moins qu'il ait été traité d'après les normes et règlements en vigueur pour cette application.</p>	 <p>HAZARDOUS VOLTAGE. Can cause serious injury or death. Disconnect power before servicing. Lockout/Tagout machine.</p> <p>VOLTAJE PELIGROSO. Puede causar lesiones graves o la muerte. Desconecte la energía antes de inspeccionar y dar mantenimiento a la máquina. Bloquear/etiquetar la máquina.</p> <p>TENSION DANGEREUSE. Elle Peut causer des blessures graves ou la mort. Débrancher l'alimentation avant de réparer. Verrouiller/étiqueter la machine.</p>	 <p>HIGH PRESSURE AIR. Bypassing, modifying or removing safety/relief valves can cause serious injury or death. Do not bypass, modify or remove safety/relief valves. Do not direct air stream at body.</p> <p>AIRE DE ALTA PRESIÓN. La derivación, modificación o retiro de las válvulas de seguridad/alivio puede causar lesiones graves o la muerte. No derive, modifique o retire las válvulas de seguridad/alivio.</p> <p>AIR SOUS PRESSION ÉLEVÉE. Le contournement, la modification ou le retrait de soupapes de sécurité/détente peut causer des blessures graves ou la mort. Ne pas contourner, modifier ou retirer les soupapes de sécurité/détente.</p>	
	 <p>MOVING PARTS. Can cause serious injury. Do not operate with guards removed. Machine may start automatically. Disconnect power before servicing. Lockout/Tagout machine.</p> <p>PARTES MÓVILES. Puede causar lesiones graves. No opere la máquina si se ha retirado el protector. La máquina puede empezar a funcionar automáticamente. Desconecte la energía ante de darle servicio a la máquina. Bloquear/etiquetar la máquina.</p> <p>PIECES TOURNANTES. Peut causer des blessures graves. Ne pas opérer sans protections. La machine peut commencer automatiquement. Débrancher avant le service. Verrouiller/étiqueter la machine.</p>		 <p>HOT SURFACES. Can cause serious injury. Do not touch. Allow to cool before servicing.</p> <p>SUPERFICIE CALIENTE. Puede causar lesiones graves. No tocar. Deje que se enfríe antes de dar servicio.</p> <p>SURFACE CHAUDE. Peut causer des blessures graves. Ne pas toucher. Attendre le refroidissement avant de réparer.</p>
		A CAUTION / PRECAUCIÓN / PRUDENCE	
		 <p>RISK OF BURSTING. Use only suitable air handling parts acceptable for pressure of not less than the maximum allowable working pressure of the machine.</p> <p>RIESGO DE EXPLOSIÓN. Utilice solamente piezas de manipulación de aire adecuadas que sean aceptables para presiones no menores a la presión máxima de trabajo admisible de la máquina.</p> <p>RISQUE DE DÉLIASSAGE. Utilisez seulement des parties à manipulation d'air acceptable pour des pressions non inférieures à la pression minimale de travail consentie par la machine.</p>	

GENERALIDADES



1. Bomba del compresor sin accesorios
2. Conjunto de filtro de entrada de aire
3. Interruptor de presión
4. Válvula de desahogo/seguridad de descarga
5. Guardabanda
6. Llenado de lubricante
7. Drenaje de lubricante
8. Motor eléctrico
9. Medidor de presión
10. Tanque receptor de aire
11. Válvula de desahogo/seguridad del tanque receptor de aire
12. Válvula de drenaje manual
13. Orificios de montaje
14. Válvula de servicio (Salida de aire)

NOTA: Las ubicaciones y apariencia de los componentes pueden variar. Los diseños y especificaciones están sujetos a cambio sin previo aviso y no implican obligación.

El compresor de aire está adecuado para la operación de pistolas aspersoras de pintura, herramientas neumáticas, pistolas de calafatear, pistolas engrasadoras, chorreadoras de arena, etc. Se necesitan los siguientes accesorios, según la aplicación:

- Un regulador de presión de aire para ajustar la presión del aire entrante en la herramienta o el accesorio
- Un filtro de la línea de aire para eliminar la humedad y el vapor de aceite del aire comprimido, cuando se usa una pistola aspersor de pintura
- Un lubricador en línea para prolongar la vida de las herramientas neumáticas
- Transformadores de aire separados combinando las funciones de regulación de aire y/o la eliminación de la humedad y suciedad.

Comuníquese con su representante autorizado para informaciones adicionales de las herramientas neumáticas y los accesorios de aplicaciones individuales.

RECIBO E INSPECCIÓN

Asegúrese de que existan equipos de carga adecuados para descargar y trasladar su compresor al sitio de instalación.

NOTA: El equipo de carga debe estar calibrado adecuadamente para el peso del compresor.

Levante el compresor sólo por los patines de embarque.

⚠ ¡PRECAUCIÓN! No trabaje ni transite bajo el compresor mientras se encuentra suspendido.

Antes de firmar el recibo de entrega, asegúrese de que haya piezas que falten o que estén dañadas. Si hay evidencia de daños o de que faltan piezas, haga la anotación respectiva en el recibo de entrega y luego firmelo. Comuníquese inmediatamente con el transportista para que realice una inspección. Todo el material se debe mantener en el lugar de recepción para la inspección del transportista. Los recibos de entrega firmados que no tienen anotación de daños o piezas faltantes se consideran como prueba de una entrega "sin problemas". Cualquier reclamo posterior se considerará como demanda por daños ocultos. Liquide cualquier demanda por daños con la empresa de transporte.

Si descubre algún daño después de recibir el compresor (daño oculto), debe notificar al transportista dentro de un plazo de 15 días después del recibo y solicitar por teléfono una inspección una confirmación por escrito. En las demandas por daños ocultos, la responsabilidad de establecer que el compresor se dañó durante el transporte recae en la persona que hace el reclamo.

Lea la placa de identificación del compresor para verificar que corresponde al modelo solicitado y lea la placa del motor para verificar que es compatible con sus condiciones eléctricas. Asegúrese de que las cajas y componentes eléctricos sean los adecuados.

INSTALACIÓN

SELECCIÓN DE UNA UBICACIÓN

Generalidades. Seleccione un área interior bien iluminada con bastante espacio para permitir una adecuada accesibilidad y flujo de aire de enfriamiento. Ubique el compresor a una distancia de por lo menos 12 pulgadas (30 cm) de las paredes y asegúrese que la fuente principal de energía esté claramente identificada y sea de fácil acceso.

Temperatura. Las temperaturas de operación ideales fluctúan entre los 32°F y los 100°F (0°C y 37,8°C). Si las temperaturas bajan sistemáticamente a menos de 32°F (0°C), instale el compresor en el interior de un recinto con calefacción. Si esto no es posible, debe proteger las válvulas de desahogo/seguridad y de drenaje contra el congelamiento. Si las temperaturas bajan sistemáticamente a menos de 40°F (4,4°C), considere la instalación de calefactores en el cárter, especialmente si el compresor tiene dificultades para arrancar.

⚠ ¡PRECAUCIÓN! No haga funcionar el compresor a temperaturas inferiores a -15°F (-26,1°C) o superiores a los 125°F (51°C).

Áreas húmedas. En áreas frecuentemente húmedas, se puede acumular humedad en la bomba y producir sedimentos en el lubricante. Esto causará el desgaste prematuro de las piezas móviles. El exceso de humedad tiene muchas probabilidades de producirse si el compresor está ubicado en un área sin calefacción sujeta a grandes cambios de temperatura. Dos signos de exceso de humedad son la condensación externa en el compresor cuando éste se enfría y una apariencia "lechosa" del lubricante de petróleo. Evite que se acumule humedad en la bomba aumentando la ventilación, operando la máquina durante períodos más prolongados o instalando calefactores en el cárter.

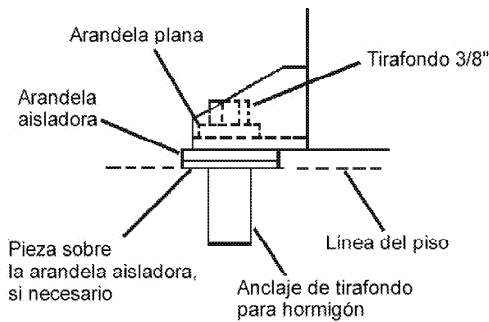
Consideraciones sobre el ruido. Consulte a las autoridades locales sobre los niveles aceptables de ruido en su área. Para reducir el exceso de ruido, use silenciadores en la admisión o almohadillas aislantes de la vibración, ubique el compresor en otro lugar o construya recintos totalmente cerrados o paredes acústicas. Comuníquese con su distribuidor para obtener asistencia.

INSTALACIÓN PERMANENTE

⚠ ¡ADVERTENCIA! Antes de instalar la unidad, remuévala de la plataforma.

La instalación del compresor debe ser permanente. Para montar la unidad, sujete los pies a una fundación sólida y plana (como un piso de hormigón). Evite de sujetar pies desnivelados firmemente a la fundación, esto puede provocar tensiones excesivas en el tanque receptor. Use piezas de ajuste metálicas para corregir los pies.

Instalación permanente típica (herramientas suministradas por el cliente)



INSTALACIÓN DE LA TUBERÍA DE ENTRADA DE AIRE

⚠ **¡PRECAUCIÓN!** No haga funcionar el compresor sin un filtro de entrada de aire.

Si el aire alrededor del compresor es relativamente limpio, instale el filtro de entrada de aire en la conexión de entrada de la bomba. Si se requiere tubería de entrada de aire remota o para filtración pesada, comuníquese con su distribuidor para más información.

INSTALACIÓN DE TUBERÍA DE DESCARGA

Para la instalación de la tubería de descarga de aire o de líquido condensa, observe las siguientes recomendaciones. Comuníquese con su distribuidor para más información.

⚠ **¡ADVERTENCIA!** No use tubería plástica, accesorios de cobre soldados, manguera de caucho o uniones soldadas con plomo-estaño en cualquier parte del sistema de aire comprimido.

⚠ **¡ADVERTENCIA!** Si un postrefrigerador, válvula de retención, válvula de bloqueo o cualquier otra restricción se agrega a la descarga del compresor, instale una válvula de seguridad/desahogo ASME aprobada, de tamaño debido, entre la descarga del compresor y la restricción.

⚠ **¡PRECAUCIÓN!** Si usa el lubricante sintético Ingersoll-Rand, todo el material de la tubería descendente y los componentes del sistema deben ser compatibles. Consulte la lista de compatibilidad de materiales que se indica a continuación. Si en su sistema hay materiales incompatibles o materiales no incluidos en la lista, comuníquese con su Distribuidor.

Adecuados

Viton®, Teflon®, epoxia (relleno con vidrio), alquid resistente al aceite, fluorosilicona, fluorocarbono, polisulfuro, uretano de dos componentes, nilón, Delrin®, Celcon®, goma con alto contenido de nitrilo (Buna N. NBR con más de un 36% de acrilonitrilo), poliuretano, polietileno, epiclorhidrina, poliacrilato, melamina, polipropileno, fenólicos secados, epoxias, alquidos modificados
(® indica una marca registrada de DuPont Corporation)

No recomendados

Neoprén, goma natural, goma SBR, pintura acrílica, laca, barniz, poliestireno, PVC, ABS, policarbonatos, acetato de celulosa, goma con bajo contenido de nitrilo (BUNA N. NBR con menos de un 36% de acrilonitrilo), EPDM, acetato de vinilo etileno, látex, EPR, acrílicos, fenoxi, polisulfones, acrilonitrilo estireno (San), butilo

Requisitos generales. Las tuberías, accesorios, estanque del recibidor, etc. deben tener seguridad certificada para al menos la presión de trabajo de la unidad. Use acero roscado o soldadura dura o conductos de cobre y accesorios de hierro fundido que tiene seguridad certificada para la presión y temperatura de descarga del compresor. NO USE PLÁSTICO DE PVC. Use sellante de hilo de tubos en todos los hilos y junte estrechamente las uniones para evitar fugas de aire.

Tubería de descarga de líquido condensado. Caso de que si instala un tubo de descarga de líquido condensado, el tubo debe tener un tamaño más grande que la conexión, y debe ser tan corta y directa como sea posible y debe estar adecuadamente encaminada al punto de colección. Se debe desechar el líquido condensado en conformidad con las leyes y normativas locales, federales y estatales.

NOTA: Todos los sistemas de aire comprimido producen líquido condensado que acumula en todos los puntos de drenaje (por ejemplo, tanques, filtros, tubos de goteo, posrefrigeradores, secadores, etc.). Este líquido condensado contiene aceite lubricante y/o otras materias que deben ser desechadas en conformidad con las leyes y normativas locales, federales y estatales.

CABLEADO ELÉCTRICO

⚠ **¡ADVERTENCIA!** La instalación y el servicio eléctrico deben ser realizados por un electricista calificado que esté familiarizado con todas las leyes y normativas locales, estatales y federales correspondientes.

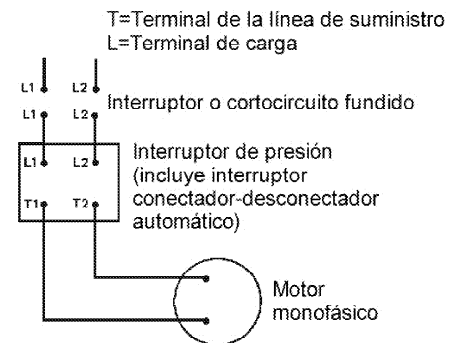
NOTA: Este producto se debe conectar a un sistema de cableado metálico permanente conectado a tierra o a un terminal o conductor de puesta a tierra del equipo en el producto.

Generalidades. La capacidad nominal del motor indicada en la placa del motor y la fuente de energía deben tener características compatibles de voltaje, fase y hertzios.

Diámetro del cable. El cableado eléctrico entre la fuente de energía y el motor eléctrico varía de acuerdo con los caballos de fuerza del motor. Los conductores de energía deben tener el diámetro adecuado para garantizar protección contra una caída extrema del voltaje durante el arranque. El motor debe incluir información para seleccionar el diámetro de cable adecuado y para fijar las conexiones. De lo contrario, consulte el Código Eléctrico Nacional o las leyes y normativas locales, estatales y federales. Si hay otros equipos eléctricos conectados al mismo circuito, hay que considerar la carga eléctrica total al seleccionar el diámetro de cable adecuado. NO USE CABLES DE DIÁMETRO INSUFICIENTE.

Fusibles. Consulte el Código Eléctrico Nacional para determinar la capacidad adecuada de los fusibles e interruptores automáticos que se requieren. Al seleccionar los fusibles, recuerde que la corriente de arranque momentánea de un motor eléctrico es mayor que su corriente a plena carga. Se recomiendan fusibles temporizados o de acción retardada.

Cableado monofásico



LUBRICACIÓN DEL COMPRESOR

⚠ **¡PRECAUCIÓN!** No haga funcionar el compresor sin lubricante o con un lubricante inadecuado. Ingersoll-Rand no se hace responsable en caso de fallas del compresor causadas por una lubricación inadecuada.

Lubricante sintético. Se recomienda usar el Lubricante sintético Ingersoll-Rand desde el inicio de las operaciones. Consulte la sección de GARANTÍA para obtener información respecto a la garantía ampliada.

Otros lubricantes. Puede usar un lubricante basado en petróleo que sea de primera calidad, que no contenga detergentes, que contenga sólo agentes anticorrosivos, antioxidantes y antiespumantes como aditivos, con una temperatura de desprendimiento de gases explosivos de 440°F (227°C) o superior y un punto de autoencendido de 650°F (343°C) o superior. Recuerde que el uso de un lubricante distinto al Lubricante sintético Ingersoll-Rand desde el comienzo de la operación restringe la garantía a un año.

Consulte la tabla de viscosidad del lubricante de petróleo a continuación. La tabla pretende servir sólo como guía general. Las condiciones de operación de trabajos pesados requieren una mayor viscosidad. Para obtener más recomendaciones, consulte a su Distribuidor sobre sus condiciones de operación específicas.

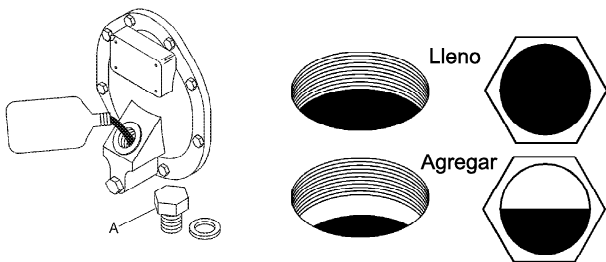
Temperatura alrededor del compresor		Viscosidad a 100°F (37,8°C)		Grado de viscosidad	
°F	°C	SUS	Centistokes	ISO	SAE
40 y inferior	4,4 y inferior	150	32	32	10
40 - 80	4,4 - 26,7	500	110	100	30
80 - 125	26,7 - 51,0	750	165	150	40

Si usa un lubricante basado en petróleo para el compresor al comenzar la operación y luego decide cambiarse al Lubricante sintético Ingersoll-Rand, se debe completamente descarboxilar las válvulas del compresor y lavar abundantemente el cárter antes de la conversión.

Procedimientos de llenado.

1. Destornille y saque el tapón de llenado de aceite (A).
2. Llene el cárter de aceite lentamente con lubricante hasta el lubricante llega a la rosca superior de la apertura de llenado de aceite y la parte superior de la ventanilla de nivel. La capacidad del cárter es 28 onzas (827 ml.)
3. Reemplace el tapón del llenado de aceite y APRIETE SÓLO CON LA MANO.

Procedimientos de llenado



ARRANQUE INICIAL

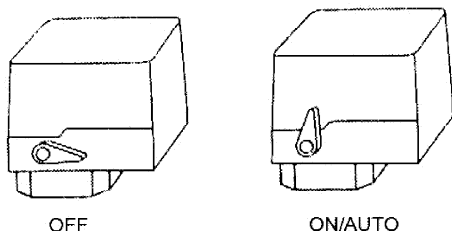
Observe este procedimiento para poner la unidad en servicio por la primera vez:

1. Ponga la palanca del interruptor de presión en la posición "OFF".
2. Abra la válvula de servicio completamente para prevenir una acumulación de presión de aire en el tanque.
3. Ponga la palanca del interruptor de presión en la posición "ON/AUTO". La unidad es activada.
4. Permite que la unidad funcione durante 30 minutos. Asegúrese de que la válvula de servicio está completamente abierta y no existe acumulación de presión en el tanque.

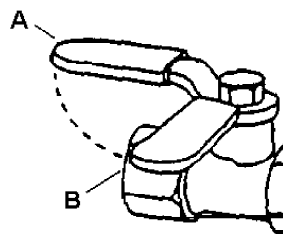
⚠ ¡PRECAUCIÓN! Los ruidos o vibraciones poco comunes indican que hay un problema. No continúe con la operación hasta después de identificar y solucionar la causa del problema.

5. Después de 30 minutos, cierre la válvula de servicio completamente. El receptor de aire se llenará a la presión de corte y el motor se detendrá. La unidad está lista para operación.

Palanca del interruptor de presión



Válvula de servicio



OPERACIÓN

GENERALIDADES

El compresor fue diseñado para funcionar a un régimen continuo de 100% con el uso del lubricante sintético Ingersoll-Rand y un régimen continuo de 60% con el uso de otros lubricantes de petróleo. O sea, el uso de un lubricante sintético permite al compresor de bombear continuamente sin ciclación. Un lubricante de petróleo limita al compresor de funcionar un máximo de 36 minutos de tiempo de bombeo por hora. El compresor no debe ciclar más de 10 veces por hora.

ARRANQUE NORMAL

1. Ponga interruptor de presión en la posición "OFF".
 2. Cierre la válvula de servicio.
 3. Conecte el tubo y los accesorios.
 4. Ponga la palanca del interruptor de presión en la posición "ON/AUTO". La unidad es activada.
 5. Permite a la presión del tanque receptor de aumentar. El motor se detendrá cuando la presión del tanque llena la presión de corte.
 6. Abra la válvula de servicio. La unidad está lista para operación.
- NOTA: Cuando la presión del tanque receptor baja a menos del mínimo preestablecido en la fábrica, el interruptor de presión se restablece y vuelve a activar el compresor.**

Después de este procedimiento:

1. Ponga la palanca del interruptor de presión en la posición "OFF".
2. Completamente cierre la válvula de servicio.
3. Remueve las herramientas neumáticas o los accesorios.
4. Lentamente abra la válvula de servicio para purgar la presión de aire a 20 psig.
5. Lentamente abra la válvula de descarga manual en la base del tanque para drenar todo el líquido condensado (agua).
6. Cierre la válvula de drenaje y la válvula de servicio para el próximo uso.

MANTENIMIENTO

⚠ ¡ADVERTENCIA! Antes de realizar actividades de mantenimiento, desconecte, bloquee y ponga las etiquetas correspondientes en la fuente principal de energía y libere la presión de aire del sistema.

NOTA: Todos los sistemas de aire comprimido contienen componentes sujetos a mantenimiento (por ejemplo, aceite lubricante, filtros, separadores) que deben reemplazarse periódicamente. Estos componentes gastados pueden o no contener sustancias reguladas y se deben desechar en conformidad con las leyes y normativas locales, federales y estatales.

NOTA: Tome nota de las posiciones y ubicaciones de piezas durante el desmontaje para facilitar el reensamblaje. Las secuencias del montaje y las piezas ilustradas pueden diferir por su unidad particular.

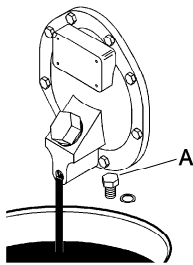
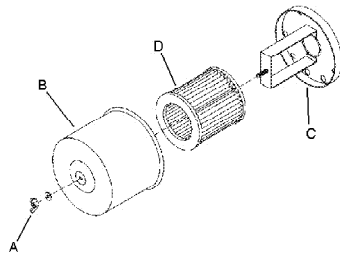
NOTA: Cualquier operación de servicio que no se incluya en esta sección debe ser ejecutada por un representante autorizado.

Diariamente o antes de cada operación	<ul style="list-style-type: none"> ● Revise el nivel del lubricante. Rellene según sea necesario. ● Drene el líquido condensado del tanque receptor. Abra la válvula de drenaje manual, recoja y disponga del líquido condensado según corresponda. ● Verifique si hay ruidos o vibraciones inusuales. ● Asegúrese de que los guardabandas y las cubiertas estén bien sujetos en su lugar. ● Asegúrese de que el área alrededor del compresor esté libre de trapos, herramientas, escombros y materiales inflamables o explosivos.
Semanalmente	<ul style="list-style-type: none"> ● Revise el elemento del filtro de aire. Limpie o reemplace.
Mensualmente	<ul style="list-style-type: none"> ● Verifique si hay fugas de aire. Ponga agua jabonosa alrededor de las juntas mientras el compresor está funcionando y observe si se producen burbujas. ● Revise el apriete de los tornillos y pernos. Vuelva a apretar si es necesario. ● Limpie el exterior.
3/500 *	<ul style="list-style-type: none"> ● Cambie el lubricante de petróleo mientras el cárter esté tibio.
12/2000 *	<ul style="list-style-type: none"> ● Cambie el lubricante sintético mientras el cárter esté tibio. ● Reemplace el elemento de filtro.

* indica meses/horas de operación, lo que ocurra primero.

INSPECCIÓN Y LIMPIEZA DEL FILTRO

1. Destornille y saque la tuerca de mariposa (A) fijando la cubierta del filtro (B) a la base (C).
2. Saque la cubierta del filtro y remueva el elemento de filtro existente (D). Limpie el elemento con un aire comprimido o un vacío.
3. Vuelva a poner el elemento de filtro y la cubierta, fijándolos con la tuerca de mariposa sacada.



CAMBIO DE ACEITE

1. Saque el tapón de drenaje de aceite (A) y deje que el lubricante se drene en un contenedor adecuado.
2. Vuelva a poner el tapón de drenaje de aceite.
3. Siga los procedimientos de llenado en la sección de OPERACIÓN.

LOCALIZACIÓN DE FALLAS

En esta sección se incluye una lista de las fallas más frecuentes del compresor, sus causas y las acciones correctivas. Algunas de estas acciones pueden ser llevadas a cabo por el operador o personal de mantenimiento; otras pueden requerir la asistencia de un electricista calificado o de su distribuidor.

PROBLEMA	PUNTO DE COMPROBACIÓN
Desgaste anormal del pistón, anillo o cilindro	4, 8, 9, 18, 23, 29
La entrega de aire disminuye	1, 6, 15, 17, 18, 24
Tubos del interenfriador o posenfriador rotos	30
El compresor no llega a la velocidad deseada	2, 6, 12, 15, 20

PROBLEMA

PROBLEMA	PUNTO DE COMPROBACIÓN
El compresor tarda en llegar a la velocidad deseada	27, 28
El compresor funciona con calor excesivo	3, 14, 15
Ruido excesivo durante la operación	2, 6, 15, 20, 22, 27
Demasiadas partidas y paradas	5, 11, 16, 27, 31
Golpeo y ruidos	2, 15, 16, 18, 19, 20
La luz destella o está débil durante la operación	12, 13
Humedad en el cárter o apariencia "lechosa" en el lubricante de petróleo o herrumbre en los cilindros	9, 10
Disparos de sobrecarga del motor o consumo excesivo de corriente	5, 6, 12, 13, 14, 15, 18, 19, 20, 28
Aceite en descarga de aire (bombeo de aceite)	4, 7, 9, 17, 18, 21, 29
Escape de aceite del retén del eje	21
La válvula de seguridad/desahogo "salta"	1, 5, 24, 25
Presión interetápica alta	25
Presión interetápica baja	26
El motor no arranca	12

PUNTO DE COMPROBACIÓN	CAUSA POSIBLE	SOLUCIÓN POSIBLE
-----------------------	---------------	------------------

1	Entrada y/o filtro del tubo de descarga sucio o atascado	Limpie o reemplace
2	Rueda de la banda o polea del motor de partida sueltas, juego excesivo en el eje del motor o bandas de la transmisión sueltas	Revise la tensión y alineación de la rueda de la banda, polea del motor de partida, cigüeñal, y banda de transmisión. Repare o reemplace según sea necesario
3	Ventilación inadecuada en la rueda de la banda	Ubique el compresor en una posición con mejor ventilación
4	Lubricante poco viscoso	Drene el lubricante y vuelva a llenar con uno adecuado
5	Filtraciones de aire en la tubería de descarga de aire	Revise la tubería y las conexiones. Ariete las conexiones o reemplace según necesario
6	Lubricante demasiado viscoso	Drene el lubricante y vuelva a llenar con uno adecuado
7	Nivel del lubricante demasiado alto	Drene el lubricante en exceso
8	Muy poco lubricante	Agregue lubricante al cárter hasta el nivel adecuado
9	Se está usando lubricante tipo detergente	Drene el lubricante y vuelva a llenar con uno adecuado
10	Ciclos de operación muy cortos	Opere el compresor con ciclos de operación más largos
	Compresor ubicado en área húmeda o mojada	Ubique el compresor en otra parte o instale un calefactor para el cárter
11	Diferencial del interruptor automático de presión demasiado reducido	Instale el interruptor automático de presión con la función de ajuste del diferencial si lo desea
12	Voltaje de línea inadecuado	Revise el voltaje de la línea y actualice las líneas según sea necesario. Comuníquese con un electricista

PUNTO DE COMPROBACIÓN	CAUSA POSIBLE	SOLUCIÓN POSIBLE	PUNTO DE COMPROBACIÓN	CAUSA POSIBLE	SOLUCIÓN POSIBLE
	Panel de servicio eléctrico o cableado demasiado pequeño	Instale un cable o caja de servicio de tamaño adecuado. Comuníquese con un electricista	29	Capa superficial del cilindro desgastada	Limpie el cilindro con flex-hone de 180 gránulos
	Contacto deficiente en terminales del motor de partida o conexiones del mecanismo de arranque	Asegúrese que haya un buen contacto en los terminales del motor o las conexiones del mecanismo de arranque	30	Rueda de correa en desequilibrio, tubos no soportados o fijados, velocidad falsa de polea	Verifique el nivel de vibración, reemplace la polea o rueda si necesario, apriete las grapas de tubos
	Calefactores de sobrecarga inadecuados del mecanismo de arranque	Instale calefactores de sobrecarga adecuados del mecanismo de arranque. Comuníquese con un electricista	31	Condensación excesiva en tanque receptor	Drene el tanque receptor con la válvula de drenaje manual o instale una válvula de drenaje automática
13	Regulación de potencia deficiente (línea no equilibrada)	Comuníquese con la Compañía Eléctrica			
14	Bandas de transmisión muy apretadas o mal alineadas	Ajuste las bandas a la tensión y alineación adecuadas			
15	Válvulas del compresor rotas, carbonizadas, sueltas o con filtraciones	Inspeccione las válvulas. Limpie o reemplace según sea necesario. Instale el Juego de válvulas.			
16	Acumulación de carbono sobre el o los pistones	Limpie el o los pistones. Repare o reemplace según la necesidad			
17	Anillos del pistón dañados o gastados (rotos, rugosos o rayados). Espacio final o separación lateral excesiva	Instale el Juego de anillos/juntas			
	Los anillos del pistón no están asentados, están pegados a las ranuras o los espacios finales no están escalonados	Ajuste los anillos pistón			
18	Cilindros o pistones rayados, gastados o cortados	Repare o reemplace según la necesidad			
19	Cojinetes de la varilla de unión, pasador del pistón o del muñón gastados o cortados	Inspeccione todo. Repare o reemplace según la necesidad. Instale Juego de cojinetes/varilla de unión.			
20	Cojinetes de bolas defectuosos en el cigüeñal o eje del motor	Inspeccione los cojinetes y reemplace si es necesario. Instale Juego de cojinetes/varilla de unión.			
21	Retén del cigüeñal gastado o cigüeñal cortado	Reemplace el retén. Instale una manga de eje si necesario. Instale Juego de cojinetes/varilla de unión.			
22	Válvula de retención con filtraciones o asiento de la válvula fundido	Reemplace la válvula de retención			
23	Atmósfera extremadamente polvorienta	Instale tubería y acceso de aire remoto a una fuente de aire más limpio. Instale un filtro más eficaz			
24	Válvula de seguridad/desahogo defectuosa	Reemplace la válvula de seguridad			
25	Válvula de entrada de alta presión con filtraciones	Inspeccione, limpie o repare según necesario			
26	Válvula de entrada de baja presión con filtraciones	Inspeccione, limpie o repare según necesario			
27	Modo de arranque y parada automático no está adecuado para la demande de aire	Operación a velocidad constante requerida. Comuníquese con el vendedor para recomendaciones			
28	Temperatura ambiente demasiado baja	Instale juego calefactor del cárter. Convierta a lubricante sintético. Ubique el compresor en un ambiente más cálido.			

GARANTÍA Y LIMITACIÓN DE RESPONSABILIDADES

GARANTÍA

Ingersoll-Rand Company garantiza que los equipos que fabrica y distribuye conforme a este documento estarán libres de defectos tanto en sus materiales como en su fabricación, durante un período de doce (12) meses desde la fecha en que los Equipos se ponen en operación o de dieciocho (18) meses desde el momento del embarque, lo que suceda primero. Ese período de garantía aplicará a todos los equipos, salvo los siguientes: (A) Los compresores que operen exclusivamente con el Lubricante Sintético Ingersoll-Rand, tendrán una garantía sobre el compresor sin accesorios de veinticuatro (24) meses desde la fecha de inicio de las operaciones o de treinta (30) meses desde la fecha de embarque, lo que ocurra primero. (B) Los repuestos tendrán una garantía de seis (6) meses desde la fecha de embarque. Si dentro de dicho período se informa algún tipo de incumplimiento de las condiciones de esta garantía por escrito a la Compañía, ésta a su discreción, corregirá dicho incumplimiento reparando el equipo en forma apropiada, o proporcionará un reemplazo F.O.B. en el punto de embarque, siempre y cuando el comprador haya instalado, mantenido y operado dicho equipo en conformidad con prácticas industriales correctas y haya cumplido con las recomendaciones específicas de la Compañía. Los accesorios o equipos provistos por la Compañía pero fabricados por otros mantendrán cualquier garantía traspasada a Ingersoll-Rand Company por su fabricante y podrán ser transferidas al Comprador. La Compañía no se hará responsable de reparaciones, reemplazos o ajustes a los Equipos o de ningún tipo de costo por mano de obra en que incurra el Comprador que no cuenten con la previa autorización por escrito de la Compañía.

La Compañía no hace ningún tipo de garantía de cumplimiento, a menos que se declare específicamente dentro de sus propuestas y esta garantía excluye específicamente los efectos de la corrosión, erosión y el desgaste normal. En aquellos casos donde expresamente se incluyan garantías de cumplimiento, la obligación de la Compañía será corregirlo en la manera y durante el plazo estipulado más arriba.

LA COMPAÑÍA NO HACE NINGÚN OTRO TIPO DE REPRESENTACIÓN, EXPRESA O IMPLÍCITA, SALVO AQUELLA DE PROPIEDAD Y POR ESTE MEDIO SE DECLINAN TODAS LAS GARANTÍAS IMPLÍCITAS DE COMERCIABILIDAD Y APTITUD PARA UN FIN EN PARTICULAR.

La corrección de los incumplimientos de la Compañía, sean patentes o latentes, en la forma y durante el plazo estipulado más arriba, deberán constituir el cumplimiento de todas las responsabilidades de la Compañía y sus Distribuidores, para aquellos incumplimientos respecto a o que surjan de dichos Equipos.

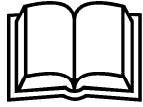
LIMITACIÓN DE RESPONSABILIDADES

LOS RECURSOS DEL COMPRADOR ESTIPULADOS EN ESTE DOCUMENTO SON EXCLUSIVOS Y LA RESPONSABILIDAD TOTAL DE LA COMPAÑÍA, SUS DISTRIBUIDORES Y SUMINISTRADORES, CON RESPECTO AL CONTRATO O EQUIPOS Y SERVICIOS PROVISTOS, EN RELACIÓN CON LA EJECUCIÓN O SU FALTA DE CUMPLIMIENTO O QUE SURJAN DE LA FABRICACIÓN, VENTA, ENTREGA, INSTALACIÓN, REPARACIÓN O DIRECCIÓN TÉCNICA CUBIERTA O PROVISTA BAJO UN CONTRATO, YA SEA QUE SE BASEN EN UN CONTRATO, GARANTÍA, NEGLIGENCIA, INDEMNIDAD, RESPONSABILIDAD LIMITADA U OTRO, NO PODRÁN EXCEDER EL PRECIO DE COMPRA DE LA UNIDAD SOBRE LA CUAL SE BASA DICHA RESPONSABILIDAD.

LA COMPAÑÍA, SUS DISTRIBUIDORES Y SUS SUMINISTRADORES NO SERÁN BAJO NINGUNA CIRCUNSTANCIA RESPONSABLES ANTE EL COMPRADOR, ALGÚN SUCESOR O BENEFICIARIO O CESIONARIO DEL CONTRATO, POR EVENTUALES DAÑOS INDIRECTOS, ACCIDENTALES, EMERGENTES, ESPECIALES O PUNITIVOS QUE SURJAN DE ESTE CONTRATO O DE CUALQUIER INCUMPLIMIENTO DE ÉL, O DE CUALQUIER DEFECTO, FALLA O MAL FUNCIONAMIENTO DEL EQUIPO, SE OCASIONEN DICHOS DAÑOS O NO EN LA FALTA DE USO, LA PÉRDIDA DE INGRESOS O UTILIDADES, INTERESES, PÉRDIDA DE PLUSVALÍA, CESE DE TAREAS, DAÑO SOBRE OTROS BIENES, PÉRDIDAS PRODUCTO DEL CIERRE O LA FALTA DE FUNCIONAMIENTO, AUMENTO EN LOS COSTOS DE OPERACIÓN, COSTO DE LA COMPRA DE ENERGÍA DE REEMPLAZO O RECLAMOS DE LOS COMPRADORES O CLIENTES DEL COMPRADOR POR LA INTERRUPCIÓN DEL SERVICIO, SE ORIGINE DICHA PÉRDIDA O DAÑO O NO EN EL CONTRATO, GARANTÍA, NEGLIGENCIA, INDEMNIZACIÓN, RESPONSABILIDAD ABSOLUTA U OTRO.



A series of horizontal lines for writing, starting from the top line and extending down the page.



Informations importantes :
Veuillez lire et suivre la présente notice et la conserver à titre de référence.

Manuel de l'utilisateur

Directives d'installation, d'emploi et d'entretien du modèle 2340

CONTENU

Sécurité	1
Généralités	2
Réception et inspection	2
Installation	2
Mode d'emploi	4
Entretien	4
Dépannage	5
Garantie	7

SÉCURITÉ

DÉFINITIONS

⚠ DANGER: Occasionnera la mort, des blessures graves ou des dégâts matériels considérables.

⚠ MISE EN GARDE: POURRA occasionner la mort, des blessures graves ou des dégâts matériels considérables.

⚠ ATTENTION: Occasionnera ou POURRA occasionner des BLESSURES mineures ou des dégâts matériels.

PRÉCAUTION CONCERNANT L'AIR RESPIRABLE





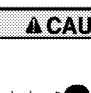

Les compresseurs à air d'Ingersoll-Rand ne sont pas conçus ni approuvés pour produire de l'air pur. Ne pas utiliser l'air comprimé par le présent appareil pour la respiration, sauf s'il a été traité conformément aux règlements et aux codes en vigueur.

PRÉCAUTIONS GÉNÉRALES

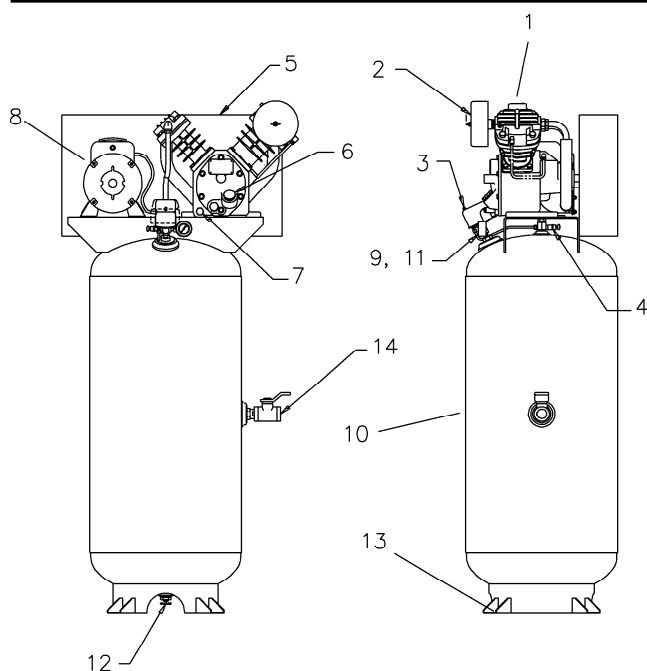
- Ne pas inhaler directement l'air comprimé.

- Avant de vaporiser un produit tel qu'une peinture, un insecticide ou un herbicide, suivre les précautions figurant sur l'étiquette du contenant de ce produit.
- Porter un respirateur et des lunettes de protection pour vaporiser.
- Ne pas soumettre le réservoir ou tout autre récipient similaire à une pression supérieure aux limites prévues.
- Ne pas utiliser un réservoir ou autre récipient similaire qui ne convient pas aux exigences du compresseur. Pour obtenir de l'aide, communiquer avec son distributeur.
- Ne pas percer, souder ou modifier de quelque manière que ce soit le réservoir ou autre récipient similaire.
- Ne pas enlever, régler, dériver, changer, modifier ou remplacer les soupapes de sûreté et de décharge, les manostats et autres dispositifs servant au contrôle de la pression.
- Ne pas utiliser un outil pneumatique ou un accessoire sans avoir d'abord déterminé la pression maximum conseillée pour cet équipement.
- Ne pas diriger les ajutages ou les pistolets vaporisateurs sur une personne.
- Ne pas toucher la pompe du compresseur, le moteur ou les canalisations de refoulement lorsque l'appareil est en marche ou peu après qu'il se sera arrêté, car ces pièces deviennent chaudes.
- Porter des lunettes de protection pour réviser ou faire fonctionner le compresseur.
- Ne pas faire fonctionner le compresseur en présence de liquides ou de gaz inflammables ou explosifs, comme l'essence, le gaz naturel et les solvants.
- Ne pas faire fonctionner le compresseur lorsque ses carters ou ses protecteurs sont enlevés, endommagés ou cassés.
- Ne pas enlever, repeindre ou rendre illisibles les autocollants. Remplacer tout autocollant manquant.

Étiquette de sécurité (sur le réservoir)

A DANGER / PELIGRO / DANGER		A WARNING / ADVERTENCIA / AVERTISSEMENT	
 <p>INTAKE AIR. Can contain carbon monoxide or other contaminants. Will cause serious injury or death. Ingersoll-Rand air compressors are not designed, intended or approved for breathing air. Compressed air should not be used for breathing air applications unless treated in accordance with all applicable codes and regulations.</p> <p>AIRE DE ADMISSION. Puede contener monóxido de carbono u otros contaminantes. Puede causar lesiones graves o la muerte. Los compresores de aire Ingersoll-Rand no están diseñados, destinados para aire respirable. No se debe usar el aire comprimido para aplicaciones de aire respirable a menos que se trate de acuerdo con todas las normas y reglamentos correspondientes.</p> <p>AIR D'ADMISSION. Peut contenir du monoxyde de carbone ou d'autres contaminants. Cause des blessures graves ou la mort. Les compresseurs Ingersoll-Rand n'ont été conçus, ni destinés, ni approuvés pour la compression d'air respirable. L'air comprimé ne doit être utilisé pour la respiration au moins qu'il ait été traité d'après les normes et règlements en vigueur pour cette application.</p>	 <p>HAZARDOUS VOLTAGE. Can cause serious injury or death. Disconnect power before servicing. Lockout/Tagout machine.</p> <p>VOLTAJE PELIGROSO. Puede causar lesiones graves o la muerte. Desconecte la energía antes de inspeccionar y dar mantenimiento a la máquina. Bloquear/etiquetar la máquina.</p> <p>TENSION DANGEREUSE. Elle Peut causer des blessures graves ou la mort. Débrancher l'alimentation avant de réparer. Verrouiller/étiqueter la machine.</p>	 <p>HIGH PRESSURE AIR. Bypassing, modifying or removing safety/relief valves can cause serious injury or death. Do not bypass, modify or remove safety/relief valves. Do not direct air stream at body.</p> <p>AIRE DE ALTA PRESIÓN. La derivación, modificación o retiro de las válvulas de seguridad/alivio puede causar lesiones graves o la muerte. No derive, modifique o retire las válvulas de seguridad/alivio.</p> <p>AIR SOUS PRESSION ÉLEVÉE. Le contournement, la modification ou le retrait de soupapes de sécurité/détente peut causer des blessures graves ou la mort. Ne pas contourner, modifier ou retirer les soupapes de sécurité/détente.</p>	
	 <p>MOVING PARTS. Can cause serious injury. Do not operate with guards removed. Machine may start automatically. Disconnect power before servicing. Lockout/Tagout machine.</p> <p>PARTES MÓVILES. Puede causar lesiones graves. No opere la máquina si se ha retirado el protector. La máquina puede empezar a funcionar automáticamente. Desconecte la energía ante de darle servicio a la máquina. Bloquear/etiquetar la máquina.</p> <p>PIECES TOURNANTES. Peut causer des blessures graves. Ne pas opérer sans protection. La machine peut commencer automatiquement. Débrancher avant le service. Verrouiller/étiqueter la machine.</p>		 <p>A CAUTION / PRECAUCIÓN / PRUDENCE</p> <p>RISK OF BURSTING. Use only suitable air handling parts acceptable for pressure of not less than the maximum allowable working pressure of the machine.</p> <p>RIESGO DE EXPLOSIÓN. Utilice solamente piezas de manipulación de aire adecuadas que sean aceptables para presiones no menores a la presión máxima de trabajo admisible de la máquina.</p> <p>RISQUE DE DÉLIASSAGE. Utilisez seulement des parties à manipulation d'air acceptable pour des pressions non inférieures à la pression minimale de travail consentie par la machine.</p>
	 <p>HOT SURFACES. Can cause serious injury. Do not touch. Allow to cool before servicing.</p> <p>SUPERFICIE CALIENTE. Puede causar lesiones graves. No tocar. Deje que se enfríe antes de dar servicio.</p> <p>SURFACE CHAUDE. Peut causer des blessures graves. Ne pas toucher. Attendez la refroidissement avant de réparer.</p>		

INFORMATIONS GÉNÉRALES



1. Pompe de compresseur de base
2. Assemblage de filtre d'aspiration
3. Manostat
4. Soupape de sûreté et de décharge
5. Carter de courroie
6. Remplissage de lubrifiant
7. Vidange de lubrifiant
8. Moteur électrique
9. Manomètre
10. Réservoir d'accumulation d'air
11. Soupape de sûreté et de décharge de réservoir d'accumulation d'air
12. Purgeur manuel
13. Trous de montage
14. Soupape de service (sortie d'air)

REMARQUE: Les emplacements et l'aspect des composants peuvent varier. Les dessins et les spécifications peuvent être modifiés sans préavis ou obligation.

Votre compresseur d'air est approprié pour l'emploi de pistolets à peinture, outils à air, pistolets matoirs, pistolets graisseurs, sableuses, etc. Selon votre application, les accessoires suivants sont requis:

- Régulateur de pression d'air pour ajuster la pression d'air entrante dans l'outil ou l'accessoire.
- Un filtre de la ligne d'air pour l'élimination de l'humidité et la vapeur d'huile dans l'air comprimé pendant l'emploi d'un pistolet à peinture.
- Un graisseur en ligne pour prolonger la vie des outils pneumatiques.
- Des transformateurs à air séparés combinant les fonctions de régulation d'air et/ou d'élimination de l'humidité et saleté.

Veuillez communiquer avec votre distributeur pour plus d'informations sur les outils pneumatiques et accessoires pour votre application.

RÉCEPTION ET INSPECTION

S'assurer qu'un équipement de levage approprié sera disponible pour décharger le compresseur et le déplacer là où il sera installé.

REMARQUE: L'équipement de levage doit avoir la capacité requise pour soulever le poids du compresseur.

Lever le compresseur seulement à l'aide de la palette d'expédition. Utiliser des liens pour éviter le basculement.

⚠ ATTENTION: Ne pas travailler ou marcher sous le compresseur pendant qu'il est suspendu.

Avant de signer le bon de livraison, inspecter l'équipement afin de s'assurer qu'il ne comporte pas de dommages ou de pièces manquantes. Si des dommages sont apparents ou des pièces sont manquantes, le noter sur le bon de livraison, puis le signer. Communiquer immédiatement avec le transporteur pour lui demander d'effectuer une inspection. Tout le matériel doit rester au lieu de livraison pour être inspecté par le transporteur. Les bons de livraison qui ont été signés sans notation de dommage ou pièces manquantes sont considérés comme faisant état d'une livraison parfaite. Toute demande d'indemnité ultérieure sera alors considérée comme une demande d'indemnité pour dommages dissimulés. Régler toute demande d'indemnité directement avec le transporteur.

Si des dommages sont découverts après réception du compresseur (dommages dissimulés), en aviser le transporteur dans les 15 jours suivant la date de livraison et effectuer une demande d'inspection par téléphone avec confirmation par écrit. Lors d'une demande d'indemnité pour dommages dissimulés, c'est le demandeur qui doit établir que le compresseur a été endommagé en transit.

Lire la plaquette signalétique du compresseur afin de vérifier qu'il correspond bien au modèle commandé. Lire la plaquette signalétique du moteur pour vérifier qu'il est bien compatible avec les équipements électriques. S'assurer que les boîtiers et les composants électriques sont appropriés.

INSTALLATION

CHOIX D'UN EMPLACEMENT

Généralités. Choisir un endroit intérieur, bien éclairé, sec et propre avec beaucoup d'espace de manière à assurer un accès facile et une circulation d'air suffisante pour le refroidissement. Situer le compresseur au moins à 30 cm (12 po) des murs et s'assurer que l'alimentation électrique principale est bien identifiée et facile d'accès.

Température. La température de marche idéale se situe entre 0 °C et 37,8 °C (32 °F et 100 °F). Si la température baisse souvent sous 0 °C (32 °F), installer le compresseur dans un bâtiment chauffé. Si ce n'est pas possible, il est essentiel de protéger contre le gel les soupapes de sûreté et de décharge ainsi que les purgeurs.

⚠ ATTENTION: Ne pas faire fonctionner l'appareil à une température inférieure à -6,6 °C (20 °F) ou supérieure à 51,0 °C (125 °F).

Lieux humides. Dans un lieu qui est souvent humide, il est possible que de l'humidité se forme dans la pompe, entraînant la formation de boues dans le lubrifiant et l'usure prématurée des pièces mobiles. Une quantité excessive d'humidité aura tendance à se former si le compresseur est situé dans un lieu non chauffé qui est exposé à de grandes variations de température. Voici deux signes d'humidité excessive : la formation de condensation sur la paroi extérieure du compresseur qui refroidit et un lubrifiant à base de pétrole dont l'aspect est laiteux. On pourra empêcher la formation d'humidité dans la pompe en augmentant la ventilation, en faisant fonctionner l'appareil plus longtemps lors de chaque cycle ou en installant une trousse de chauffage du carter principal.

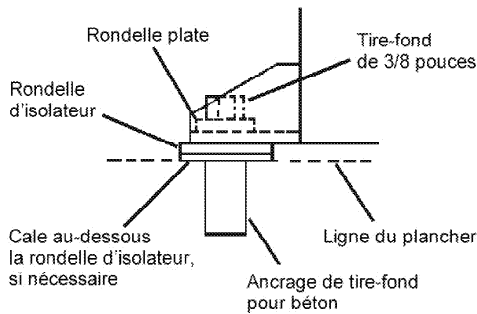
Considérations en matière de bruit. Pour connaître la réglementation en vigueur concernant les niveaux de bruit, consulter les autorités locales. Pour réduire le bruit excessif, utiliser des amortisseurs de vibrations ou un silencieux d'aspiration, déplacer le compresseur ou construire des enceintes totales ou des murs déflecteurs. Pour obtenir de l'aide, communiquer avec son distributeur.

MONTAGE PERMANENT

⚠ MISE EN GARDE : Retirer le compresseur de la palette avant de le monter.

L'unité doit être monter en permanence. Pour monter l'unité, boulonner le compresseur à une fondation solide et de niveau (comme un plancher en béton). Ne pas boulonner des pieds inégaux solidement sur la fondation, parce que cela provoque une contrainte excessive sur le réservoir. Employer au besoin des cales sous les pieds trop «courts».

Montage permanent typique (matériel fourni par le client)



INSTALLATION DU FILTRE D'ASPIRATION

⚠ ATTENTION : Ne pas utiliser l'appareil sans filtre d'aspiration.

Si l'air autour de l'unité comporte relativement peu de poussières, installer le filtre d'aspiration dans la prise d'air de la pompe. Communiquer avec votre distributeur pour des informations sur l'installation de canalisation de refolement ou des filtres de grande puissance.

INSTALLATION DE LA CANALISATION DE REFOLEMENT

Pour l'installation de canalisations de refolement d'air et de condensat, observer les suivantes lignes guides générales. Communiquer avec votre distributeur pour des informations additionnelles.

⚠ MISE EN GARDE : N'utiliser nulle part dans le circuit d'air comprimé des tuyaux de plastique, des raccords soudés en cuivre, des tubes de caoutchouc ou des joints soudés à l'étain au plomb.

⚠ MISE EN GARDE : Si un refroidisseur de sortie, un clapet antiretour, un robinet de sectionnement ou toute autre restriction est ajoutée au circuit de refolement du condensat, installer entre cette restriction et le compresseur une soupape de sûreté et de décharge homologuée ASME ayant le format qui convient.

⚠ ATTENTION : Si le lubrifiant utilisé était du Lubrifiant synthétique Ingersoll-Rand, la tuyauterie et les composants en aval du circuit doivent être composés d'un matériau compatible. Se reporter à la liste de matériaux compatibles ci-dessous. Si le circuit comporte des matériaux qui ne sont pas compatibles ou qui ne figurent pas dans la liste, communiquer avec le distributeur.

Acceptables:

Viton®, Teflon®, époxydes (chargés à la fibre de verre), alkydes résistants aux huiles, fluorosilicones, hydrocarbures fluorés, polysulfides, uréthanes à 2 composants, nylon, Delrin®, Celcon®, caoutchoucs à forte teneur en nitrile (contenant plus de 36 % d'acrylonitrile), polyuréthane, polyéthylène, épichlorhydrine, polyacrylate, mélamine, polypropylène, résines phénoliques cuites, époxydes, alkydes modifiés.

(® Marque déposée de DuPont Corporation)

Non recommandés:

Néoprène, caoutchouc naturel, caoutchouc SBR, peintures acryliques, laques, vernis, polystyrène, CPV (PVC), ABS, polycarbonates, acétate de cellulose, caoutchoucs à faible teneur en nitrile (Buna N, NBR contenant moins de 36 % d'acrylonitrile), EPDM, acétate de vinyle et d'éthylène, latex, caoutchoucs éthylène-propylène (EPR), acryliques, résines phénoxy, polysulfones (PSF), styrène-acrylonitrile (San), butyle.

Généralités. La tuyauterie, les raccords, le réservoir, etc. doivent être homologués pour fonctionner à une pression minimum. Utiliser des tubes d'acier ou de cuivre à filetage ou à soudage fort et des raccords en fonte dont l'homologation convient à la pression et à la température de refolement du compresseur. Ne pas utiliser de tubes ou de raccords en plastique CPV (PVC). Utiliser un calfeutrage de filets sur toute la tuyauterie et bien serrer les joints afin de prévenir toute fuite d'air.

Canalisations de refolement du condensat. Si une canalisation de refolement du condensat doit être installée, s'assurer que le diamètre de ses tuyaux est supérieur à celui du raccord d'au moins une catégorie, que son circuit est le plus court et le plus direct possible, qu'elle est fixée solidement en place et qu'elle est dirigée vers un point de purge convenable. Le condensat doit être éliminé en conformité avec les lois et règlements en vigueur au niveau municipal, provincial et fédéral.

REMARQUE : Tous les systèmes à air comprimé produisent du condensat s'accumulant dans une pointe de décharge (p. ex. Réservoirs, filtres, branches d'égouttage, radiateurs secondaires, sécheurs). Ce condensat contient d'huile lubrifiant et/ou des substances réglementées qui doivent être enlevés selon les lois et les règlements municipaux, provinciaux et fédéraux.

CÂBLAGE ÉLECTRIQUE

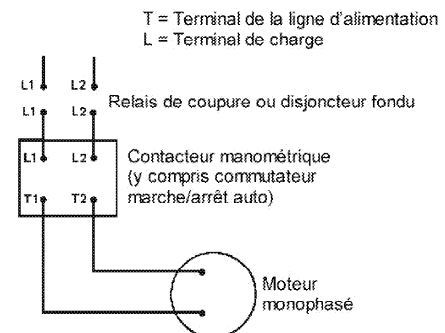
⚠ MISE EN GARDE : L'installation et les révisions du circuit électrique doivent être effectuées par un électricien agréé qui connaît les lois et règlements municipaux, provinciaux et fédéraux qui sont en vigueur.

Généralités. Les caractéristiques nominales du moteur, indiquées sur la plaquette signalétique, et l'alimentation électrique doivent correspondre au niveau de la tension, des phases et des cycles.

Calibre des fils. Le câblage reliant l'alimentation électrique et le moteur varie en fonction de la puissance du moteur (HP). Les fils conducteurs doivent avoir le calibre requis pour prévenir une chute excessive de la tension au démarrage. Des renseignements concernant le choix du calibre des fils et l'assujettissement des raccordements devraient vous avoir été fournis avec le moteur. Autrement, se reporter au Code national de l'électricité ou d'autres lois et règlements municipaux, provinciaux et fédéraux. Si d'autres équipements électriques sont raccordés sur le même circuit que le compresseur, il faut prendre en considération la charge électrique totale lors de la sélection du calibre des fils. NE PAS UTILISER DE FILS TROP PETITS.

Fusibles. Se reporter au Code national de l'électricité afin de déterminer les caractéristiques nominales requises du fusible ou du disjoncteur. Au moment de choisir les fusibles, prendre en compte le fait que le courant de pointe lors du démarrage d'un moteur électrique soit supérieur au courant à pleine charge. L'usage de fusibles à retardement ou à fusion temporisée est recommandé.

Câblage monophasé



LUBRIFICATION DU COMPRESSEUR

⚠ ATTENTION : Ne pas faire fonctionner le compresseur sans lubrifiant ou avec un lubrifiant qui ne convient pas. Ingersoll-Rand décline toute responsabilité pour les pannes du compresseur causées par une lubrification inadéquate.

Lubrifiant synthétique. Nous recommandons d'utiliser le lubrifiant synthétique Ingersoll-Rand dès la mise en marche. Pour de plus amples renseignements concernant la garantie prolongée, se reporter à la section GARANTIE.

Lubrifiants de rechange. On peut utiliser un lubrifiant à base de pétrole à condition qu'il soit de qualité supérieure, qu'il ne contienne aucun détergent, qu'il contienne comme additifs seulement des agents antirouille, antioxydants et antimousse, que son point d'éclair soit de 227 °C (440 °F) ou plus et que sa température d'inflammation spontanée soit de 343 °C (650 °F) ou plus. Il est bon de remarquer que l'utilisation d'un lubrifiant autre que le lubrifiant synthétique Ingersoll-Rand limite la garantie à une durée d'un an.

Se reporter ci-dessous au tableau de viscosité des lubrifiants à base de pétrole. Il est fourni exclusivement à titre d'information. Des conditions de marche rigoureuses nécessitent une viscosité plus élevée. Pour obtenir des recommandations, discuter avec le distributeur des conditions réelles de fonctionnement.

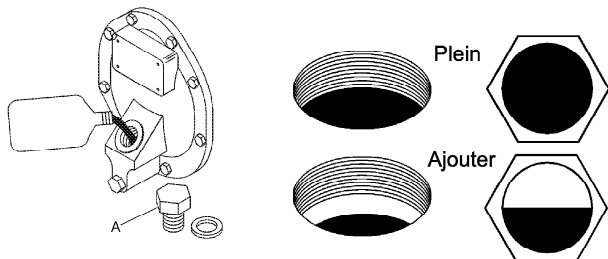
Température ambiante autour du compresseur		Viscosité @ 37,8 °C (100 °F)		Catégorie de viscosité	
°F	°C	SUS	Centistokes	ISO	SAE
40 et moins	4,4 et moins	150	32	32	10
40 à 80	4,4 à 26,7	500	110	100	30
80 à 125	26,7 à 51,0	750	165	150	40

Si, après avoir utilisé un lubrifiant pour compresseur à base de pétrole depuis la mise en marche, il est décidé de passer au lubrifiant synthétique Ingersoll-Rand, alors il faudra faire décrocher le compresseur par le distributeur avant d'effectuer la conversion.

Procédures de remplissage:

1. Dévisser et enlever le bouchon du réservoir à huile (A).
2. Remplir le carter lentement avec le lubrifiant, jusqu'à ce que le lubrifiant atteigne le filet inférieur de l'ouverture pour remplissage d'huile et le centre du voyant. La capacité du carter est 28 onces (827 mL).
3. Refermer le bouchon d'huile et le serrer seulement avec les doigts.

Procédures de remplissage

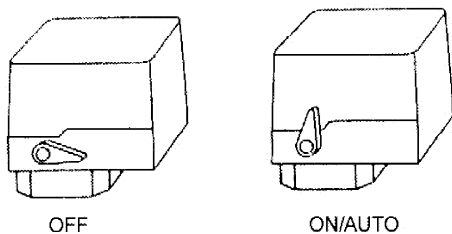


MISE EN MARCHÉ INITIALE

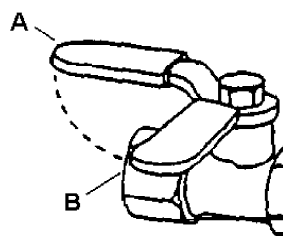
Utiliser cette procédure avant de la mise en marche initiale :

1. Mettre le levier du manostat (A) en position d'arrêt.
 2. Ouvrir la soupape de service (B) pour éviter l'accumulation de la pression dans le réservoir.
 3. Mettre le levier du manostat en position « MARCHE/AUTO ». Lancer l'unité.
 4. Laisser fonctionner l'unité pendant 30 minutes. Vérifier que la soupape de service est complètement ouverte et qu'il n'y a pas d'accumulation de pression dans le réservoir.
- ⚠ ATTENTION : Un bruit inhabituel ou des vibrations indique qu'il y a un problème. Cesser de faire fonctionner l'appareil jusqu'à ce que la source du problème ait été identifiée et corrigée. EN CAS DE SITUATIONS D'URGENCE, IMMÉDIATEMENT COUPER L'ALIMENTATION PRINCIPALE.**
5. Après 30 minutes, fermer la soupape de service complètement. Le réservoir d'air se remplira jusqu'à la pression de disjonction et le moteur s'arrête. L'unité est prête pour l'emploi.

Levier du manostat



Soupape de service



MODE D'EMPLOI

GÉNÉRALITÉS

Ce compresseur d'air est conçu pour un service continue de 100% en utilisant le lubrifiant synthétique Ingersoll-Rand et pour un service continue de 60% en utilisant un lubrifiant à base de pétrole. L'utilisation d'un lubrifiant synthétique permet le compresseur de pomper continuellement sans cyclage. Un lubrifiant à base de pétrole limite le compresseur à un maximum de 36 minutes de pompage par heure. La limite de cyclage de la pompe est 10 cycles par heure.

DÉMARRAGE NORMAL

1. Mettre le levier du manostat en position « ARRÊT ».
 2. Fermer la soupape de service.
 3. Connecter le tuyau et les accessoires.
 4. Mettre le levier du manostat en position « MARCHE/AUTO ». L'unité sera mise en marche.
 5. Laisser augmenter la pression du réservoir. Si la pression du réservoir atteint la pression de disjonction, le moteur s'arrêtera.
 6. Ouvrir la soupape de service. L'unité est prête pour l'emploi.
- REMARQUE : Le manostat se remet à zéro et redémarre l'unité, si la pression du réservoir récepteur s'abaisse au-dessous du minimum établi en usine.**

Quand vous avez fini :

1. Mettre le levier du manostat en position « ARRÊT ».
2. Complètement fermer la soupape de service.
3. Enlever l'outil pneumatique ou l'accessoire.
4. Lentement ouvrir la soupape de service pour purger la pression d'air jusqu'à 20 psig.
5. Lentement ouvrir la soupape de vidange manuelle au fond du réservoir pour purger tout condensat (eau).
6. Fermer la soupape de vidange et la soupape de service.

ENTRETIEN

⚠ MISE EN GARDE : Couper, bloquer et identifier l'alimentation principale et relâcher la pression d'air du circuit avant d'effectuer l'entretien.

REMARQUE : Tous les systèmes d'air comprimé comportent des éléments (par ex. l'huile lubrifiante, les filtres, les séparateurs) qui sont remplacés périodiquement. Ces éléments peuvent être ou peuvent contenir des substances réglementées qui doivent être éliminées en conformité avec les lois et les règlements en vigueur au niveau municipal, provincial et fédéral.

REMARQUE : Lors du démontage, prendre note de la position et de l'orientation des pièces afin de faciliter leur assemblage éventuel. Les séquences d'assemblage ainsi que les pièces figurant dans les illustrations peuvent ne pas correspondre à votre appareil.

Tous les jours ou avant chaque mise en marche

- Vérifier le niveau de lubrifiant. Remplir au besoin.
- Vidanger le condensat du réservoir. Ouvrir le purgeur manuel, capter le condensat et l'éliminer de la manière appropriée.
- Vérifier si l'appareil émet un bruit ou des vibrations inhabituelles.
- S'assurer que les carters de courroies et autres sont fixés solidement en place.
- S'assurer que l'espace autour du compresseur ne comporte pas de chiffons, d'outils, de débris et de matières inflammables ou explosives.

Une fois par semaine

- Inspecter les éléments filtrants du filtre d'aspiration. Les nettoyer au besoin.

Une fois par mois

- Vérifier s'il y a des fuites d'air. Asperger de l'eau savonneuse autour des joints pendant que le compresseur est en marche et vérifier si des bulles se forment.
- S'assurer que les vis et les boulons sont bien serrés. Les serrer au besoin.
- Nettoyer l'extérieur.

3/500 *

- Changer le lubrifiant à base de pétrole pendant que le carter principal est encore tiède.

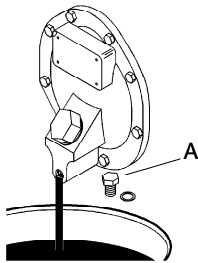
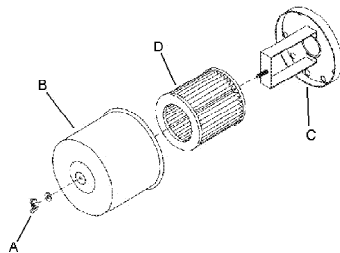
12/2000 *

- Vidanger le lubrifiant synthétique pendant que le carter principal est encore tiède.
- Remplacer l'élément filtrant.

* indique les nombres de mois ou d'heures de fonctionnement, selon la première éventualité.

INSPECTION ET NETTOYAGE DU FILTRE

1. Dévisser et enlever l'écrou (A) fixant le carter du filtre (B) à la base (C).
2. Enlever le carter du filtre et enlever l'élément du filtre existant (D). Nettoyer l'élément avec un jet d'air ou un aspirateur.
3. Replacer l'élément du filtre et le carter, et fixer les avec l'écrou enlevé.

**VIDANGE D'HUILE**

1. Ouvrir le bouchon de vidange d'huile (A) et laisser le lubrifiant s'écouler dans un contenant propice.
2. Remplacer le bouchon de vidange d'huile.
3. Suivre les directives de remplissage de la section Mode d'emploi.

DÉPANNAGE

La présente section dresse la liste des pannes les plus fréquentes que subissent les compresseurs ainsi que des correctifs appropriés. Certains correctifs pourront être apportés par l'utilisateur ou son personnel d'entretien, alors que d'autres exigeront l'aide d'un électricien agréé ou du distributeur.

PROBLÈME**POINT DE VÉRIFICATION**

Usure anormale des pistons, des segments ou des cylindres	4, 8, 9, 18, 23, 29
Chute du débit d'air	1, 6, 15, 17, 18, 24
Tuyaux du inter-refroidisseur ou post-enfroidisseur rompus	30

PROBLÈME**POINT DE VÉRIFICATION**

Le compresseur n'atteint pas sa vitesse de marche	2, 6, 12, 15, 20
Le compresseur met trop de temps à atteindre sa vitesse de marche	27, 28
Le compresseur devient extrêmement chaud	3, 14, 15
Bruit excessif à l'usage	2, 6, 15, 20, 22, 27
Arrêts et démarrages trop fréquents	5, 11, 16, 27, 31
Cognements ou cliquetis	2, 15, 16, 18, 19, 20
L'éclairage scintille ou faiblit lorsque le compresseur est en usage	12, 13
Humidité dans le carter principal ou aspect laiteux du lubrifiant à base de pétrole ou rouille dans les cylindres	9, 10
L'interrupteur de surcharge du moteur est déclenché ou le moteur tire trop de courant	5, 6, 12, 13, 14, 15, 18, 19, 20, 28
De l'huile dans l'air de refoulement (pompage d'huile)	4, 7, 9, 17, 18, 21, 29
Fuite de l'huile du joint de l'arbre	21
La soupape de sûreté et de décharge crépite"	1, 5, 24, 25
Haute pression intermédiaire	25
Basse pression intermédiaire	26
Le moteur ne démarre pas	12

POINT À VÉRIFIER**CAUSE POSSIBLE****SOLUTION POSSIBLE**

1	Filtre sale à l'aspiration et/ou au refoulement	Nettoyer ou remplacer
2	Poulie motrice ou volant de courroie mal serré, trop de jeu dans l'arbre moteur ou courroies d'entraînement lâches	Vérifier le volant, la poulie motrice, le vilebrequin, la tension et l'alignement de la courroie d'entraînement. Réparer ou remplacer au besoin
3	Ventilation insuffisante autour du volant de la courroie	Déplacer le compresseur pour assurer une meilleure circulation d'air
4	Viscosité trop faible du lubrifiant	Vidanger le lubrifiant actuel et le remplacer par un lubrifiant qui convient
5	Fuites d'air dans les canalisations de refoulement	Vérifier les tubes et les raccords. Serrer les connexions ou remplacer au besoin
6	Viscosité trop élevée du lubrifiant	Vidanger le lubrifiant actuel et le remplacer par un lubrifiant qui convient
7	Niveau de lubrifiant trop faible	Vidanger le lubrifiant en excès
8	Quantité de lubrifiant insuffisante	Ajouter de lubrifiant au carter jusqu'à le niveau approprié
9	Le lubrifiant utilisé est du type à détergent	Vidanger le lubrifiant actuel et le remplacer par un lubrifiant qui convient
10	Cycles de marche extrêmement légers	Faire fonctionner le compresseur par cycles plus longs
	Le compresseur est situé dans un lieu humide	Déplacer le compresseur. Installer une trousse de chauffage du carter principal
11	Le différentiel du manostat est trop étroit	Si un réglage du différentiel est souhaité, installer un manostat avec réglage du différentiel

POINT À VÉRIFIER	CAUSE POSSIBLE	SOLUTION POSSIBLE	POINT À VÉRIFIER	CAUSE POSSIBLE	SOLUTION POSSIBLE
12	Tension de secteur incorrecte	Vérifier la tension du secteur et faire installer au besoin des lignes plus puissantes. Communiquer avec un électricien	27	Mode de démarrage et d'arrêt automatique inadéquat pour la consommation d'air	Fonctionnement à une vitesse constante requis. Communiquer avec votre revendeur pour obtenir des recommandations
	La capacité du câblage ou du panneau de distribution est trop faible	Installer un câblage ou un panneau du calibre approprié. Communiquer avec un électricien	28	La température de l'air ambiant est trop faible	Installer une trousse de chauffage du carter principal. Convertir l'appareil au lubrifiant synthétique. Installer le compresseur dans un lieu plus chaud.
	Mauvais contact aux bornes du moteur ou du démarreur	Assurer un contact adéquat sur les bornes du moteur ou du démarreur	29	Paroi de cylindre usée	Roder le cylindre à l'aide d'un rodoir flexible de 180 grains
	Réchauffeurs de surcharge inadéquats sur le démarreur	Installer les bons réchauffeurs de surcharge du démarreur. Communiquer avec un électricien	30	Volant de courroie déséquilibré, tuyaux sans support ou rattachement, vitesse erronée de la poulie	Inspecter le niveau de vibrations, remplacer la poulie ou le volant au besoin, serrer les pinces des tuyaux
13	Contrôle d'alimentation inadéquat (circuit mal équilibré)	Communiquer avec la compagnie d'électricité	31	Trop de condensat dans le réservoir	Purger le réservoir à l'aide du purgeur manuel
14	Courroies d'entraînement trop lâches ou mal alignées	Ajuster les courroies pour leur donner la tension et l'alignement qui convient			
15	Fuites, bris ou accumulation de calamine dans les clapets du compresseur	Inspecter les clapets. Les nettoyer ou les remplacer au besoin. Installer une trousse de rechange clapets et joints.			
16	Accumulation de calamine sur le fond des pistons	Nettoyer les pistons. Les réparer ou les remplacer au besoin			
17	Segments de pistons endommagés ou usés (cassés, rugueux ou égratignés). Coupe ou dégagement latéral trop grand	Installer une trousse de rechange segments et joints			
	Les segments sont hors de leur logement ou coincés dans leurs gorges ou leurs coupes ne sont pas décalées	Ajuster les segments			
18	Les cylindres ou les pistons sont égratignés, usés ou entaillés	Réparer ou remplacer au besoin			
19	Une bielle, un axe de piston ou des paliers du maneton sont usés ou entaillés	Tout inspecter. Réparer ou remplacer les pièces au besoin. Installer une trousse de rechange clapets et joints.			
20	Paliers à billes défectueux sur le vilebrequin ou l'arbre moteur	Inspecter les paliers et les remplacer au besoin. Installer une trousse de rechange clapets et joints.			
21	Le joint d'huile est usé ou le vilebrequin est entaillé	Remplacer le joint. Installer un manchon d'arbre au besoin. Installer une trousse de rechange clapets et joints.			
22	Fuite de la soupape de sûreté ou siège de soupape usé	Remplacer la soupape de sûreté			
23	Atmosphère chargée de poussières	Installer une canalisation d'aspiration à distance et l'acheminer vers une source d'air propre. Installer un système de filtration plus efficace			
24	Soupape de sûreté et de décharge défectueuse	La remplacer			
25	Fuites dans la soupape d'entrée de haute pression	Inspecter, nettoyer ou réparer au besoin			
26	Fuites dans la soupape d'entrée de basse pression	Inspecter, nettoyer ou réparer au besoin			

GARANTIE ET LIMITATION DE RESPONSABILITÉ**GARANTIE**

La société Ingersoll-Rand garantit que l'équipement fabriqué et livré par les présentes ne comporte aucun défaut de matériel ou de malfaçon et ce pendant une période douze (12) mois à partir de la date de mise en service de l'équipement ou de dix-huit (18) mois à partir de la date de livraison, selon la première éventualité. Cette période de garantie s'appliquera à tout équipement, sauf les suivants : (A) dans le cas des compresseurs fonctionnant exclusivement avec le lubrifiant synthétique de la société, Ingersoll-Rand Synthetic Lubricant, le châssis nu du compresseur sera garanti pendant une période de vingt quatre (24) mois à partir de la date de mise en service de l'équipement ou de trente (30) mois à partir de la date de livraison, selon la première éventualité ; (B) les pièces de rechange seront garanties pendant six (6) mois à partir de la date de livraison. Si la société est avisée par écrit d'une violation des dispositions de la présente garantie à l'intérieur de la période requise, alors la société s'engage, à son gré, à y remédier soit en réparant correctement l'équipement, soit en fournissant une pièce de rechange FAB du point d'origine, pourvu que l'acheteur ait installé, exploité et entretenu l'équipement conformément aux pratiques acceptées de l'industrie et qu'il ait suivi les recommandations particulières de la société. Les accessoires et les équipements fournis par la société mais fabriqués par un tiers seront protégés par la garantie obtenue du tiers par Ingersoll-Rand et ayant pu être cédée à l'acheteur. La société ne sera en aucun cas tenue responsable des réparations, des remplacements ou des réglages effectués à l'équipement ou du coût de main-d'œuvre engagé par l'acheteur sans l'autorisation écrite préalable de la société.

La société ne fait aucune garantie quant à la performance, exception faite des déclarations particulières faites dans sa proposition. Les effets de la corrosion, de l'érosion ainsi que de l'usure normale sont explicitement exclus des protections assurées par la garantie. Si des garanties de performance ont été explicitement incluses, alors les obligations de la société seront limitées à assurer un correctif de la manière et durant la période précisé ci-dessus.

La société ne fait aucune autre garantie ou déclaration de quelque sorte que ce soit, de nature implicite ou explicite, sauf en ce qui concerne le titre, et elle renonce par les présentes à toute garantie implicite de QUALITÉ loyale et marchande.

La correction par la société de tout vice, qu'il soit apparent ou caché, de la manière et pendant la période établis ci-dessus, constituera l'accomplissement de toutes les responsabilités de la société et de ses distributeurs en vertu de tout vice qui concerne l'équipement ou qui en découle.

LIMITATION DE RESPONSABILITÉ

Les recours de l'acheteur en vertu de la présente sont exclusifs et la responsabilité totale de la société, de ses distributeurs et de ses fournisseurs en ce qui concerne l'exécution ou la violation du contrat ou de l'équipement et des services fournis, ou en ce qui concerne la fabrication, la vente, la livraison, l'installation, la réparation ou la direction technique prévue au contrat ou fournie en vertu de ce dernier, que ce soit en vertu d'un contrat, d'une garantie, de la négligence, d'une indemnisation, de la responsabilité stricte ou autrement, ne pourra pas dépasser le prix d'achat de l'unité d'équipement sur laquelle la responsabilité est fondée.

La société, ses distributeurs et ses fournisseurs ne seront dans aucune éventualité tenus responsables envers l'acheteur, ses ayants droit, ses bénéficiaires ou ses cessionnaires en vertu d'un contrat des dommages-intérêts indirects, accessoires, fortuits, particuliers ou exemplaires survenant en vertu du présent contrat ou de sa violation ou d'un défaut, d'une défectuosité ou d'une anomalie de l'équipement, qu'ils soient fondés sur la perte de jouissance, la perte de profits ou de revenus, l'intérêt, la perte d'achalandage, l'arrêt du travail, les dommages à d'autres biens, les pertes en raison d'un arrêt de fonctionnement, l'accroissement des dépenses d'exploitation, le coût d'achat d'une alimentation de rechange ou les réclamations de clients ou d'acheteurs de clients en raison d'une interruption de service, peu importe que telle perte ou que de tels dommages soient fondés sur un contrat, une garantie, une négligence, une indemnité, une responsabilité stricte ou autrement.



A series of horizontal lines for writing, starting from the top line and extending down the page.