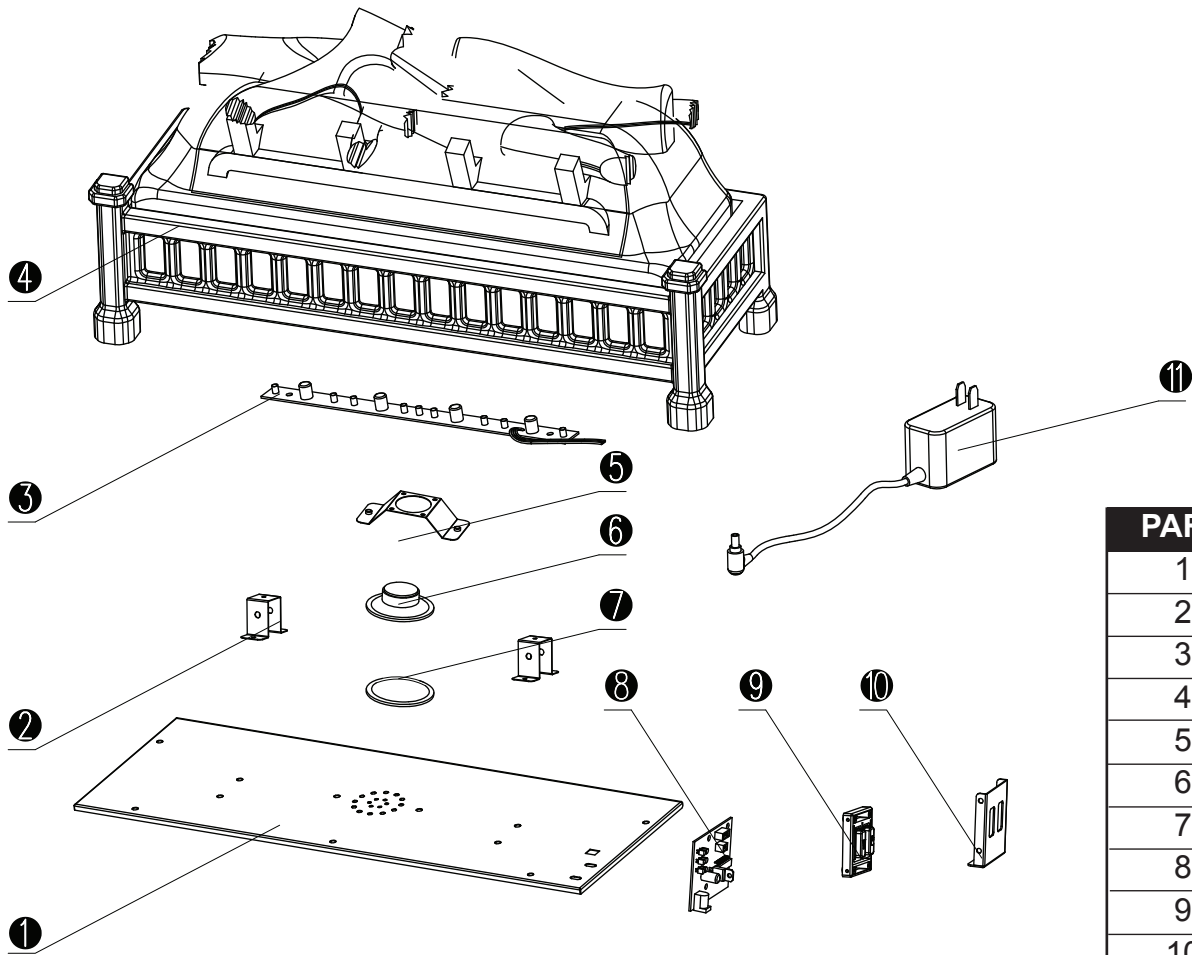


PACKAGE CONTENTS



PART	DESCRIPTION	PART #
1	Base Panel	EFL24350A
2	LED Fixing Panel	EFL24351A
3	LED Board	EFL24352A
4	Log Set	EFL24353A
5	Speaker Fixing Panel	EFL24354A
6	Speaker	EFL24355A
7	Speaker Washer	EFL24356A
8	PCB	EFL24357A
9	Control Box	EFL24358A
10	PCB Fixing Panel	EFL24359A
11	Transformer Plug	EFL24360A

Some parts and specifications may change without notice.

