



**1-800-779-2102**

Mon – Thurs: 8:00am - 5:00pm | Friday: 8:00am - 4:00pm CST

**INSPECT YOUR PRODUCT FOR DAMAGE & MISSING  
PARTS BEFORE PROCEEDING TO INSTALLATION**

**PROCEDURE FOR RETURNS OR MISSING HARDWARE**

-PLEASE CONTACT THE ORIGINAL POINT OF PURCHASE FOR:  
SHIPPING DAMAGE, RETURNS, OR WARRANTY CLAIMS

-CONTACT DEE ZEE DIRECTLY FOR MISSING PARTS OR HARDWARE

**WWW.DEEZEE.COM**

REGISTER YOUR PRODUCT ONLINE: [www.deezee.com/registration](http://www.deezee.com/registration)

VIEW INSTRUCTIONS ONLINE: [www.deezee.com/instructions](http://www.deezee.com/instructions)

---

**⚠ WARNING:** Cancer and Reproductive Harm  
[www.P65Warnings.ca.gov](http://www.P65Warnings.ca.gov)

Operating, servicing, and maintaining a passenger vehicle can expose you to chemicals such as lead, phthalates, engine exhaust, and carbon monoxide that are known to the State of California cause cancer and birth defects or other reproductive harm. To minimize exposure, service your vehicle and its accessories in a well-vented area and wear gloves or wash your hands frequently.



## DEE ZEE, INC. WARRANTY AGREEMENT

Dee Zee, Inc. guarantees the original purchaser a limited lifetime warranty against manufacturer defects in materials, workmanship, and design under normal use, excluding damage resulting from road hazards such as gravel or other debris, product misuse, improper installation, impairments from accidents, product modifications, improper repairs, spills, vandalism, product neglect, or acts of God.

This warranty applies only to the original purchaser of new product(s) and is limited to the replacement of genuine Dee Zee products. Modification of any kind to Dee Zee products voids all warranty coverage. Warranty does not include electrical components, installation, cost of removal, labor, transportation costs, loss of use, inconvenience, or consequential damages.

## WARRANTY COVERAGE - MATERIALS & WORKMANSHIP

### LIMITED LIFETIME WARRANTY:

- STAINLESS STEEL: Side Steps, Grill Guards, Bull Bars, Bed Caps, and Side Rails
- ALUMINUM: Side Steps, Running Boards, Storage Boxes, Transfer Tanks, Bed Protection, Side Rails, Invis-A-Racks, and Cab Racks
- PLASTIC: Storage Boxes
- OTHER: Front and Rear Bumpers

### THREE-YEAR WARRANTY:

- POWDER-COATED / E-COATED STEEL: Side Steps, Running Boards, Storage Boxes, Transfer Tanks, Cab Racks, Sport Bar Ladder Racks, Cargo Carriers, Mounting Brackets (NX, Rough Step, and Bumper Guards only)
- OTHER: Tailgate Assist, Bed Mats, Floor Mats, Auxiliary Fuel Connection Kits, and All Products Not Otherwise Listed Individually

## WARRANTY COVERAGE – FINISH PROTECTION

The finish of all Dee Zee products is covered for one-year (1) from the date of purchase. Dee Zee products have a high quality finish that must be cared for and maintained like any other exposed finish on the vehicle. Protect the finish with non-abrasive automotive wax (e.g. Pure Carnauba) on a regular basis. Applying soaps, polishes, or waxes that contain an abrasive compound may scratch the finish and leave the exposed material susceptible to corrosion.

## WARRANTY COVERAGE – COMPONENT PARTS

Operational items such as shocks, latches, hinges, and wear items including, but not limited to, mud flaps, step pads, toolbox tray, end caps, hardware, seals, etc. have a one-year (1) warranty. Replacement component parts can be ordered via credit card (MasterCard or VISA) by calling 1-800-779-2102. All replacement parts are non-returnable and non-refundable.

## **GPI® FUEL PUMPS & ACCESSORIES**

All Great Plains Industries (GPI) products, including transfer tank pumps and fuel meters are covered by GPI's warranty policies. Dee Zee's warranty terms do not apply to GPI products. To submit a warranty claim, please contact GPI at 1-800-835-0113 or visit [www.gpi.net](http://www.gpi.net).

### **WARRANTY SUBMISSION PROCEDURE**

All warranty claims will be initiated at the place of purchase. The original purchaser will be required to present the original sales receipt with purchase date shown and provide photographs of the defect.

In the event the originally purchased product style is no longer available, Dee Zee will warranty the defective part with a current equivalent. If a comparable product is no longer available, the product would be returned to the store of purchase for a refund or the applicable cost difference can be paid to choose an alternate style.

### **DISCLAIMER**

All products are sold as appearance accessories and should not be relied upon as protection for the vehicle or its occupants in the event of an accident. Vehicles equipped with a supplemental restraints system (air bags) deployed by impact and collision avoidance systems should not be modified in any way. Always consult the vehicle manufacturer if you have any questions regarding supplemental restraint systems and sensors.

Buyer must accommodate front and rear sensors during product installation and assumes all risk should these be tampered, rerouted, severed, or disconnected. This includes disabling visual, audio, or vibration alerts into the cab. Buyer assumes all risk and responsibility for wiring any supplemental auxiliary lights.

Buyer assumes all risk, liability, and cost for the installation and use of Dee Zee products. Dee Zee, Inc. assumes no liability for injury, loss, incidental or consequential damages in the event of an accident.



Thank you for choosing Dee Zee to add function and accessorize your vehicle. Dee Zee has been a staple brand in the truck accessory market since 1977 and we hold a reputation of quality manufacturing based in America's Heartland. Our products are born through careful engineering and backed by industry leading warranty programs. We appreciate the opportunity to serve you and your vehicle!

**Review the instruction pages in their entirety to prepare the required tools**

**Warning:** Please check for wiring or other obstructions before drilling any holes in the vehicle. If it is necessary to drill any holes, Dee Zee recommends putting a sealant or rust inhibitory around all holes drilled into the body of the vehicle.

It is the sole responsibility of the vehicle owner to check for tire clearance. It is unlawful and dangerous to ride on any external vehicle step while the vehicle is in motion.

**Cleaning:** To be entitled to all warranty rights offered with the product, Dee Zee steps need to be cleaned regularly with a mild detergent. Do NOT use abrasive cleaners. For stainless steel products, the application of a high grade automotive wax is recommended.



Dee Zee Cares - Please Recycle

For an electronic version of these instructions visit: [www.deezee.com/instructions](http://www.deezee.com/instructions)

Register your product online: [www.deezee.com/registration](http://www.deezee.com/registration)

SIDEBARS WITH 90-DEGREE BENT ENDS  
98-01 DODGE RAM 1500 QUAD CAB, 98-02 25-3500 MODELS  
94-01 DODGE RAM CLUB CAB, 94-02 25-3500 MODELS

**(W)**

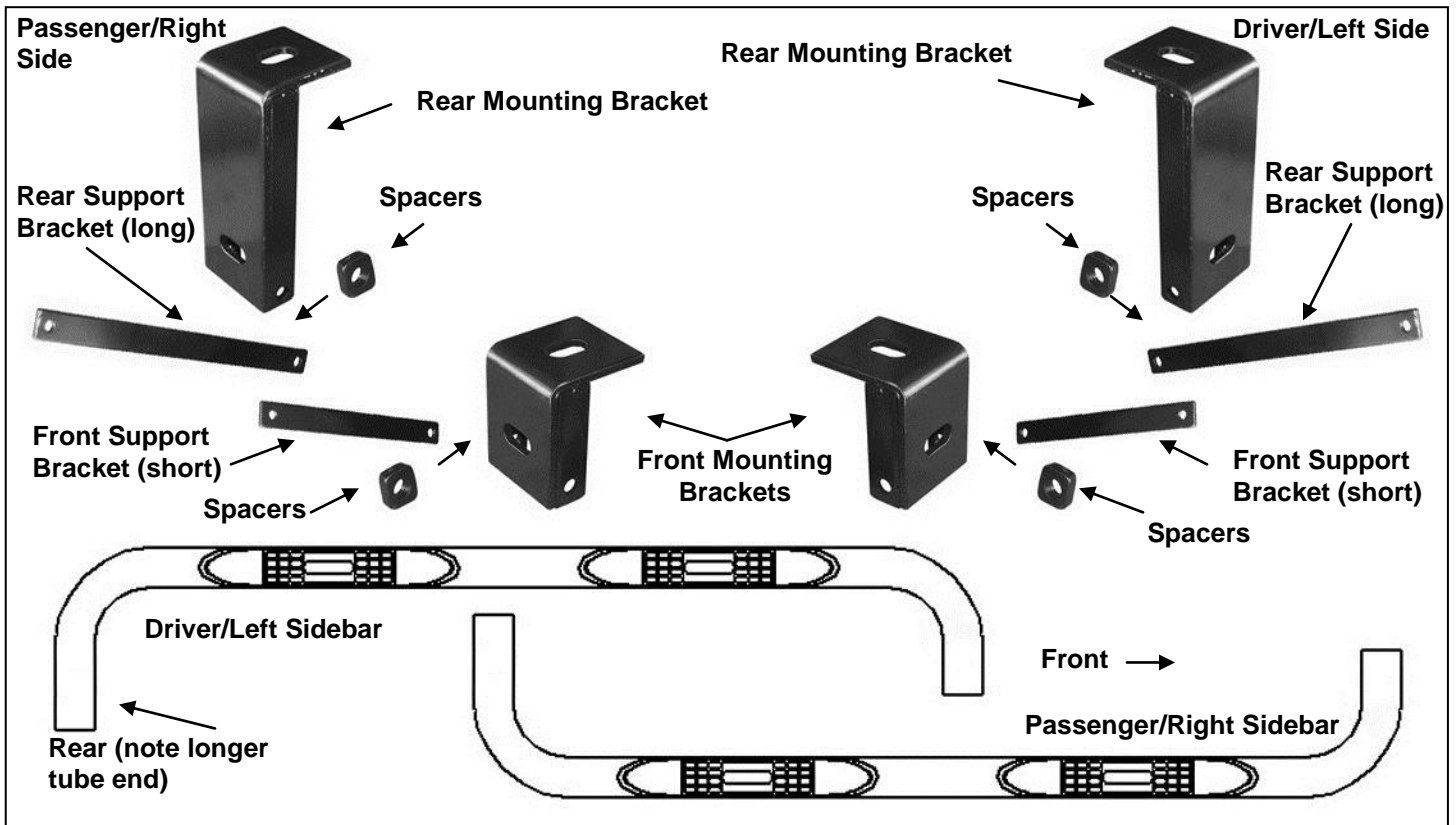
## **INSTALLATION INSTRUCTIONS**

**SIDEBAR**

**DODGE RAM 1500 QUAD CAB 98-01 ;RAM 2500/3500 QUAD CAB 98-02;  
RAM 1500 CLUB CAB 94-01 ; RAM 2500/3500 CLUB CAB 94-02  
PART # DZ 370231;DZ 370233;DZ 370221**

**PARTS LIST:**

1	Driver/Left Sidebar	8	12mm x 37mm OD x 3mm Flat Washers
1	Passenger/Right Sidebar	4	12mm Lock Washers
2	Front Mounting Brackets	4	10-1.50mm x 35mm Hex Bolts
2	Rear Mounting Brackets	4	10mm Lock Washers
2	Front Support Brackets (short)	8	10mm x 20mm OD x 2mm Flat Washers
2	Rear Support Brackets (long)	4	10mm Hex Nuts
4	Square Bracket Spacers (25 x 23 x 11mm)	4	ST6 x 32mm Self Tapping Sheet Metal Screws
4	12-1.75mm x 120mm Hex Bolts Gr.10.9	4	6mm Lock Washers
4	1/2" x 2" Hex Bolts	4	6mm x 18mm OD x 1.6mm Flat Washers
4	1/2" Lock Washers		



**PROCEDURE:**

1. REMOVE CONTENTS FROM BOX. VERIFY ALL PARTS ARE PRESENT. READ INSTRUCTIONS CAREFULLY BEFORE STARTING INSTALLATION. DRILLING IS REQUIRED.
2. Start the installation under the driver/left side of the vehicle. Remove the factory front body mount bolt, (**Figure 1**).

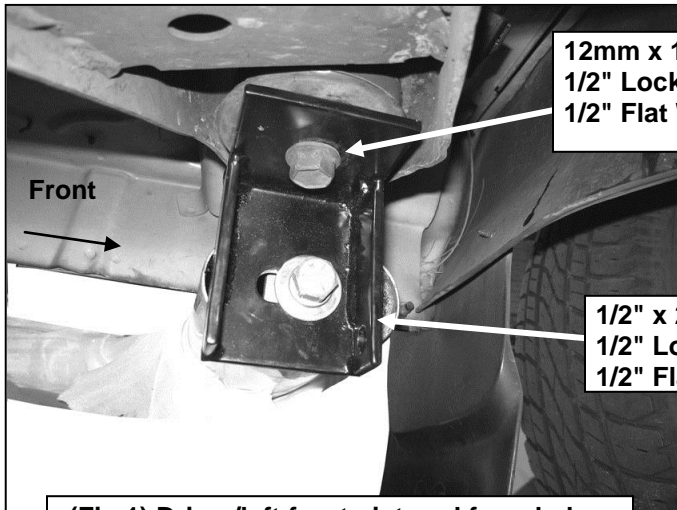
3. Select (1) front, (short), Mounting Bracket. Attach the front Bracket to the body mount using the included 12mm x 120mm Hex Bolt, 1/2" Lock Washer and 1/2" Flat Washer, **(Figure 1)**. Leave hardware loose at this time.
4. Repeat **Steps 2 & 3** to install the rear, (long), Mounting Bracket, **(Figure 2)**.
5. Position the Driver Sidebar up to the Mounting Brackets. Attach the Sidebar to the Brackets with the included (2) 1/2" x 2" Hex Bolts, (2) 1/2" Lock Washers and (2) 1/2" Flat Washers, **(Figures 1 & 2)**. **NOTE:** Shorter leg on Sidebar will attach to the front Bracket.
6. Align and adjust the Sidebar to the vehicle and fully tighten all hardware.
7. Select (1) short Front Support Bracket, **(Figure 3A)**. Insert (1) 10mm x 35mm Hex Bolt with (1) 10mm Flat Washer through the larger hole in the Support Bracket. Slide (1) Square Spacer onto the Hex Bolt, **(Figure 3B)**. Secure the Bracket with Spacer to the rear facing side of the front Mounting Bracket with (1) 10mm Flat Washer, (1) 10mm Lock Washer and (1) 10mm Hex Nut, **(Figure 4)**. **IMPORTANT:** Spacers have been provided to space the Support Bracket away from the Sidebar tube, **(Figure 3B)**. Insert the Spacer between the Support Bracket and the Mounting Bracket. The Spacer is designed to push the Support Bracket out to clear the Sidebar tube to prevent rubbing. Use as necessary.
8. Extend the Support Bracket upwards to the body channel. Use the hole in the Support Bracket as a template to mark the drilling location on the body channel, **(Figure 4)**.
9. Once you have marked the location, move the Support Bracket out of the way. Drill a 1/8" pilot hole in the marked location, **(Figure 4)**. The pilot hole is only recommended but not required for the self-drilling Sheet Metal Screws. **IMPORTANT!** Any cutting or drilling tool may break or shatter. Government regulations require safety glasses & equipment at all times when cutting or drilling.
10. Move the Support Bracket back into position and secure to the body channel with the included (1) ST6 x 32mm Sheet Metal Screw, 6mm Lock Washer and (1) 6mm Flat Washer, **(Figure 5)**. Tighten at this time. **IMPORTANT!** Do not over tighten the Screw or pull out may occur.
11. Repeat **Steps 7 – 10** for driver side rear Support Bracket installation, **(Figure 6A)**. **NOTE:** Rear Support Bracket mounts to the front facing side of the rear Mounting Bracket, **(Figure 6B)**.
12. Repeat **Steps 2 – 11** for passenger Sidebar installation.
13. Do periodic inspections to the installation to make sure that all hardware is secure and tight.

**To protect your investment**, wax this product after installing. Regular waxing is recommended to add a protective layer over the finish. Do not use any type of polish or wax that may contain abrasives that could damage the finish.

**For stainless steel:** Aluminum polish may be used to polish small scratches and scuffs on the finish. Mild soap may be used also to clean the Sidebar.

**For gloss black finishes:** Mild soap may be used to clean the Sidebar.

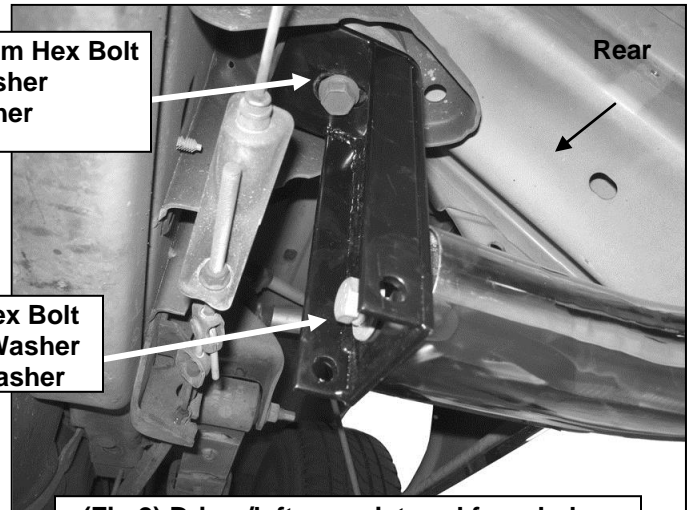
### Driver Side Installation Pictured



12mm x 120mm Hex Bolt  
1/2" Lock Washer  
1/2" Flat Washer

1/2" x 2" Hex Bolt  
1/2" Lock Washer  
1/2" Flat Washer

(Fig 1) Driver/left front pictured from below



(Fig 2) Driver/left rear pictured from below

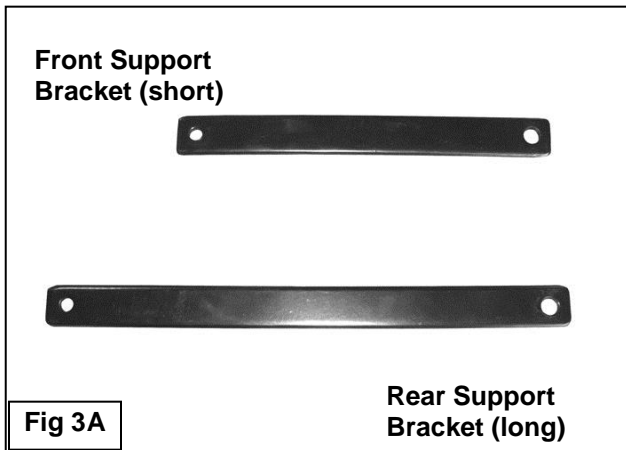
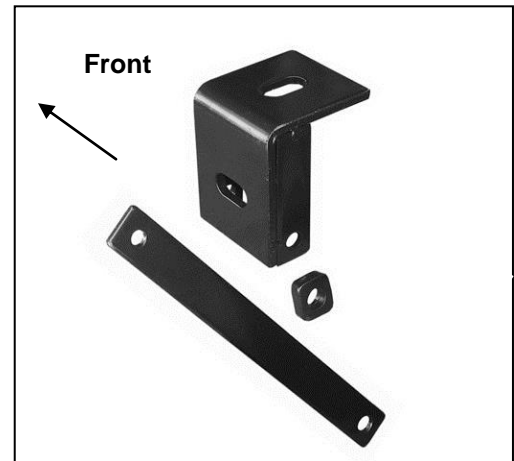
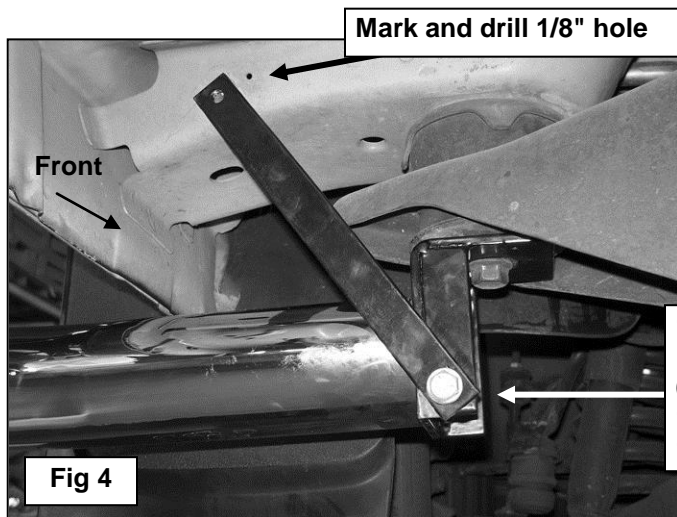


Fig 3A



(Fig 3B) Insert Spacer between Mounting Bracket and Support Bracket



10mm x 35mm Hex Bolt  
Bracket Spacer  
(2) 10mm Flat Washers  
10mm Lock Washer  
10mm Hex Nut

Fig 4



**Driver Side Installation Pictured**

