



1-800-779-2102

Mon – Thurs: 8:00am - 5:00pm | Friday: 8:00am - 4:00pm CST

**INSPECT YOUR PRODUCT FOR DAMAGE & MISSING
PARTS BEFORE PROCEEDING TO INSTALLATION**

PROCEDURE FOR RETURNS OR MISSING HARDWARE

-PLEASE CONTACT THE ORIGINAL POINT OF PURCHASE FOR:
SHIPPING DAMAGE, RETURNS, OR WARRANTY CLAIMS

-CONTACT DEE ZEE DIRECTLY FOR MISSING PARTS OR HARDWARE

WWW.DEEZEE.COM

REGISTER YOUR PRODUCT ONLINE: www.deezee.com/registration

VIEW INSTRUCTIONS ONLINE: www.deezee.com/instructions

⚠ WARNING: Cancer and Reproductive Harm
www.P65Warnings.ca.gov

Operating, servicing, and maintaining a passenger vehicle can expose you to chemicals such as lead, phthalates, engine exhaust, and carbon monoxide that are known to the State of California cause cancer and birth defects or other reproductive harm. To minimize exposure, service your vehicle and its accessories in a well-vented area and wear gloves or wash your hands frequently.



DEE ZEE, INC. WARRANTY AGREEMENT

Dee Zee, Inc. guarantees the original purchaser a limited lifetime warranty against manufacturer defects in materials, workmanship, and design under normal use, excluding damage resulting from road hazards such as gravel or other debris, product misuse, improper installation, impairments from accidents, product modifications, improper repairs, spills, vandalism, product neglect, or acts of God.

This warranty applies only to the original purchaser of new product(s) and is limited to the replacement of genuine Dee Zee products. Modification of any kind to Dee Zee products voids all warranty coverage. Warranty does not include electrical components, installation, cost of removal, labor, transportation costs, loss of use, inconvenience, or consequential damages.

WARRANTY COVERAGE - MATERIALS & WORKMANSHIP

LIMITED LIFETIME WARRANTY:

- STAINLESS STEEL: Side Steps, Grill Guards, Bull Bars, Bed Caps, and Side Rails
- ALUMINUM: Side Steps, Running Boards, Storage Boxes, Transfer Tanks, Bed Protection, Side Rails, Invis-A-Racks, and Cab Racks
- PLASTIC: Storage Boxes
- OTHER: Front and Rear Bumpers

THREE-YEAR WARRANTY:

- POWDER-COATED / E-COATED STEEL: Side Steps, Running Boards, Storage Boxes, Transfer Tanks, Cab Racks, Sport Bar Ladder Racks, Cargo Carriers, Mounting Brackets (NX, Rough Step, and Bumper Guards only)
- OTHER: Tailgate Assist, Bed Mats, Floor Mats, Auxiliary Fuel Connection Kits, and All Products Not Otherwise Listed Individually

WARRANTY COVERAGE – FINISH PROTECTION

The finish of all Dee Zee products is covered for one-year (1) from the date of purchase. Dee Zee products have a high quality finish that must be cared for and maintained like any other exposed finish on the vehicle. Protect the finish with non-abrasive automotive wax (e.g. Pure Carnauba) on a regular basis. Applying soaps, polishes, or waxes that contain an abrasive compound may scratch the finish and leave the exposed material susceptible to corrosion.

WARRANTY COVERAGE – COMPONENT PARTS

Operational items such as shocks, latches, hinges, and wear items including, but not limited to, mud flaps, step pads, toolbox tray, end caps, hardware, seals, etc. have a one-year (1) warranty. Replacement component parts can be ordered via credit card (MasterCard or VISA) by calling 1-800-779-2102. All replacement parts are non-returnable and non-refundable.

GPI® FUEL PUMPS & ACCESSORIES

All Great Plains Industries (GPI) products, including transfer tank pumps and fuel meters are covered by GPI's warranty policies. Dee Zee's warranty terms do not apply to GPI products. To submit a warranty claim, please contact GPI at 1-800-835-0113 or visit www.gpi.net.

WARRANTY SUBMISSION PROCEDURE

All warranty claims will be initiated at the place of purchase. The original purchaser will be required to present the original sales receipt with purchase date shown and provide photographs of the defect.

In the event the originally purchased product style is no longer available, Dee Zee will warranty the defective part with a current equivalent. If a comparable product is no longer available, the product would be returned to the store of purchase for a refund or the applicable cost difference can be paid to choose an alternate style.

DISCLAIMER

All products are sold as appearance accessories and should not be relied upon as protection for the vehicle or its occupants in the event of an accident. Vehicles equipped with a supplemental restraints system (air bags) deployed by impact and collision avoidance systems should not be modified in any way. Always consult the vehicle manufacturer if you have any questions regarding supplemental restraint systems and sensors.

Buyer must accommodate front and rear sensors during product installation and assumes all risk should these be tampered, rerouted, severed, or disconnected. This includes disabling visual, audio, or vibration alerts into the cab. Buyer assumes all risk and responsibility for wiring any supplemental auxiliary lights.

Buyer assumes all risk, liability, and cost for the installation and use of Dee Zee products. Dee Zee, Inc. assumes no liability for injury, loss, incidental or consequential damages in the event of an accident.



Thank you for choosing Dee Zee to add function and accessorize your vehicle. Dee Zee has been a staple brand in the truck accessory market since 1977 and we hold a reputation of quality manufacturing based in America's Heartland. Our products are born through careful engineering and backed by industry leading warranty programs. We appreciate the opportunity to serve you and your vehicle!

Review the instruction pages in their entirety to prepare the required tools

Warning: Please check for wiring or other obstructions before drilling any holes in the vehicle. If it is necessary to drill any holes, Dee Zee recommends putting a sealant or rust inhibitory around all holes drilled into the body of the vehicle.

It is the sole responsibility of the vehicle owner to check for tire clearance. It is unlawful and dangerous to ride on any external vehicle step while the vehicle is in motion.

Cleaning: To be entitled to all warranty rights offered with the product, Dee Zee steps need to be cleaned regularly with a mild detergent. Do NOT use abrasive cleaners. For stainless steel products, the application of a high grade automotive wax is recommended.



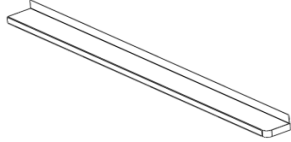
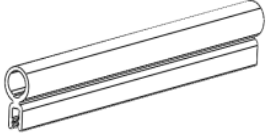
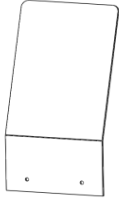
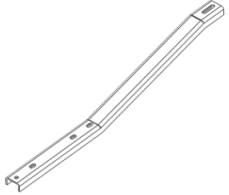
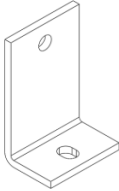
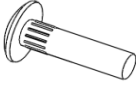
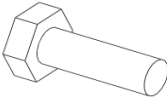

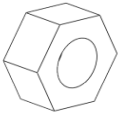
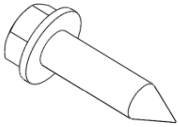
Dee Zee Cares - Please Recycle

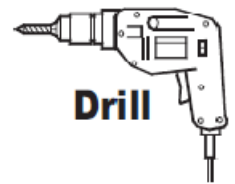
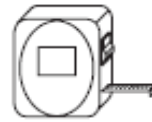
For an electronic version of these instructions visit: www.deezee.com/instructions

Register your product online: www.deezee.com/registration

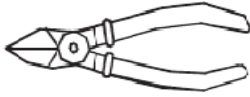
Dee Zee Brite Tread Board Installation Instruction

DZ 2045 Ford Van Front Doors Only

<p>A</p> <p style="text-align: center;">BT BOARD</p>  <p>BD 2045LP/RP 1 LH / 1 RH</p>	<p>B</p> <p style="text-align: center;">RUBBER TRIM</p>  <p>GSK-41 6.25 FT.</p>	<p>C</p> <p style="text-align: center;">MUD FLAP</p>  <p>FP0300 X2</p>	<p>D</p> <p style="text-align: center;">CHANNEL BRACE</p>  <p>B 1988 X4</p>
<p>E</p> <p style="text-align: center;">ROCKER PANEL BRACKET</p>  <p>B 81FX X4</p>	<p>F</p> <p style="text-align: center;">1/4 X 1" RIBNECK CARRIAGE BOLT</p>  <p>PN 87 X12</p>	<p>G</p> <p style="text-align: center;">1/4 X 3/4" HEX HEAD BOLT</p>  <p>PN 70 X8</p>	<p>H</p> <p style="text-align: center;">1/4" FLAT WASHER</p>  <p>PN 72 X 28</p>
<p>I</p> <p style="text-align: center;">1/4" HEX NUT</p>  <p>PN 71 X20</p>	<p>J</p> <p style="text-align: center;">SHEET METAL SCREW</p>  <p>PN 97 X8</p>		

TOOLS REQUIREDWRENCH/RATCHET
3/8", 7/16"TAPE
MEASURE

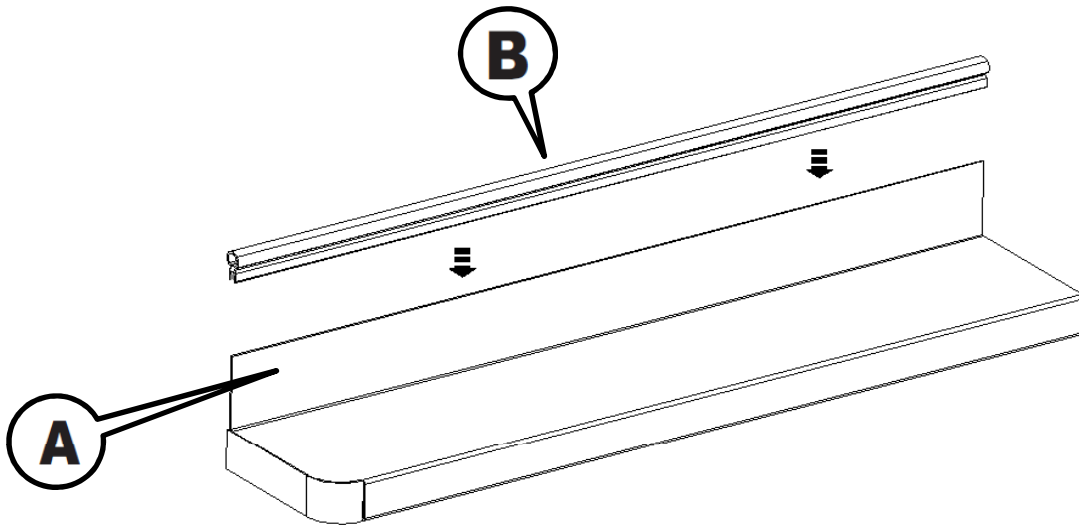
TIN SNIPS

**Drill**

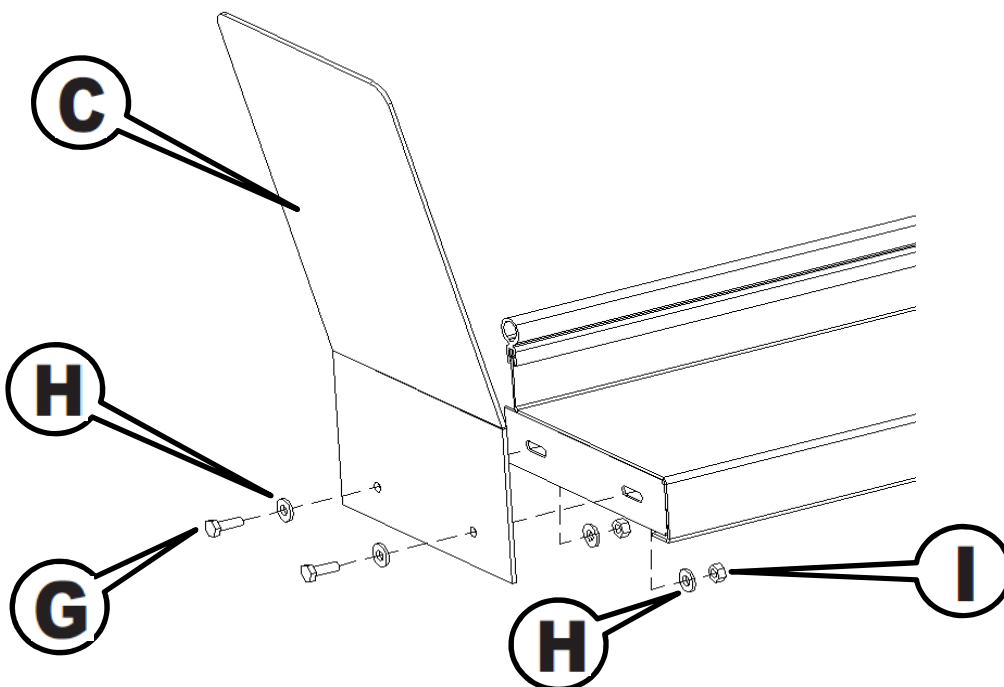
3/16" DRILL BIT

1/4" DRILL BIT

- 1** Place the rubber trim onto the back lip of the running board. Cut the trim to length using tin snips.

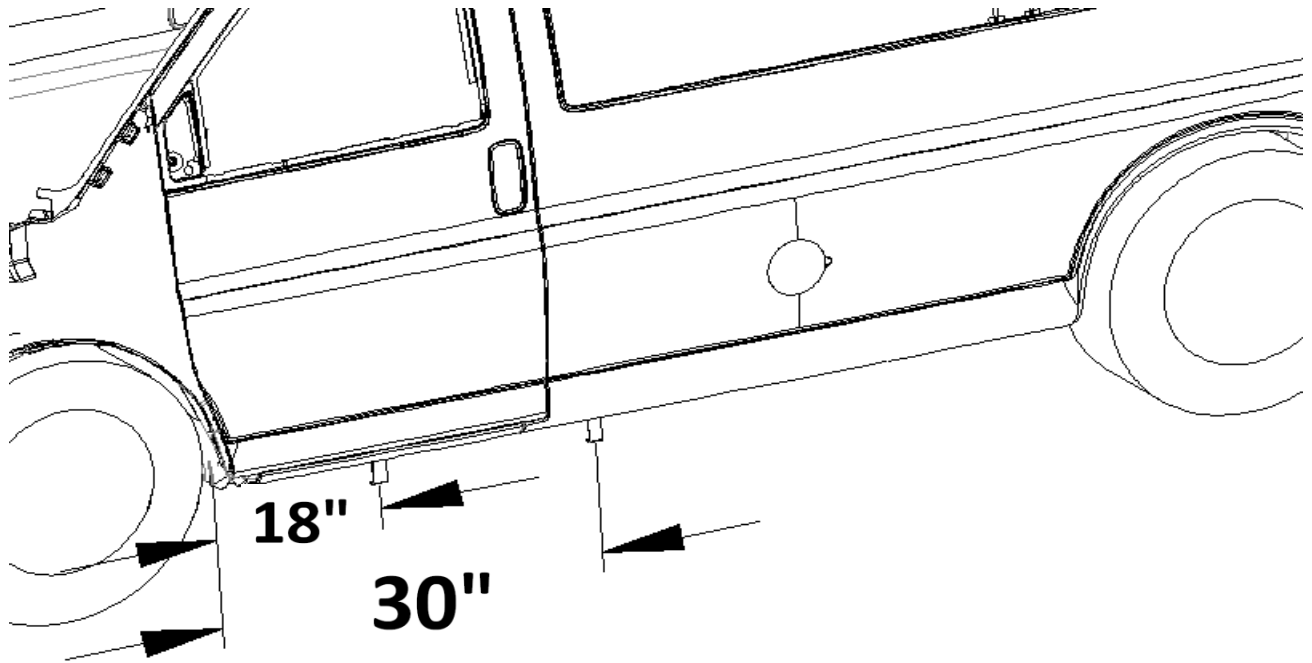


- 2** Attach the mud flap [C] to the end of the running board using the 1/4" x 3/4" hex head bolt [G], the 1/4" flat washer [H], and the 1/4" hex nut [I].



3

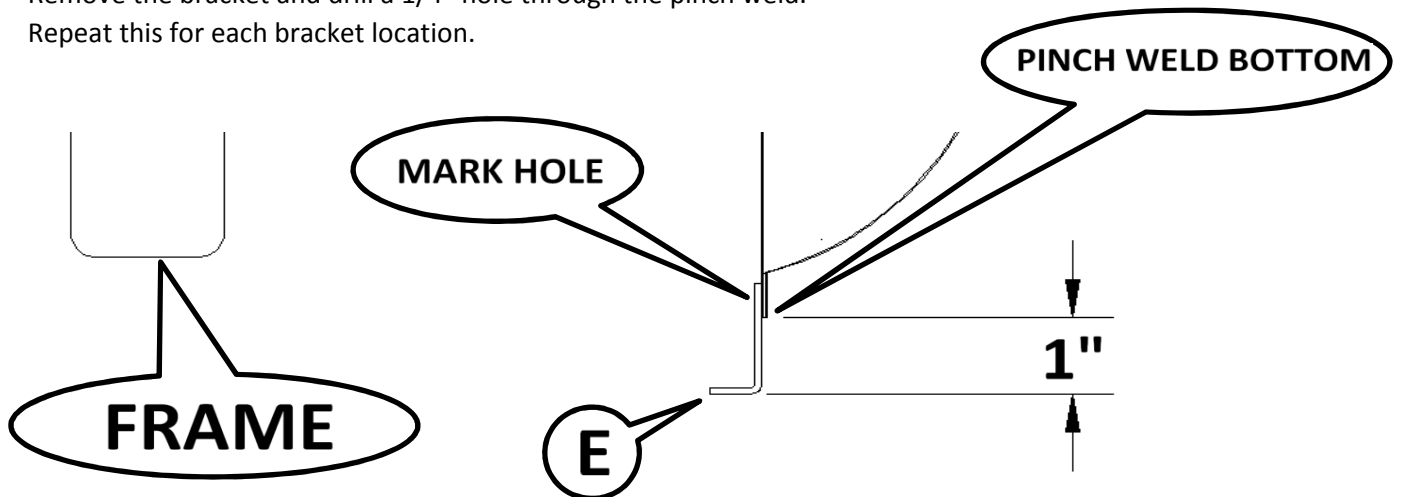
Measure back from the front wheel well and mark the lower rocker panel at 18" and 30". This will be the approximate location for the rocker panel bracket [E].



4

Make sure there is nothing on the bottom of the frame at these location that would obstruct the channel brace from being installed in the later steps. If there is an obstruction, move the rocker panel bracket to the front/rear as needed.

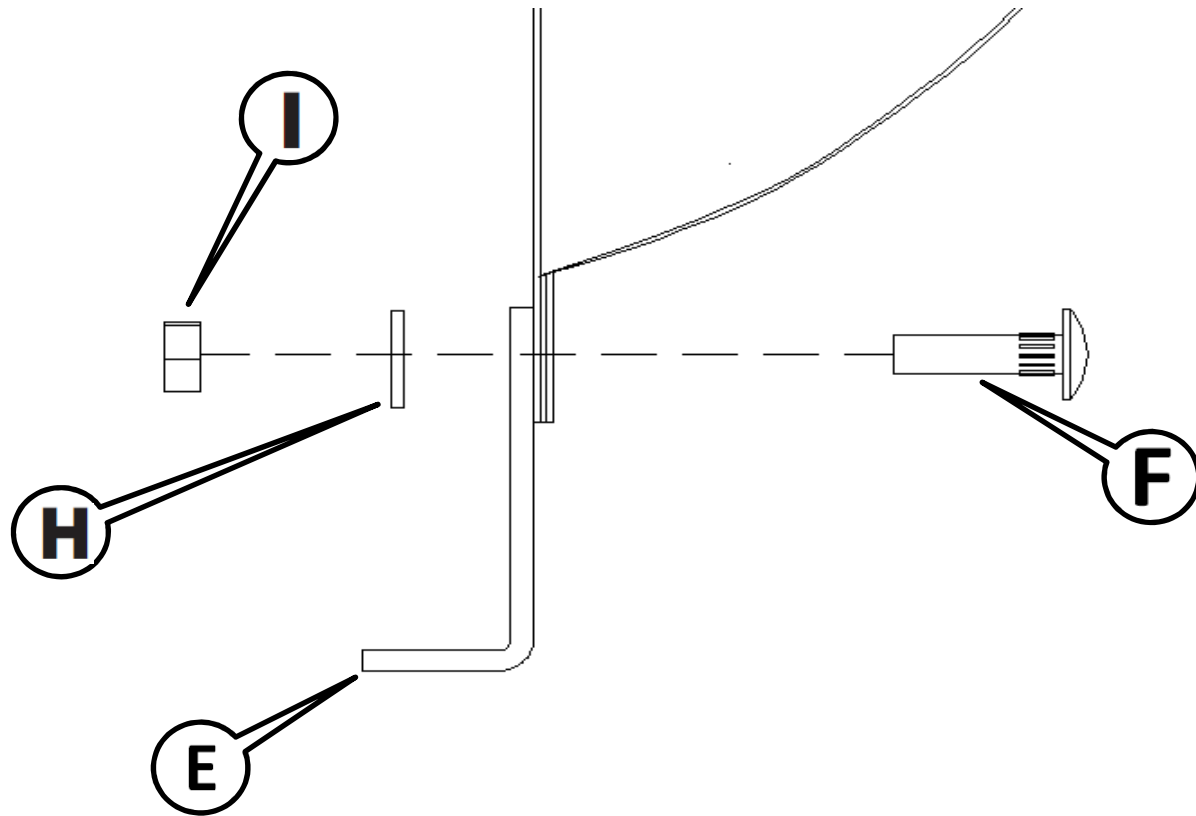
The top of the small leg on the mounting bracket should be 1" below the bottom of the pinch weld. Mark the hole location in the vertical long leg of the mounting bracket. Remove the bracket and drill a 1/4" hole through the pinch weld. Repeat this for each bracket location.



5

Attach the rocker brackets [E] to the rocker panel with a ribneck carriage bolt [F], washer [H], and nut [I].

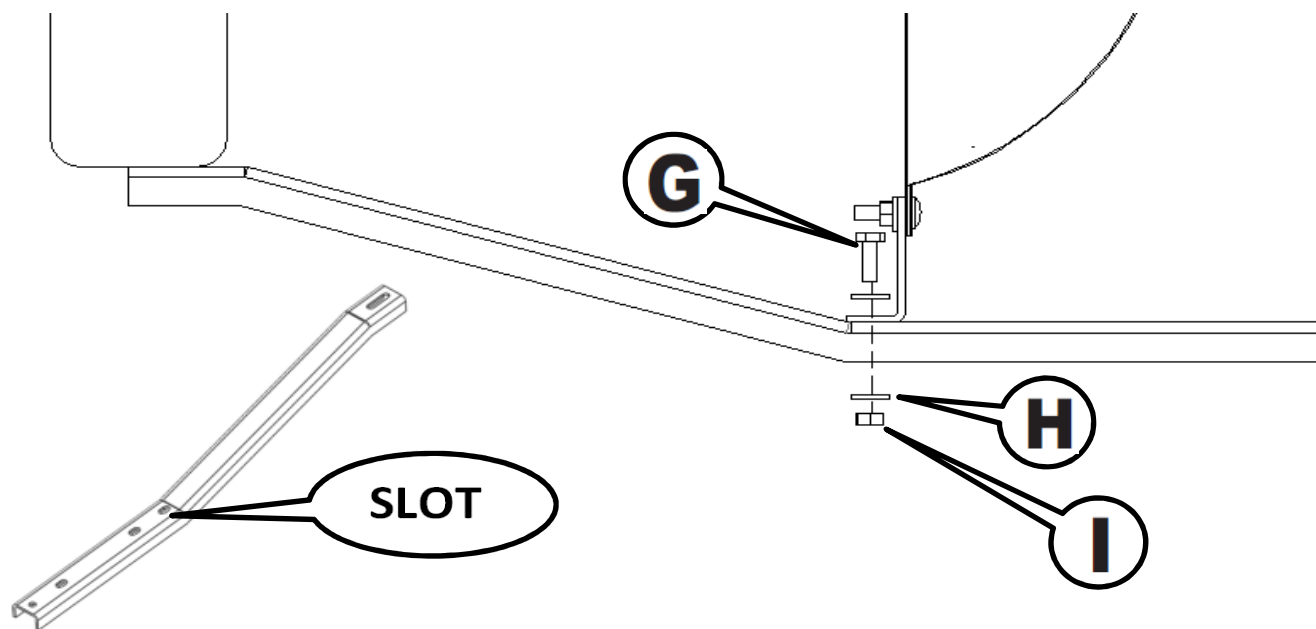
Repeat this for each bracket location.



6

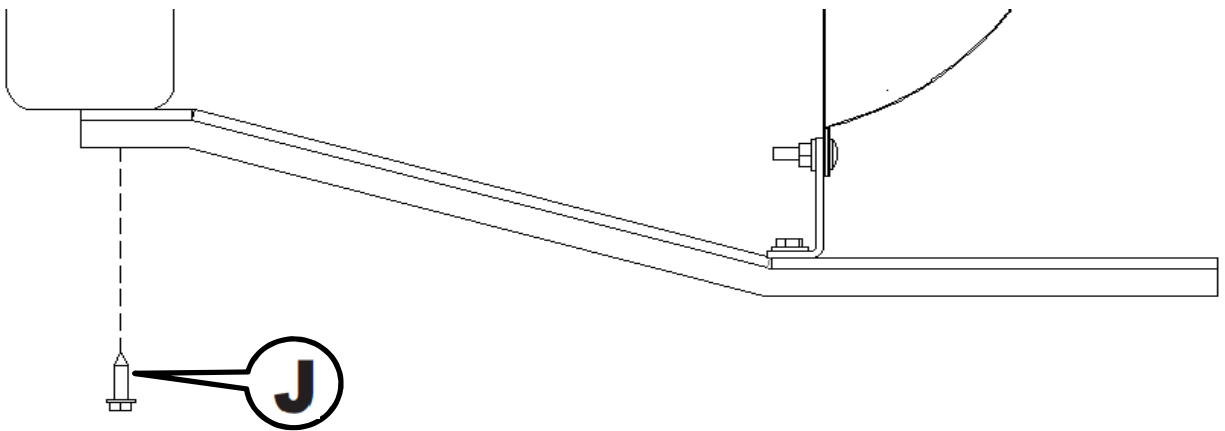
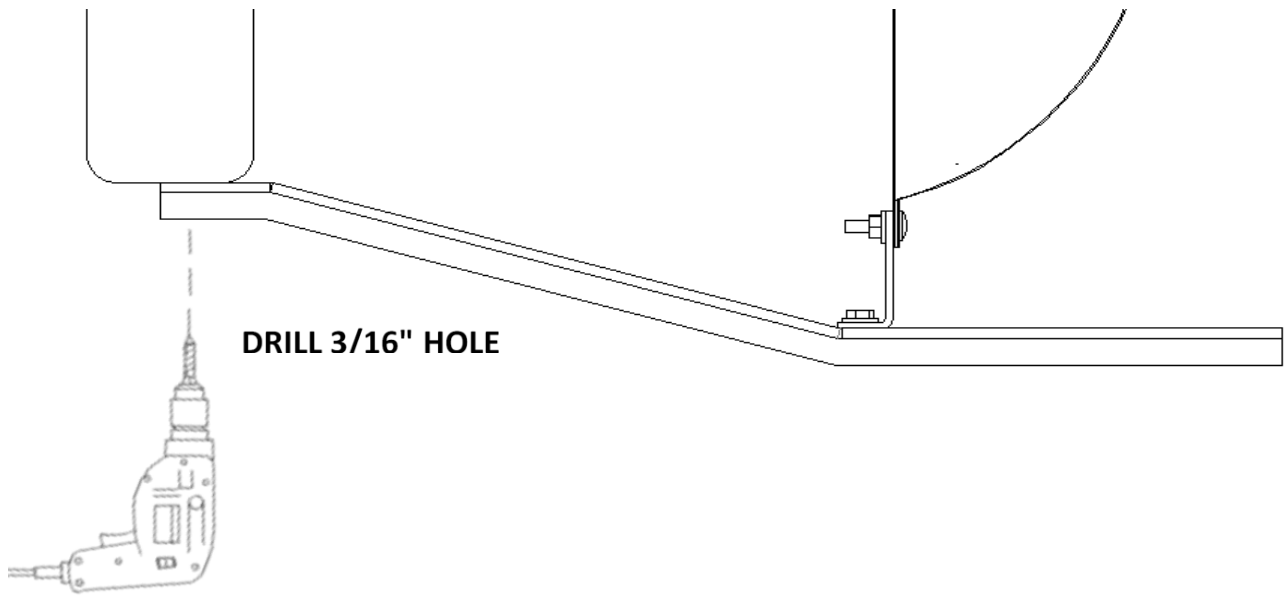
Once the rocker panel brackets are installed, attach the channel braces to the bottom of the brackets through the slot shown in the channel brace using a hex head bolt [G], washer [H], and a nut [I].

Tighten with a 7/16" socket/wrench.



7

Drill a 3/16" hole through the slot in the back of brace into the bottom of the frame.
Attach the channel brace to the frame using a sheet metal screw [J] with a 3/8" socket.



Repeat this step for each bracket location.

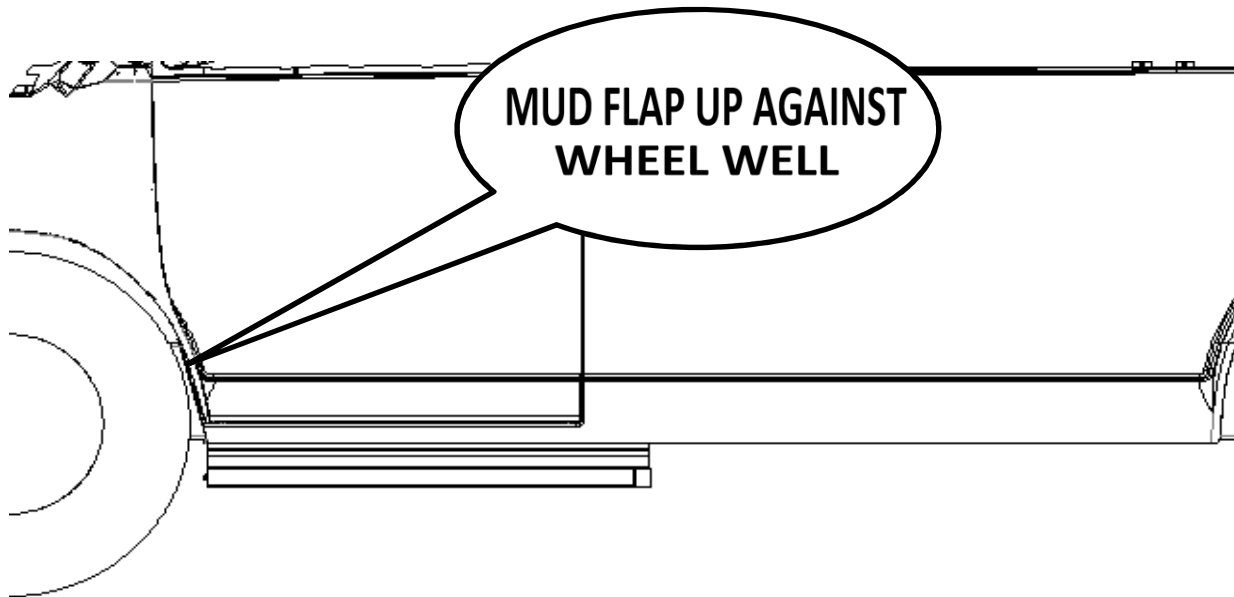
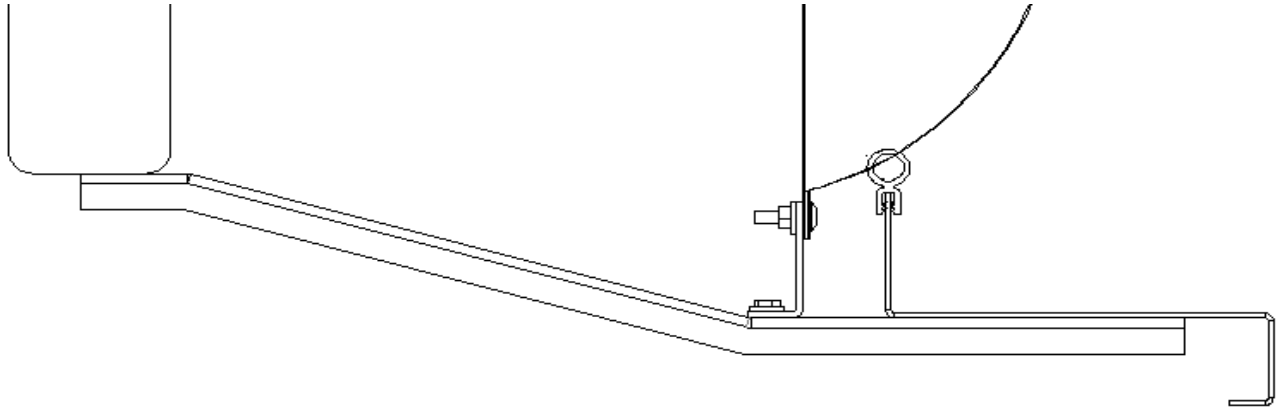
8

Place the running board on the angle braces.

Adjust the board to make sure the flap is up against the inner portion of the wheel well.

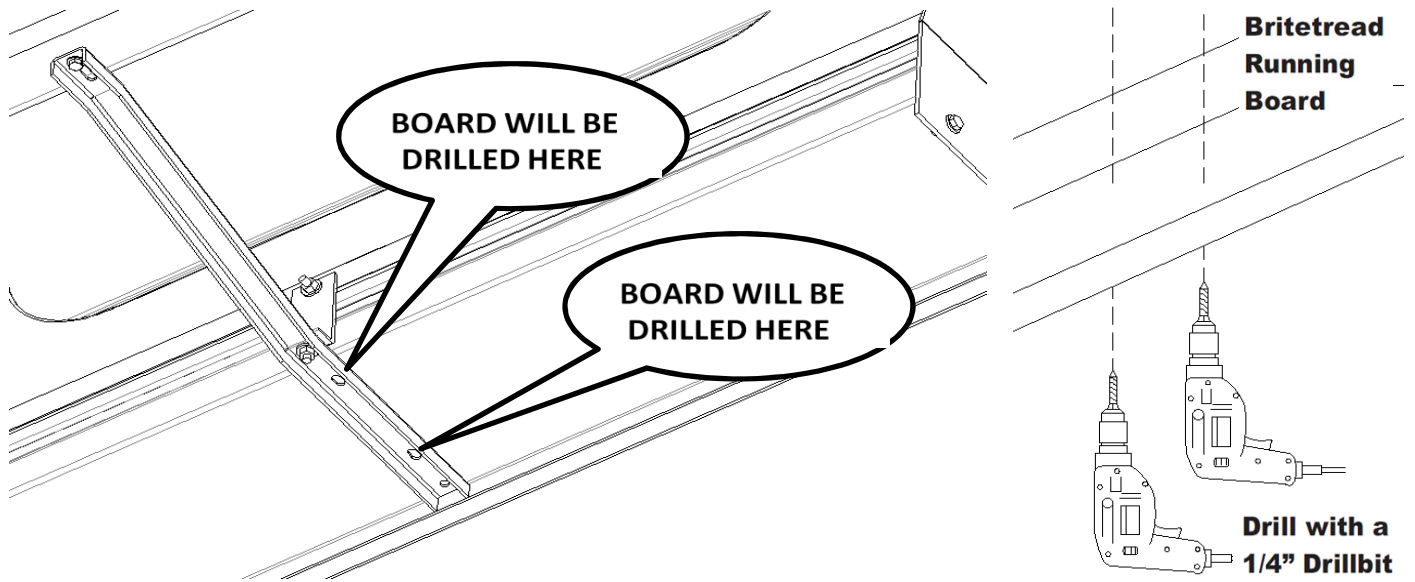
Then adjust the board in/out to make sure it is straight with the vehicle and that the gasket on the backlip is in contact with the rocker panel.

Once the board location is set, clamp the running board to the angle braces.

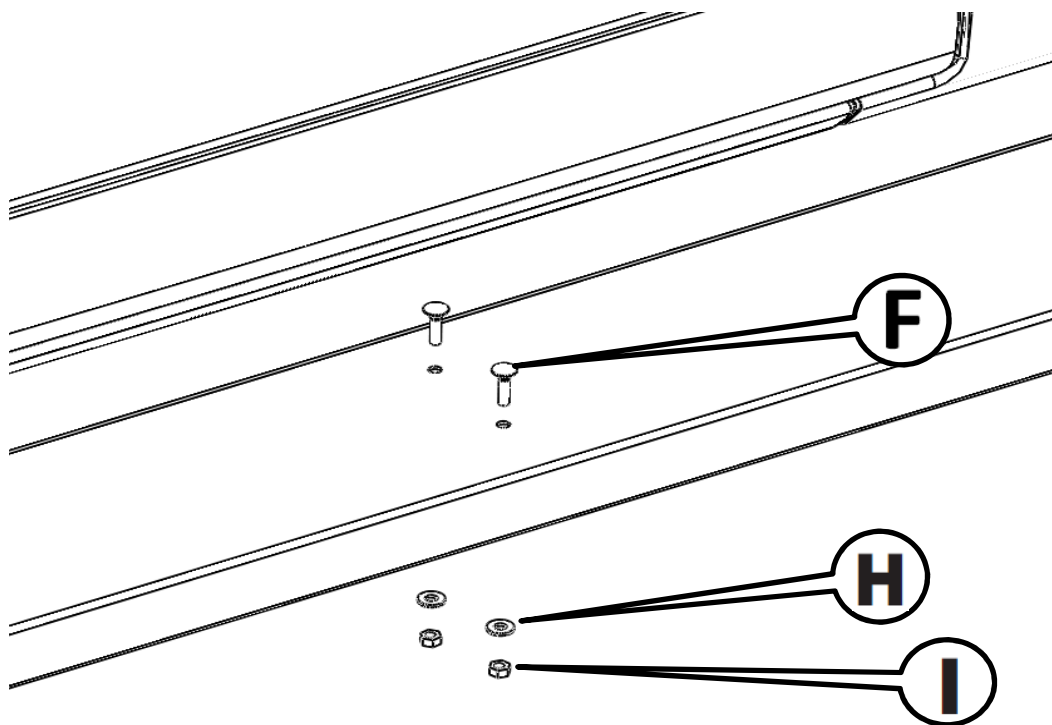


9 Drill 1/4" holes up through the board using the holes shown below.

Repeat this step for each bracket location.

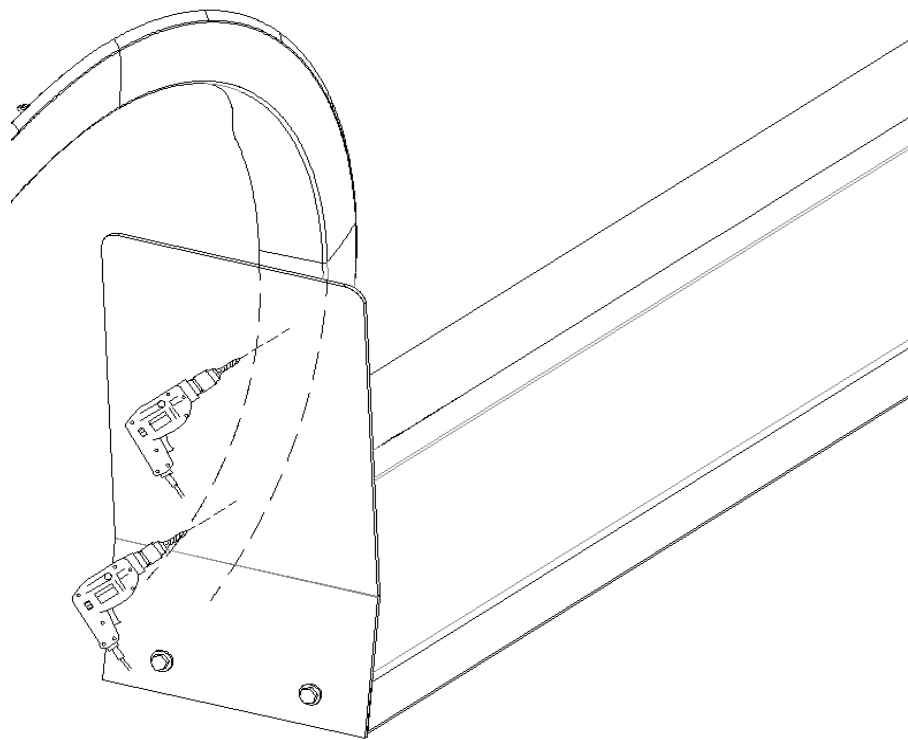


10 Attach the running board to the angle brace using the 1/4" x 1" ribneck carriage bolt [F], 1/4" flat washer [H], and 1/4" hex nut [I]. Tighten using a 7/16" wrench or deep well socket.



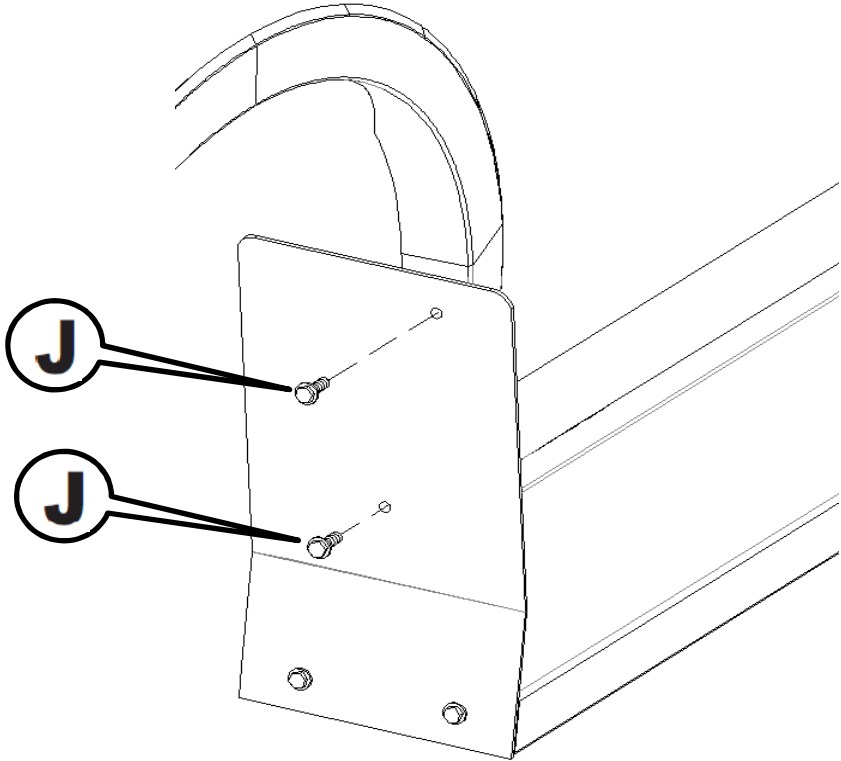
11

Pressing the flap up against the wheel well, drill two 3/16" holes through the hole in the mud flap into the sheet metal of the wheel well. The front tire may need to be turned to allow room to drill.



12

Attach the mud flap to the wheel well using two sheet metal screws [K] with a 3/8" socket.



Check all hardware to make sure it has been tightened.
Repeat the assembly steps for the other side of the vehicle.