



1-800-779-2102

Mon – Thurs: 8:00am - 5:00pm | Friday: 8:00am - 4:00pm CST

**INSPECT YOUR PRODUCT FOR DAMAGE & MISSING
PARTS BEFORE PROCEEDING TO INSTALLATION**

PROCEDURE FOR RETURNS OR MISSING HARDWARE

-PLEASE CONTACT THE ORIGINAL POINT OF PURCHASE FOR:
SHIPPING DAMAGE, RETURNS, OR WARRANTY CLAIMS

-CONTACT DEE ZEE DIRECTLY FOR MISSING PARTS OR HARDWARE

WWW.DEEZEE.COM

REGISTER YOUR PRODUCT ONLINE: www.deezee.com/registration

VIEW INSTRUCTIONS ONLINE: www.deezee.com/instructions

⚠ WARNING: Cancer and Reproductive Harm
www.P65Warnings.ca.gov

Operating, servicing, and maintaining a passenger vehicle can expose you to chemicals such as lead, phthalates, engine exhaust, and carbon monoxide that are known to the State of California cause cancer and birth defects or other reproductive harm. To minimize exposure, service your vehicle and its accessories in a well-vented area and wear gloves or wash your hands frequently.



DEE ZEE, INC. WARRANTY AGREEMENT

Dee Zee, Inc. guarantees the original purchaser a limited lifetime warranty against manufacturer defects in materials, workmanship, and design under normal use, excluding damage resulting from road hazards such as gravel or other debris, product misuse, improper installation, impairments from accidents, product modifications, improper repairs, spills, vandalism, product neglect, or acts of God.

This warranty applies only to the original purchaser of new product(s) and is limited to the replacement of genuine Dee Zee products. Modification of any kind to Dee Zee products voids all warranty coverage. Warranty does not include electrical components, installation, cost of removal, labor, transportation costs, loss of use, inconvenience, or consequential damages.

WARRANTY COVERAGE - MATERIALS & WORKMANSHIP

LIMITED LIFETIME WARRANTY:

- STAINLESS STEEL: Side Steps, Grill Guards, Bull Bars, Bed Caps, and Side Rails
- ALUMINUM: Side Steps, Running Boards, Storage Boxes, Transfer Tanks, Bed Protection, Side Rails, Invis-A-Racks, and Cab Racks
- PLASTIC: Storage Boxes
- OTHER: Front and Rear Bumpers

THREE-YEAR WARRANTY:

- POWDER-COATED / E-COATED STEEL: Side Steps, Running Boards, Storage Boxes, Transfer Tanks, Cab Racks, Sport Bar Ladder Racks, Cargo Carriers, Mounting Brackets (NX, Rough Step, and Bumper Guards only)
- OTHER: Tailgate Assist, Bed Mats, Floor Mats, Auxiliary Fuel Connection Kits, and All Products Not Otherwise Listed Individually

WARRANTY COVERAGE – FINISH PROTECTION

The finish of all Dee Zee products is covered for one-year (1) from the date of purchase. Dee Zee products have a high quality finish that must be cared for and maintained like any other exposed finish on the vehicle. Protect the finish with non-abrasive automotive wax (e.g. Pure Carnauba) on a regular basis. Applying soaps, polishes, or waxes that contain an abrasive compound may scratch the finish and leave the exposed material susceptible to corrosion.

WARRANTY COVERAGE – COMPONENT PARTS

Operational items such as shocks, latches, hinges, and wear items including, but not limited to, mud flaps, step pads, toolbox tray, end caps, hardware, seals, etc. have a one-year (1) warranty. Replacement component parts can be ordered via credit card (MasterCard or VISA) by calling 1-800-779-2102. All replacement parts are non-returnable and non-refundable.

GPI® FUEL PUMPS & ACCESSORIES

All Great Plains Industries (GPI) products, including transfer tank pumps and fuel meters are covered by GPI's warranty policies. Dee Zee's warranty terms do not apply to GPI products. To submit a warranty claim, please contact GPI at 1-800-835-0113 or visit www.gpi.net.

WARRANTY SUBMISSION PROCEDURE

All warranty claims will be initiated at the place of purchase. The original purchaser will be required to present the original sales receipt with purchase date shown and provide photographs of the defect.

In the event the originally purchased product style is no longer available, Dee Zee will warranty the defective part with a current equivalent. If a comparable product is no longer available, the product would be returned to the store of purchase for a refund or the applicable cost difference can be paid to choose an alternate style.

DISCLAIMER

All products are sold as appearance accessories and should not be relied upon as protection for the vehicle or its occupants in the event of an accident. Vehicles equipped with a supplemental restraints system (air bags) deployed by impact and collision avoidance systems should not be modified in any way. Always consult the vehicle manufacturer if you have any questions regarding supplemental restraint systems and sensors.

Buyer must accommodate front and rear sensors during product installation and assumes all risk should these be tampered, rerouted, severed, or disconnected. This includes disabling visual, audio, or vibration alerts into the cab. Buyer assumes all risk and responsibility for wiring any supplemental auxiliary lights.

Buyer assumes all risk, liability, and cost for the installation and use of Dee Zee products. Dee Zee, Inc. assumes no liability for injury, loss, incidental or consequential damages in the event of an accident.

DEEZEE

The Quality Truck Accessory People



DeeZeeMFG

WWW.DEEZEE.COM

QUESTIONS? 1-800-779-2102

REGISTER YOUR TOOL BOX ONLINE: WWW.DEEZEE.COM/REGISTER

⚠ DANGER

- THIS PRODUCT SHOULD BE USED ONLY FOR TRANSPORTING TOOLS, EQUIPMENT, AND SIMILAR MATERIALS.
- DO NOT PUT FLAMMABLES, FUELS, EXPLOSIVES, OR HAZARDOUS MATERIALS IN THIS PRODUCT.
- DO NOT MODIFY THIS PRODUCT AND BEWARE OF INJURY OR DEATH RESULTING FROM MISUSE.
- NEVER ALLOW CHILDREN TO PLAY INSIDE THE BOX AND AVOID PINCH POINTS WHEN CLOSING THE LID.
- BOX MUST BE SECURED TO THE TRUCK BED BEFORE USE AND SHOULD NEVER BE USED TO ANCHOR CARGO.
- BOX IS NOT WATER OR AIR TIGHT. ENSURE FOAM OR RUBBER GASKET IS INTACT TO INHIBIT MOISTURE.
- ALWAYS LOCK THE TOOL BOX. IT SHOULD BE CLEANED REGULARLY WITH A NON-ABRASIVE, MILD DETERGENT.





Thank you for choosing Dee Zee to add function and accessorize your vehicle. Dee Zee has been a staple brand in the truck accessory market since 1977 and we hold a reputation of quality manufacturing based in America's Heartland. Our products are born through careful engineering and backed by industry leading warranty programs. We appreciate the opportunity to serve you and your vehicle!

Review the instruction pages in their entirety to prepare the required tools

Warning: The included J-Bolts must be used during installation to secure the crossover tool box to the truck bed. Do NOT use self-tapping screws on crossover tool boxes. Self-tapping screws can be used only on chest style tool boxes being installed to the truck bed. Premium J-Bolts for crossover tool boxes are available online at www.deezee.com that have more surface area and molded to your truck bed rails. Tie downs designed specifically for Ford aluminum body trucks also are available.

The tool box warranty is void if one of these securing methods is not used.

Note: Dee Zee tool boxes are NOT air tight. An air-tight seal allows condensation to form inside of the box, causing the contents to be susceptible to mold or rust. Dee Zee boxes feature various bulb seals and foam gaskets on the lid to help resist weather elements. Should the weather stripping become damaged, please contact our customer service for replacement options at: **1-800-779-2102**

Tool box locks are provided as a theft deterrent and they should always be engaged to prevent easy access to the contents of your tool box when not in use. Contents stored in the tool box are the responsibility of the user and Dee Zee disclaims responsibility of theft. Dee Zee does not insure any loss of contents.

Cleaning: To be entitled to all warranty rights offered with the product, Dee Zee tool boxes need to be cleaned regularly with a mild detergent. Do NOT use abrasive cleaners. For stainless steel products, the application of a high grade automotive wax is recommended.



Dee Zee Cares - Please Recycle

For an electronic version of these instructions visit: www.deezee.com/instructions

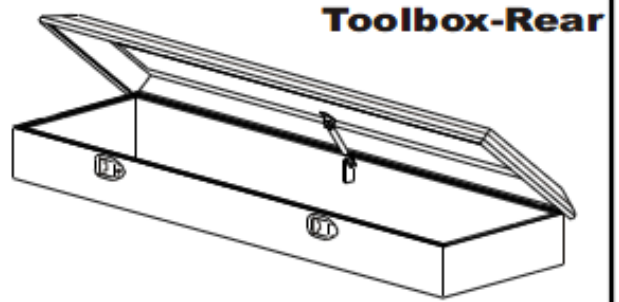
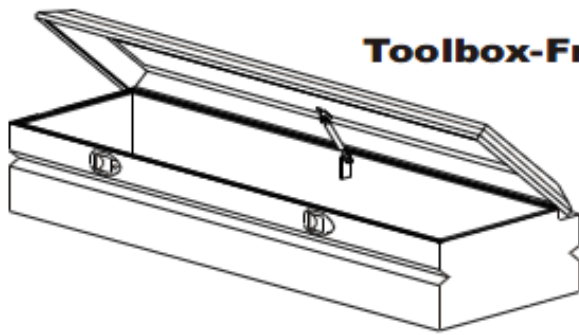
Register your product online: www.deezee.com/registration

Chest Tool Box Installation Instructions

Chest Toolbox: _____

Toolbox lid design may vary from picture with different toolbox models.

La conception de couvercle de boîte à outils peut changer de l'image avec différents modèles de boîte à outils.



A

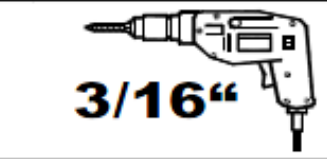
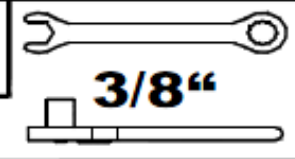
X1

B
1/4 x 1" Sheet
Metal Screw
X4

C
Foam Tape
X2

D
Plastic Plug
X2

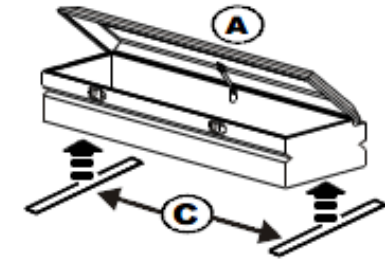
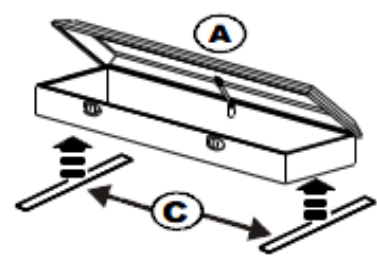
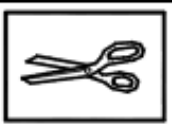
Tools Required:



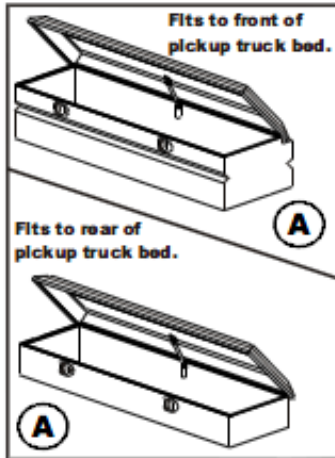
1
Peel backing off of foam tape (C).



2 Place foam gasket (C) onto the bottom of toolbox (A). Trim foam gasket (C) so that it is flush with the ends of toolbox (A).



3

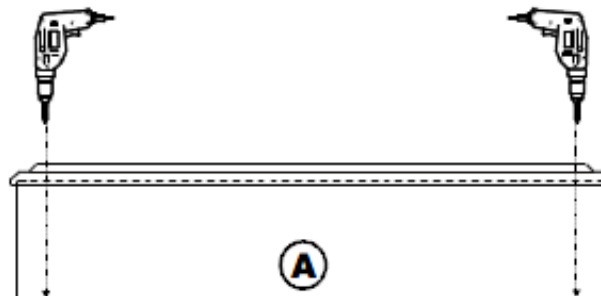
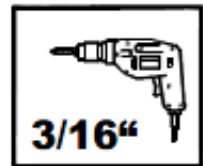


Place toolbox (A) into the back of your pickup truck bed.



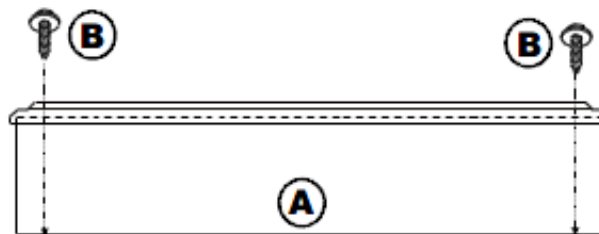
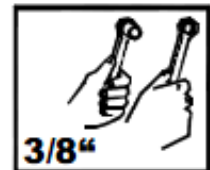
4

Locate the toolbox (A) in the pickup truck bed and then mark four hole locations in the bottom of toolbox (A). Drill a 3/16" hole at each marked hole location.



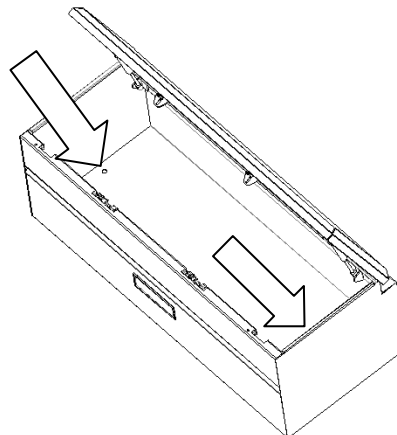
5

Attach toolbox (A) to the pickup truck bed using 1/4 x 1" sheet metal screws (B). Tighten them into place using a 3/8" wrench / or socket.



6

Place plastic plugs (D) into the holes in the bottom of toolbox (A).



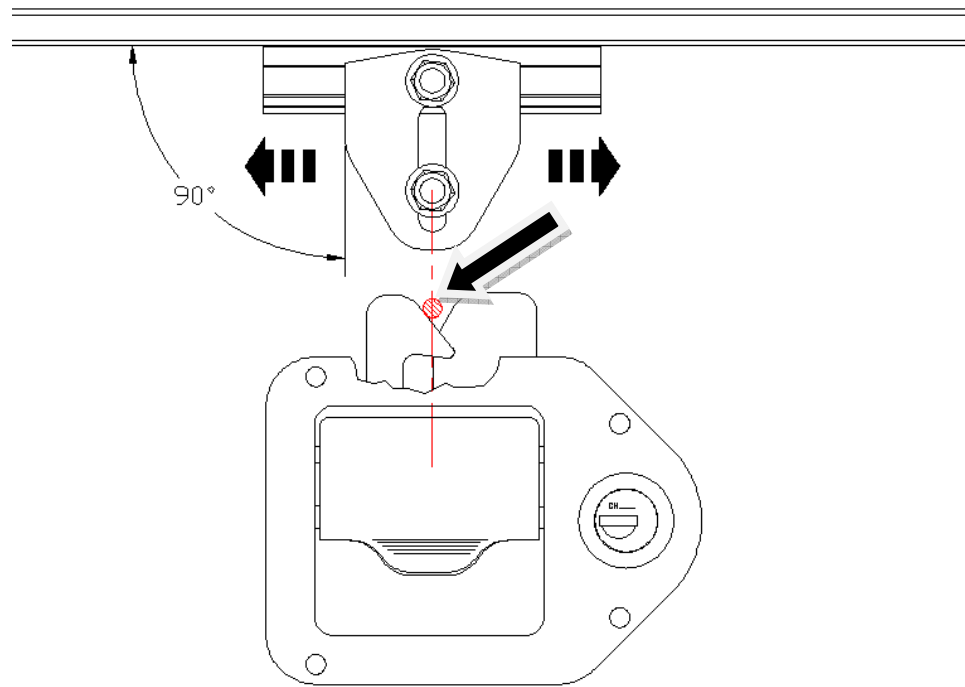
TOOL BOX LATCH ADJUSTMENT

NOTE: TOOL BOX LATCH WAS PRESET AT THE FACTORY. MAKE SURE THE LATCH IS ADJUSTED TO THAT OF YOUR DESIRED SEAL.

ALSO, PERIODIC ADJUSTMENT MAY BE NEEDED OVER TIME.

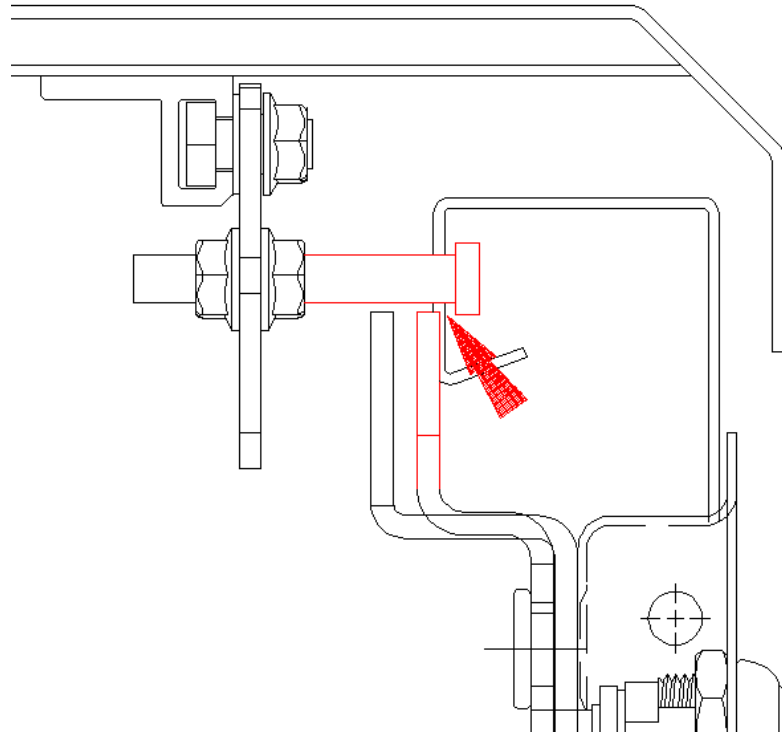
PLEASE REFER TO LATCH ADJUSTMENT INSTRUCTION BELOW.

1. Keeping the striker plate perpendicular to the lid, adjust the striker location left and right to align the pin with the latch as shown below. The dot identified by the arrow shows the preferred location of the striker pin.

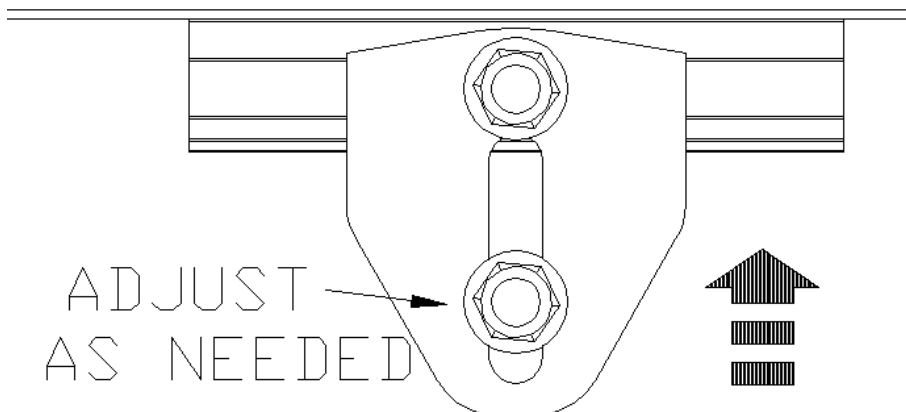
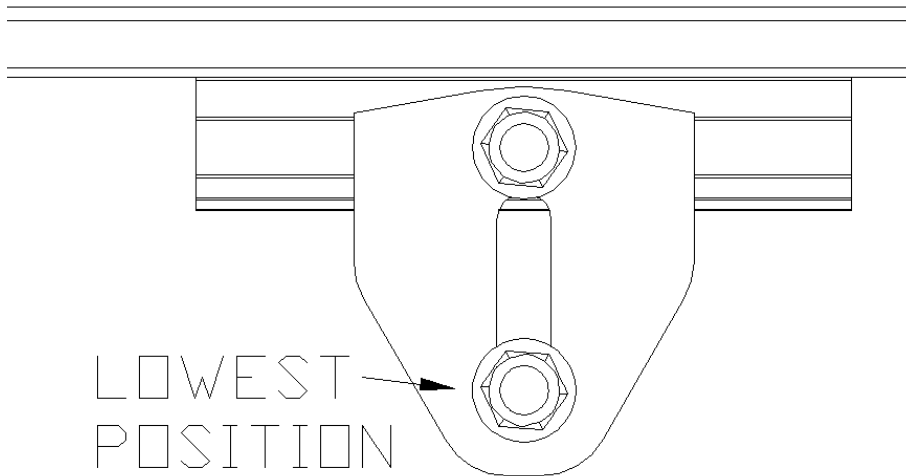


2. When the striker pin is correctly centered, tighten top bolt to set the location.

3. Set the pin depth to ensure that the head will clear the latch.



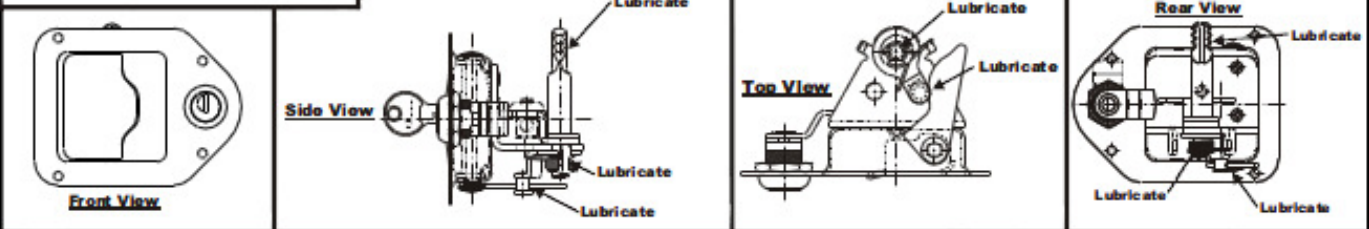
4. Tighten the pin in the lowest location, and close the lid. If the lid is able to move up and down when latched, the latch pin needs adjusted. Adjust the pin up the approximate amount the lid is able to move and retighten.



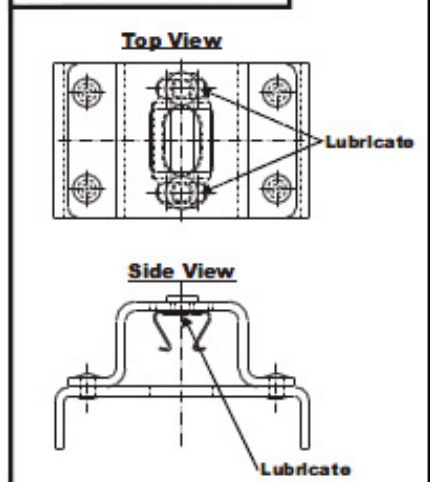
MAINTENANCE INSTRUCTIONS: All locks, latches, latching rods, and hinges should be lubricated regularly to assure smooth and proper operation for the life of the toolbox.

INSTRUCTIONS D'Entretien: Toutes les serrures, verrous, verrouillant des tiges, et des charnières devraient être lubrifiées régulièrement pour assurer l'exécution sans heurt et appropriée pendant la vie de la boîte à outils.

Toolbox Paddle Latch Assembly



Toolbox Catch Assembly



Ever lose your keys? Save Yourself Time and Trouble?

Order some extra keys now and have them when you need them. Please fill out and mail this portion to us. We'll send you a couple of extra keys for your Tool Box for just \$11.00 (American).

Name: _____

Day Phone: _____ - _____ - _____

Address: _____

Method of Payment:
 Cash, Check, or Money Order
 Master Card
 Visa

City, State, Zip: _____

Expiration Date: _____

KEY and LOCK#: _____

Card Number: _____

Please mail form and payment to : Dee Zee, Inc.
 OR P.O. Box 3090
 Fax to: 515-265-7926 Des Moines, IA 50316

CLEANING INSTRUCTIONS: To maintain the luster of your tool box, use a mild detergent.

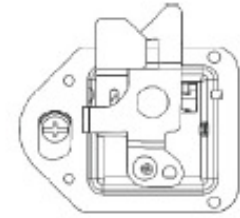
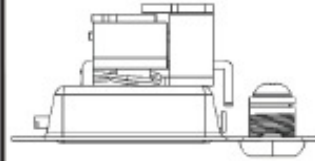
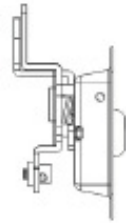
**Locks are provided as a deterrent to inadvertent opening or easy access to the contents of your toolbox. Contents stored in the toolbox are the responsibility of the user.

After drilling, it is recommended that a sealant or rust inhibitor be placed around all holes drilled into the body panel of the vehicle.

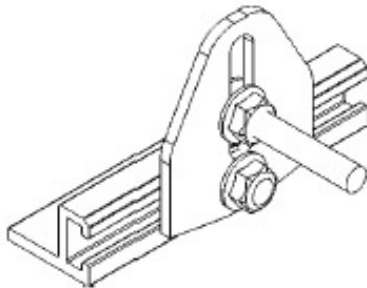
If you should incur any problems with the installation of this product, please feel free to call us at 1-800-779-8222. So that we may better serve you when you call, please have the W/O#, SEQUENCE#, and the DATE from the label on the outside of the box.

Replacement Parts for Toolbox

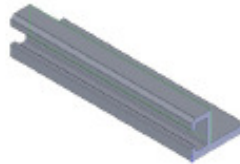
Toolbox Hook-Paddle Latch Assembly



Toolbox Hook-Catch Assembly



C-Channel Extrusion
Part Number: B 1602



Rotary Plate - Adjustable Latch
Part Number: B 1601



1/4-20 Hex Head Cap Screw
Part Number: PN 70B



1/4-20 Threaded Stud
Part Number: PN 810



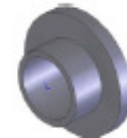
1/4-20 Flange Locknut Zinc
Part Number: PN 178



1/4-20 Nylon Locknut Ultra
Part Number: PN 341B



Nylon Standoff
Part Number: PN 860



Pushbutton - Blue Series

Spacer Brace for Push Button
Part Number: B 1623



Adjustable Latch
Part Number: B 1610



Carburetor Clip 7R
Part Number: LCC-2



Mounting Bracket
Part Number: B 1625



Shock Mount
Part Number: SL-69



Nylon Bushing
Part Number: PN 116



5/16-18 Nylon Insert Locknut
Part Number: PN 510



10 x 1/2 Square Pan Self Drill
Part Number: PN 872



Push Latch
Part Number: TB 85623



Rotary Latch
Part Number: TB 85624



Rod End Adaptor
Part Number: TB 85626

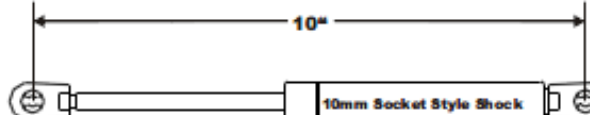


Replacement Parts for Toolbox Cont.

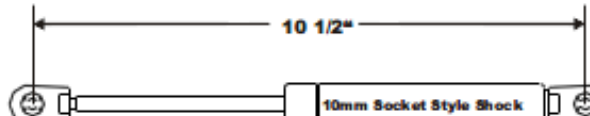
Shocks



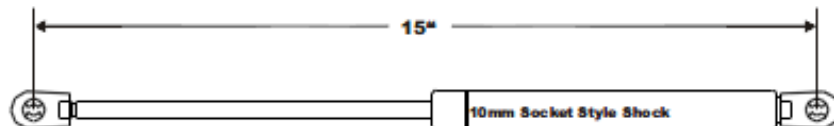
Blade Style Shock			
Shock #	20#	40#	70#
Part Number	SL1-20	SL1-40	SL1-70



10mm Socket Style Shock			
Shock #	20#	40#	70#
Part Number	SL-3020	SL-3040	SL-3070



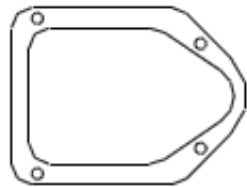
10mm Socket Style Shock					
Shock #	20#	40#	60#	80#	100#
Part Number	SL-3220	SL-3240D	SL-3260D	SL-3280D	SL-32100D



10MM Socket Style "Long" Style Shock		
Shock #	90#	40#
Part Number	SL-3390	SL-3340

Miscellaneous Parts

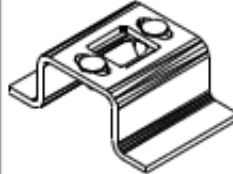
Foam Latch Gasket
Part Number: TB85409



Shock Clip
Part Number: SL-81



Striker Assembly
Part Number: TB85616



Shock Mount Nut
Part Number: PN 301



Latch Cover Rivet
Part Number: PN 285



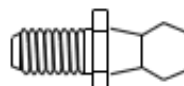
Latch Rivet
Part Number: PN 157



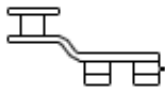
Hinge Rivet
Part Number: PN 762



Shock Mount
Part Number: SL-69



Rod Clip
Part Number: LCC-1



Rod Guide
Part Number: TB85615



1/4" Flat Washer
Part Number: PN 72B



1/4 x 1" Sheet Metal Screw
Part Number: PN 97B



1/4 x 1" Sheet Metal Screw
Part Number: PN 97



1/4 x 1" Button Head Screw
Part Number: PN 96B



1/4" Locknut
Part Number: PN 341B



Mounting Bracket
Part Number: TBBRACE1



Divider Mounting Channel
Part Number: TB-Channel



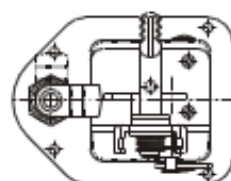
Toolbox Divider
Part Number: TB-Divider



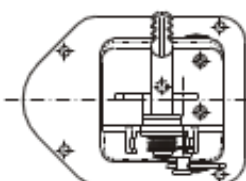
Toolbox Divider Tape
Part Number: CO-tape



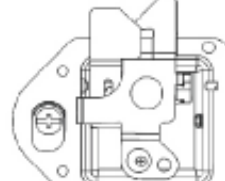
Rear View: Locking Latch
Part Number: TB85613



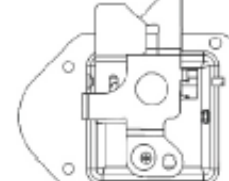
Rear View: Non-Locking Latch
Part Number: TB85614



Rear View: Locking Hook
Part Number: Tb85608



Rear View: Non-Locking Hook
Part Number: Tb85608



Ordering Replacement Parts:

Ordering replacement parts for your toolbox is fast, convenient, and easy. Just call our customer service phone number at 1-800-779-2102 for pricing and ordering information. Please provide the customer service representative with the part number from the above parts list.