



16573891
Edition 8
January 2022

Random Orbital Sander

4151 and 4152 Series

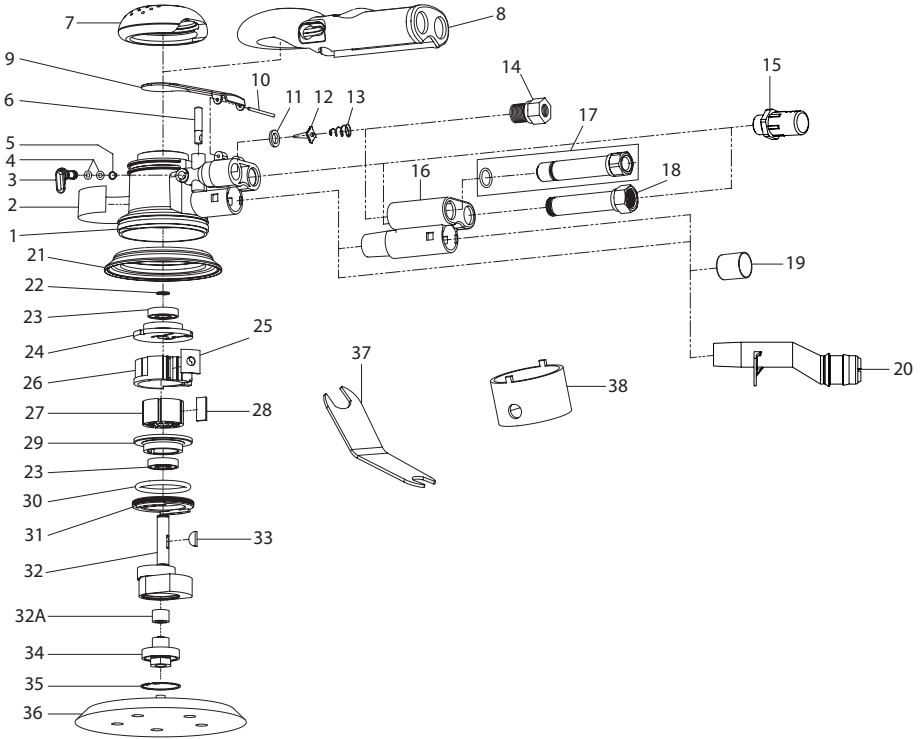
Parts Information



Save These Instructions

 **Ingersoll Rand**[®]

4151 and 4152 Series, Random Orbital Sander - Exploded View



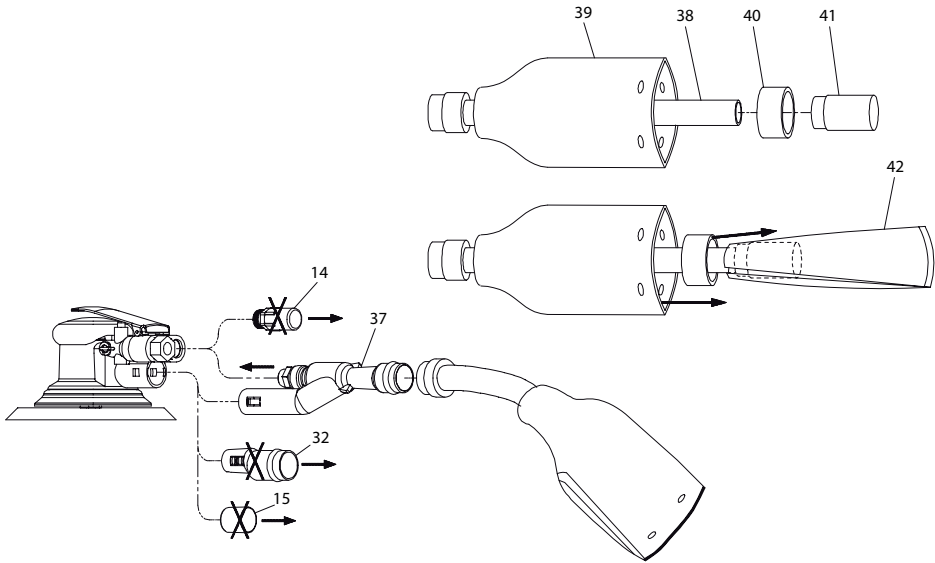
(Dwg. TPA1659-6)

4151 and 4152 Series, Random Orbital Sander - Parts List

Item	Part Description	Part Number	Item	Part Description	Part Number
1	Housing Assembly	04700753	21	Shroud	
2	Label		21	Black	04648887
	4151	04648663		Red	4151-727
	4151-2	89947766	22	Snap Ring	04648762
	4152	4152-301	23	Ball Bearing	04648812
	4151-5	4151-5-301	24	Rear End Plate	04648945
	3M-4151G-LP	3M-4151G-301	25	Cylinder Seal	04649042
	3M-4151-LP	3M-4151-301	26	Cylinder Assembly	04649976
3	Regulator Assembly	4151-A165	27	Rotor	04648820
4	O-Ring	4151-65	28	Vane Pack (set of 5)	48254-42-5
5	Snap Ring	4151-797	29	Front End Plate	04648929
6	Valve Stem	04648770	30	O-Ring	04649133
7	Grip Ring	4151-747B	31	Lock Ring	04648853
8	Grip Ring		32	Counterbalance Assembly	
	4151-2	4151-2-747BLK		4151 Series (3/16")	04653333
	3M-4151G-LP	3M-4151G-747		4152 Series (3/32")	89941470
	3M-4151-LP	3M-4151-747		4151-5	49797
9	Lever	04655478	32A	Needle Bearing	04649000
10	Spring Pin	04649117	33	Key	04648754
11	Valve Seat	04648804	34	Spindle Assembly	04649984
12	Tip Valve	04648796	35	Retaining Ring	04649091
13	Spring	04648747	36	Sanding Pad	
14	Inlet Adapter	04649083		6" Pad - Vacuum Ready (Vinyl)	VPAD-6
15	Muffler Assembly	4151-A810		5" Pad - Vacuum Ready (Vinyl)	49096-1
16	Extension (4151-2)	4151-2-307		6" Pad - Vacuum Ready (H & L)	VPAD-6HL
17	Inlet Bushing (4151-2)	4151-2-565	37	Pad Wrench	04648739
18	Exhaust Bushing (4151-2)	4151-2-566	*38	Motor Wrench	48869
19	Port Plug	04649059			
20	Vacuum Adapter (cuff size)				
	25 mm (1")	4151-A809A-25			
	28 mm (1-1/8")	4151-A809A-28			
	32 mm (1-1/4")	4151-A809A-32			

* Indicates not illustrated.

4151 and 4152 Series, Random Orbital Sander - Exploded View



(Dwg. TPC675-2)

4151 and 4152 Series, Random Orbital Sander - Parts List

Item	Part Description	Part Number	Item	Part Description	Part Number
37	Eductor Assembly	49976	41	Bag Adapter	49979
38	Hose	49982	42	Disposable Bags (20 required)	49988
39	Cloth Cover Bag	49997	43	Disposable Bags (250 required)	49987
40	Collar	49986			

Parts and Maintenance

When tool life has expired, it is recommended that the tool be disassembled, degreased and parts separated by material for proper recycling.

Tool repair and maintenance should only be carried out by an authorized Service Center.

Refer all communications to the nearest **Ingersoll Rand** office or distributor.

Related Documentation

Manuals can be downloaded from ingersollrand.com

For additional information, refer to:

Product Safety Information Manual 04580387

Product Information Manual 04576005

Notes:

Notes:

Notes:

[ingersollrand.com](https://www.ingersollrand.com)

© 2021 *Ingersoll Rand*

