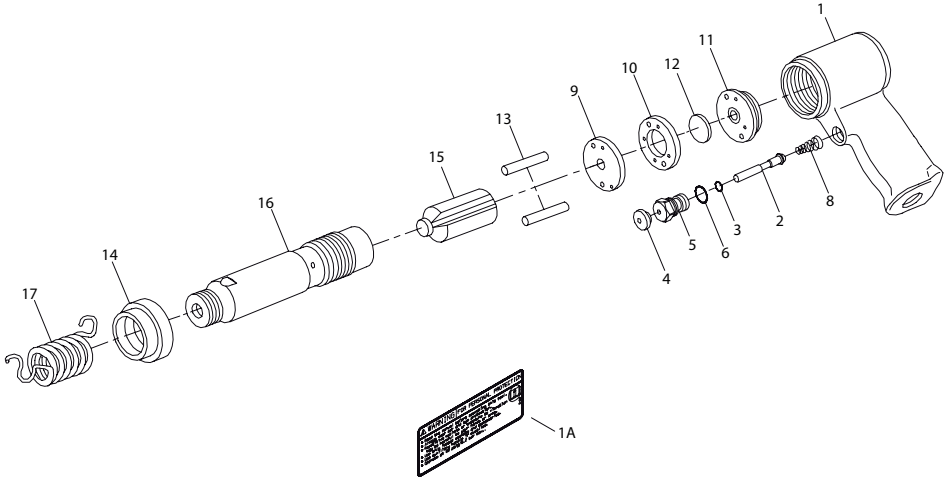


121 Series, Air Percussive Hammer - Exploded View



(Dwg. TPC507)

121 Series, Air Percussive Hammer - Parts List

Item	Part Description	Part Number	Item	Part Description	Part Number
1	Offset Handle Assembly	MC10B-A59	10	Valve Spacer	MC121-8
1A	Warning Label	WARNING-6-99	11	Valve Cap	MC121-4
	Throttle Valve Assembly	MC10B-A302	12	Valve	MC121-2
2	Throttle Valve	MC121-302	13	Dowel Pin (2)	MC121-32
3	Throttle Valve Face	R00B1-159	14	Exhaust Deflector	AV11-85
4	Throttle Valve Button	R00AR2C-305A	15	Piston	MC121-5
5	Throttle Valve Bushing Assembly	MC10B-A503	16	Barrel	
6	Throttle Valve Bushing Seal	R000BR-210		for 121 & 121-EU	NMC121-6
8	Throttle Valve Spring	508-51		for 121/QH-EU	MC121H-6
9	Valve Seat	MC121-3	17	Quick-Change Tool Retainer	AVC10-183A

Parts and Maintenance

When tool life has expired, it is recommended that the tool be disassembled, degreased and parts separated by material for proper recycling.

Tool repair and maintenance should only be carried out by an authorized Service Center.

Refer all communications to the nearest **Ingersoll Rand** office or distributor.

Related Documentation

Manuals can be downloaded from [ingersollrand.com](https://www.ingersollrand.com)

For additional information, refer to:

Product Safety Information Manual 04581450

Product Information Manual 16574170