

RB709U-NB

Relay Output Universal Receiver Owner's Manual

Designed to work with most brands of gate and door openers.



The RB709U-NB digital receiver is a wireless radio control designed for use with automated gate openers and garage door openers. The receiver has two channels for receiving signals from two activation devices; i.e. transmitters, multi-button transmitters, wireless keypads, etc.



Printed in China for GTO - Gates That Open, LLC rev-090810

www.gtoaccess.com

Specifications

Compatible transmitter:

- GTO gray narrow band transmitters (318MHz)

Power input:

- 8-24 V ac/dc, 10ma standby, 40ma activated (Red & Black wires).

Outputs: 2 channels pulsed outputs

- 2 channels dry-contact normally open relay outputs.
- Channel 1: Blue (N/O Contact) & Green (COM) wires.
- Channel 2: Yellow (N/O Contact) & Brown (COM) wires.
- Activated for .5 seconds when the correct transmitter code is received.
- Relay switching maximum rating: 24Vac/dc @ 1A.
- Operating Range 50 to 100 feet (15.2 to 30.5 m)

Indoor/Outdoor compatible.

Mount receiver at least 3 feet from AC power source.

FCC Regulation

This device complies with FCC rules Part 15. Operation is subject to the following conditions:

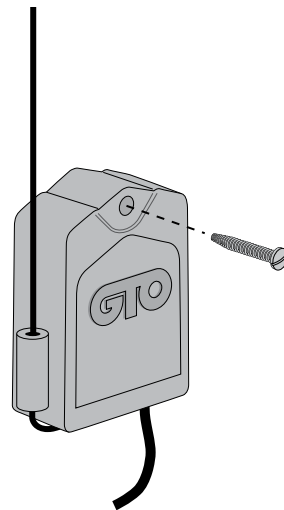
1. *This device may not cause harmful interference.*
2. *This device must accept an interference that may cause undesired operation.*

Transmitter distance may vary due to circumstances beyond our control. NOTE: The manufacturer is not responsible for any radio or TV interference caused by unauthorized modifications to this equipment. Such modifications could void the user's authority to operate the equipment.

Mounting the Receiver

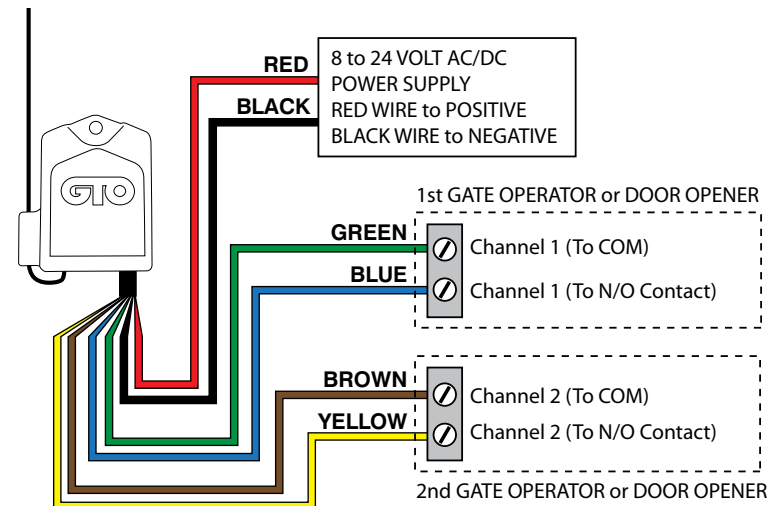
Consider the following when mounting the receiver:

- Standard receiver cable length is 10 feet (3.05 m).
- For exterior applications run the cable through PVC conduit to protect it from damage.
- DO NOT run cable in conduit containing ac wiring.
- The receiver range can vary from 50 to 100 feet (15.2 to 30.5 m) depending upon weather, topography, and external interference.



NOTE: Do not mount upside down.

Connect Receiver to Relay Inputs and Power



Programming the Receiver

Programming transmitter(s) or other access devices to RB709U-NB receiver:

- Press and hold the transmitter (device) button to be learned.
- Press the 'LEARN CH1' (or 'LEARN CH2') button on the RB709U-NB receiver for 1-2 seconds or until the red LED turns on, then release the button.
- Note: When the correct code is received and the corresponding relay output is activated, the red LED will turn on.

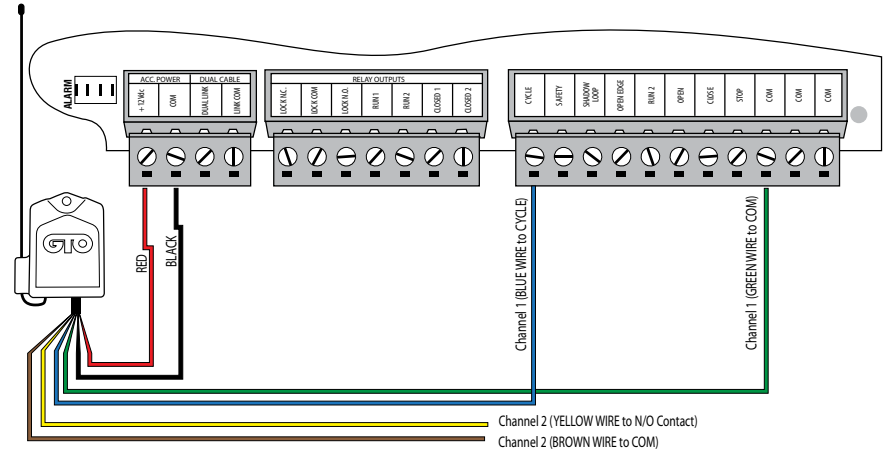


Check operation after programming:

- Press Transmitter (device) button, #1 - RED LED blinks once to confirm.
- Press Transmitter (device) button, #2 - RED LED blinks twice to confirm.

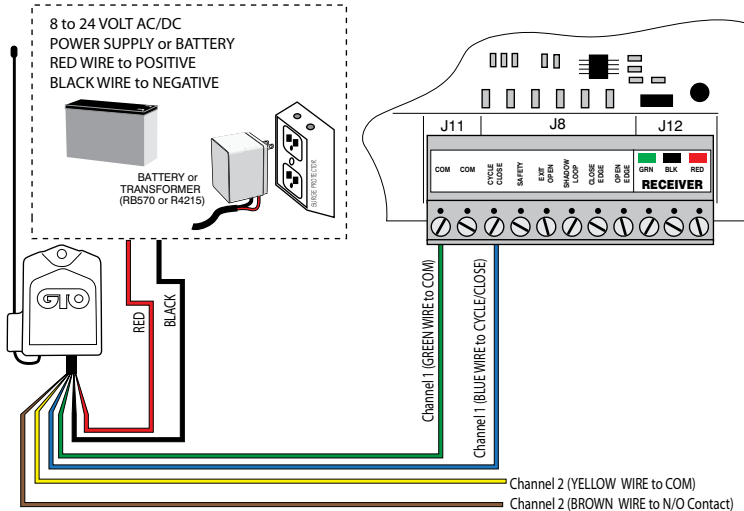
Wiring Receiver to GTO GP-SL100 & GP-SW100 Operators

GTO GP-SL100 and GP-SW100 Control Board



Wiring Receiver to GTO DC Operators

Typical GTO DC powered gate operators.
GTO 2000XL, 3000XL, 4000XL, and Mighty Mule 500



Wiring Receiver to Common Gate and Door Openers

Connects to most garage door openers the same as a remote push button.

